

US00D871455S

(12) **United States Design Patent**
Crowsley

(10) **Patent No.:** **US D871,455 S**

(45) **Date of Patent:** **** Dec. 31, 2019**

(54) **FLUID PUMP**

(71) Applicant: **Watson-Marlow Limited**, Cornwall (GB)

(72) Inventor: **David Crowsley**, Cornwall (GB)

(73) Assignee: **Watson-Marlow Limited**, Cornwall (GB)

(**) Term: **15 Years**

(21) Appl. No.: **29/622,782**

(22) Filed: **Oct. 19, 2017**

(30) **Foreign Application Priority Data**

Apr. 20, 2017 (EM) 003864727

(51) **LOC (12) Cl.** **15-03**

(52) **U.S. Cl.**
USPC **D15/7**

(58) **Field of Classification Search**
USPC D15/7-9; D23/225, 231, 232
CPC F02M 37/04; F02M 37/14
See application file for complete search history.

(56) **References Cited**

U.S. PATENT DOCUMENTS

D730,408 S *	5/2015	Brokenshire	D15/7
D745,569 S *	12/2015	Robinson	D15/7
D777,792 S *	1/2017	Goodier	D15/7
D805,558 S *	12/2017	Agostini	D15/7
D826,281 S *	8/2018	Mead	D15/7
D844,671 S *	4/2019	Walmsley	D15/7

* cited by examiner

Primary Examiner — Khawaja Anwar

(74) *Attorney, Agent, or Firm* — Honigman LLP

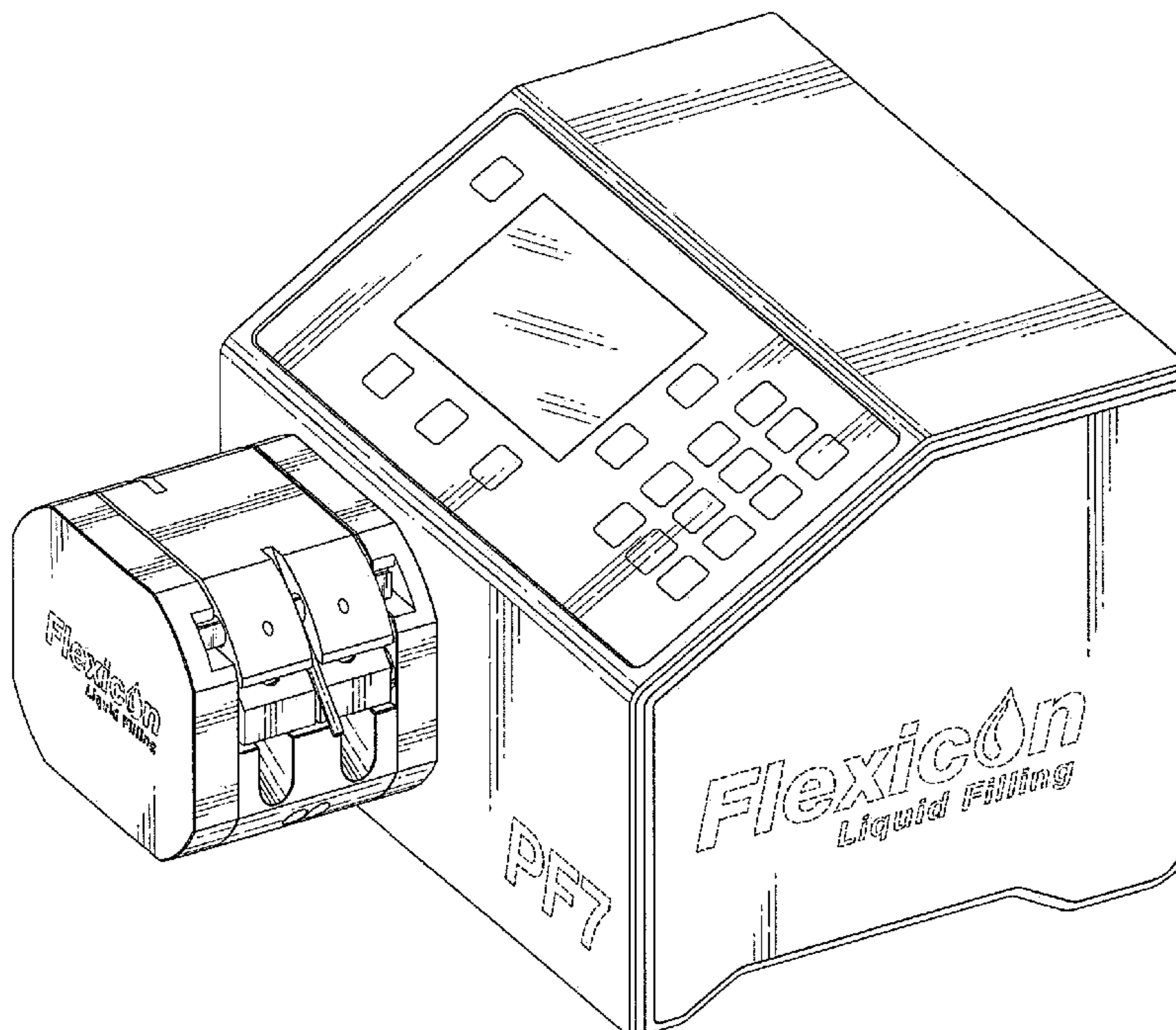
(57) **CLAIM**

The ornamental design for a fluid pump, as shown and described.

DESCRIPTION

FIG. 1 is a front/right side isometric view of a first embodiment of the fluid pump of the present invention;
 FIG. 2 is a front elevational view of the fluid pump of FIG. 1;
 FIG. 3 is a rear elevational view of the fluid pump of FIG. 1;
 FIG. 4 is a left side elevational view of the fluid pump of FIG. 1;
 FIG. 5 is a right side elevational view of the fluid pump of FIG. 1;
 FIG. 6 is a top view of the fluid pump of FIG. 1;
 FIG. 7 is a bottom view of the fluid pump of FIG. 1;
 FIG. 8 is a second embodiment of the fluid pump of the present invention;
 FIG. 9 is a front elevational view of the fluid pump of FIG. 8;
 FIG. 10 is a rear elevational view of the fluid pump of FIG. 8;
 FIG. 11 is a left side elevational view of the fluid pump of FIG. 8;
 FIG. 12 is a right side elevational view of the fluid pump of FIG. 8;
 FIG. 13 is a top view of the fluid pump of FIG. 8; and,
 FIG. 14 is a bottom view of the fluid pump of FIG. 8.

1 Claim, 14 Drawing Sheets



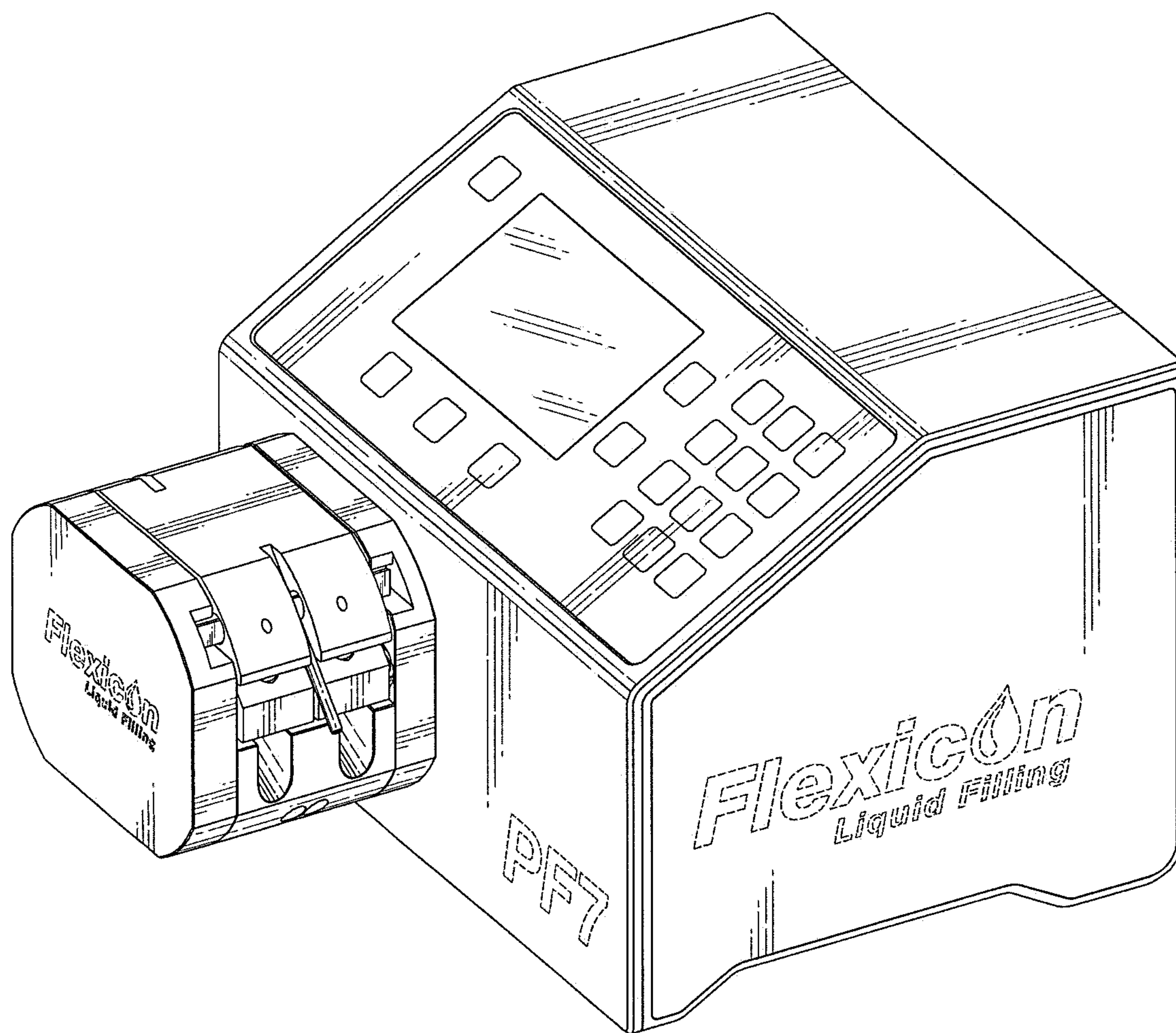


FIG. 1

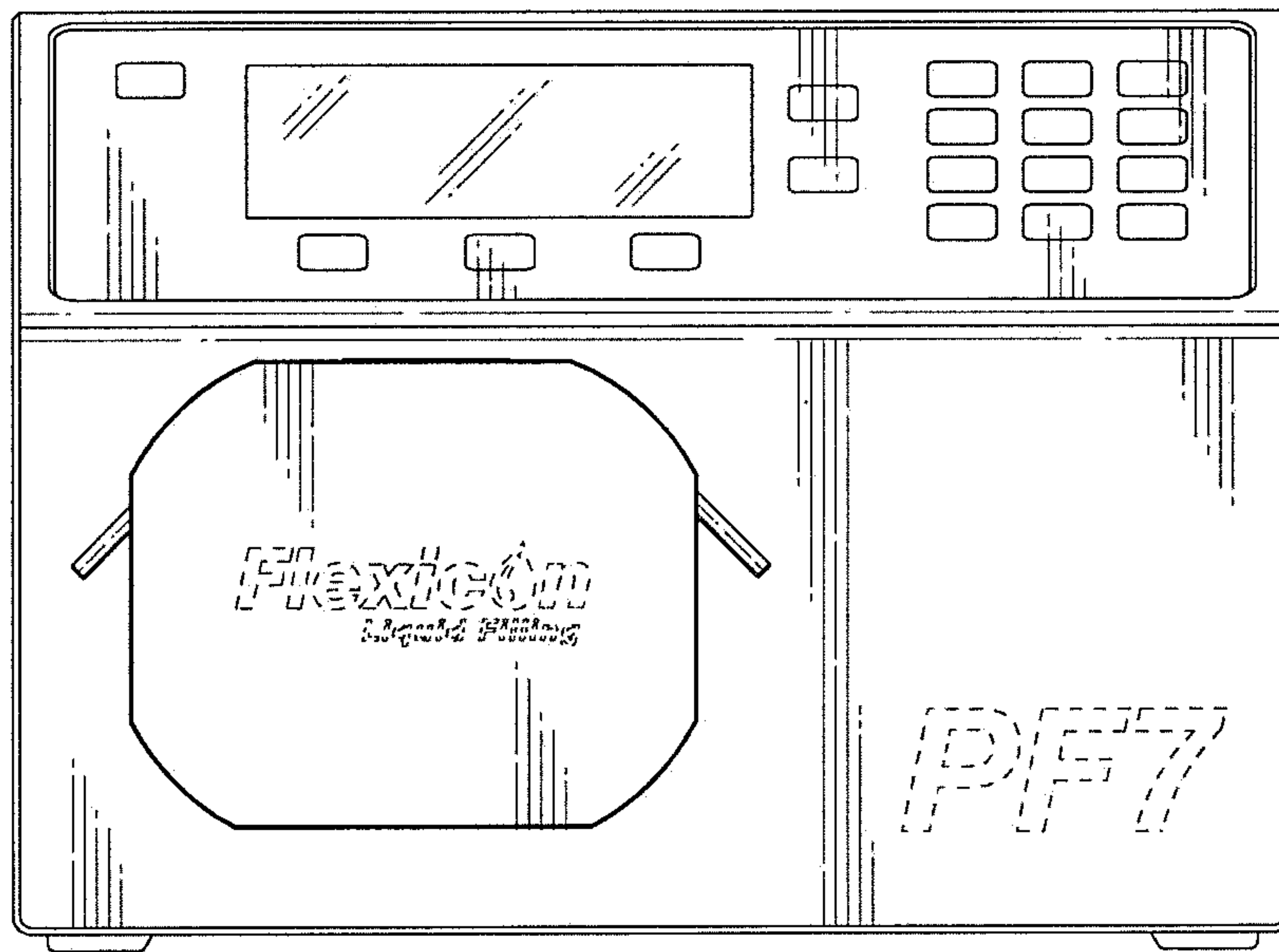


FIG. 2

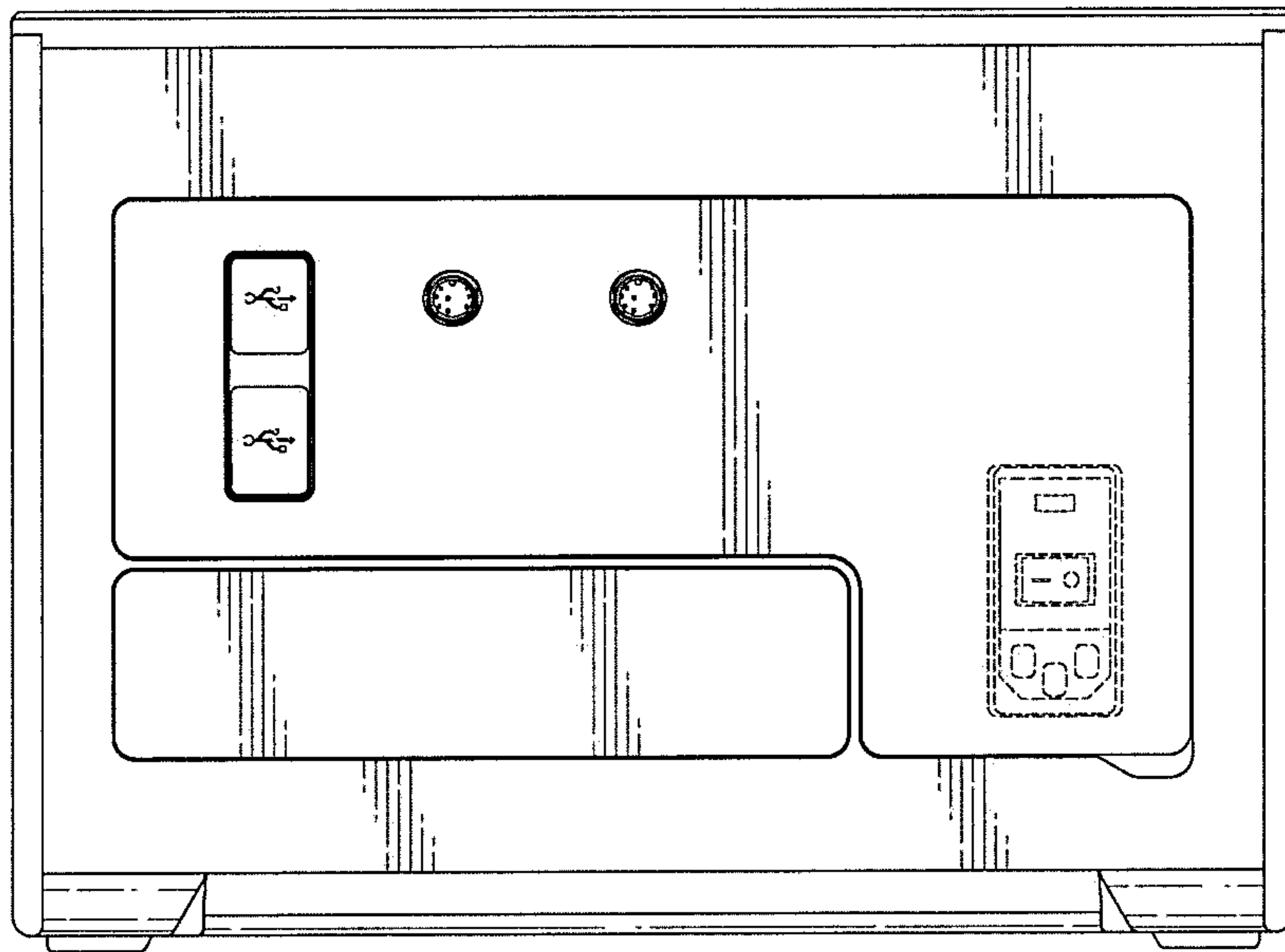


FIG. 3

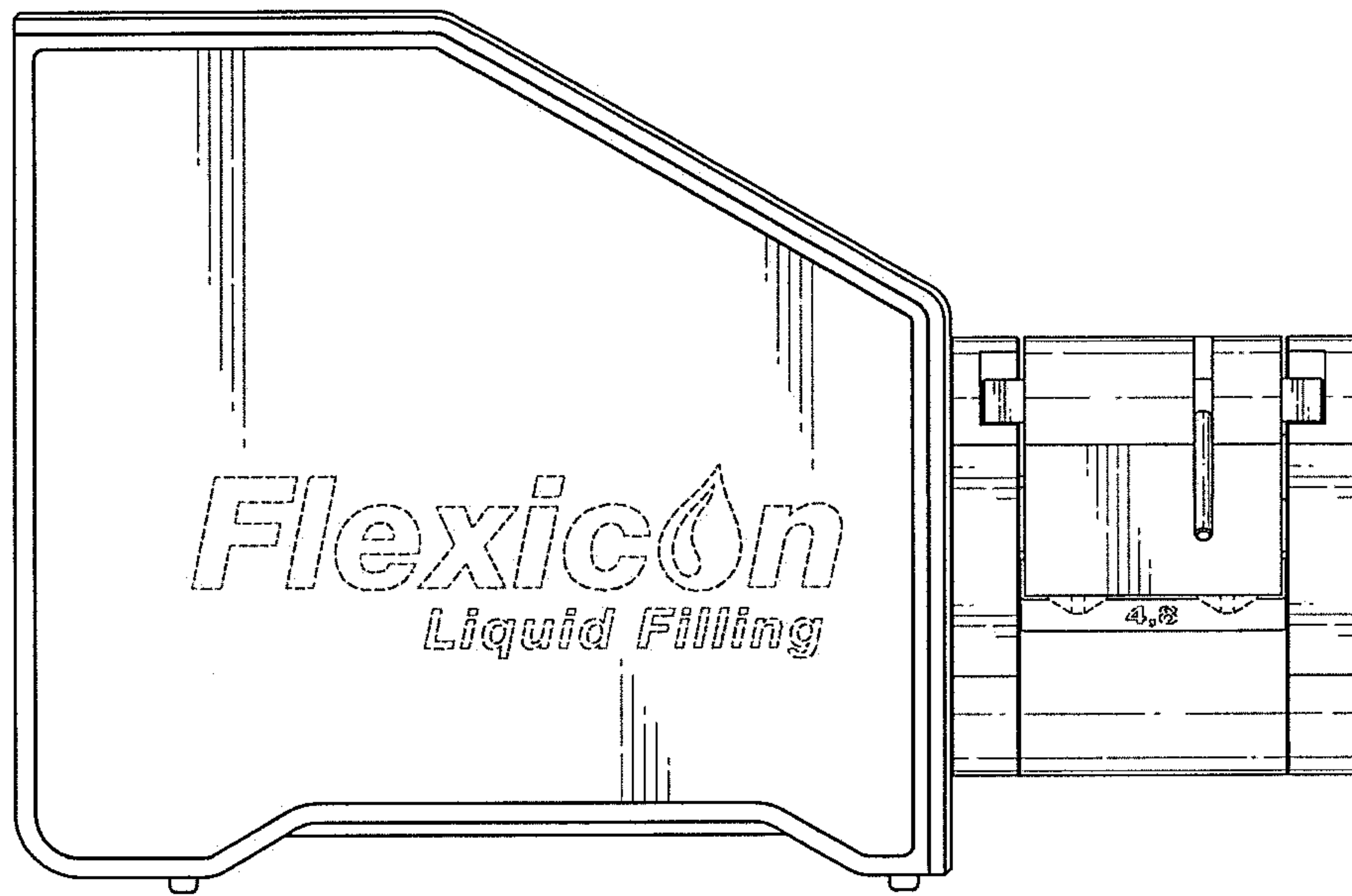


FIG. 4

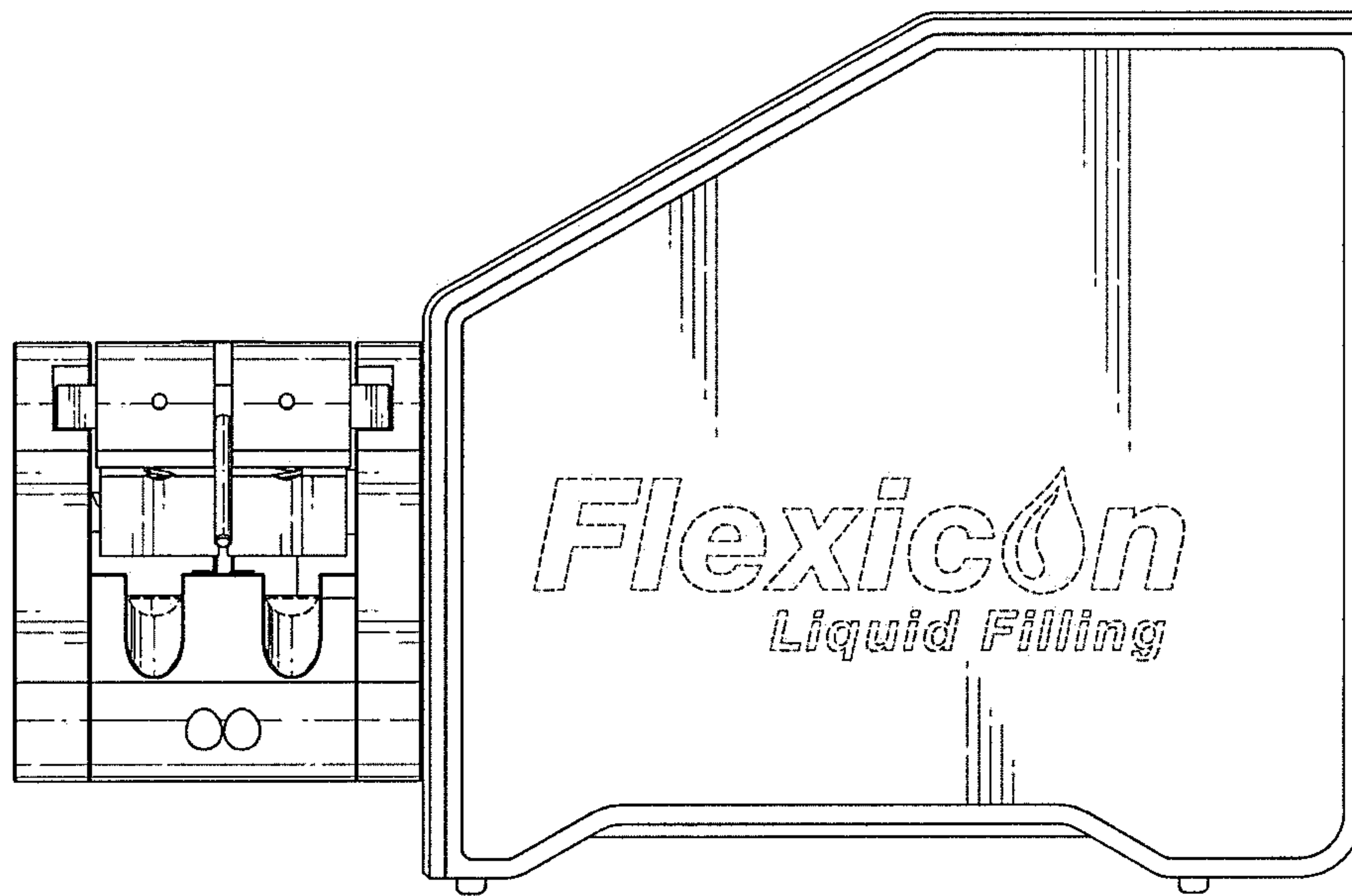


FIG. 5

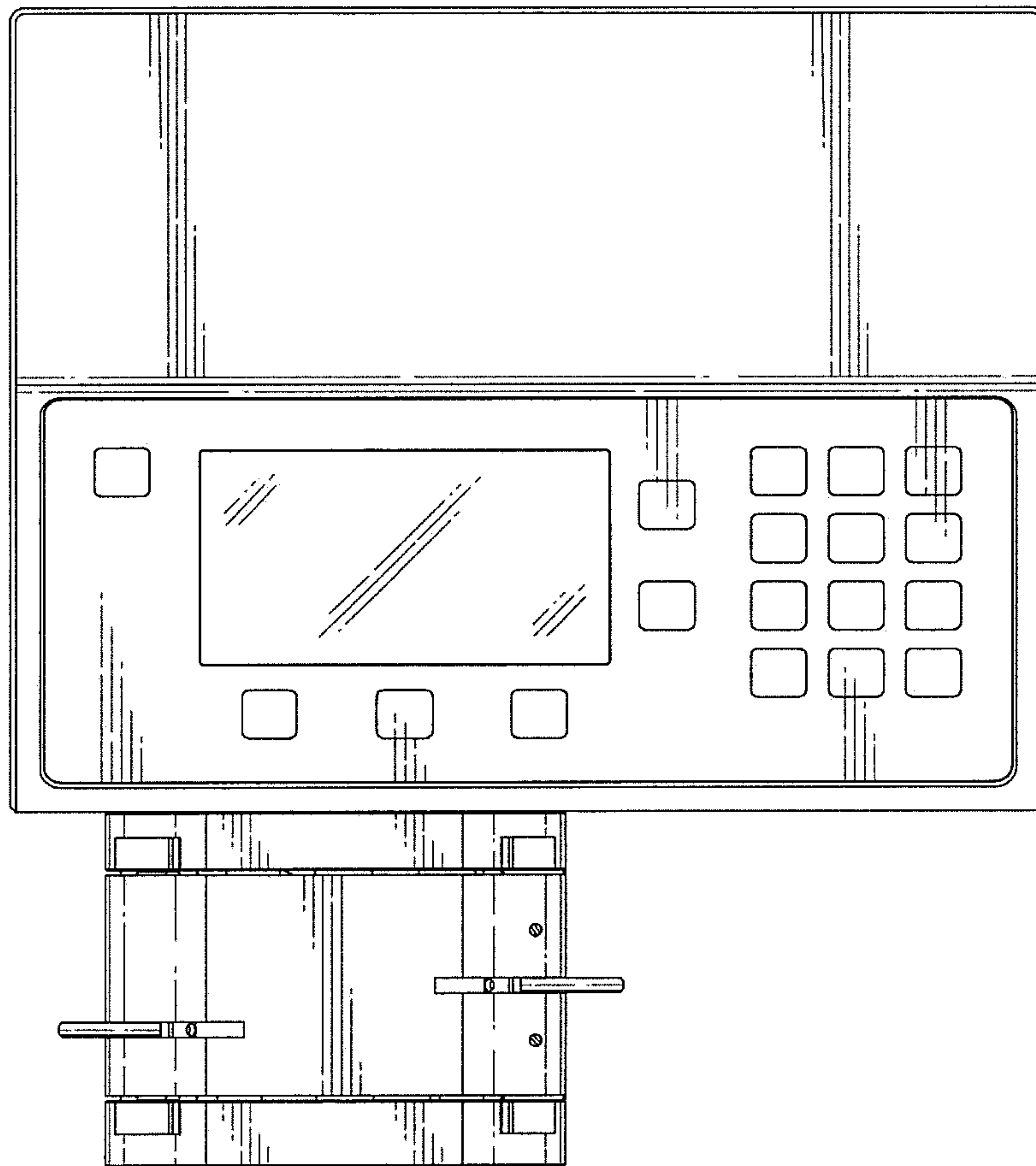


FIG. 6

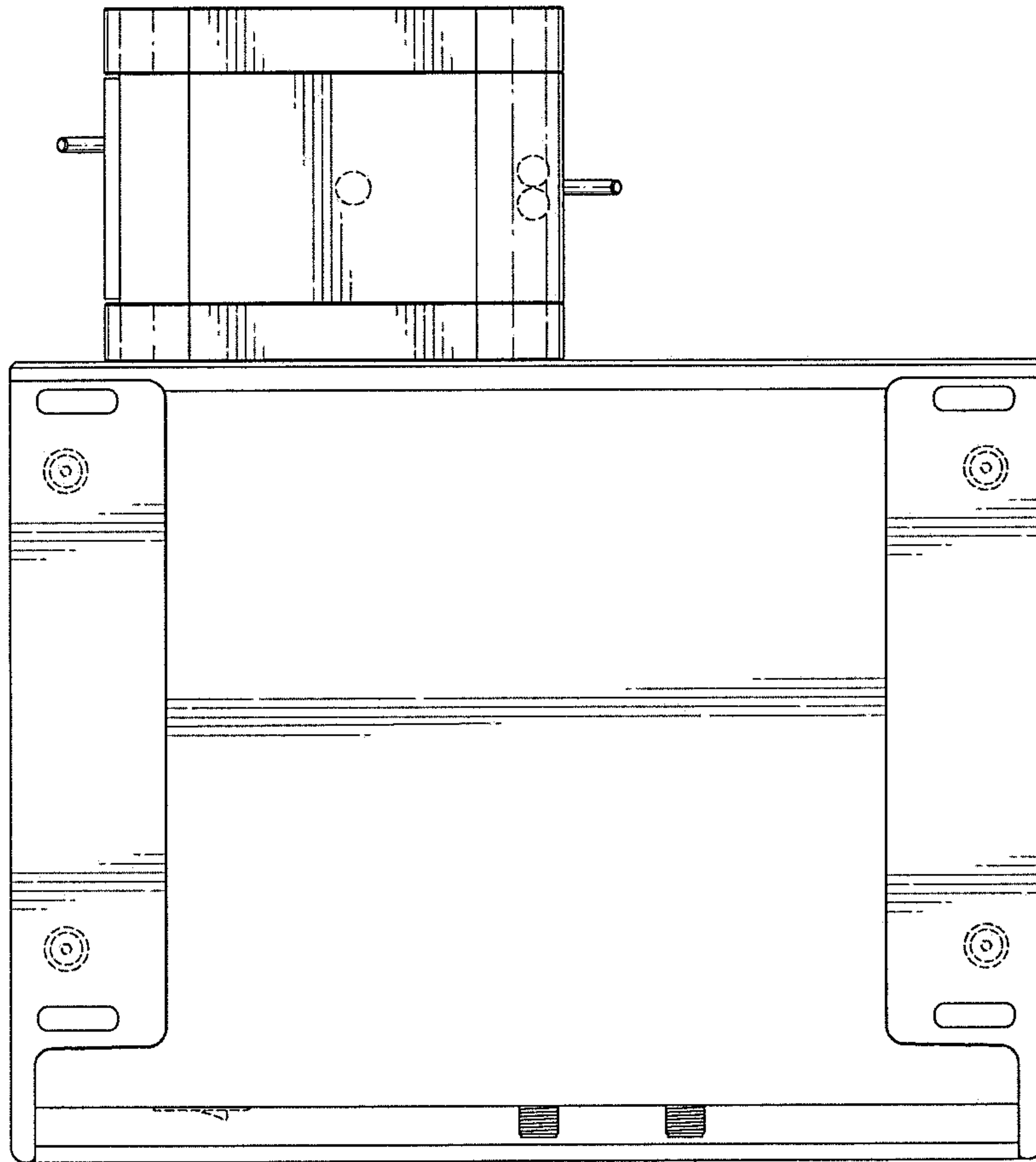


FIG. 7

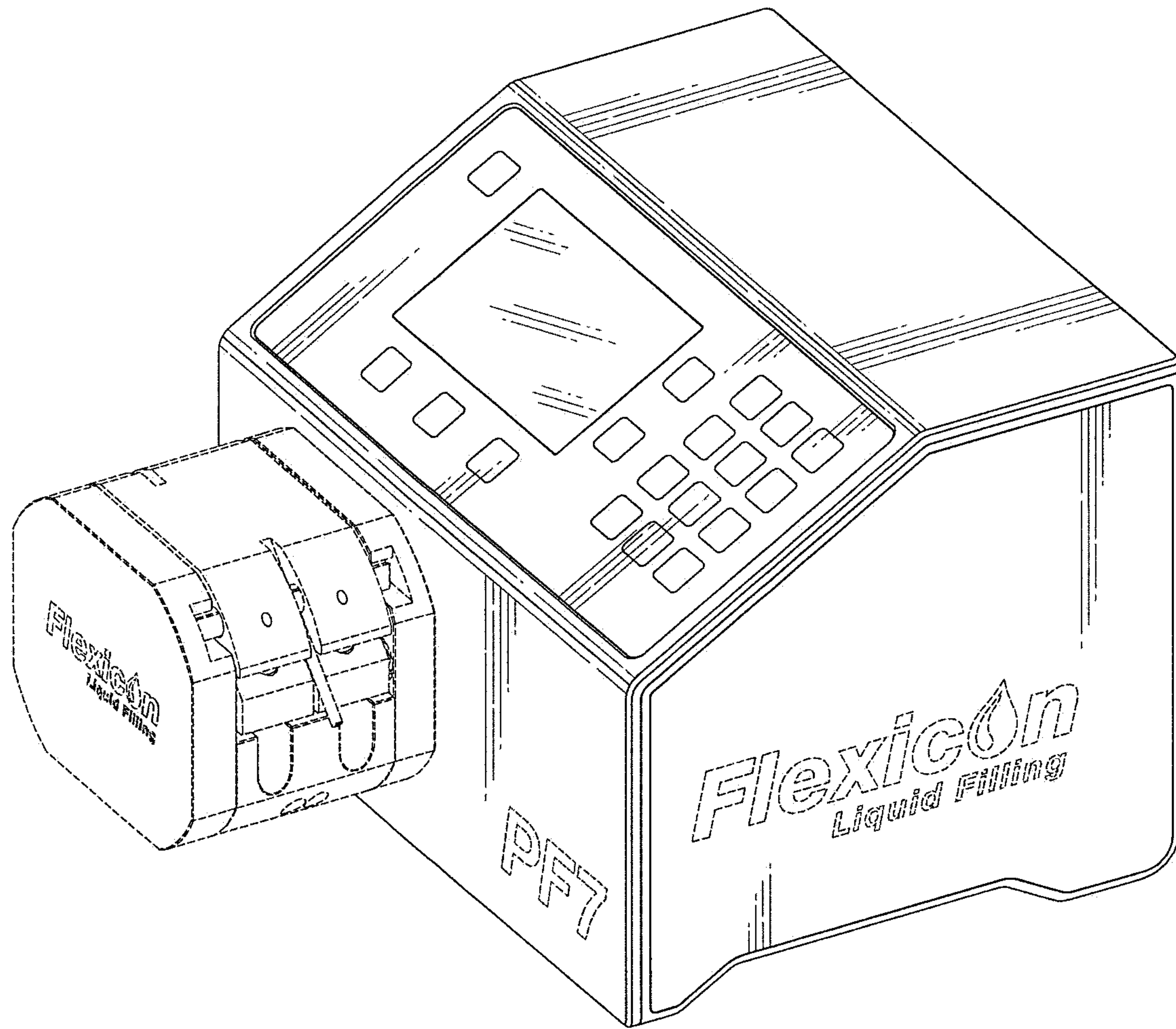


FIG. 8

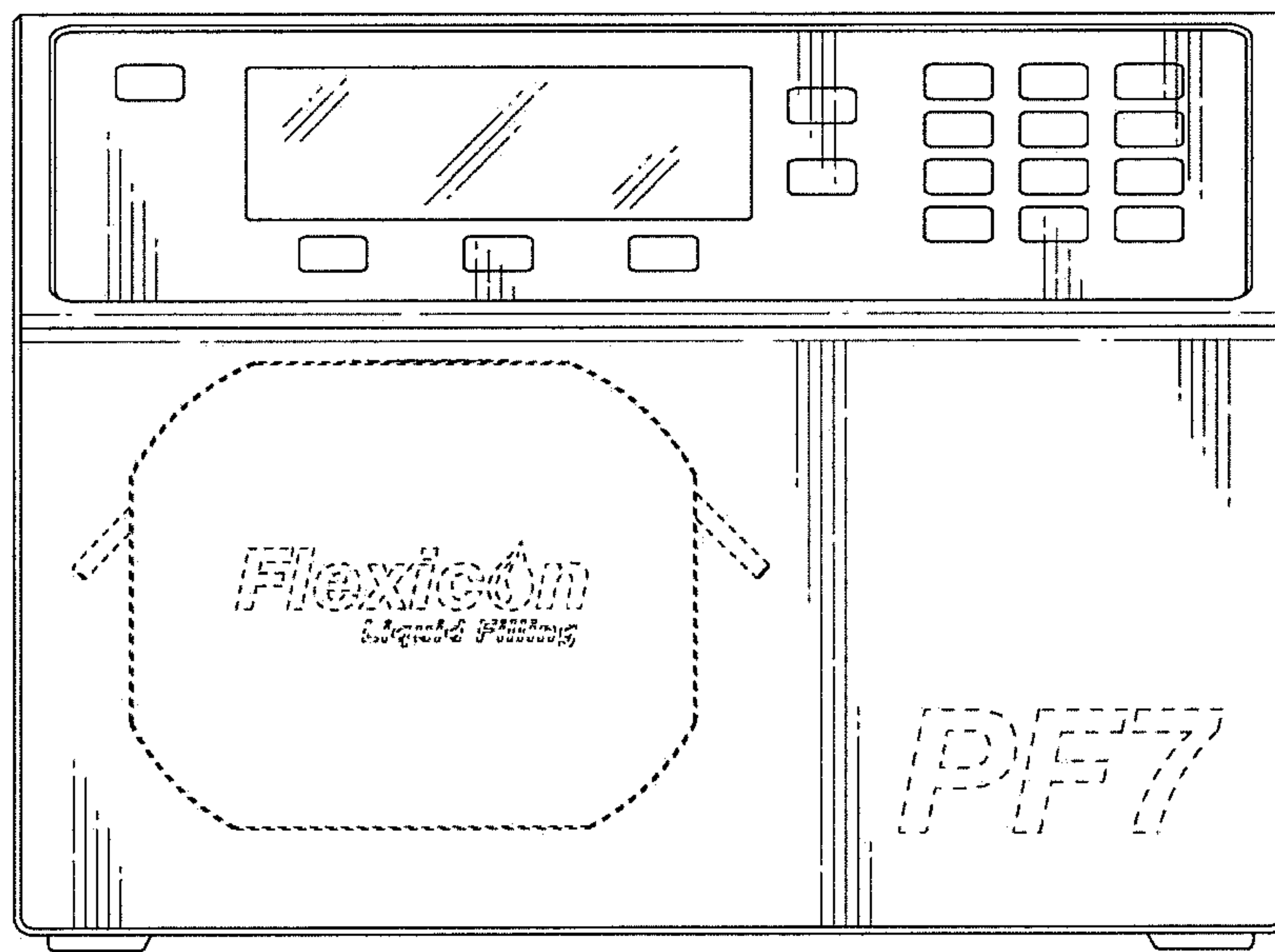


FIG. 9

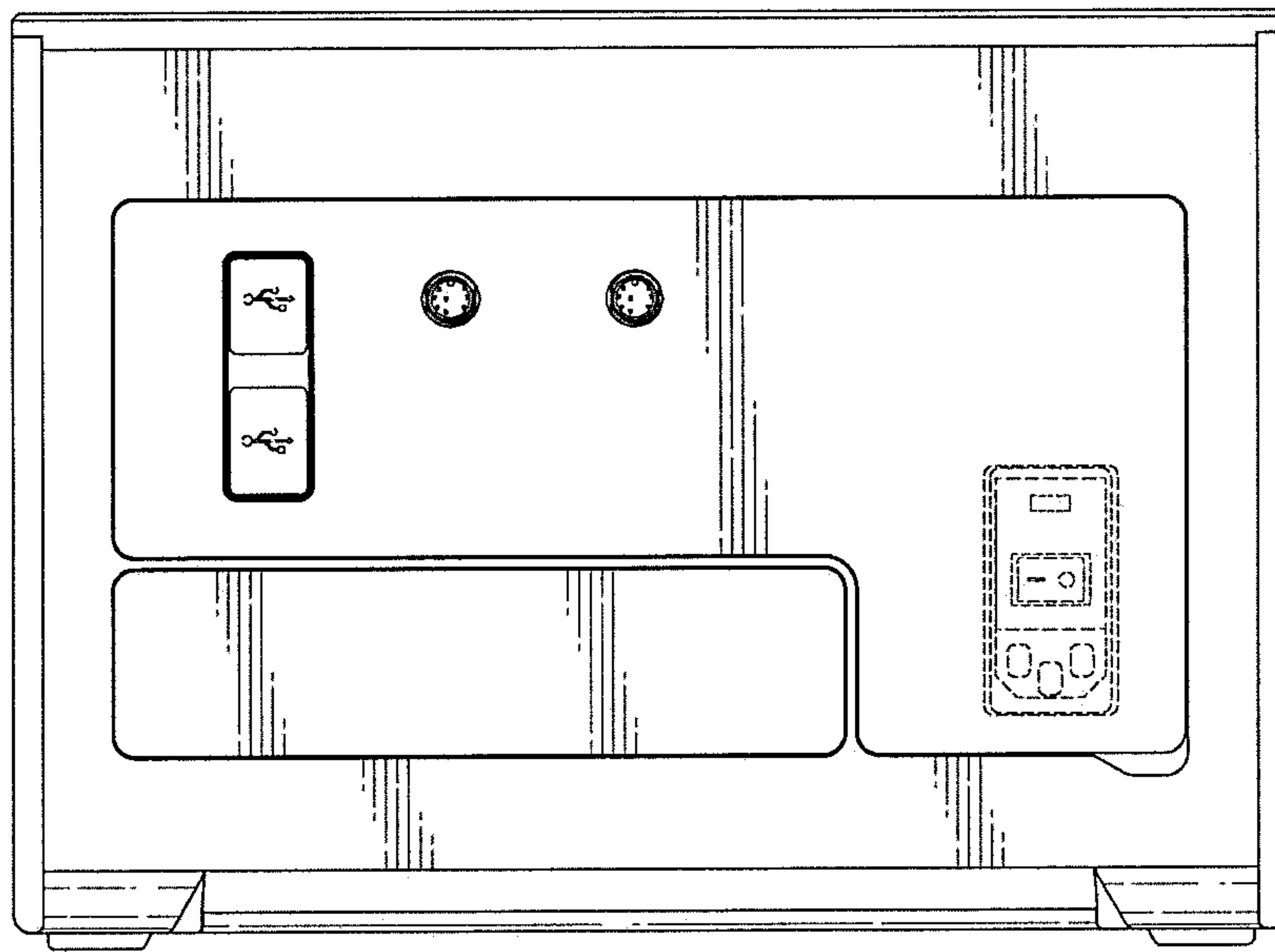


FIG. 10

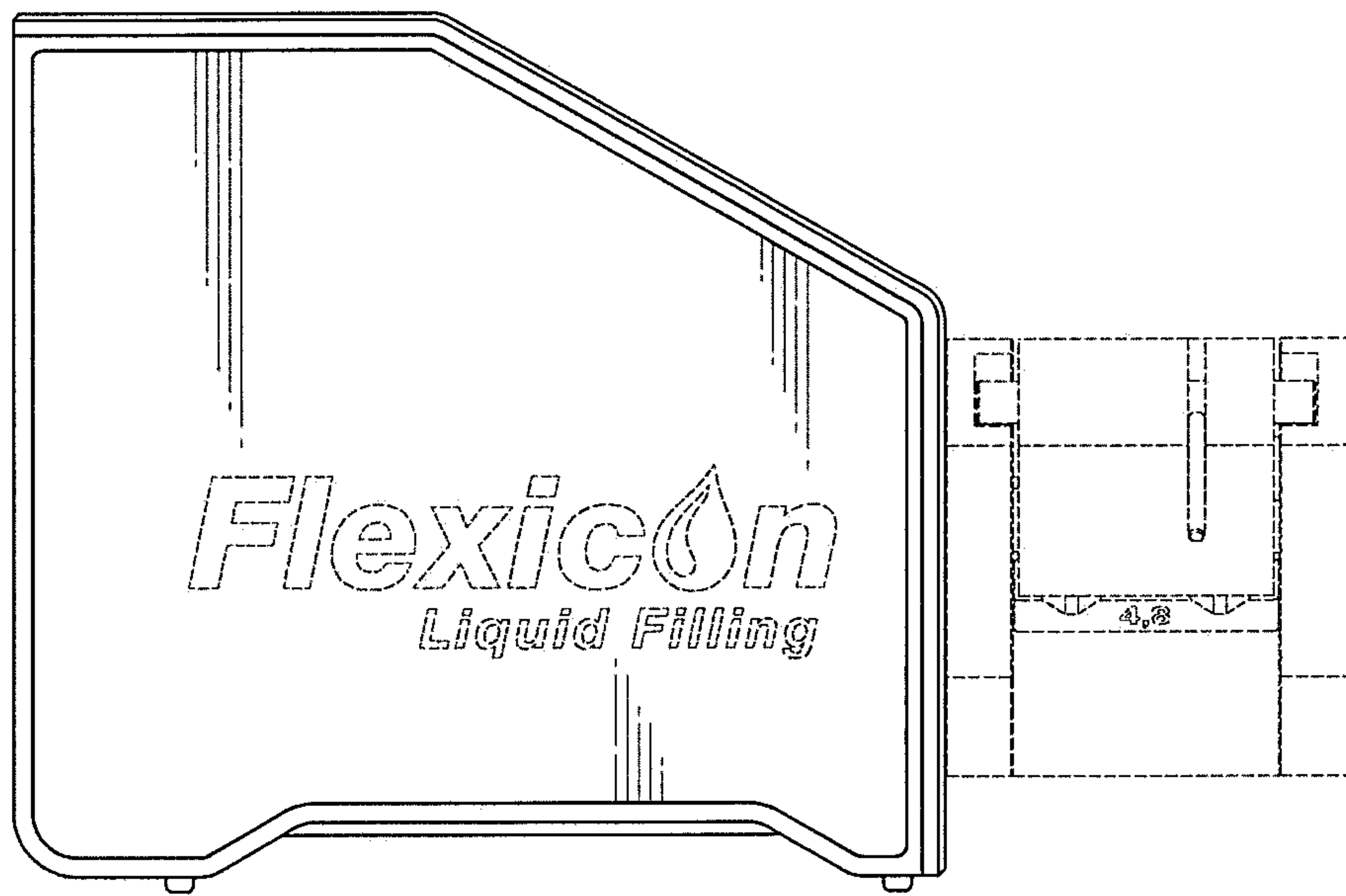


FIG. 11

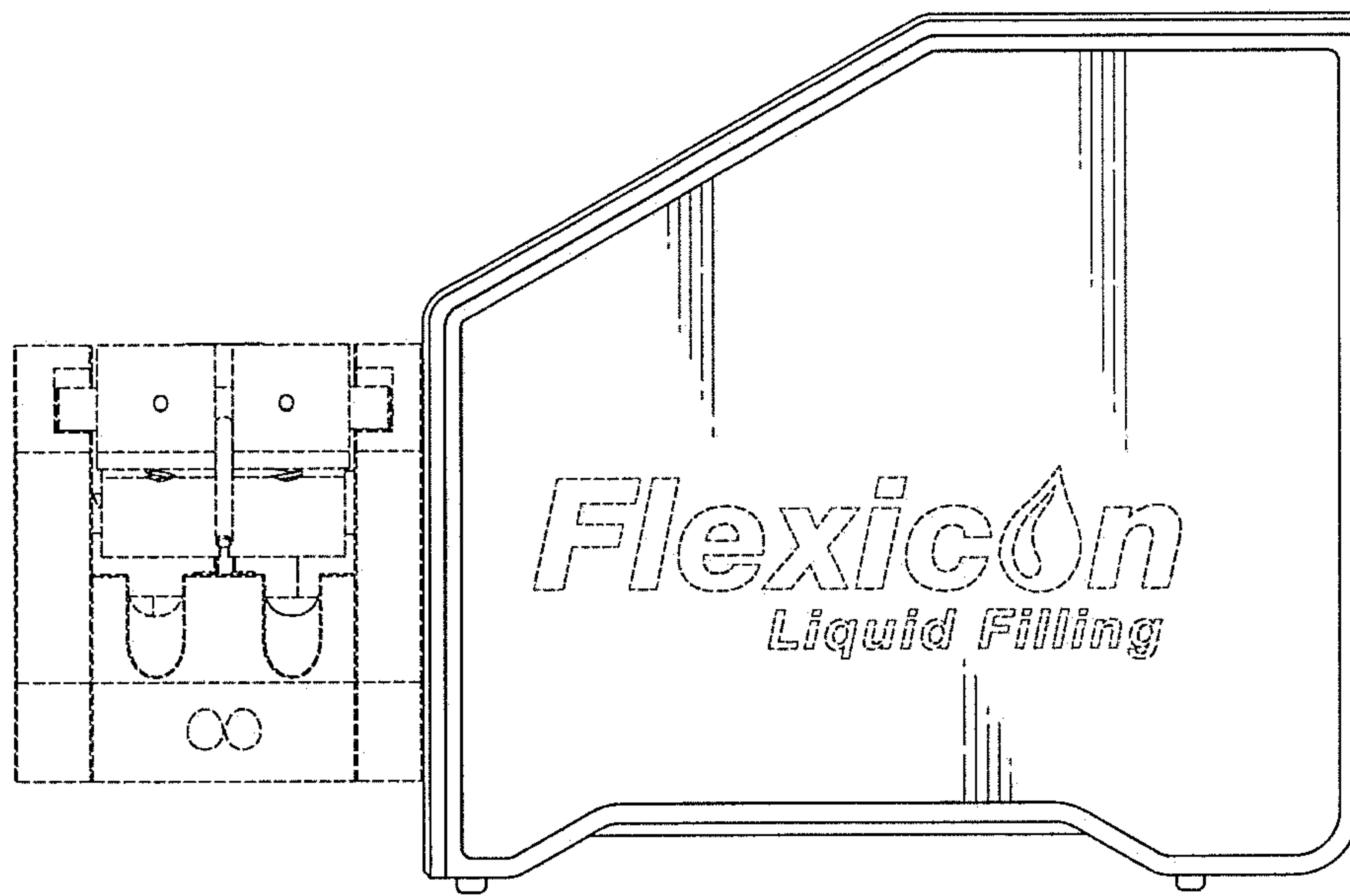


FIG. 12

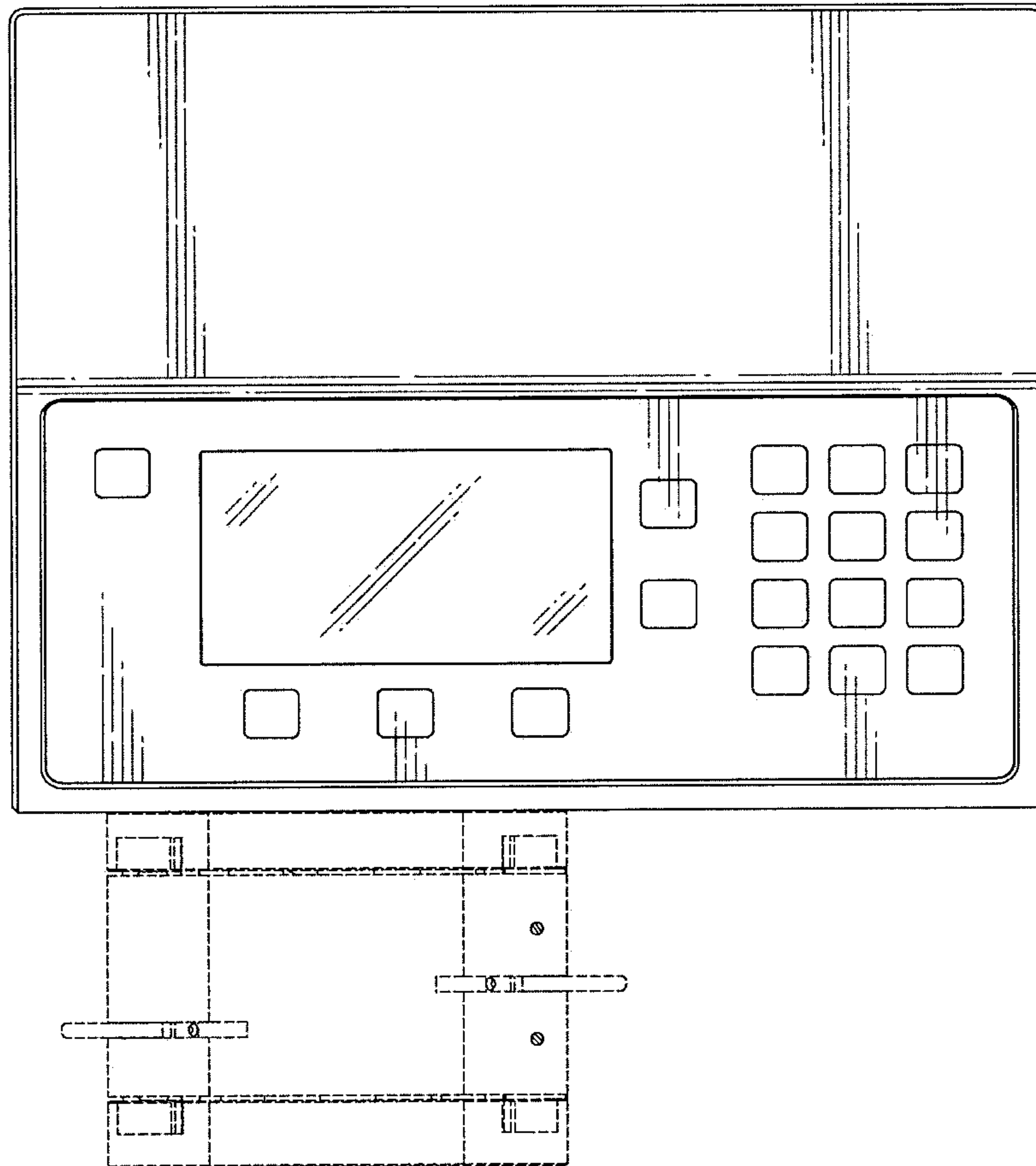


FIG. 13

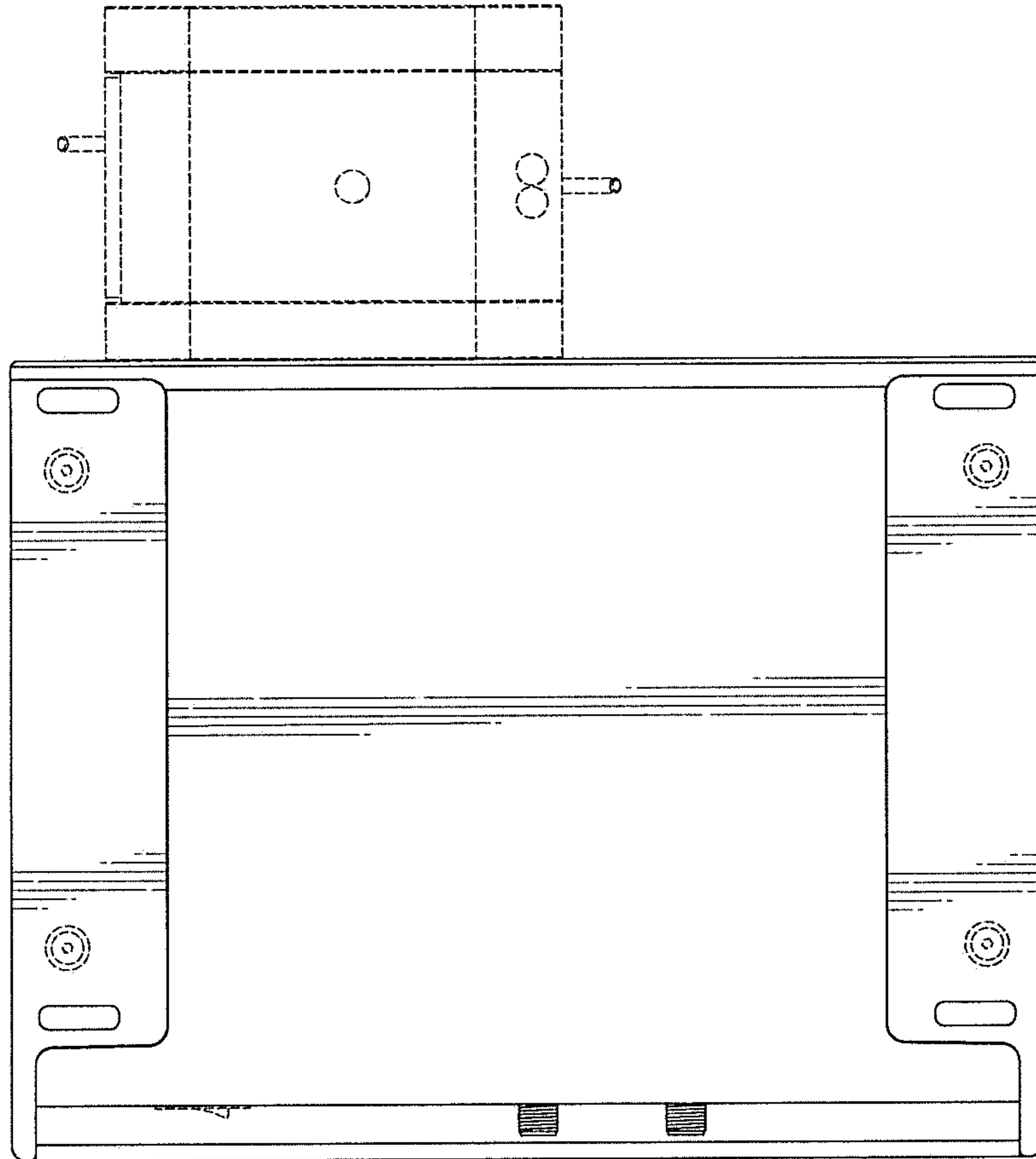


FIG. 14