



US00D871451S

(12) **United States Design Patent**
Fujiyama et al.

(10) **Patent No.:** **US D871,451 S**

(45) **Date of Patent:** **** Dec. 31, 2019**

(54) **DISPLAY SCREEN WITH ANIMATED GRAPHICAL USER INTERFACE**

D754,720 S * 4/2016 Yang D14/488
D759,666 S * 6/2016 Kuhn D14/485
D773,531 S * 12/2016 Toth D14/491

(71) Applicants: **Ryotaro Fujiyama**, Tokyo (JP); **Shin Nakamoto**, Tokyo (JP)

(Continued)

Primary Examiner — Philip S Hyder

(72) Inventors: **Ryotaro Fujiyama**, Tokyo (JP); **Shin Nakamoto**, Tokyo (JP)

Assistant Examiner — Cary M Robinson

(73) Assignee: **Ricoh Company, Ltd.**, Tokyo (JP)

(74) *Attorney, Agent, or Firm* — Oblon, McClelland, Maier & Neustadt, L.L.P.

(**) Term: **15 Years**

(57) **CLAIM**

(21) Appl. No.: **29/640,830**

The ornamental design for a display screen with animated graphical user interface, as shown and described.

(22) Filed: **Mar. 16, 2018**

DESCRIPTION

(30) **Foreign Application Priority Data**

Feb. 19, 2018 (JP) 2018-003343

(51) **LOC (12) Cl.** **14-04**

(52) **U.S. Cl.**
USPC **D14/492**

(58) **Field of Classification Search**
USPC D14/485–495
CPC ... B60K 37/00; G06F 3/0481; G06F 3/04845; G06F 3/04817; G06F 17/212; G06F 19/3406; G06T 13/80; G06T 15/02
See application file for complete search history.

FIG. 1 is a front elevational view of a display screen with animated graphical user interface showing our new design; FIG. 2 is a front elevational view of a second image thereof; FIG. 3 is a front elevational view of a third image thereof; FIG. 4 is a front elevational view of a fourth image thereof; FIG. 5 is a front elevational view of a fifth image thereof; FIG. 6 is a front elevational view of a sixth image thereof; FIG. 7 is a front elevational view of a seventh image thereof; FIG. 8 is a front elevational view of an eighth image thereof; FIG. 9 is a front elevational view of a ninth image thereof; and,

FIG. 10 is a front elevational view of a tenth image thereof. The even broken line at the periphery of the figures illustrates the display screen, and the remaining even broken lines illustrate portions of the animated graphical user interface. None of the broken lines form part of the claimed design.

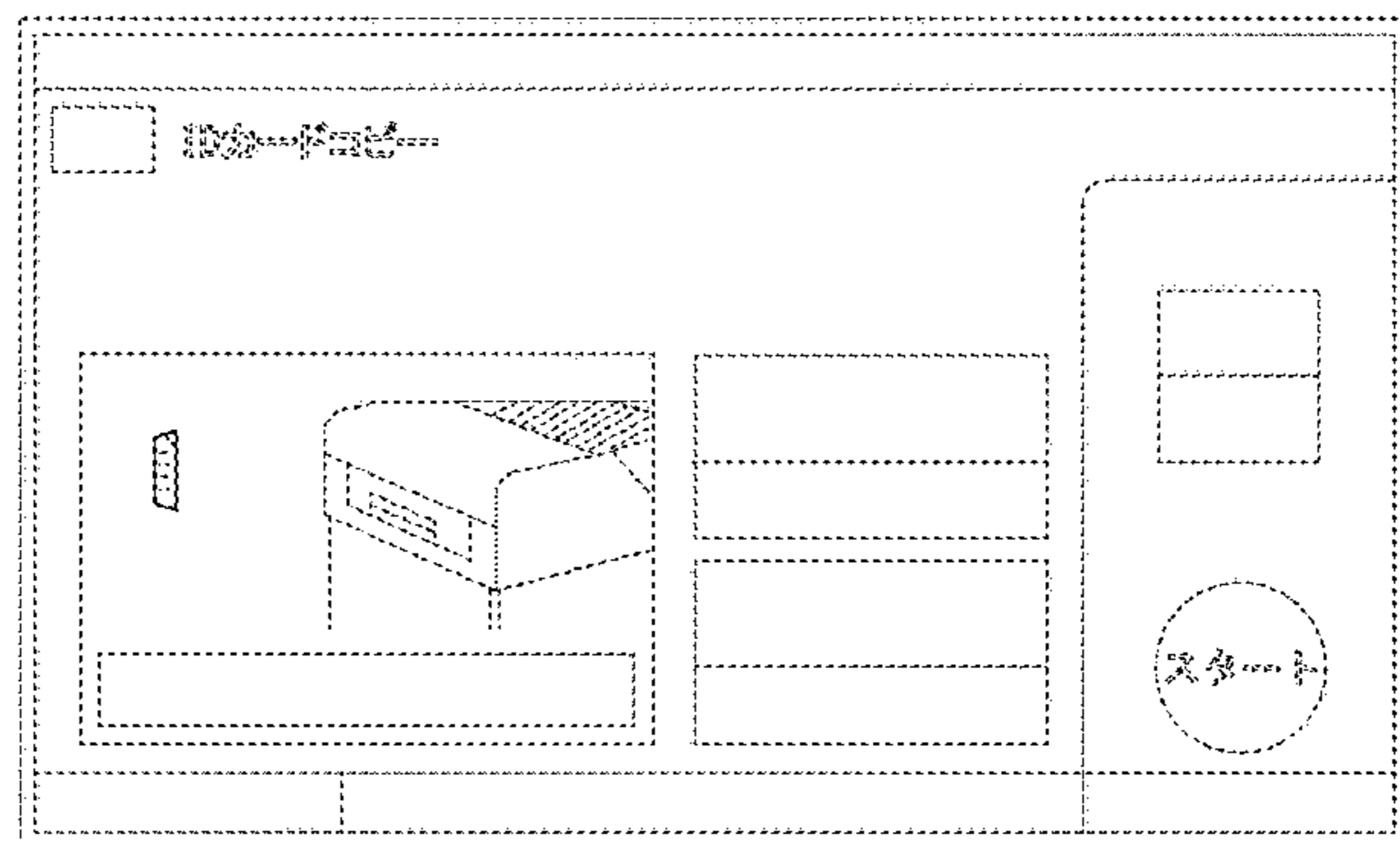
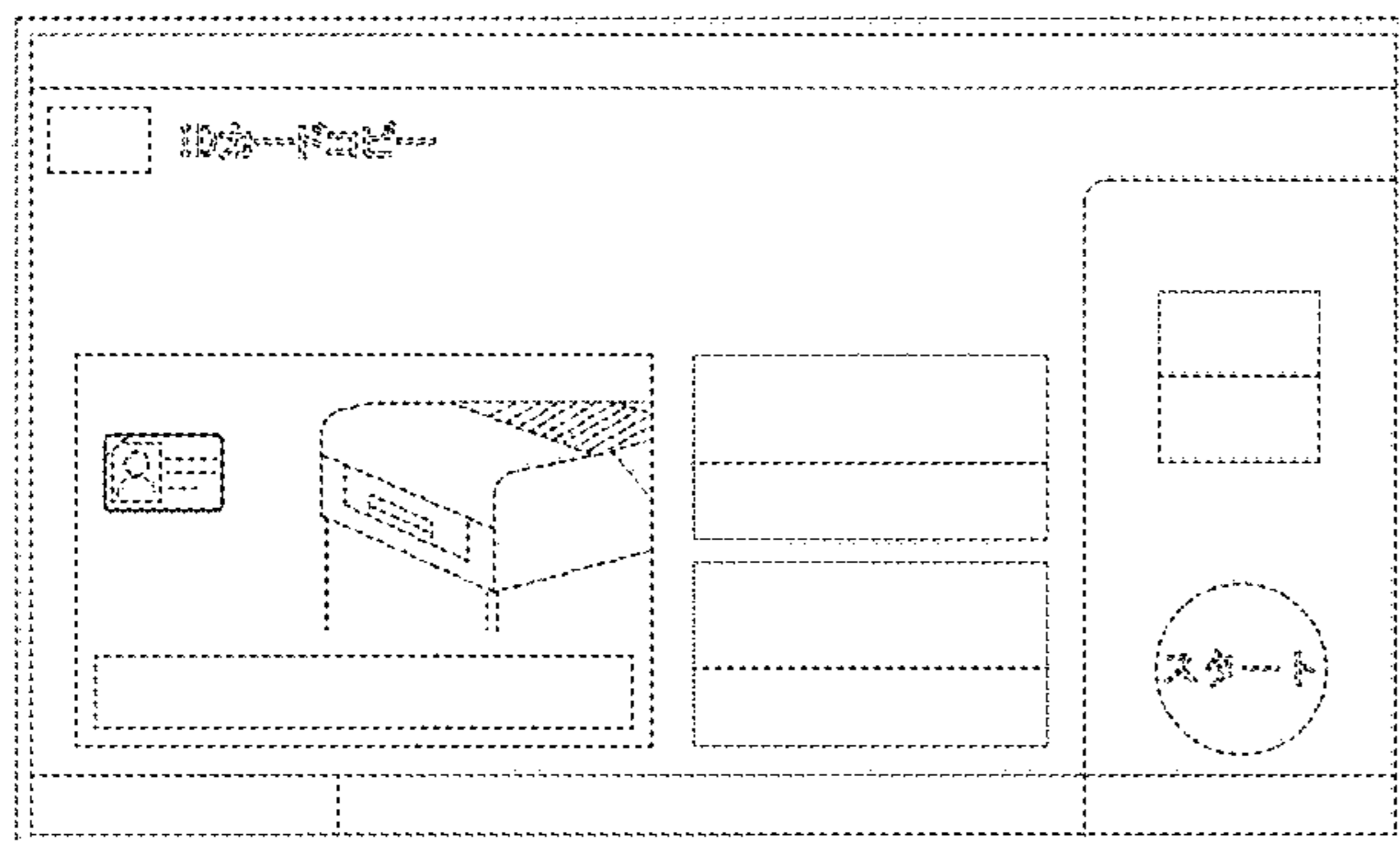
(56) **References Cited**

U.S. PATENT DOCUMENTS

D651,608 S * 1/2012 Allen D14/485
D668,262 S * 10/2012 Gleasman D14/488
D736,241 S * 8/2015 Sic D14/486
D738,906 S * 9/2015 Frijlink D14/488
D753,702 S * 4/2016 Zhou D14/488
D753,705 S * 4/2016 Sanderson D14/488

The appearance of the transitional image sequentially transitions between the images shown in FIGS. 1-10. The process or period in which one image transitions to another image forms no part of the claimed design.

1 Claim, 10 Drawing Sheets



(56)

References Cited

U.S. PATENT DOCUMENTS

D784,369	S *	4/2017	Kuhn	D14/485
D784,370	S *	4/2017	Kuhn	D14/485
D785,013	S *	4/2017	Kuhn	D14/485
D790,595	S *	6/2017	Forsblom	D14/492
D806,111	S *	12/2017	Wu	D14/486
D808,397	S *	1/2018	Beaty	D14/485
D815,666	S *	4/2018	Burns	D14/488
D819,685	S *	6/2018	Lee	D14/488
D834,059	S *	11/2018	Wilde	D14/488
D849,783	S *	5/2019	King	D14/488
D855,067	S *	7/2019	Campbell	D14/486
2010/0306692	A1 *	12/2010	Baier	G05B 19/409 715/777
2014/0365957	A1 *	12/2014	Louch	G06F 3/1431 715/790
2015/0356994	A1 *	12/2015	Denoue	G11B 27/031 386/278

* cited by examiner

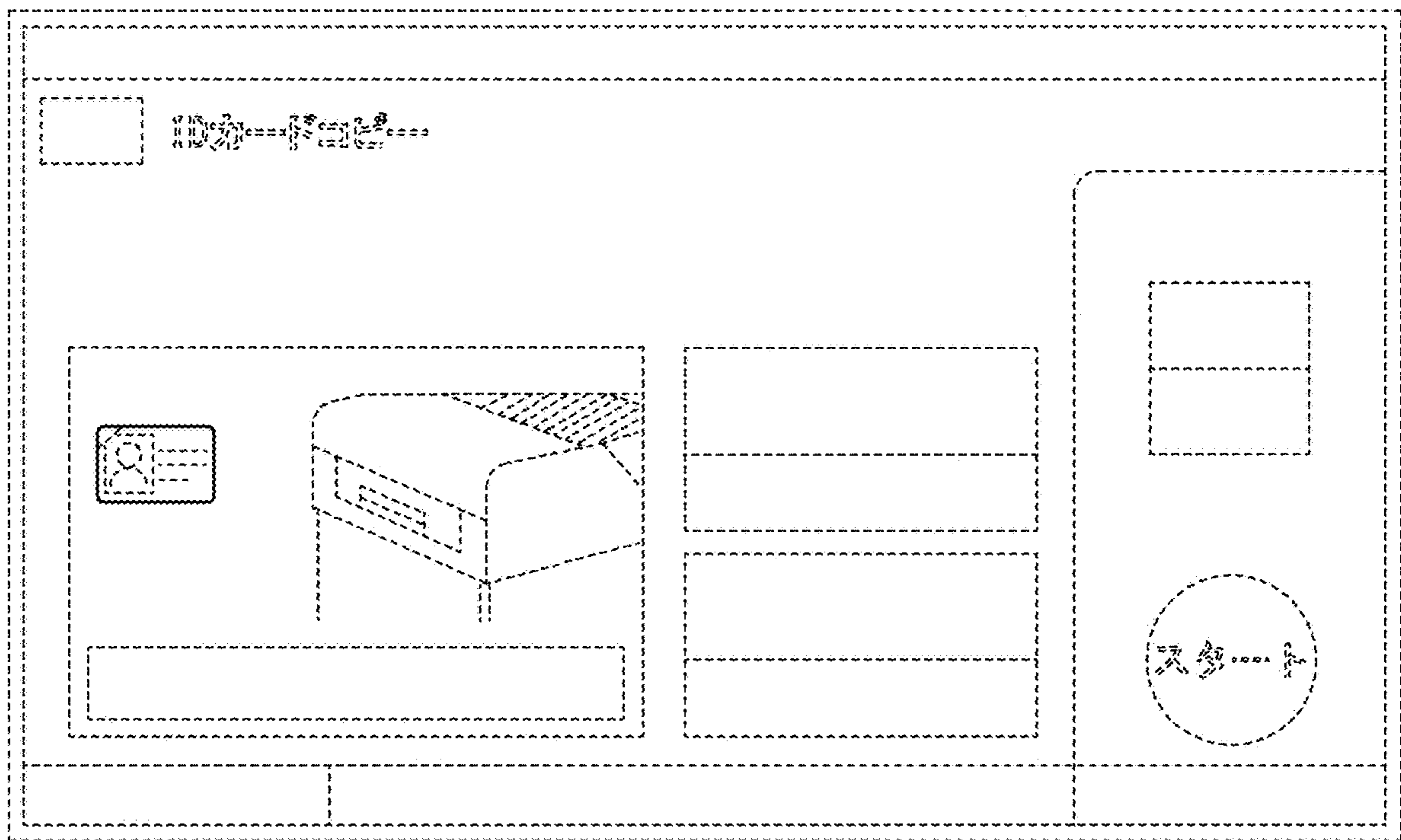


FIG. 1

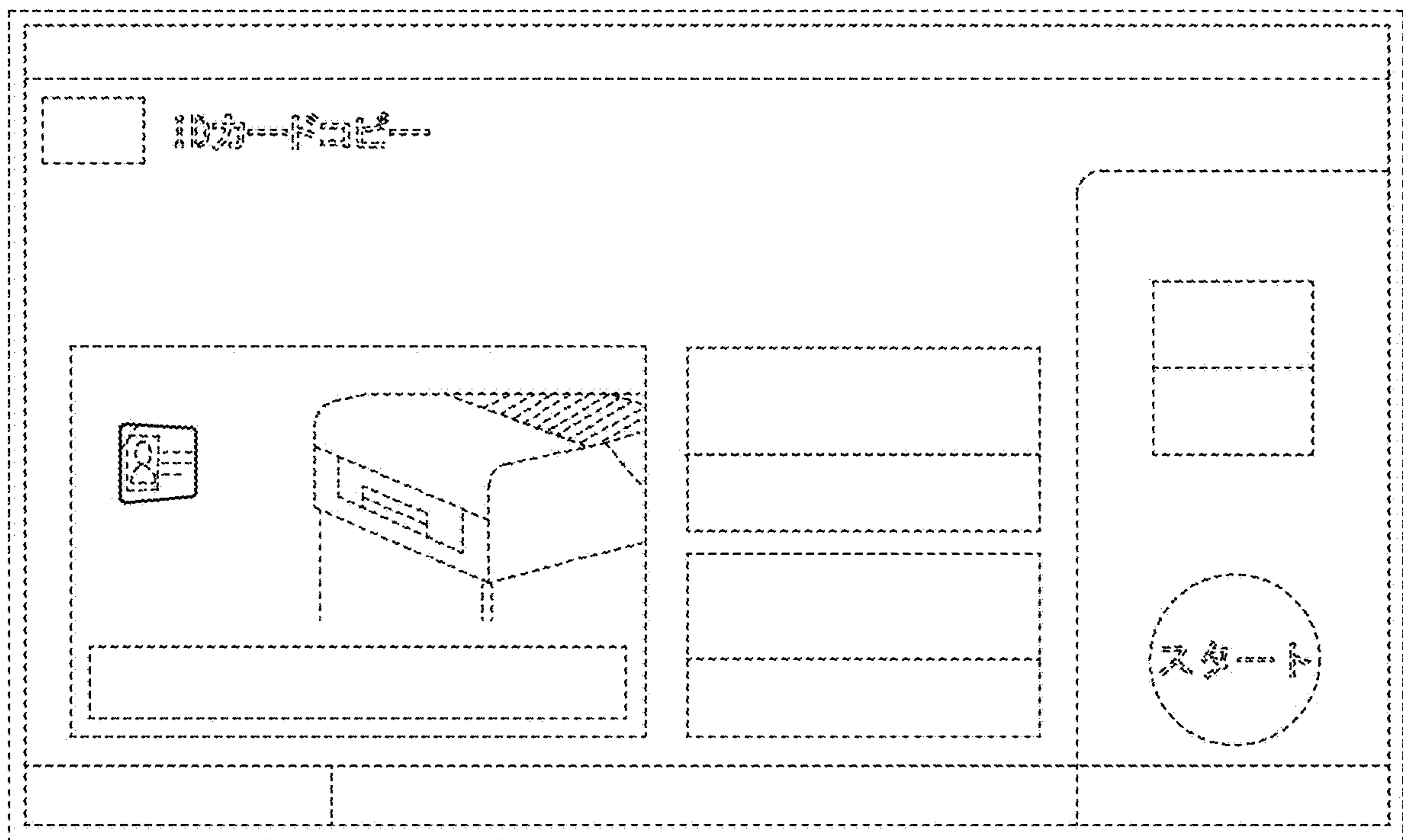


FIG. 2

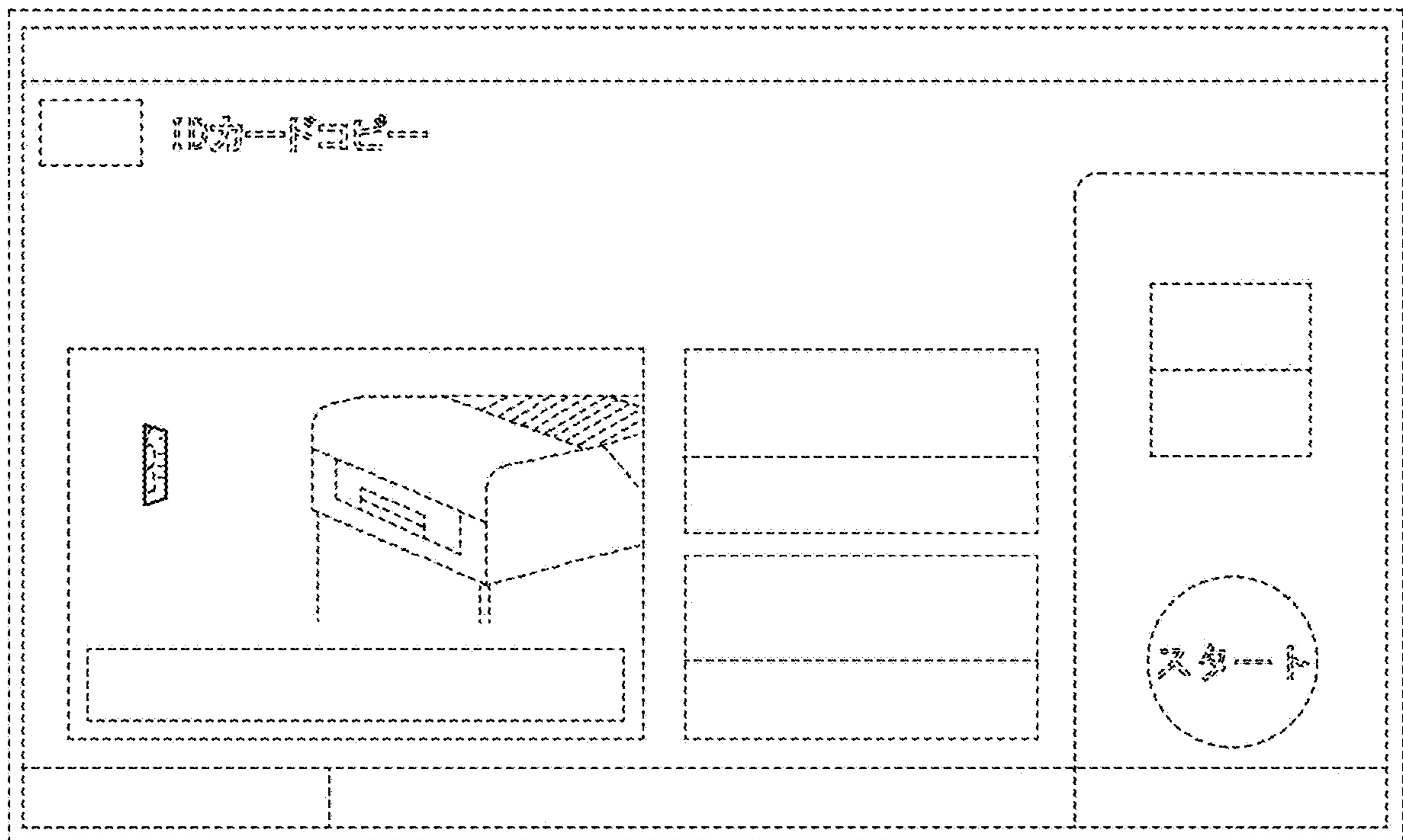


FIG. 3

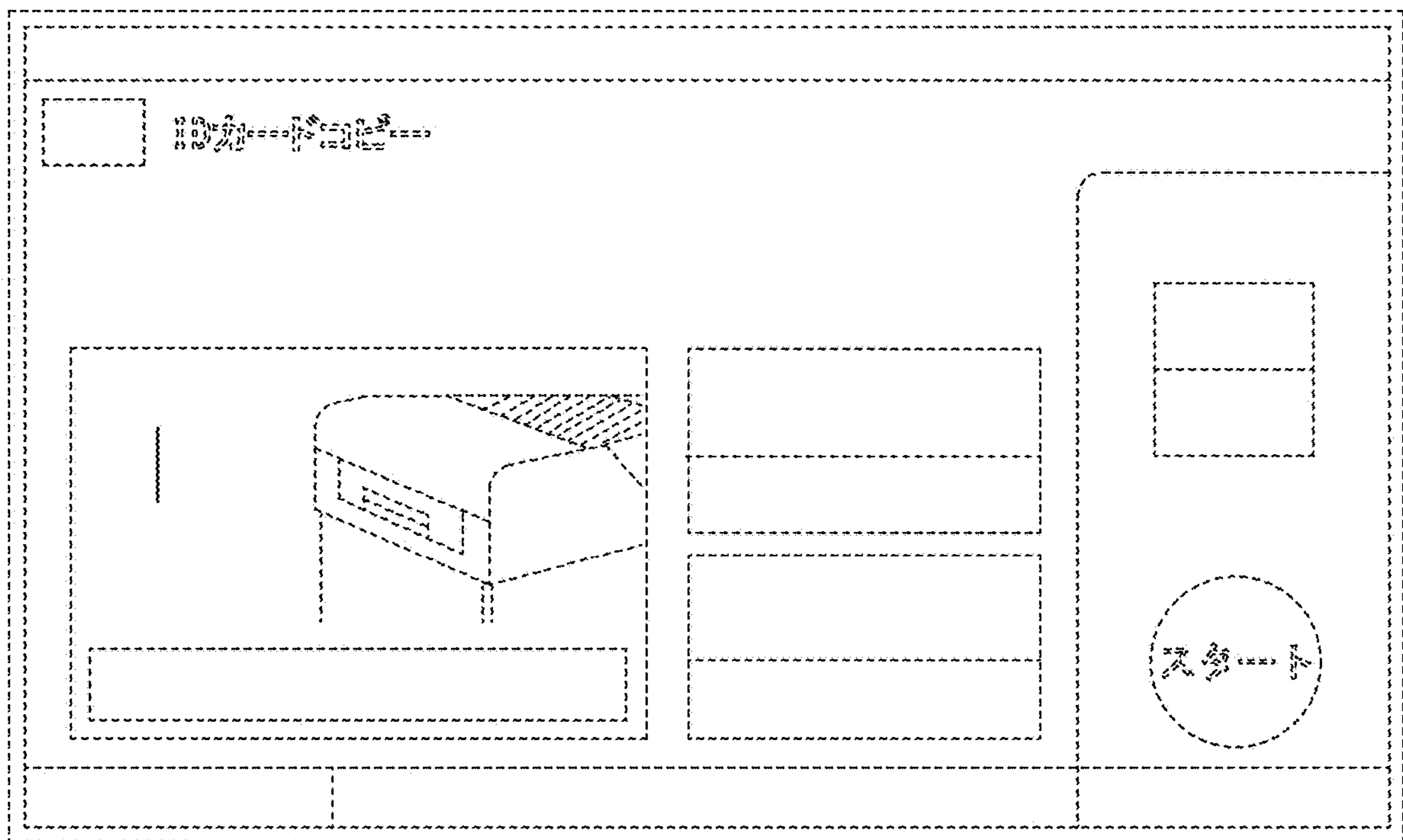


FIG. 4

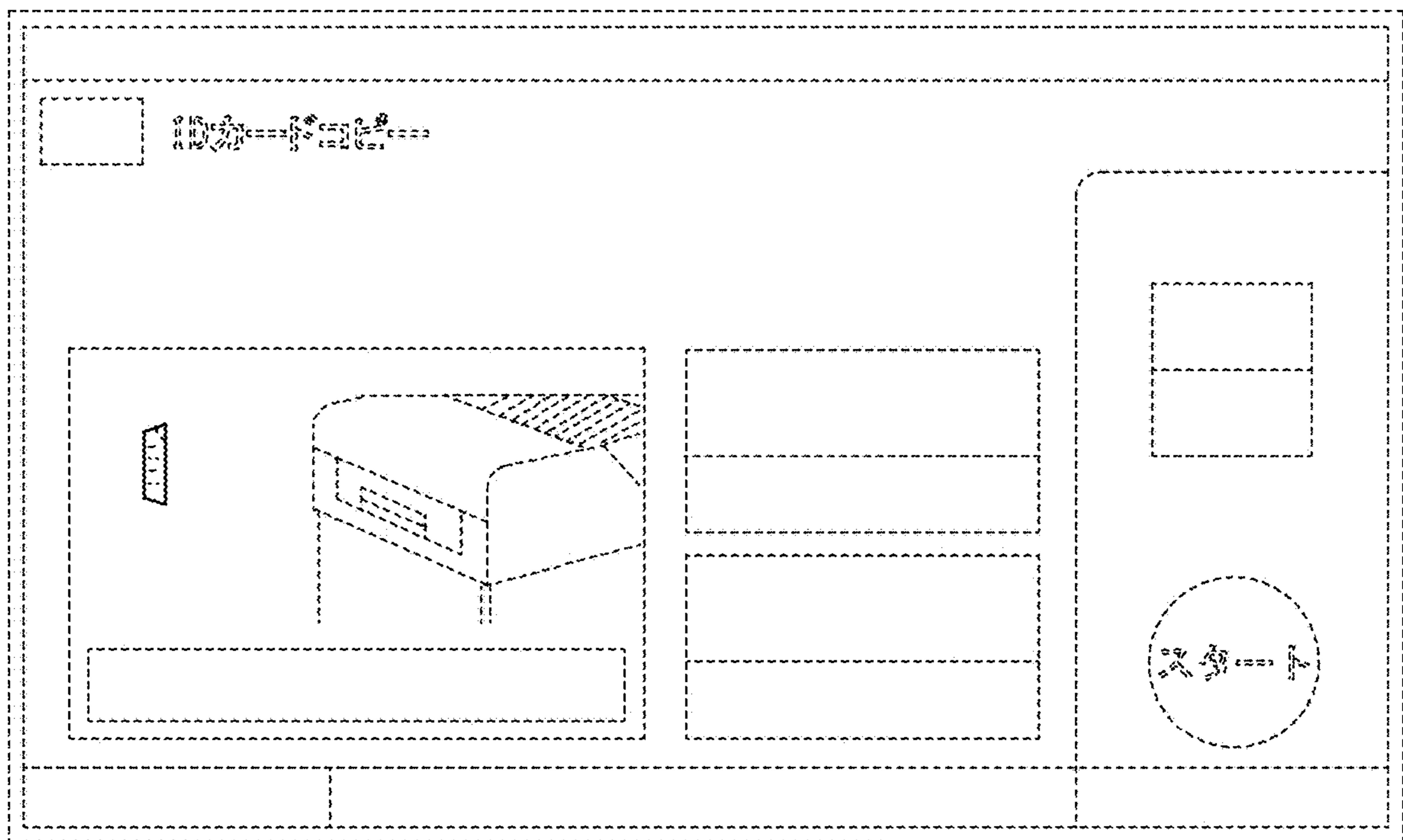


FIG. 5

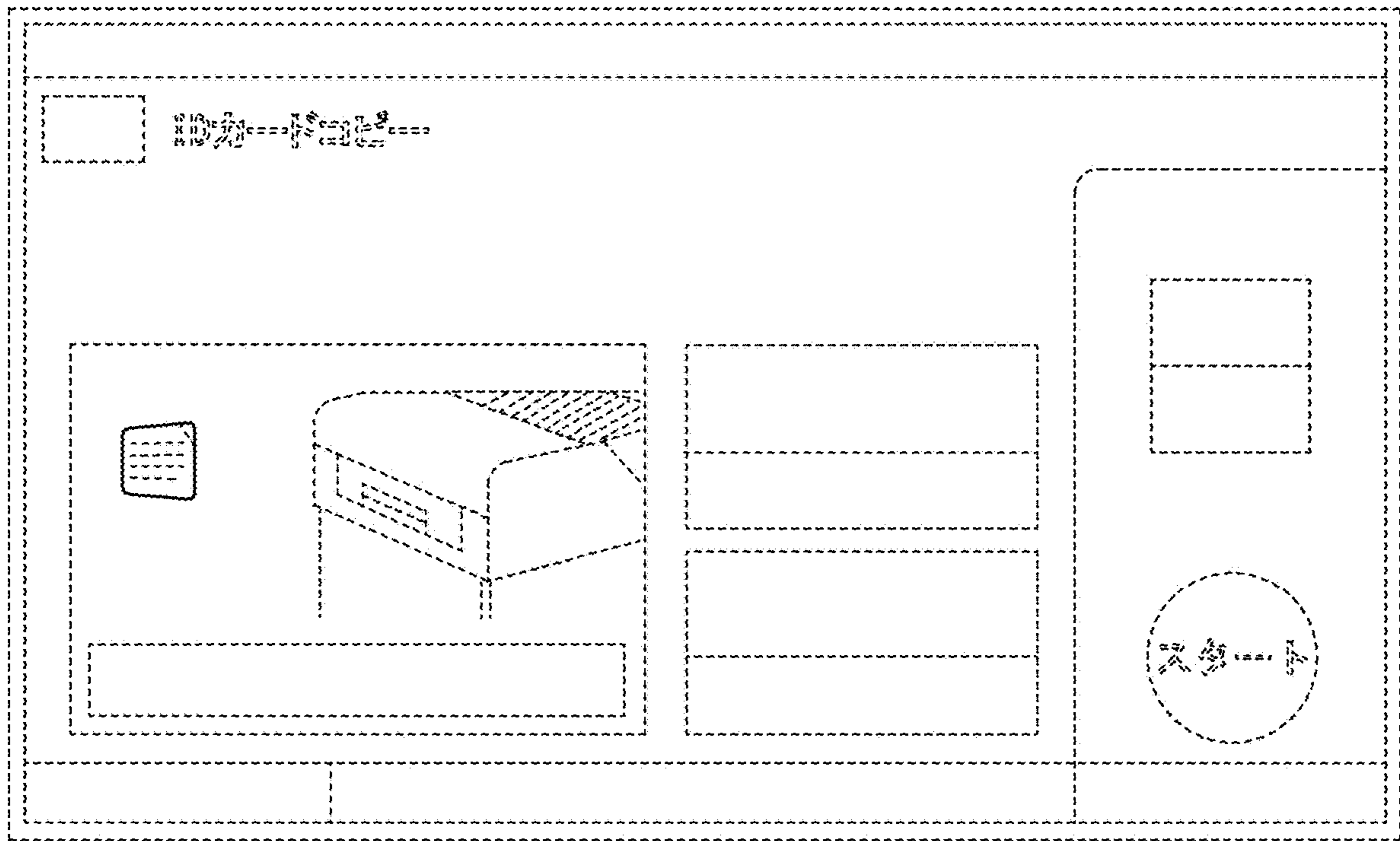


FIG. 6

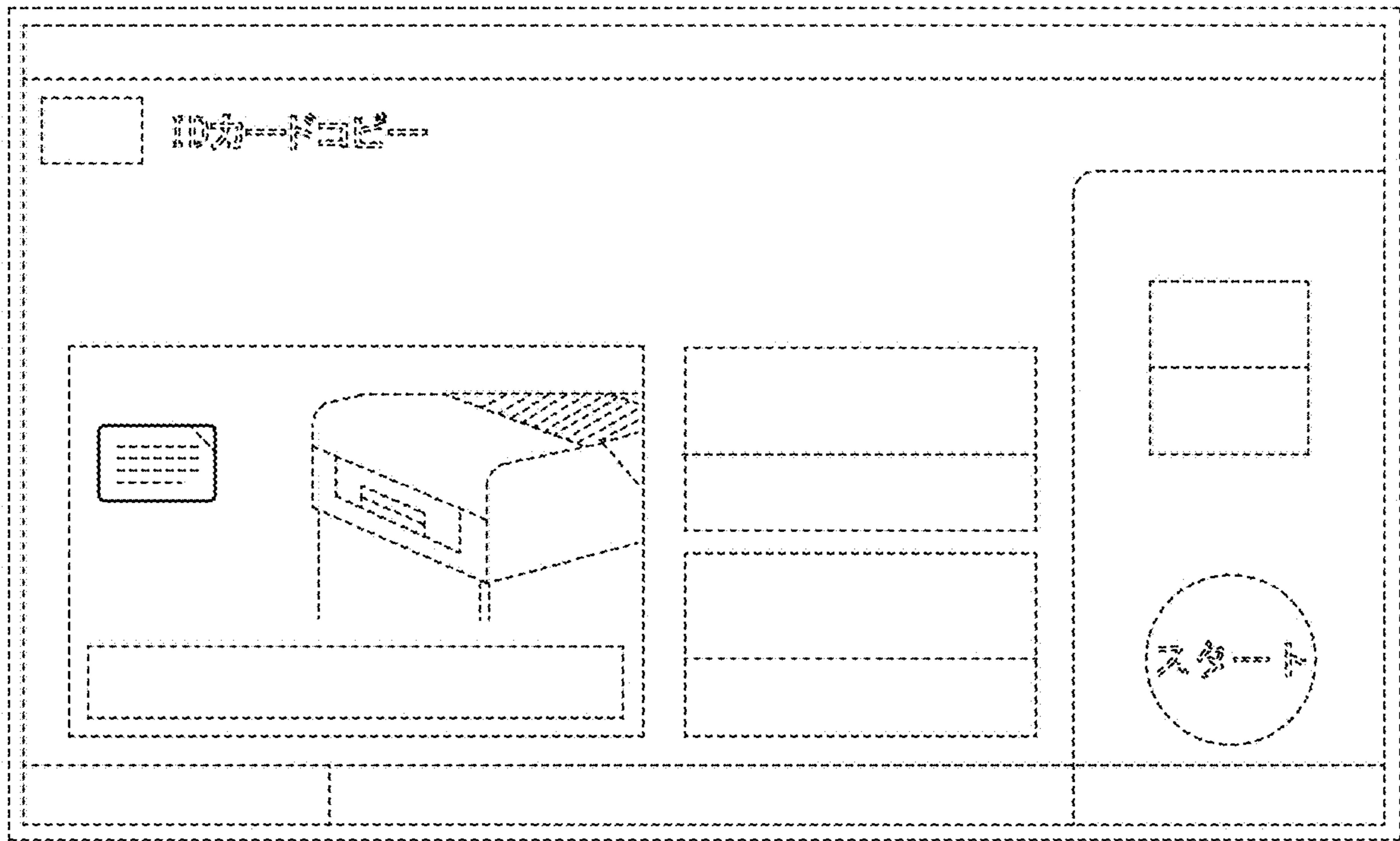


FIG. 7

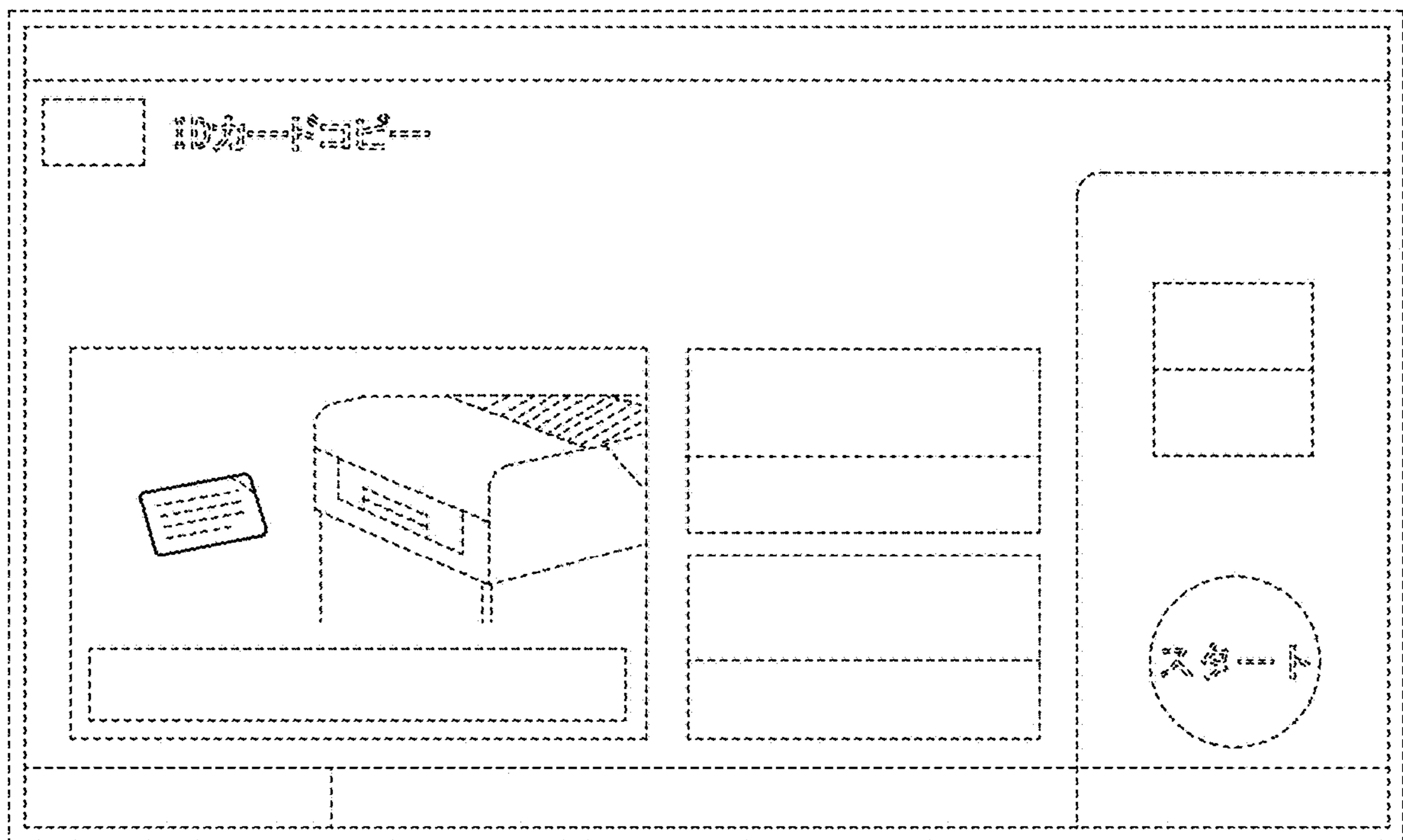


FIG. 8

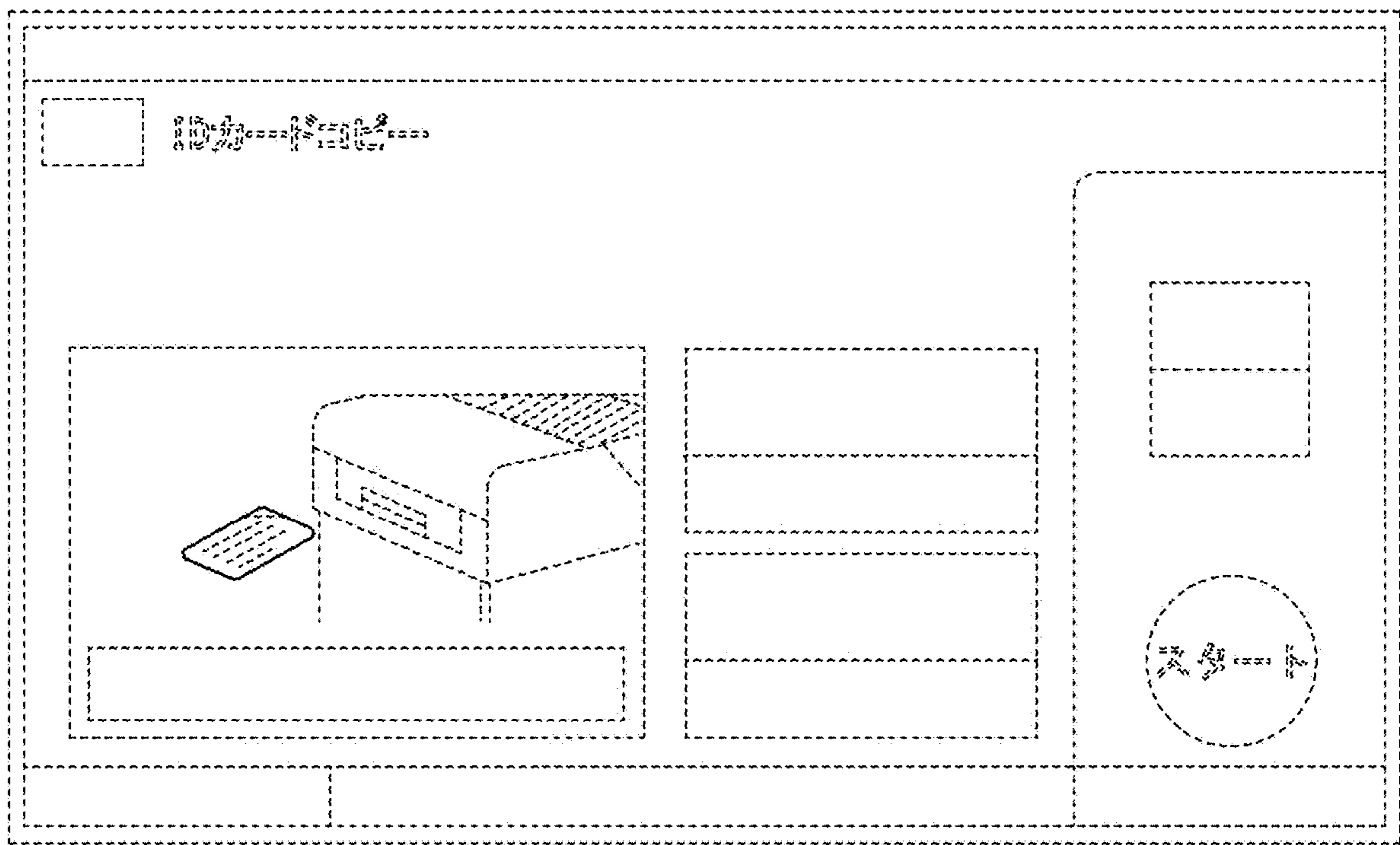


FIG. 9

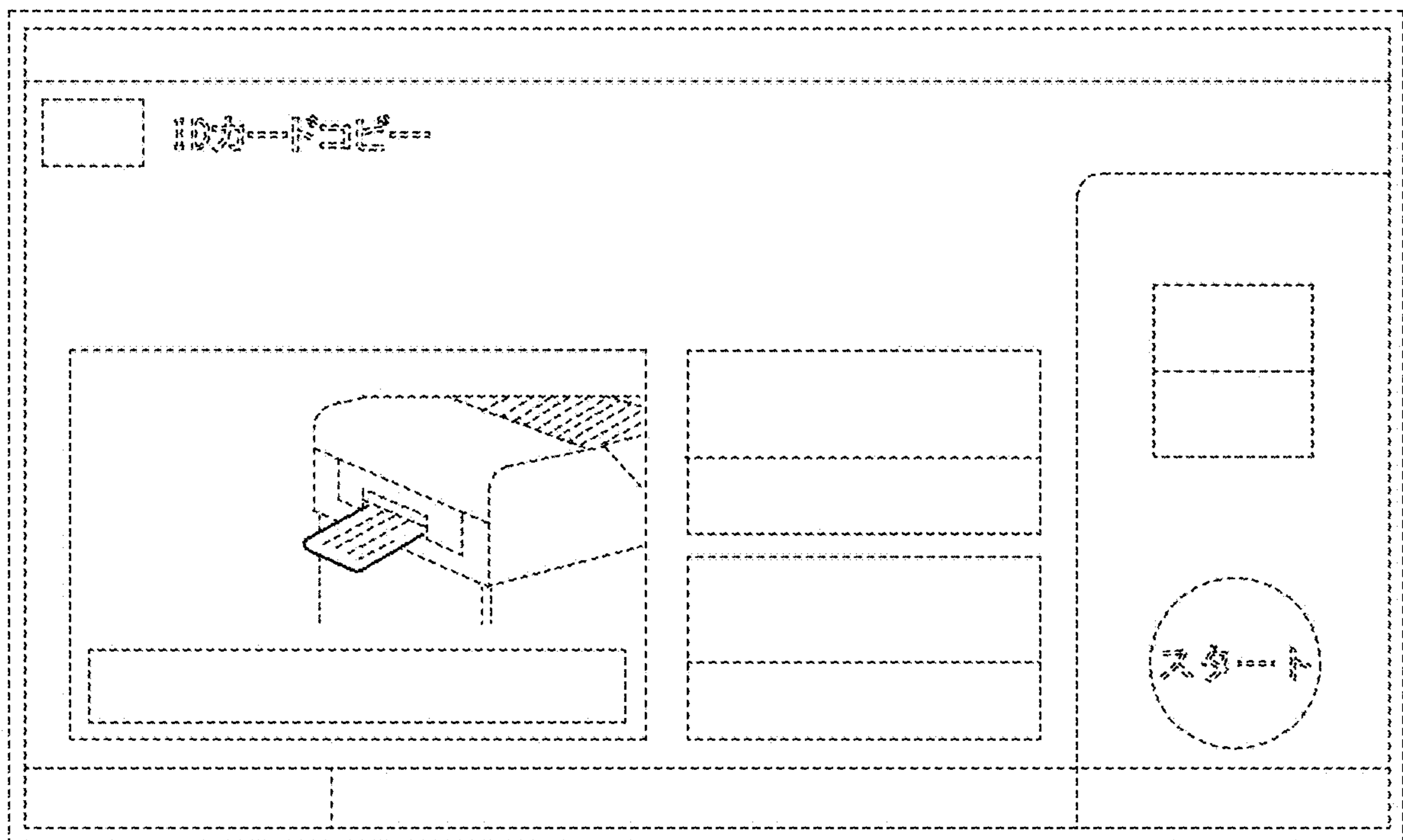


FIG.10