



US00D871415S

(12) **United States Design Patent** (10) **Patent No.:** **US D871,415 S**
Lin (45) **Date of Patent:** **** Dec. 31, 2019**

(54) **TABLET CASE**
(71) Applicant: **Kungao Lin**, Jieyang (CN)
(72) Inventor: **Kungao Lin**, Jieyang (CN)
(**) Term: **15 Years**
(21) Appl. No.: **29/671,668**
(22) Filed: **Nov. 29, 2018**
(51) **LOC (12) Cl.** **14-02**
(52) **U.S. Cl.**
USPC **D14/440**
(58) **Field of Classification Search**
USPC D14/440, 447, 250; 206/45.23, 320,
206/45.2; 361/679.55; 294/25; 224/218
CPC G06F 1/1628; G06F 1/1626; A47B 23/044
See application file for complete search history.

D730,362 S * 5/2015 Akana D14/440
D735,205 S * 7/2015 Akana D14/440
D745,011 S * 12/2015 Akana D14/440
D750,632 S * 3/2016 Diebel D14/440
D752,593 S * 3/2016 Diebel G06F 1/1679
D14/440
D761,267 S * 7/2016 Chen D14/345
D770,457 S * 11/2016 Massucco D14/440
D773,454 S * 12/2016 Akana D14/341
D773,470 S * 12/2016 Akana D14/440
D779,485 S * 2/2017 Akana D14/345
D784,995 S * 4/2017 Akana D14/440
D792,884 S * 7/2017 Nyholm D14/440
D807,365 S * 1/2018 Liu D14/440
D819,038 S * 5/2018 Diebel D14/440
D820,838 S * 6/2018 Akana D14/345
D857,023 S * 8/2019 Hyun D14/440
2008/0167095 A1 * 7/2008 Kim H04M 1/0216
455/575.3
2009/0107858 A1 * 4/2009 Huang A45C 9/00
206/214
2009/0159763 A1 * 6/2009 Kim F16M 13/00
248/174

(56) **References Cited**

U.S. PATENT DOCUMENTS

D544,922 S * 6/2007 Shaffer D20/10
D607,035 S * 12/2009 Adams D16/241
D658,187 S * 4/2012 Diebel G06F 1/1679
D14/440
D674,016 S * 1/2013 Letterle D19/113
D678,260 S * 3/2013 Bau D14/132
D694,523 S * 12/2013 Chiang D3/303
D696,253 S * 12/2013 Akana D14/345
D696,669 S * 12/2013 Akana D14/440
D702,673 S * 4/2014 Murchison D14/250
D703,209 S * 4/2014 Marcus D14/440
D704,702 S * 5/2014 Akana D14/341
D711,887 S * 8/2014 Akana D14/440
D713,402 S * 9/2014 Akana D14/341
D713,848 S * 9/2014 Akana D14/440
D720,355 S * 12/2014 Akana D14/440
D723,041 S * 2/2015 Kim D14/440
D724,090 S * 3/2015 Kim D14/440
D727,919 S * 4/2015 Melmon D14/440

(Continued)

Primary Examiner — Cynthia R Underwood

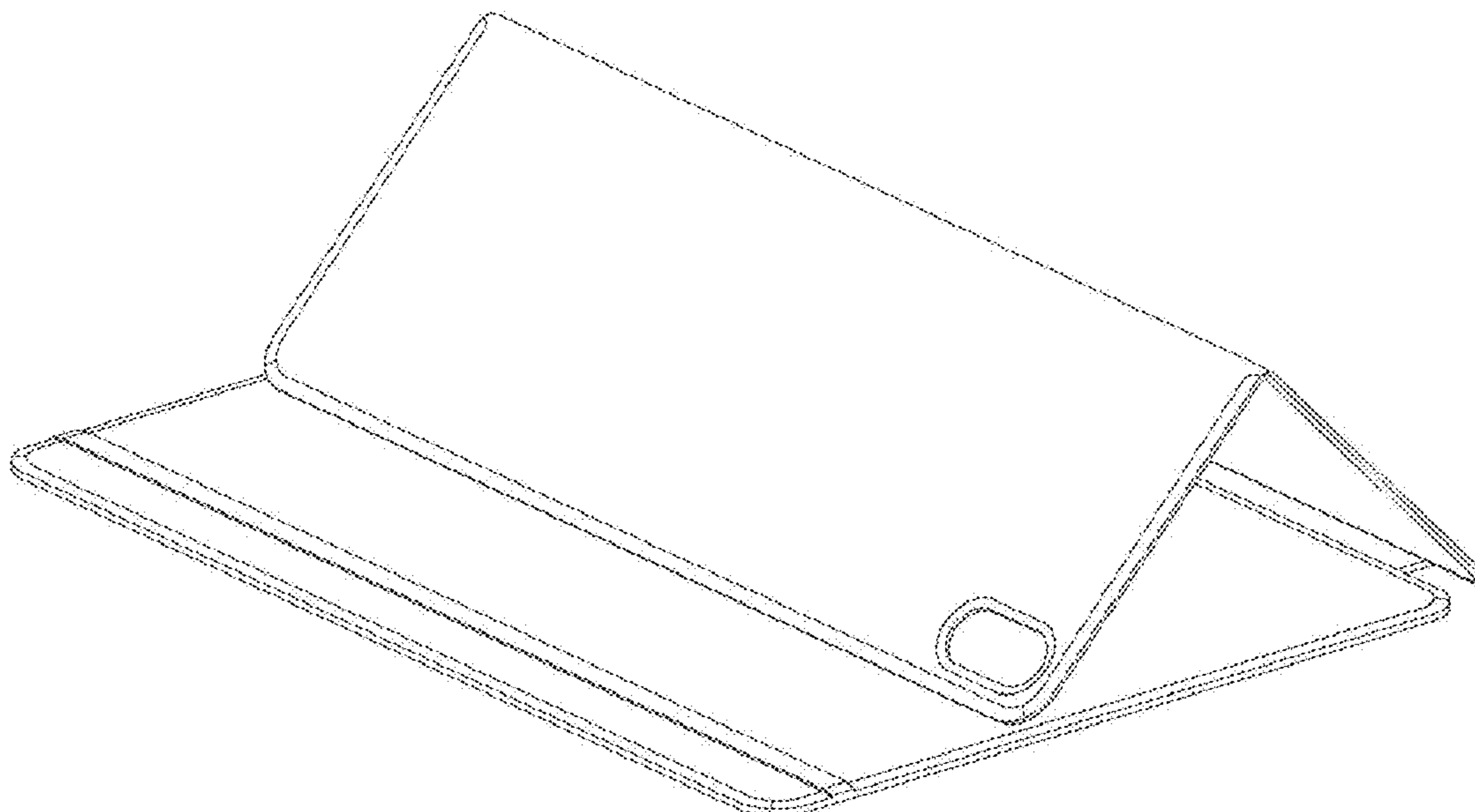
(57) **CLAIM**

The ornamental design for a tablet case, as shown and described.

DESCRIPTION

FIG. 1 is a perspective view of a tablet case showing my new design;
FIG. 2 is a top plan view thereof;
FIG. 3 is a rear elevational view thereof;
FIG. 4 is a bottom plan view thereof;
FIG. 5 is a right side view thereof;
FIG. 6 is a front elevational view thereof; and,
FIG. 7 is a left side view thereof.

1 Claim, 7 Drawing Sheets



(56)

References Cited

U.S. PATENT DOCUMENTS

2009/0194209	A1 *	8/2009	De Filippis	A45C 11/00 150/107
2011/0227463	A1 *	9/2011	Hou	A45C 9/00 312/223.1
2012/0194448	A1 *	8/2012	Rothkopf	A45C 13/002 345/173
2012/0268891	A1 *	10/2012	Cencioni	G06F 1/1626 361/679.55
2013/0088431	A1 *	4/2013	Ballagas	G06F 1/1626 345/168
2013/0223005	A1 *	8/2013	Smith	G06F 1/1628 361/679.55
2013/0233762	A1 *	9/2013	Balaji	B65D 25/00 206/736
2013/0241381	A1 *	9/2013	Hynecek	H05K 5/0217 312/240
2014/0246340	A1 *	9/2014	Jiang	A45C 11/00 206/45.23
2015/0065208	A1 *	3/2015	Balaji	H04M 1/04 455/575.8
2015/0151887	A1 *	6/2015	Huang	A45C 11/00 224/191
2015/0237979	A1 *	8/2015	Huang	A45C 11/00 206/45.25
2015/0263776	A1 *	9/2015	Shyu	A45C 13/002 455/575.8
2015/0266610	A1 *	9/2015	Melmon	B65D 5/5206 206/45.23
2015/0280768	A1 *	10/2015	Huang	H04B 1/3888 455/575.8

* cited by examiner

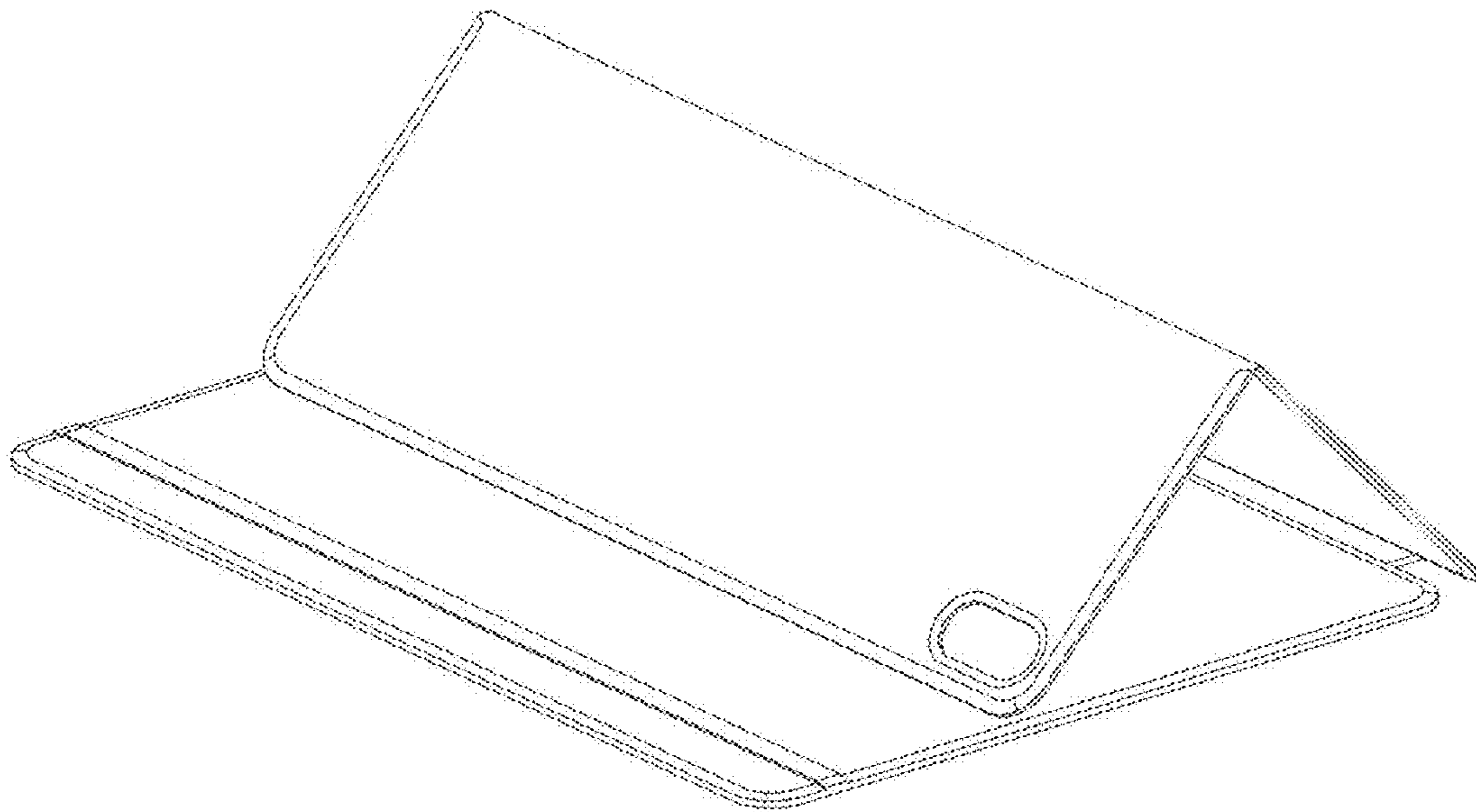


FIG.1



FIG. 2

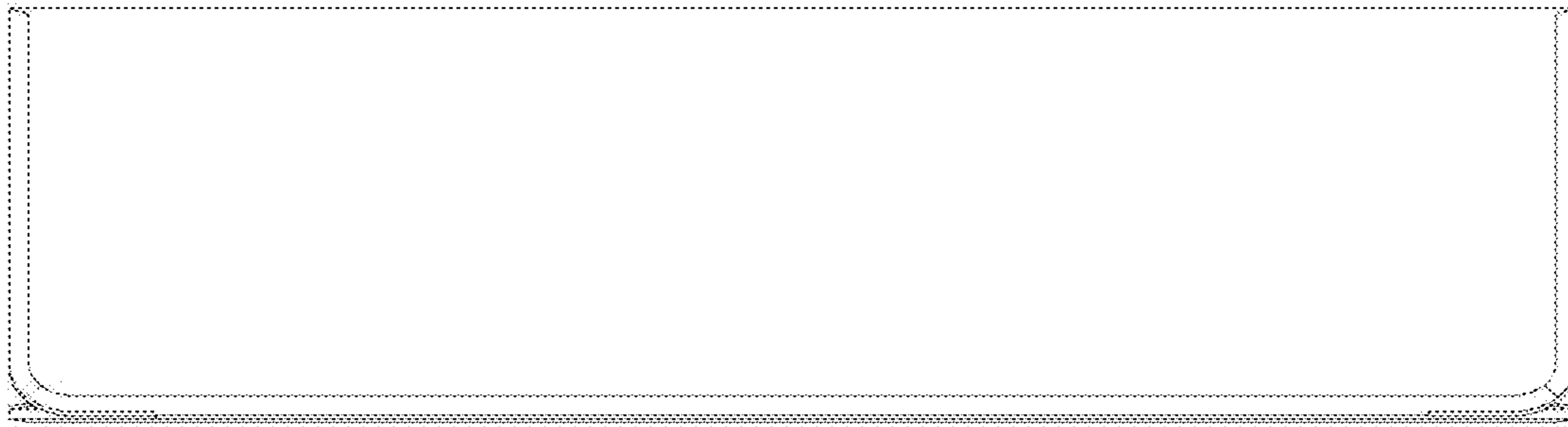


FIG.3

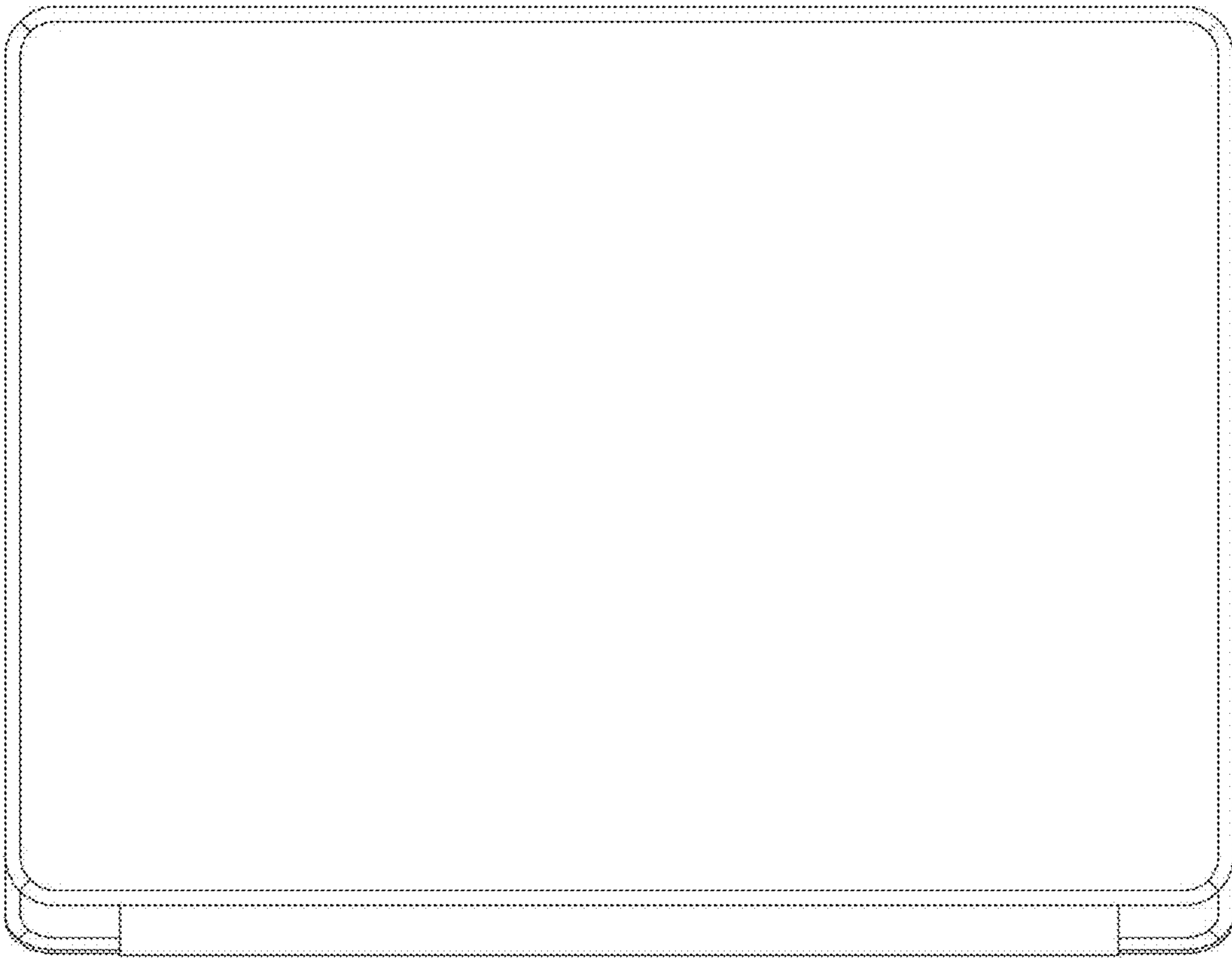


FIG.4

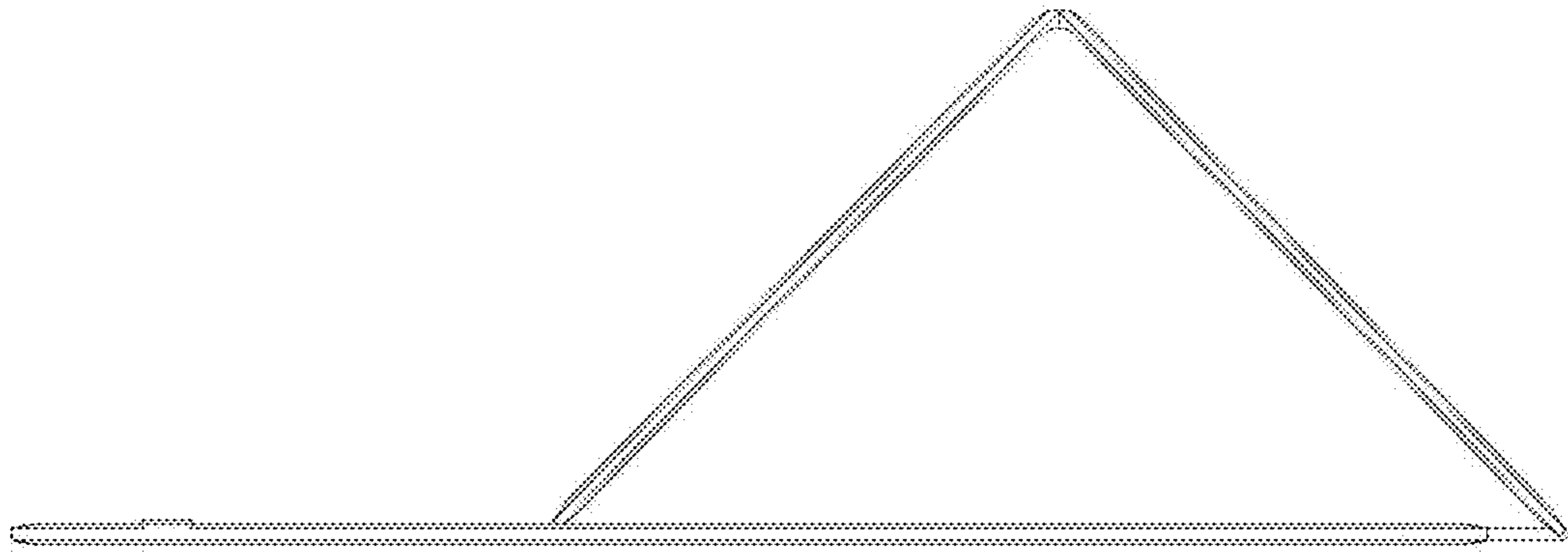


FIG.5

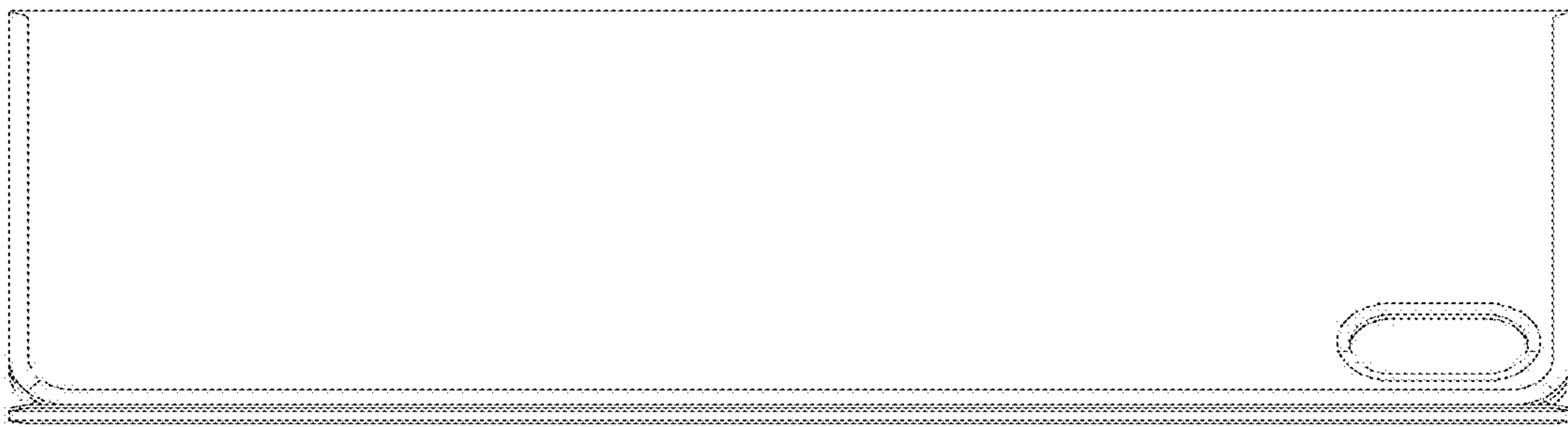


FIG. 6

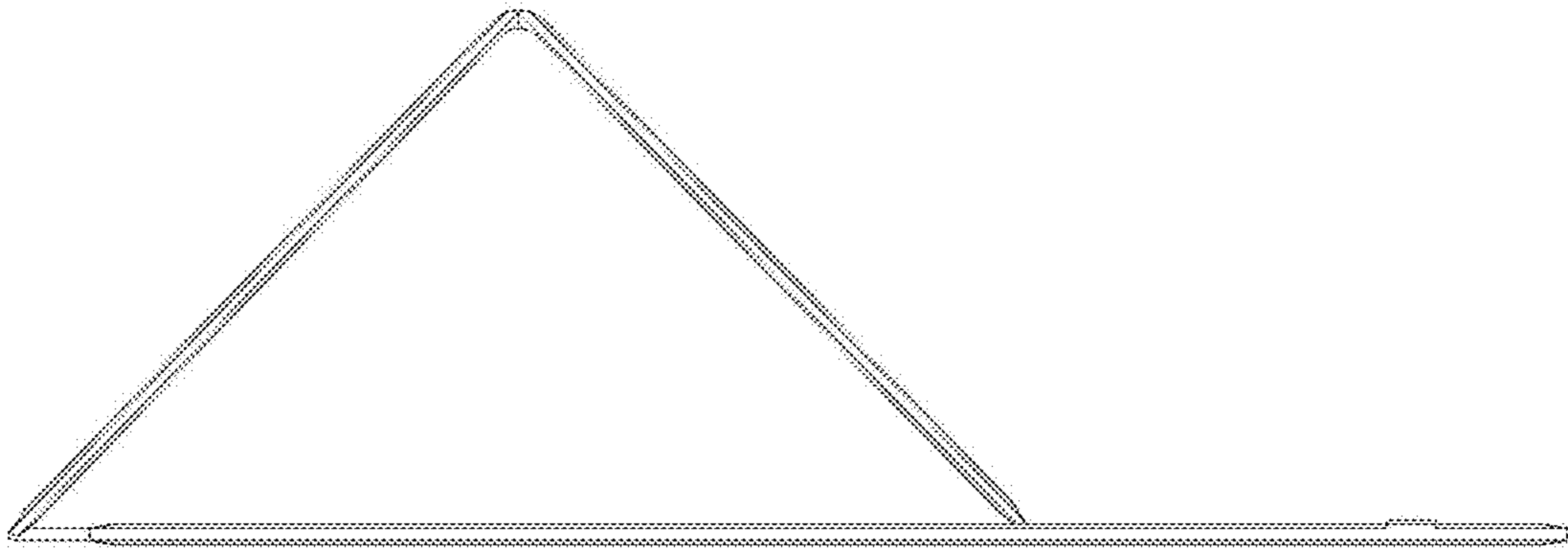


FIG.7