



US00D871412S

(12) **United States Design Patent**
Aprile et al.

(10) **Patent No.:** **US D871,412 S**
(45) **Date of Patent:** **** Dec. 31, 2019**

(54) **OPTICAL SCANNER**

(71) Applicant: **Datalogic IP Tech S.r.l.**, Lippo di Calderara di Reno (Bologna) (IT)

(72) Inventors: **Paolo Aprile**, Bologna (IT); **Enrico Lorenzoni**, Bologna (IT); **Andrea Di Chele**, Campobasso (IT); **Maurizio Brancaleoni**, Bologna (IT); **Paolo Zanetta**, Bologna (IT); **Romano Volta**, Bologna (IT); **Monica Alegiani**, Teramo (IT)

(73) Assignee: **DATALOGIC IP TECH S.R.L.**, Lippo di Calderara di Reno (BO) (IT)

(**) Term: **15 Years**

(21) Appl. No.: **29/604,795**

(22) Filed: **May 19, 2017**

(30) **Foreign Application Priority Data**

Nov. 21, 2016 (EM) 003475425
May 17, 2017 (EM) 004006542

(51) **LOC (12) Cl.** **14-02**

(52) **U.S. Cl.**
USPC **D14/420**

(58) **Field of Classification Search**

USPC D14/420, 426-430, 453, 346, 341, 347, D14/412; D13/107, 184; 358/473, 511, 358/474, 475, 505; 235/462.43, 462.45, 235/462.47, 462.48, 462.44, 462.46, 487, 235/472.01, 472.02; 16/110.1, 430, 431; 439/133, 135, 217; 709/219, 201; 710/73; 320/114, 115, 123; 361/679; 382/313, 321; 455/575.1, 561, 572; D10/66, 69, 70, 75, 46; D16/225, 234, D16/208, 219; 356/5.04, 5.01, 5.02, 5.06, 356/5.11, 4.01, 139.1, 601-623, 5.09; 359/346, 348; 372/34, 36, 83, 35, 87, 64,

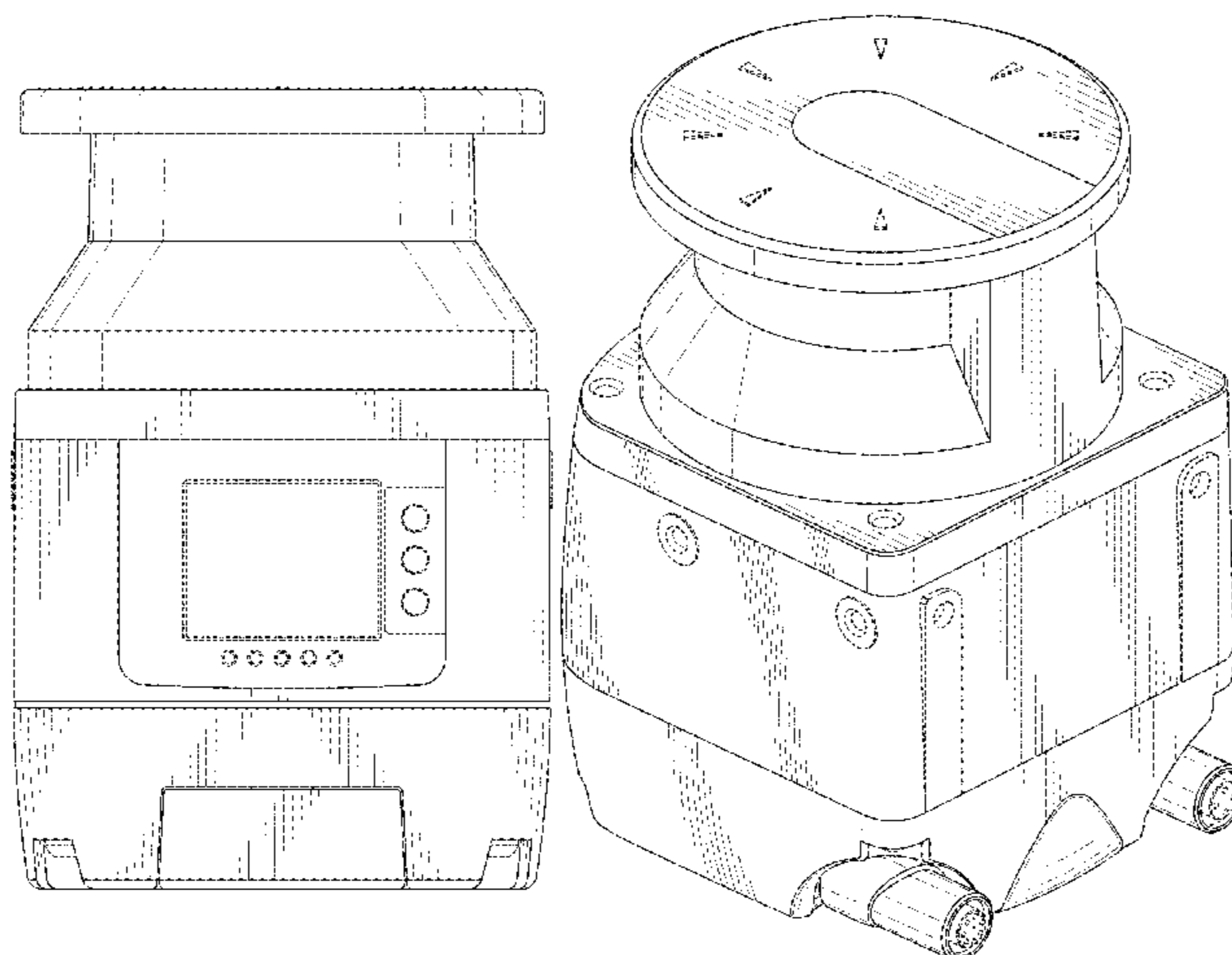
372/57, 62, 55, 68, 108, 95, 97; 348/143, 348/169; 250/328, 330, 334; 89/41.06; 701/28; 702/188; 703/6
CPC H01S 3/0315; H01S 3/0975; H01S 3/041; H01S 3/038; H01S 3/2232; H01S 3/0305; H01S 3/08081; H01S 3/08095; H01S 3/2383; G01B 11/00; G01B 11/04; G01B 11/24; G01B 11/026; G01B 11/002; G01B 11/2518; G02B 26/10; G02B 26/101; G01C 15/00; G01C 15/002; G01C 15/006; G01C 15/008; G01S 17/02; G01S 17/023; G01S 17/42; G01S 17/89; G01S 17/08; G01S 17/10; G01S 7/4817; G01S 7/497; G01S 7/487; G01S 7/481; G01S 7/4813; G01S 7/4812; G05B 9/00; G05B 9/02; H01R 29/00; G01N 27/9006; G01N 27/9013; G01J 1/0488; G01J 1/0414; G01V 8/18; G01V 8/22; G01V 8/26

See application file for complete search history.

(56) **References Cited**

U.S. PATENT DOCUMENTS

4,542,986 A * 9/1985 Berdanier G01S 7/4811
250/334
4,626,053 A * 12/1986 Fayfield H01R 29/00
439/222
4,806,761 A * 2/1989 Carson H01L 27/14649
250/332
4,902,128 A * 2/1990 Siebecker F41G 3/065
250/332
4,983,837 A * 1/1991 Cooper H04N 3/09
250/334
5,204,489 A * 4/1993 Pellarin F41G 3/065
359/403
5,212,533 A * 5/1993 Shibuya G01C 1/02
356/5.15
5,479,016 A * 12/1995 Curry G01J 5/02
250/332
5,530,246 A * 6/1996 Hawkins G02B 23/04
250/330
5,877,688 A * 3/1999 Morinaka G01S 7/4813
340/584
6,034,803 A * 3/2000 Sullivan G01S 7/4811
356/141.1
D439,532 S * 3/2001 Off D10/81



US D871,412 S

Page 2

6,374,024	B1 *	4/2002	Iijima	G02B 3/0012 257/E27.147	2013/0250302	A1 *	9/2013	Kramer	G01S 17/42 356/434
6,721,262	B1 *	4/2004	Jordache	G11B 7/1387 720/672	2014/0166866	A1 *	6/2014	Gehring	G01S 17/42 250/234
D504,074	S *	4/2005	Tsujimura	D10/46	2014/0184794	A1 *	7/2014	Coombs	G01N 27/90 348/143
D531,525	S *	11/2006	Dold	D10/46	2014/0211194	A1 *	7/2014	Pacala	G01S 7/4813 356/5.01
7,358,498	B2 *	4/2008	Geng	G08B 13/19608 250/347	2014/0240691	A1 *	8/2014	Mheen	G01S 17/89 356/4.07
7,545,485	B2 *	6/2009	Okada	G01S 7/4812 356/4.01	2016/0011594	A1 *	1/2016	Chung	G05D 1/0231 701/28
D606,426	S *	12/2009	Chen	D10/46	2016/0047901	A1 *	2/2016	Pacala	G01S 7/4815 356/5.01
D616,481	S *	5/2010	Wampler	D16/208	2016/0155306	A1 *	6/2016	Kawanaka	F16P 3/142 340/555
8,059,263	B2 *	11/2011	Haberer	G01S 7/4811 356/28.5	2016/0163171	A1 *	6/2016	Yamazaki	G08B 13/194 348/152
D654,383	S *	2/2012	Pfrenge	D10/46	2017/0269209	A1 *	9/2017	Hall	G01S 17/42
D659,030	S *	5/2012	Anselment	D10/46	2017/0299700	A1 *	10/2017	Pacala	G01S 17/42
8,319,171	B2 *	11/2012	Kawabata	G01S 7/4812 250/206.1	2017/0322074	A1 *	11/2017	Corrain	G01J 1/0414
8,675,181	B2 *	3/2014	Hall	G01C 1/04 356/3.01	2017/0322075	A1 *	11/2017	Lorenzoni	G01J 1/0414
8,735,792	B2 *	5/2014	Hammes	G06K 9/2027 250/205	2017/0347037	A1 *	11/2017	Hall	G02B 23/00
D712,759	S *	9/2014	Forsberg	D10/66	2017/0350983	A1 *	12/2017	Hall	G01C 1/06
8,836,922	B1 *	9/2014	Pennecot	G01S 17/89 356/4.01	2018/0011175	A1 *	1/2018	Faetani	G01S 7/4817
D737,695	S *	9/2015	Angenendt	D10/46	2018/0144638	A1 *	5/2018	Alessi	B60Q 1/525
9,225,914	B2 *	12/2015	Kingdon	H04N 5/33	2019/0187255	A1 *	6/2019	Jang	G01S 7/481
D752,998	S *	4/2016	Robinson	D10/65	2019/0235060	A1 *	8/2019	Iwasawa	G01S 17/42
D768,013	S *	10/2016	Stecker	D10/70	2019/0242982	A1 *	8/2019	Wang	G01S 7/4817
D772,737	S *	11/2016	Robinson	D10/65	2019/0243023	A1 *	8/2019	Steinkogler	G01S 17/42
D797,582	S *	9/2017	Ewringmann	D10/70	2019/0250251	A1 *	8/2019	Gibson	G01S 7/4813
9,753,178	B2 *	9/2017	Beckey	C09J 5/00	2019/0250255	A1 *	8/2019	Frucht	G01S 7/4817
RE46,672	E *	1/2018	Hall		2019/0253701	A1 *	8/2019	Himel	H04N 17/002
D814,950	S *	4/2018	Inskeep	D10/70					
D816,518	S *	5/2018	Brown	E06B 9/24 D10/46					
D818,853	S *	5/2018	Golnik	D10/70					
D821,232	S *	6/2018	Ewringmann	D10/70					
10,063,849	B2 *	8/2018	Pacala	H04N 13/395					
D830,864	S *	10/2018	Worden	D10/75					
10,109,183	B1 *	10/2018	Franz	G08C 23/04					
10,122,416	B2 *	11/2018	Berger	H04B 5/0037					
10,222,475	B2 *	3/2019	Pacala	G02B 27/0955					
D849,573	S *	5/2019	Haban	D10/70					
10,359,507	B2 *	7/2019	Berger	G01S 7/497					
10,373,451	B2 *	8/2019	Fayfield	G08B 21/182					
2002/0143506	A1 *	10/2002	D'Aligny	G01B 11/002 703/6					
2003/0090646	A1 *	5/2003	Riegl	G01C 15/002 356/3					
2005/0168720	A1 *	8/2005	Yamashita	G01S 7/4817 356/4.01					
2006/0197867	A1 *	9/2006	Johnson	F16M 11/10 348/373					
2008/0278715	A1 *	11/2008	Swenson	G01S 7/4812 356/141.5					
2009/0002678	A1 *	1/2009	Tanaka	G01S 7/4813 356/4.01					
2009/0166424	A1 *	7/2009	Gerst	G06K 7/10722 235/462.2					
2009/0168045	A1 *	7/2009	Lin	G01C 15/002 356/4.01					
2009/0238442	A1 *	9/2009	Upham	G01R 31/2896 382/145					
2010/0046953	A1 *	2/2010	Shaw	H01S 5/423 398/115					
2011/0032398	A1 *	2/2011	Lenchenkov	H01L 27/14621 348/294					
2011/0077814	A1 *	3/2011	Haberer	G01S 7/4812 701/28					
2011/0216304	A1 *	9/2011	Hall	G01S 7/4813 356/4.01					
2012/0026466	A1 *	2/2012	Zhou	A61B 3/1015 351/214					
2012/0249996	A1 *	10/2012	Tanaka	G01S 7/4817 356/4.01					

OTHER PUBLICATIONS

Banner Engineering SX Series Safety Laser Scanner, Oct. 2018, SX5-B <https://www.bannerengineering.com/us/en/products/machine-safety/safety-laser-scanners/sx-series.html?sort=4#all> (Year: 2018).*

* cited by examiner

Primary Examiner — Susan Moon Lee
(74) *Attorney, Agent, or Firm* — Stoel Rives LLP

(57) CLAIM

We claim the ornamental design for an optical scanner, as shown and described.

DESCRIPTION

FIG. 1 is a front isometric view of an optical scanner showing the new design;
 FIG. 2 is a left side elevation view thereof;
 FIG. 3 is a right side elevation view thereof;
 FIG. 4 is a front elevation view thereof;
 FIG. 5 is a rear elevation view thereof;
 FIG. 6 is a top plan view thereof;
 FIG. 7 is a bottom view thereof;
 FIG. 8 is a front isometric view of the optical scanner according to a second embodiment;
 FIG. 9 is a left side elevation view thereof;
 FIG. 10 is a right side elevation view thereof;
 FIG. 11 is a front elevation view thereof;
 FIG. 12 is a rear elevation view thereof;
 FIG. 13 is a top plan view thereof; and,
 FIG. 14 is a bottom view thereof.

The broken lines and unshaded portions contained within broken lines depict unclaimed features of the optical scanner that form no part of the design claim but are shown for illustrative purposes.

1 Claim, 14 Drawing Sheets

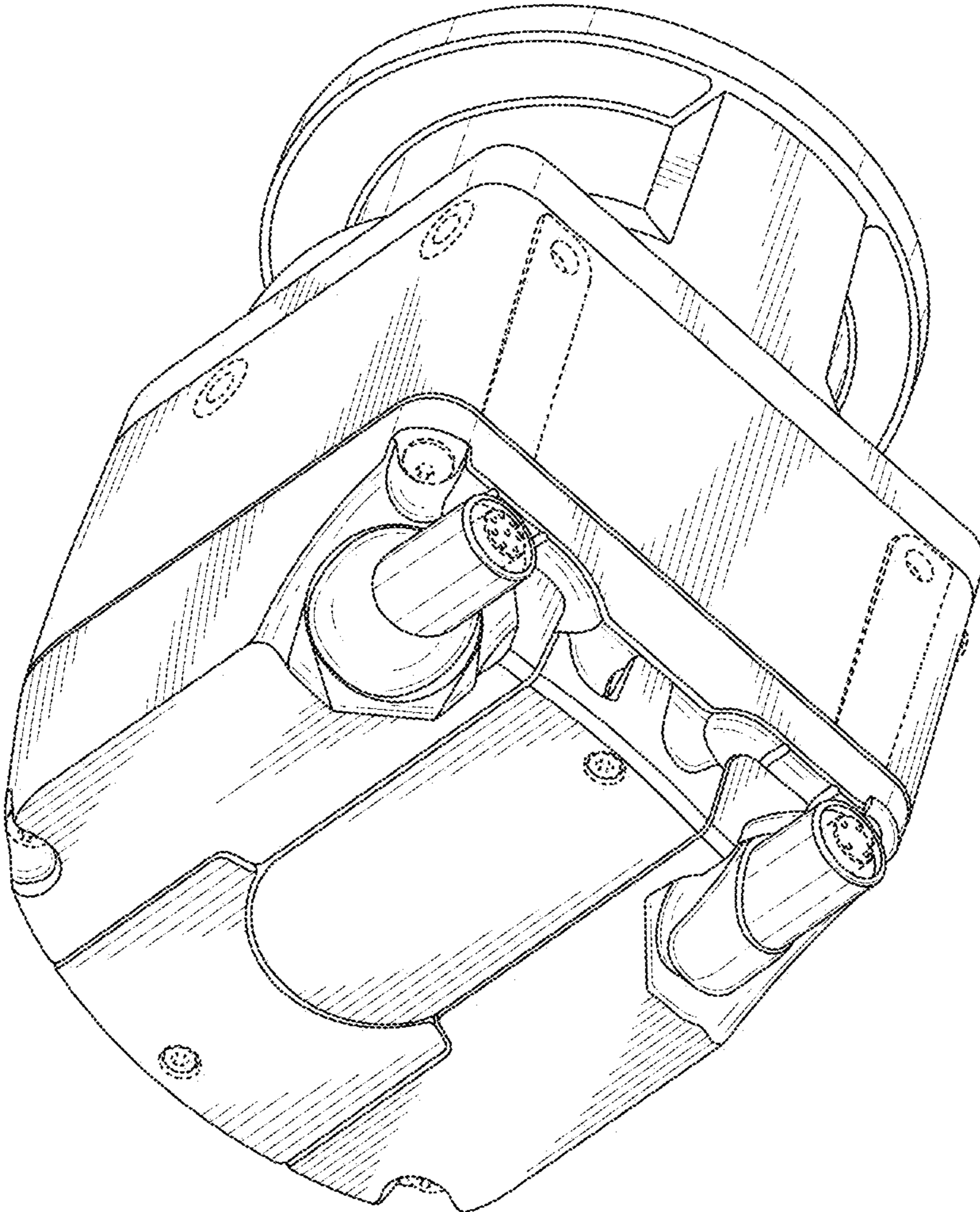


FIG. 1

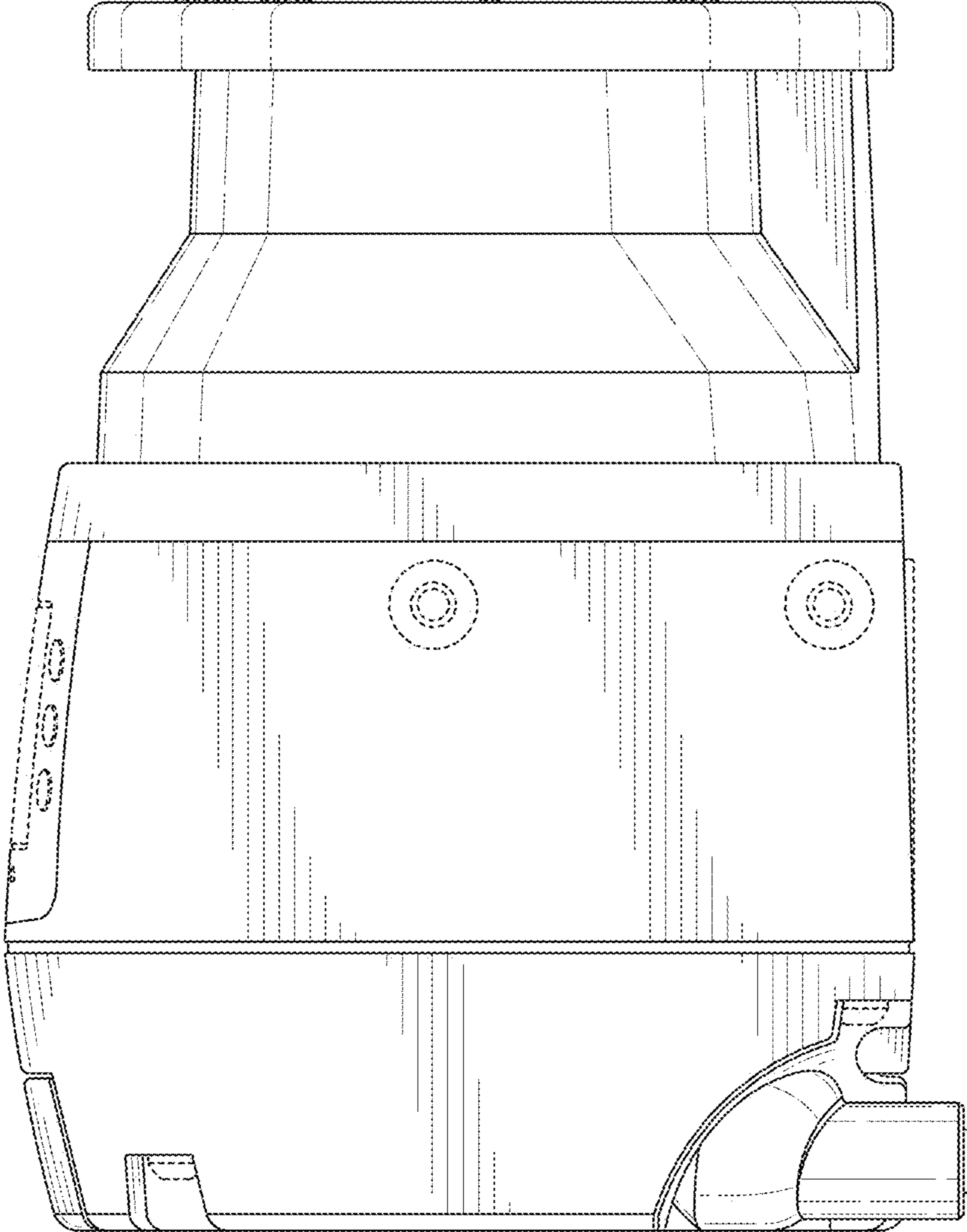


FIG. 2

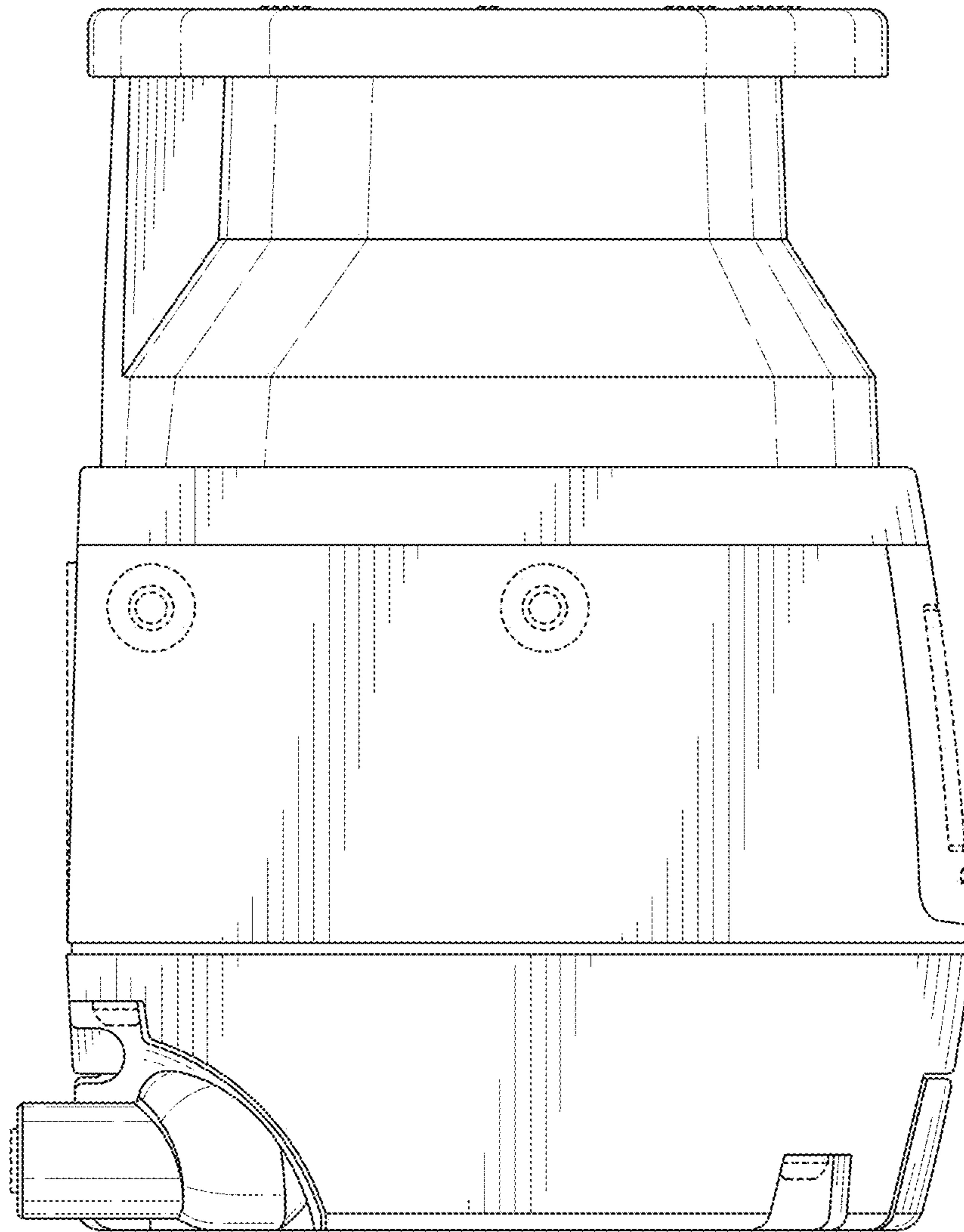


FIG. 3

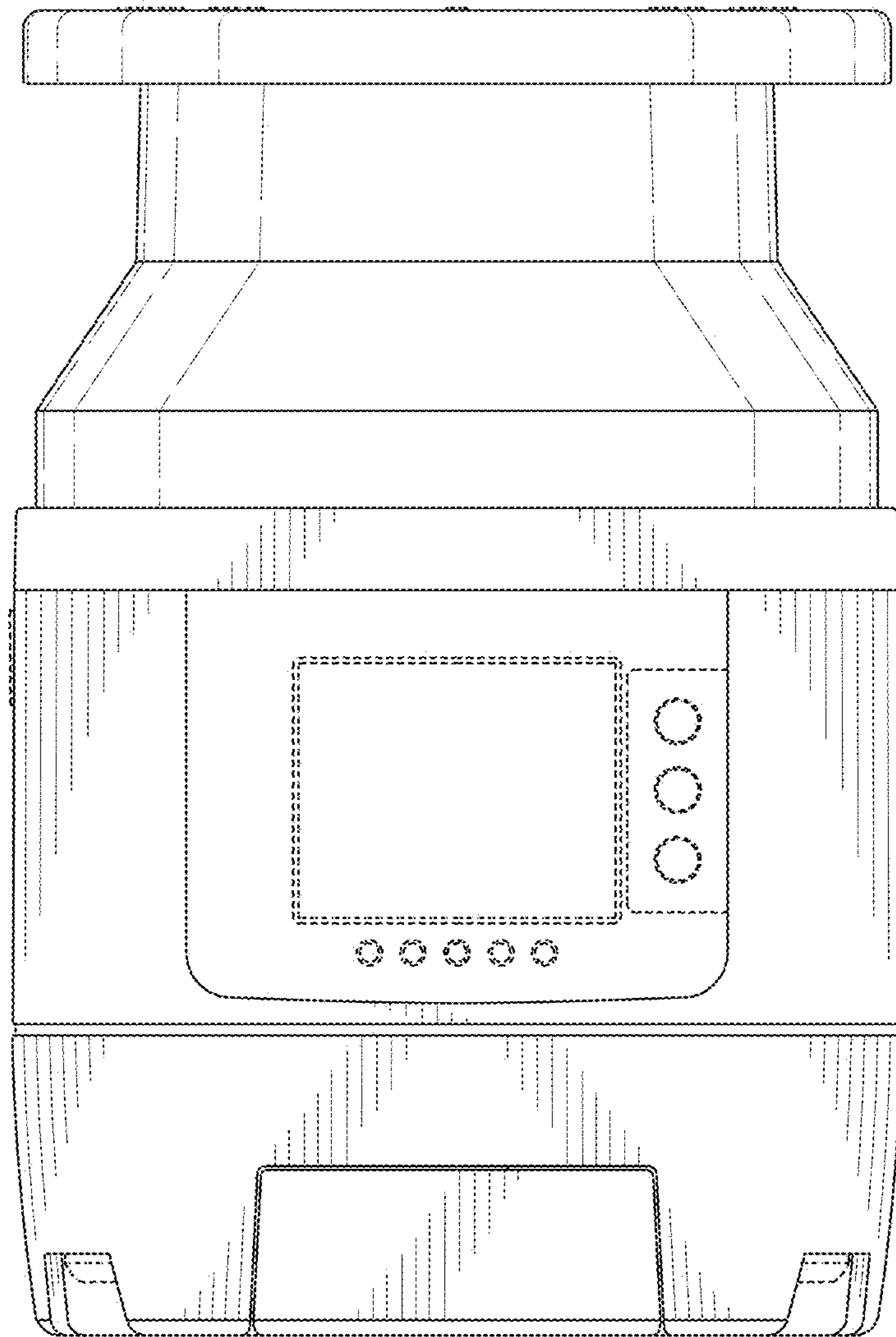


FIG. 4

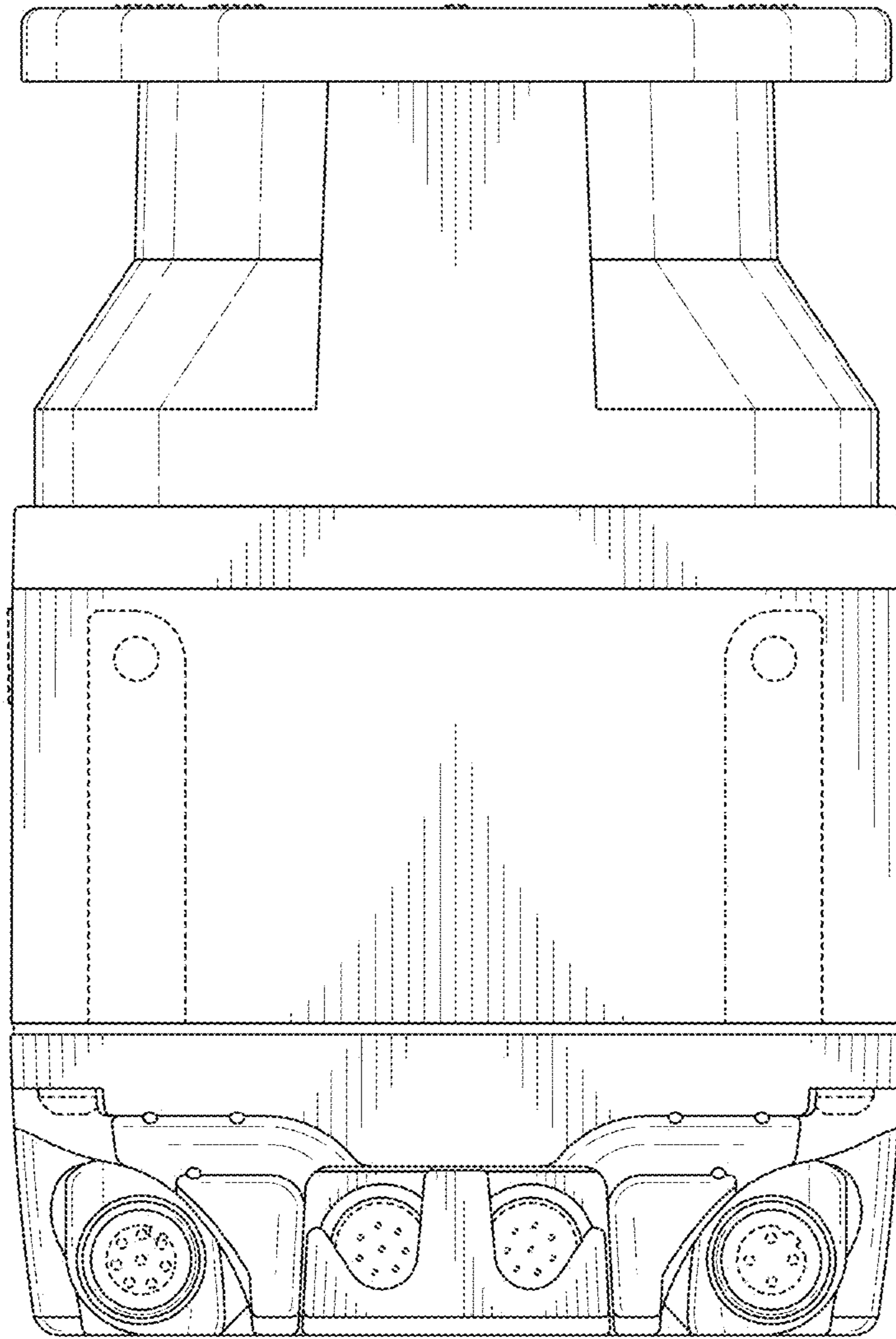


FIG. 5

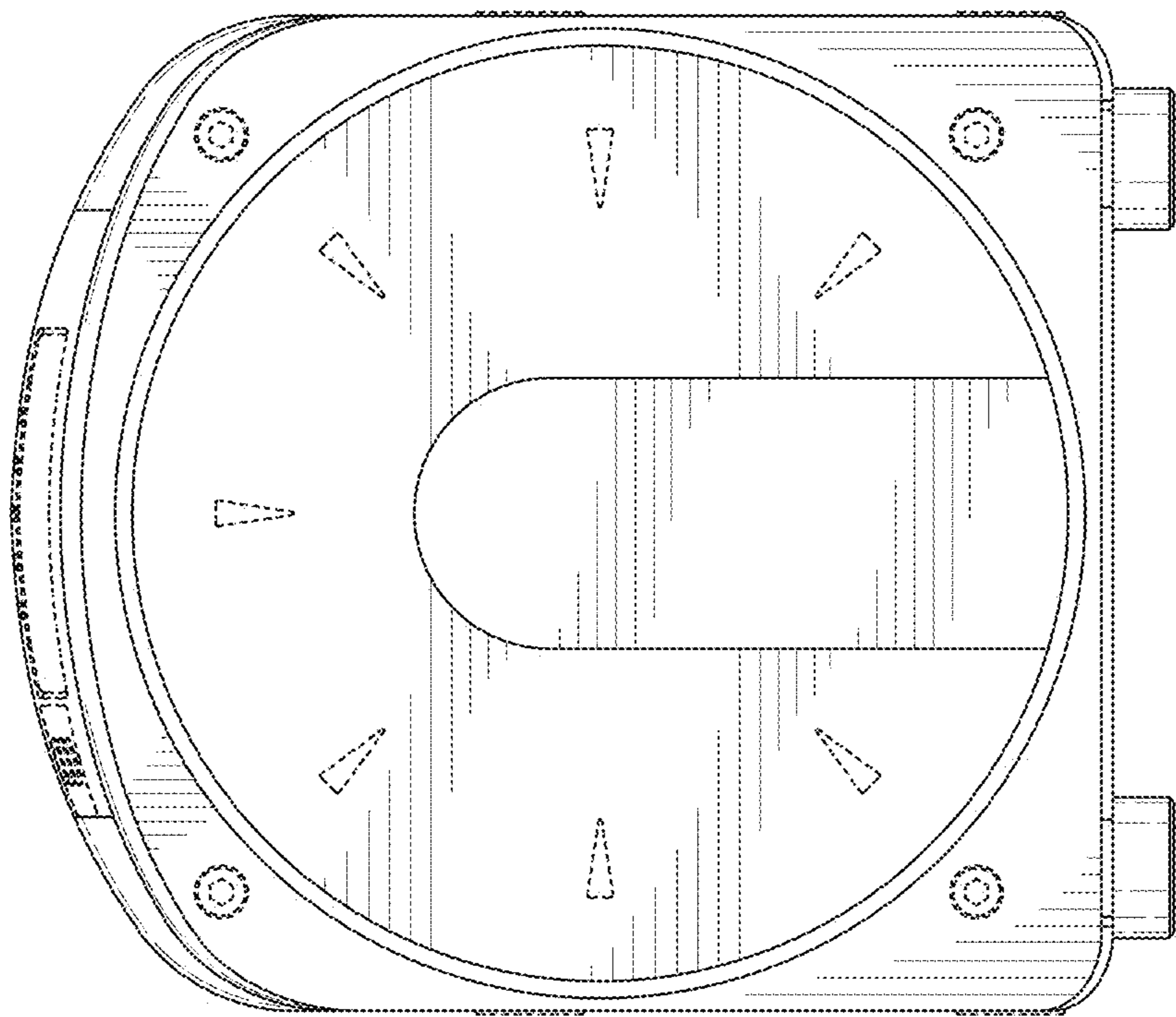


FIG. 6

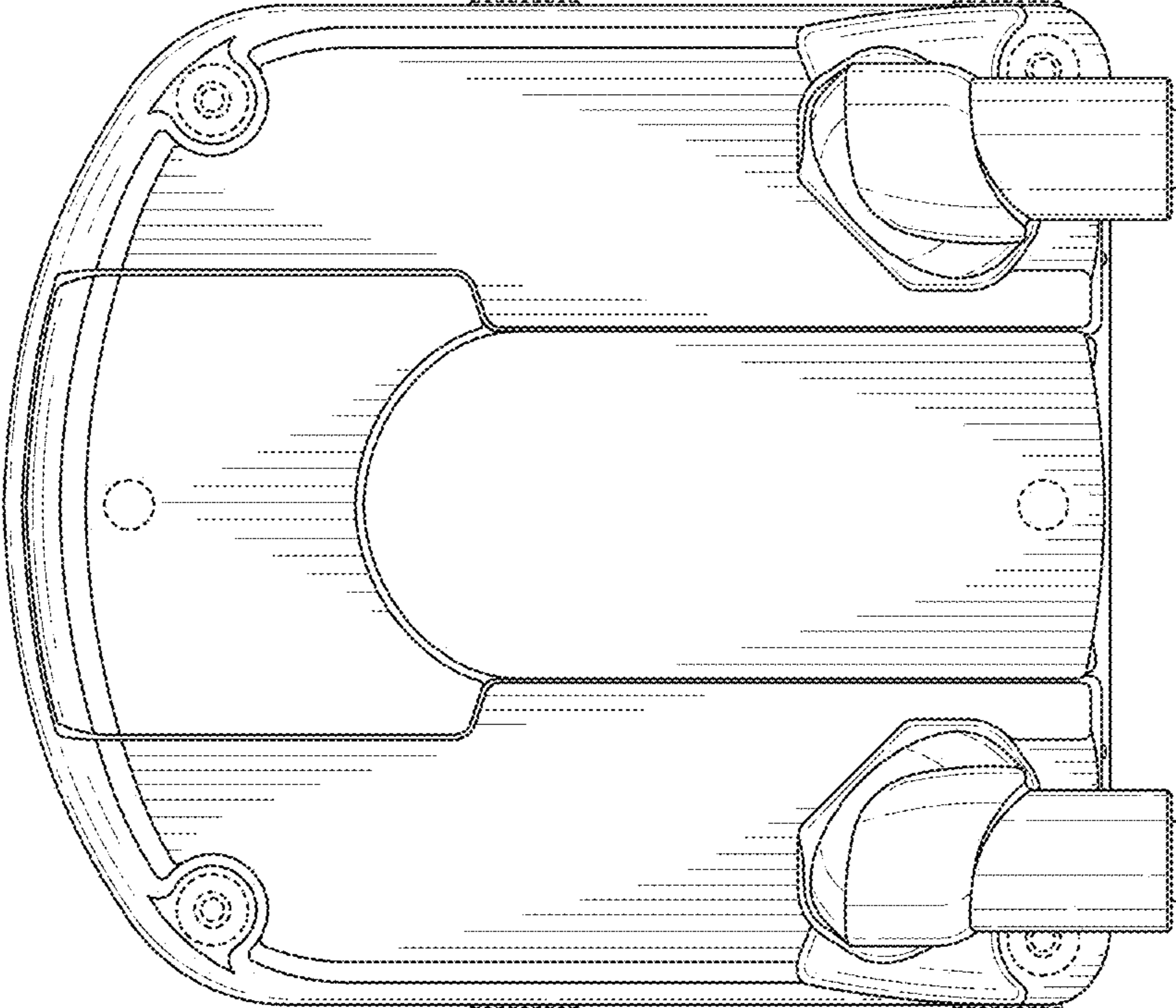


FIG. 7

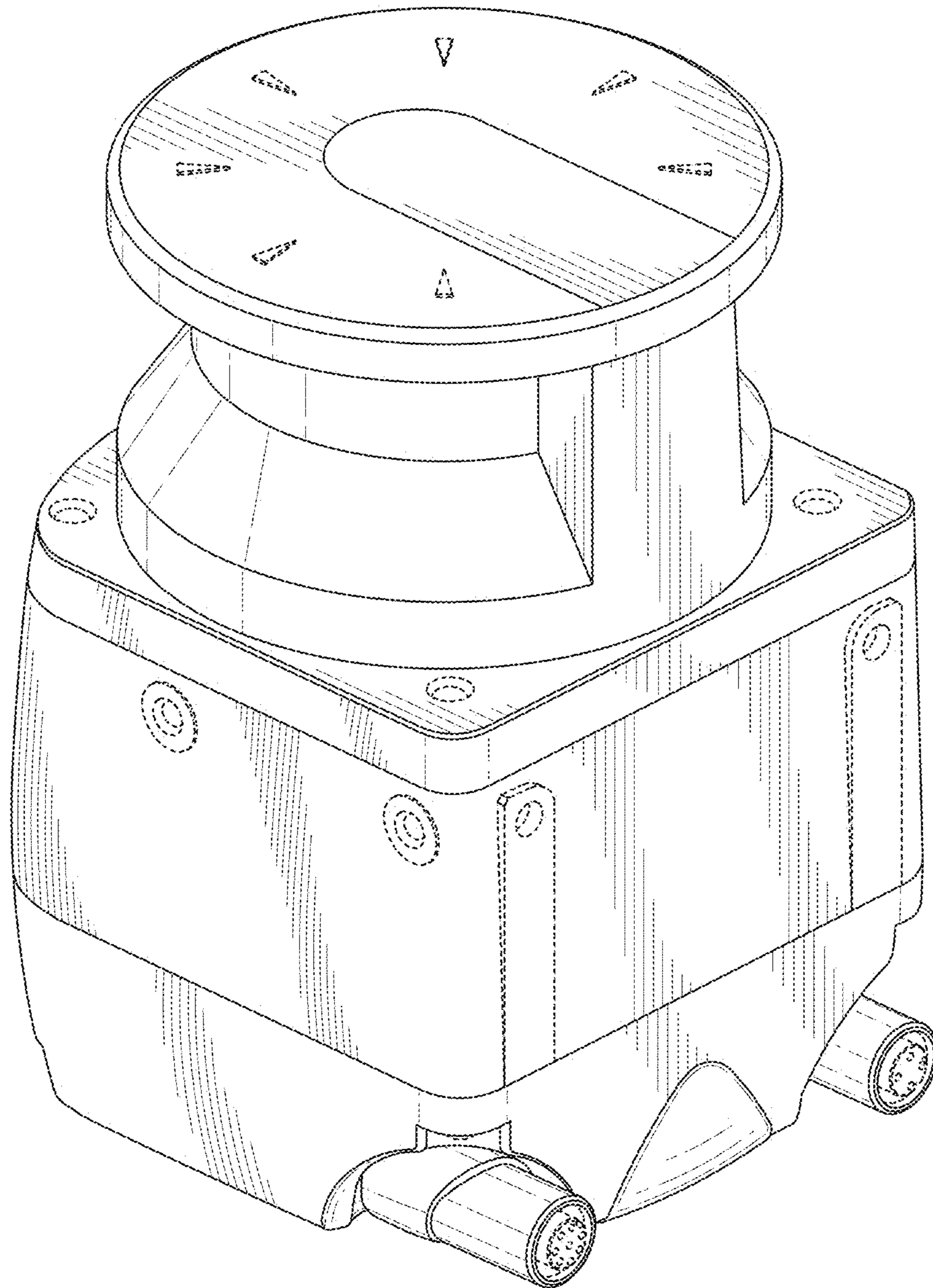


FIG. 8

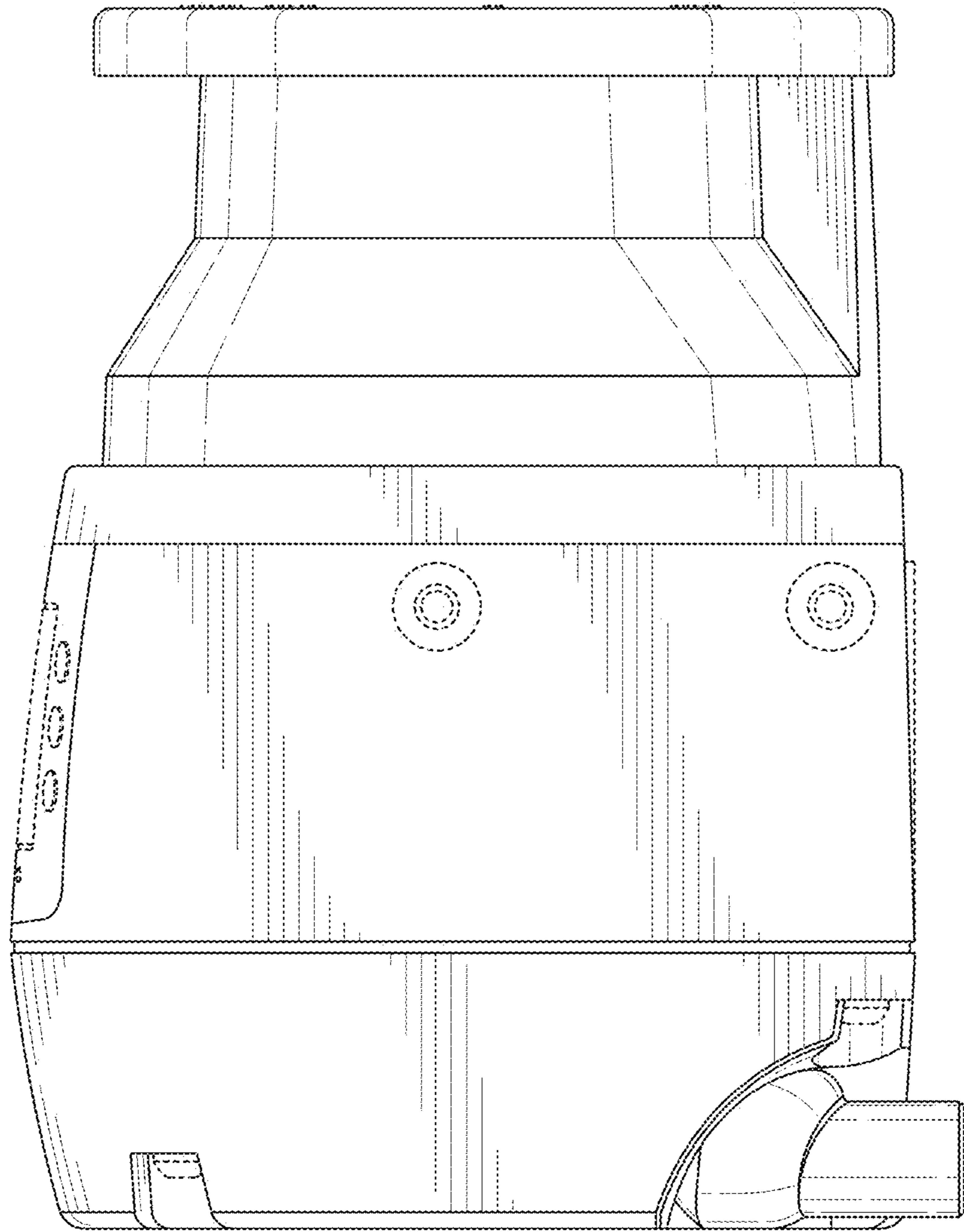


FIG. 9

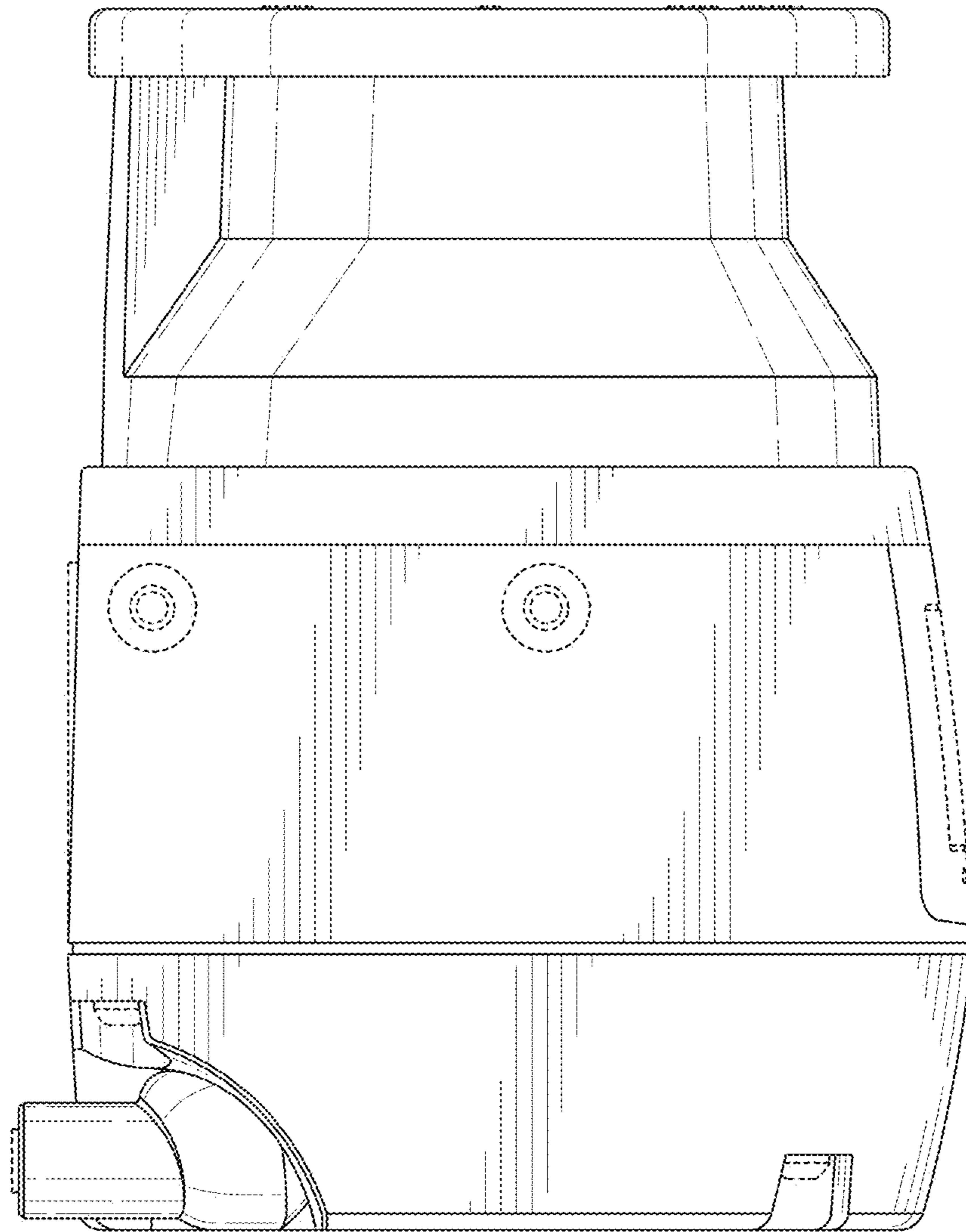


FIG. 10

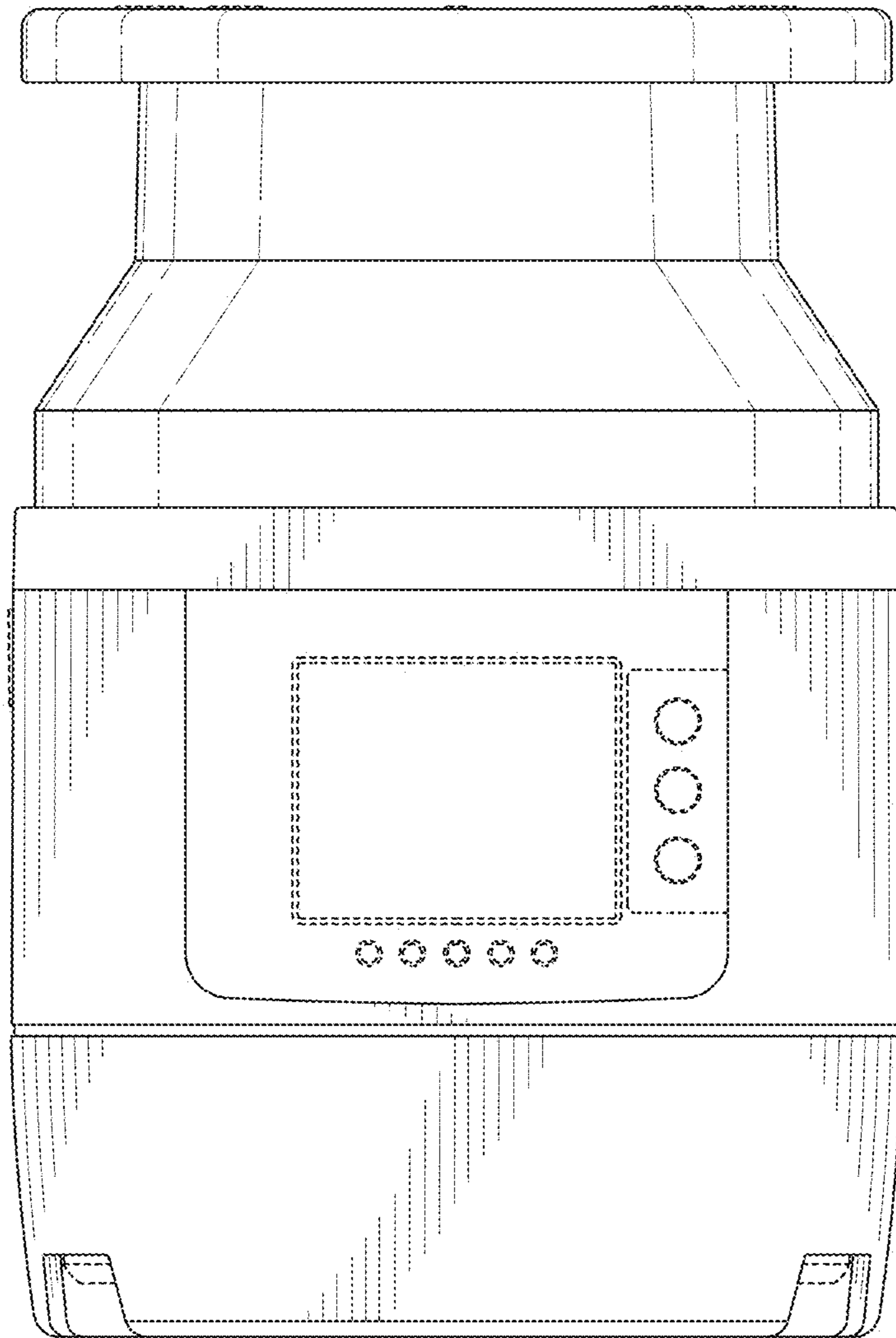


FIG. 11

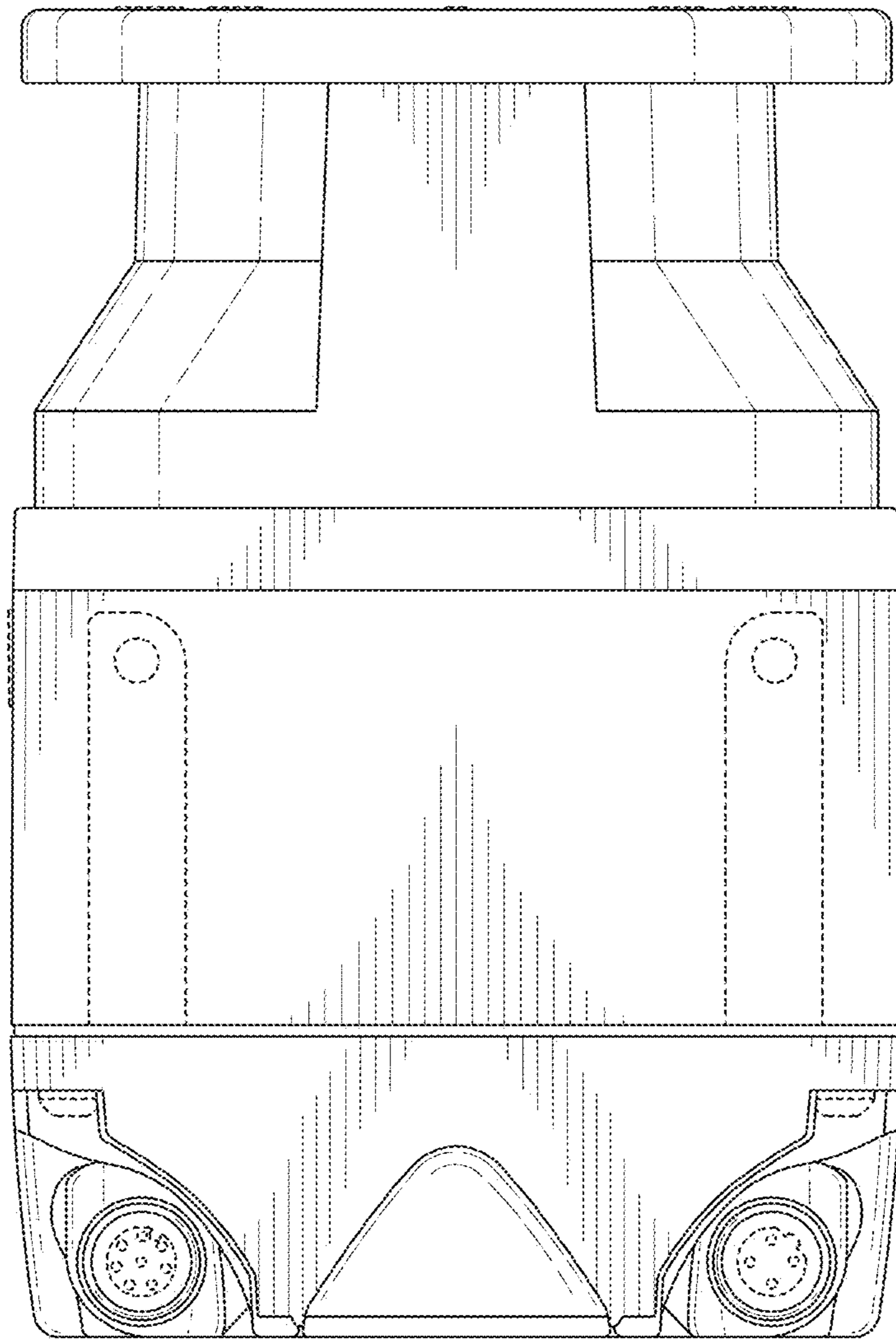


FIG. 12

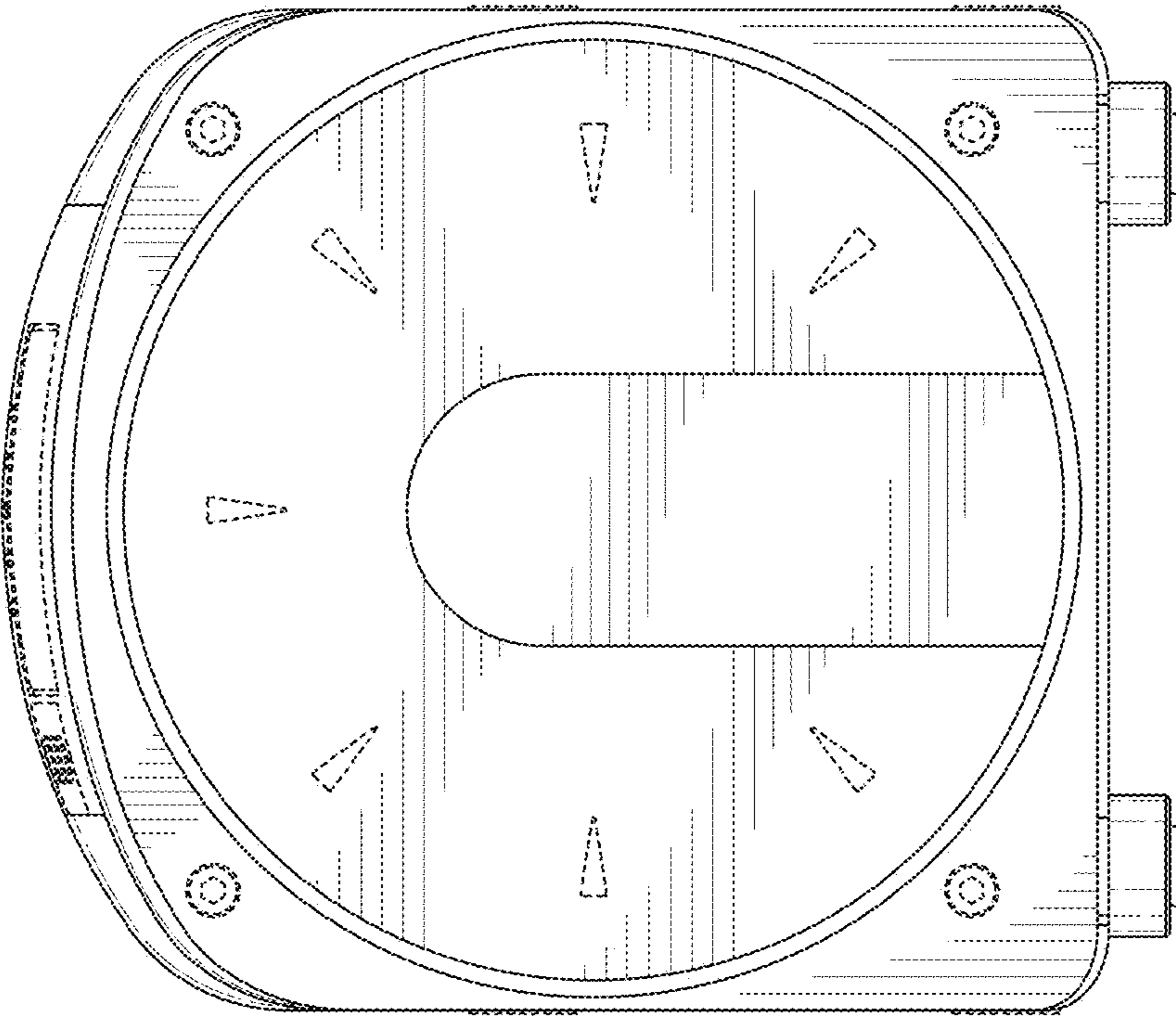


FIG. 13

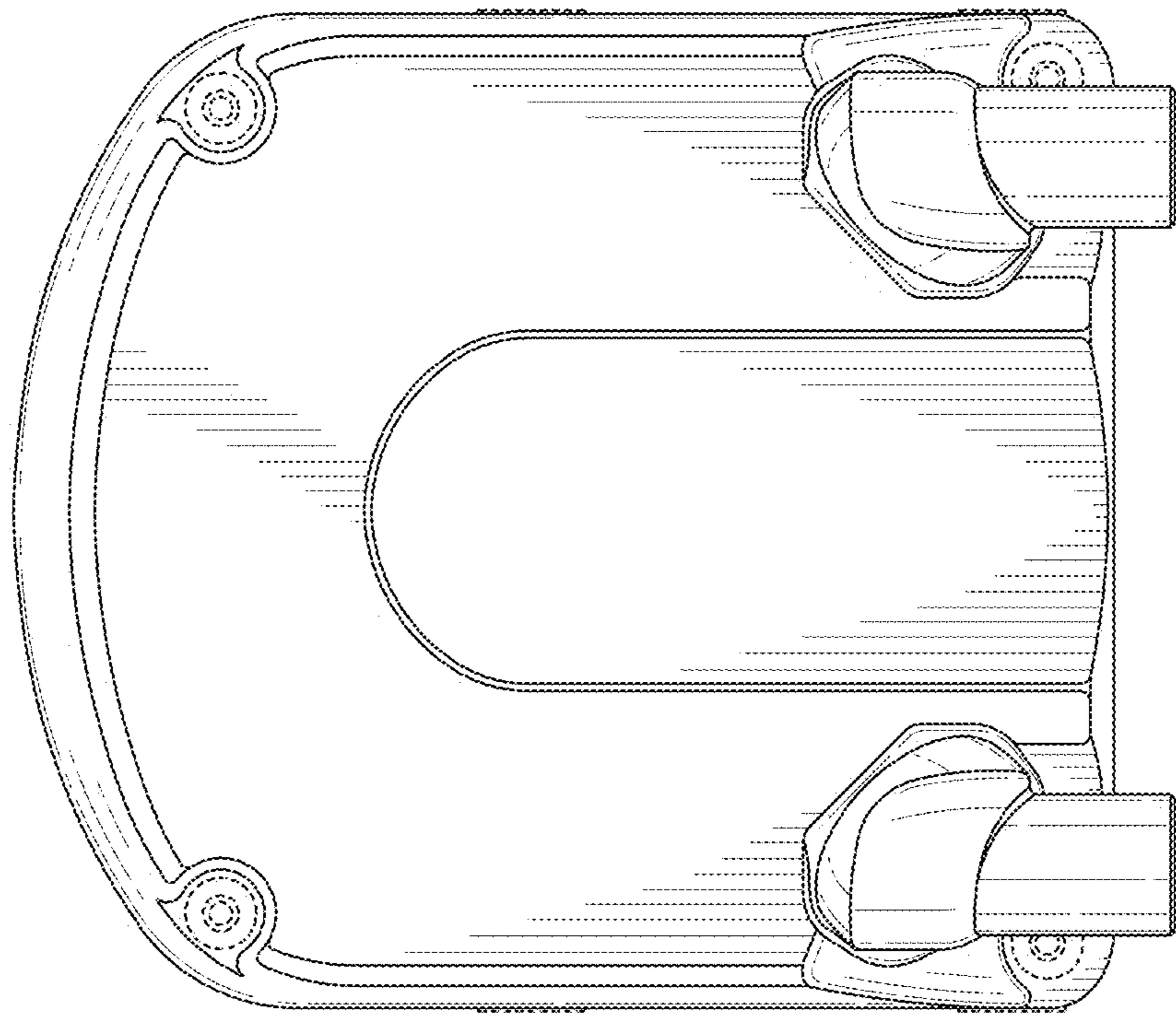


FIG. 14