



US00D871410S

(12) **United States Design Patent**
Norwalk et al.

(10) **Patent No.:** **US D871,410 S**
(45) **Date of Patent:** **** Dec. 31, 2019**

(54) **COMPUTER MOUSE**

- (71) Applicant: **Key Ovation, LLC**, Cedar Park, TX (US)
- (72) Inventors: **Mark Norwalk**, Austin, TX (US);
Jason Cunningham, Leander, TX (US);
Chris Linegar, Sydney (AU)
- (73) Assignee: **Key Ovation, LLC**, Cedar Park, TX (US)
- (**) Term: **15 Years**
- (21) Appl. No.: **29/640,442**
- (22) Filed: **Mar. 14, 2018**
- (51) **LOC (12) Cl.** **14-03**
- (52) **U.S. Cl.**
USPC **D14/402**
- (58) **Field of Classification Search**
USPC D14/402-411, 356, 388, 389, 383-385,
D14/417, 426; 345/156-167; 463/36-38;
358/471, 473; 273/148 B
(Continued)

(56) **References Cited**

U.S. PATENT DOCUMENTS

- D591,748 S * 5/2009 Hu D14/402
 - D633,911 S * 3/2011 Tzeng D14/402
- (Continued)

Primary Examiner — Austin Murphy

(74) *Attorney, Agent, or Firm* — Dykema Gossett PLLC

(57) **CLAIM**

We claim the ornamental design for a computer mouse, as shown and described.

DESCRIPTION

FIG. 1 is an isometric view of a computer mouse in a first configuration.

FIG. 2 is a top view of the computer mouse depicted in FIG. 1.

FIG. 3 is a bottom view of the computer mouse depicted in FIG. 1.

FIG. 4 is a right side elevational view of the computer mouse depicted in FIG. 1.

FIG. 5 is a left side elevational view of the computer mouse depicted in FIG. 1.

FIG. 6 is a front view of the computer mouse depicted in FIG. 1.

FIG. 7 is a back view of the computer mouse depicted in FIG. 1.

FIG. 8 is an isometric view of a computer mouse in a second configuration.

FIG. 9 is a top view of the computer mouse depicted in FIG. 8.

FIG. 10 is a bottom view of the computer mouse depicted in FIG. 8.

FIG. 11 is a right side elevational view of the computer mouse depicted in FIG. 8.

FIG. 12 is a left side elevational view of the computer mouse depicted in FIG. 8.

FIG. 13 is a front view of the computer mouse depicted in FIG. 8.

FIG. 14 is a back view of the computer mouse depicted in FIG. 8.

FIG. 15 is an isometric view of a computer mouse in a third configuration.

FIG. 16 is a top view of the computer mouse depicted in FIG. 15.

FIG. 17 is a bottom view of the computer mouse depicted in FIG. 15.

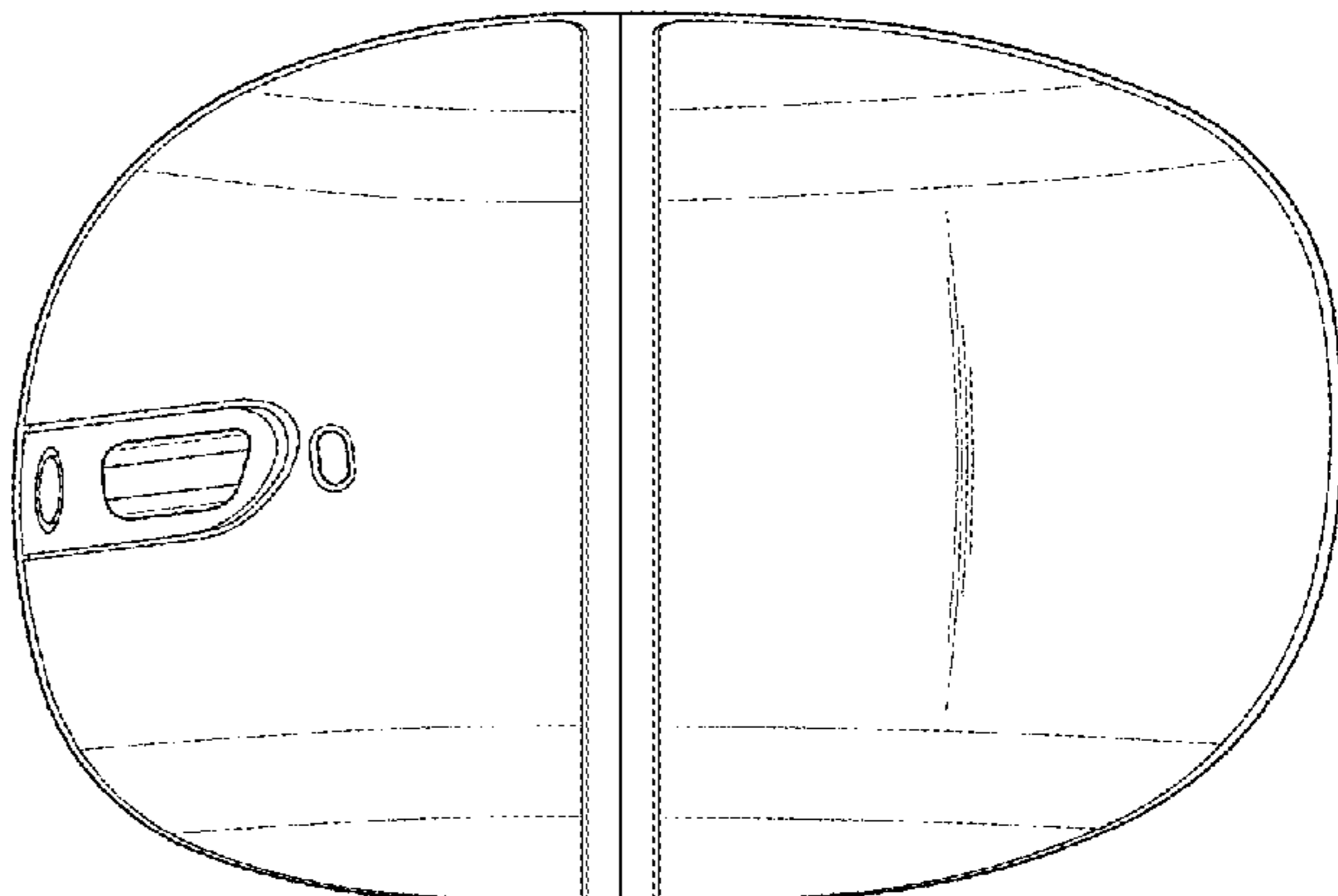
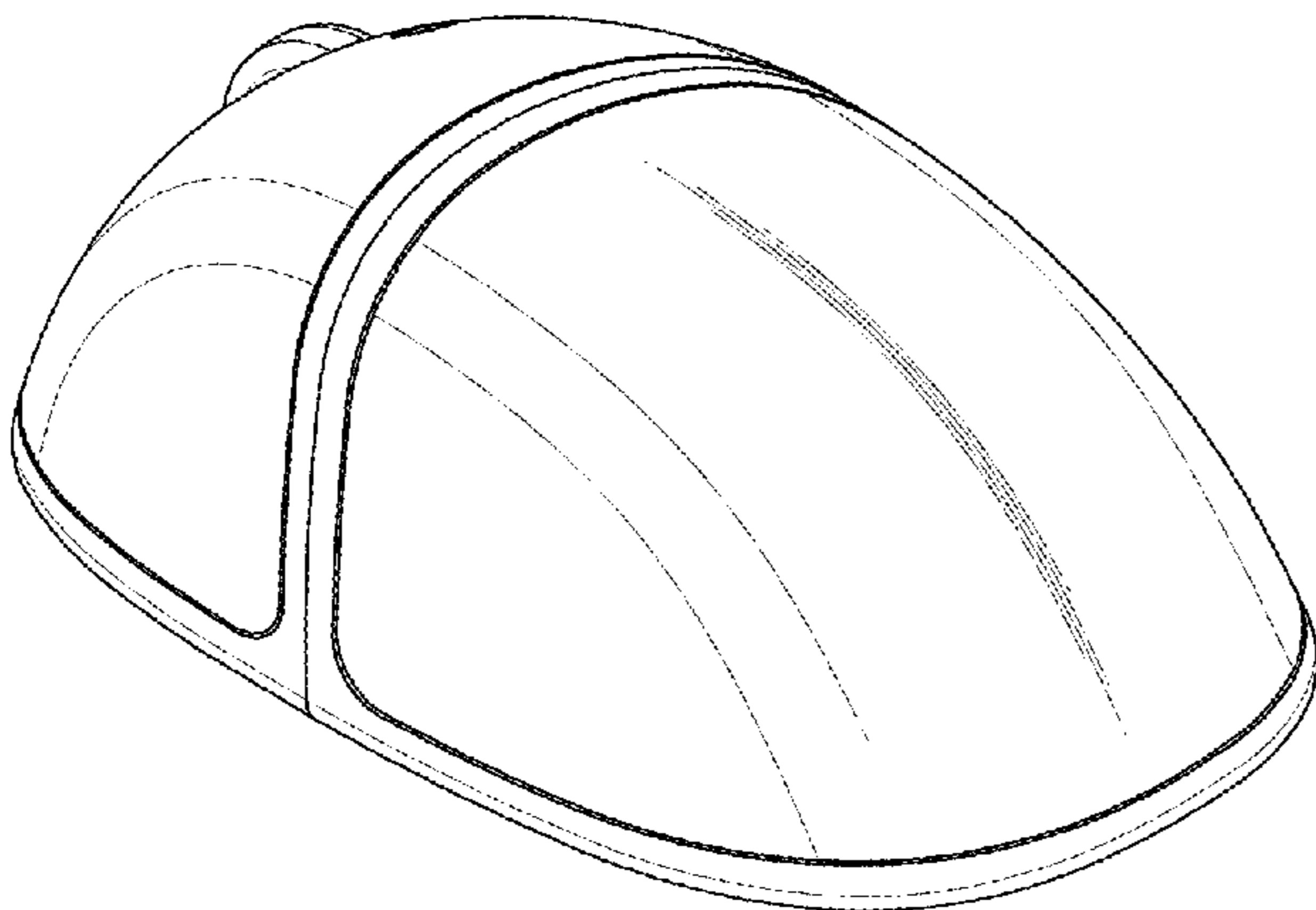
FIG. 18 is a right side elevational view of the computer mouse depicted in FIG. 15.

FIG. 19 is a left side elevational view of the computer mouse depicted in FIG. 15.

FIG. 20 is a front view of the computer mouse depicted in FIG. 15; and,

FIG. 21 is a back view of the computer mouse depicted in FIG. 15.

1 Claim, 12 Drawing Sheets



(58) **Field of Classification Search**

CPC G06F 3/03543; G06F 2203/0333; G06F
3/039; G06F 3/038; G06F 2203/0384

See application file for complete search history.

(56) **References Cited**

U.S. PATENT DOCUMENTS

D645,863	S	*	9/2011	Lacotta	D14/402
D656,498	S	*	3/2012	Kujawski	D14/402
D657,359	S	*	4/2012	Kujawski	D14/402
D658,650	S	*	5/2012	Kujawski	D14/402
D710,851	S	*	8/2014	Tsai	D14/402
D793,393	S	*	8/2017	Jeong	D14/402
D813,869	S	*	3/2018	Hu	D14/402
D827,647	S	*	9/2018	Chong	D14/402
D830,361	S	*	10/2018	Jin	D14/402

* cited by examiner

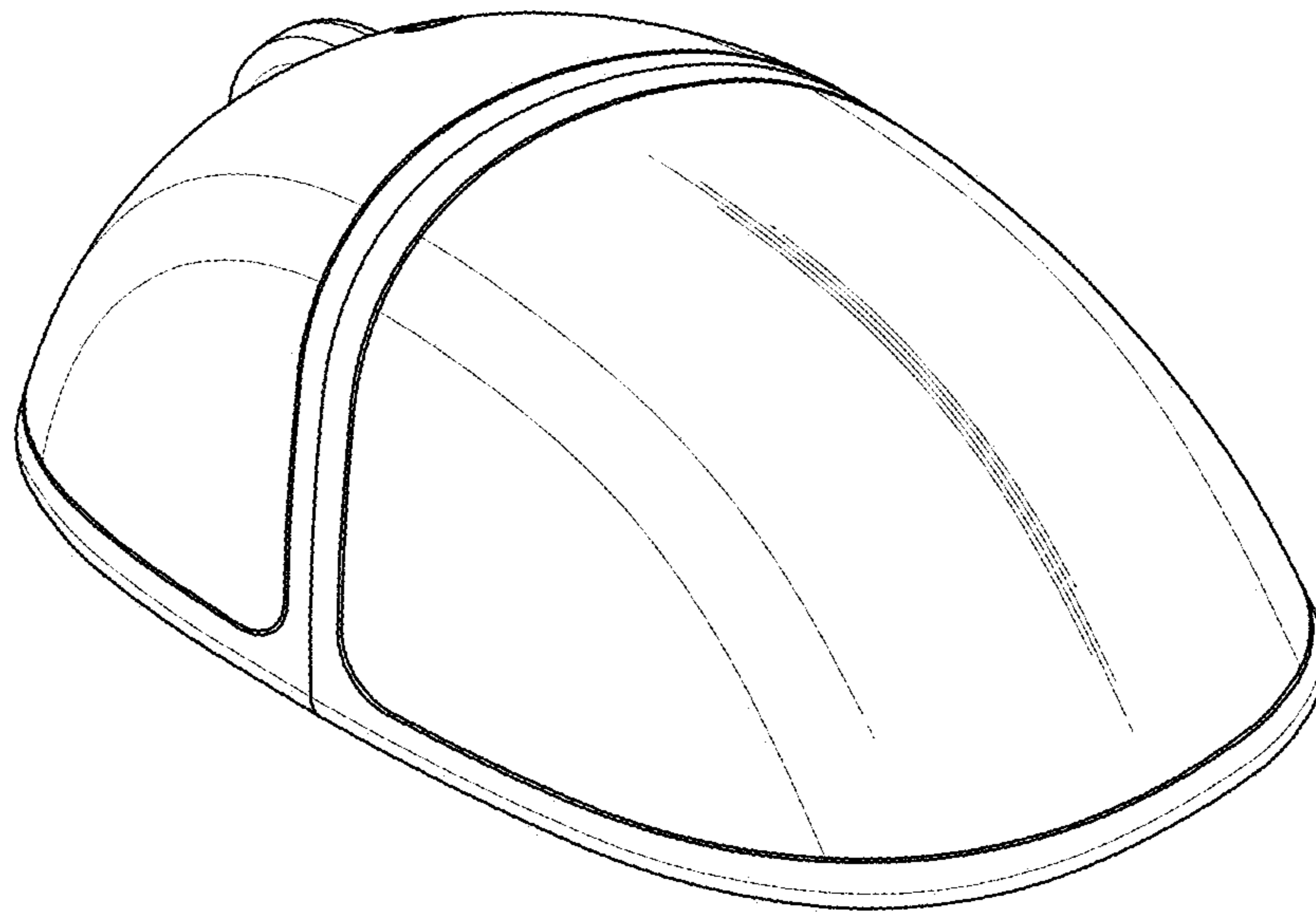


FIG. 1

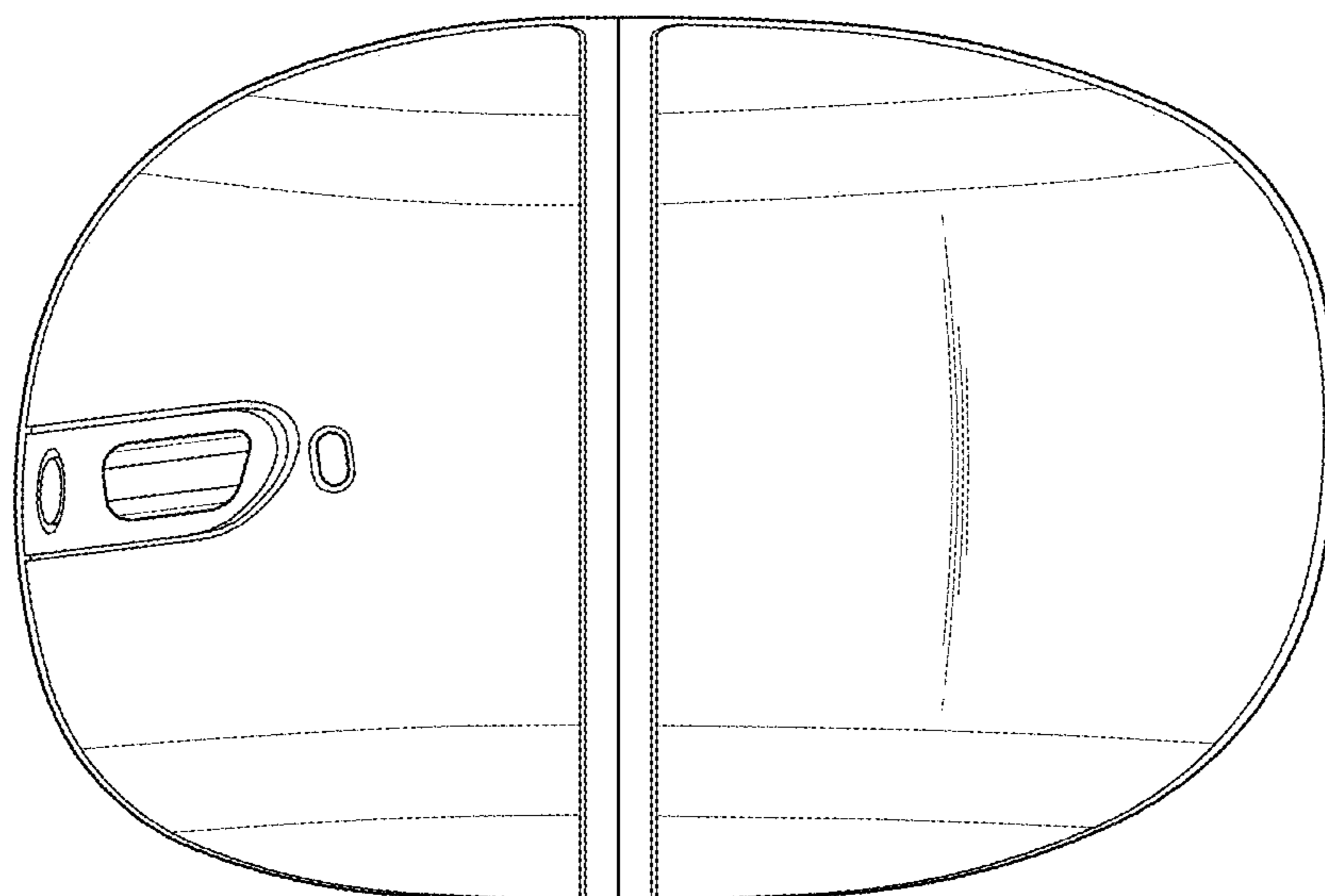


FIG. 2

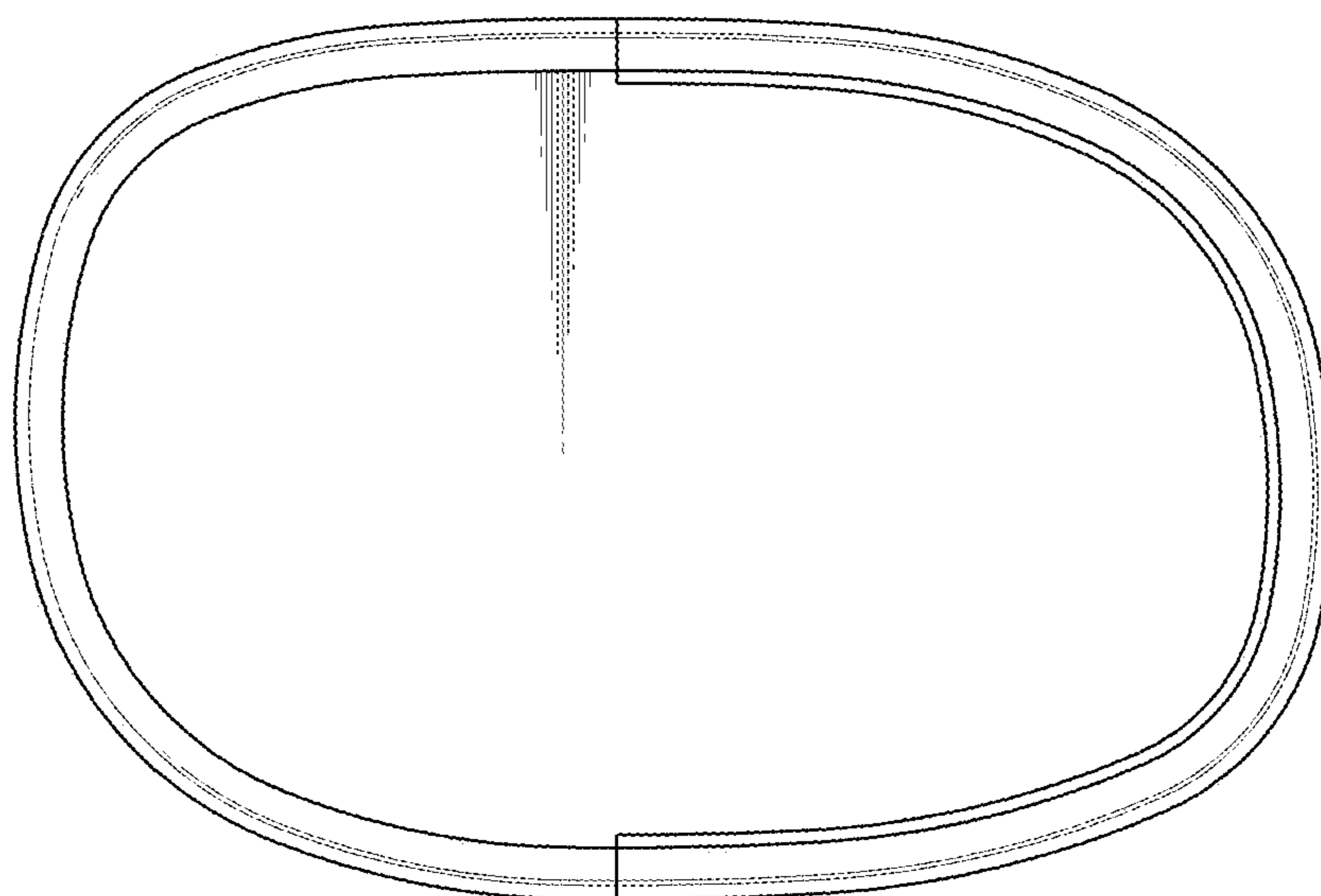


FIG. 3

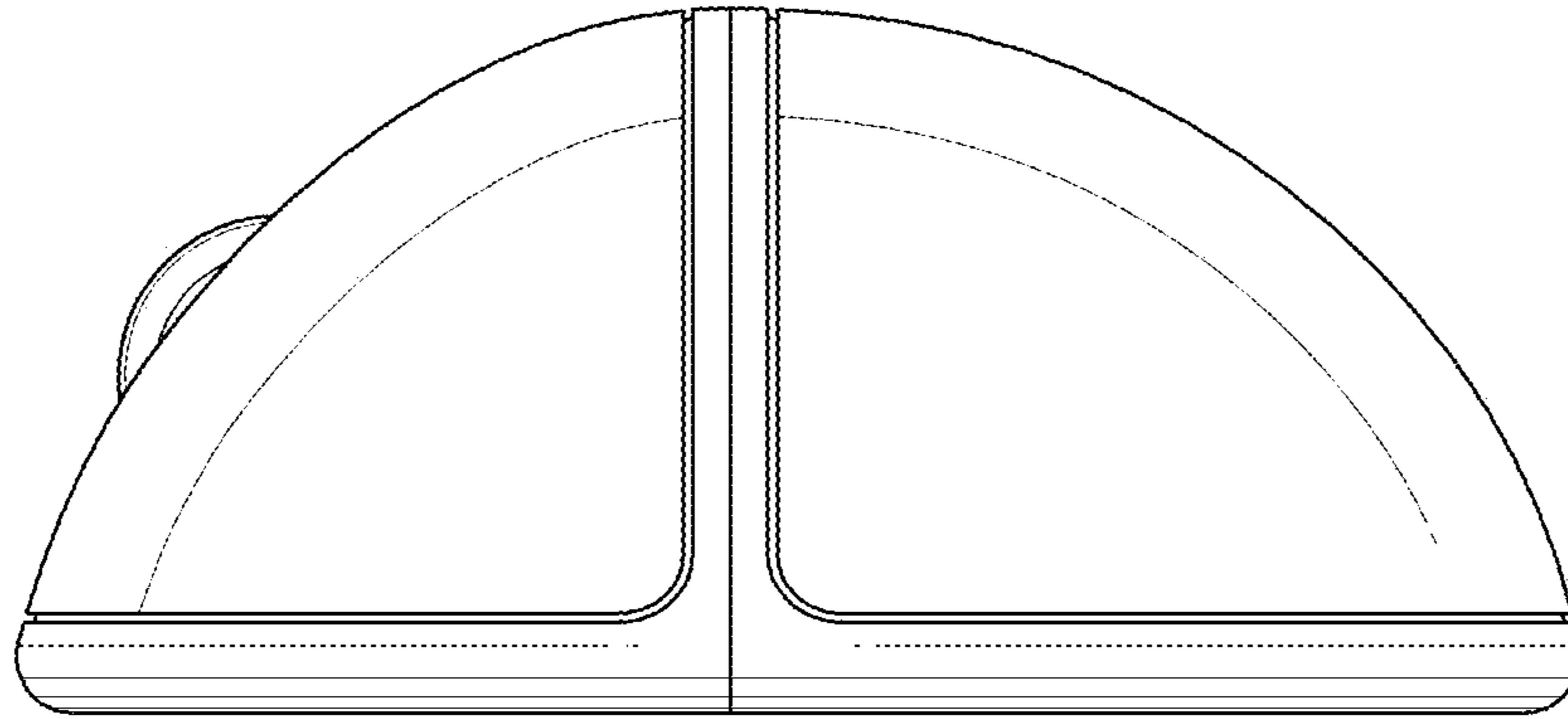


FIG. 4

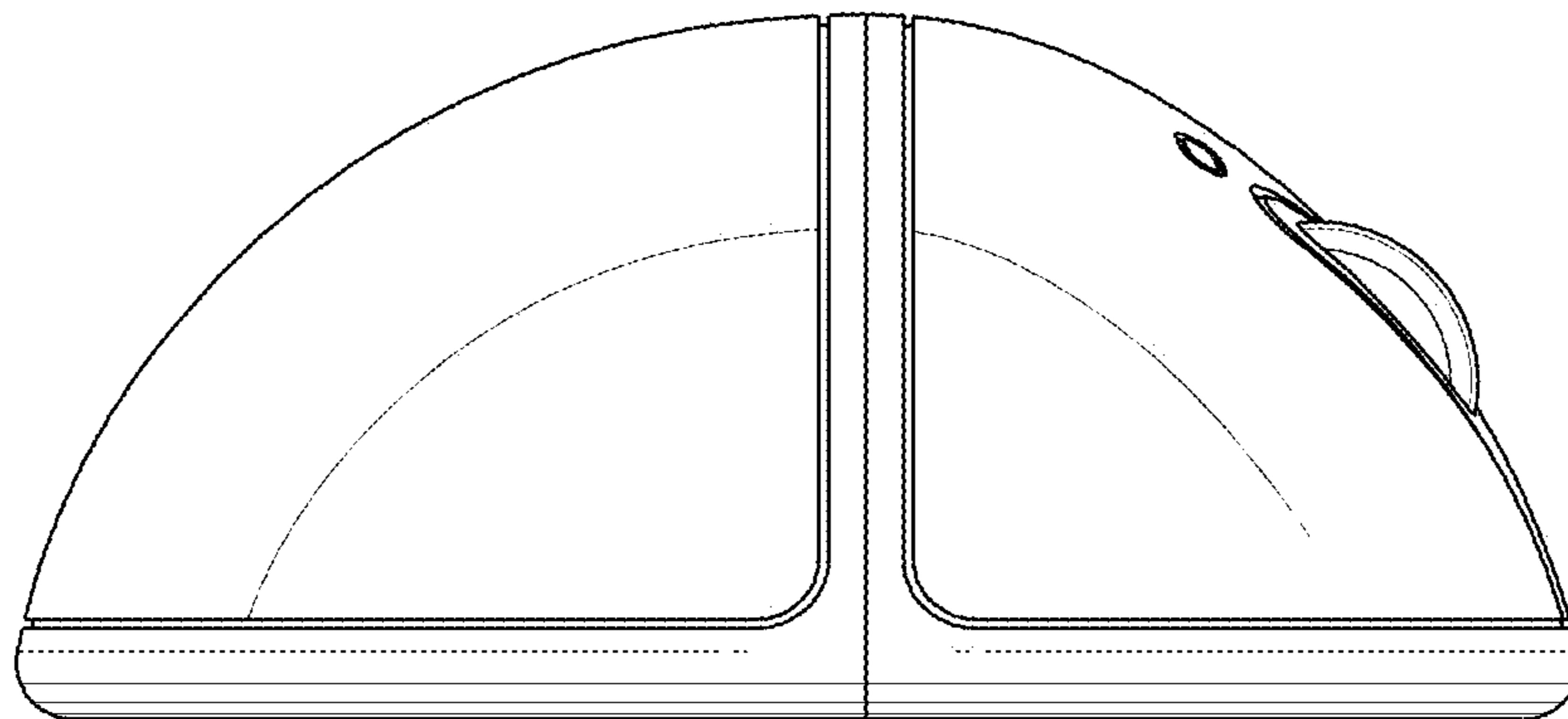


FIG. 5

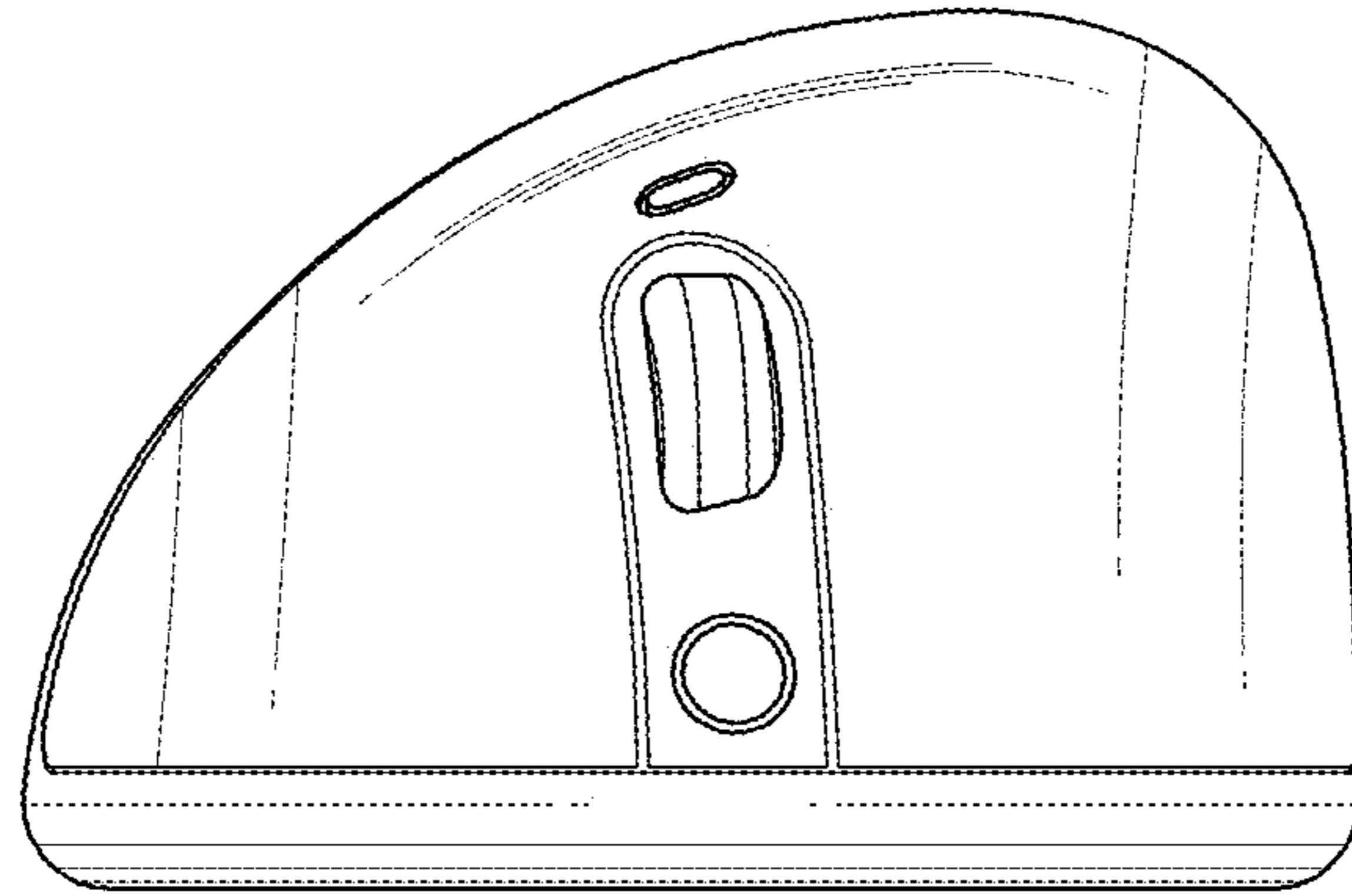


FIG. 6

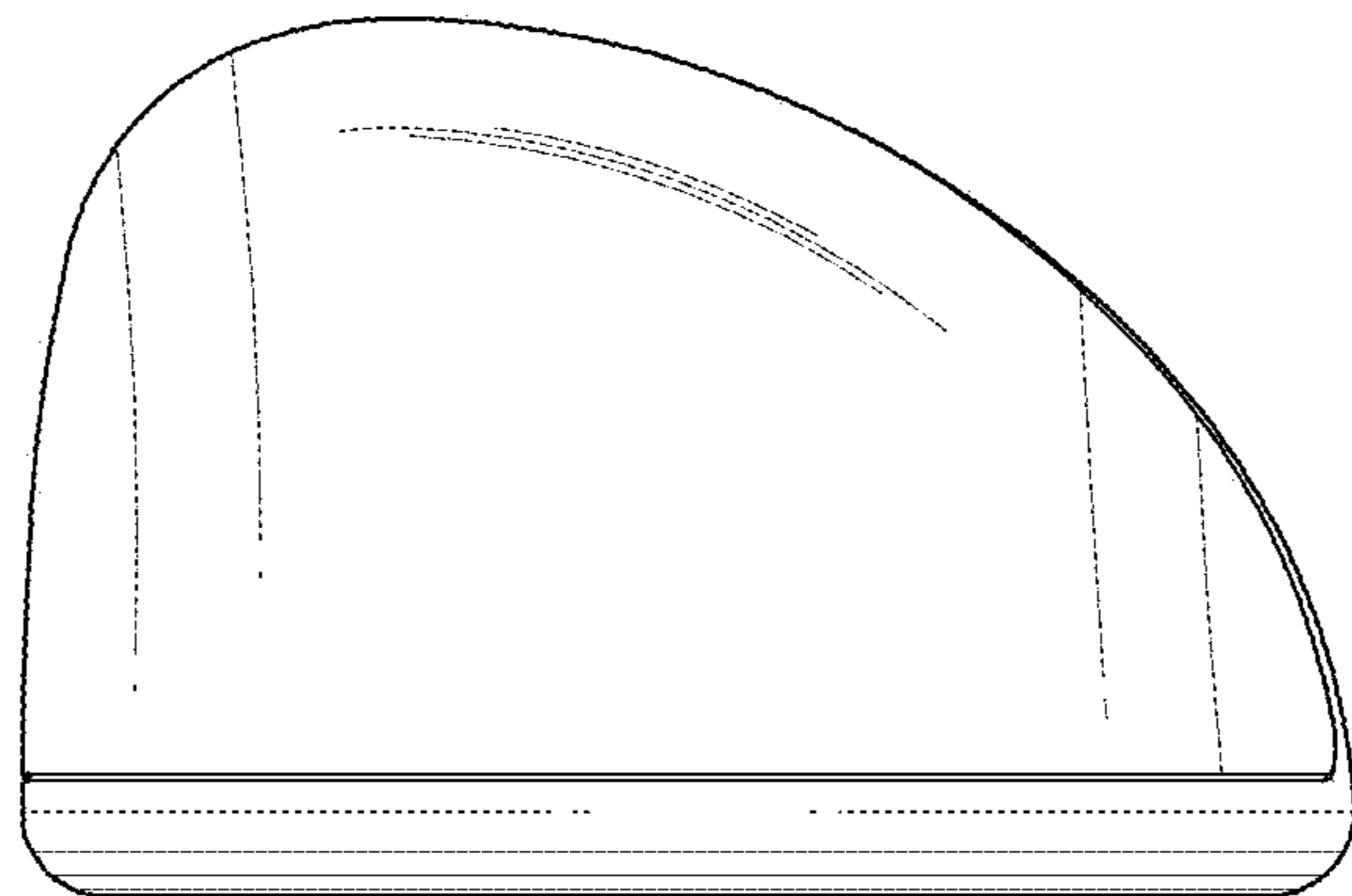


FIG. 7

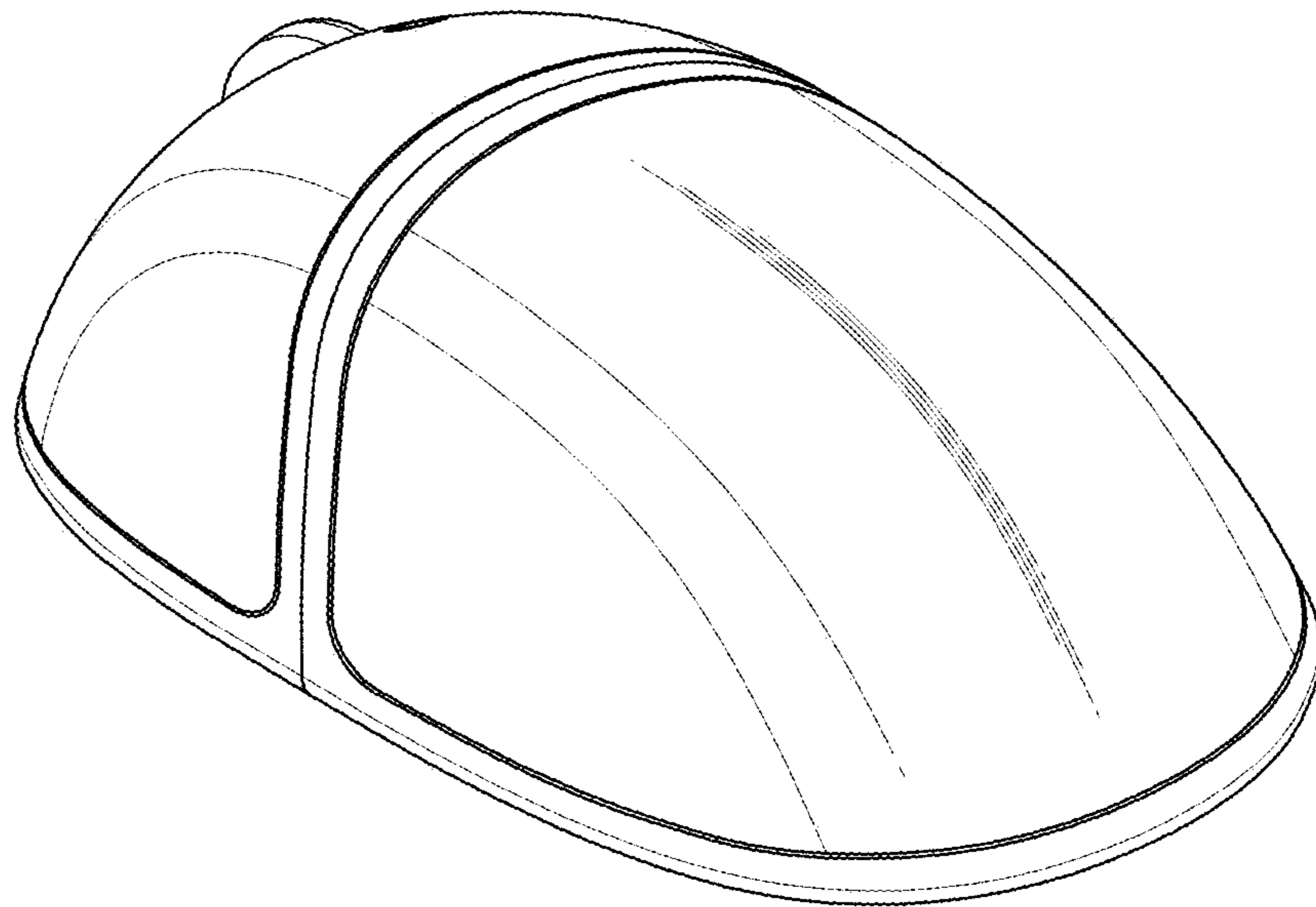


FIG. 8

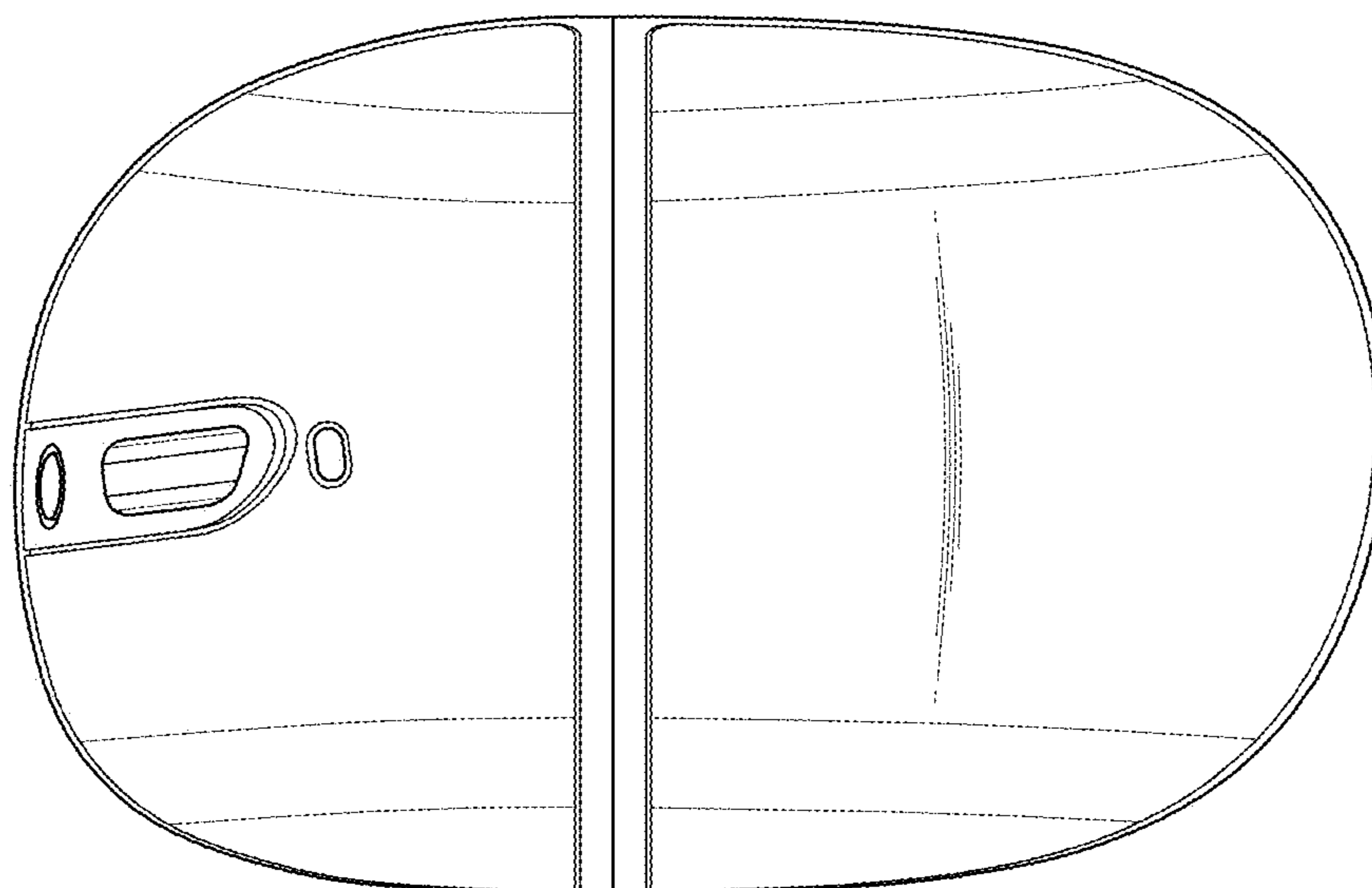


FIG. 9

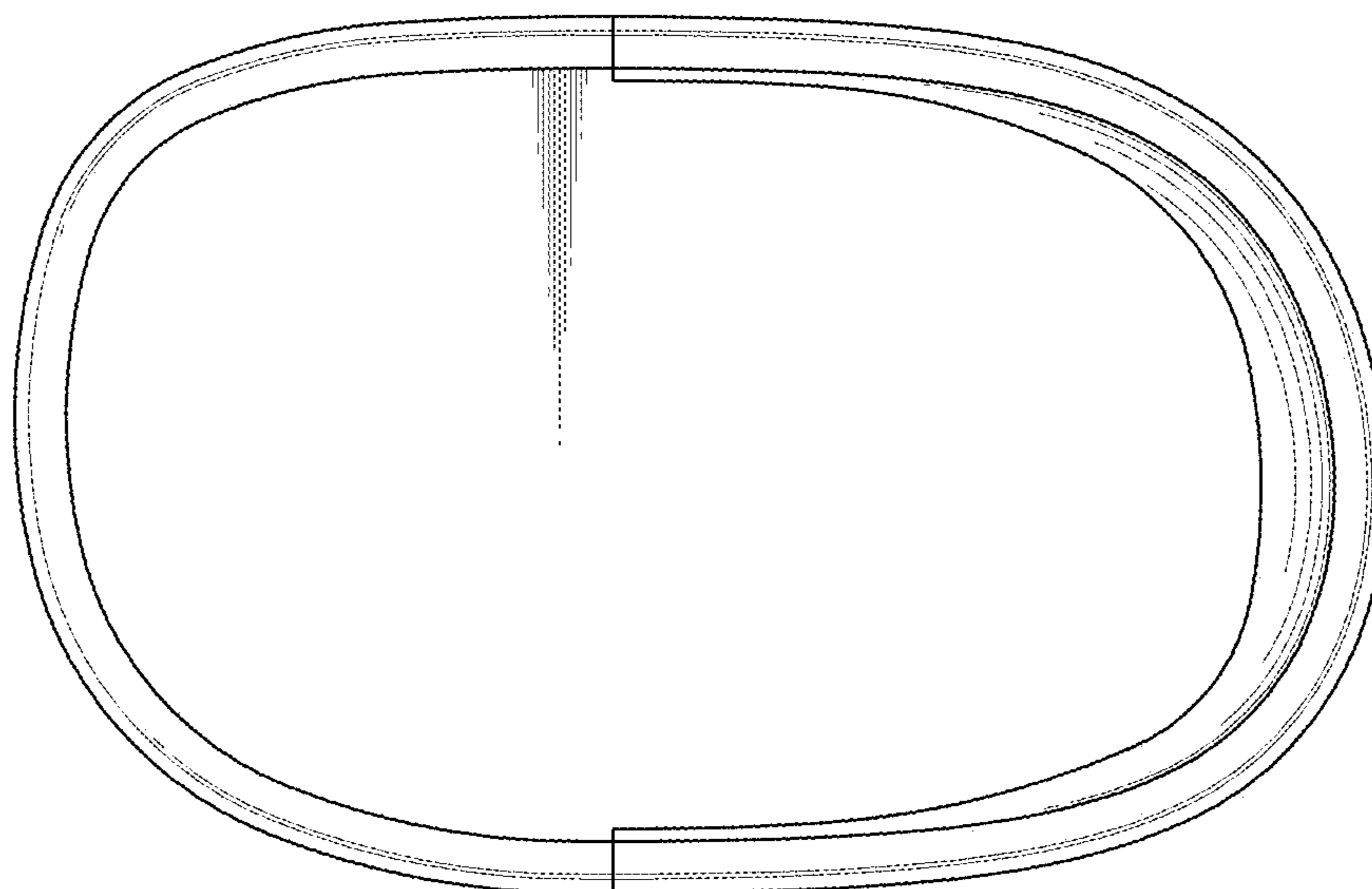


FIG. 10

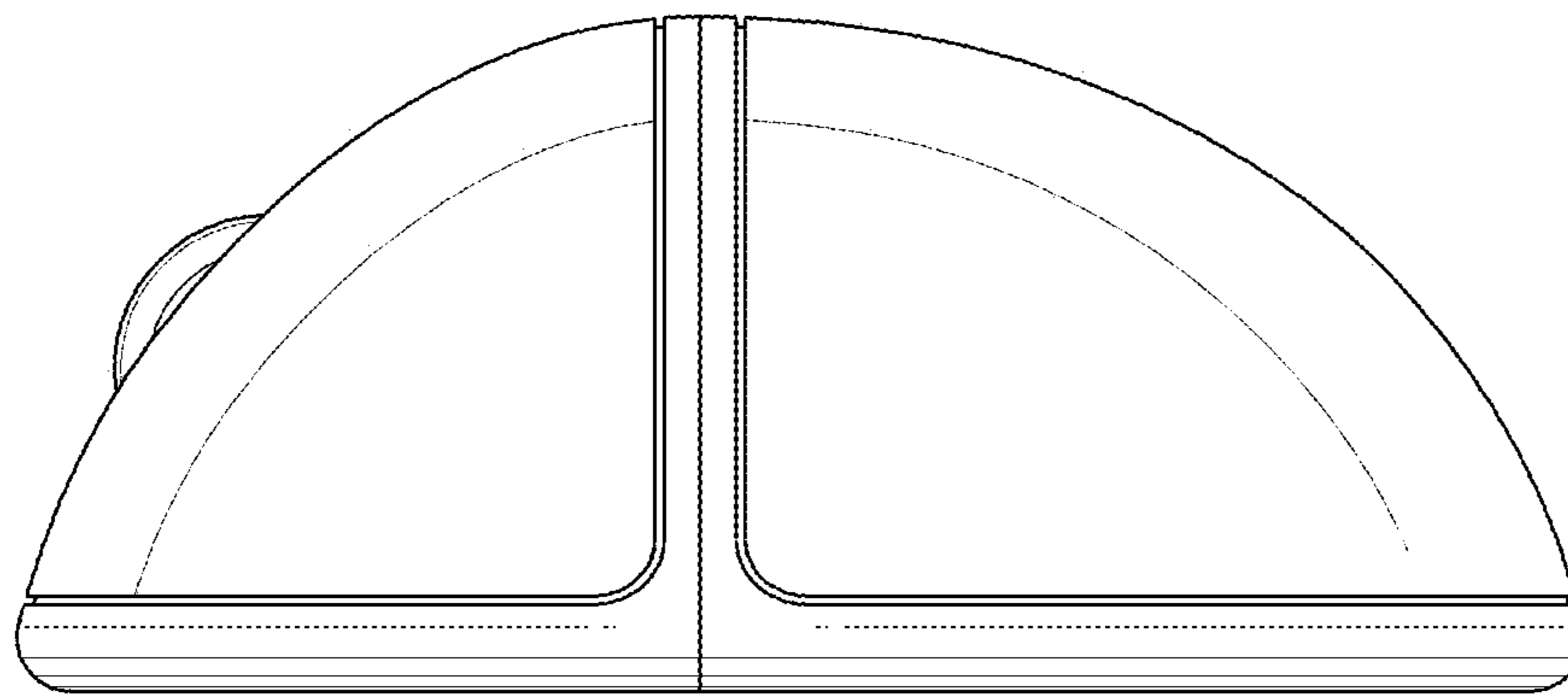


FIG. 11

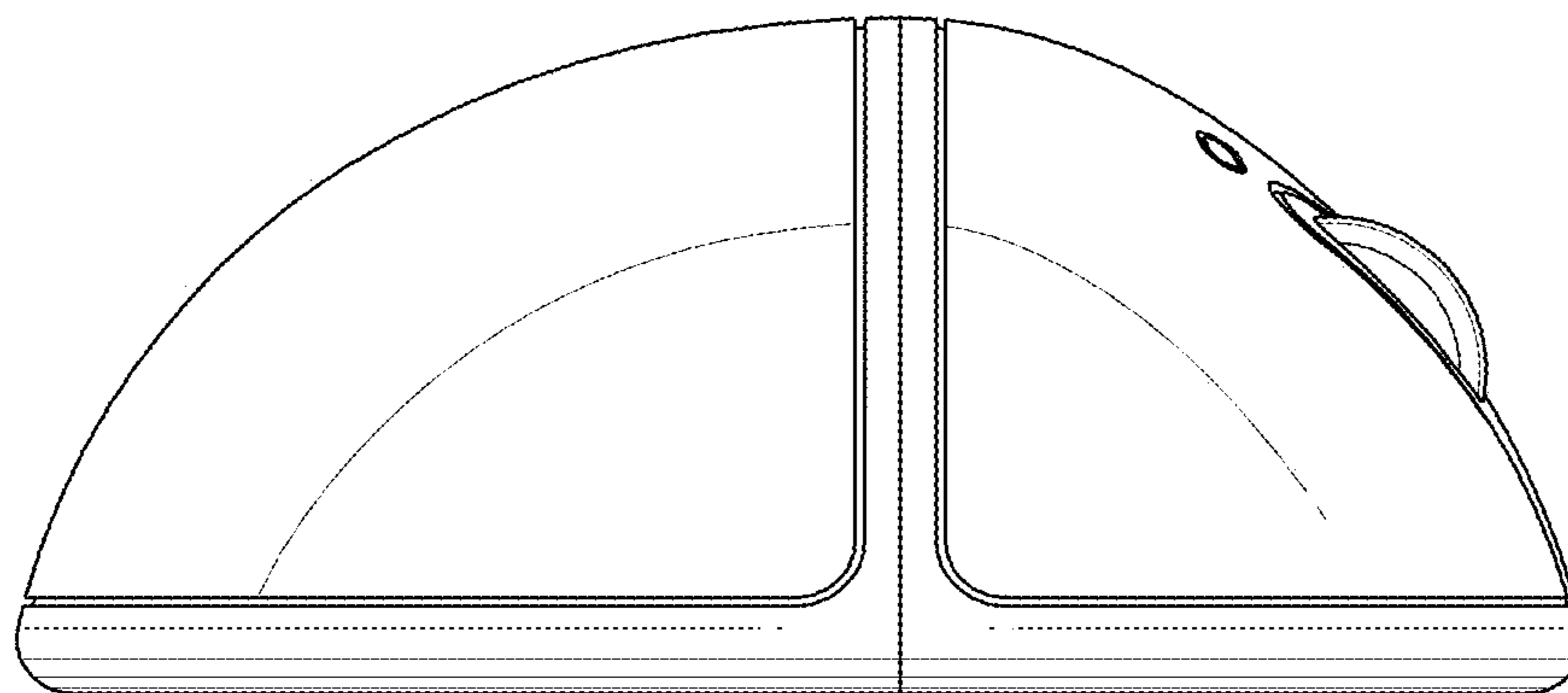


FIG. 12

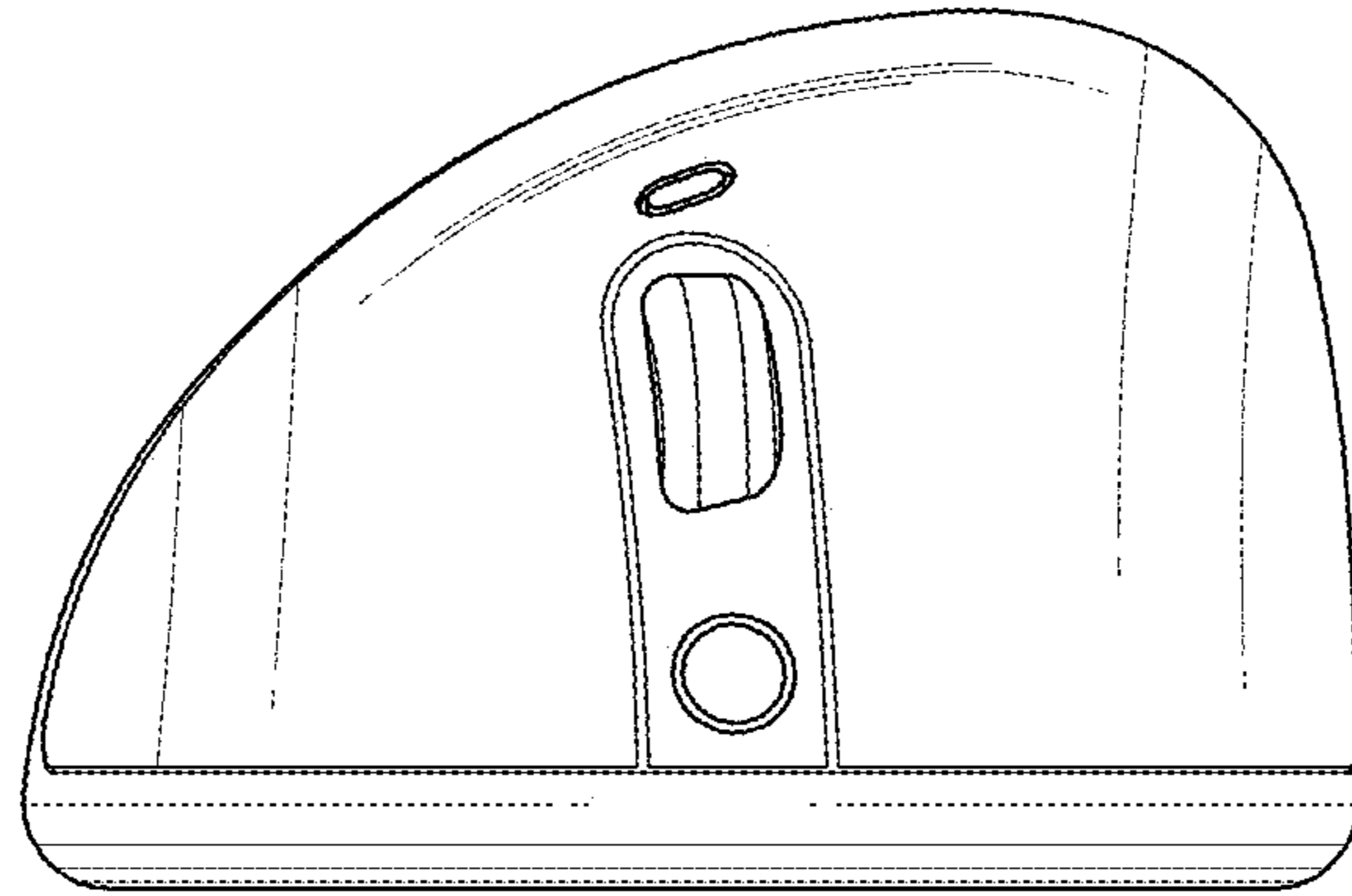


FIG. 13

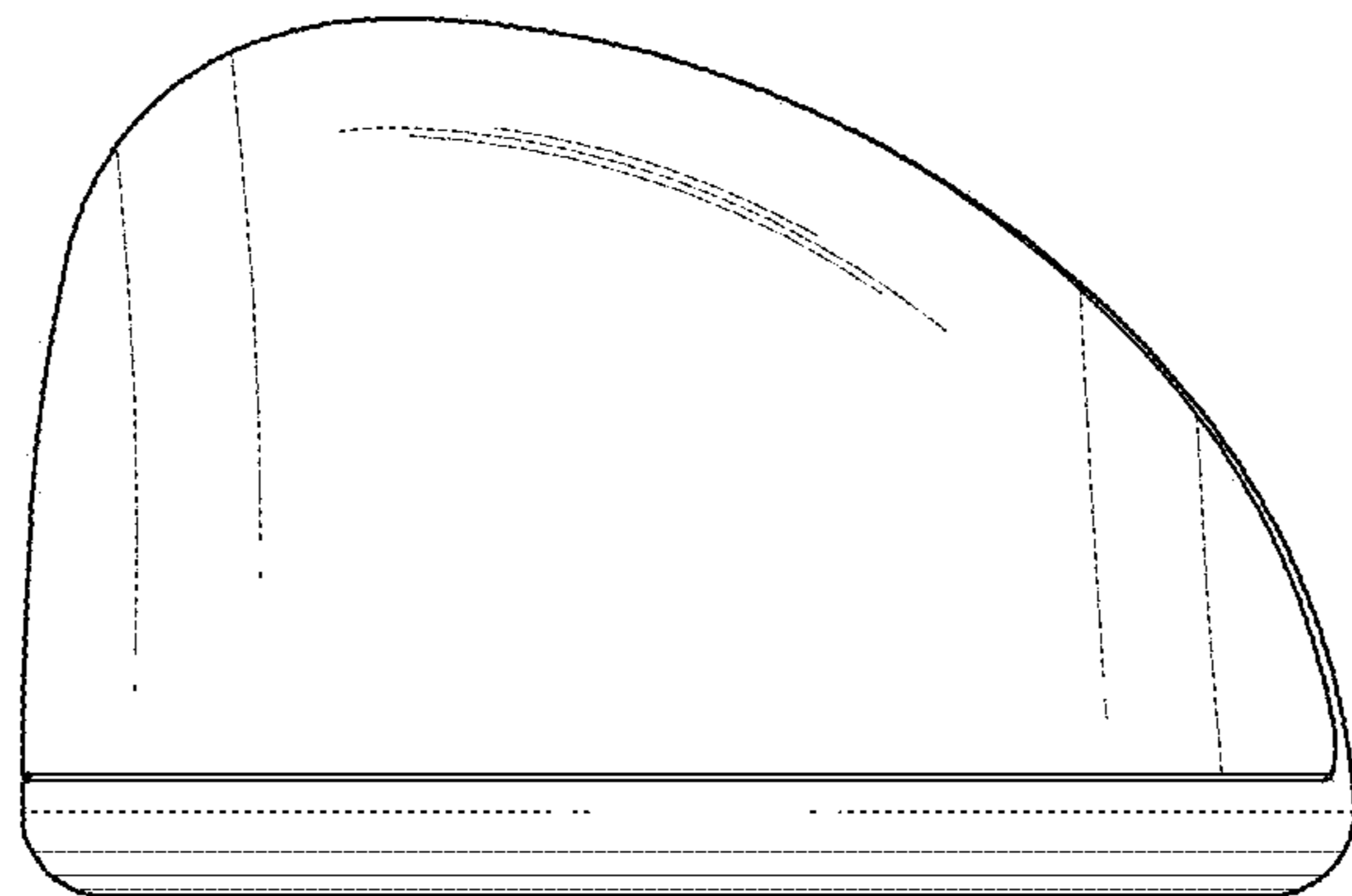


FIG. 14

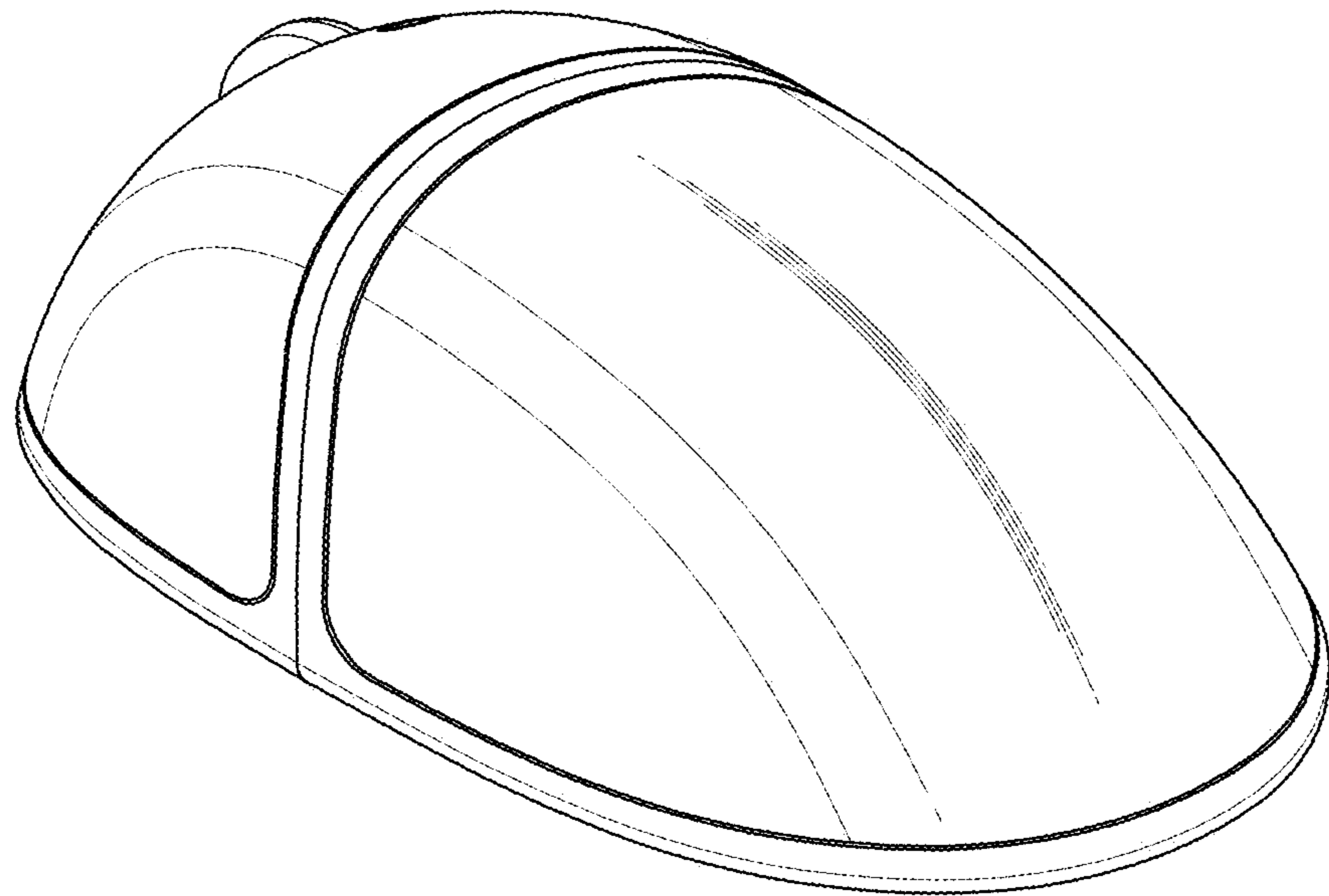


FIG. 15

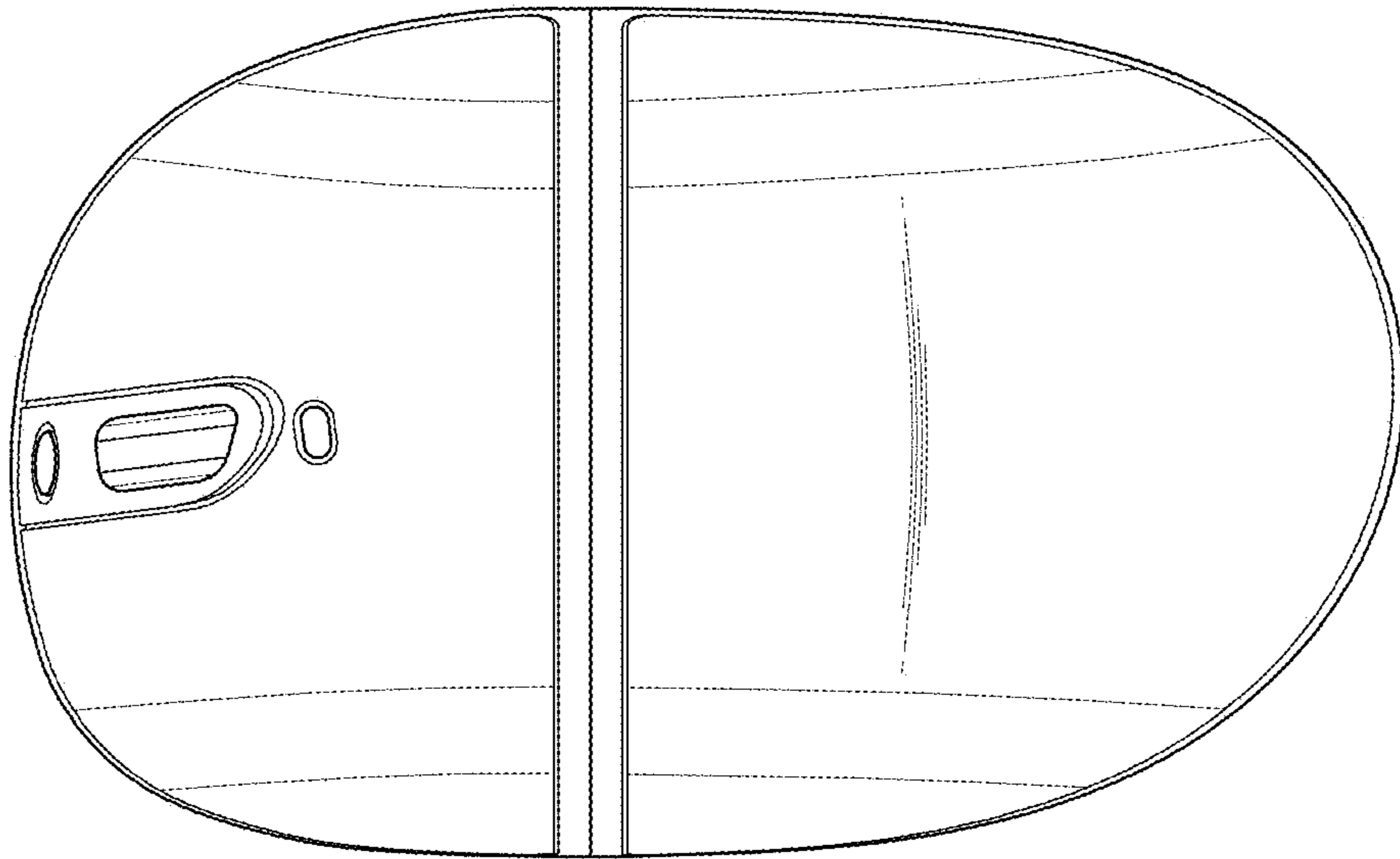


FIG. 16

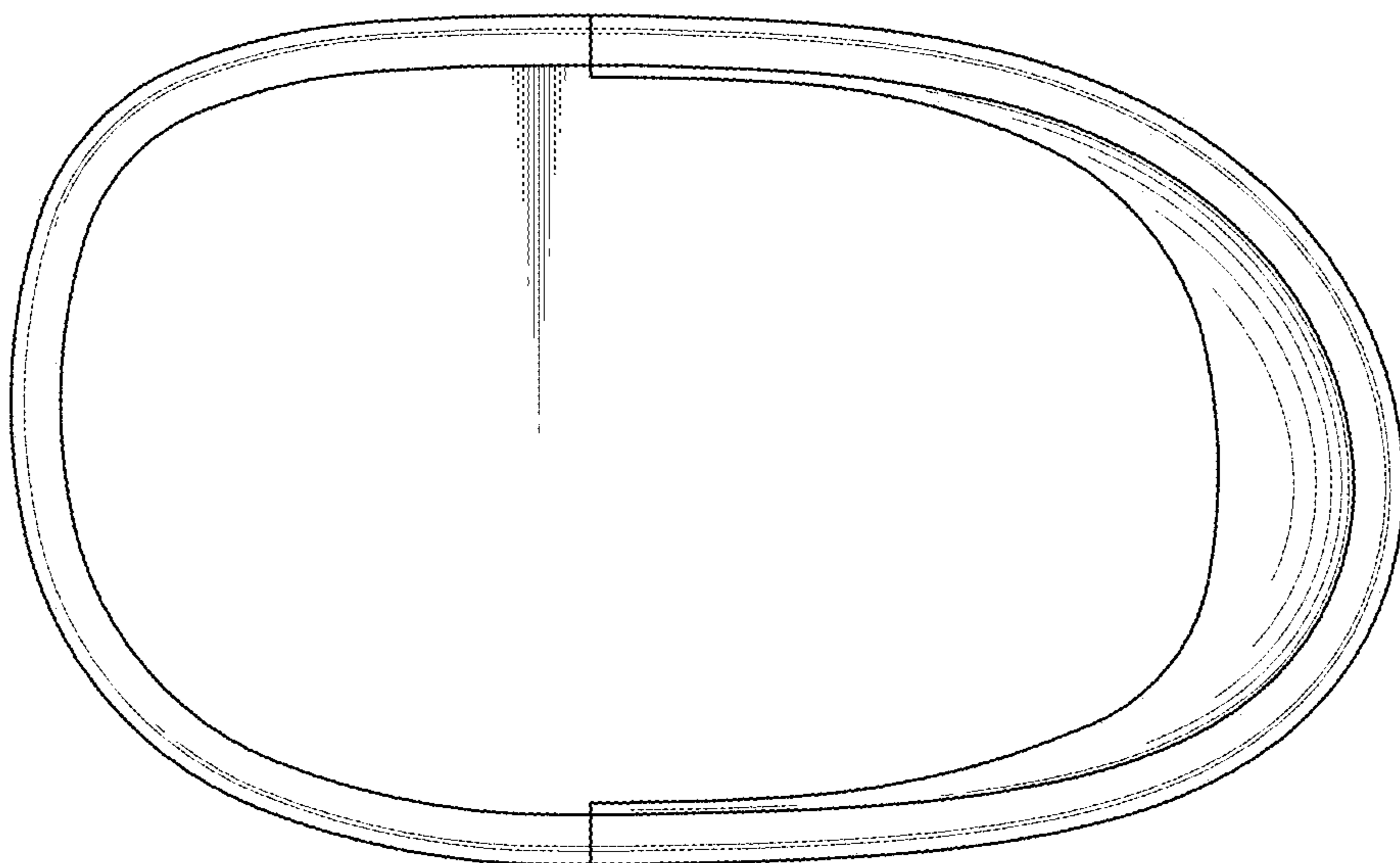


FIG. 17

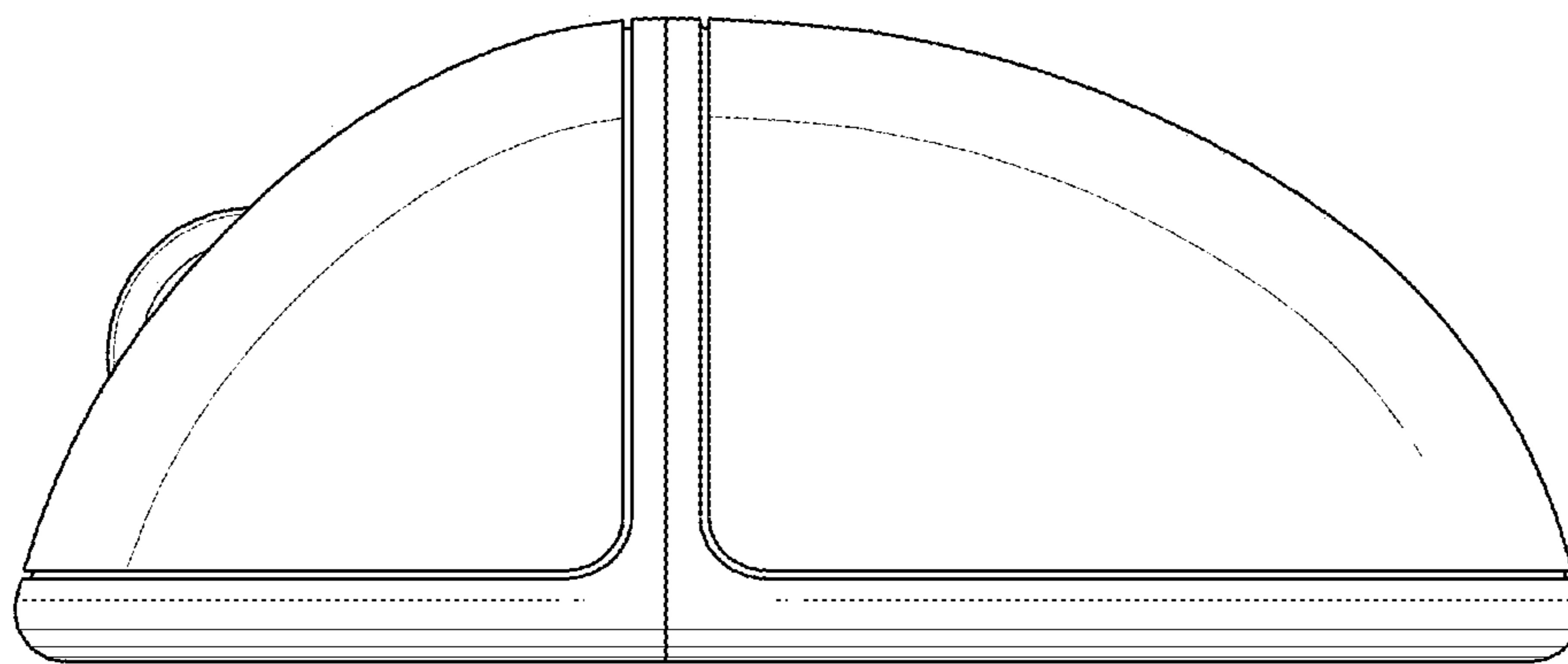


FIG. 18

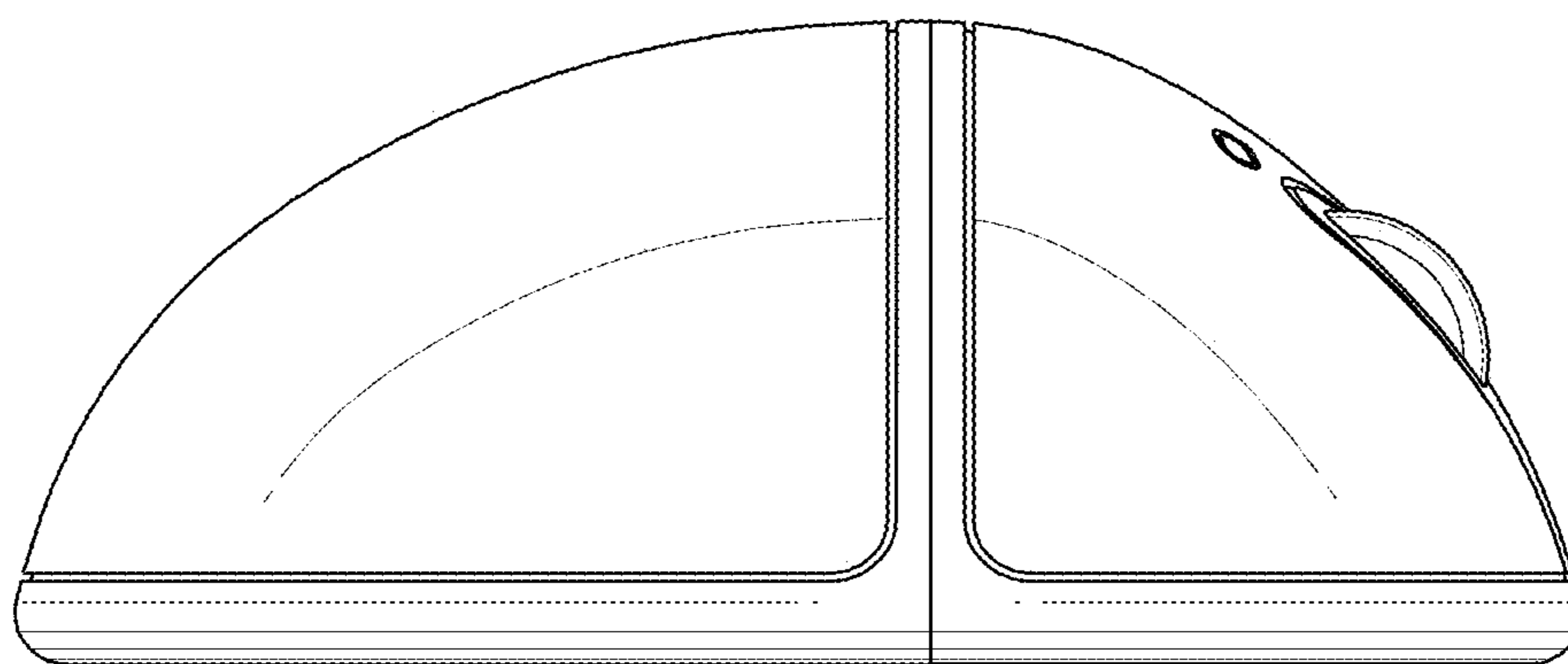


FIG. 19

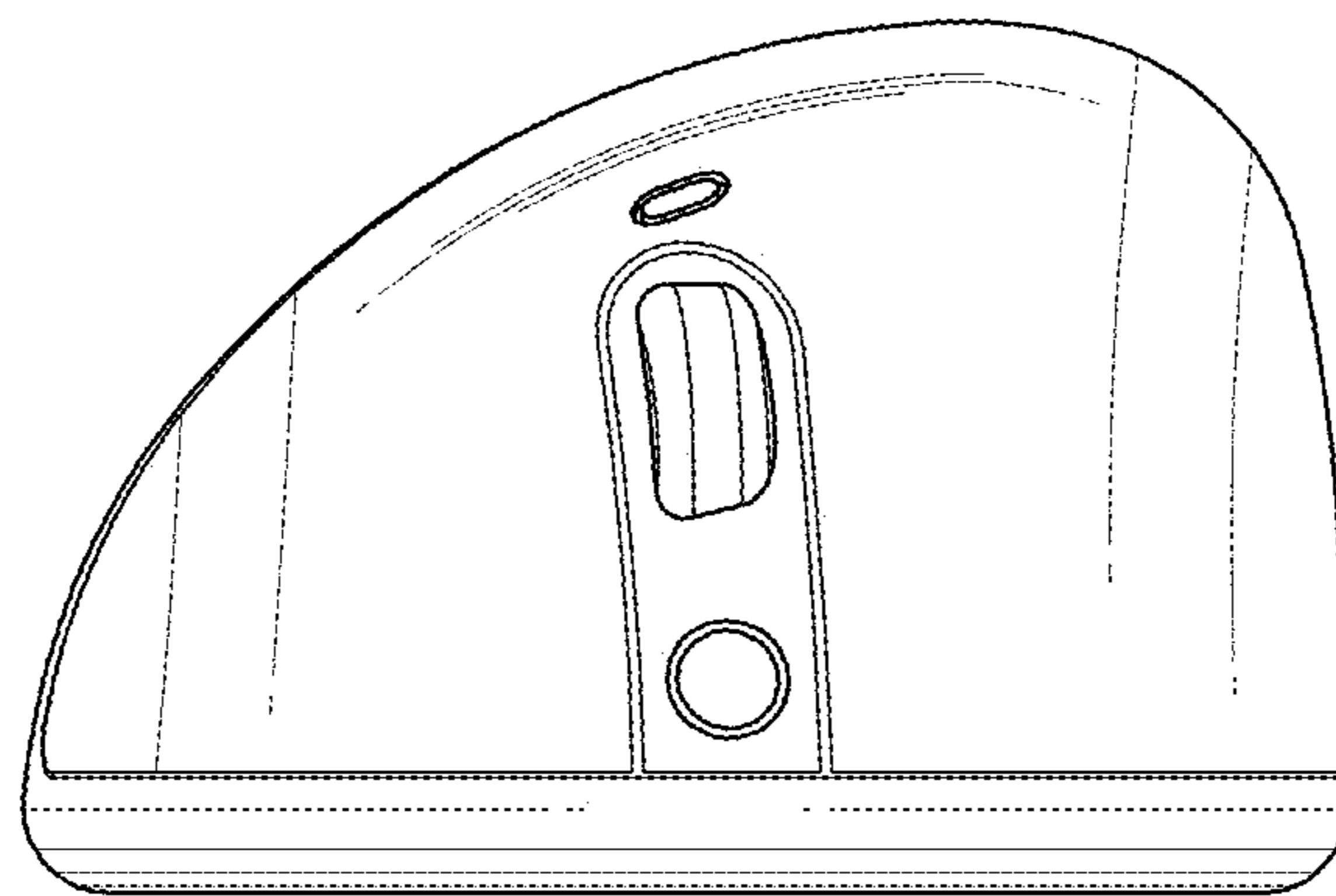


FIG. 20

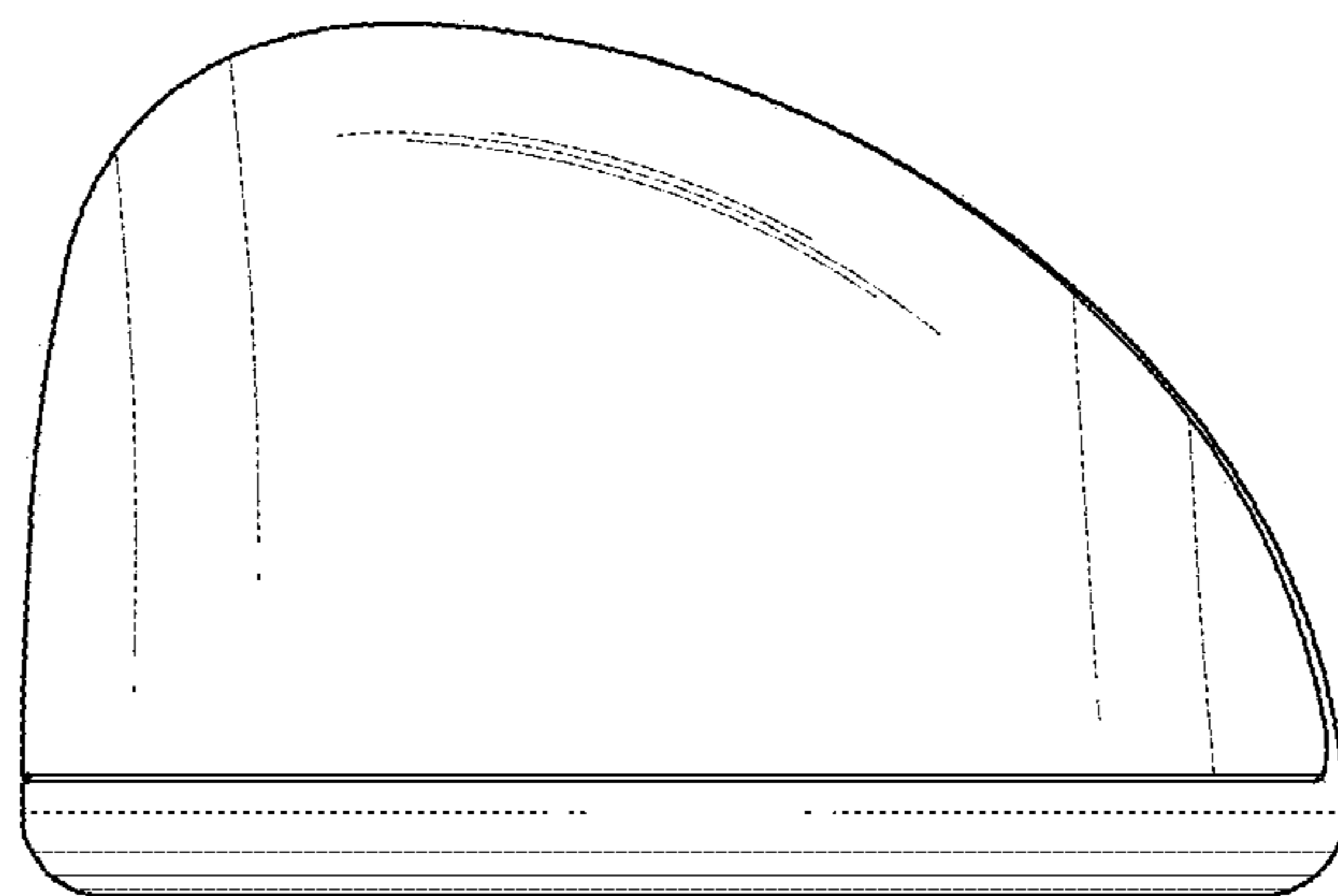


FIG. 21