



US00D871406S

(12) **United States Design Patent** (10) **Patent No.:** **US D871,406 S**
Kim et al. (45) **Date of Patent:** **** *Dec. 31, 2019**

(54) **DATA PROCESSING MONITOR**

(71) Applicant: **LG ELECTRONICS INC.**, Seoul (KR)

(72) Inventors: **Hyeongyeol Kim**, Seoul (KR); **Gangho Woo**, Seoul (KR)

(73) Assignee: **LG Electronics Inc.**, Seoul (KR)

(*) Notice: This patent is subject to a terminal disclaimer.

(**) Term: **15 Years**

(21) Appl. No.: **35/505,066**

(22) Filed: **Dec. 6, 2017**

(80) **Hague Agreement Data**

Int. Filing Date: **Dec. 6, 2017**

Int. Reg. No.: **DM/099209**

Int. Reg. Date: **Dec. 6, 2017**

Int. Reg. Pub. Date: **Jun. 8, 2018**

(30) **Foreign Application Priority Data**

Jun. 7, 2017 (KR) 30-2017-0025603

(51) **LOC (12) Cl.** **14-02**

(52) **U.S. Cl.**
USPC **D14/374**

(58) **Field of Classification Search**
USPC D14/126, 239, 335, 336, 340, 371, 374,
D14/375; D21/515

CPC G06F 1/1626; H04N 5/64; H04N 5/645;
H05K 5/00; H05K 5/0204

See application file for complete search history.

(56) **References Cited**

U.S. PATENT DOCUMENTS

D774,482 S * 12/2016 Hong D14/126
D828,837 S * 9/2018 Kim D14/374
D835,593 S * 12/2018 Shin D14/126
D836,584 S * 12/2018 Kim D14/126

OTHER PUBLICATIONS

Insight.com: Screenshot taken Apr. 18, 2019 (undated site) from https://www.insight.com/en_US/buy/product/32MA68HY-P/LG%20ELECTRONICS/32MA68HY-P/LG-32MA68HYP--LED-monitor--Full-HD-1080p--32%22/# (Year: 2019).*

Amazon.com: LG Electronics 34WK650-W 34" Ultra Wide IPS Monitor. Earliest date Mar. 31, 2018; 9 pages. Found online Apr. 18, 2019 at https://www.amazon.com/LG-34WK650-W-34-UltraWide-21/dp/B078GSH1LV/ref=sr_1_1?crd=HY977ACUD9W6&keywords=lg+34wk650-w&qid=1555596872&s=gateway&sprefix=34WK650-W%2Cap (Year: 2018).*

Amazon.com: LG 32UL750-W 32 Inch 4K UHD LED Monitor with Vesa Display HDR 600 (2019). Earliest date Dec. 19, 2018; 10 pages. Found online Apr. 18, 2019 at https://www.amazon.com/LG-32UL750-W-Inch-Monitor-Display/dp/B07NS7JKJH/ref=sr_1_1?keywords=LG+32UL750-W&qid=1555595825&s=gateway&sr=8-1 (Year: 2018).*

(Continued)

Primary Examiner — Robert M. Spear

(74) *Attorney, Agent, or Firm* — Birch, Stewart, Kolasch & Birch, LLP

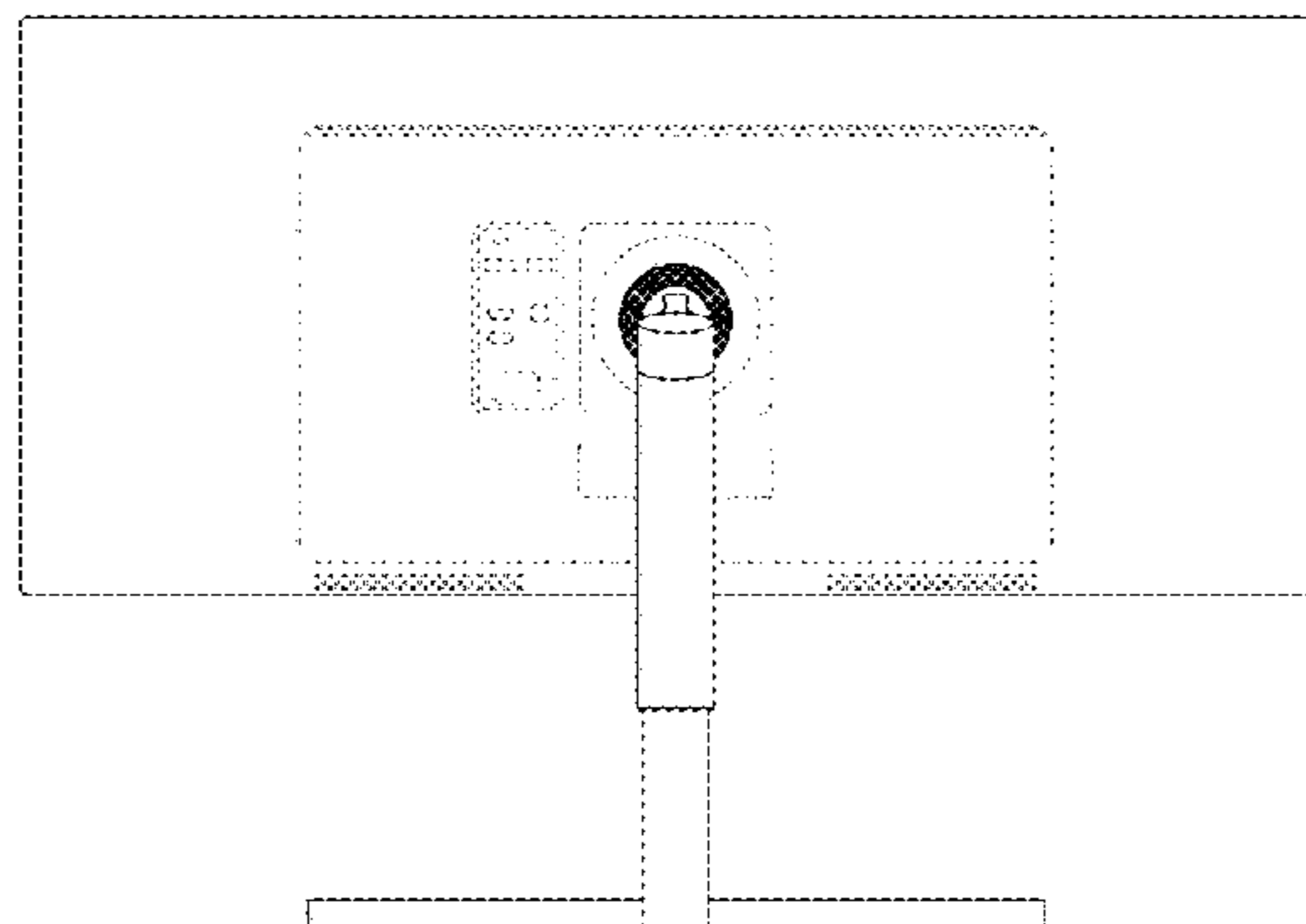
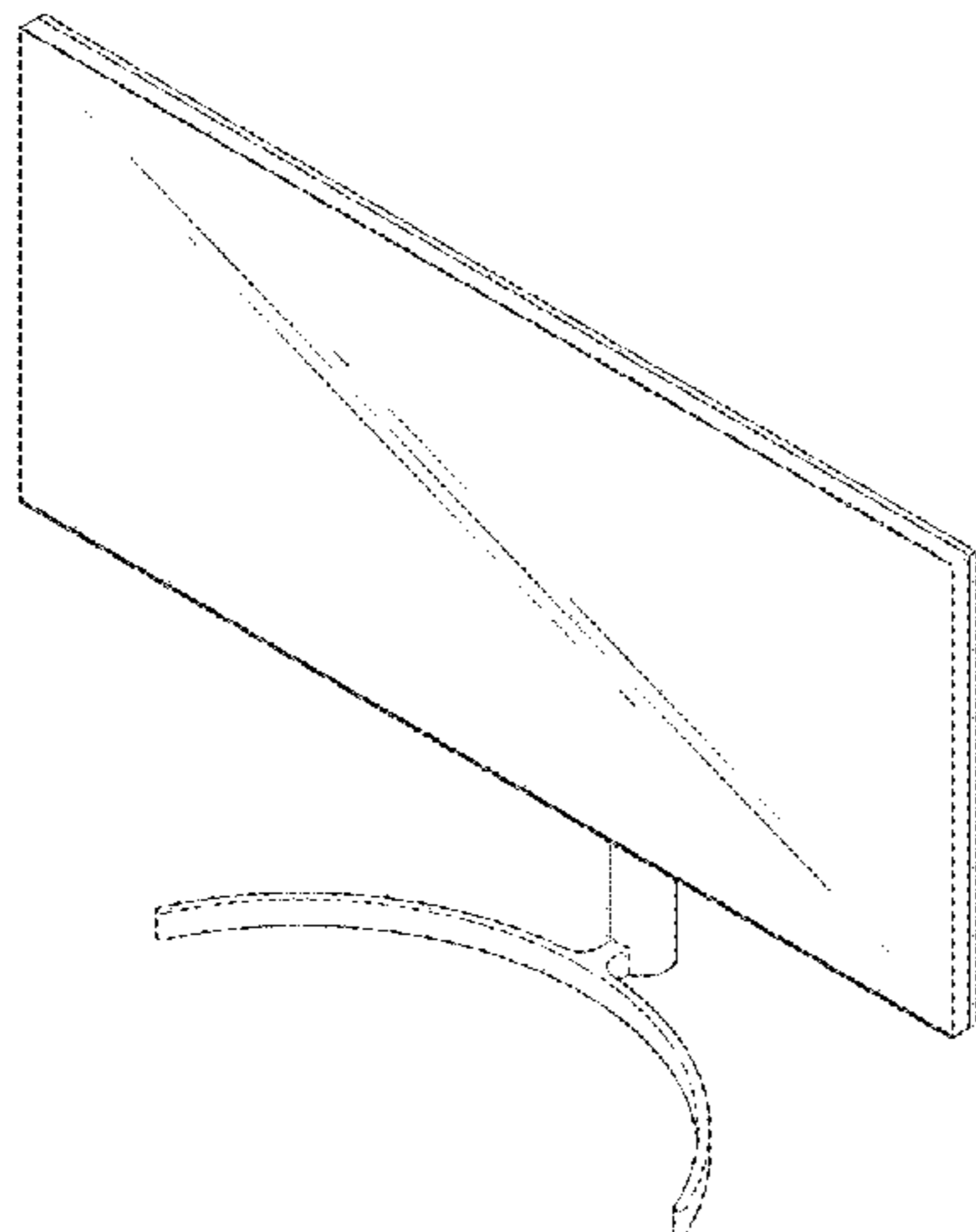
(57) **CLAIM**

The ornamental design for a data processing monitor, as shown and described.

DESCRIPTION

1. Data Processing Monitor
1.1 : Perspective
1.2 : Front

(Continued)



- 1.3 : Back
- 1.4 : Left
- 1.5 : Right
- 1.6 : Top
- 1.7 : Bottom

The parallel fine lines and curves shown in all the drawings indicate the relief of surface of the product; the broken lines indicate unclaimed portion of the article that form no part of the claimed design.

1 Claim, 6 Drawing Sheets

(56)

References Cited

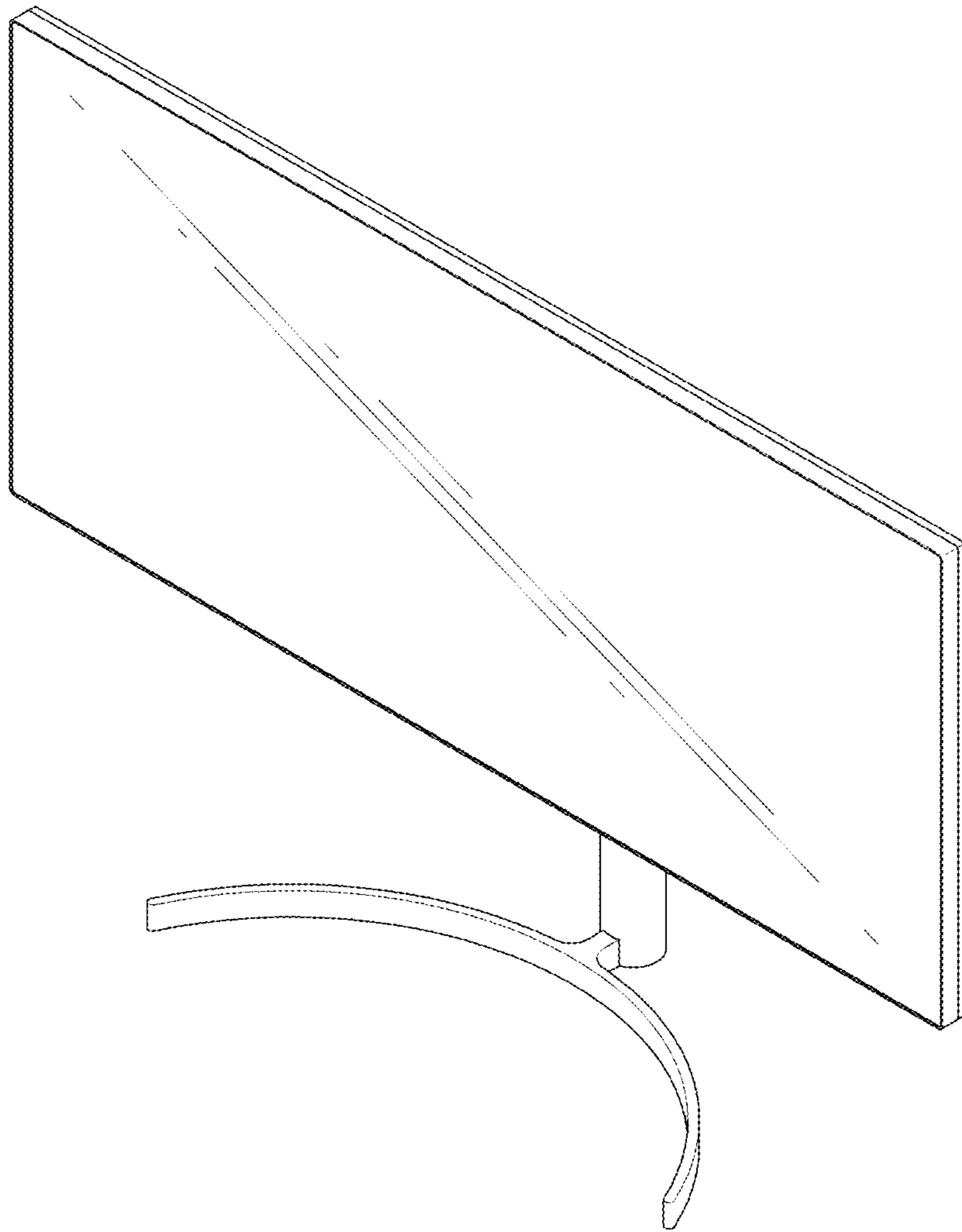
OTHER PUBLICATIONS

Amazon.com: LG 32UL950-W 32" Class UltraFine™ 4K UHD LED Monitor (31.5" Diagonal). Earliest date Dec. 19, 2018; 10 pages. Found online Apr. 18, 2019 at https://www.amazon.com/LG-32UL950-W-Ultrafine-Thunderbolt-Connectivity/dp/B07K8877Y5/ref=sr_1_1?keywords=32UL950-W&qid=1555596330&s=gateway&sr=8-1 (Year: 2018).*

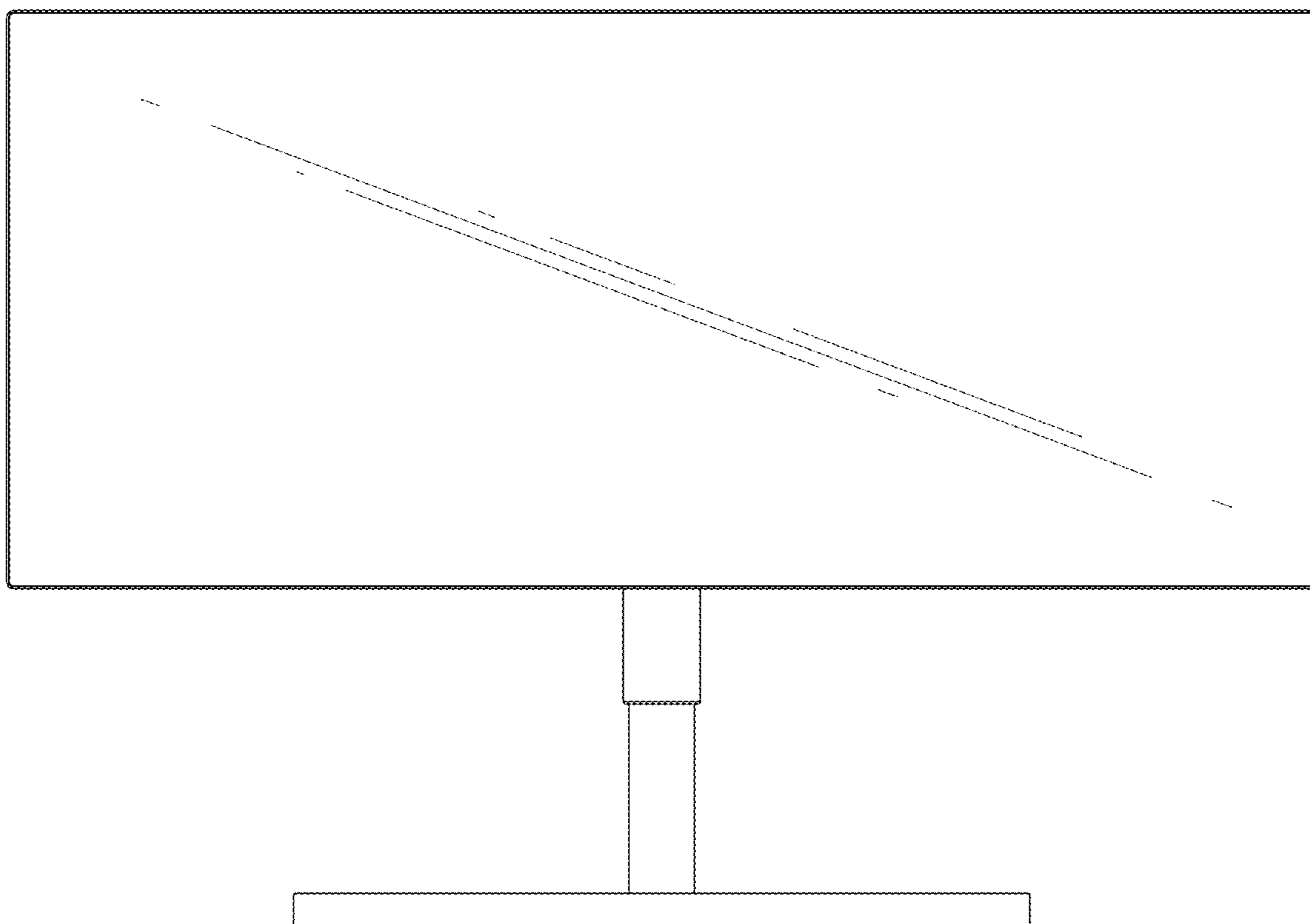
Amazon.com: LG 38WK95C-W 38-Inch Class 21:9 Curved UltraWide WQHD+ Monitor with HDR 10 (2018). Earliest date May 27, 2018; 9 pages. Found online Apr. 18, 2019 at https://www.amazon.com/LG-38WK95C-W-38-Inch-Class-UltraWide/dp/B079L4WR4T/ref=sr_1_1?keywords=lg+38WK95C-W&qid=1555597484&s=gateway&sr=8-1 (Year: 2018).*

* cited by examiner

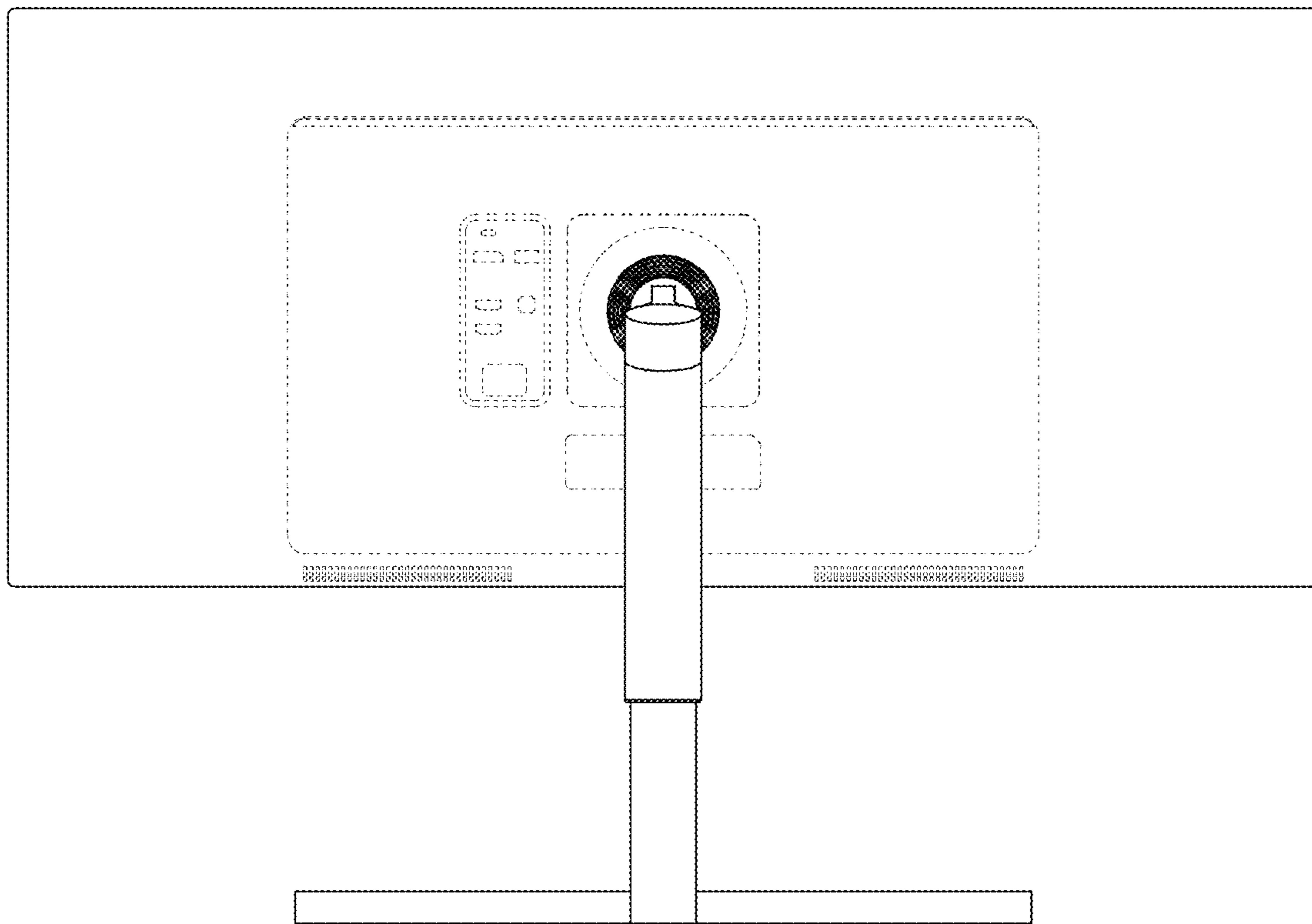
1.1

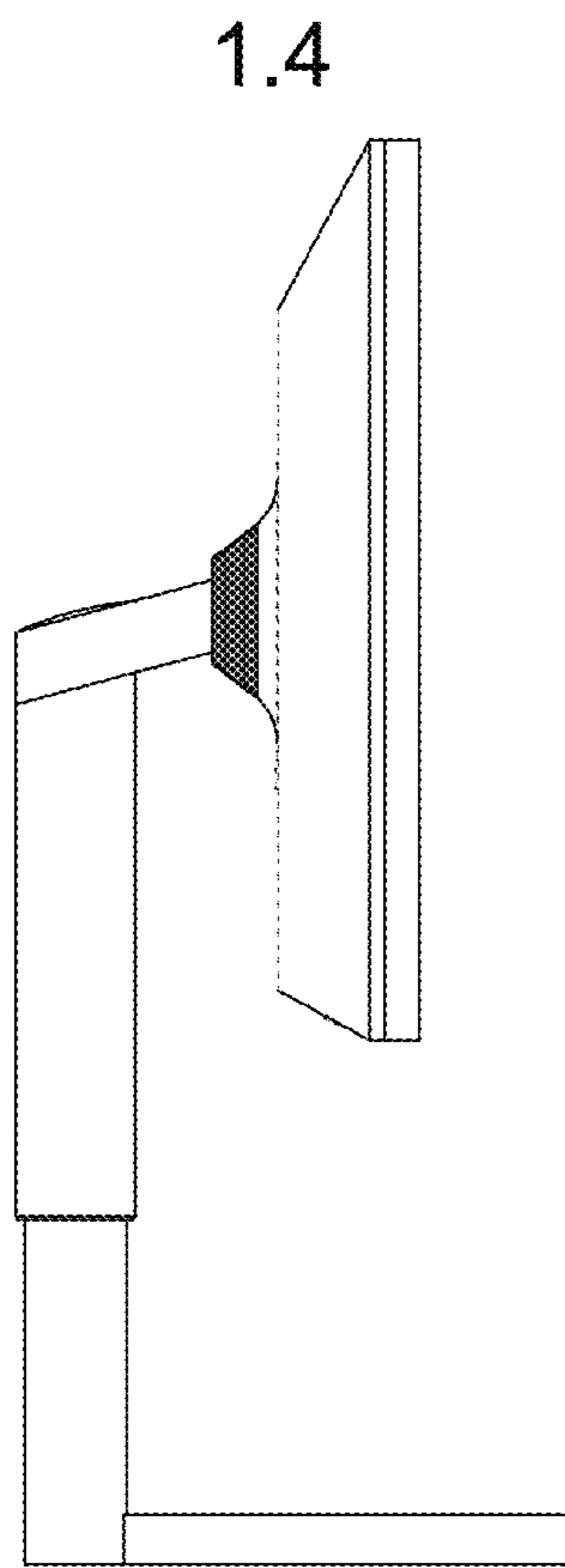


1.2

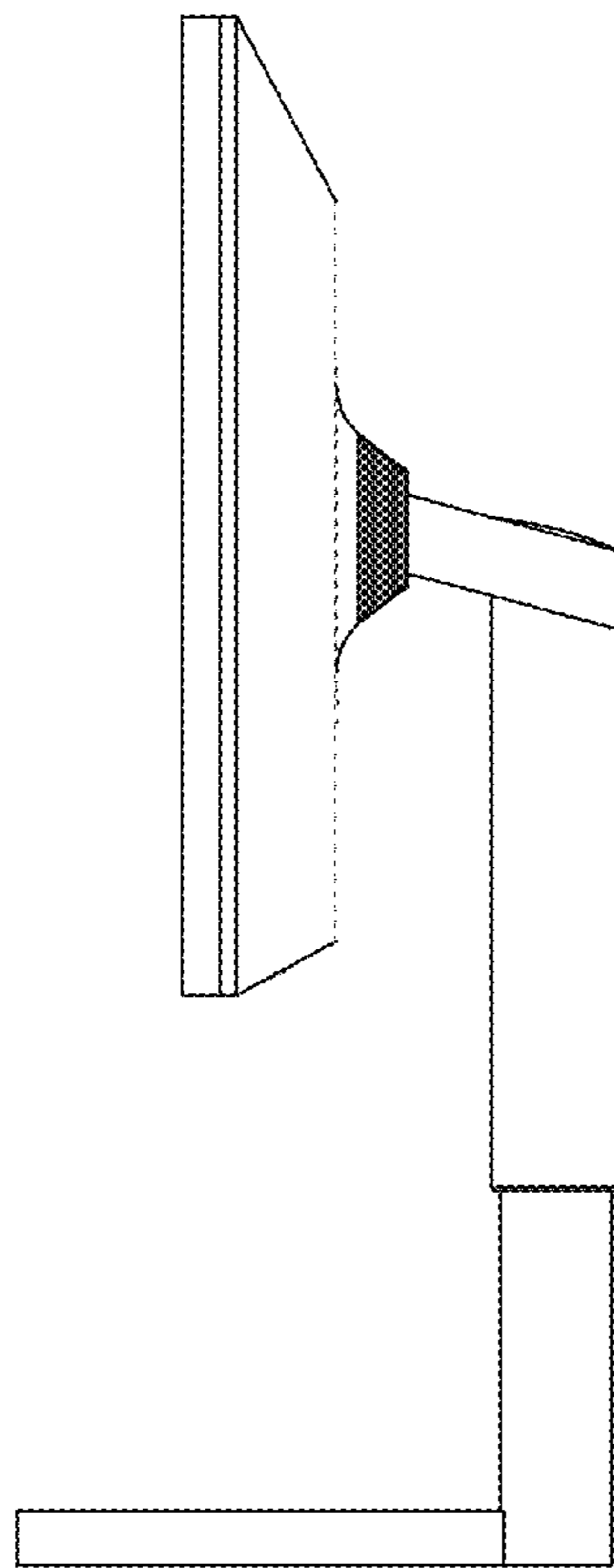


1.3

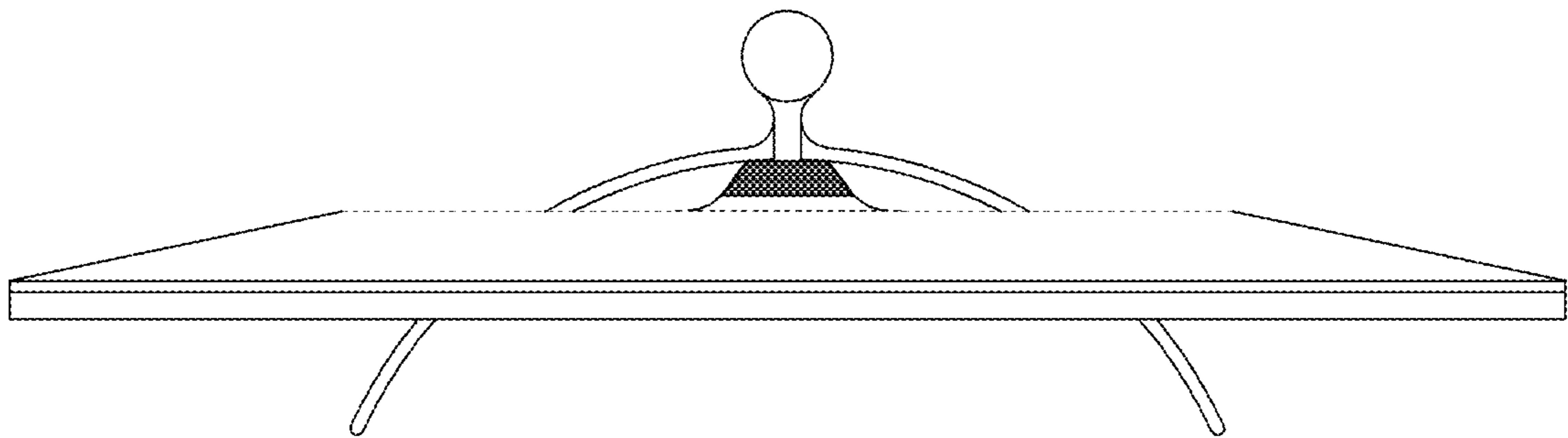




1.5



1.6



1.7

