

US00D871405S

(12) **United States Design Patent** (10) **Patent No.:** **US D871,405 S**  
**Denhez et al.** (45) **Date of Patent:** **\*\* Dec. 31, 2019**

(54) **HEADSET WITH VISOR**

(56) **References Cited**

(71) Applicant: **Microsoft Corporation**, Redmond, WA (US)

U.S. PATENT DOCUMENTS

(72) Inventors: **Nicolas A. Denhez**, Seattle, WA (US); **Young Duk Song**, Kirkland, WA (US); **YeongKyu Yoo**, Bellevue, WA (US); **Paul A. Bosveld**, Seattle, WA (US); **Carl J. Ledbetter**, Mercer Island, WA (US); **Yuenkeen Cheong**, Sammamish, WA (US); **Michael Bohan**, Maple Valley, WA (US); **Lynda Horton-Jones**, Kirkland, WA (US); **Roy Riccomini**, Saratoga, CA (US); **Jason Paul Williams**, Santa Clara, CA (US); **Andriy Pletenetsky**, Mountain View, CA (US); **Joel B. Jacobs**, Seattle, WA (US)

D293,328 S 12/1987 Murphy et al.  
D293,450 S 12/1987 Jannard  
5,519,460 A 5/1996 Mills  
D504,428 S 4/2005 Napolitano et al.  
D565,640 S 4/2008 Estrem  
D571,838 S 6/2008 Yee  
D574,405 S 8/2008 Yee  
D601,641 S 10/2009 Yeung  
D645,862 S 9/2011 Paul  
D687,434 S 8/2013 Serota  
D701,206 S 3/2014 Luckey et al.  
D704,706 S 5/2014 Serota

(Continued)

OTHER PUBLICATIONS

U.S. Appl. No. 29/665,841, filed Oct. 8, 2018.

(Continued)

*Primary Examiner* — Randall H Gholson

(73) Assignee: **Microsoft Corporation**, Redmond, WA (US)

(74) *Attorney, Agent, or Firm* — Banner & Witcoff, Ltd.

(\*\*) Term: **15 Years**

(57) **CLAIM**

(21) Appl. No.: **29/665,855**

The ornamental design for a headset with visor, as shown and described.

(22) Filed: **Oct. 8, 2018**

(51) **LOC (12) Cl.** ..... **14-02**

(52) **U.S. Cl.**

USPC ..... **D14/372**; D29/122

(58) **Field of Classification Search**

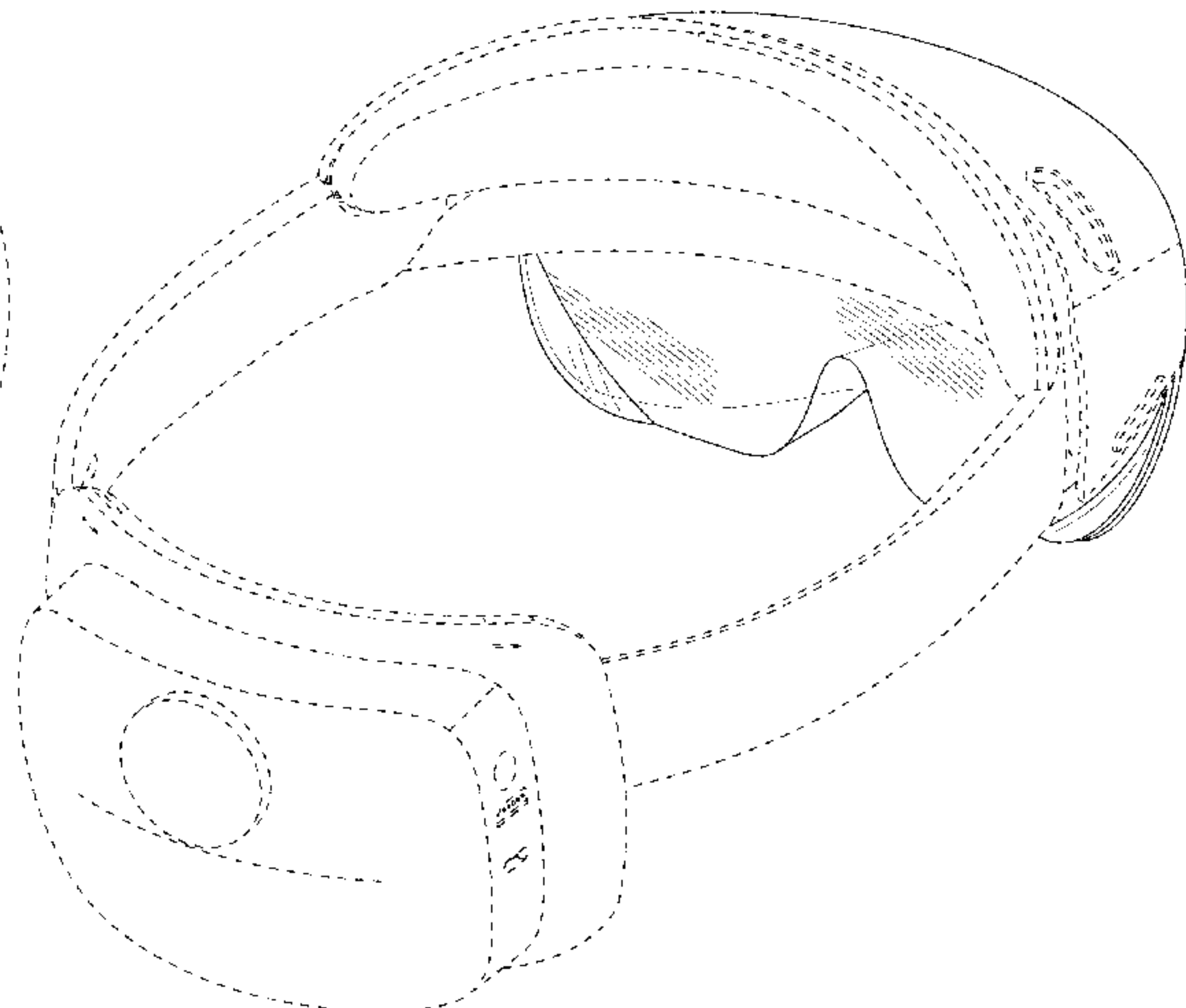
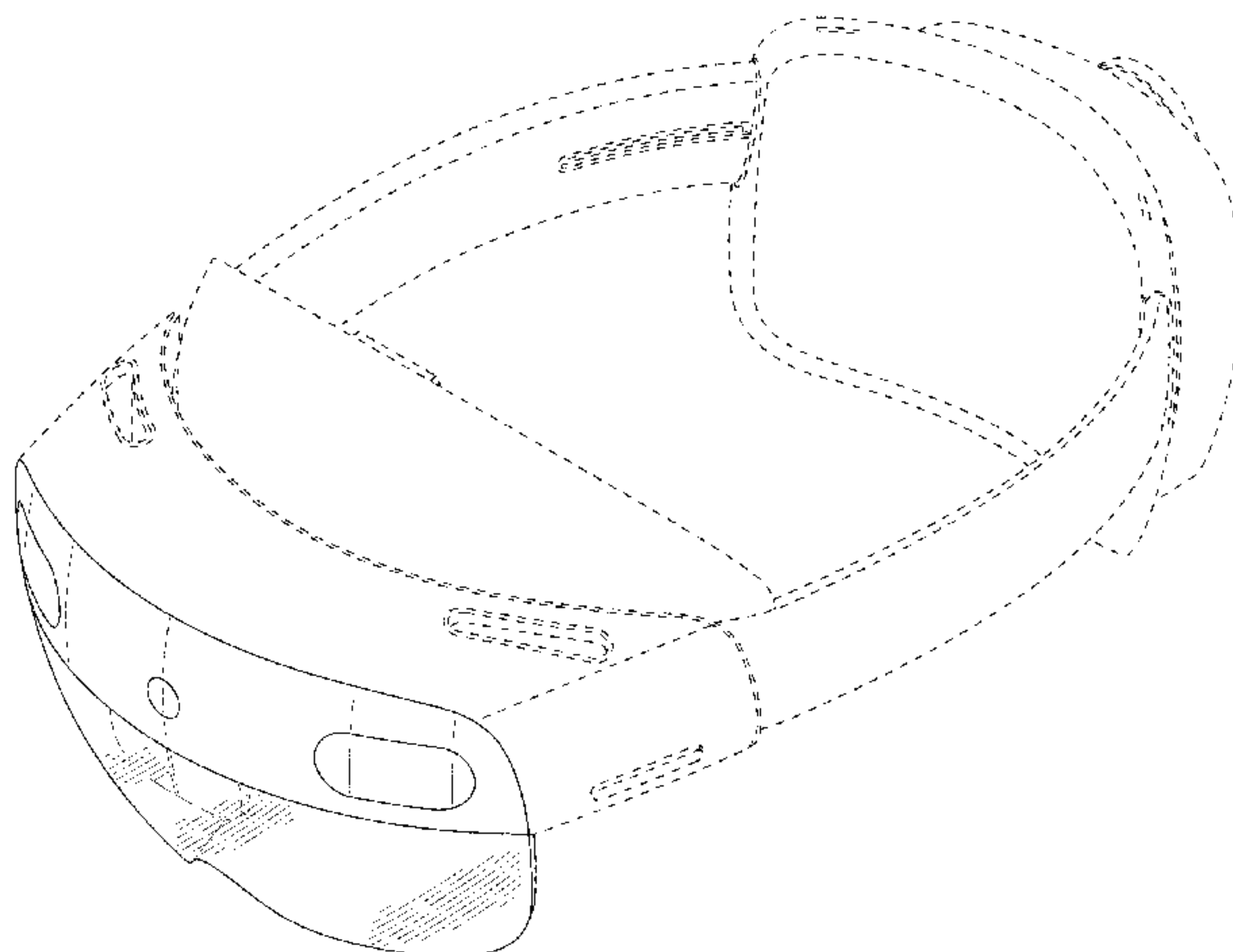
USPC ..... D14/372, 496, 432, 371, 125, 126, 129, D14/299; D16/300–342; 351/158, 153, 351/144; 345/7–9, 905; 455/344; 348/115, 53, 121, 739; D29/122  
CPC ..... G02B 27/017; G02B 27/0158; G02B 27/0161; G02B 27/0181; G02B 27/0185; G02B 27/0189

See application file for complete search history.

**DESCRIPTION**

FIG. 1 is a top front perspective view of a headset with visor showing our new design;  
FIG. 2 is a top rear perspective view thereof;  
FIG. 3 is a front view thereof;  
FIG. 4 is a rear view thereof;  
FIG. 5 is a right side view thereof;  
FIG. 6 is a left side view thereof;  
FIG. 7 is a top view thereof; and,  
FIG. 8 is a bottom view thereof.

(Continued)



The broken lines depicting of the remainder of the headset with visor show features that form no part of the claimed design.

**1 Claim, 8 Drawing Sheets**

(56)

**References Cited**

U.S. PATENT DOCUMENTS

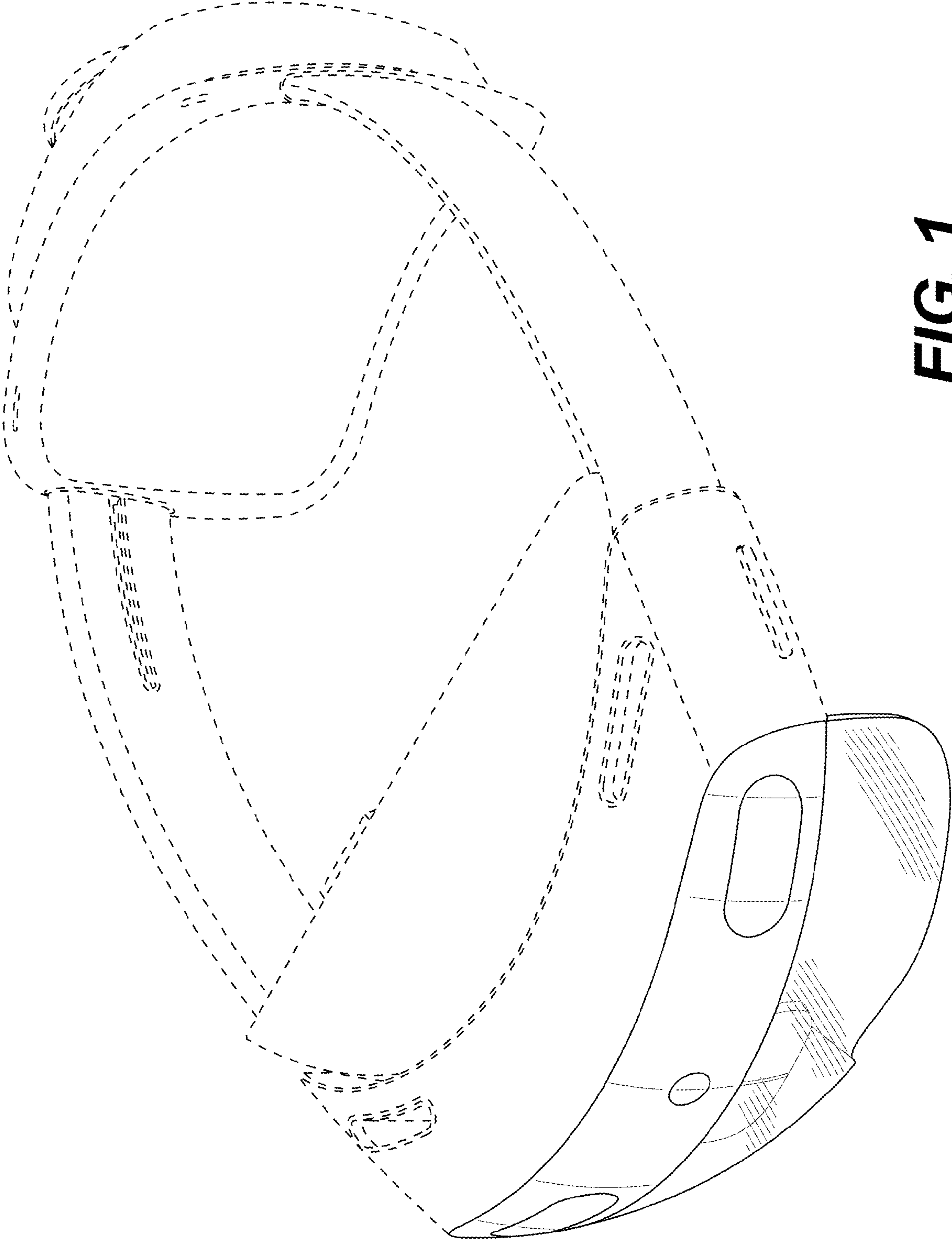
D709,880 S 7/2014 Kim et al.  
D713,406 S 9/2014 Pombo et al.  
D714,786 S 10/2014 Pombo et al.  
D719,953 S 12/2014 Nokuo et al.  
D722,054 S 2/2015 Serota  
D724,559 S 3/2015 Reaux  
D725,690 S 3/2015 Garfias  
D727,318 S 4/2015 Garcia Marin et al.  
D727,896 S 4/2015 Laluque  
D739,855 S 9/2015 Bosveld et al.  
D740,283 S 10/2015 Bosveld et al.  
D740,810 S 10/2015 Bosveld et al.  
D740,811 S 10/2015 Bosveld et al.  
D740,812 S 10/2015 Bosveld et al.

D740,813 S 10/2015 Bosveld et al.  
D740,814 S 10/2015 Bosveld et al.  
D740,815 S 10/2015 Bosveld et al.  
D740,816 S 10/2015 Bosveld et al.  
D741,322 S 10/2015 Bosveld et al.  
D741,323 S 10/2015 Bosveld et al.  
D741,324 S 10/2015 Bosveld et al.  
D741,325 S 10/2015 Bosveld et al.  
D741,326 S 10/2015 Bosveld et al.  
D741,858 S 10/2015 Bosveld et al.  
D741,859 S 10/2015 Bosveld et al.  
D741,860 S 10/2015 Bosveld et al.  
D748,628 S 2/2016 Bosveld et al.  
D761,257 S \* 7/2016 Passmore ..... D14/372  
D805,073 S \* 12/2017 Yee ..... D14/372  
D825,561 S \* 8/2018 Gribetz ..... D14/372  
2013/0237146 A1 9/2013 Serota  
2013/0285886 A1 10/2013 Pombo et al.

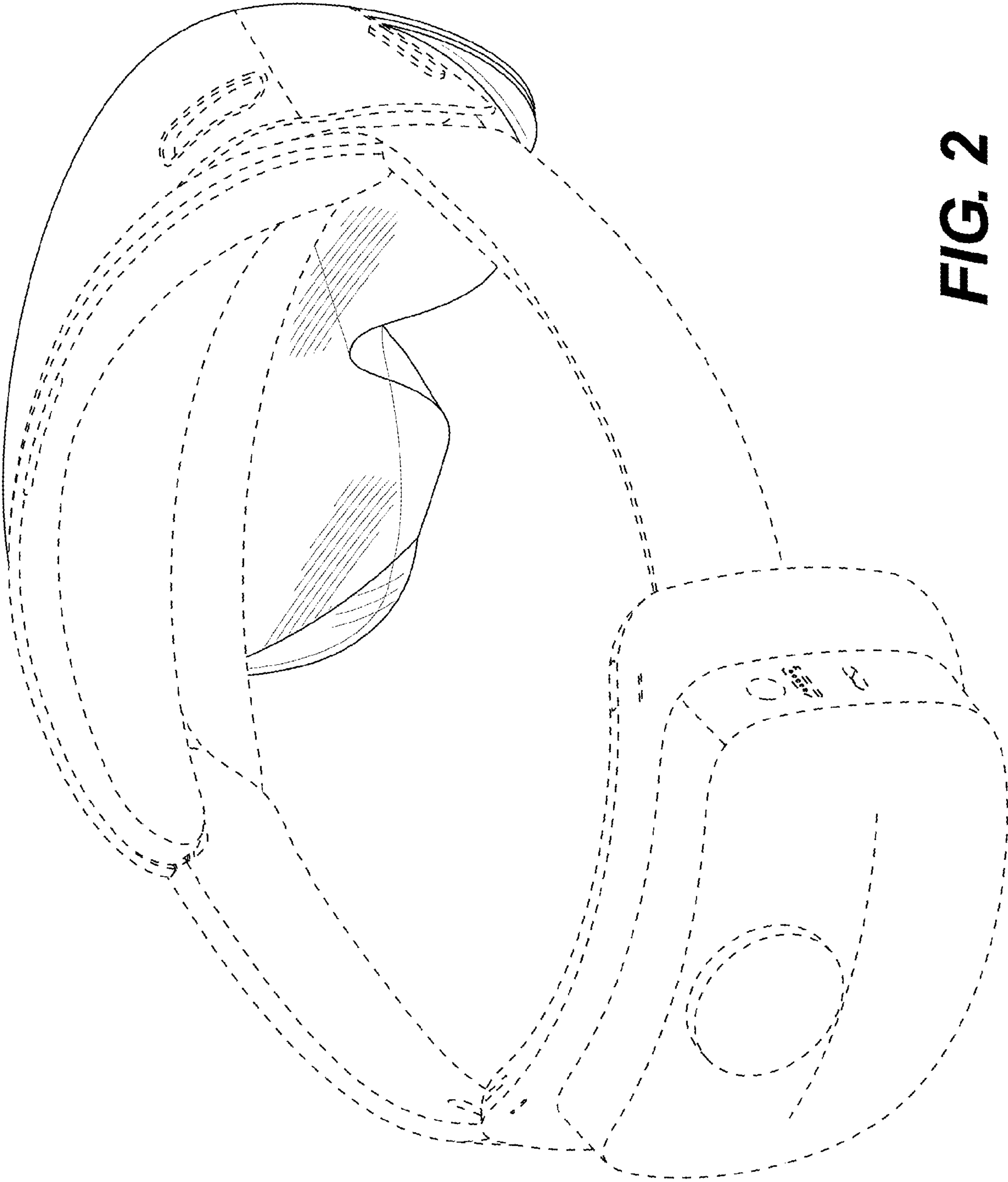
OTHER PUBLICATIONS

U.S. Appl. No. 29/665,845, filed Oct. 8, 2018.  
U.S. Appl. No. 29/665,849, filed Oct. 8, 2018.  
U.S. Appl. No. 29/665,857, filed Oct. 8, 2018.  
U.S. Appl. No. 29/665,859, filed Oct. 8, 2018.

\* cited by examiner

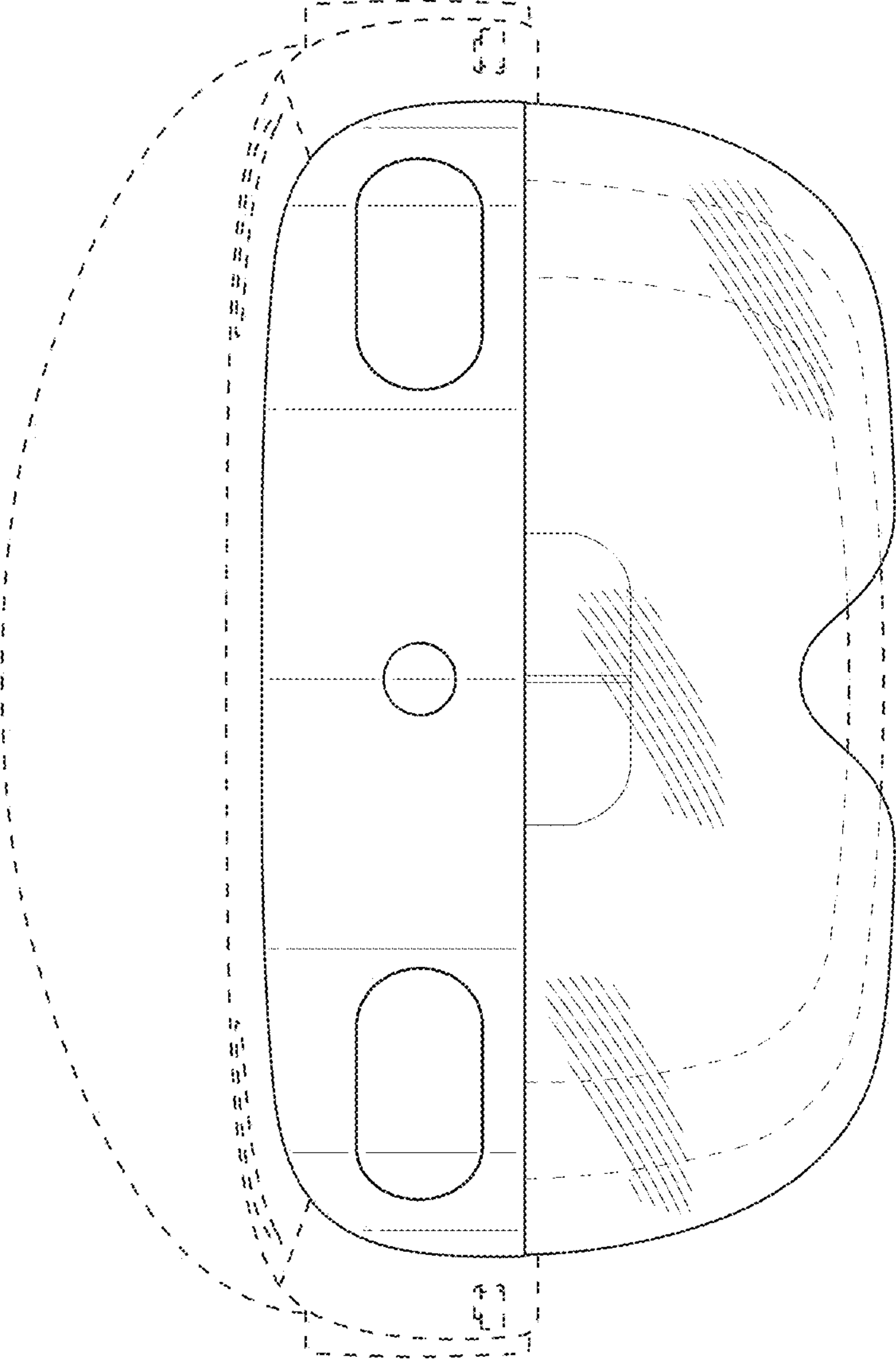


**FIG. 1**

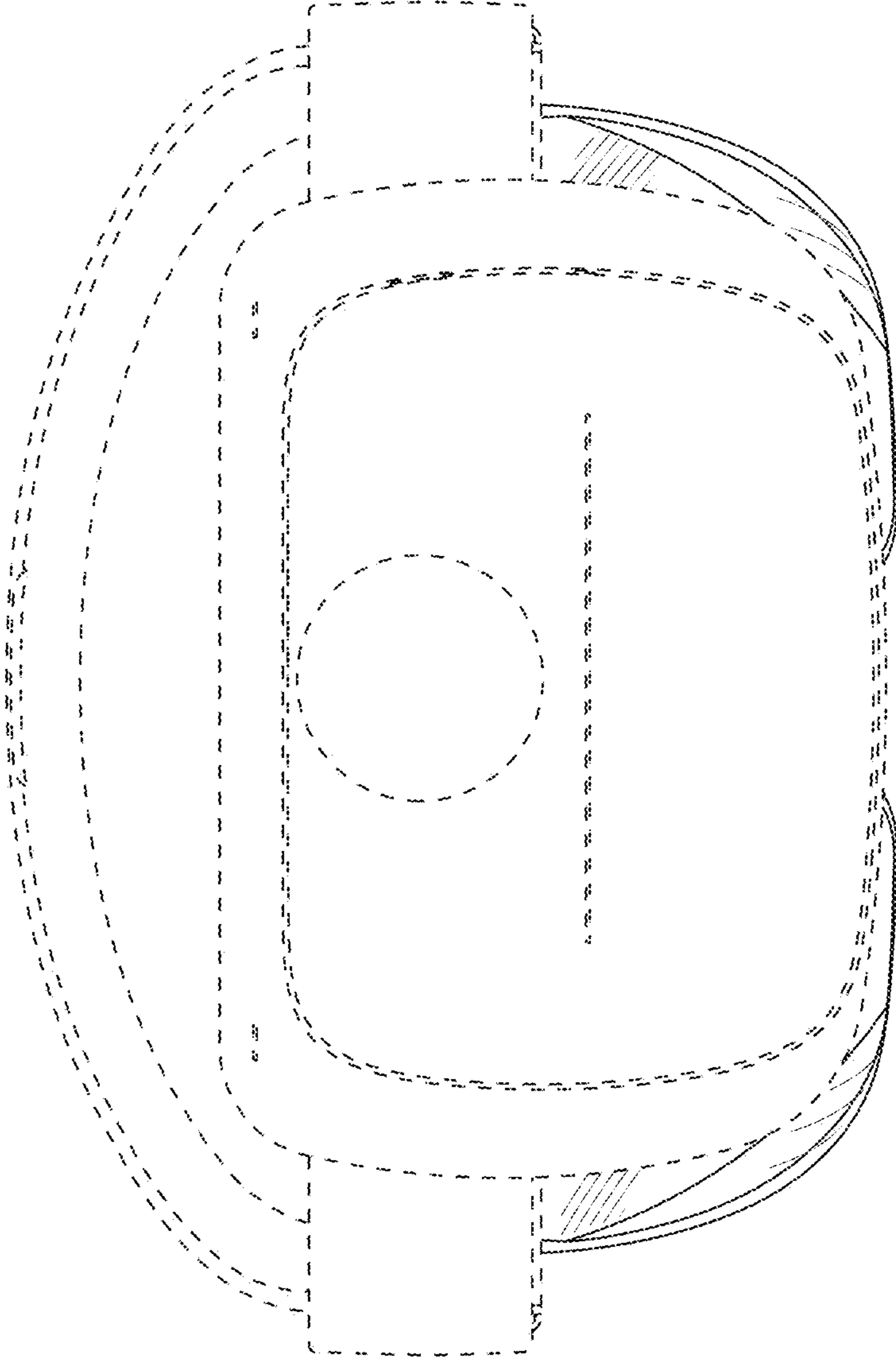


**FIG. 2**





**FIG. 3**



**FIG. 4**

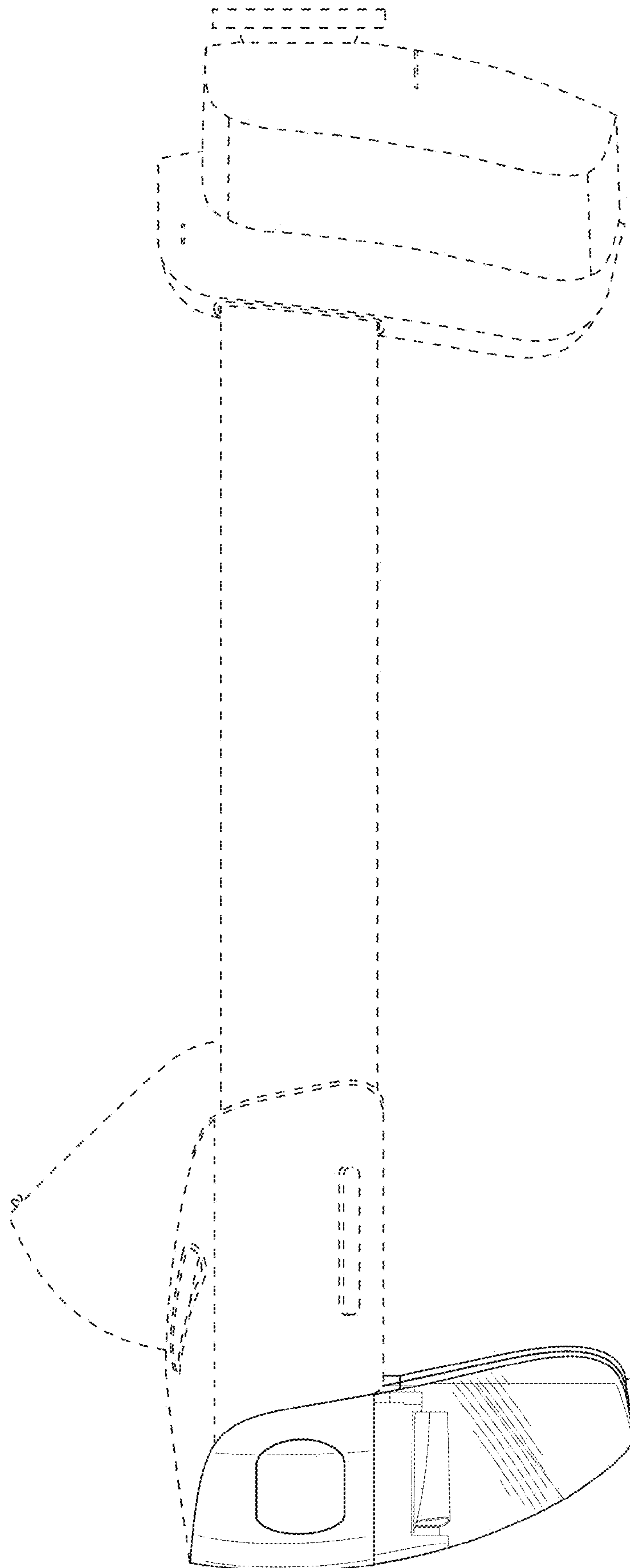
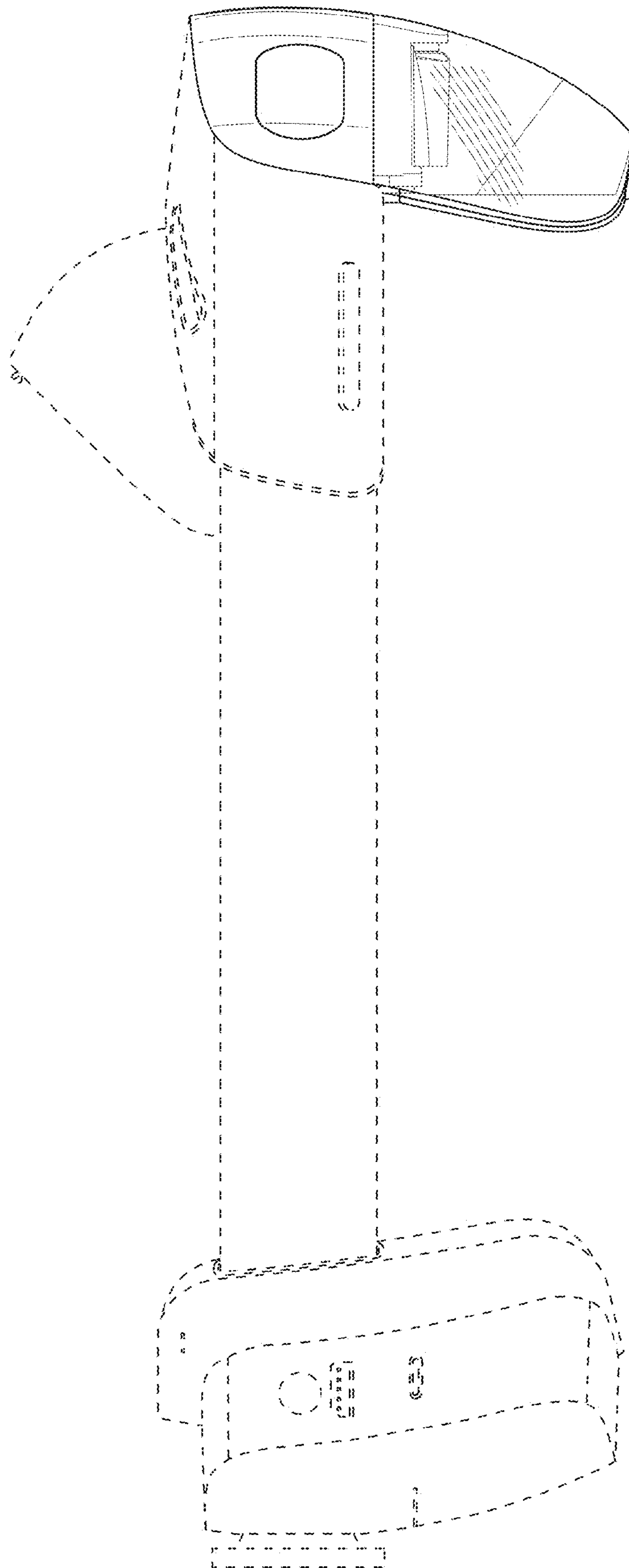
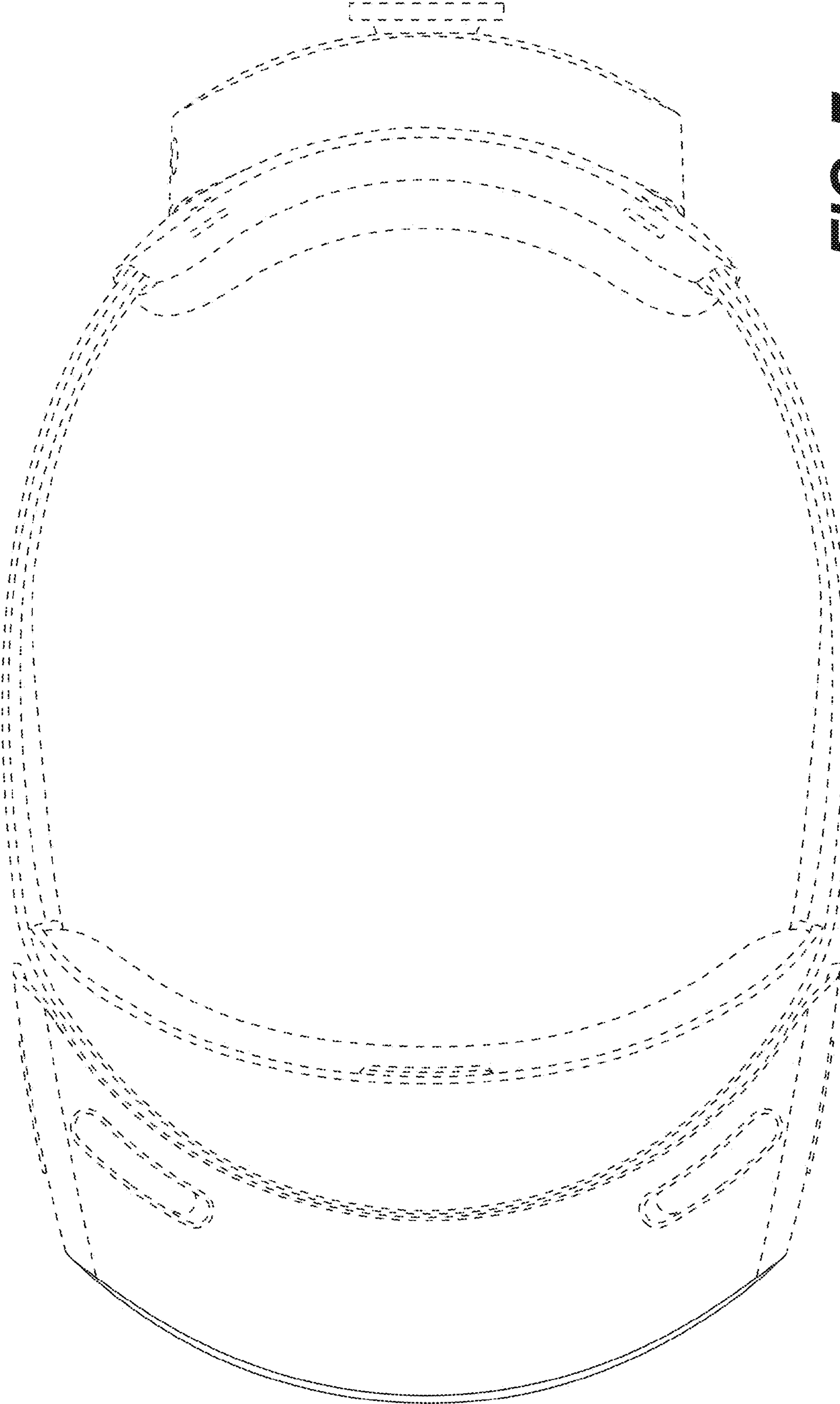


FIG. 5



**FIG. 6**





**FIG. 7**

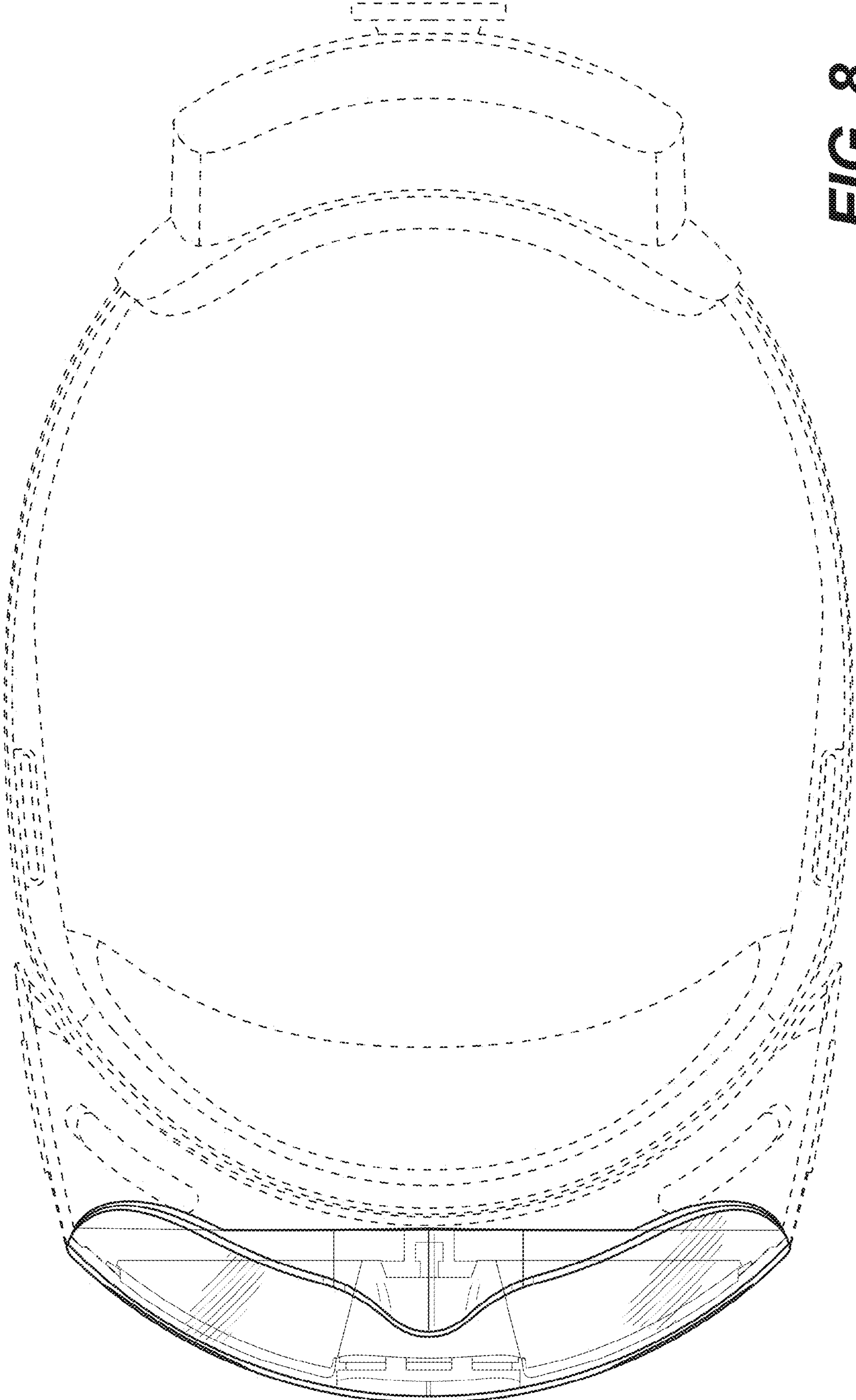


FIG. 8