



US00D871404S

(12) **United States Design Patent** (10) **Patent No.:** **US D871,404 S**
Denhez et al. (45) **Date of Patent:** **** Dec. 31, 2019**

(54) **HEADSET WITH VISOR**

(71) Applicant: **Microsoft Corporation**, Redmond, WA (US)

(72) Inventors: **Nicolas A. Denhez**, Seattle, WA (US);
Young Duk Song, Kirkland, WA (US);
YeongKyu Yoo, Bellevue, WA (US);
Paul A. Bosveld, Seattle, WA (US);
Carl J. Ledbetter, Mercer Island, WA (US);
Yuenkeen Cheong, Sammamish, WA (US);
Michael Bohan, Maple Valley, WA (US);
Lynda Horton-Jones, Kirkland, WA (US);
Roy Riccomini, Saratoga, CA (US);
Jason Paul Williams, Santa Clara, CA (US);
Andriy Pletenetsky, Redmond, WA (US);
Joel B. Jacobs, Seattle, WA (US)

(73) Assignee: **Microsoft Corporation**, Redmond, WA (US)

(**) Term: **15 Years**

(21) Appl. No.: **29/665,841**

(22) Filed: **Oct. 8, 2018**

(51) **LOC (12) Cl.** **14-02**

(52) **U.S. Cl.**
USPC **D14/372**

(58) **Field of Classification Search**
USPC D14/372, 496, 432, 371, 125, 126, 129,
D14/299; D16/300-342; 351/158, 153,
351/144; 345/7-9, 905; 455/344;
348/115, 53, 121, 739
CPC G02B 27/017; G02B 27/0158; G02B
27/0161; G02B 27/0181; G02B 27/0185;
G02B 27/0189

See application file for complete search history.

(56) **References Cited**

U.S. PATENT DOCUMENTS

D293,328 S	12/1987	Murphy et al.
D293,450 S	12/1987	Jannard
5,519,460 A	5/1996	Mills
D504,428 S	4/2005	Napolitano et al.
D565,640 S	4/2008	Estrem
D571,838 S	6/2008	Yee
D574,405 S	8/2008	Yee
D601,641 S	10/2009	Yeung
D645,862 S	9/2011	Paul
D687,434 S	8/2013	Serota
D701,206 S	3/2014	Luckey et al.
D704,706 S	5/2014	Serota

(Continued)

OTHER PUBLICATIONS

U.S. Appl. No. 29/665,845, filed Oct. 8, 2018.

(Continued)

Primary Examiner — Austin Murphy

(74) *Attorney, Agent, or Firm* — Banner & Witcoff, Ltd.

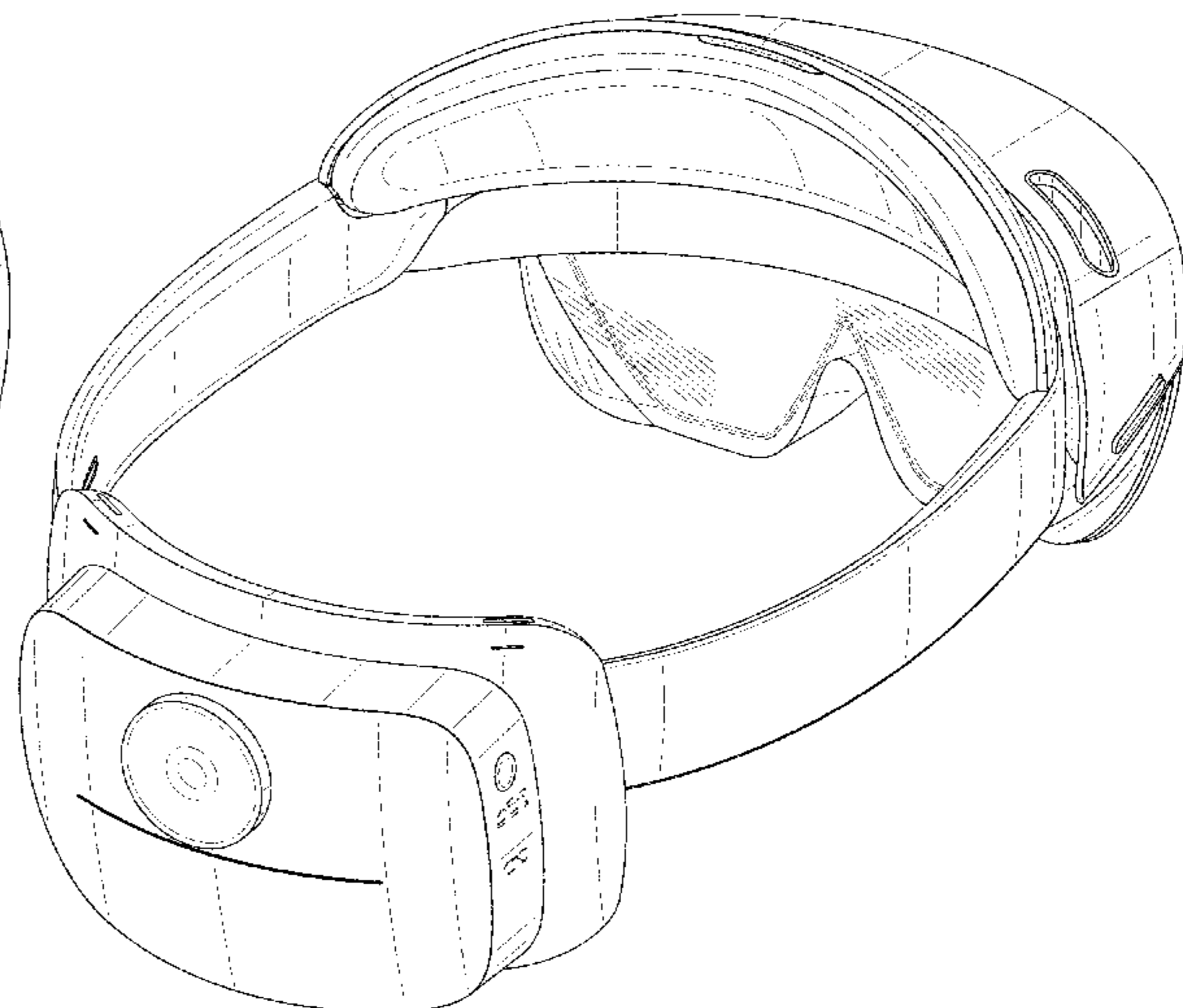
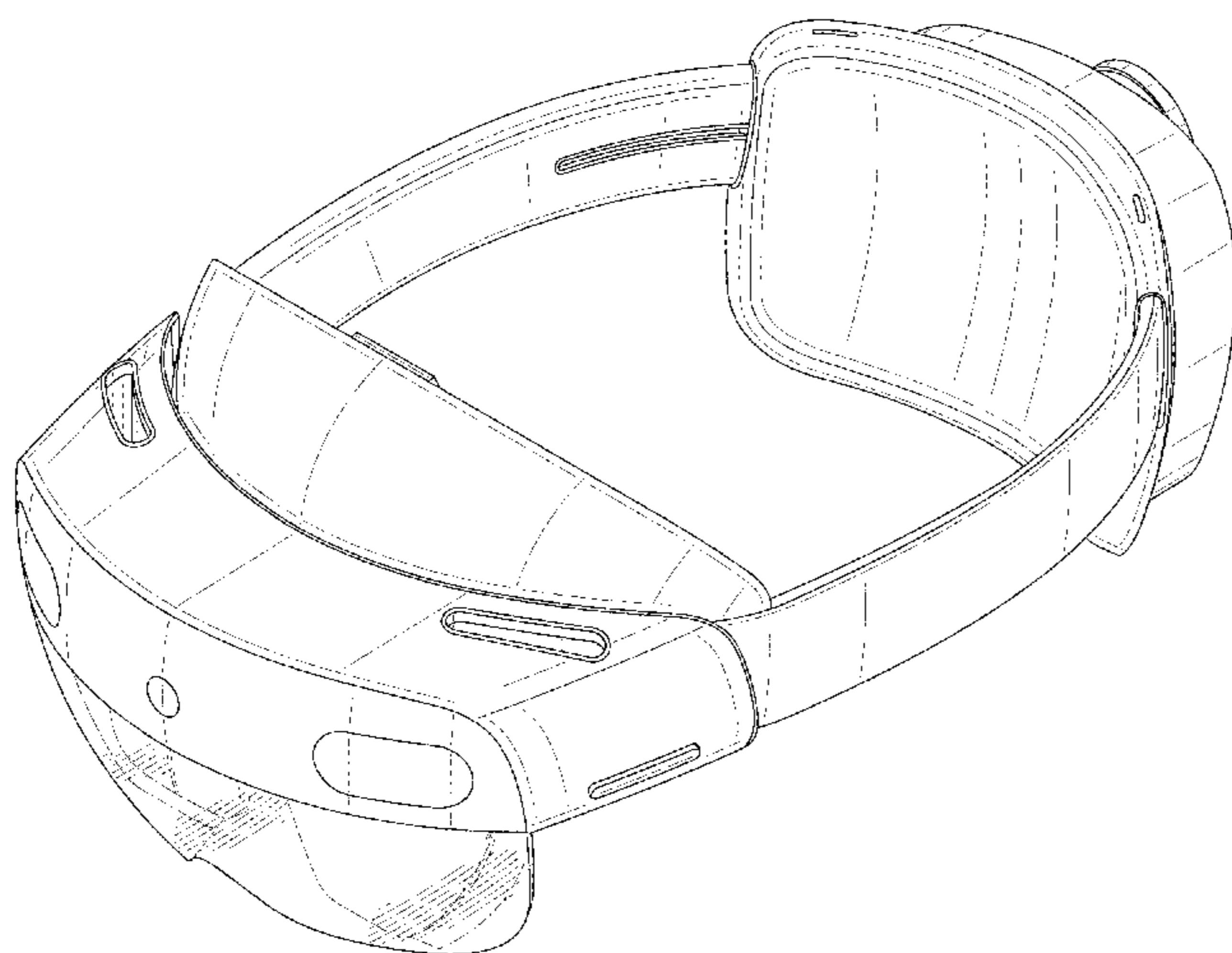
(57) **CLAIM**

The ornamental design for a headset with visor, as shown and described.

DESCRIPTION

FIG. 1 is a top front perspective view of a headset with visor showing our new design;
FIG. 2 is a top rear perspective view thereof;
FIG. 3 is a front view thereof;
FIG. 4 is a rear view thereof;
FIG. 5 is a right side view thereof;
FIG. 6 is a left side view thereof;
FIG. 7 is a top view thereof; and,
FIG. 8 is a bottom view thereof.
The broken lines depicting of the remainder of the headset with visor in FIGS. 1-8 show features that form no part of the claimed design.

1 Claim, 8 Drawing Sheets



(56)

References Cited

U.S. PATENT DOCUMENTS

D709,880 S 7/2014 Kim et al.
 D713,406 S 9/2014 Pombo et al.
 D714,786 S 10/2014 Pombo et al.
 D719,953 S 12/2014 Nokuo et al.
 D722,054 S 2/2015 Serota
 D724,559 S 3/2015 Reaux
 D725,690 S 3/2015 Garfias
 D727,318 S 4/2015 Garcia Marin et al.
 D727,896 S 4/2015 Laluque
 D739,855 S 9/2015 Bosveld et al.
 D740,283 S 10/2015 Bosveld et al.
 D740,810 S 10/2015 Bosveld et al.
 D740,811 S 10/2015 Bosveld et al.
 D740,812 S 10/2015 Bosveld et al.
 D740,813 S 10/2015 Bosveld et al.
 D740,814 S 10/2015 Bosveld et al.
 D740,815 S * 10/2015 Bosveld D14/372
 D740,816 S 10/2015 Bosveld et al.
 D741,322 S 10/2015 Bosveld et al.
 D741,323 S * 10/2015 Bosveld D14/372
 D741,324 S * 10/2015 Bosveld D14/372
 D741,325 S 10/2015 Bosveld et al.
 D741,326 S 10/2015 Bosveld et al.

D741,858 S * 10/2015 Bosveld D14/372
 D741,859 S 10/2015 Bosveld et al.
 D741,860 S 10/2015 Bosveld et al.
 D748,628 S * 2/2016 Bosveld D14/372
 D785,619 S * 5/2017 Su D14/372
 D807,358 S * 1/2018 Huang D14/372
 D810,743 S * 2/2018 Yee D14/372
 D838,718 S * 1/2019 Chiang D14/372
 D839,269 S * 1/2019 Wang D14/372
 D842,300 S * 3/2019 Chiang D14/372
 D844,605 S * 4/2019 Yeh D14/372
 D849,003 S * 5/2019 Chiang D14/372
 10,289,157 B2 * 5/2019 Chen G06F 1/163
 D857,692 S * 8/2019 Conlee, IV D14/372
 D861,680 S * 10/2019 Chou D14/372
 2013/0237146 A1 9/2013 Serota
 2013/0285886 A1 10/2013 Pombo et al.

OTHER PUBLICATIONS

U.S. Appl. No. 29/665,849, filed Oct. 8, 2018.
 U.S. Appl. No. 29/665,855, filed Oct. 8, 2018.
 U.S. Appl. No. 29/665,857, filed Oct. 8, 2018.
 U.S. Appl. No. 29/665,859, filed Oct. 8, 2018.

* cited by examiner



FIG. 1

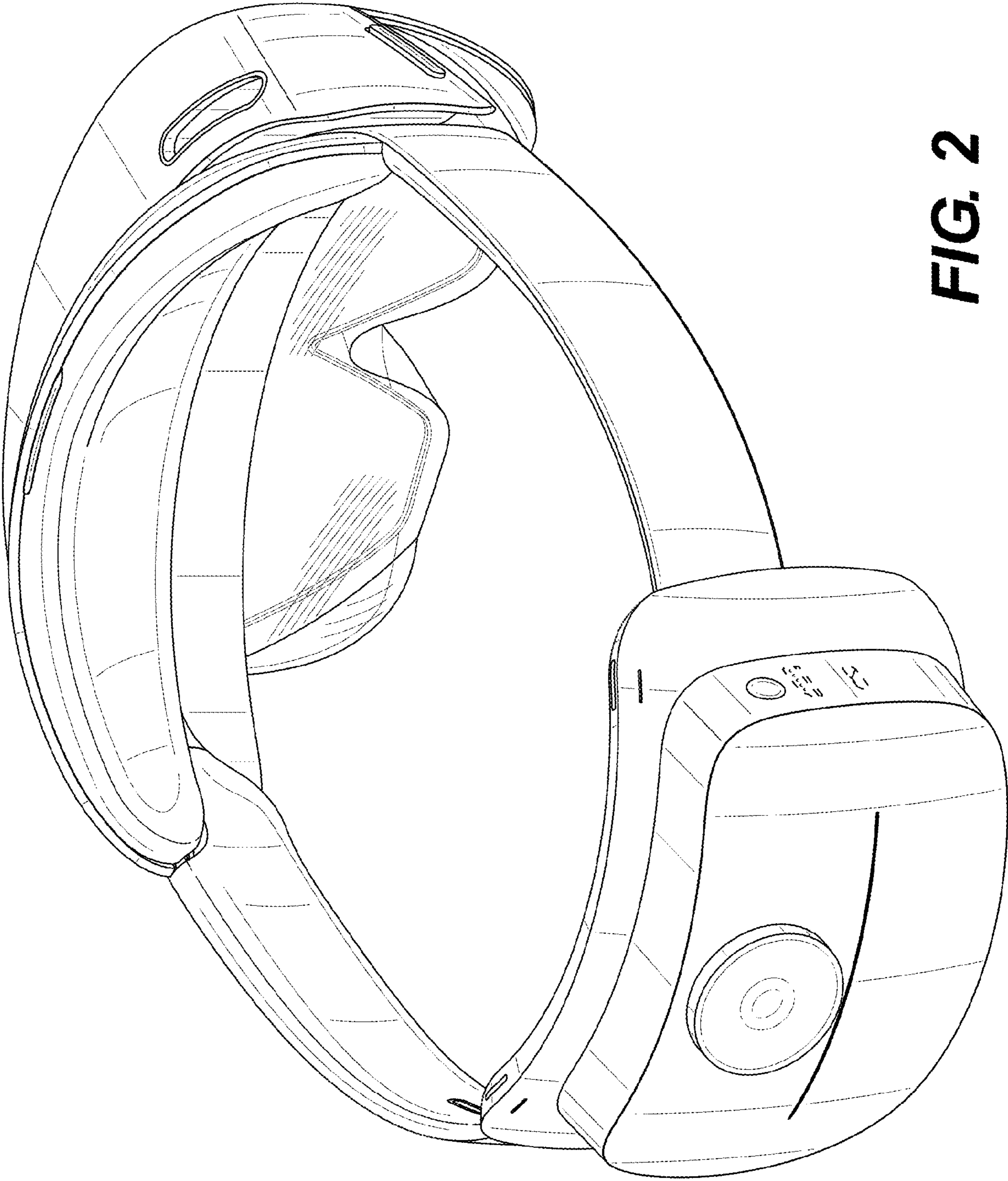


FIG. 2

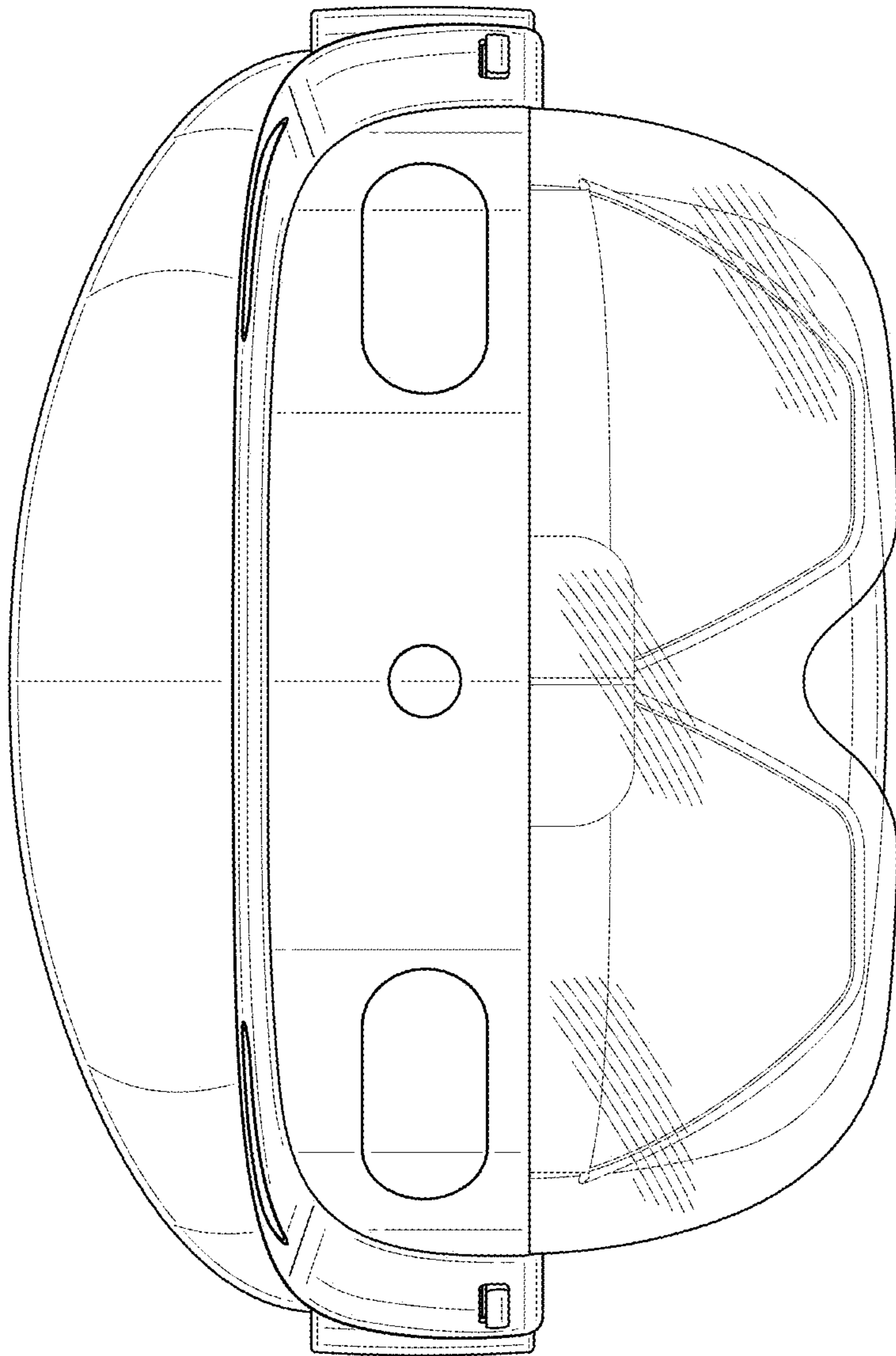


FIG. 3

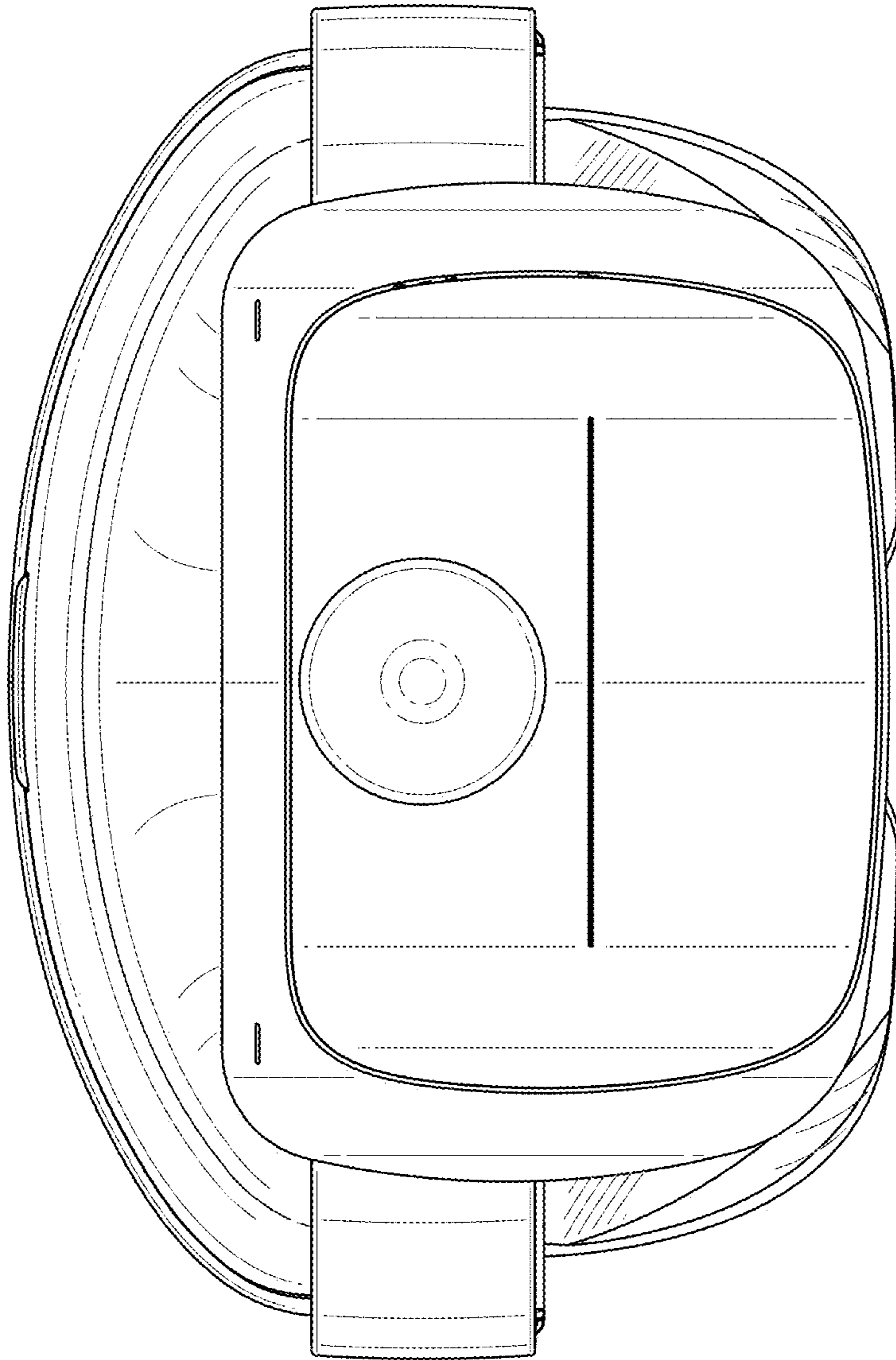


FIG. 4

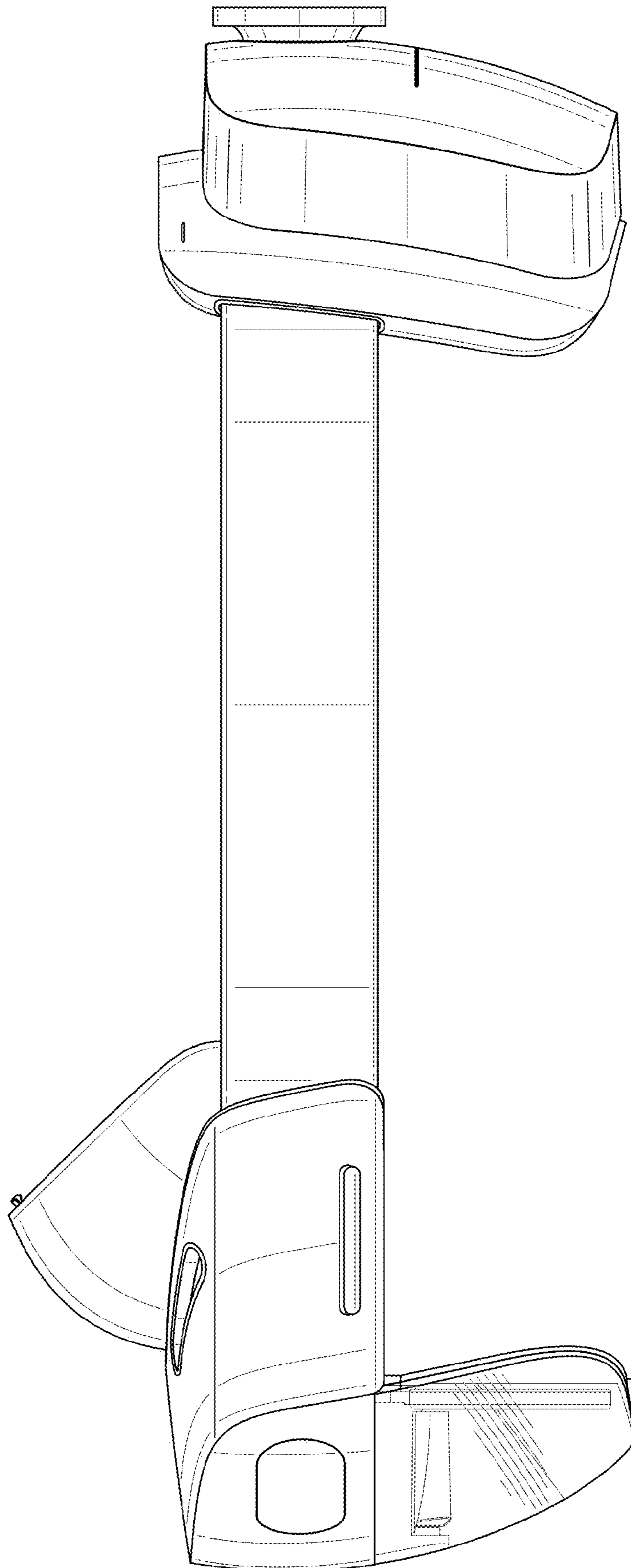


FIG. 5

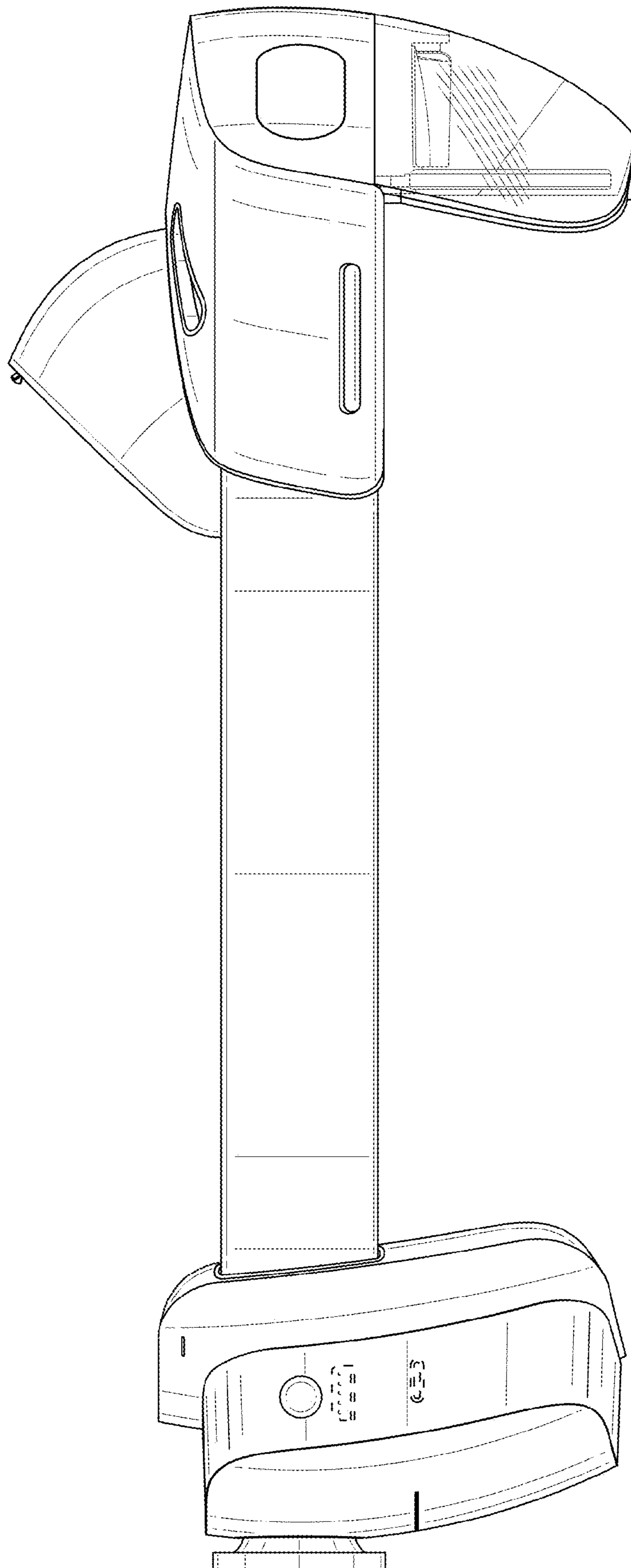


FIG. 6

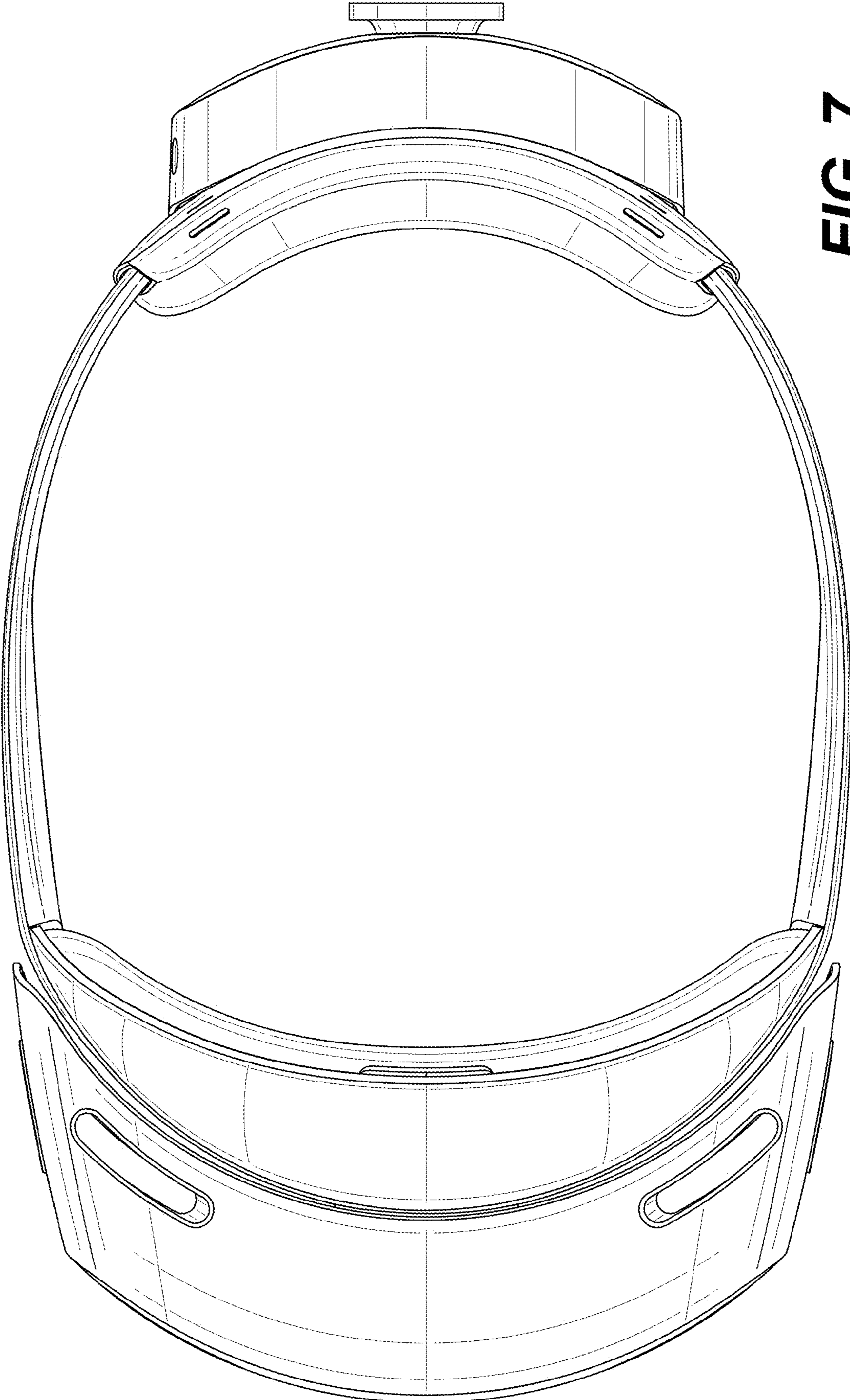


FIG. 7

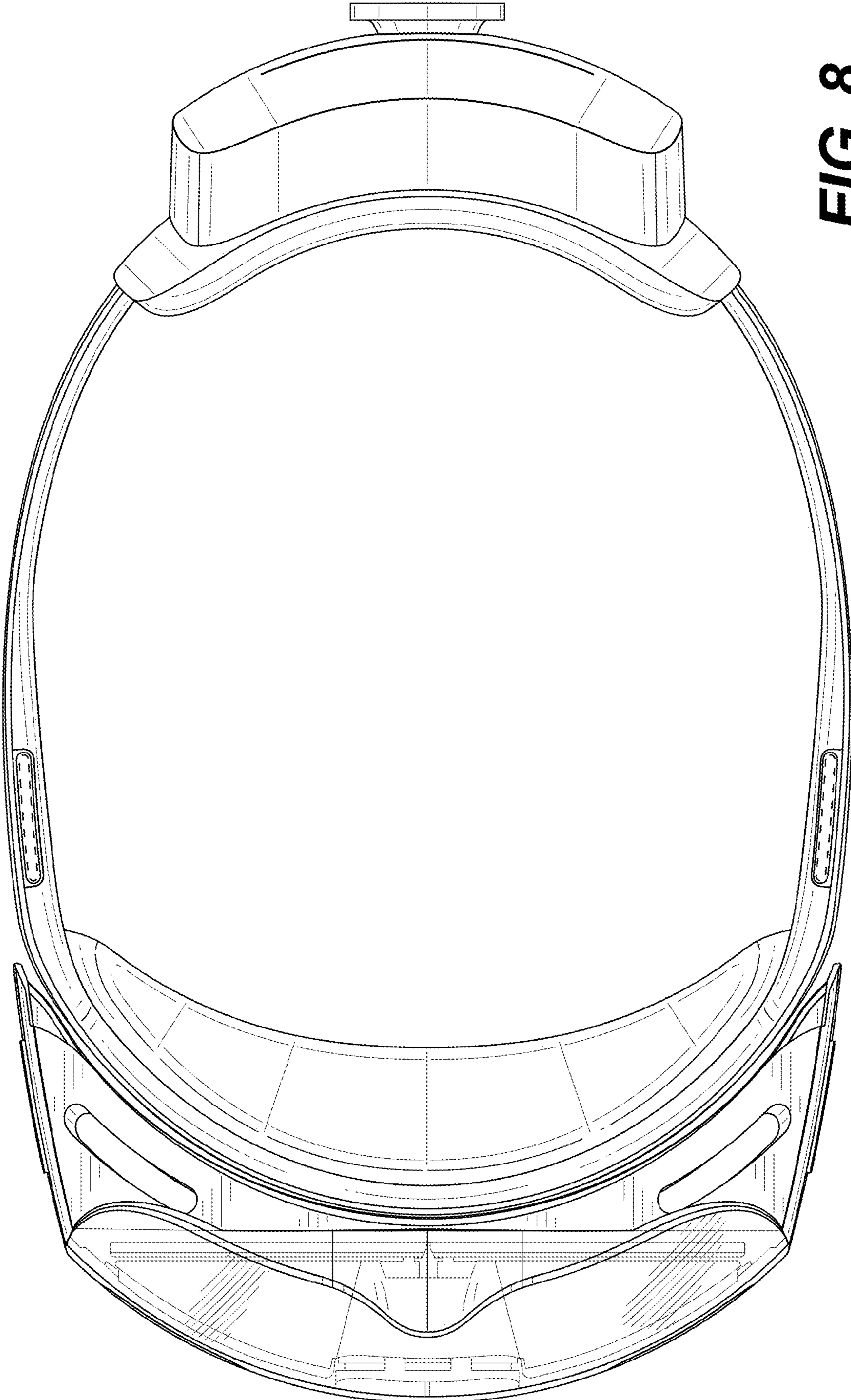


FIG. 8