



US00D871403S

(12) **United States Design Patent**
Kobayashi

(10) **Patent No.:** **US D871,403 S**

(45) **Date of Patent:** **** Dec. 31, 2019**

(54) **DISPLAY MODULE**

(71) Applicant: **Sony Corporation**, Tokyo (JP)

(72) Inventor: **Toshimi Kobayashi**, Kanagawa (JP)

(73) Assignee: **SONY SEMICONDUCTOR SOLUTIONS CORPORATION**, Tokyo (JP)

(**) Term: **15 Years**

(21) Appl. No.: **29/553,148**

(22) Filed: **Jan. 28, 2016**

(51) **LOC (12) Cl.** **14-02**

(52) **U.S. Cl.**
USPC **D14/372**

(58) **Field of Classification Search**
USPC D16/219, 100, 330; D14/356–358, 361, D14/370, 372, 385, 388, 432–439, 447, D14/458, 474, 480.1, 483, 484.1, 217, D14/239, 299; D8/349, 354, 395
CPC G03B 17/02; G03B 19/04
See application file for complete search history.

(56) **References Cited**

U.S. PATENT DOCUMENTS

D344,733 S *	3/1994	Walthers	D14/140.8
D396,845 S *	8/1998	Caldes	D13/118
D413,334 S	8/1999	Takahashi et al.		
D590,122 S *	4/2009	Shaw	D34/35
8,092,011 B2 *	1/2012	Sugihara	G02B 27/0172 351/158
D659,137 S *	5/2012	Matsumoto	D14/372
D682,267 S *	5/2013	Mase	D14/372
D719,571 S	12/2014	Sugihara et al.		

D729,242 S *	5/2015	Kim	D14/372
D731,484 S *	6/2015	Olsson	D14/372
D733,137 S *	6/2015	Kawai	D14/372
D733,709 S *	7/2015	Kawai	D14/372
D743,089 S	11/2015	Sugihara et al.		
D755,281 S *	5/2016	Blum	D16/309
D799,480 S *	10/2017	Flanders	D14/372
D827,008 S *	8/2018	Okada	D16/131
D829,212 S *	9/2018	Bidwell	D14/426
2010/0245756 A1 *	9/2010	Sugihara	G02B 27/0172 351/158

* cited by examiner

Primary Examiner — Ian Simmons
Assistant Examiner — Yolanda Robinson
(74) *Attorney, Agent, or Firm* — Michael Best and Friedrich LLP

(57) **CLAIM**

The ornamental design for a display module, as shown and described.

DESCRIPTION

FIG. 1 is a perspective view of a display module showing my new design;
FIG. 2 is a front elevational view thereof.
FIG. 3 is a rear elevational view thereof;
FIG. 4 is a left side elevational view thereof;
FIG. 5 is a right side elevational view thereof;
FIG. 6 is a top plan view thereof; and,
FIG. 7 is a bottom plan view thereof.
The broken lines showing of unclaimed portions of the display module form no part of the claimed design. The dot-dash broken lines define the boundaries of, but not included in, the claimed design.

1 Claim, 7 Drawing Sheets

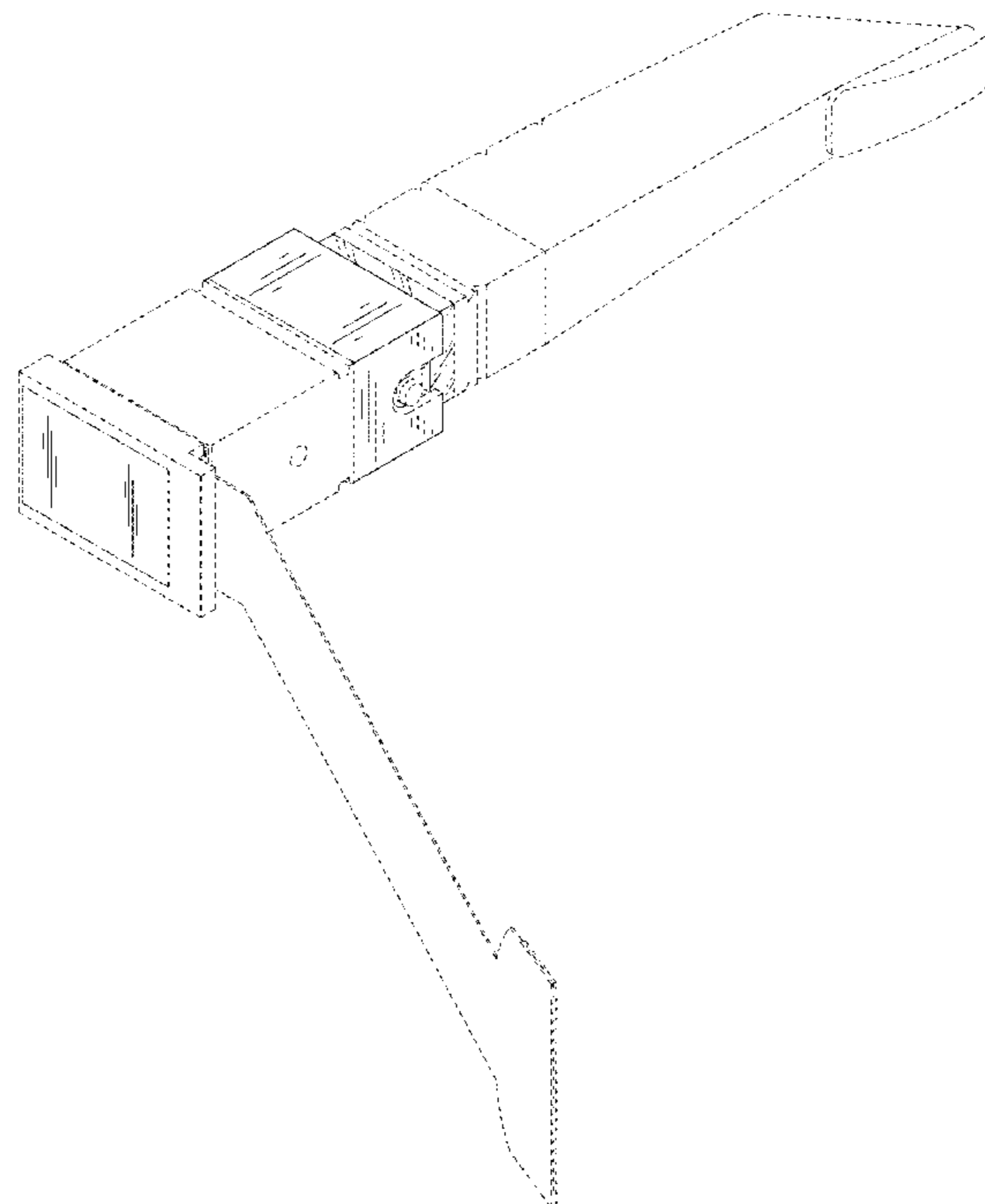


FIG. 1

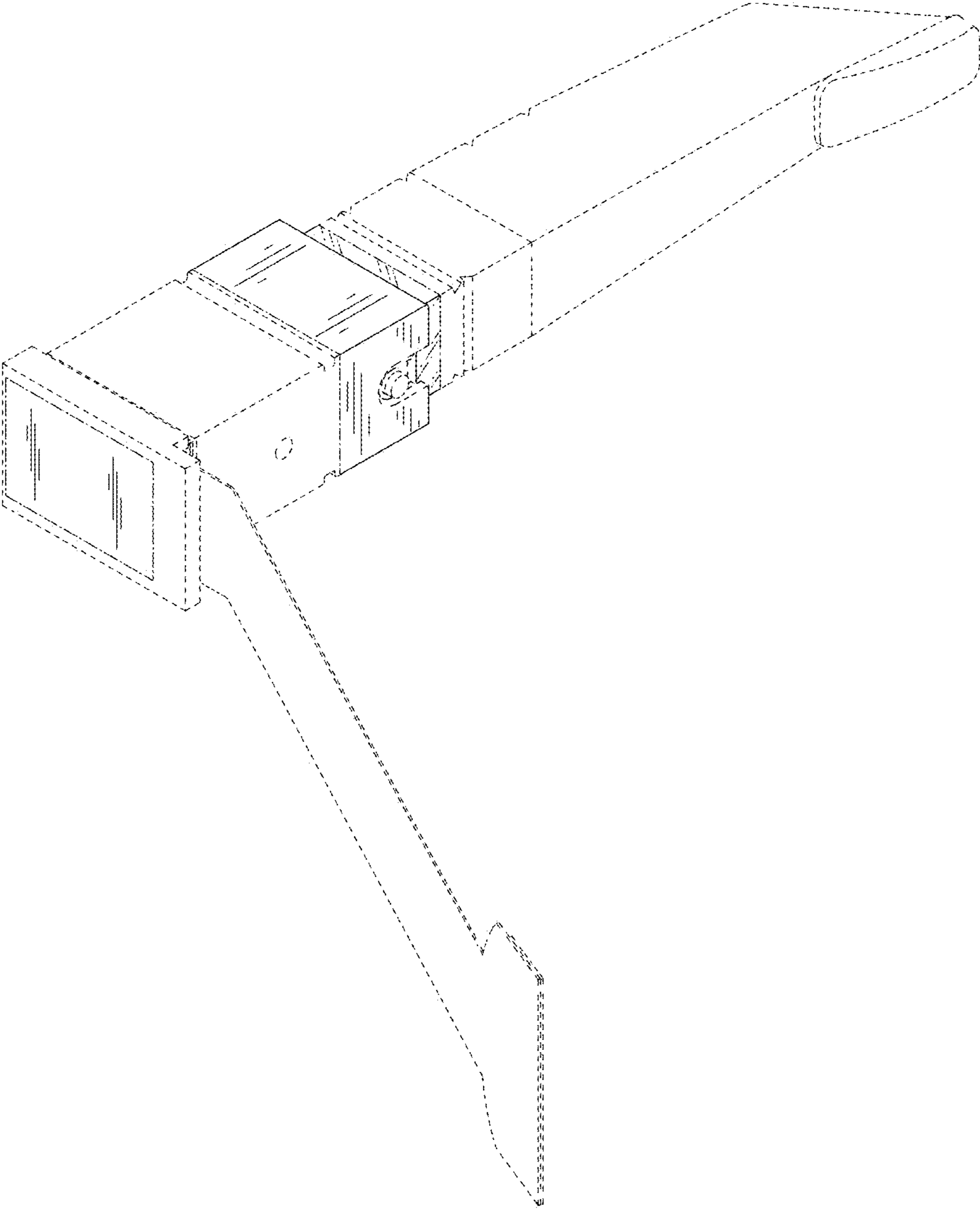
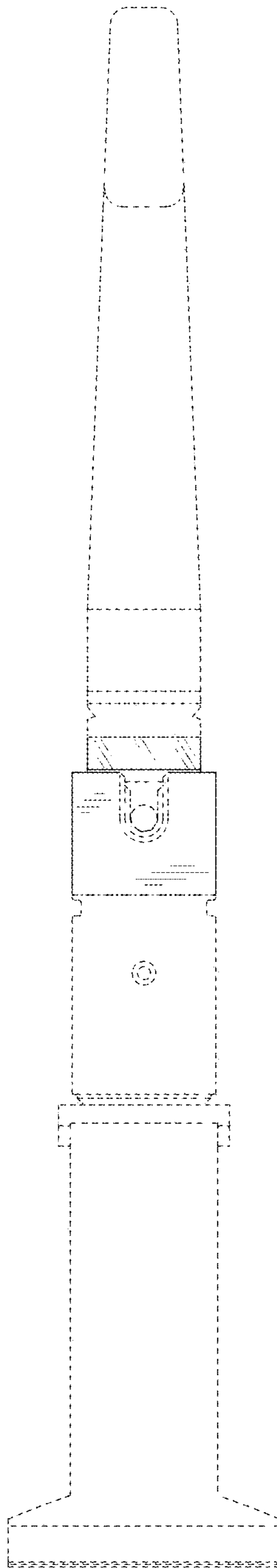


FIG. 2



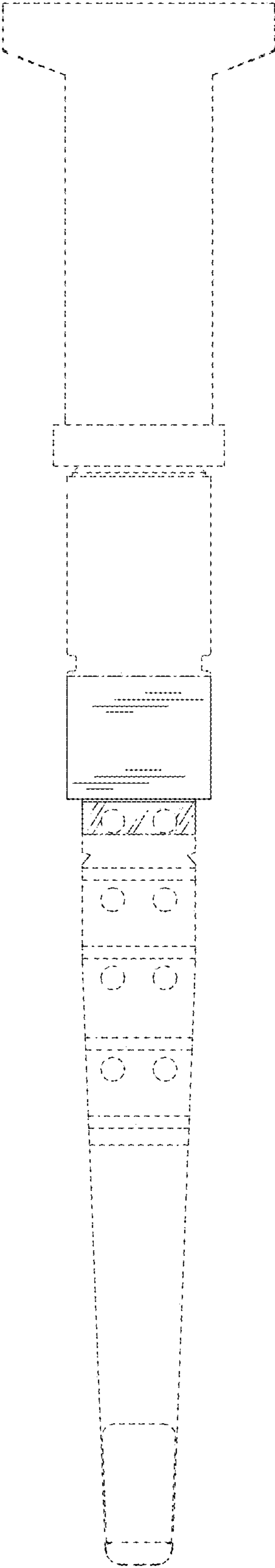


FIG. 3

FIG. 4

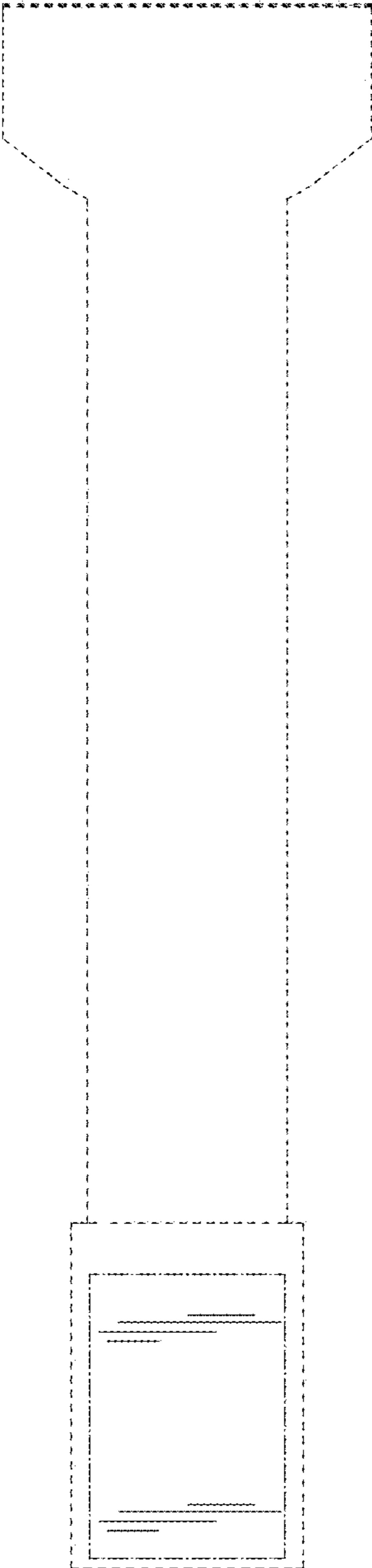
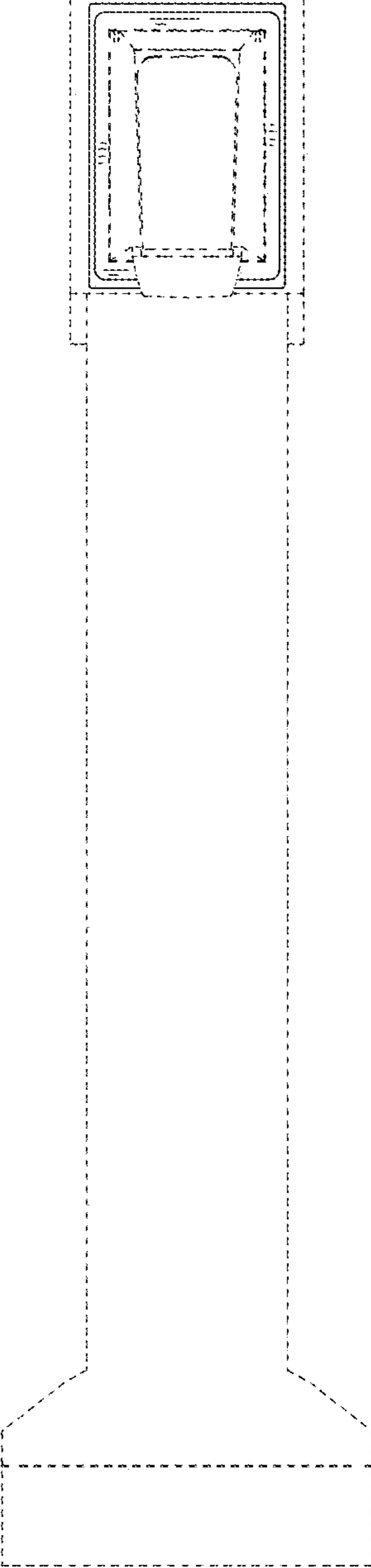


FIG. 5



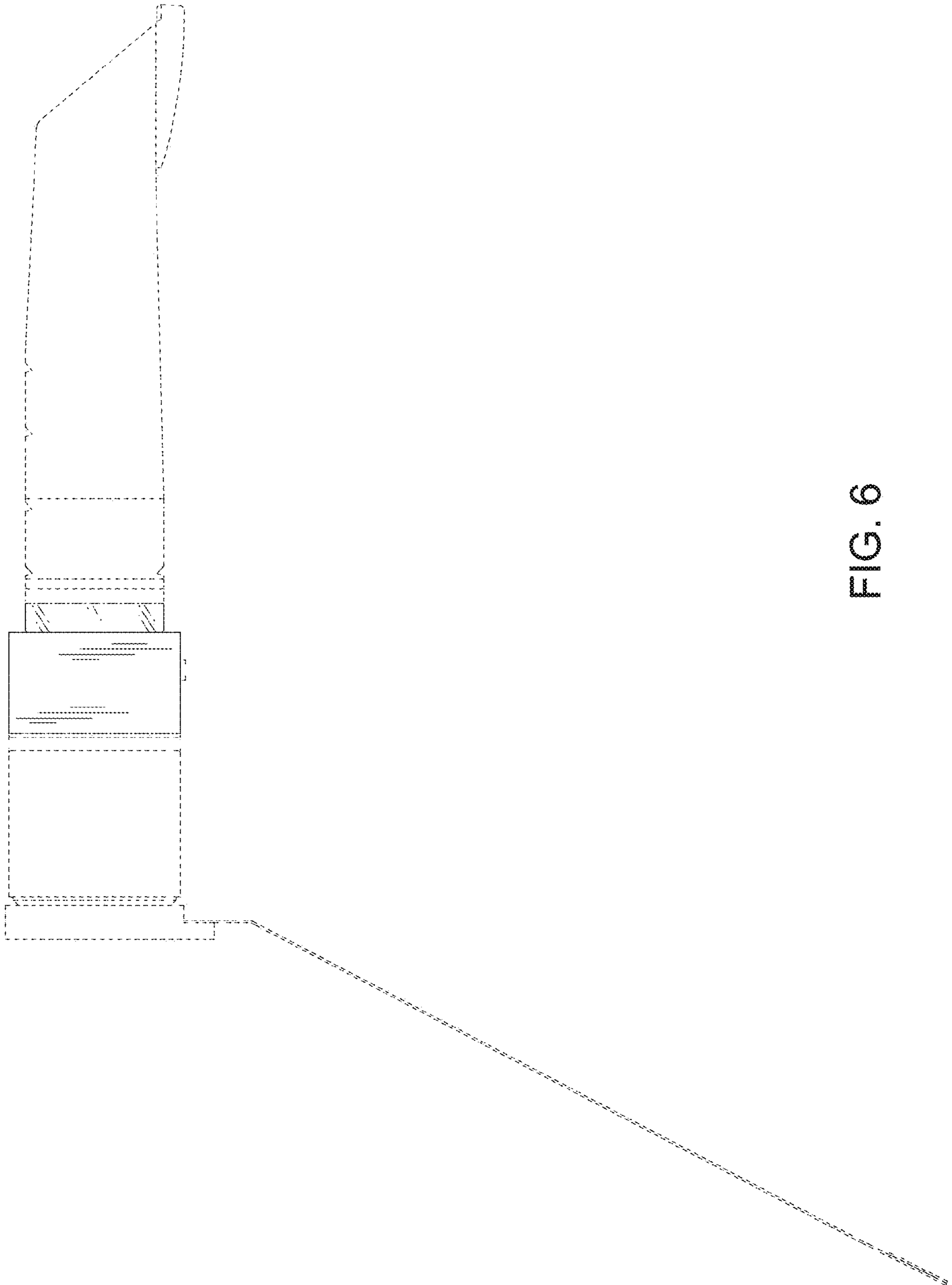


FIG. 6

FIG. 7

