



US00D871401S

(12) **United States Design Patent**
Jerregard et al.

(10) **Patent No.:** **US D871,401 S**

(45) **Date of Patent:** **** Dec. 31, 2019**

(54) **TEACH PENDANT**

(71) Applicant: **ABB Schweiz AG**, Baden (CH)

(72) Inventors: **Henrik Jerregard**, Västerås (SE); **Long Zeng**, Hangzhou (CN); **Tao Zhang**, Shanghai (CN); **Andrew Nelson**, Dallas, TX (US)

(73) Assignee: **ABB Schweiz AG**, Baden (CH)

(**) Term: **15 Years**

(21) Appl. No.: **29/653,976**

(22) Filed: **Jun. 20, 2018**

(30) **Foreign Application Priority Data**

Jan. 16, 2018 (CN) 2018 3 0019458

(51) **LOC (12) Cl.** **14-02**

(52) **U.S. Cl.**
USPC **D14/341**; D14/401

(58) **Field of Classification Search**
USPC D14/341, 336, 338, 339, 340, 300, 302,
D14/307, 356, 358, 388, 389, 390, 420,
D14/421, 496, 129, 168, 188, 197, 198,
D14/299, 328, 218, 401, 414, 415;
D13/110, 123, 162, 162.1, 168; D24/127,
D24/128, 158, 160, 161, 185, 186, 107,
D24/137, 188; D15/199; D10/46, 49,
D10/75; D21/324, 329, 331
CPC B25J 13/06; B25J 13/065; B25J 13/02;
G06F 1/169; H05K 5/061
See application file for complete search history.

(56) **References Cited**

U.S. PATENT DOCUMENTS

D397,325 S * 8/1998 Kawakami D14/339
D414,522 S * 9/1999 Kitamori D21/329
D415,121 S * 10/1999 Uematsu D14/328
D425,942 S * 5/2000 Tomizawa D21/329

D428,448 S * 7/2000 Kitamori D21/329
D428,938 S * 8/2000 Tomizawa D21/329
D436,591 S * 1/2001 Abston D14/341
D436,633 S * 1/2001 Shimoide D21/329
D459,814 S * 7/2002 Lee D24/186
D474,543 S * 5/2003 Lee D24/186

(Continued)

OTHER PUBLICATIONS

Teach pendants. (Design—© Questel) orbit.com. [online PDF] 13 pgs. Print Dates Range Oct. 26, 2018 through May 24, 2019. [Retrieved on Sep. 17, 2019] <https://sobjprd.questel.fr/export/QPTUJ214/pdf2/8f8f0994-0f90-464b-b20b-87b26c68aeae-220721.pdf>.*

(Continued)

Primary Examiner — Marie D. Fast Horse
(74) *Attorney, Agent, or Firm* — Taft Stettinius & Hollister LLP; J. Bruce Schelkopf

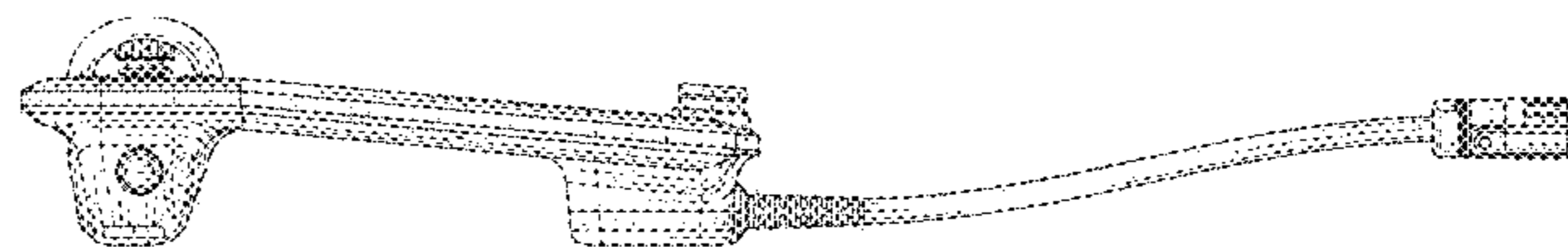
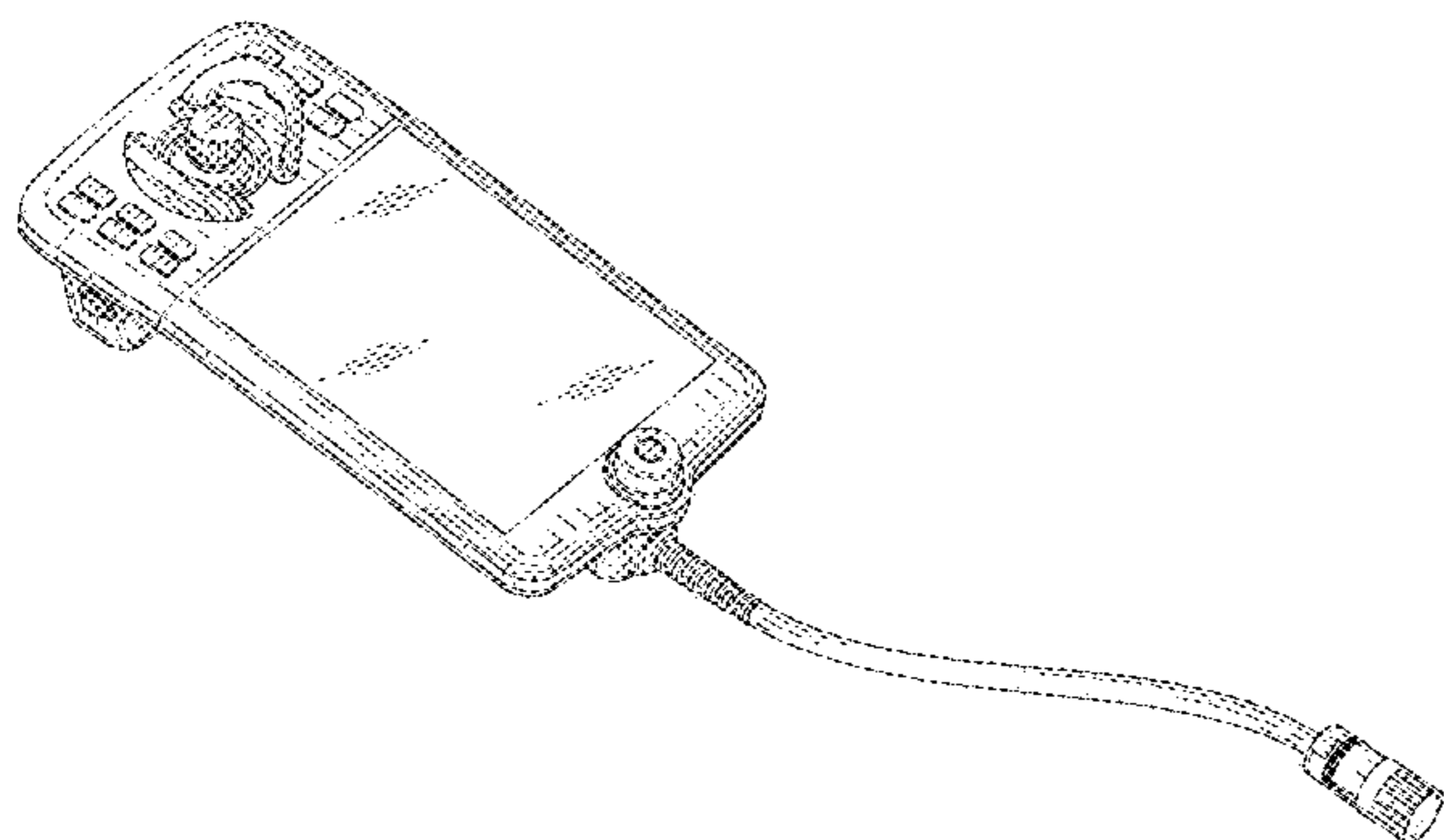
(57) **CLAIM**

The ornamental design for a teach pendant, as shown and described.

DESCRIPTION

FIG. 1 is a perspective view of a teach pendant showing our new design;
FIG. 2 is a front elevation view of the teach pendant shown in FIG. 1;
FIG. 3 is a rear elevation view of the teach pendant shown in FIG. 1;
FIG. 4 is a right side view of the teach pendant shown in FIG. 1;
FIG. 5 is a left side view of the teach pendant shown in FIG. 1;
FIG. 6 is a top plan view of the teach pendant shown in FIG. 1; and,
FIG. 7 is a bottom plan view of the teach pendant shown in FIG. 1.
The broken lines form no part of the claimed design.

1 Claim, 4 Drawing Sheets



(56)

References Cited

U.S. PATENT DOCUMENTS

D478,895 S * 8/2003 Oikawa D14/218
 D480,720 S * 10/2003 Sjoberg D14/341
 D492,282 S * 6/2004 Lachello D14/218
 D541,798 S * 5/2007 Ichida D13/162.1
 D556,759 S * 12/2007 Kawanobe D14/401
 D568,884 S * 5/2008 Kawanobe D14/401
 D573,628 S * 7/2008 Sakamoto D13/164
 D577,724 S * 9/2008 Henne D14/401
 D579,798 S * 11/2008 Kachlick D10/50
 D588,125 S * 3/2009 Choi D14/341
 D592,081 S * 5/2009 Kachlick D10/50
 D611,032 S * 3/2010 Kim D14/188
 D623,214 S * 9/2010 Onoda D16/130
 D635,556 S * 4/2011 Suzuki D14/218
 D644,644 S * 9/2011 Wang D14/415
 D645,040 S * 9/2011 Morton D14/341
 D674,387 S * 1/2013 Avery D14/341
 D692,956 S * 11/2013 Kitamura D21/324
 D700,000 S * 2/2014 Avery D14/341
 D702,770 S * 4/2014 Burris D21/329
 D710,350 S * 8/2014 Steiger D14/341

D717,793 S * 11/2014 Barton D14/341
 D730,847 S * 6/2015 Weiss D13/168
 D735,721 S * 8/2015 Mar D14/401
 D740,288 S * 10/2015 O'Donnell, Sr. D14/401
 D746,811 S * 1/2016 Avery D14/341
 D762,179 S * 7/2016 Wong D13/168
 D763,202 S * 8/2016 Daubenmerkl D13/164
 D766,192 S * 9/2016 Daubenmerkl D13/162
 D779,459 S * 2/2017 Schlossberg D14/218
 D782,472 S * 3/2017 Tanaka D14/341
 D803,837 S * 11/2017 Kumar D14/401
 D825,497 S * 8/2018 Mizushi D13/168
 2011/0096473 A1* 4/2011 Wang H05K 5/061
 361/679.01
 2019/0160655 A1* 5/2019 Uemura G06K 9/00288

OTHER PUBLICATIONS

Notice of Reasons for Refusal issued in corresponding Japanese design application No. 2018-012113, dated Oct. 2, 2018 (4 pp including machine translation).

* cited by examiner

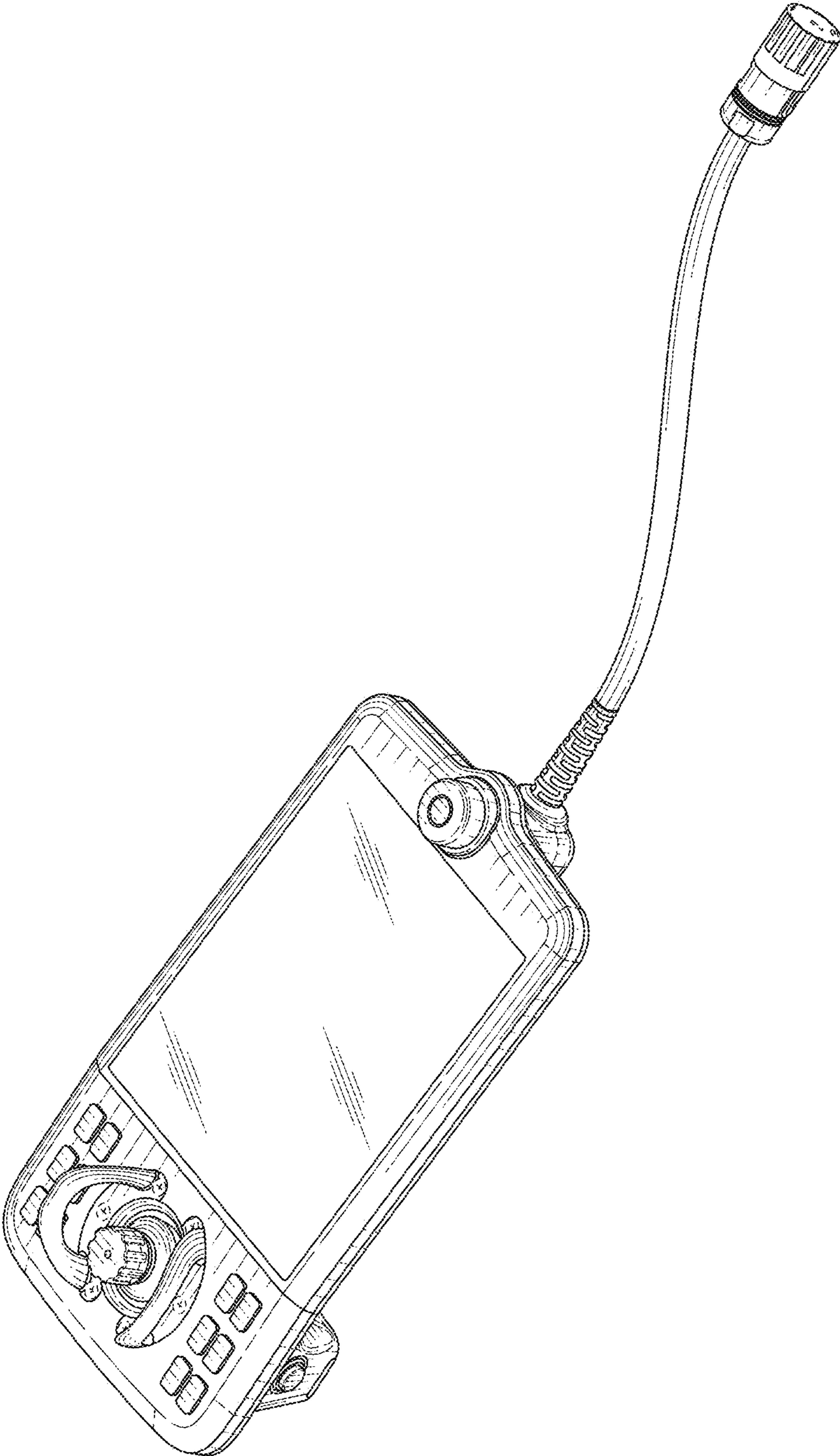


FIG. 1

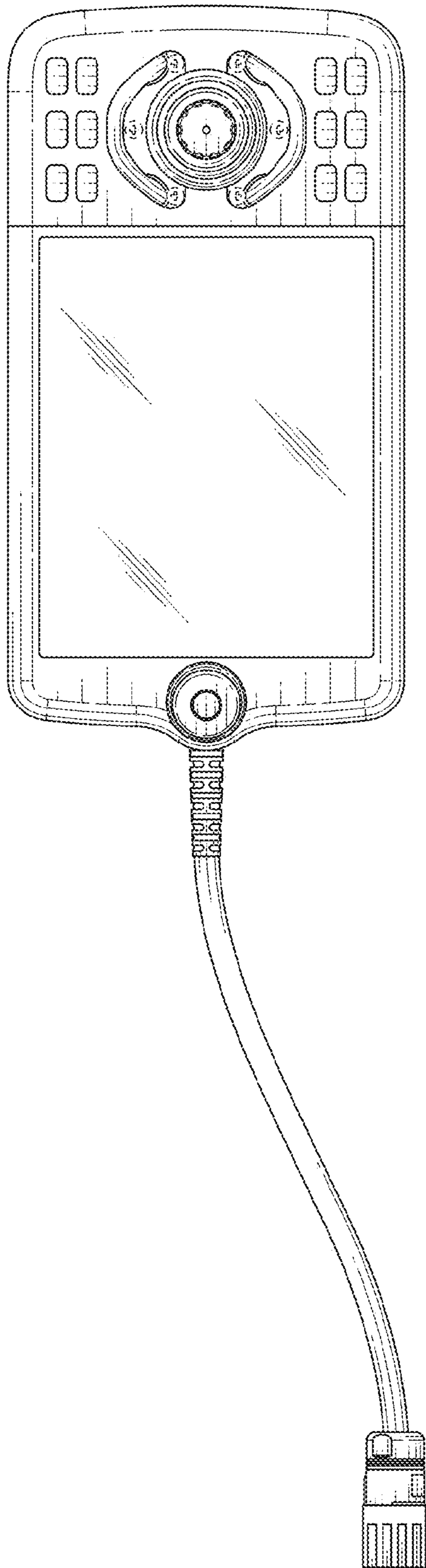


FIG. 2

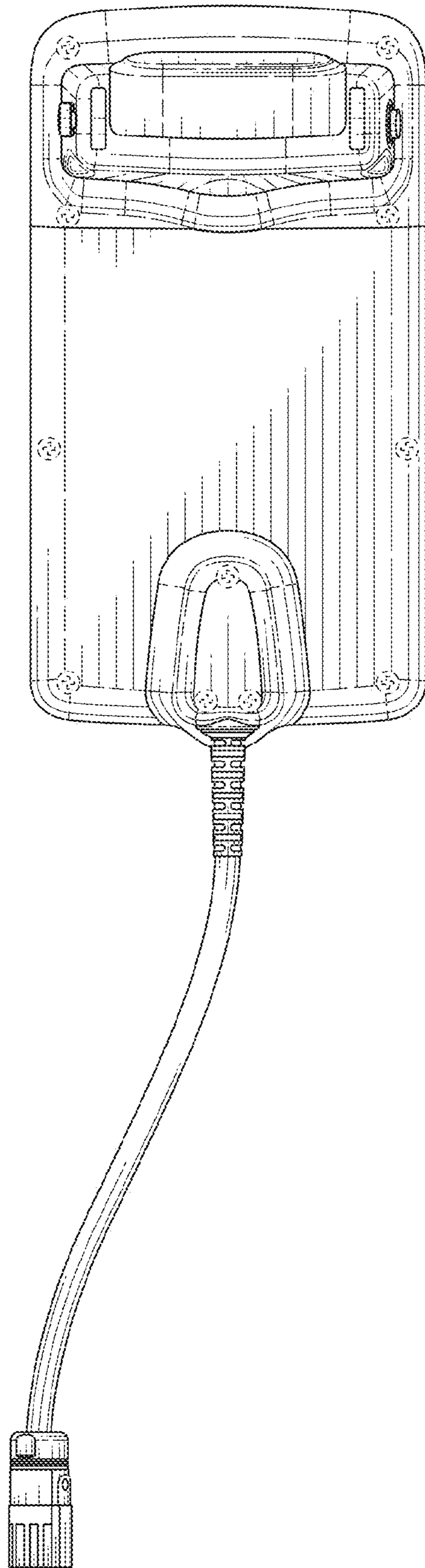


FIG. 3

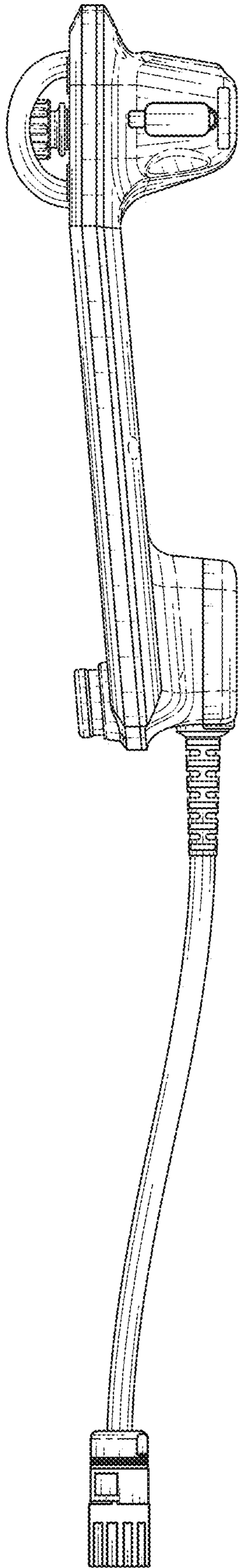


FIG. 4

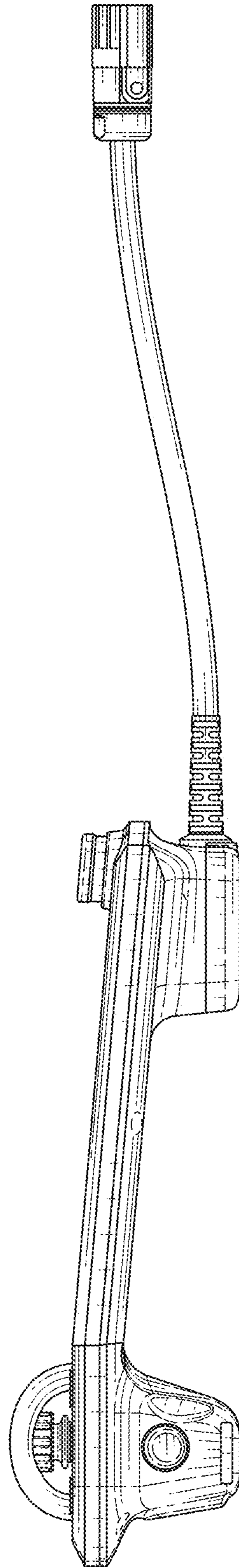


FIG. 5

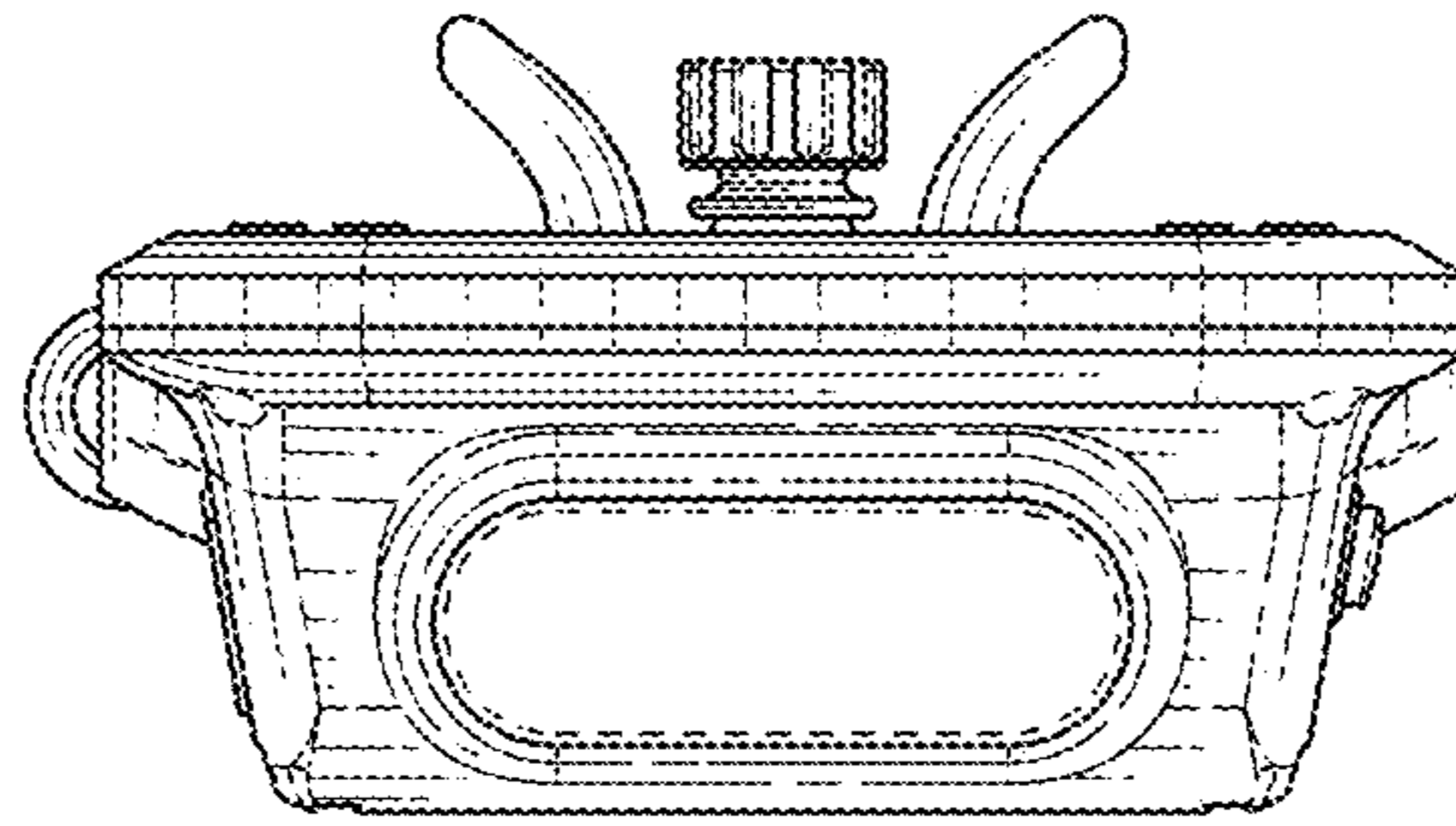


FIG. 6

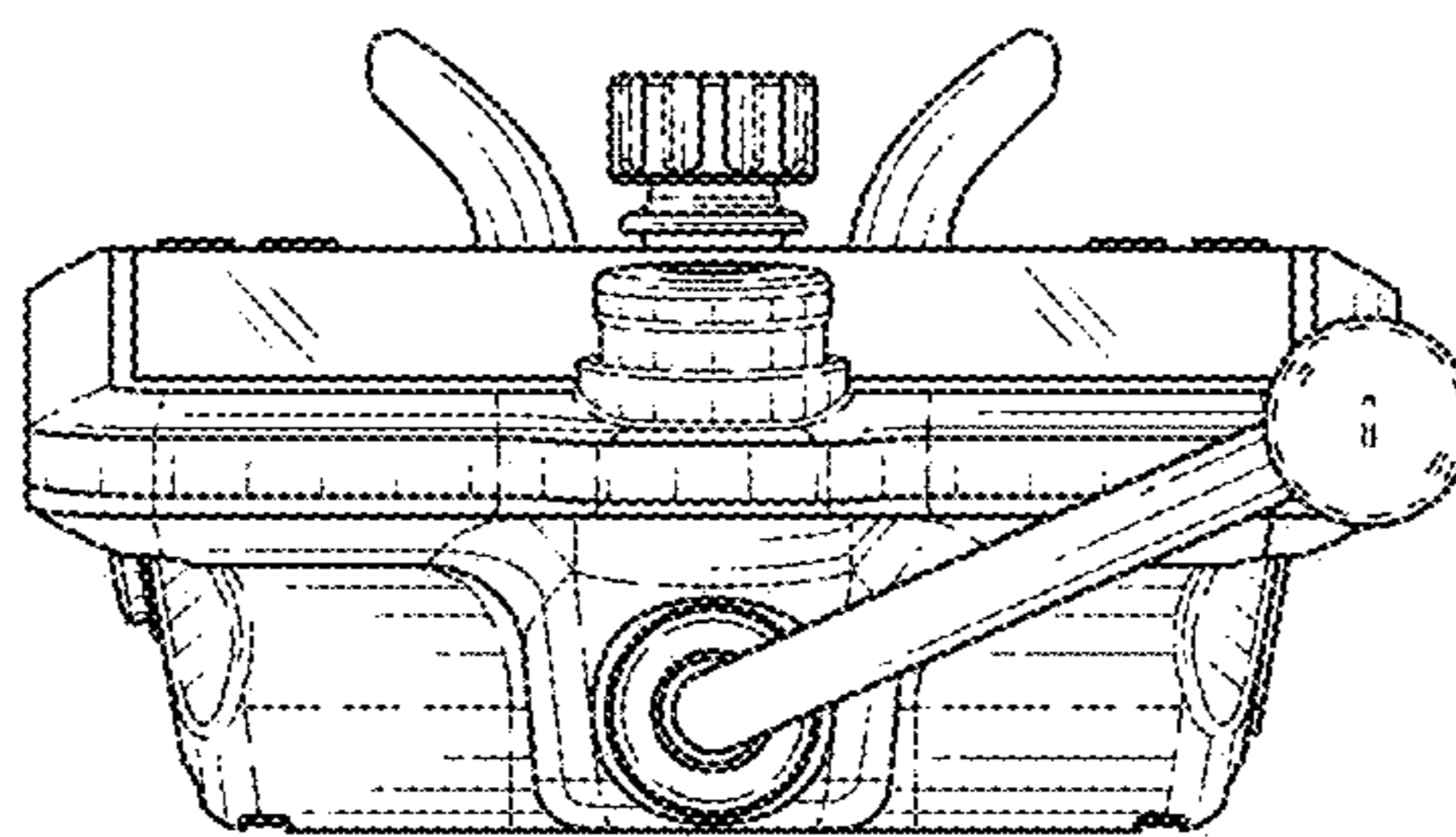


FIG. 7