



US00D871396S

(12) **United States Design Patent**  
**Nakajima et al.**

(10) **Patent No.:** **US D871,396 S**

(45) **Date of Patent:** **\*\* Dec. 31, 2019**

(54) **TABLET COMPUTER**

(71) Applicant: **FUJITSU LIMITED**, Kawasaki-shi (JP)

(72) Inventors: **Kohhei Nakajima**, Kawasaki (JP);  
**Kentaro Ohki**, Shibuya-Ku (JP)

(73) Assignee: **FUJITSU LIMITED**, Kawasaki (JP)

(\*\*) Term: **15 Years**

(21) Appl. No.: **29/598,547**

(22) Filed: **Mar. 27, 2017**

(30) **Foreign Application Priority Data**

Sep. 28, 2016 (JP) ..... 2016-020831

(51) **LOC (12) Cl.** ..... **14-02**

(52) **U.S. Cl.**  
USPC ..... **D14/341**

(58) **Field of Classification Search**

USPC ..... D14/315–318, 341–347, 420, 426, 240,  
D14/129–130, 496, 137, 138 R, 138 AA,  
D14/138 AB, 138 AC, 138 AD, 138 G,  
D14/203.1–203.8, 248, 388–389;  
D6/308, 310; D10/104.1, 50, 65, 74;  
D19/59, 60; D21/324, 329, 332  
CPC ..... G06F 15/00; G06F 17/00; G06F 19/00;  
G06F 3/041; G06F 3/147; G06F 3/1475;  
G06F 3/044

See application file for complete search history.

(56) **References Cited**

**U.S. PATENT DOCUMENTS**

D246,625 S \* 12/1977 Becker, III ..... D8/403  
D431,772 S \* 10/2000 Tsui ..... D8/403  
D442,182 S \* 5/2001 Oross ..... D14/439  
D574,382 S \* 8/2008 Tsukahara ..... D14/315  
D623,651 S \* 9/2010 Hsu ..... D14/218  
D627,780 S \* 11/2010 Kuroda ..... D14/346

D649,964 S \* 12/2011 Chikuma ..... D14/315  
8,403,136 B1 \* 3/2013 Tsai ..... G06F 1/1656  
206/320  
8,469,189 B2 \* 6/2013 Liang ..... G06F 1/1656  
206/320  
D685,361 S \* 7/2013 Goradesky ..... D14/250  
D701,203 S \* 3/2014 Katori ..... D14/341  
D703,665 S \* 4/2014 Suzuki ..... D14/341

(Continued)

**OTHER PUBLICATIONS**

Stylistic® Q508 Hybrid Tablet PC, announced 2018 [online], [retrieved Jun. 6, 2019]. Available from Internet, URL: [https://www.shopfujitsu.com/store/stylistic-q508-hybrid-tablet-pc/wf\\_accessories](https://www.shopfujitsu.com/store/stylistic-q508-hybrid-tablet-pc/wf_accessories).\*

*Primary Examiner* — T Chase Nelson

*Assistant Examiner* — Dana K Weiland

(74) *Attorney, Agent, or Firm* — Oblon, McClelland,  
Maier & Neustadt, L.L.P.

(57) **CLAIM**

The ornamental design for a tablet computer, as shown and described.

**DESCRIPTION**

FIG. 1 is a front elevation view of a tablet computer showing the new design.

FIG. 2 is a rear elevation view thereof.

FIG. 3 is a top plan view thereof.

FIG. 4 is a bottom plan view thereof.

FIG. 5 is a right side elevation view thereof.

FIG. 6 is a left side elevation view thereof.

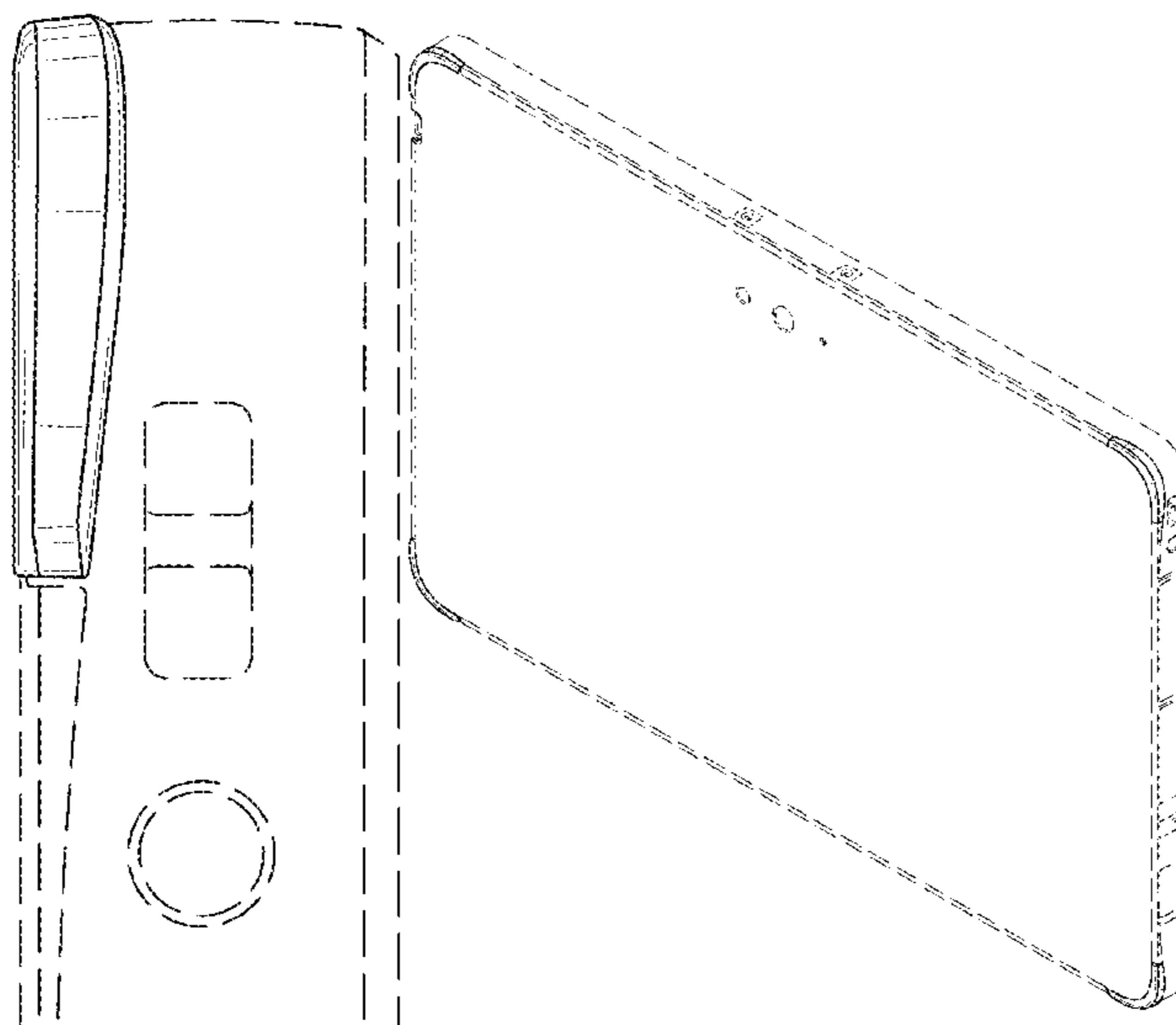
FIG. 7 is an enlarged view of a portion of the tablet computer shown in FIG. 6.

FIG. 8 is a front perspective view of the tablet computer; and,

FIG. 9 is a rear perspective view thereof.

The broken lines shown in the drawings depict portions of the tablet computer that form no part of the claimed design.

**1 Claim, 9 Drawing Sheets**



(56)

**References Cited**

## U.S. PATENT DOCUMENTS

D712,864 S \* 9/2014 Hirota ..... D14/138 G  
D719,565 S \* 12/2014 Hirayama ..... D14/341  
D723,552 S \* 3/2015 Clegg ..... D14/341  
D746,278 S \* 12/2015 Chen ..... D14/341  
D746,283 S \* 12/2015 Cha ..... D14/341  
9,399,316 B2 \* 7/2016 Chang ..... B29C 45/14434  
D767,564 S \* 9/2016 Li ..... D14/341  
D778,272 S \* 2/2017 Kim ..... D14/250  
D779,458 S \* 2/2017 Morita ..... D14/218  
D781,284 S \* 3/2017 Suzuki ..... D14/341  
D781,846 S \* 3/2017 Hasegawa ..... D14/341  
D791,727 S \* 7/2017 Choi ..... D14/138 AA  
D793,383 S \* 8/2017 Cai ..... D14/341  
D798,286 S \* 9/2017 Roberts ..... D14/250  
9,793,646 B2 \* 10/2017 Iwamoto ..... G06F 1/1656  
D807,850 S \* 1/2018 Whang ..... D14/138 G  
D808,374 S \* 1/2018 Lee ..... D14/250  
D810,732 S \* 2/2018 Fenton ..... D14/341  
D811,358 S \* 2/2018 Yamagishi ..... D14/138 G  
D826,931 S \* 8/2018 Chang ..... D14/341  
D844,580 S \* 4/2019 Park ..... D14/138 G  
D845,288 S \* 4/2019 Park ..... D14/248  
D852,799 S \* 7/2019 Fenton ..... D14/440  
2013/0271897 A1 \* 10/2013 Limber ..... H04B 1/3888  
361/679.01  
2014/0252786 A1 \* 9/2014 Singhal ..... G06F 1/1626  
294/137  
2018/0054903 A1 \* 2/2018 Yamamoto ..... H05K 5/0217

\* cited by examiner

FIG. 1



FIG. 2



FIG. 3



FIG. 4

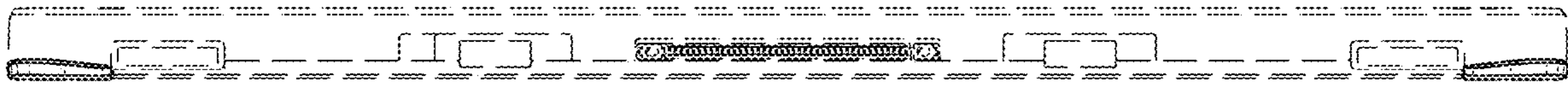


FIG. 5

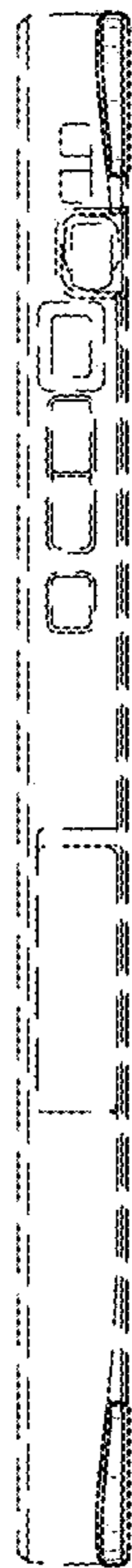


FIG. 6

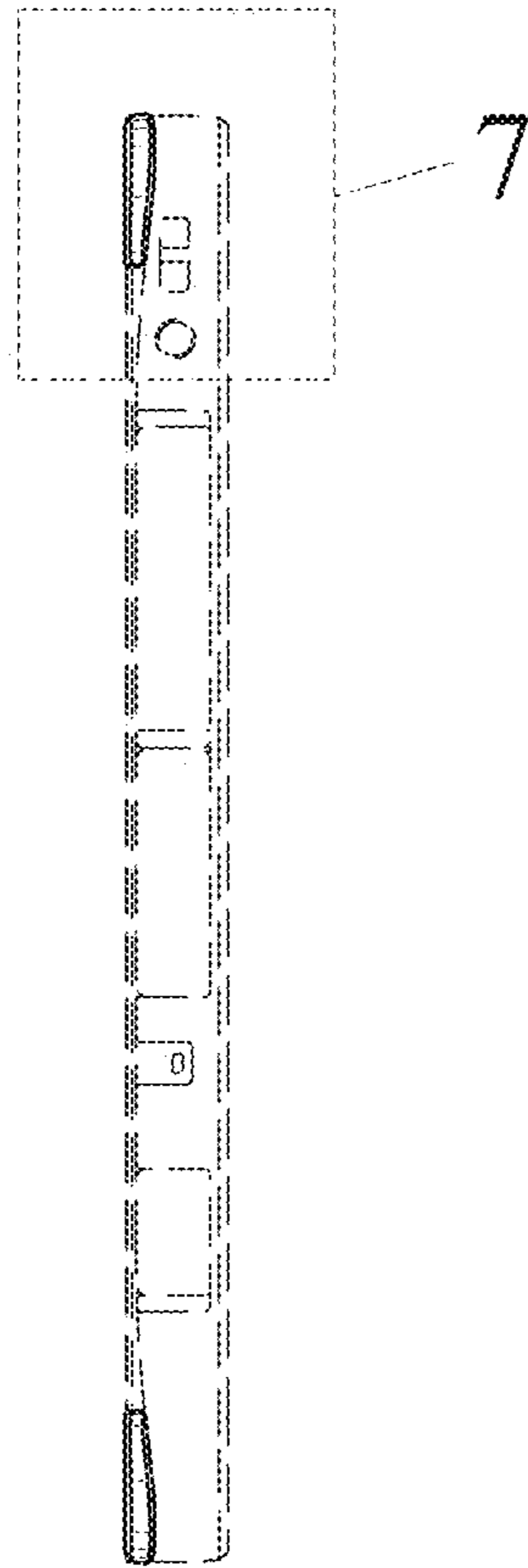




FIG. 7

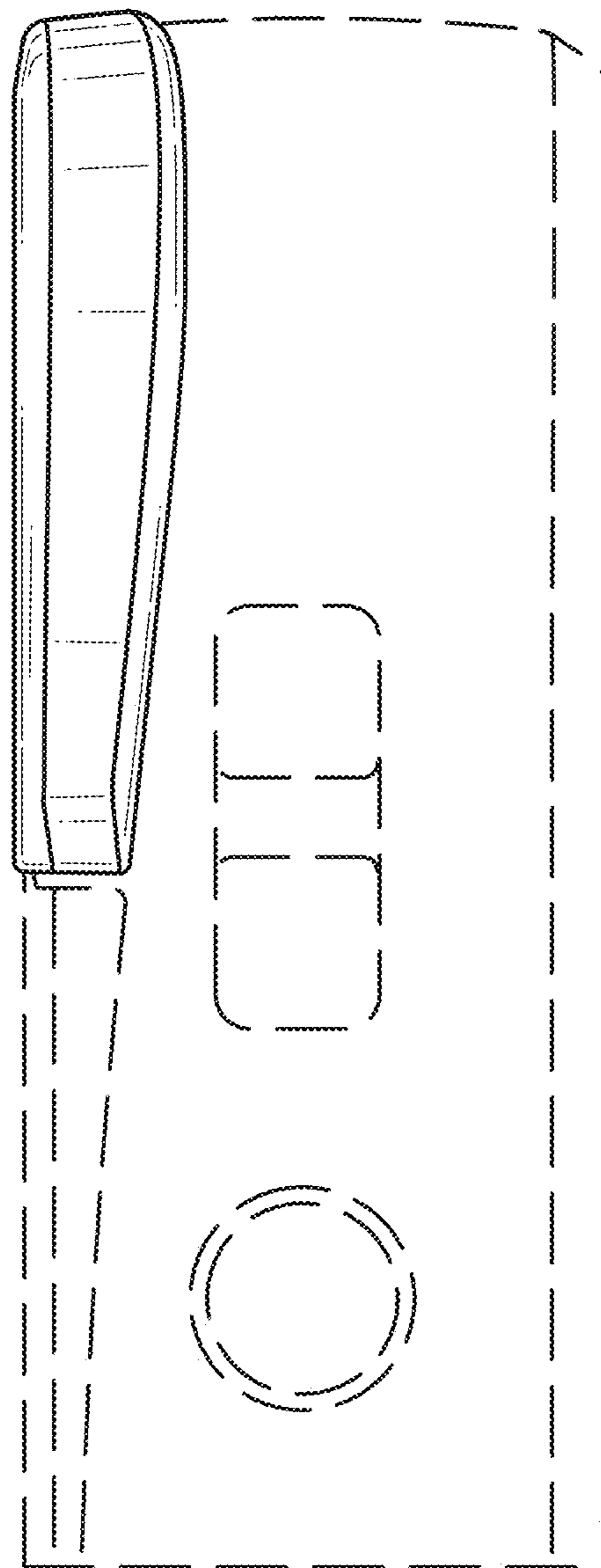


FIG. 8

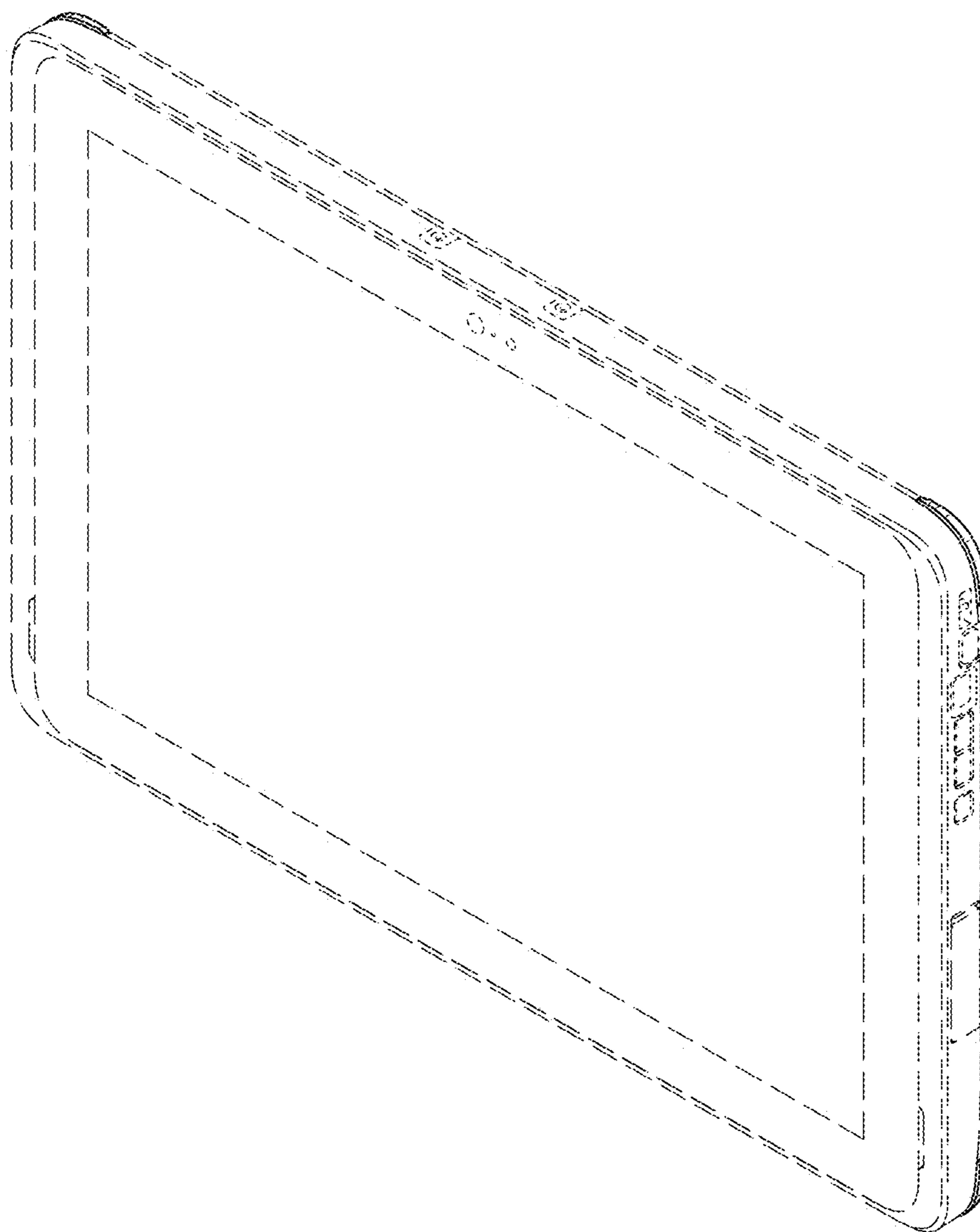


FIG. 9

