



US00D871395S

(12) **United States Design Patent**
Yang et al.

(10) **Patent No.: US D871,395 S**

(45) **Date of Patent: ** Dec. 31, 2019**

(54) **COMPUTER WITH MONITOR**

(71) Applicant: **LG ELECTRONICS INC.**, Seoul (KR)

(72) Inventors: **Heesu Yang**, Seoul (KR); **Junghan Ryu**, Seoul (KR); **Gangho Woo**, Seoul (KR); **Yoonyoung Cho**, Seoul (KR)

(73) Assignee: **LG ELECTRONICS INC.**, Seoul (KR)

(**) Term: **15 Years**

(21) Appl. No.: **35/506,270**

(22) Filed: **Jul. 4, 2018**

(80) **Hague Agreement Data**

Int. Filing Date: **Jul. 4, 2018**

Int. Reg. No.: **DM/102608**

Int. Reg. Date: **Jul. 4, 2018**

Int. Reg. Pub. Date: **Jan. 4, 2019**

(30) **Foreign Application Priority Data**

Jan. 11, 2018 (KR) 30-2018-0001733

(51) **LOC (12) Cl.** **14-02**

(52) **U.S. Cl.**
USPC **D14/336**

(58) **Field of Classification Search**

USPC D14/336, 371, 374-376, 377

CPC H05K 5/0017; H05K 5/0204

See application file for complete search history.

(56) **References Cited**

U.S. PATENT DOCUMENTS

D540,795 S *	4/2007	Takahashi	D14/317
D664,541 S *	7/2012	Kim	D14/374
D797,736 S *	9/2017	Chu	D14/374
D806,068 S *	12/2017	Liu	D14/336
D821,395 S *	6/2018	Thetard	D14/374
D835,096 S *	12/2018	Woo	D14/336
D857,695 S *	8/2019	Kim	D14/374

* cited by examiner

Primary Examiner — Michael A. Pratt

(74) *Attorney, Agent, or Firm* — Birch, Stewart, Kolasch & Birch, LLP

(57) **CLAIM**

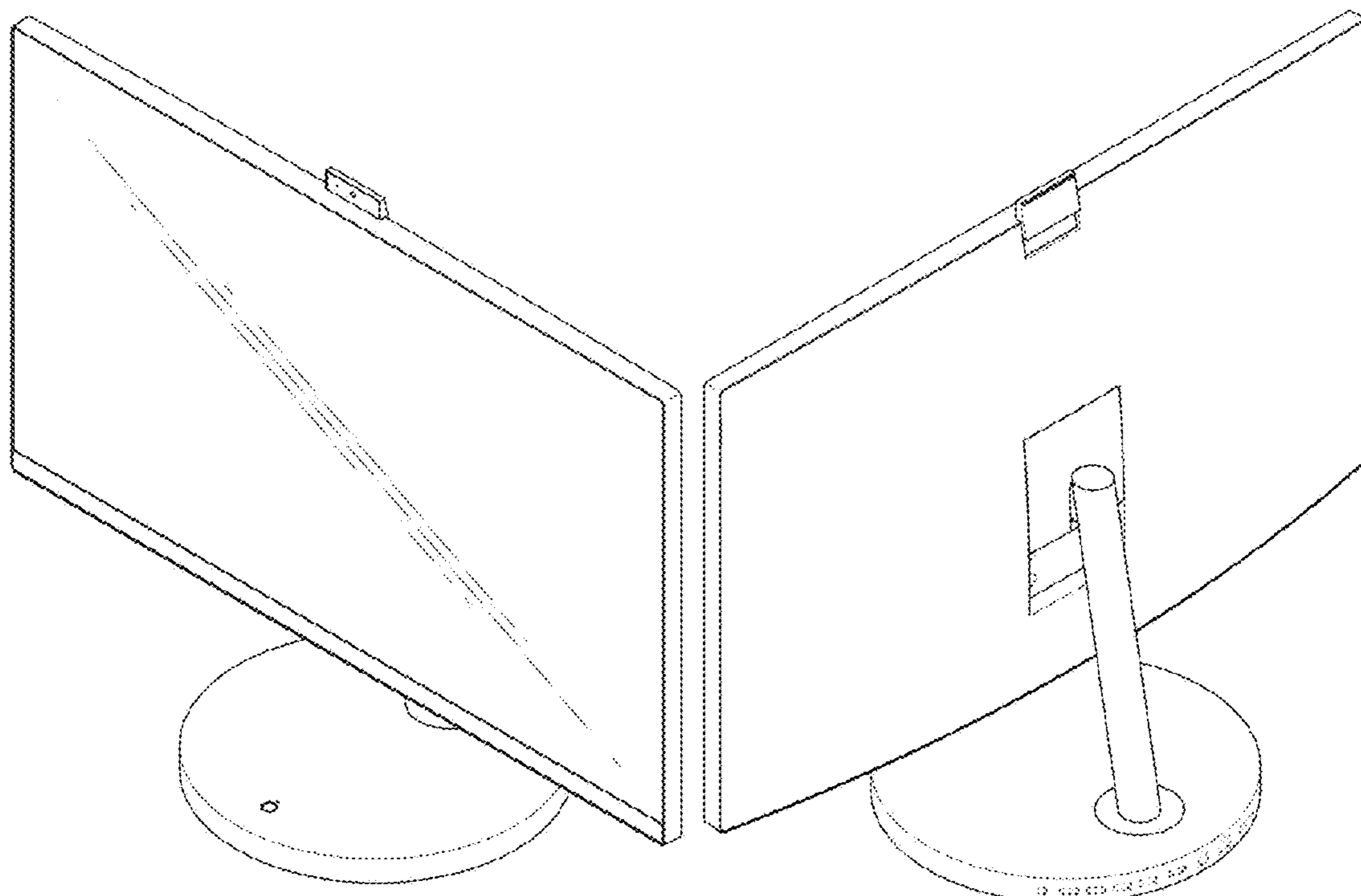
The ornamental design for computer with monitor, as shown and described.

DESCRIPTION

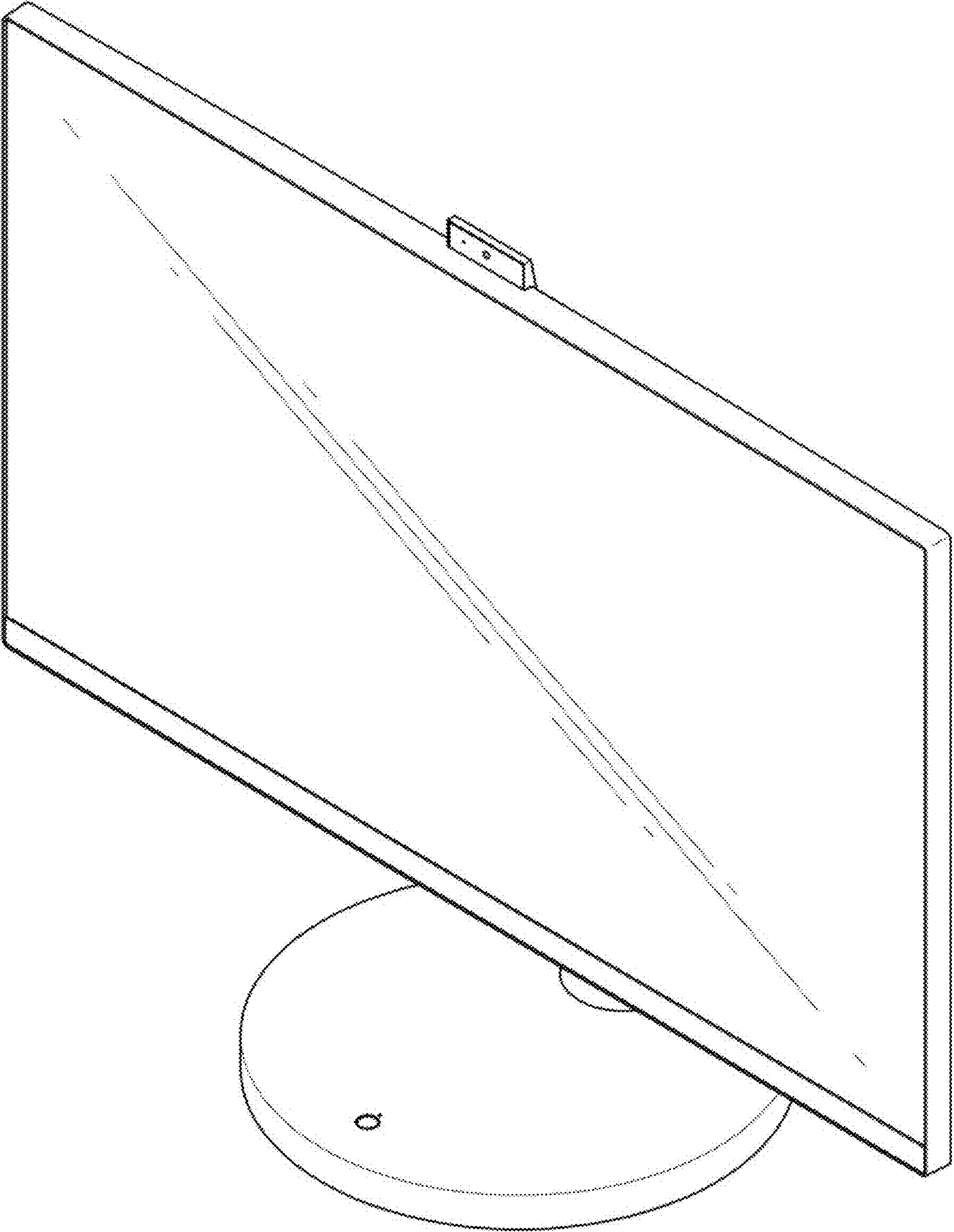
1. Computer with monitor
- 1.1 : Perspective
- 1.2 : Rear perspective view
- 1.3 : Front
- 1.4 : Back
- 1.5 : Left
- 1.6 : Right
- 1.7 : Top
- 1.8 : Bottom

The broken lines indicate unclaimed portion of the article that form no part of the claimed design.

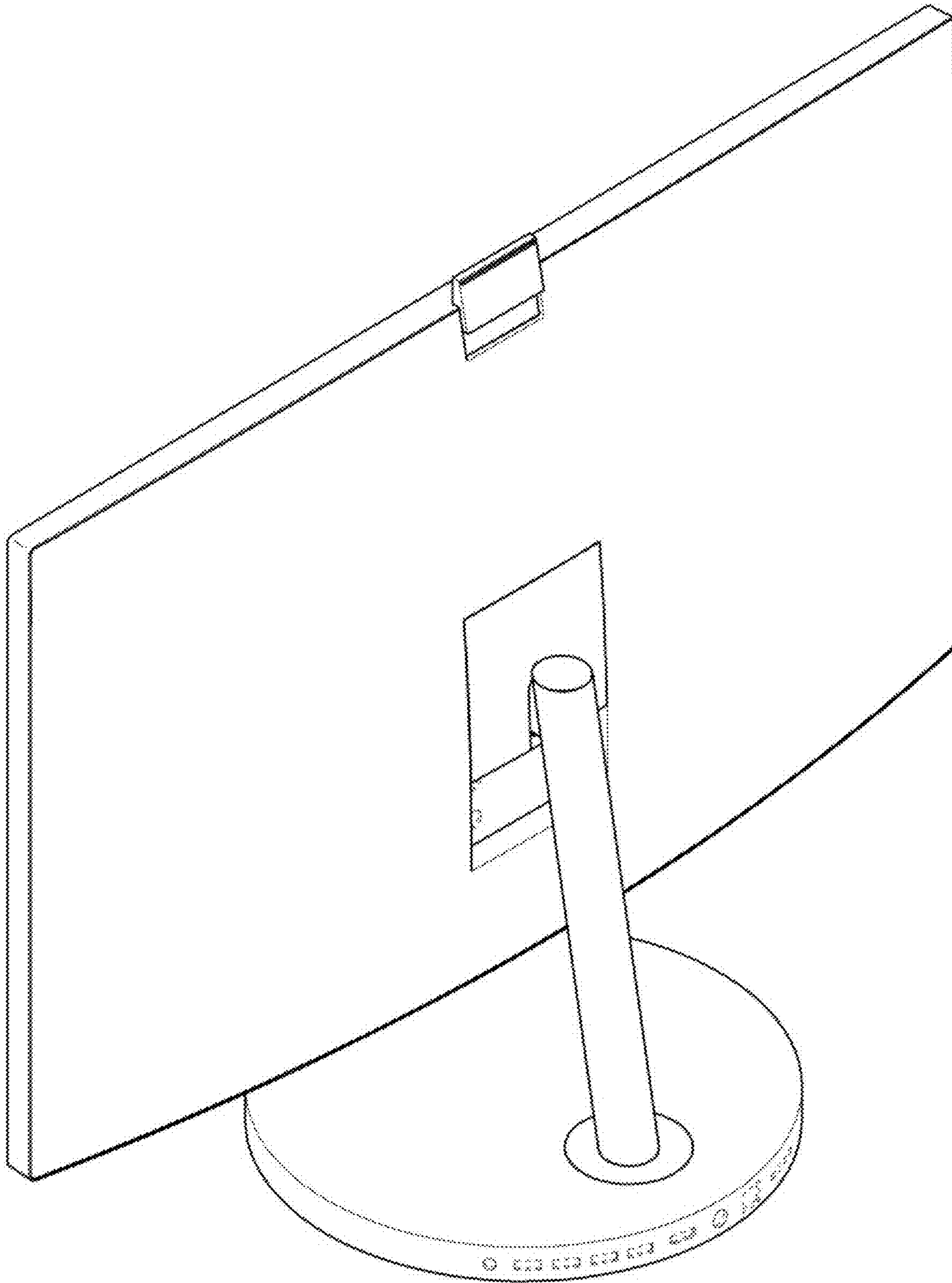
1 Claim, 8 Drawing Sheets



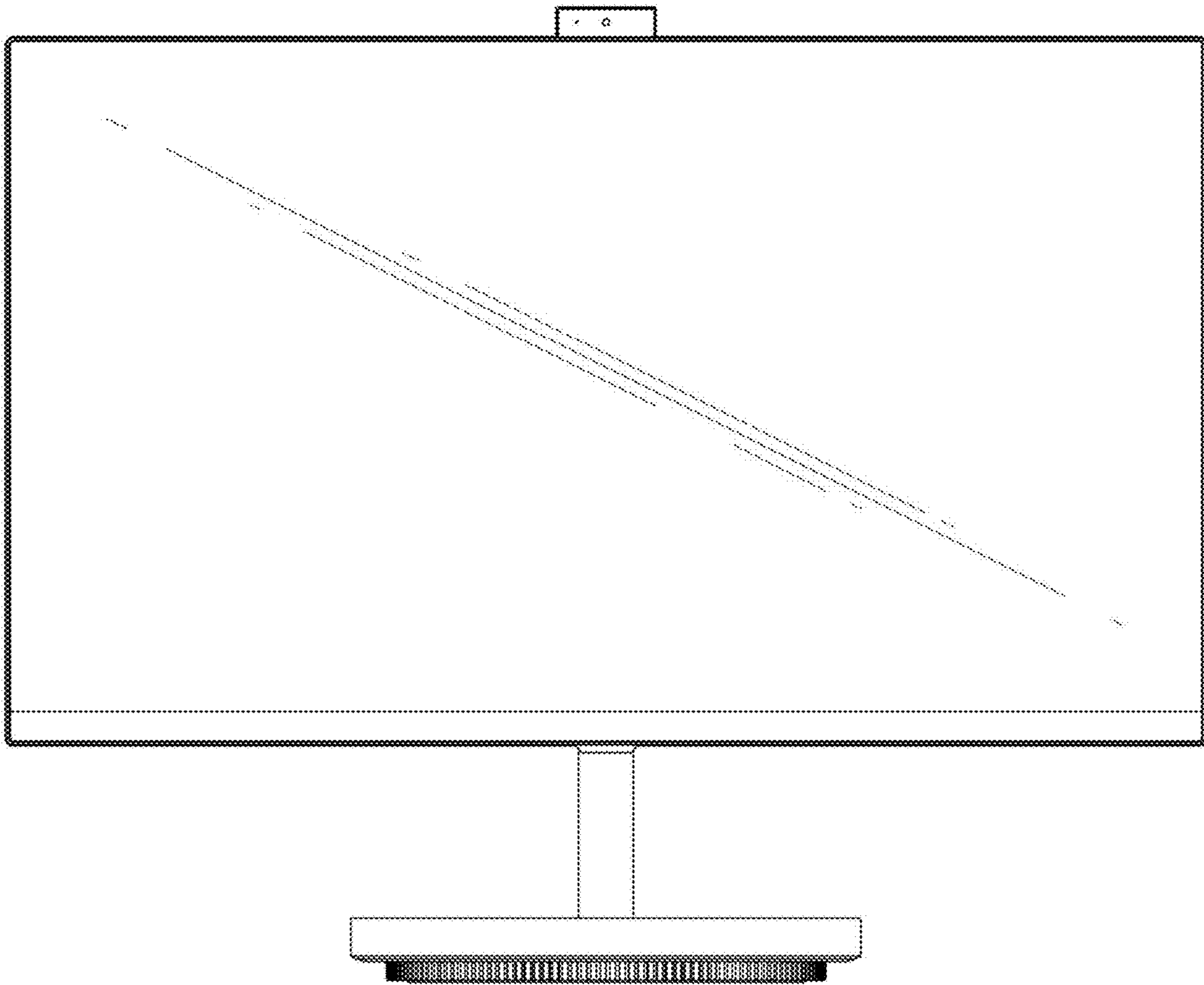
1.1



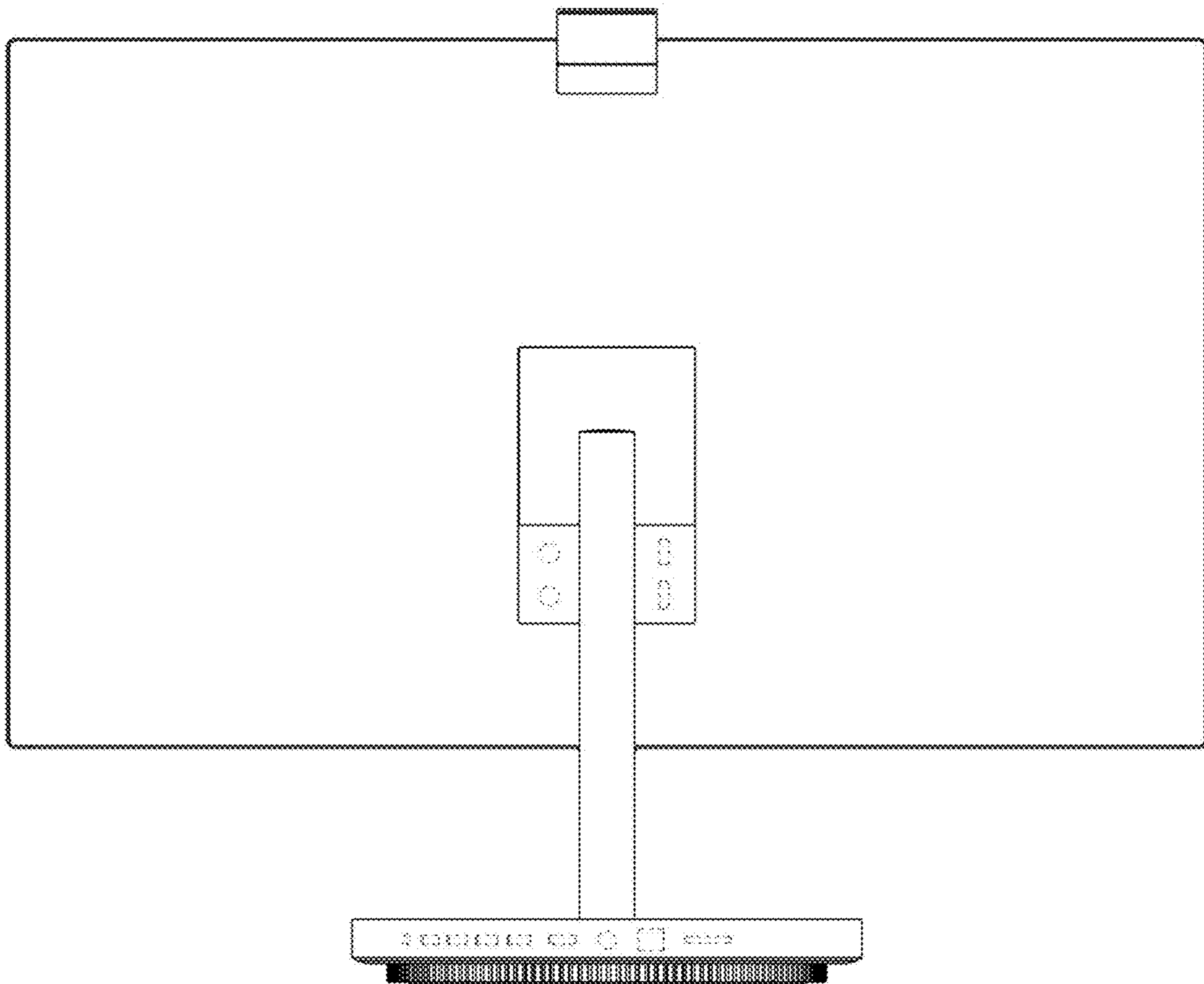
1.2



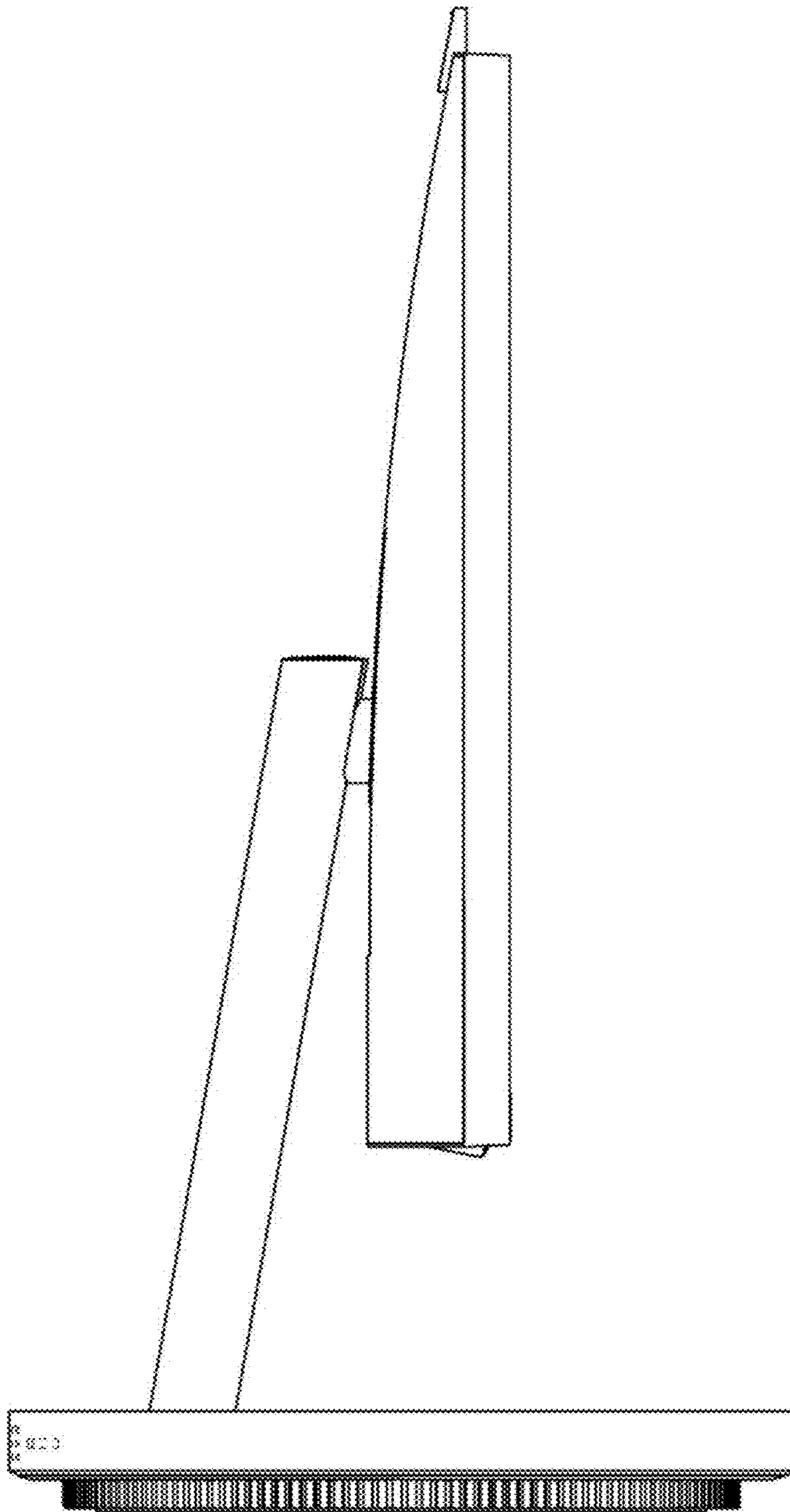
1.3



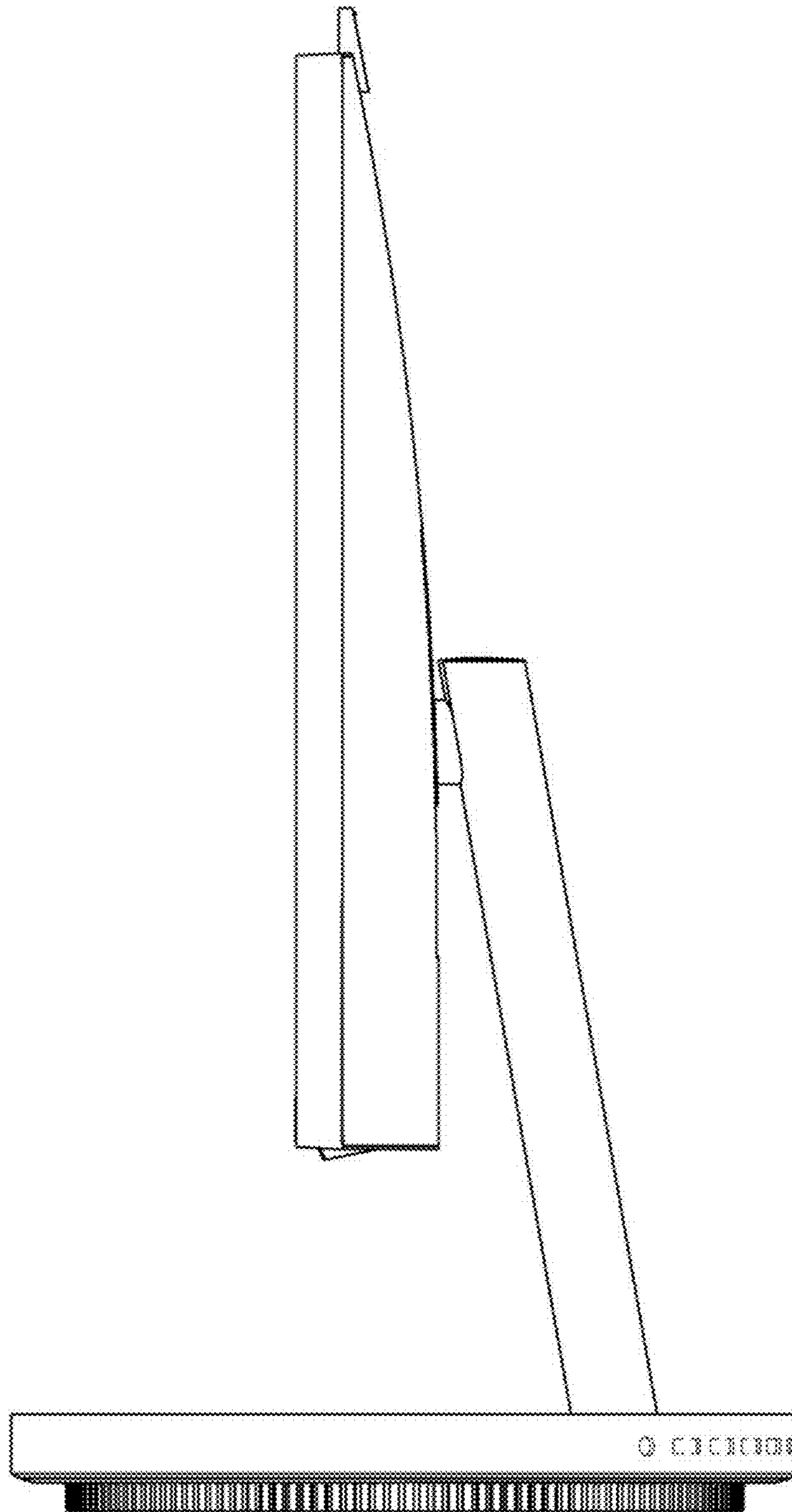
1.4



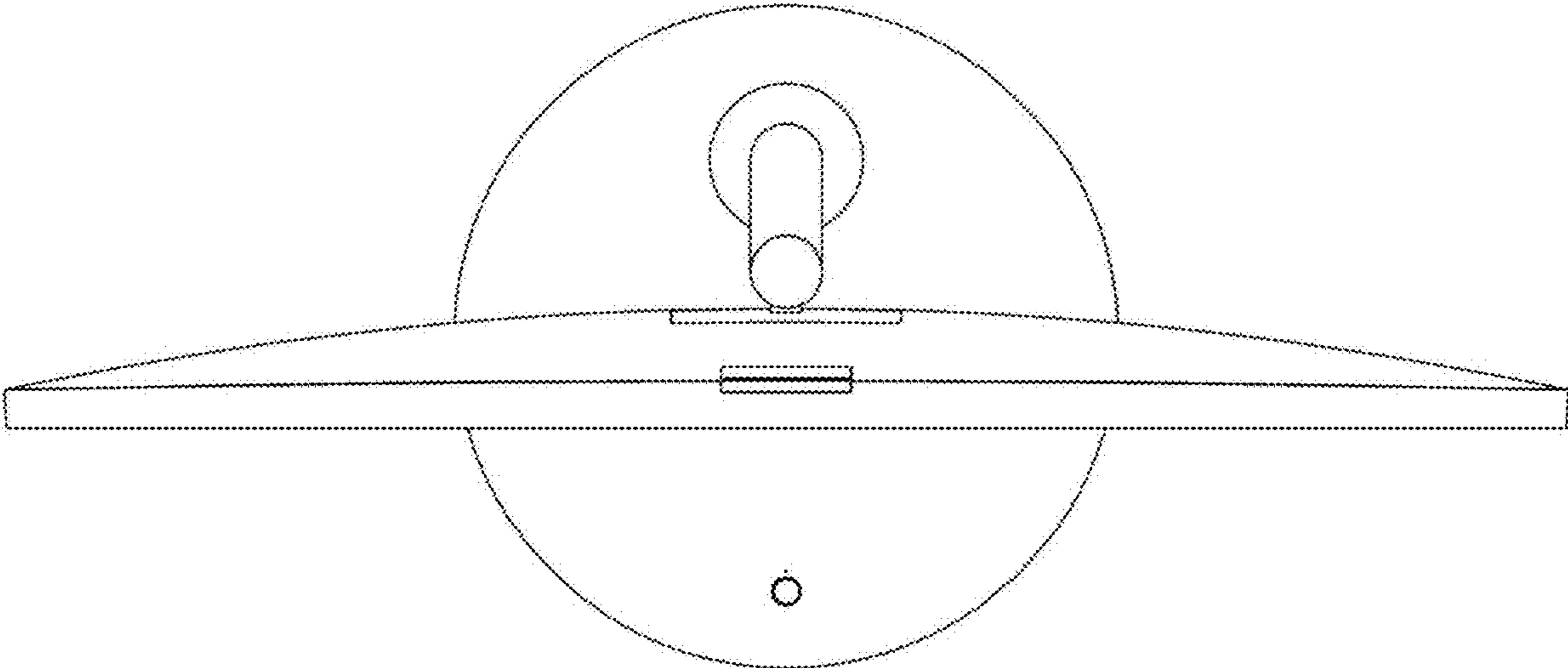
1.5



1.6



1.7



1.8

