



US00D871393S

(12) **United States Design Patent**  
**Moon**

(10) **Patent No.:** **US D871,393 S**

(45) **Date of Patent:** **\*\* \*Dec. 31, 2019**

(54) **LAPTOP COMPUTER**

(71) Applicant: **HEWLETT-PACKARD  
DEVELOPMENT COMPANY, L.P.,  
Houston, TX (US)**

(72) Inventor: **Philip Moon, Houston, TX (US)**

(73) Assignee: **Hewlett-Packard Development  
Company, L.P., Spring, TX (US)**

(\* ) Notice: This patent is subject to a terminal disclaimer.

(\*\*) Term: **15 Years**

(21) Appl. No.: **29/642,976**

(22) Filed: **Apr. 3, 2018**

(51) **LOC (12) Cl.** ..... **14-02**

(52) **U.S. Cl.**  
USPC ..... **D14/327; D14/331**

(58) **Field of Classification Search**  
USPC ..... D14/315-327, 331, 333-337, 439,  
D14/440-441, 444, 448, 450; D18/1-2,  
D18/7, 11, 12.2-12.3  
CPC .... G06F 1/1601; G06F 1/1613; G06F 1/1615;  
G06F 1/1616; G06F 1/1633; G06F  
1/1643; G06F 1/1652; G06F 1/1654;  
G06F 1/1669; G06F 1/1681; G06F  
1/1688; G06F 1/203; H05K 5/0004;  
H05K 5/0017; H05K 5/0021; H05K  
5/0043; H05K 5/0047; H05K 5/0052  
See application file for complete search history.

(56) **References Cited**

**U.S. PATENT DOCUMENTS**

D461,470 S *	8/2002	Kawa .....	D14/318
D665,800 S *	8/2012	Hsu .....	D14/327
D683,344 S *	5/2013	Kao .....	D14/318
D706,259 S *	6/2014	Myung .....	D14/315
D720,741 S *	1/2015	Leonard .....	D14/315
D720,742 S *	1/2015	Leonard .....	D14/315

D734,323 S *	7/2015	Takizawa .....	D14/316
D746,809 S *	1/2016	Takada .....	D14/327
D766,233 S *	9/2016	Lam .....	D14/315

(Continued)

**OTHER PUBLICATIONS**

Vogel, Sandra, Asus B9440UA review, posted at ZDNet, posting date May 19, 2017. Site visited Jun. 5, 2019. URL: <<https://www.zdnet.com/product/asuspro-b9440ua/>> (Year: 2017).\*

(Continued)

*Primary Examiner* — Kevin K Rudzinski

*Assistant Examiner* — Kathleen L Jones

(74) *Attorney, Agent, or Firm* — HPI Patent Department

(57) **CLAIM**

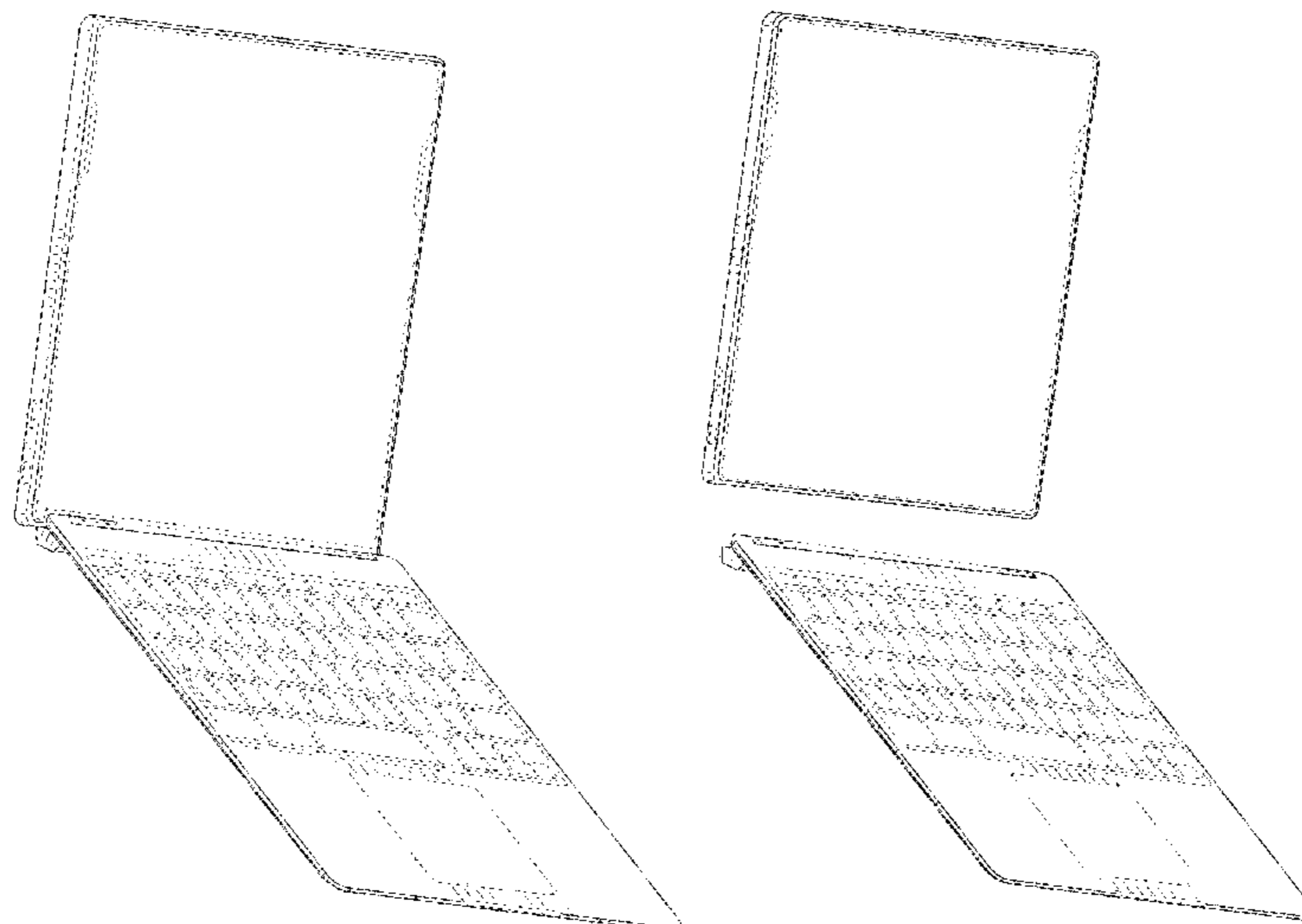
I claim the ornamental design for a laptop computer, as shown and described.

**DESCRIPTION**

FIG. 1 is a front, top, left perspective view of the claimed design in a first configuration;  
FIG. 2 is a top plan view thereof;  
FIG. 3 is a bottom plan view thereof;  
FIG. 4 a right side elevation view thereof;  
FIG. 5 is a left side elevation view thereof;  
FIG. 6 is a rear elevation view thereof; and  
FIG. 7 is a front elevation view thereof;  
FIG. 8 is a front, top, left perspective view of the claimed design in a second configuration;  
FIG. 9 is a top plan view thereof;  
FIG. 10 is a bottom plan view thereof;  
FIG. 11 a right side elevation view thereof;  
FIG. 12 is a left side elevation view thereof;  
FIG. 13 is a rear elevation view thereof; and,  
FIG. 14 is a front elevation view thereof.

The broken lines showing portions of the laptop computer are included for the purpose of illustrating portions of the article and form no part of the claimed design.

**1 Claim, 14 Drawing Sheets**



(56)

References Cited

U.S. PATENT DOCUMENTS

9,489,054 B1 \* 11/2016 Sumsion ..... G06F 3/0208  
 D789,353 S \* 6/2017 Sakatsume ..... D14/315  
 D789,356 S \* 6/2017 Cebe ..... D14/315  
 D802,583 S \* 11/2017 Oakley ..... D14/315  
 D804,466 S \* 12/2017 Okuley ..... D14/315  
 D807,342 S \* 1/2018 Chang ..... D14/315  
 D807,345 S \* 1/2018 Senatori ..... D14/316  
 D813,860 S \* 3/2018 Doczy ..... D14/315  
 D821,387 S \* 6/2018 Wang ..... D14/315  
 D829,707 S \* 10/2018 Tin ..... D14/315  
 D837,202 S \* 1/2019 Lee ..... D14/315  
 D838,714 S \* 1/2019 Lin ..... D14/318  
 10,203,729 B1 \* 2/2019 Chen ..... G06F 1/1654  
 10,254,794 B1 \* 4/2019 Wu ..... G06F 1/1641  
 10,303,216 B1 \* 5/2019 Powell ..... G06F 1/1654  
 2011/0267757 A1 \* 11/2011 Probst ..... G06F 1/1616  
 361/679.09  
 2012/0106078 A1 \* 5/2012 Probst ..... G06F 1/1616  
 361/679.56  
 2013/0170126 A1 \* 7/2013 Lee ..... G06F 1/1654  
 361/679.17  
 2013/0322011 A1 \* 12/2013 Yeh ..... G06F 1/181  
 361/679.44  
 2014/0048393 A1 \* 2/2014 Wu ..... H01H 21/18  
 200/61.39  
 2015/0043155 A1 \* 2/2015 Liang ..... G06F 1/1632  
 361/679.43

2016/0054761 A1 \* 2/2016 Wolff ..... E05D 7/10  
 361/679.09  
 2016/0062484 A1 \* 3/2016 Sugiura ..... G06F 3/0202  
 345/156  
 2017/0192478 A1 \* 7/2017 Mercer ..... G06F 1/28  
 2017/0269638 A1 \* 9/2017 Chen ..... G06F 1/1616  
 2019/0129546 A1 \* 5/2019 Lee ..... G06F 3/0412

OTHER PUBLICATIONS

Vogel, Sandra, Dell Latitude 11 5179 Review, posted at ZDNet, posting date Sep. 20, 2016. Site visited Jun. 5, 2019. URL: <<https://www.zdnet.com/product/dell-latitude-11-5000/>> (Year: 2016).\*

Molck, Sascha, HP Split x2 13-m210eg Convertible Review, posted at NotebookCheck, posting date Sep. 13, 2014. Site visited Jun. 5, 2019. URL: <<https://www.notebookcheck.net/HP-Split-x2-13-m210eg-Convertible-Review.125829.0.html>> (Year: 2014).\*

Rahman, Mishaal, HP Chromebook X2 is the first Detachable Chromebook with Linux app support, posted at XDA Developers, posting date Jun. 14, 2018. Site visited May 21, 2019. URL: <<https://www.xda-developers.com/hp-chromebook-x2-linux-app-support/>> (Year: 2018).\*

Martindale, Jon, HP readies new Pavilion x2 and Envy laptops for Windows 10, posted at Digital Trends, posting date Jun. 18, 2015. Site visited Jun. 5, 2019. URL: <<https://www.digitaltrends.com/computing/hp-pavilion-x2-envy-laptop/>> (Year: 2015).\*

\* cited by examiner

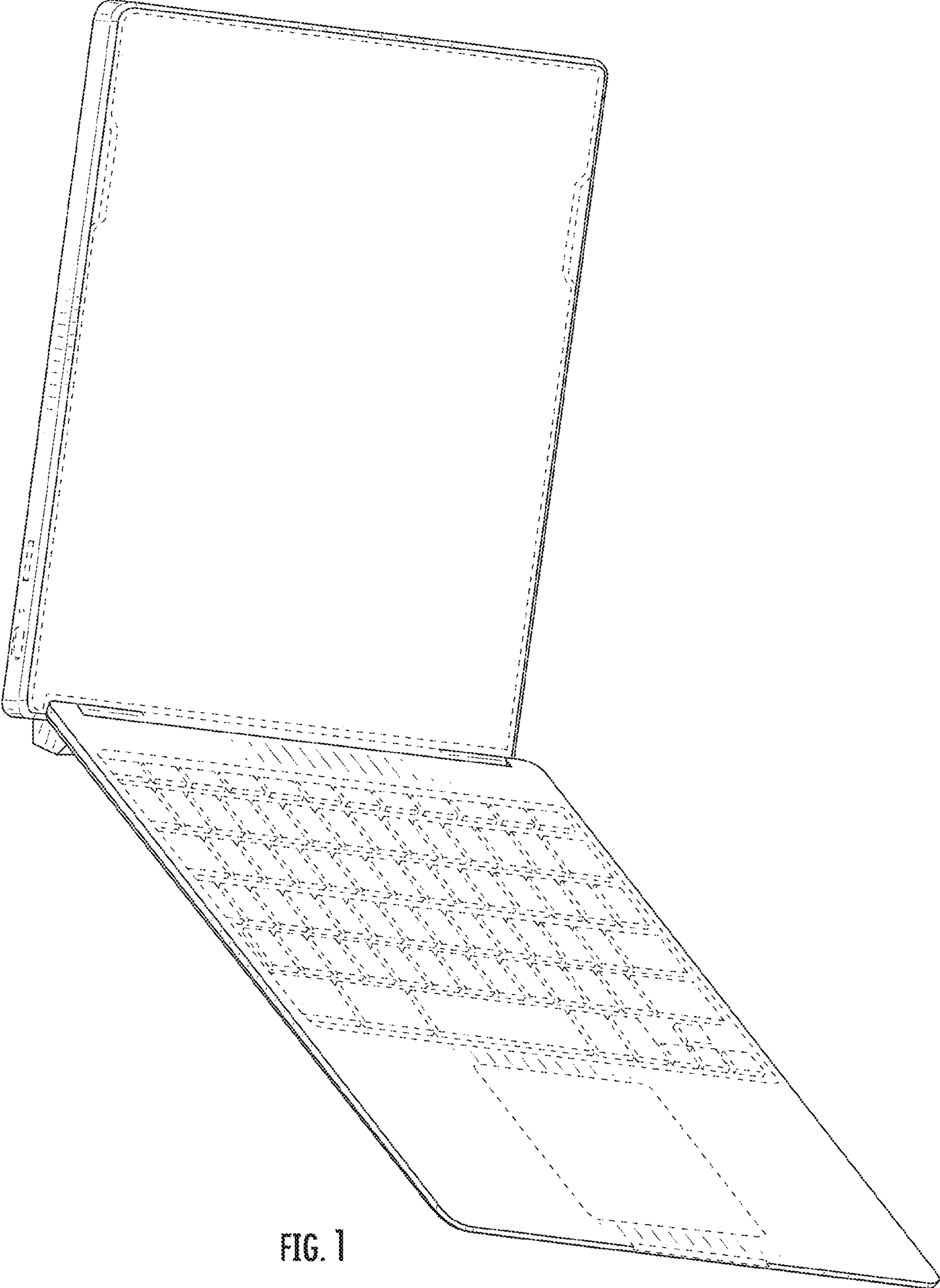


FIG. 1



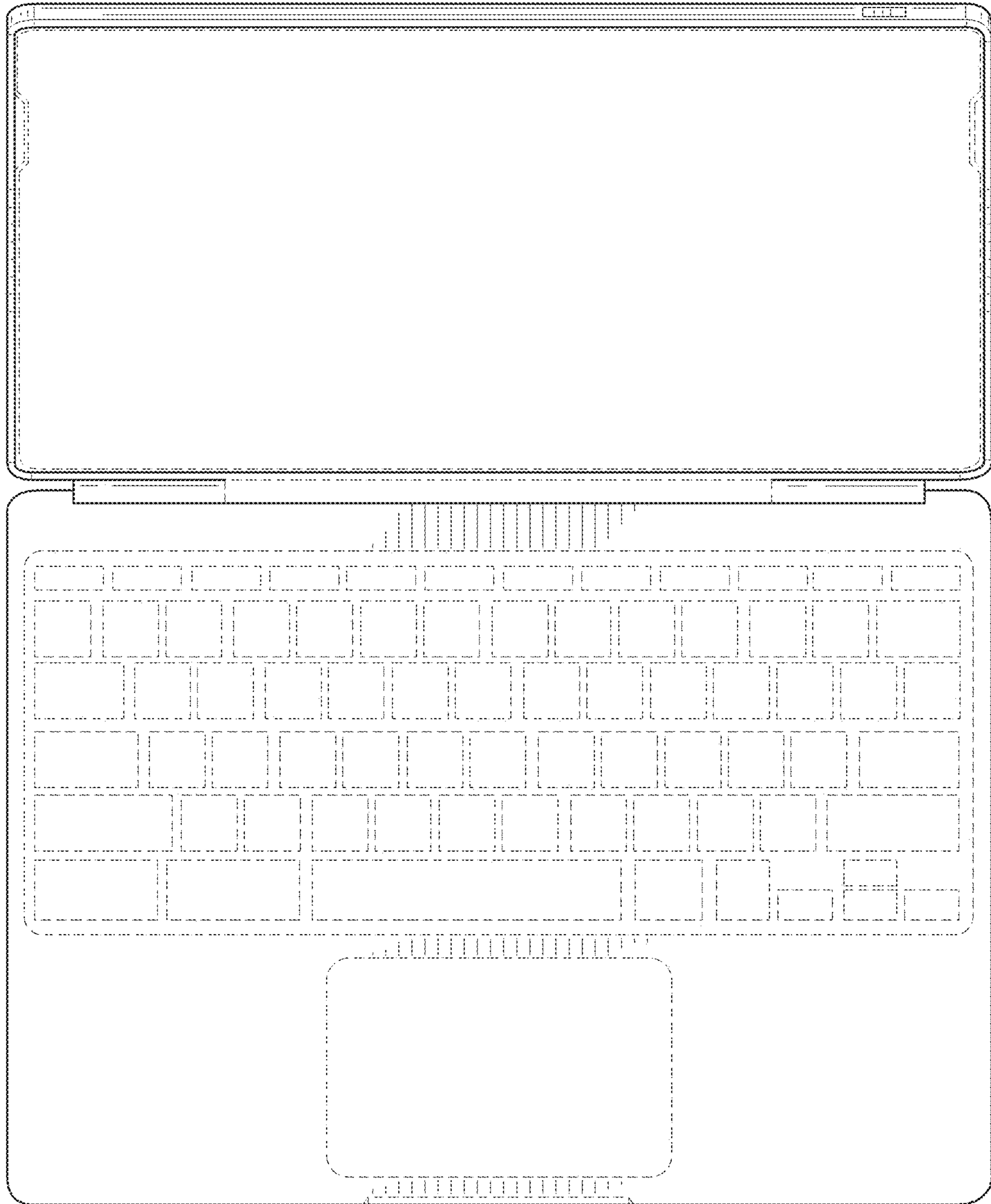


FIG. 2

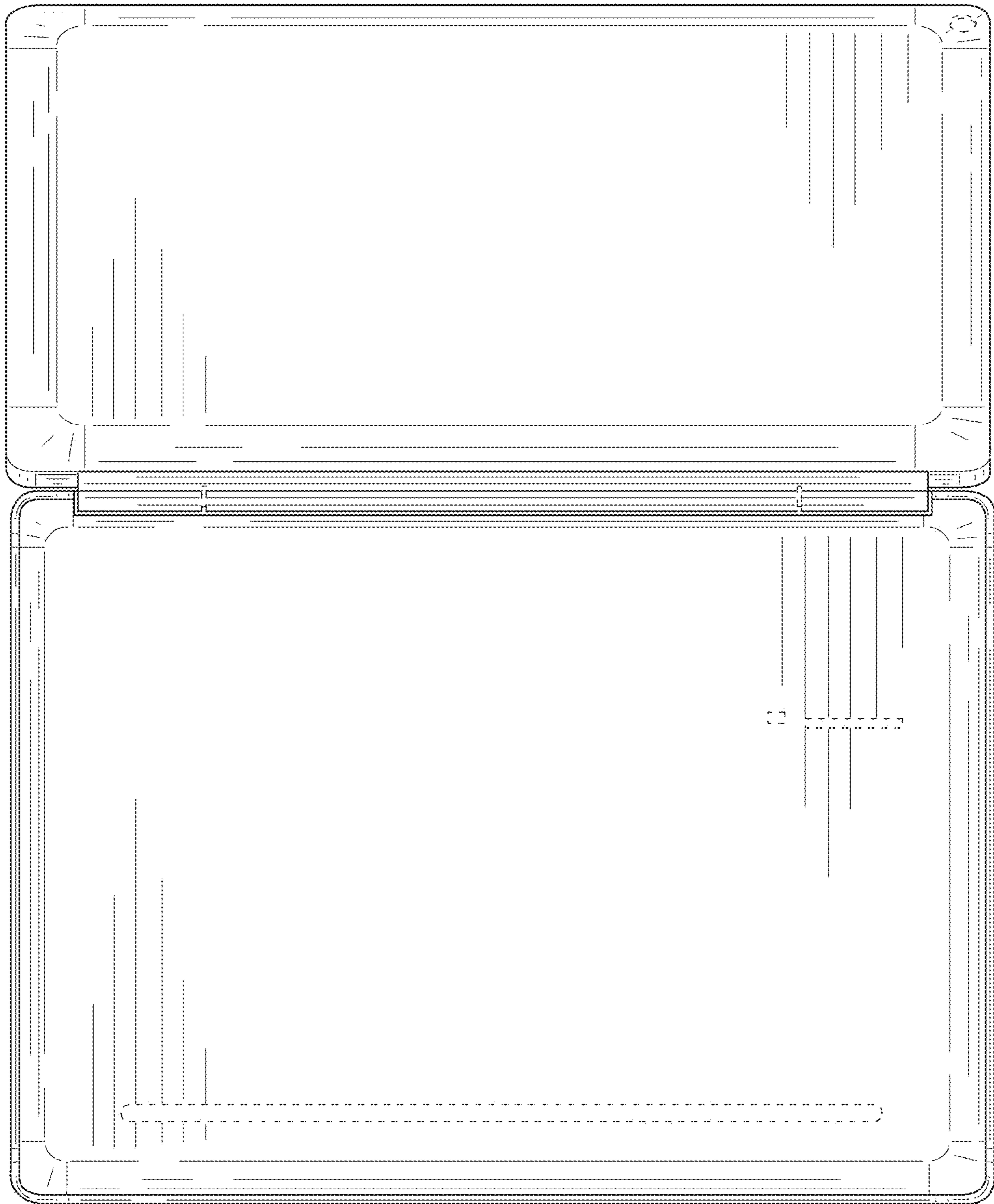


FIG. 3

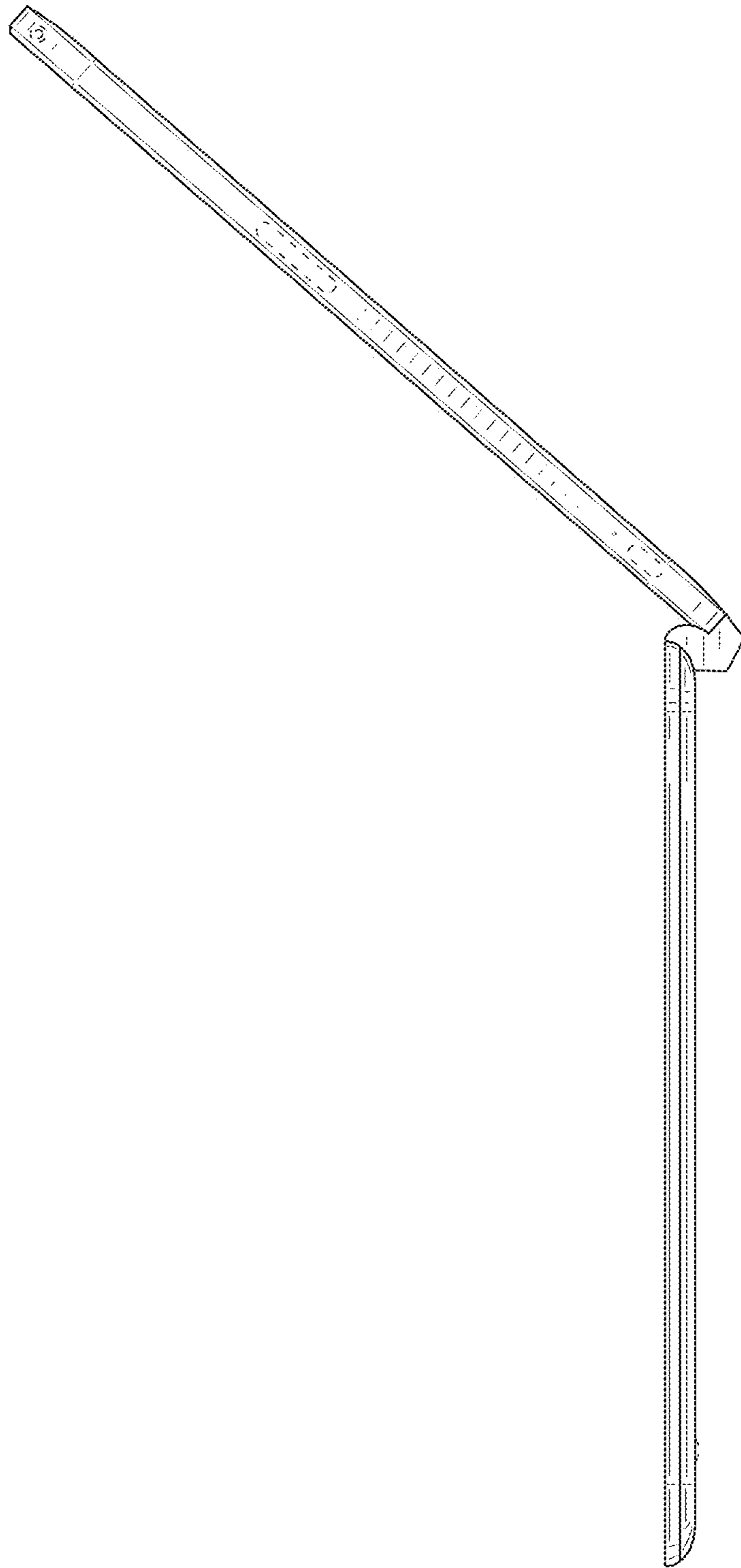


FIG. 4

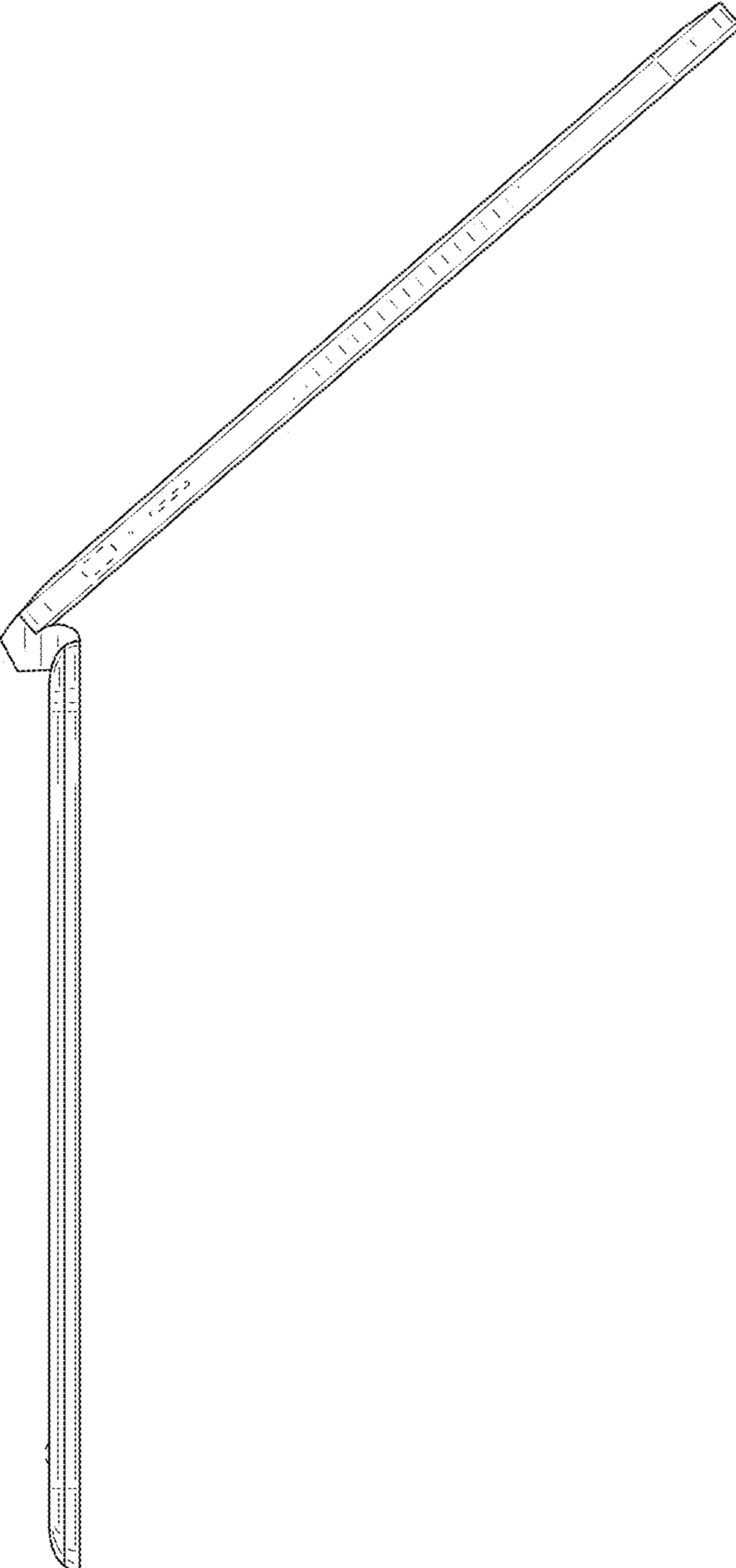


FIG. 5

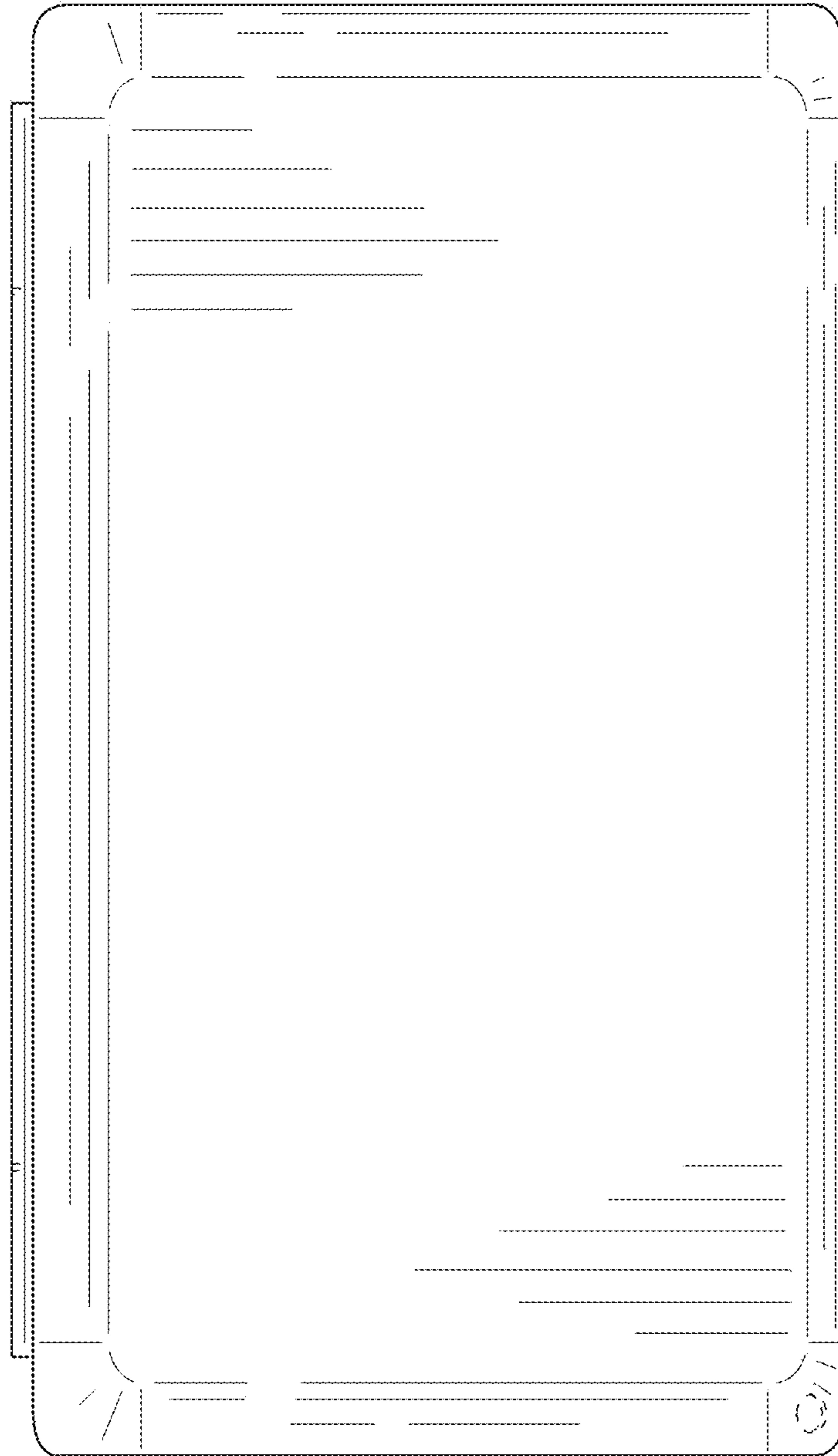


FIG. 6



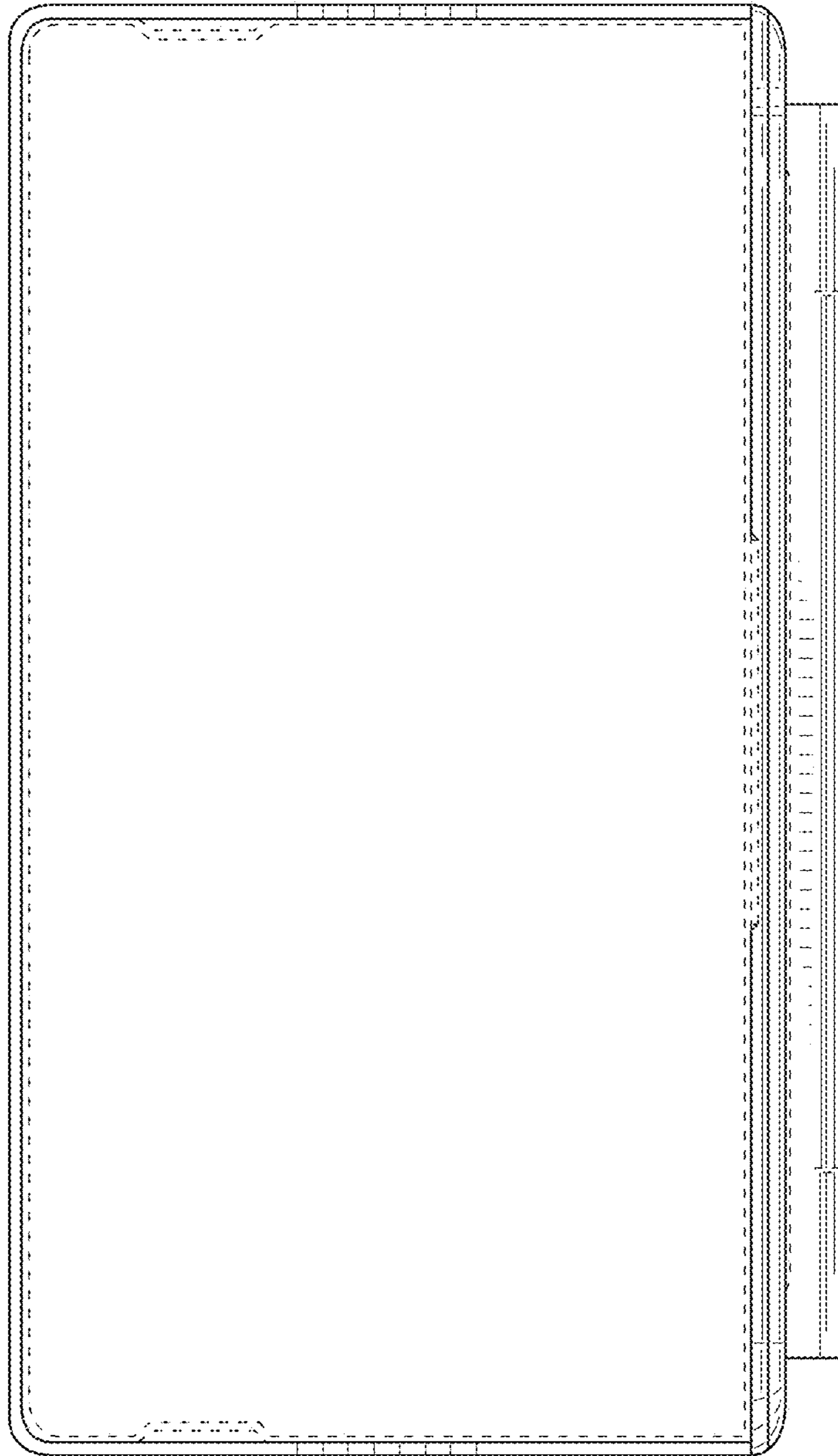


FIG. 7

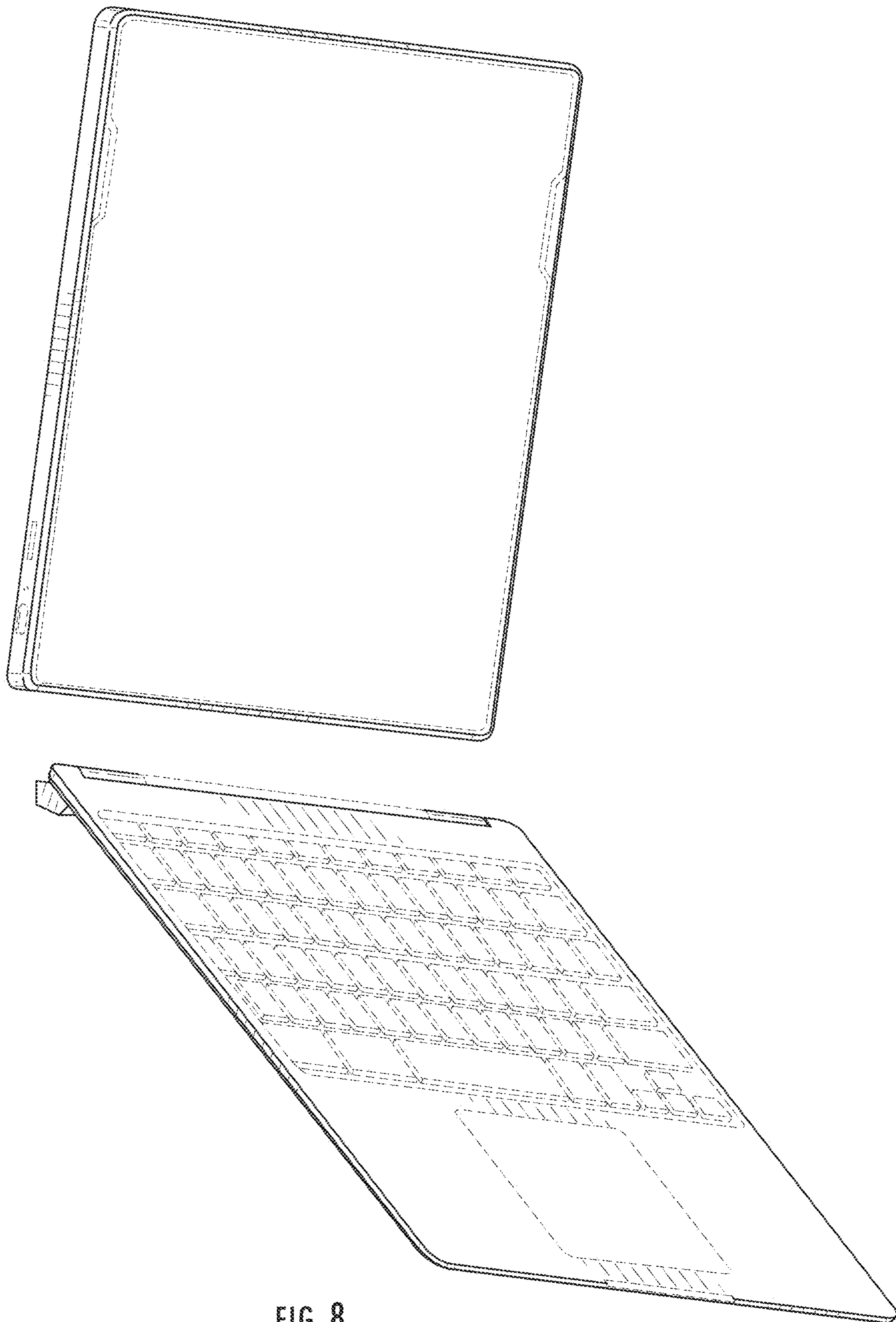


FIG. 8

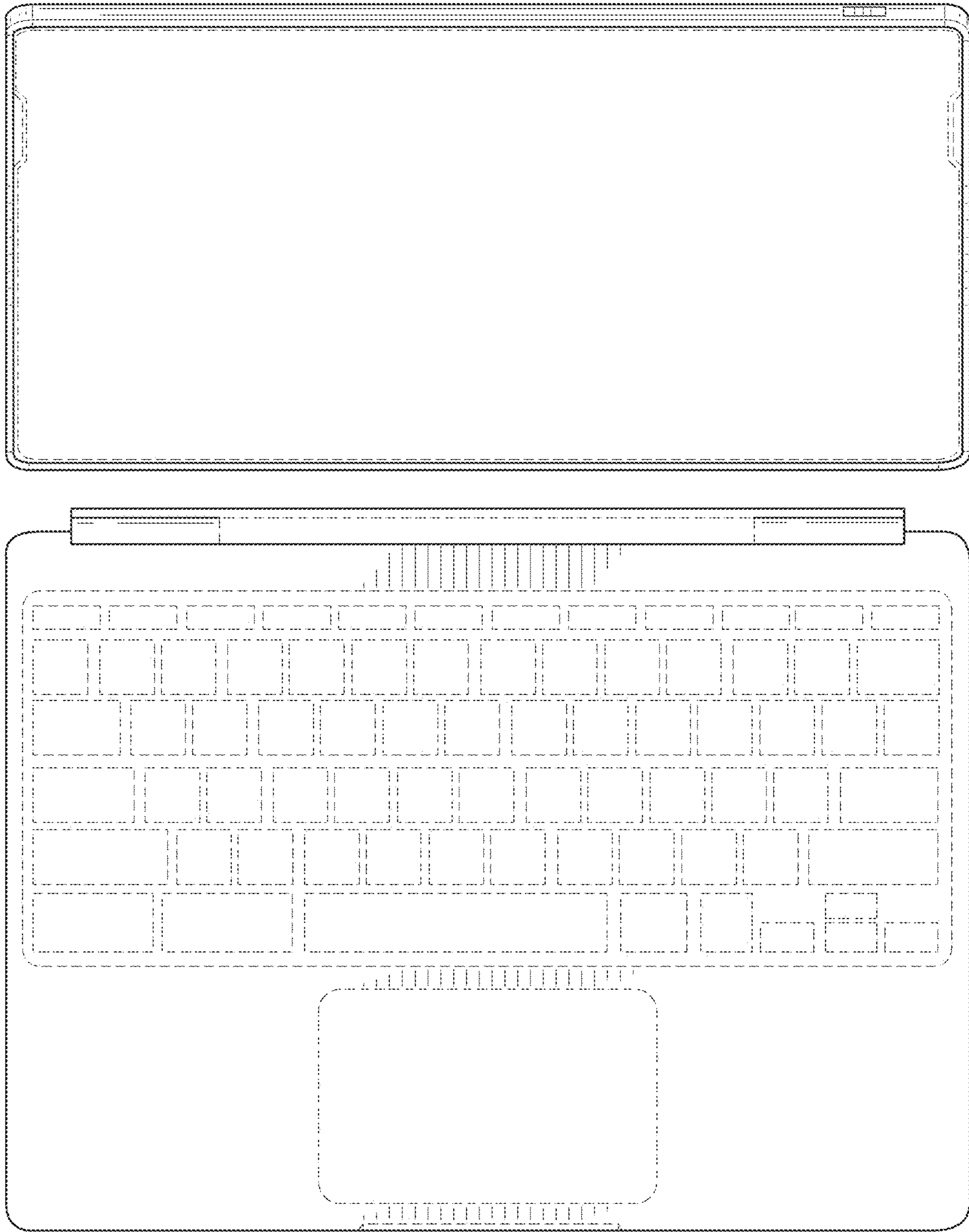


FIG. 9

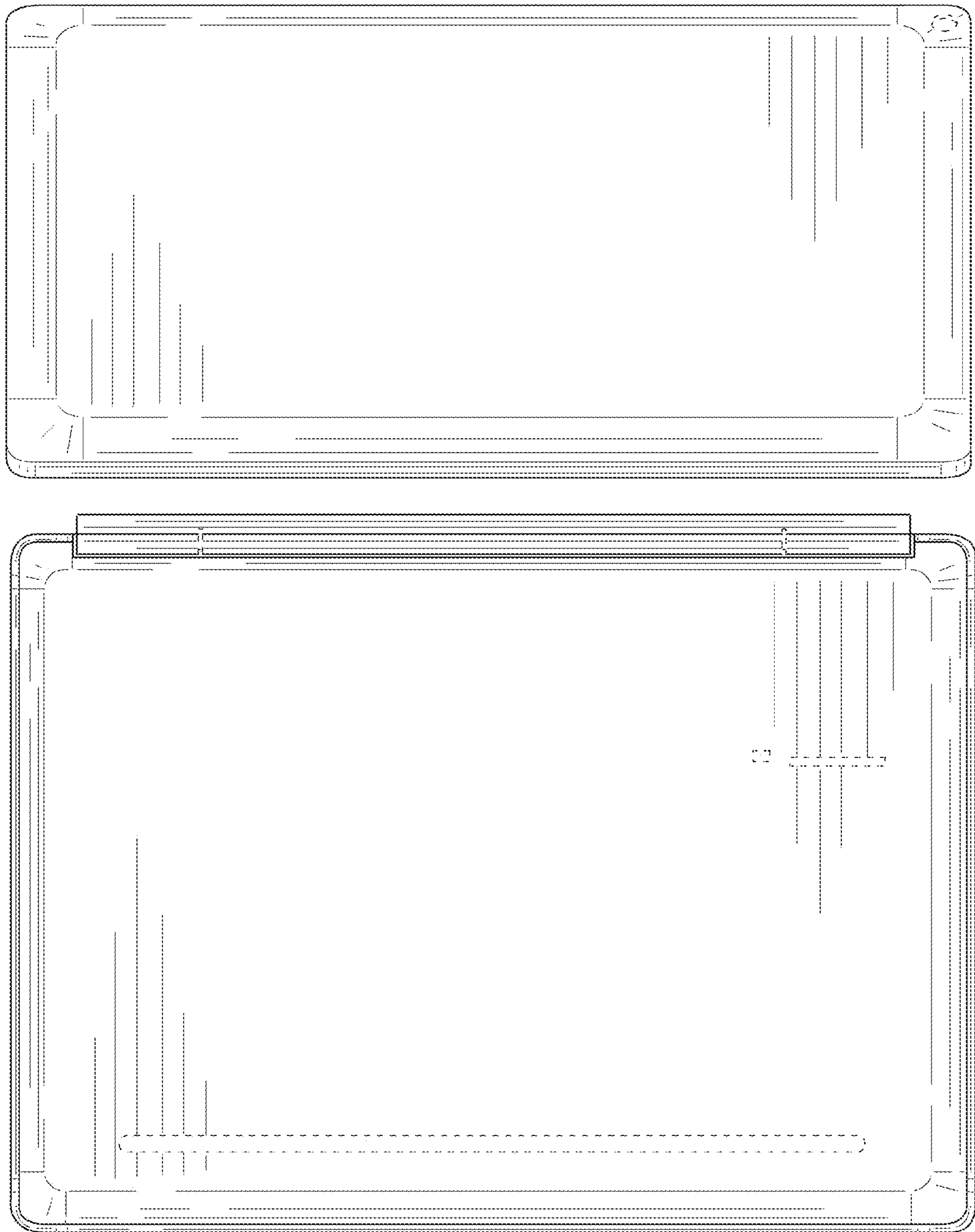


FIG. 10

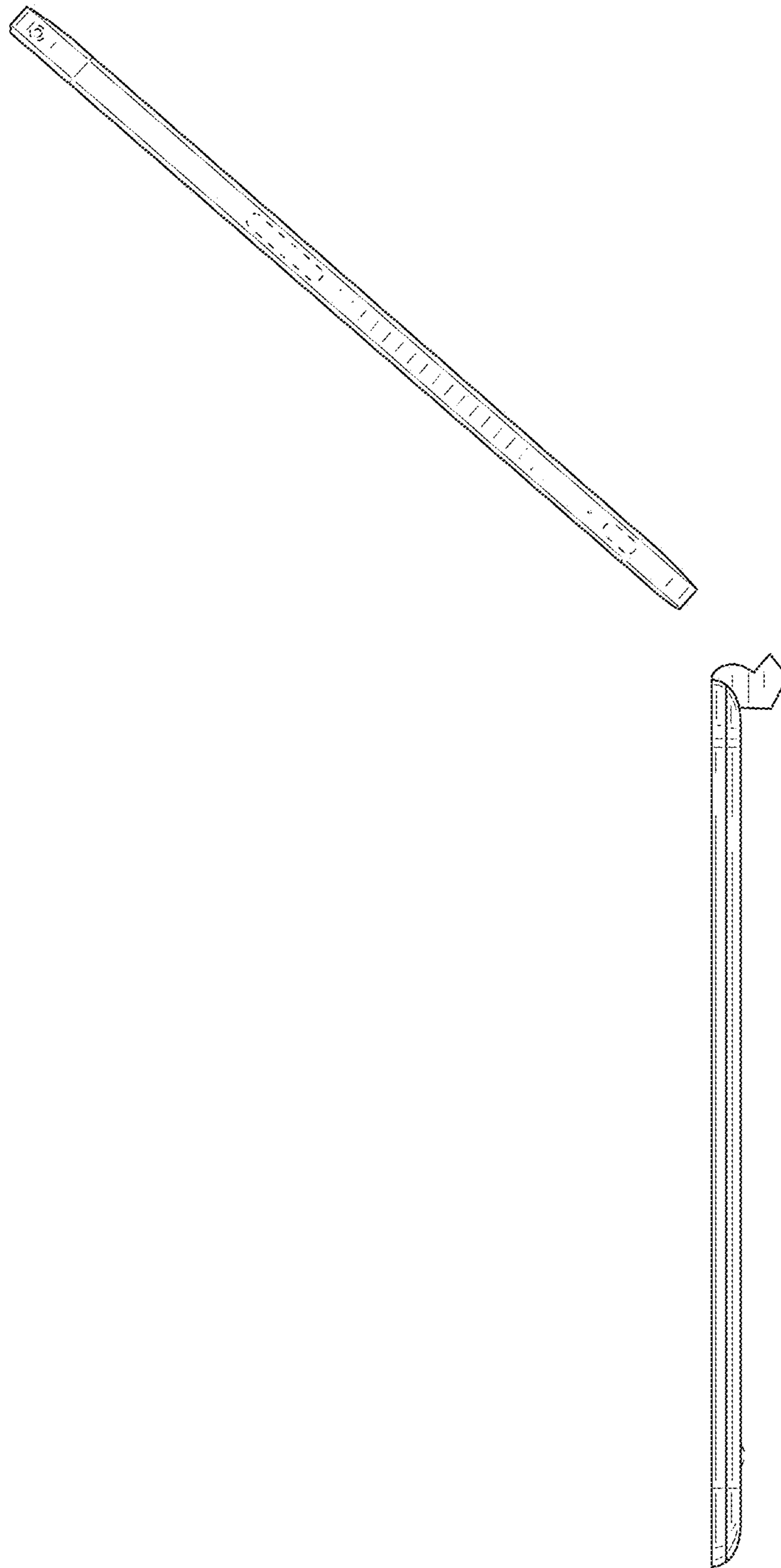


FIG. 11



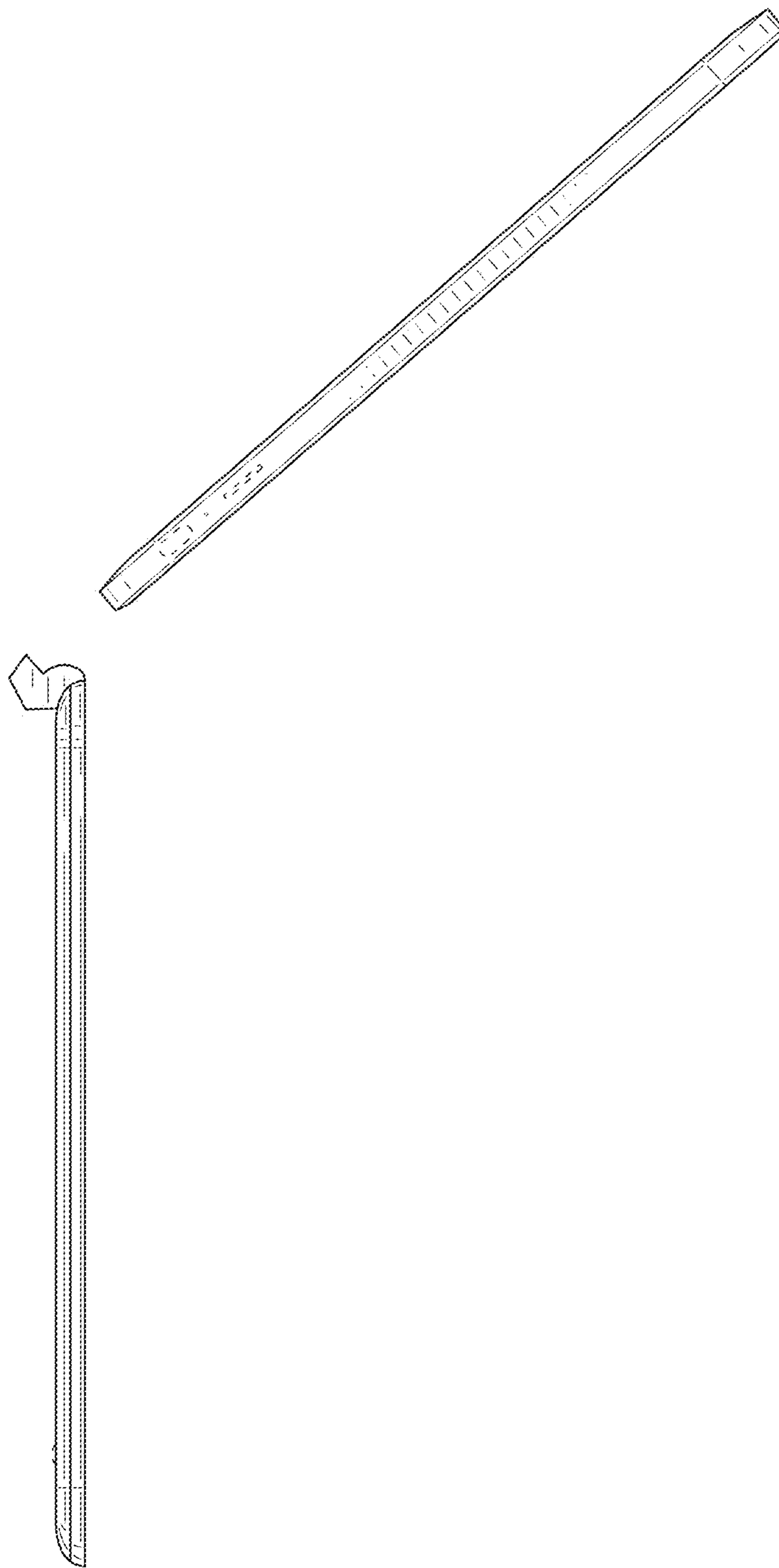


FIG. 12

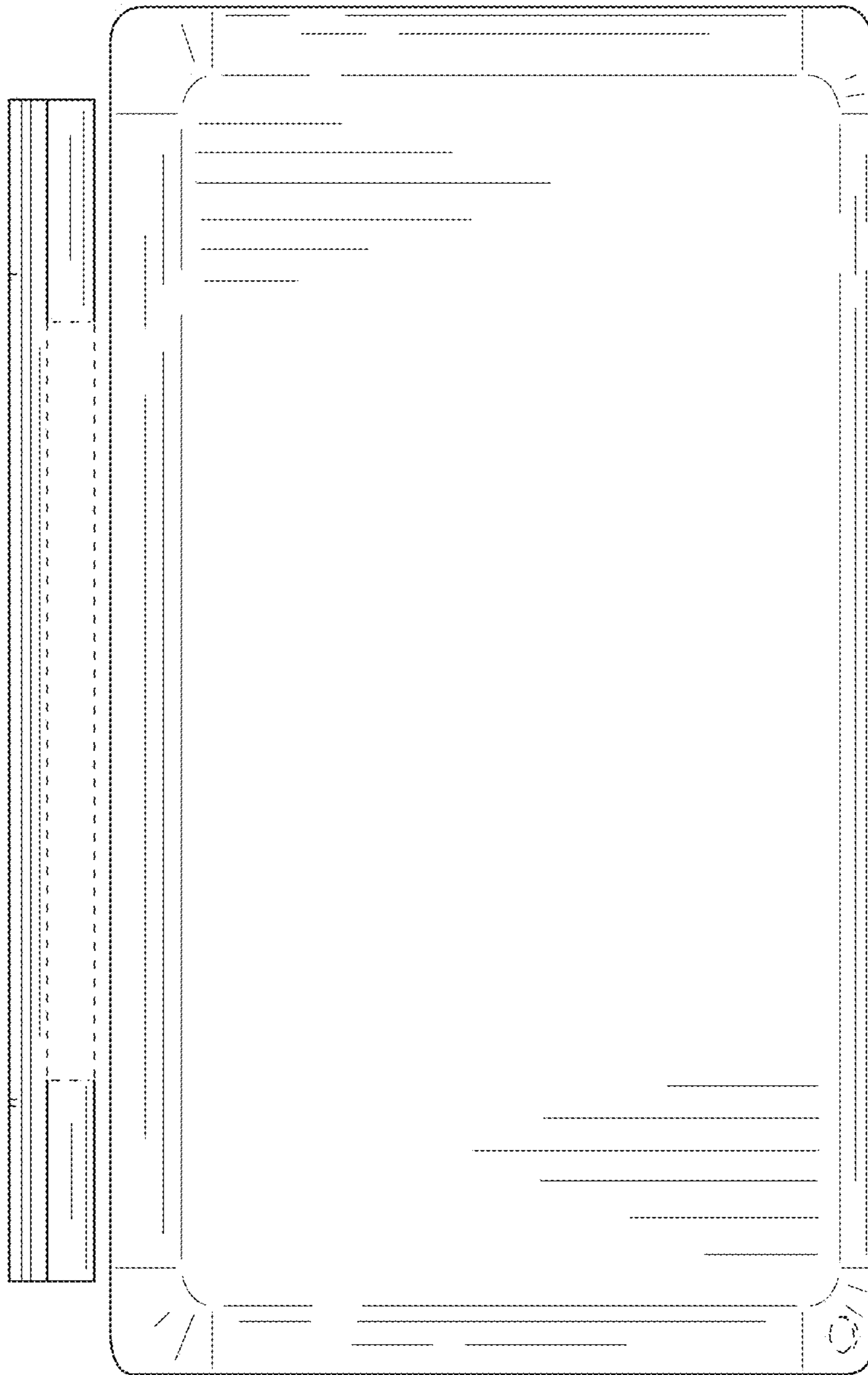


FIG. 13

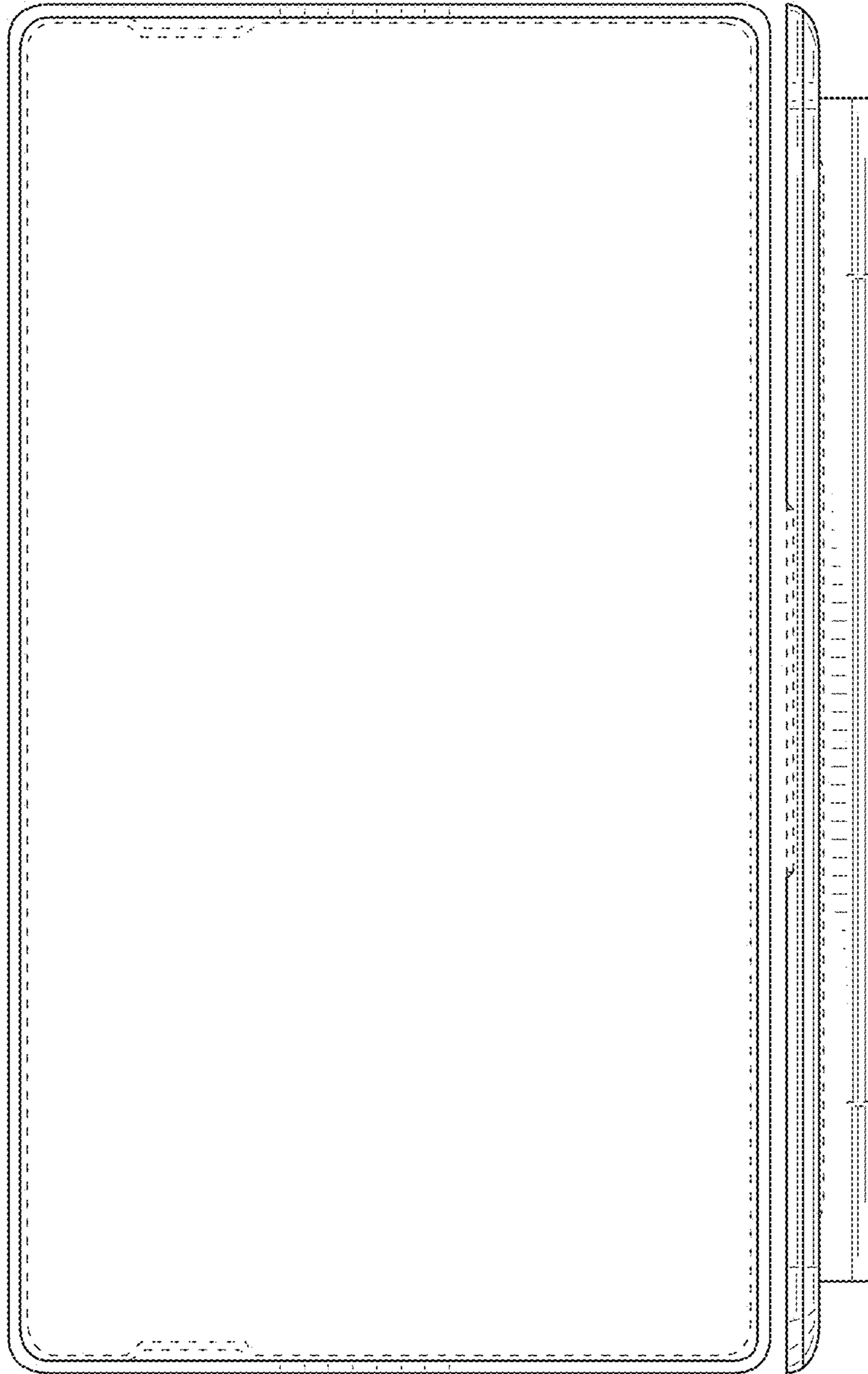


FIG. 14