



US00D871389S

(12) **United States Design Patent** (10) **Patent No.:** **US D871,389 S**
Lim (45) **Date of Patent:** **** Dec. 31, 2019**

(54) **MOVABLE PORTABLE DEVICE HOLDER**

(71) Applicant: **ESI Cases & Accessories**, New York, NY (US)
(72) Inventor: **Kwangpyo Lim**, New York, NY (US)
(73) Assignee: **ESI Cases & Accessories**, New York, NY (US)
(**) Term: **15 Years**

(21) Appl. No.: **29/667,611**
(22) Filed: **Oct. 23, 2018**
(51) **LOC (12) Cl.** **14-99**
(52) **U.S. Cl.**
USPC **D14/253**; D14/447
(58) **Field of Classification Search**
USPC D14/250–254, 224, 224.1, 238.1, 434, D14/447, 451, 452, 483; D12/400, D12/415–418, 420, 426.1, 114, 223; D16/242, 245; D10/74; D3/218; D13/107, 108; D8/301, 306, 307, 401
CPC B60R 11/00; B60R 11/02; B60R 11/0241; B60R 11/0252; B60R 2011/0003; B60R 2011/0005; B60R 2011/0008; H04M 1/04; H04B 1/3877; A45F 2200/0516; A45F 2200/0525; H05K 5/0204; F16M 13/02; F16M 13/022; F16M 11/04; F16M 11/041; F16M 11/14; F16M 11/22; F16B 2/12; H01F 7/0252; G03B 17/561
See application file for complete search history.

(56) **References Cited**

U.S. PATENT DOCUMENTS

D765,662 S * 9/2016 Kang D14/251
D782,488 S * 3/2017 Kim D14/447
D815,086 S * 4/2018 Jeon D14/251
D829,722 S * 10/2018 Kim D14/447
10,117,505 B1 * 11/2018 Alvarez A45F 5/00

(Continued)

OTHER PUBLICATIONS

USAMS 3.5mm Audio & Charger Adjustable Phone Ring Holder, Ebay online, no post date, URL: <https://www.ebay.com/i/254132640191>, retrieved Oct. 8, 2019.*

Primary Examiner — Jeffrey D Asch
Assistant Examiner — Rebekah A Caruso
(74) *Attorney, Agent, or Firm* — Amster, Rothstein & Ebenstein LLP

(57) **CLAIM**

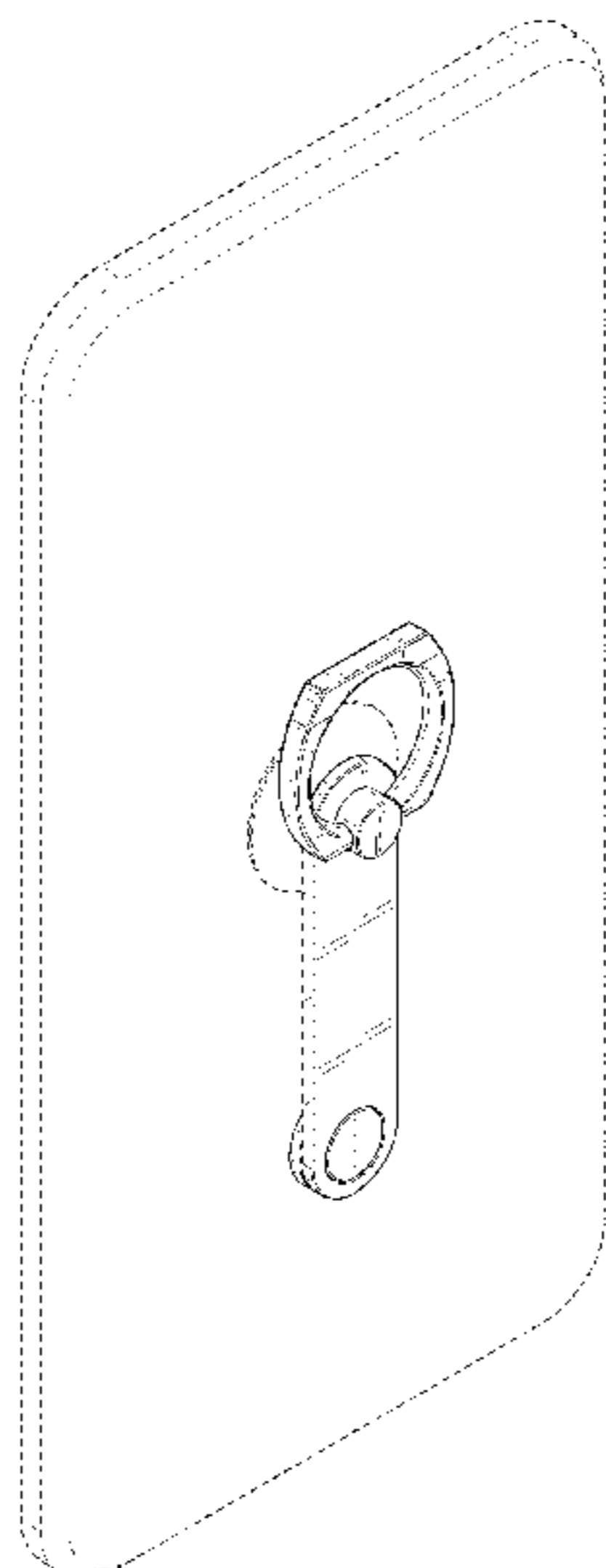
The ornamental design for a movable portable device holder, as shown and described.

DESCRIPTION

FIG. 1 is a perspective view of a movable portable device holder attached to a portable device protective cover in a first position, showing my new design; FIG. 2 is a front view thereof; FIG. 3 is a back view thereof; FIG. 4 is a left side view thereof; FIG. 5 is a right side view thereof; FIG. 6 is a top view thereof; FIG. 7 is a bottom view thereof; FIG. 8 is a perspective view of the movable portable device holder of FIG. 1, attached to a portable device protective cover in a second position; FIG. 9 is a perspective view of the movable portable device holder of FIG. 1 in an alternative environment, attached to a portable device protective cover in the first position; and, FIG. 10 is a perspective view of the movable portable device holder of FIG. 1 in the alternative environment of FIG. 9, attached to a portable device protective cover in the second position.

The broken lines in FIGS. 1-10 depict portions of the movable portable device holder and portable device protective cover that represent environment and form no part of the claimed design.

1 Claim, 8 Drawing Sheets



(56)

References Cited

U.S. PATENT DOCUMENTS

D844,598 S * 4/2019 Jang D14/251
D855,048 S * 7/2019 Kim D14/253
D858,507 S * 9/2019 Jang D14/251
D859,417 S * 9/2019 Kim D14/447
D861,333 S * 10/2019 Feng D3/218
D861,334 S * 10/2019 Feng D3/218
2013/0279098 A1* 10/2013 Cho H05K 7/00
361/679.01
2015/0257288 A1* 9/2015 Livernois F16M 11/38
248/346.06
2016/0076692 A1* 3/2016 Sun A47B 23/044
248/461
2017/0104854 A1 4/2017 Park
2017/0135234 A1* 5/2017 Kim E05D 3/022
2017/0293207 A1* 10/2017 Jeon F16M 11/32
2017/0324852 A1 11/2017 Sadai

* cited by examiner

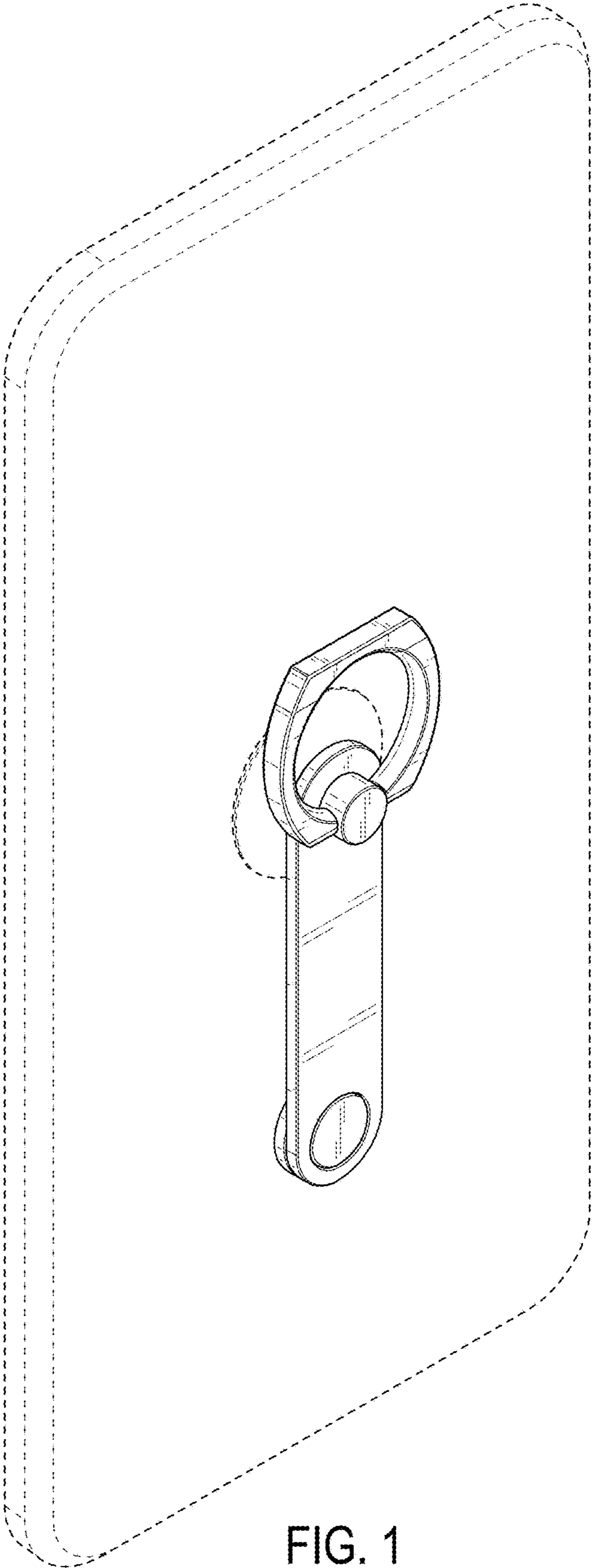


FIG. 1

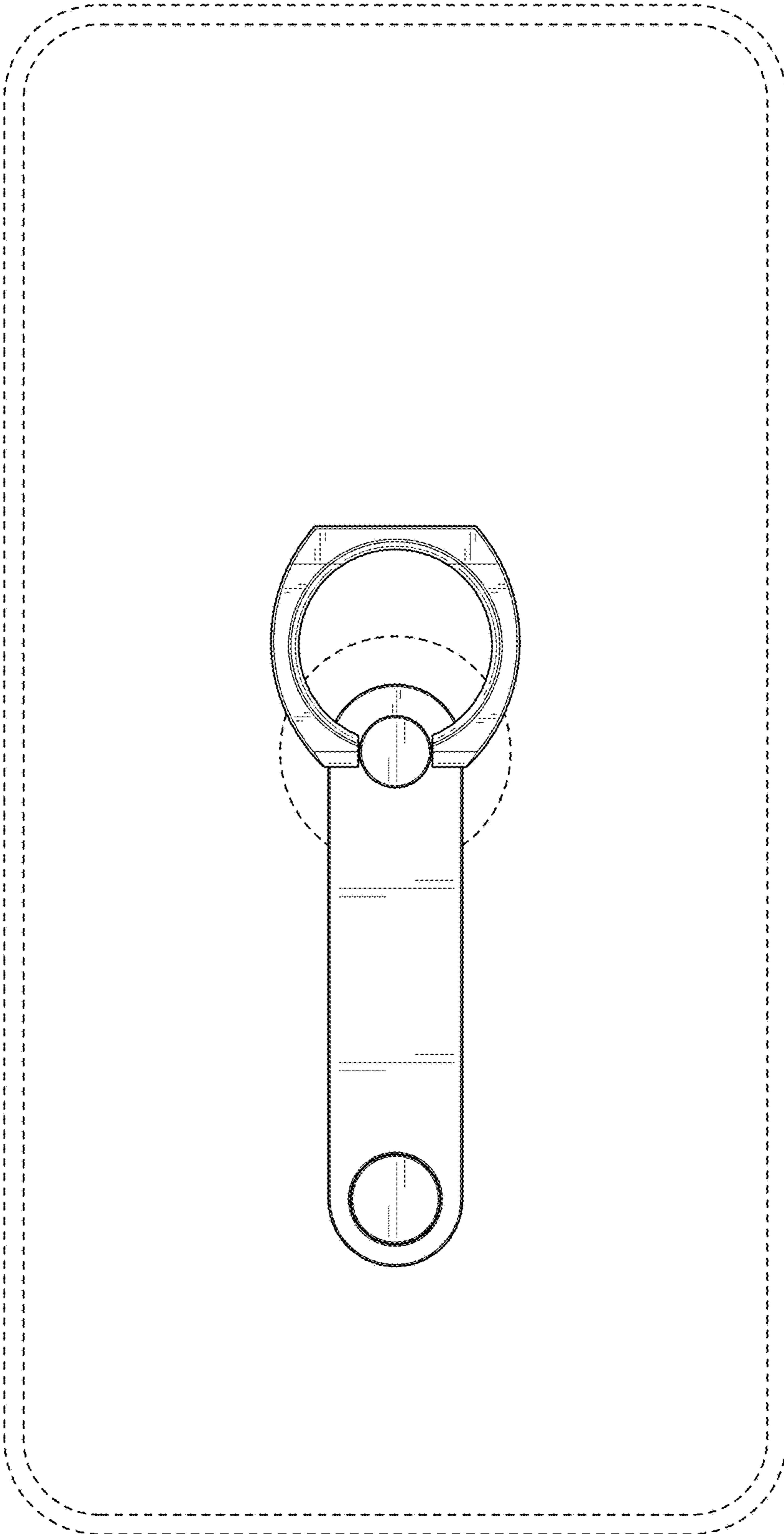


FIG. 2

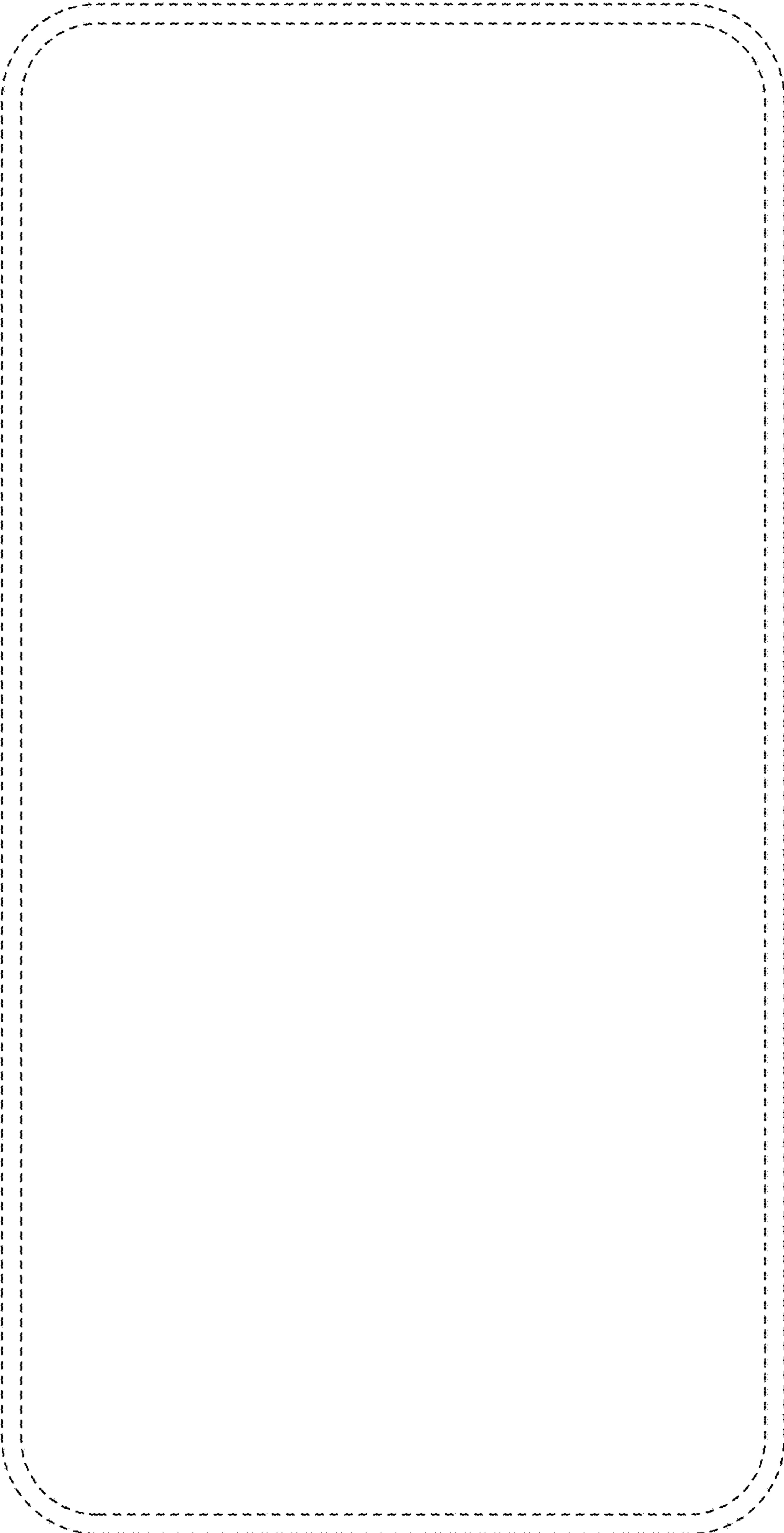


FIG. 3

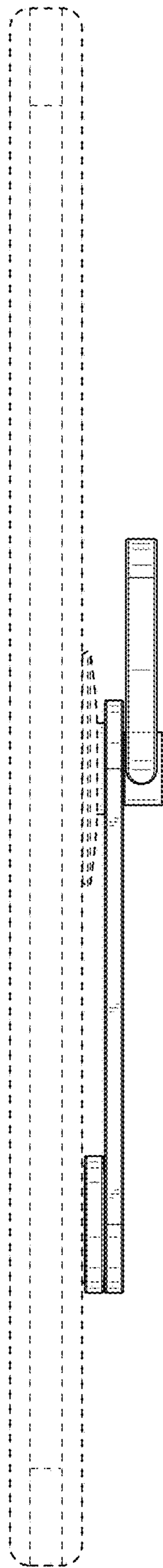


FIG. 4

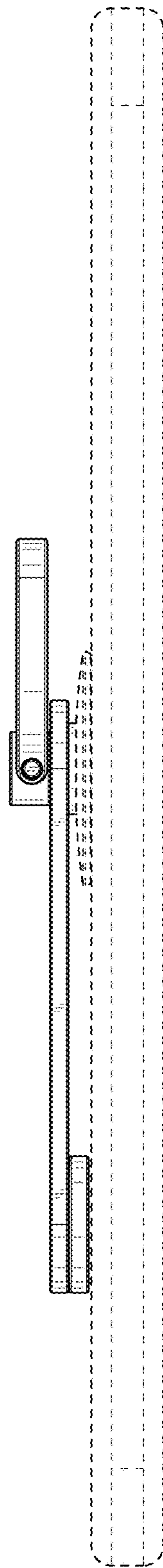


FIG. 5

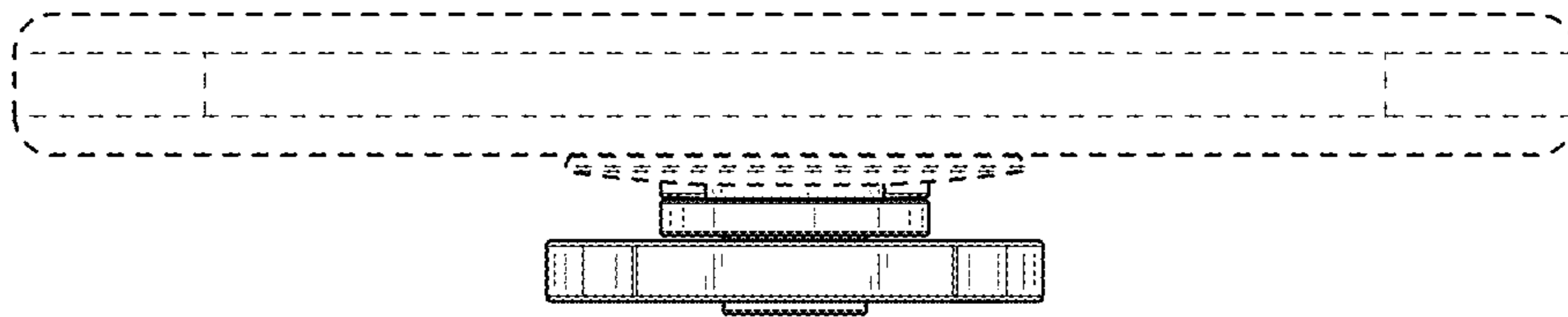


FIG. 6

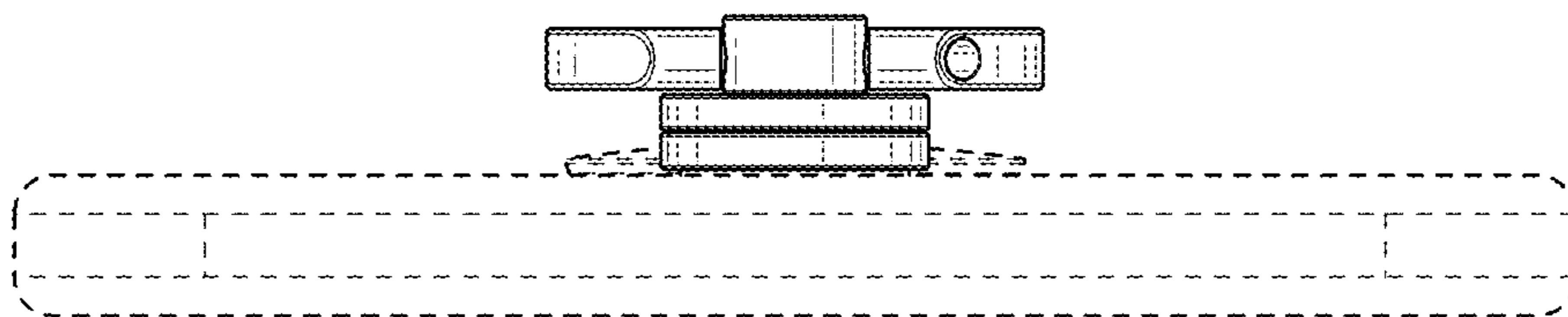
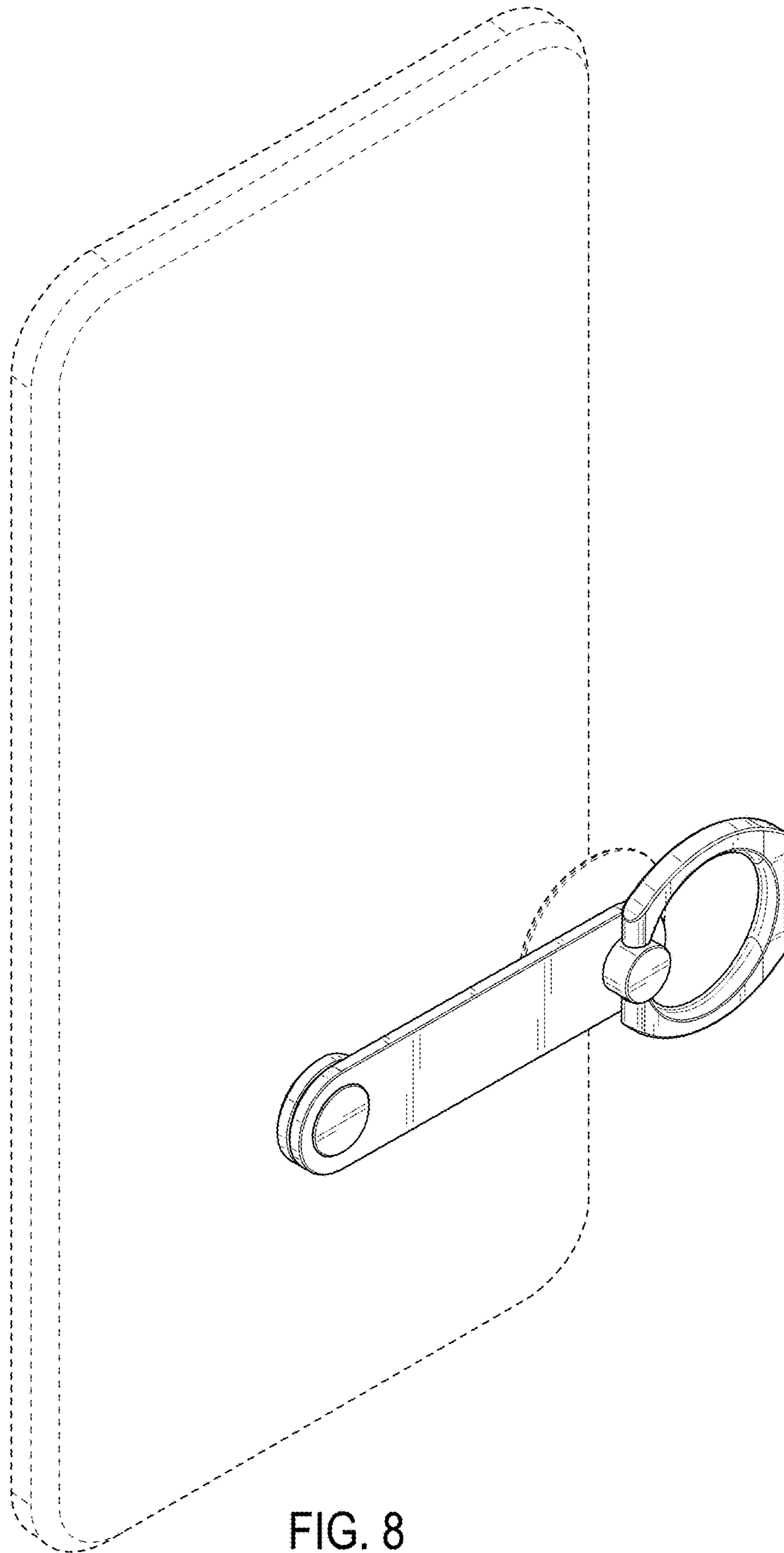


FIG. 7



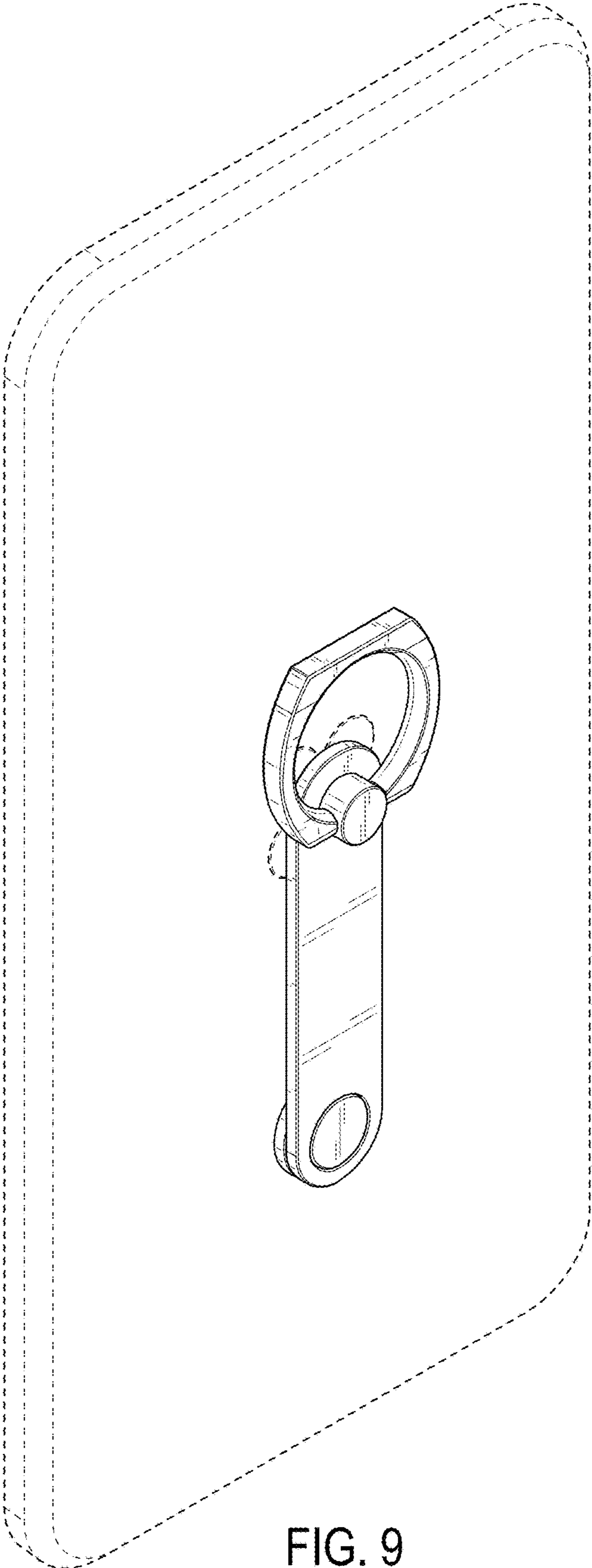


FIG. 9

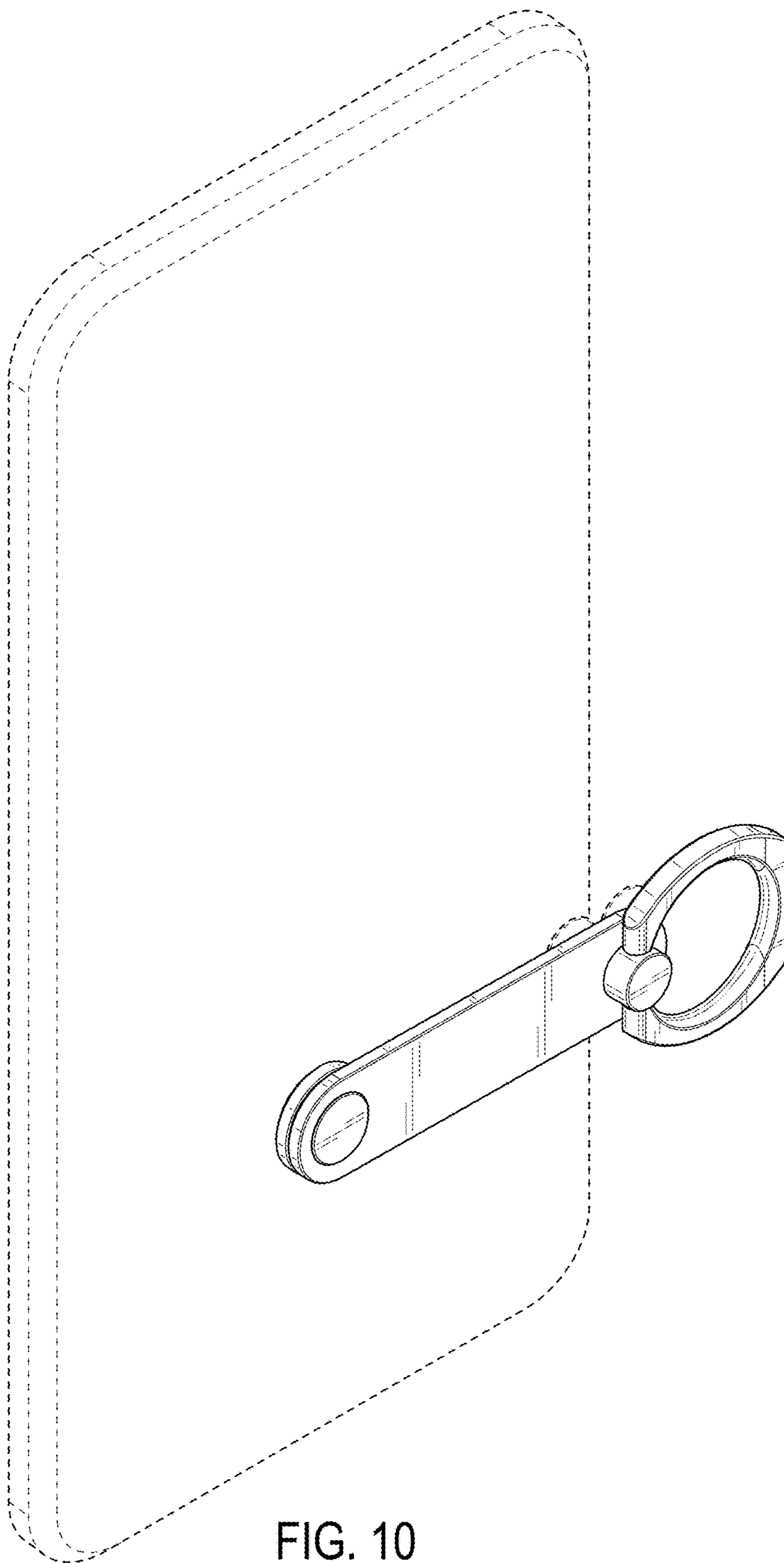


FIG. 10