



US00D871388S

(12) **United States Design Patent**  
**Kim et al.**

(10) **Patent No.: US D871,388 S**

(45) **Date of Patent: \*\* \*Dec. 31, 2019**

(54) **CASE FOR ELECTRONIC COMMUNICATION DEVICE**

(71) Applicant: **SPIGEN KOREA CO., LTD.**, Seoul (KR)

(72) Inventors: **Dae-Young Kim**, Seoul (KR); **Soo Ha Jung**, Seoul (KR)

(73) Assignee: **SPIGEN KOREA CO., LTD.**, Seoul (KR)

(\*) Notice: This patent is subject to a terminal disclaimer.

(\*\*) Term: **15 Years**

(21) Appl. No.: **29/654,224**

(22) Filed: **Jun. 21, 2018**

**Related U.S. Application Data**

(63) Continuation of application No. 29/518,391, filed on Feb. 23, 2015, now Pat. No. Des. 823,290.

(51) **LOC (12) Cl.** ..... **14-03**

(52) **U.S. Cl.**  
USPC ..... **D14/250**

(58) **Field of Classification Search**  
USPC ..... D14/143, 189, 203.2–203.7, 217, 238.1, D14/240, 248, 250, 251–253, 440, 447,  
(Continued)

(56) **References Cited**

**U.S. PATENT DOCUMENTS**

D574,819 S 8/2008 Andre et al.  
D615,077 S 5/2010 Richardson et al.  
(Continued)

**OTHER PUBLICATIONS**

Spigen, “Installation video of SGP Neo Hybrid Case”, <https://www.youtube.com/watch?v=mVASro4MsEg>, Published on Oct. 30, 2009, Downloaded on Feb. 21, 2019.

(Continued)

*Primary Examiner* — Khawaja Anwar  
*Assistant Examiner* — Mojtaba Tehrani

(74) *Attorney, Agent, or Firm* — Heedong Chae; Lucem, PC

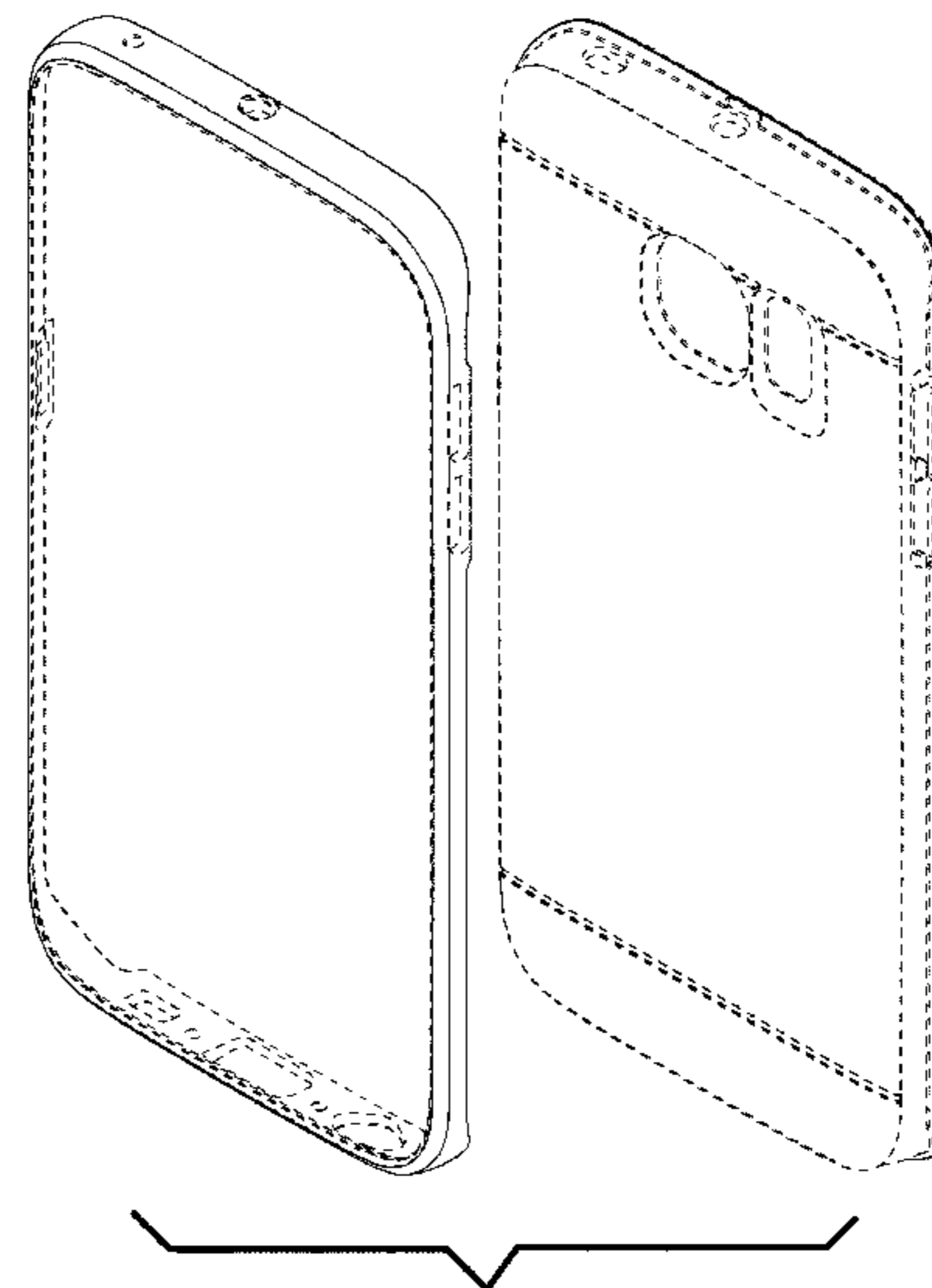
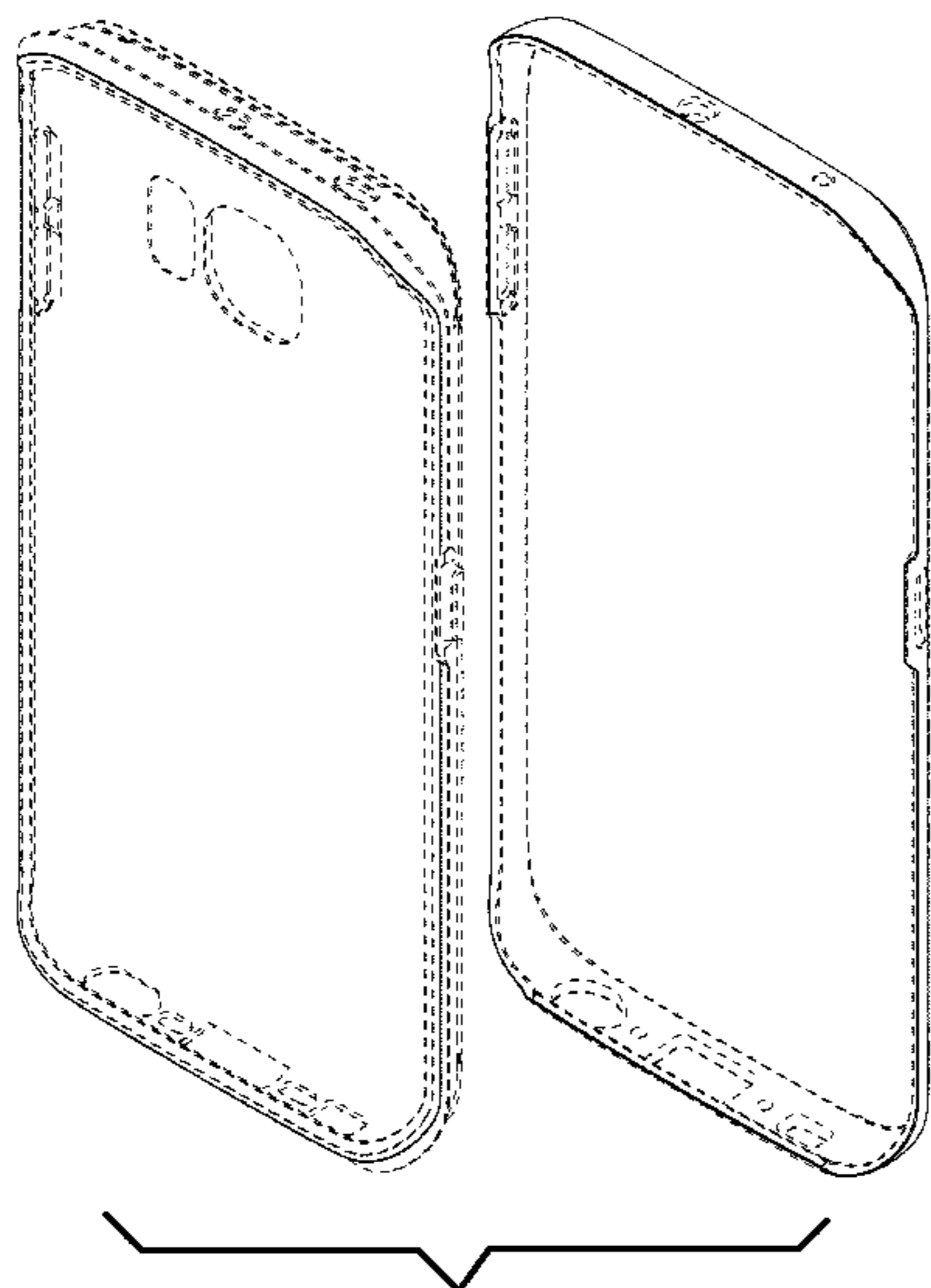
(57) **CLAIM**

The ornamental design for a case for electronic communication device, as shown and described.

**DESCRIPTION**

FIG. 1 is a front perspective view of a case for electronic communication device, showing our new design; FIG. 2 is a rear perspective view thereof; FIG. 3 is a front elevational view thereof; FIG. 4 is a rear elevational view thereof; FIG. 5 is a left side elevational view thereof; FIG. 6 is a right side elevational view thereof; FIG. 7 is a top plan view thereof; FIG. 8 is a bottom plan view thereof; FIG. 9 is a front perspective view of the inner shell of the case; FIG. 10 is a rear perspective view of the inner shell of the case; FIG. 11 is a front perspective view of the outer frame of the case; FIG. 12 is a rear perspective view of the outer frame of the case; FIG. 13 is an exploded front perspective view thereof; and, FIG. 14 is an exploded rear perspective view thereof. The broken line in the drawings depicts unclaimed portion of the case only and forms no part of the claimed design.

**1 Claim, 14 Drawing Sheets**



- (58) **Field of Classification Search**  
 USPC ..... D14/496; D13/103, 107–108, 119;  
                   D3/201, 218, 247, 269, 273, 301, 303  
 CPC ..... A45C 1/06; A45C 11/00; A45C 13/02;  
                   A45C 2011/002; A45F 2005/026; A45F  
                   2200/0525; A45F 2200/0516; H04B  
                   1/3888; H04M 1/0283; H04M 1/0202  
 See application file for complete search history.

(56) **References Cited**

U.S. PATENT DOCUMENTS

D615,536 S	5/2010	Richardson et al.	
D623,639 S	9/2010	Richardson et al.	
D623,640 S	9/2010	Freeman	
D643,029 S	8/2011	Feng	
D643,837 S	8/2011	Smith	
D662,929 S	7/2012	Fahrendorff et al.	
D671,930 S	12/2012	Akana et al.	
D673,539 S	1/2013	Magness et al.	
D674,789 S	1/2013	Wen	
D679,695 S	4/2013	Fahrendorff et al.	
D694,224 S	11/2013	Wooseung	
D696,238 S	12/2013	Murchison et al.	
D696,240 S	12/2013	Kim et al.	
D706,255 S	6/2014	Akana et al.	
D709,649 S	7/2014	Maraffi	
D714,276 S	9/2014	Hu et al.	
D721,071 S	1/2015	Nelson et al.	
D721,072 S	1/2015	Laffon de Mazieres et al.	
D721,360 S	1/2015	Laffon de Mazieres et al.	
D721,693 S	1/2015	Lee et al.	
D739,394 S	9/2015	Rayner et al.	
D741,845 S	10/2015	Kim	
D746,805 S	1/2016	Kim	
D756,343 S	5/2016	Wall et al.	
D763,241 S	8/2016	Kim	
D765,627 S	9/2016	Watt	
D765,633 S	9/2016	Northrup et al.	
D765,645 S	* 9/2016	Kim	D14/250
D771,612 S	11/2016	Roberts et al.	
D771,613 S	11/2016	Poon et al.	
D773,445 S	12/2016	Witter et al.	
D776,647 S	* 1/2017	Kim	D14/250
D777,157 S	1/2017	Kim	
D777,159 S	1/2017	Lee et al.	
D779,471 S	2/2017	Tien	
D780,164 S	* 2/2017	Lee	D14/250
D780,165 S	* 2/2017	Lee	D14/250
D781,835 S	3/2017	Kim et al.	
D781,836 S	3/2017	Kim et al.	
D781,837 S	3/2017	Kim et al.	
D781,838 S	3/2017	Kim et al.	
D781,839 S	3/2017	Kim et al.	

D781,840 S	3/2017	Kim et al.	
D782,453 S	3/2017	Kim et al.	
D782,454 S	3/2017	Kim et al.	
D784,309 S	4/2017	Lee et al.	
D786,232 S	* 5/2017	Kim	D14/250
D786,848 S	5/2017	Park et al.	
D786,849 S	5/2017	Park et al.	
D792,394 S	* 7/2017	Lee	D14/341
D795,237 S	* 8/2017	Jung	D13/108
D797,715 S	* 9/2017	Kim	D14/250
D798,286 S	9/2017	Roberts et al.	
D798,853 S	10/2017	Park et al.	
D800,714 S	10/2017	Lee et al.	
D801,322 S	* 10/2017	Song	D14/248
D801,323 S	10/2017	Kim	
D801,326 S	* 10/2017	Kim	D14/250
D805,064 S	12/2017	Lee et al.	
D805,507 S	12/2017	Jakobuco	
D806,060 S	* 12/2017	Kim	D14/250
D806,061 S	* 12/2017	Kim	D14/250
D807,337 S	1/2018	Kim et al.	
D813,854 S	* 3/2018	Lee	D14/248
D816,655 S	5/2018	Dennis et al.	
D822,013 S	* 7/2018	Kim	D14/250
D823,290 S	* 7/2018	Kim	D14/250
D829,702 S	* 10/2018	Jung	D14/250

OTHER PUBLICATIONS

Spigen, “Installation video of SGP Neo Hybrid2”, [https://www.youtube.com/watch?v=y5\\_NdOVOfZo](https://www.youtube.com/watch?v=y5_NdOVOfZo), Published on May 25, 2010, Downloaded on Feb. 21, 2019.

Run Around Tech, “SGP Neo Hybrid Matte Series Case for the iPhone 4”, <https://www.youtube.com/watch?v=fOH74451I-8>, Published on Sep. 22, 2010, Downloaded on Aug. 15, 2018.

“SGP iPhone 4 Case Neo Hybrid Matte Series Gun Metal”, <https://www.amazon.co.uk/dp/B004F1IQ7E>, Date first available at amazon.co.uk of Dec. 3, 2010, Downloaded on Aug. 15, 2018.

Spigen, “Neo Hybrid Case for Galaxy S3”, <https://www.youtube.com/watch?v=IgpahRniVku>, Published on Jun. 27, 2012, Downloaded on Feb. 21, 2019.

“Spigen Neo Hybrid Galaxy S4 Case with Flexible Inner Protection and Reinforced Hard Bumper Frame for Galaxy S4 2013—Dante Red”, <https://www.amazon.com/Spigen-Hybrid-Flexible-Protection-Reinforced/dp/B00BYJXI1Y>, Earliest review date of May 9, 2013, Downloaded on Jan. 22, 2019.

Metagamers, “Spigen Neo Hybrid iPhone 5 & 5s Case Review”, <https://www.youtube.com/watch?v=vTvTYZfSmal>, Published on Jul. 21, 2013, Downloaded on Feb. 21, 2019.

Danny Winget, “Spigen SGP Neo Hybrid for Galaxy Note 3 Review”, <https://www.youtube.com/watch?v=W80JtBDSckk>, Published on Nov. 3, 2013, Downloaded on Dec. 20, 2018.

\* cited by examiner

FIG. 1

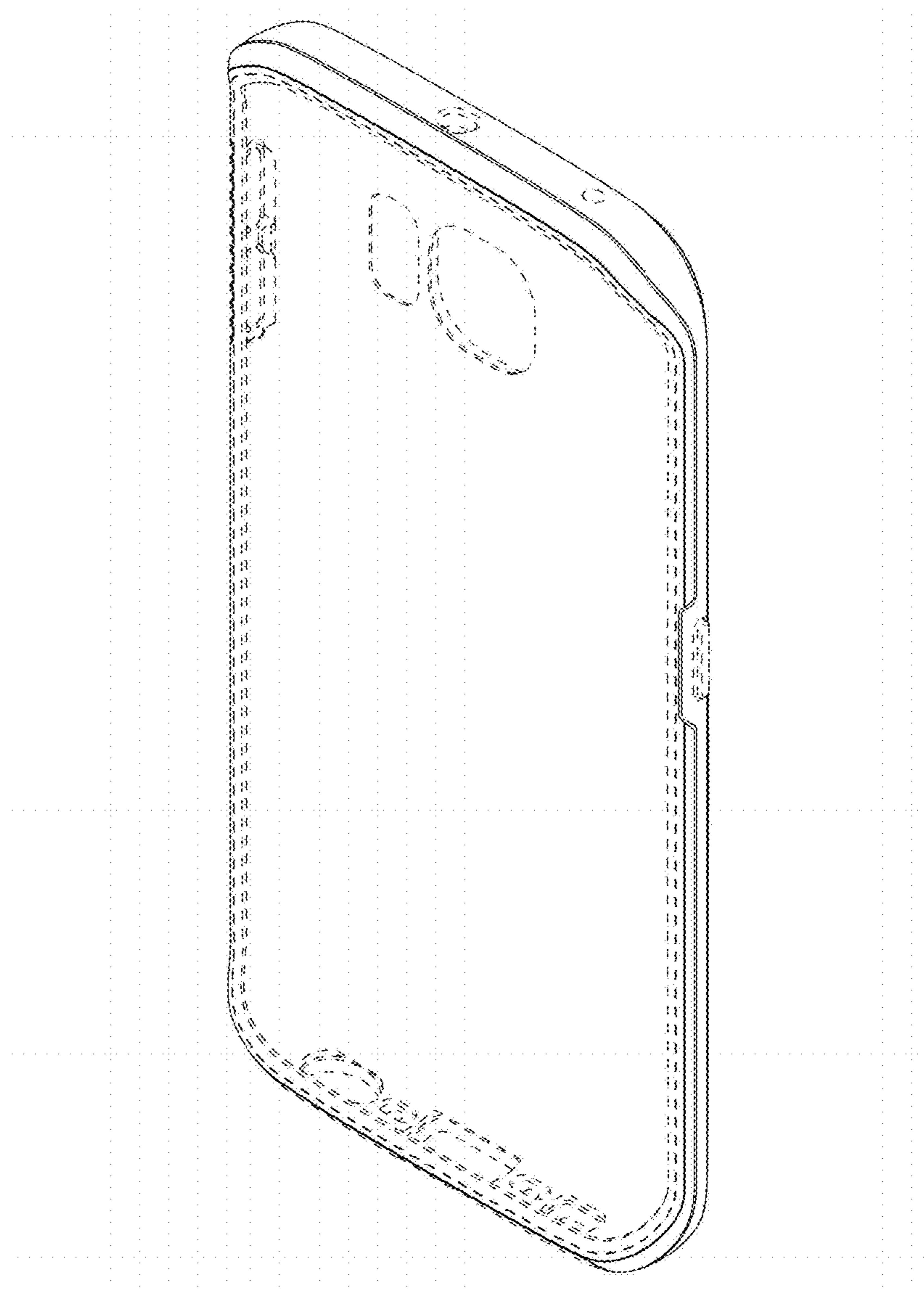




FIG. 2

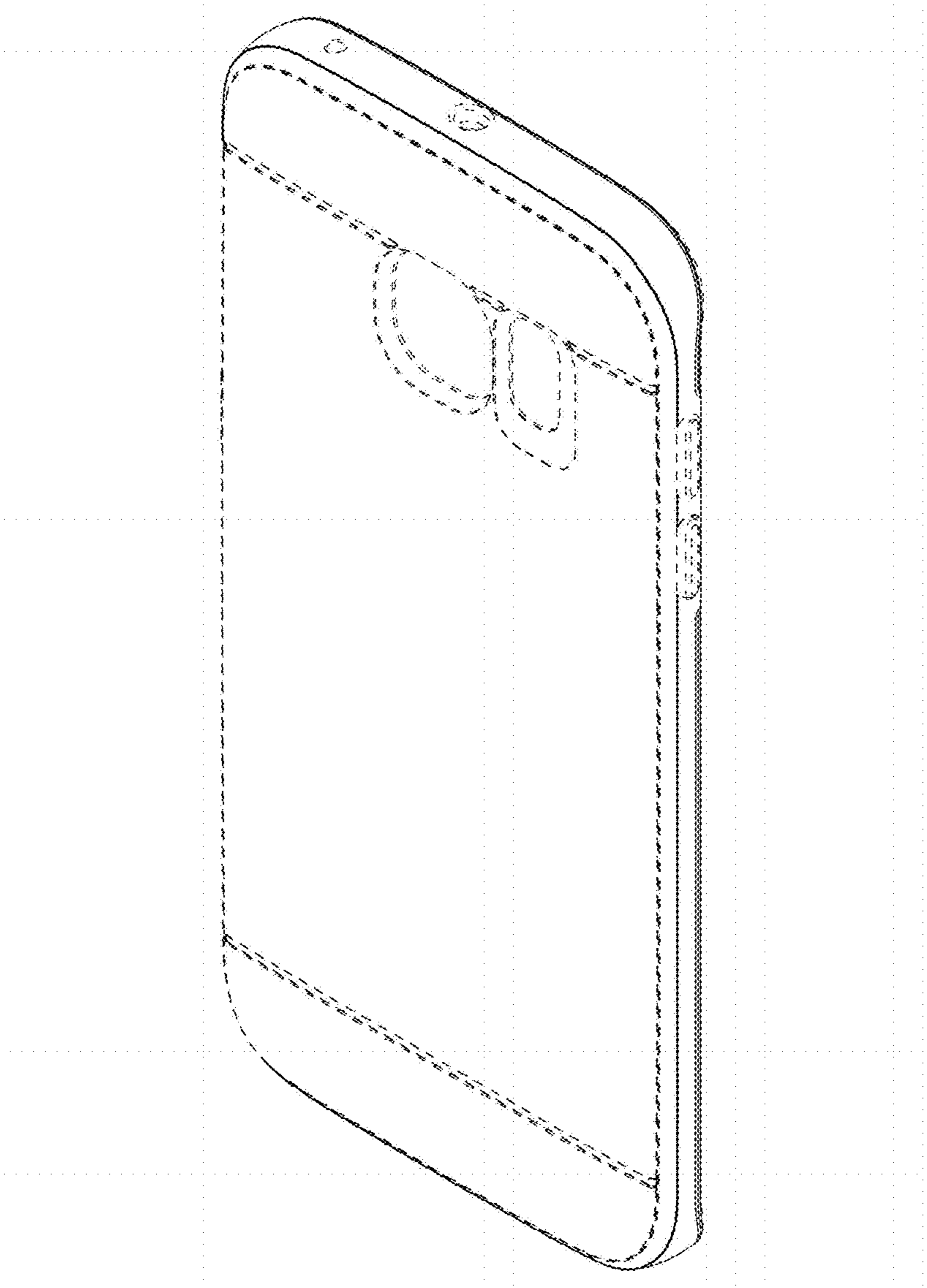


FIG. 3

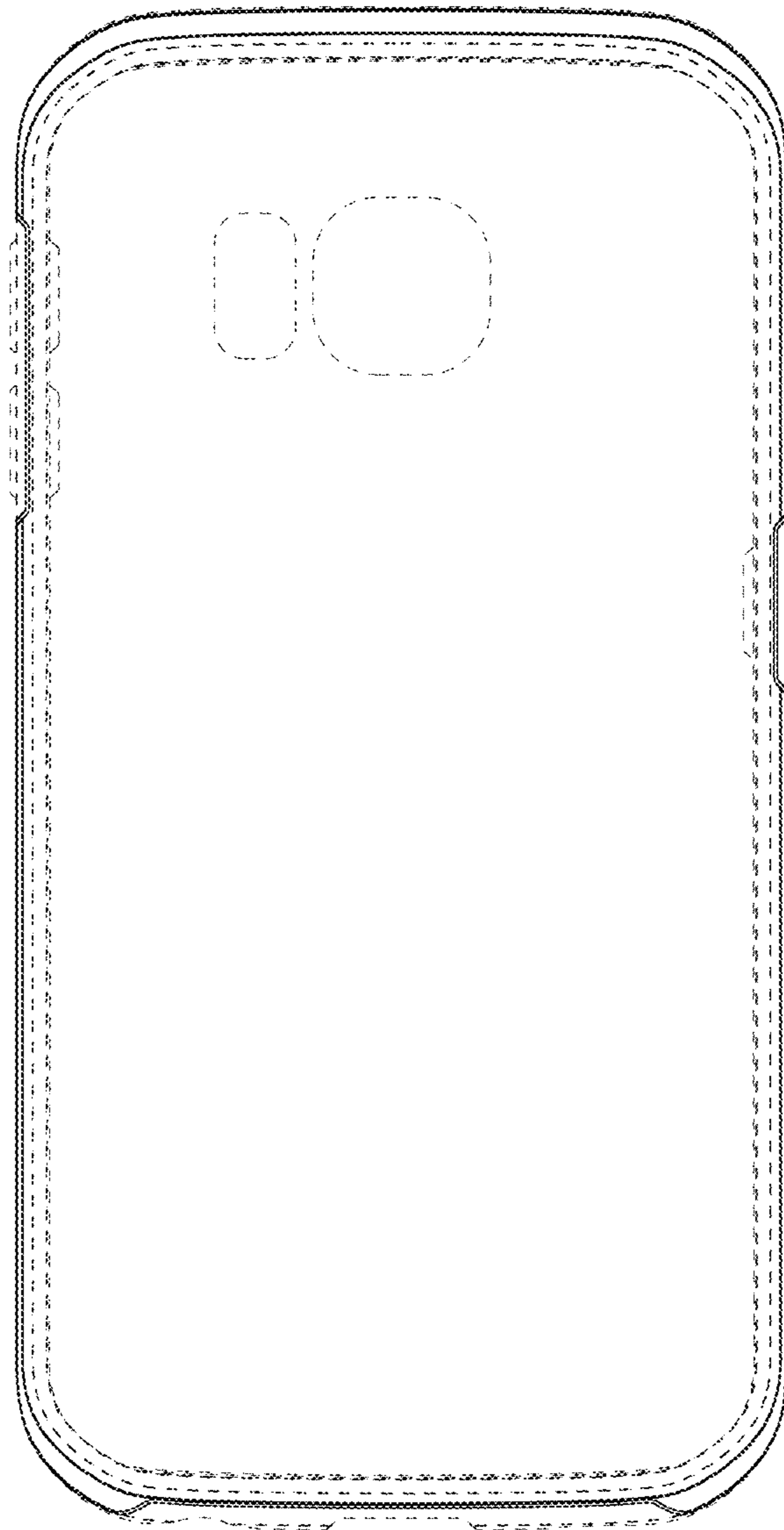


FIG. 4

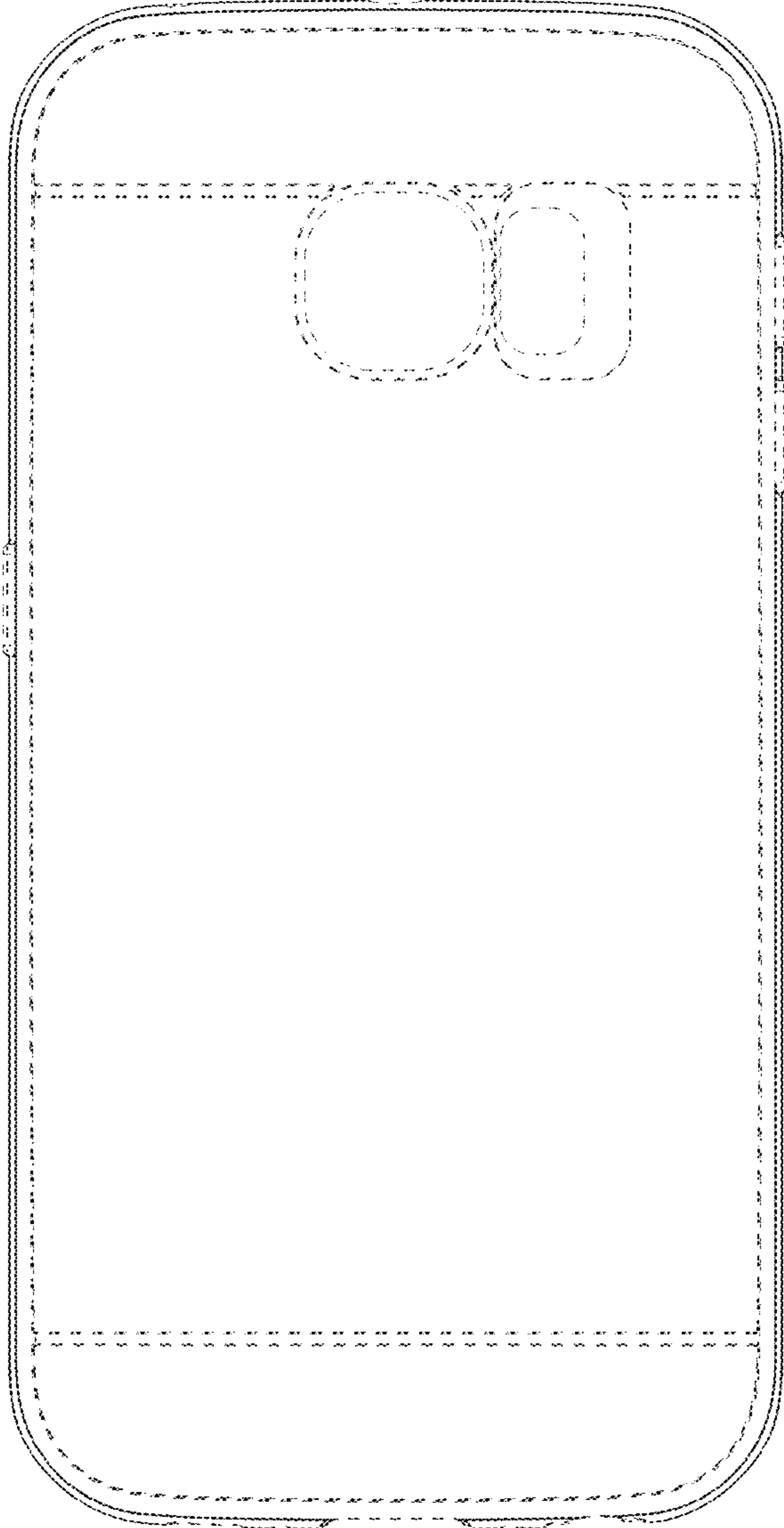


FIG. 5

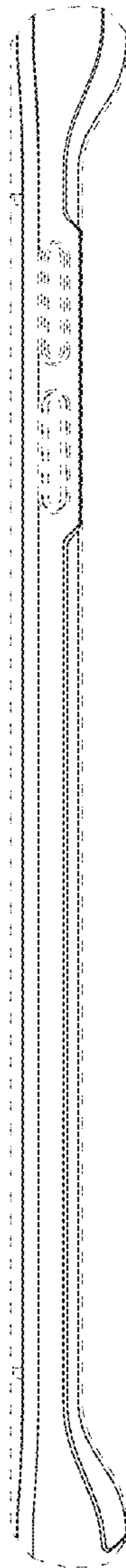


FIG. 6

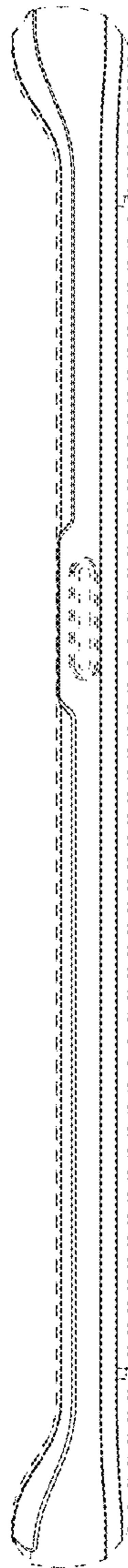




FIG. 7

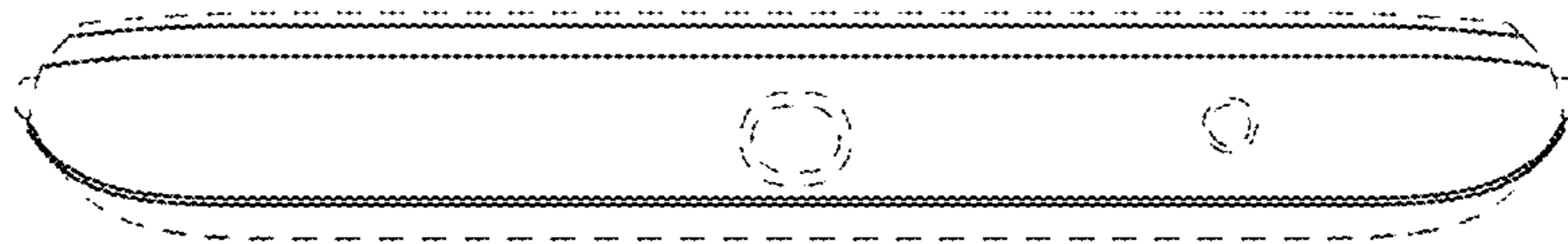


FIG. 8

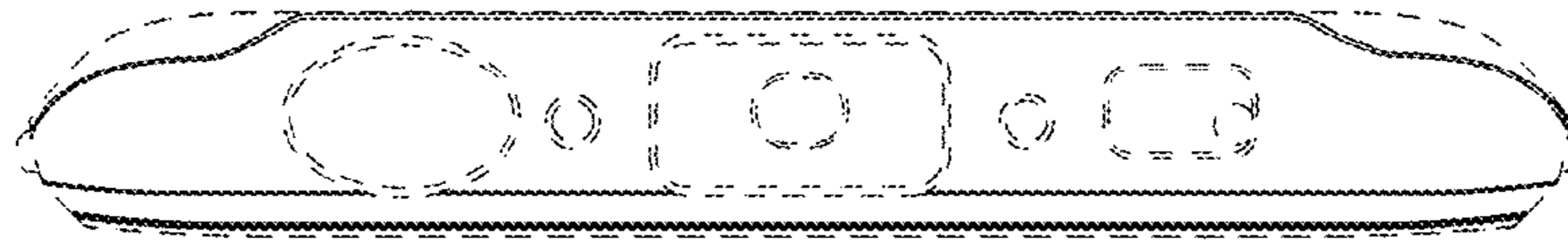


FIG. 9

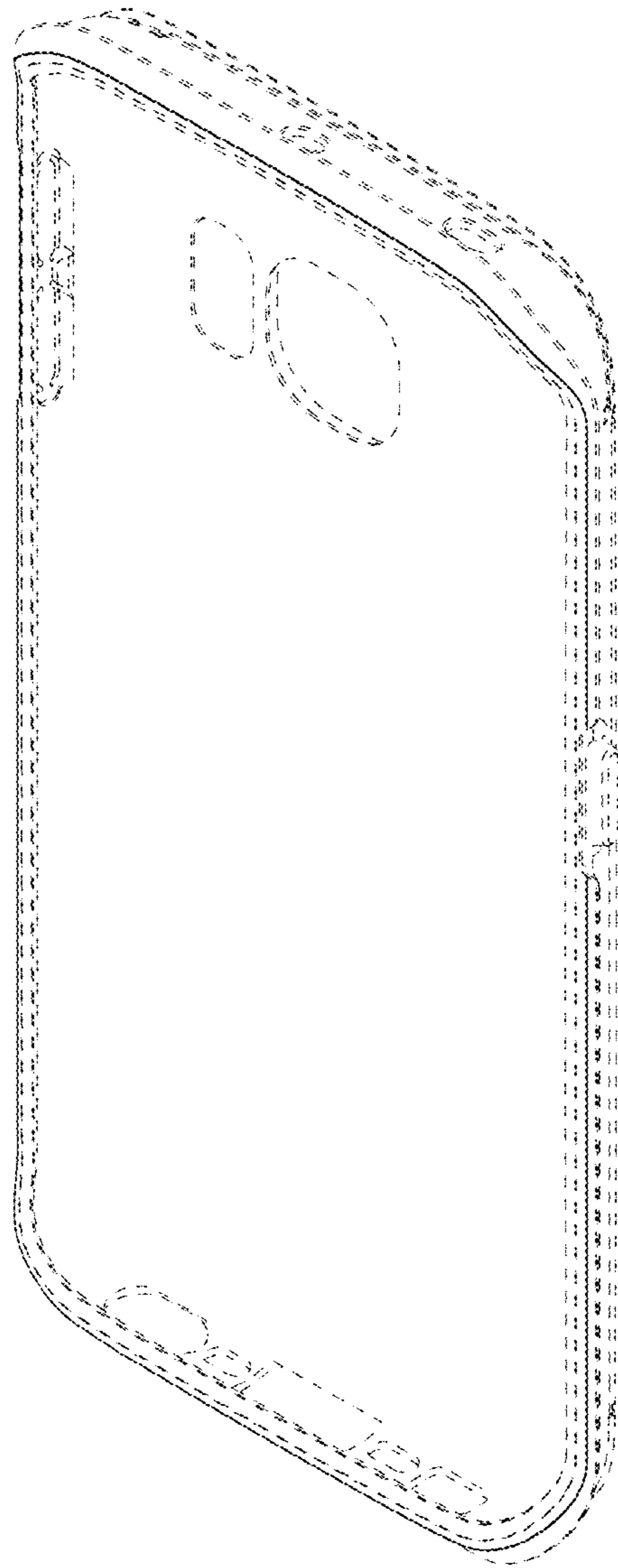


FIG. 10

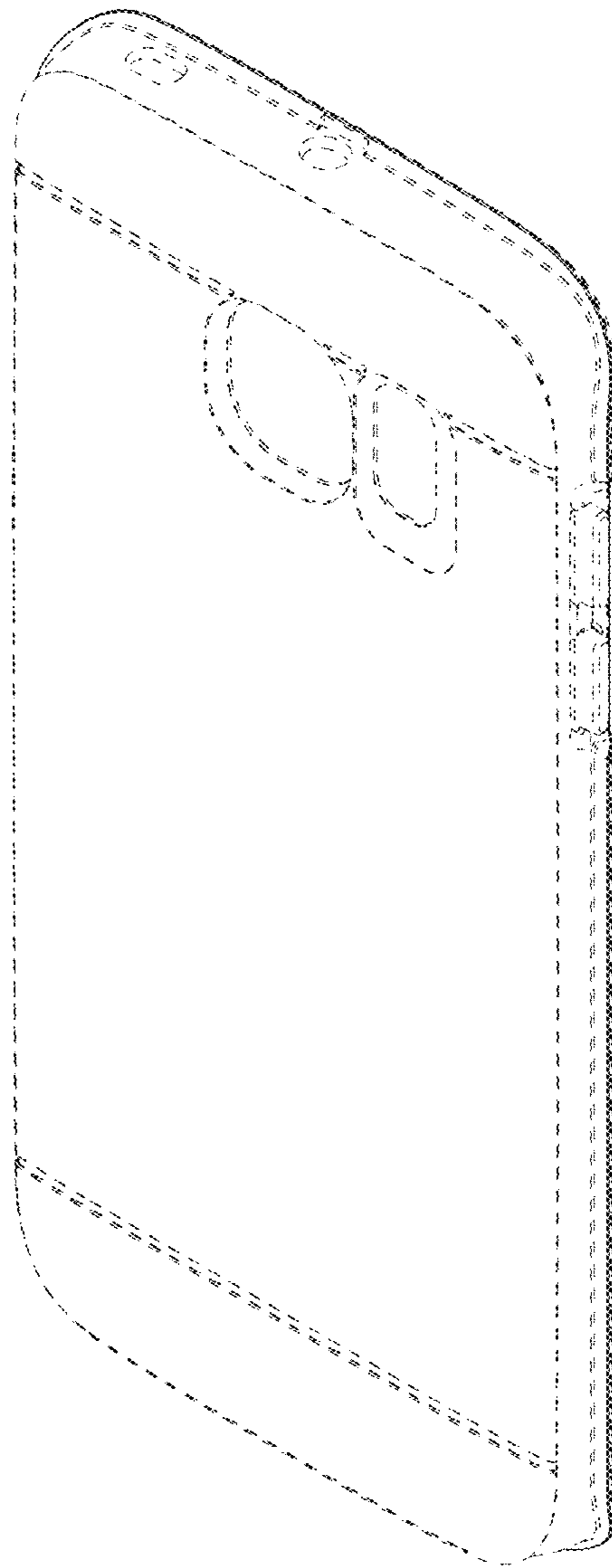


FIG. 11

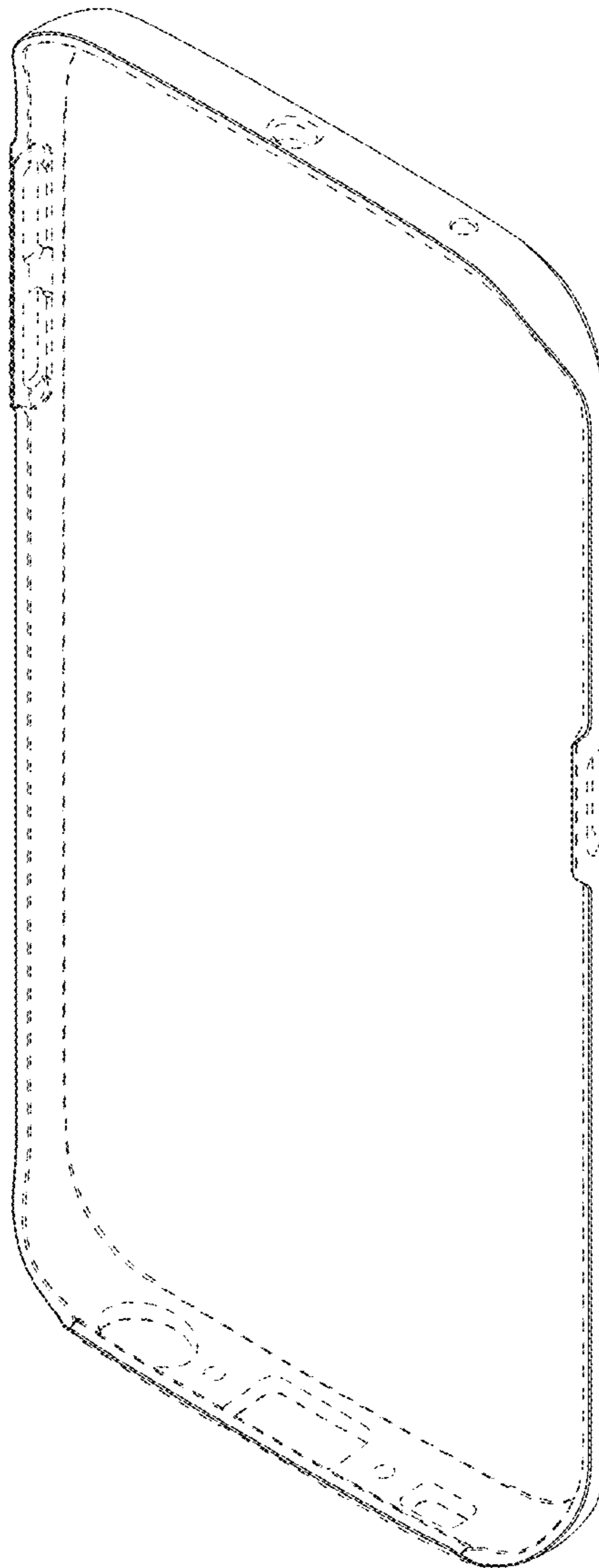




FIG. 12

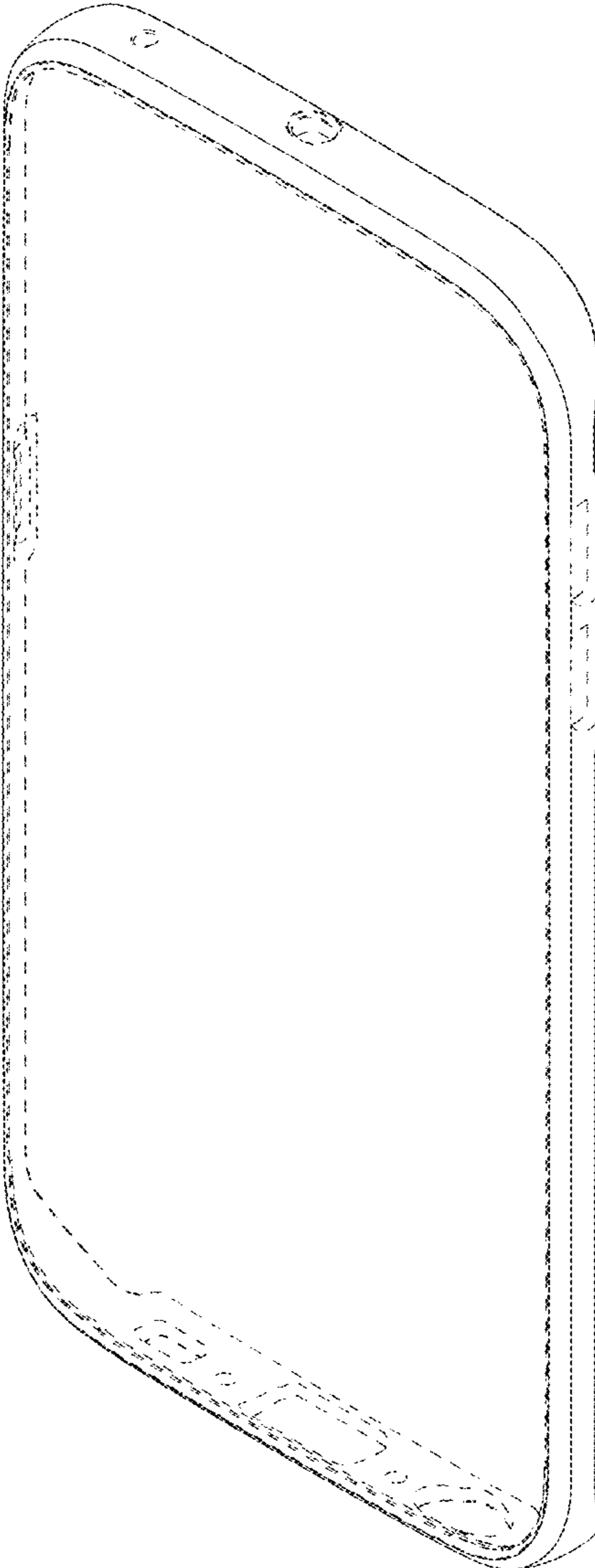


FIG. 13

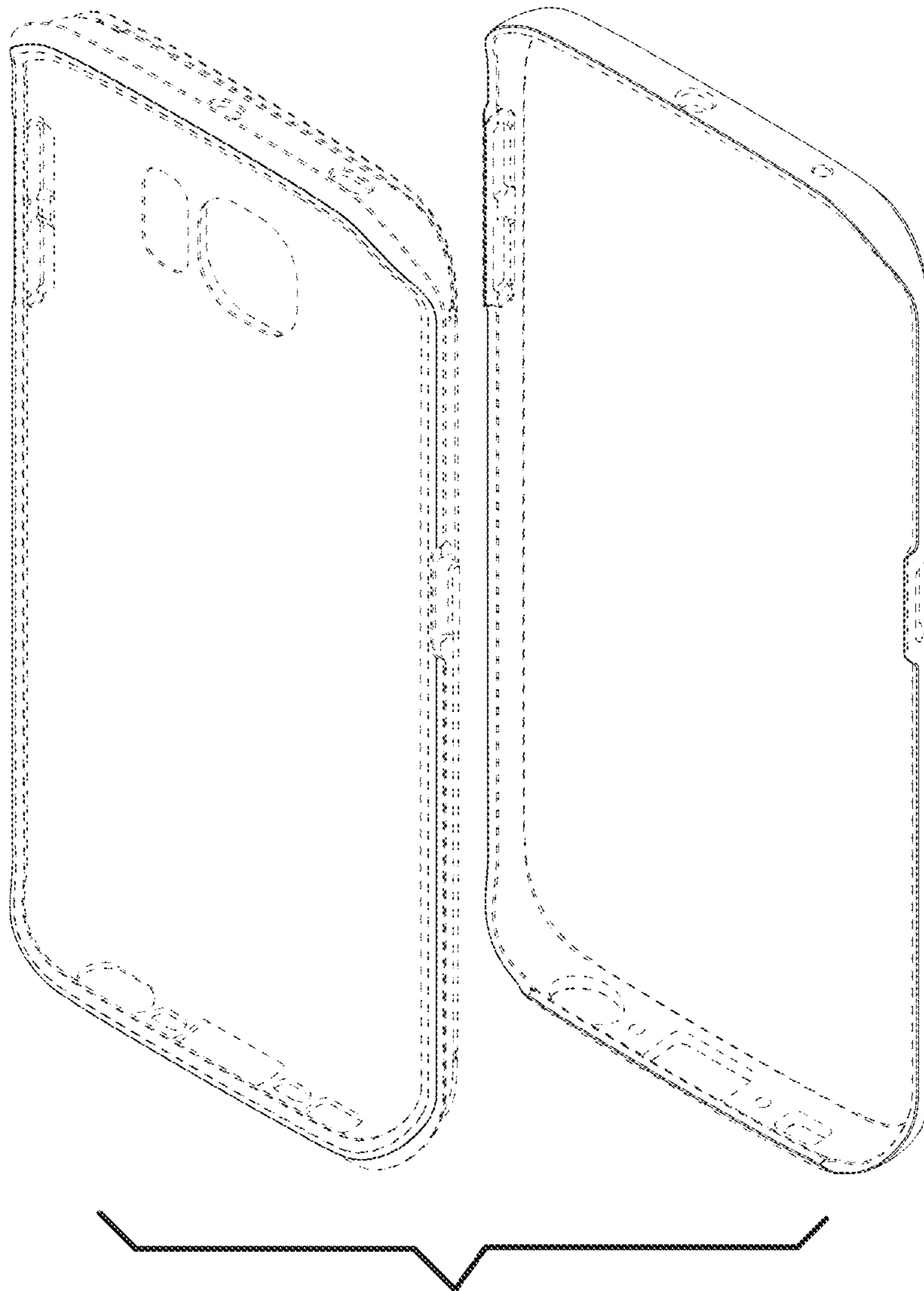


FIG. 14

