



US00D871386S

(12) **United States Design Patent**  
**Kim**

(10) **Patent No.:** **US D871,386 S**

(45) **Date of Patent:** **\*\* Dec. 31, 2019**

(54) **CASE FOR ELECTRONIC DEVICE**

(71) Applicant: **SPIGEN KOREA CO., LTD.**, Seoul (KR)

(72) Inventor: **Dae-Young Kim**, Seoul (KR)

(73) Assignee: **SPIGEN KOREA CO., LTD.**, Seoul (KR)

(\*\*) Term: **15 Years**

(21) Appl. No.: **29/649,853**

(22) Filed: **Jun. 1, 2018**

**Related U.S. Application Data**

(63) Continuation of application No. 29/594,113, filed on Feb. 15, 2017, now Pat. No. Des. 820,819, which is (Continued)

(51) **LOC (12) Cl.** ..... **14-03**

(52) **U.S. Cl.**  
USPC ..... **D14/250**

(58) **Field of Classification Search**  
USPC ..... D14/143, 189, 203.2–203.7, 217, 238.1, D14/240, 248, 250, 251–253, 440, 447, (Continued)

(56) **References Cited**

**U.S. PATENT DOCUMENTS**

D539,277 S 3/2007 Okada  
D542,286 S 5/2007 Taniyama  
(Continued)

**OTHER PUBLICATIONS**

<http://www.spigen.com/collections/galaxy-s6/products/galaxy-s6-case-tough-armor?variant=1160710157>—Earliest review date of May 12, 2015.

(Continued)

*Primary Examiner* — Khawaja Anwar

*Assistant Examiner* — Mojtaba Tehrani

(74) *Attorney, Agent, or Firm* — Heedong Chae; Lucem, PC

(57) **CLAIM**

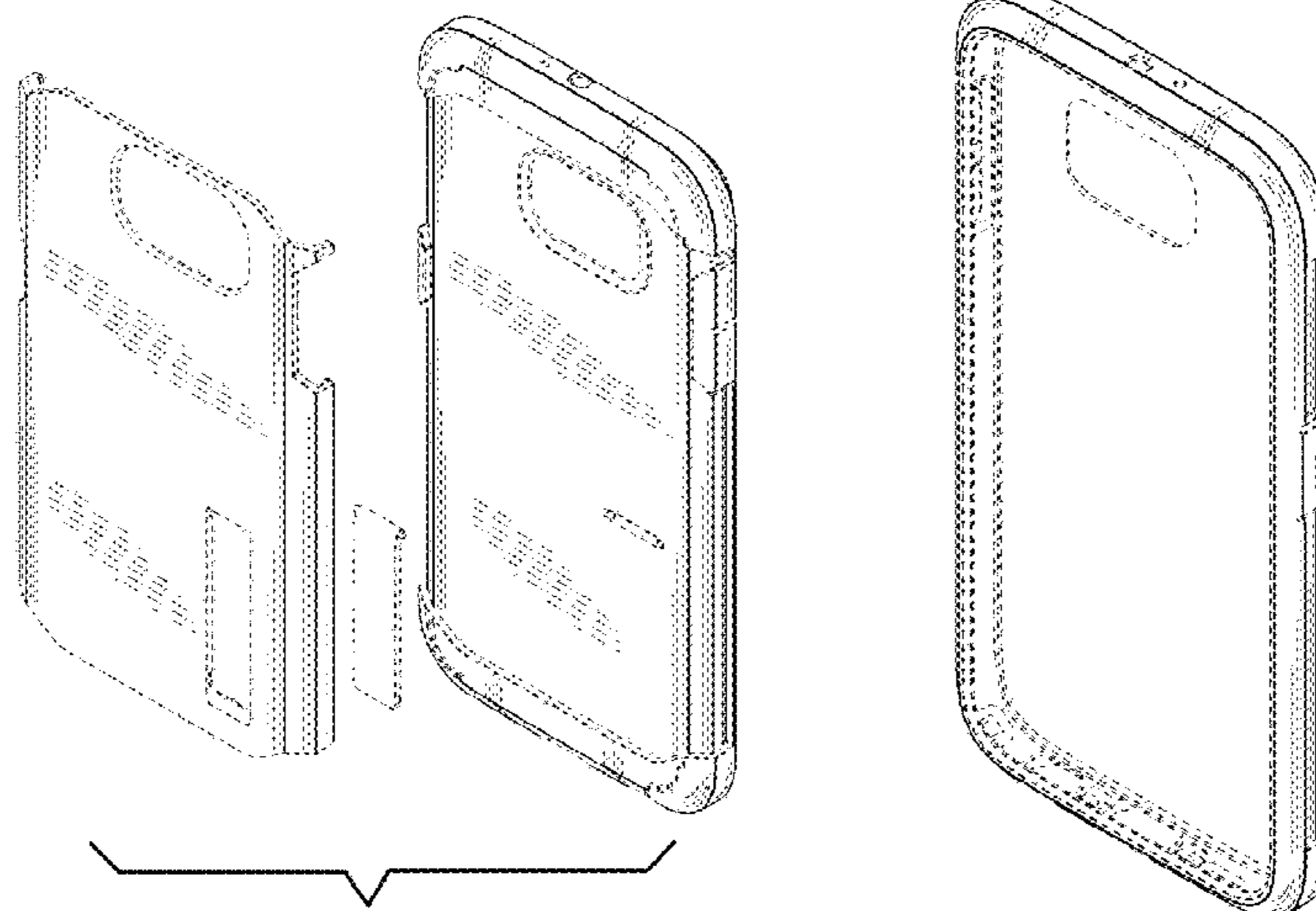
The ornamental design for a case for electronic device, as shown and described.

**DESCRIPTION**

FIG. 1 is a front perspective view of a case for electronic device showing my new design; FIG. 2 is a rear perspective view thereof; FIG. 3 is a front elevational view thereof; FIG. 4 is a rear elevational view thereof; FIG. 5 is a left side elevational view thereof; FIG. 6 is a right side elevational view thereof; FIG. 7 is a top plan view thereof; FIG. 8 is a bottom plan view thereof; FIG. 9 is a rear perspective view thereof with a support leg extended; FIG. 10 is an exploded rear perspective view thereof, showing an inner shell, the support leg, and an outer frame; FIG. 11 is a front perspective view of the inner shell of the case; FIG. 12 is a rear perspective view of the inner shell of the case; FIG. 13 is a rear perspective view of the support leg of the case; FIG. 14 is a front perspective view of the support leg of the case; FIG. 15 is a front perspective view of the outer frame of the case; and, FIG. 16 is a rear perspective view of the outer frame of the case.

The broken line in the drawings depicts unclaimed portion of the case only and forms no part of the claimed design.

**1 Claim, 16 Drawing Sheets**



**Related U.S. Application Data**

a continuation of application No. 29/569,939, filed on Jul. 1, 2016, now Pat. No. Des. 797,094, which is a continuation of application No. 29/518,091, filed on Feb. 19, 2015, now Pat. No. Des. 789,344.

**(58) Field of Classification Search**

USPC ..... D14/496; D13/103, 107–108, 119; D3/201, 218, 247, 269, 273, 301, 303  
 CPC ..... A45C 1/06; A45C 11/00; A45C 13/02; A45C 2011/002; A45F 2005/026; A45F 2200/0525; A45F 2200/0516; H04B 1/3888; H04M 1/0283; H04M 1/0202

See application file for complete search history.

**(56) References Cited**

## U.S. PATENT DOCUMENTS

D613,761 S	4/2010	Jones	
D613,762 S	4/2010	Jones	
D613,763 S	4/2010	Jones	
D614,668 S	4/2010	Jones	
D619,361 S	7/2010	Andre	
D646,265 S	10/2011	Fathollahi	
D650,371 S	12/2011	Wibby	
D676,035 S	2/2013	Chang	
D677,249 S	3/2013	Li	
D679,271 S	4/2013	Liu	
D681,615 S	5/2013	Fathollahi	
8,517,172 B1	8/2013	Chang	
8,706,176 B1	4/2014	Jia	
D706,254 S	6/2014	Chang	
D709,871 S	7/2014	Lee	
D721,071 S	1/2015	Nelson	
D727,883 S	4/2015	Brand	
D732,012 S	6/2015	Tsai	
9,049,283 B1	6/2015	Kim	
D749,068 S	2/2016	Zaborski	
D749,535 S	2/2016	Joung	
D753,099 S *	4/2016	Kim	D14/250
D755,764 S	5/2016	Dong	
D755,772 S	5/2016	Sasaki	
D756,339 S	5/2016	Tussy	
D756,340 S	5/2016	Babichenko	
D756,343 S	5/2016	Wall et al.	
D756,909 S	5/2016	Gupta	
D756,977 S	5/2016	Schriefer	
D756,978 S	5/2016	Addonisio	
D756,980 S	5/2016	Beeman	
D757,703 S	5/2016	Kanazawa	
D759,641 S	6/2016	Lai et al.	
D759,642 S	6/2016	Chao	
D762,633 S	8/2016	Fife	
D765,635 S	9/2016	Chang	
D765,638 S	9/2016	Gaylord	
D765,640 S	9/2016	Bulkley	
D768,615 S	10/2016	Wang	
9,467,189 B2	10/2016	Day et al.	
D771,028 S	11/2016	Kim	
D771,607 S	11/2016	Kim	
D772,858 S	11/2016	Hu	
9,503,147 B2	11/2016	Witter et al.	
D775,620 S *	1/2017	Kim	D14/250
D776,648 S *	1/2017	Kim	D14/250
D776,649 S *	1/2017	Kim	D14/250
D777,156 S *	1/2017	Kim	D14/250
9,545,140 B1	1/2017	Johnson et al.	
D778,897 S *	2/2017	Kim	D14/250
D778,898 S *	2/2017	Kim	D14/250
9,628,133 B2	4/2017	Kim	
D786,233 S *	5/2017	Kim	D14/250
D786,851 S	5/2017	Kim	
D786,854 S	5/2017	Kim	

D787,492 S	5/2017	Kim	
D788,760 S	6/2017	Kim	
D789,344 S *	6/2017	Kim	D14/250
9,675,150 B2 *	6/2017	Kim	A45C 11/182
D791,116 S	7/2017	Kim	
D796,497 S *	9/2017	Kim	D14/250
D797,094 S *	9/2017	Kim	D14/250
D798,284 S *	9/2017	Kim	D14/250
D800,713 S *	10/2017	Kim	D14/250
D802,574 S *	11/2017	Kim	D14/250
D803,206 S *	11/2017	Kim	D14/250
D806,063 S *	12/2017	Kim	D14/250
D807,338 S *	1/2018	Kim	D14/250
D808,370 S *	1/2018	Kim	D14/250
D808,375 S *	1/2018	Kim	D14/250
D808,944 S *	1/2018	Kim	D14/250
D819,012 S *	5/2018	Kim	D14/250
D819,013 S *	5/2018	Kim	D14/250
D819,014 S *	5/2018	Kim	D14/250
D820,245 S *	6/2018	Kim	D14/250
D820,819 S *	6/2018	Kim	D14/250
D822,013 S *	7/2018	Kim	D14/250
D824,376 S *	7/2018	Lee	D14/250
D828,346 S *	9/2018	Kim	D14/250
2011/0050606 A1	3/2011	Zhang	
2015/0189963 A1	7/2015	Lai	
2015/0335116 A1	11/2015	Kim	
2016/0285301 A1	9/2016	Kim	
2016/0374443 A1	12/2016	Kim	
2017/0230072 A1 *	8/2017	Kim	H04B 1/3888
2017/0244440 A1 *	8/2017	Kim	F16M 11/00

## OTHER PUBLICATIONS

<http://www.spigen.com/collections/galaxy-s7/products/galaxy-s7-case-tough-armor-1?variant=12163553089>—Product review date of Mar. 8, 2016.

[http://www.amazon.com/Spigen%C2%AE-Gunmetal-Extreme-Protection-Protective/dp/B01A7IDNWQ/ref=pd\\_sim\\_107\\_5?ie=UTF8](http://www.amazon.com/Spigen%C2%AE-Gunmetal-Extreme-Protection-Protective/dp/B01A7IDNWQ/ref=pd_sim_107_5?ie=UTF8)—Earliest review date of Feb. 17, 2016.

<https://www.amazon.com/Spigen-Gunmetal-EXTREME-Protection-Samsung/dp/B00I3UWDV8/>—Available as early as Mar. 9, 2014. “Spigen Slim Armor iPhone SE / 5S / 5 Case with Advanced Drop Protection and Dual Layer Design for iPhone SE / iPhone 5S / iPhone 5—Metal Slate”, <https://www.amazon.com/dp/B00DD62R40>, Earliest review date of Dec. 14, 2012, Downloaded on Sep. 18, 2018.

“Spigen Slim Armor View Galaxy S4 Case with Automatic Sleep / Wake Feature for Galaxy S4 2013—Soul Black”, <https://www.amazon.com/Spigen-Armor-Galaxy-Automatic-Feature/dp/B00DCCVS5Y>, Earliest review date of Mar. 18, 2013, Downloaded on Feb. 19, 2019.

“Spigen Tough Armor iPhone SE/5S/5 Case with Extreme Heavy Duty Protection and Air Cushion Technology for iPhone SE/iPhone 5S/iPhone 5—Metal Slate”, <https://www.amazon.com/Spigen-Extreme-Protection-Cushion-Technology/dp/B00DMKGPP4>, Earliest review date of Aug. 1, 2013, Downloaded on Aug. 9, 2018.

“Spigen Slim Armor Nexus 5 Case with Air Cushion Technology and Hybrid Drop Protection for Nexus 5 2013—Infinity White”, <https://www.amazon.com/Spigen-Cushion-Technology-Hybrid-Protection/dp/B00EV8Y7XI>, Earliest review date of Nov. 4, 2013, Downloaded on Jan. 16, 2019.

“Spigen Tough Armor Designed for Apple iPad Mini 3 Case, iPad Mini 2 Case, iPad Mini Case—Metal Slate”, <https://www.amazon.com/Spigen-Tough-Armor-Designed-Apple/dp/B00FRVDVXX>, Earliest review date of Dec. 27, 2013, Downloaded on Jan. 15, 2019. “Spigen Slim Armor View Galaxy S5 Case with Automatic Sleep / Wake Feature for Samsung Galaxy S5 2014—View Smooth White”, <https://www.amazon.com/Spigen-Galaxy-Automatic-Feature-Samsung/dp/B00KGG02EI>, Earliest review date of Jan. 18, 2014, Downloaded on Jan. 16, 2019.

\* cited by examiner

FIG. 1

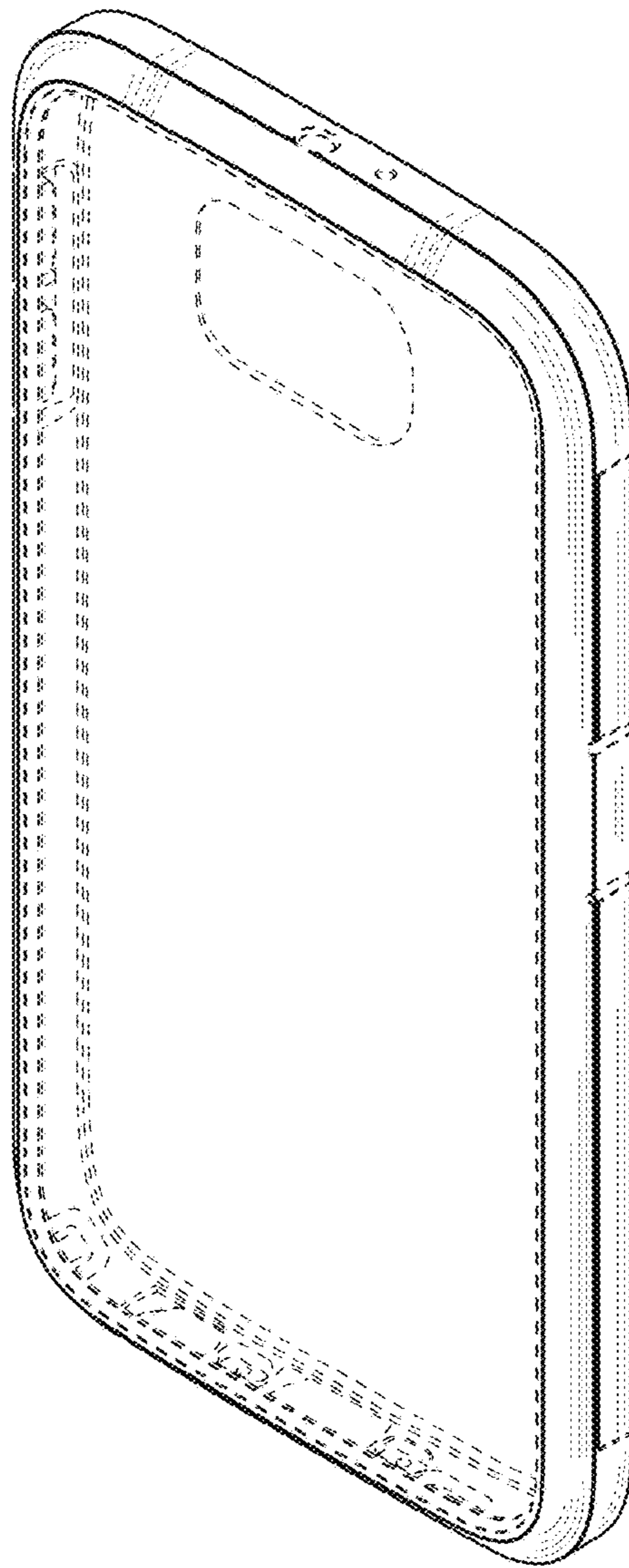


FIG. 2

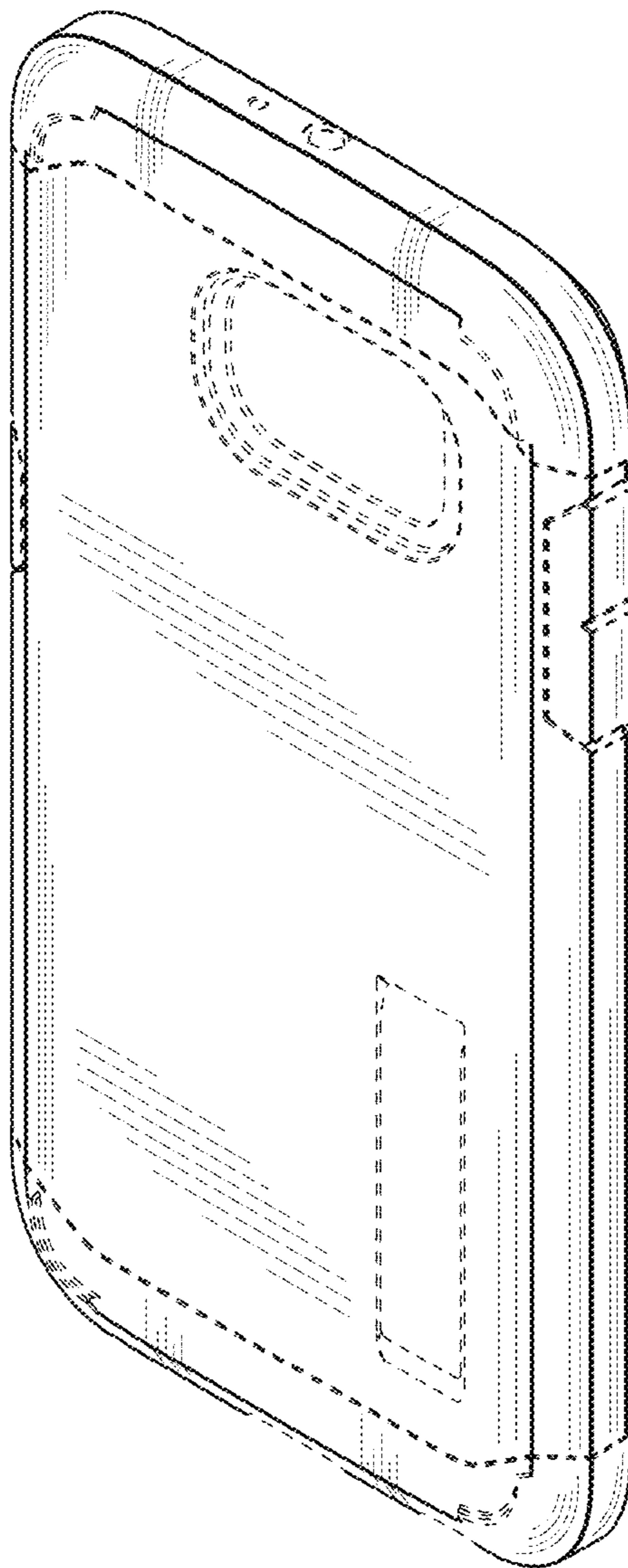


FIG. 3

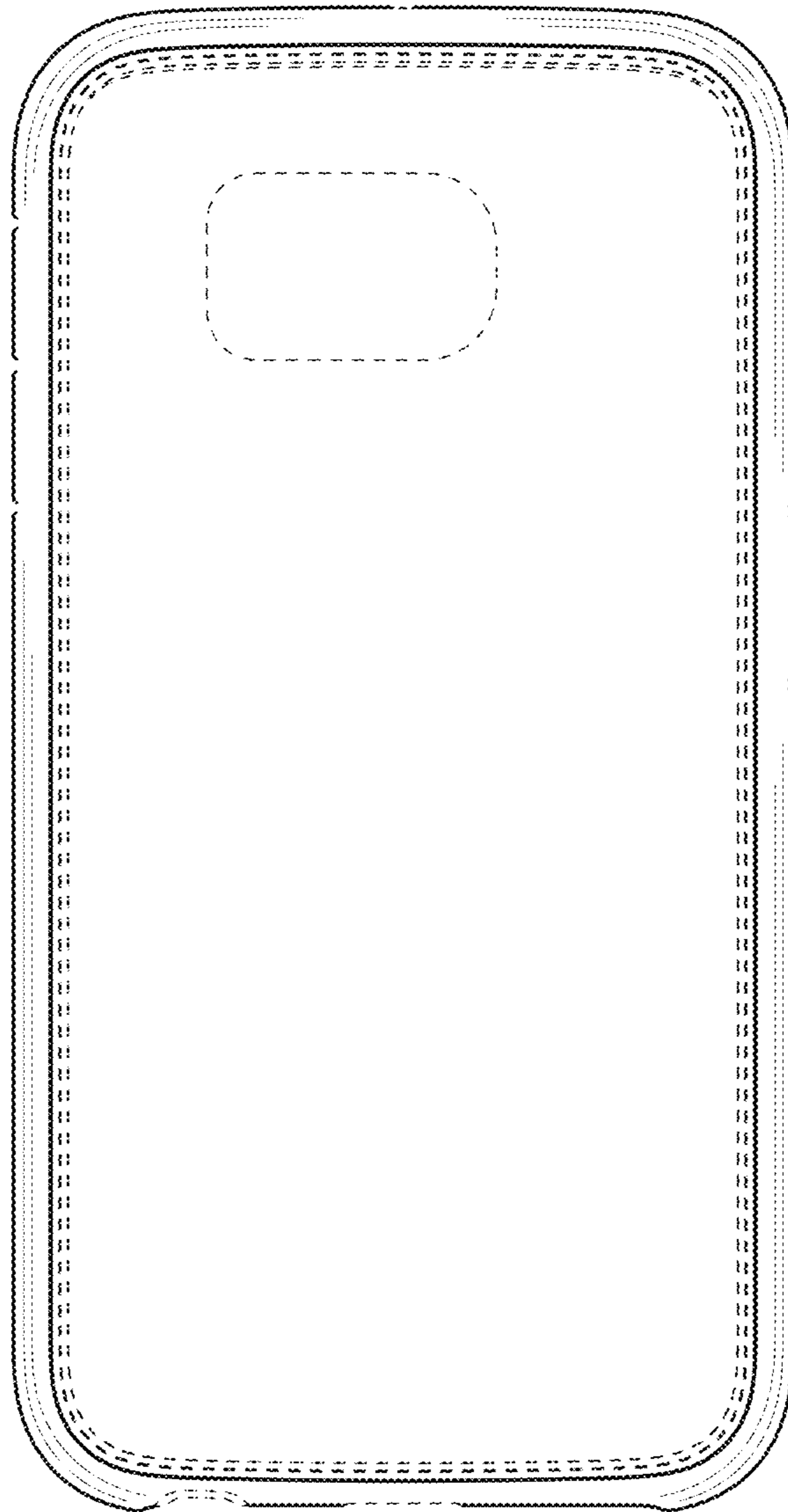


FIG. 4

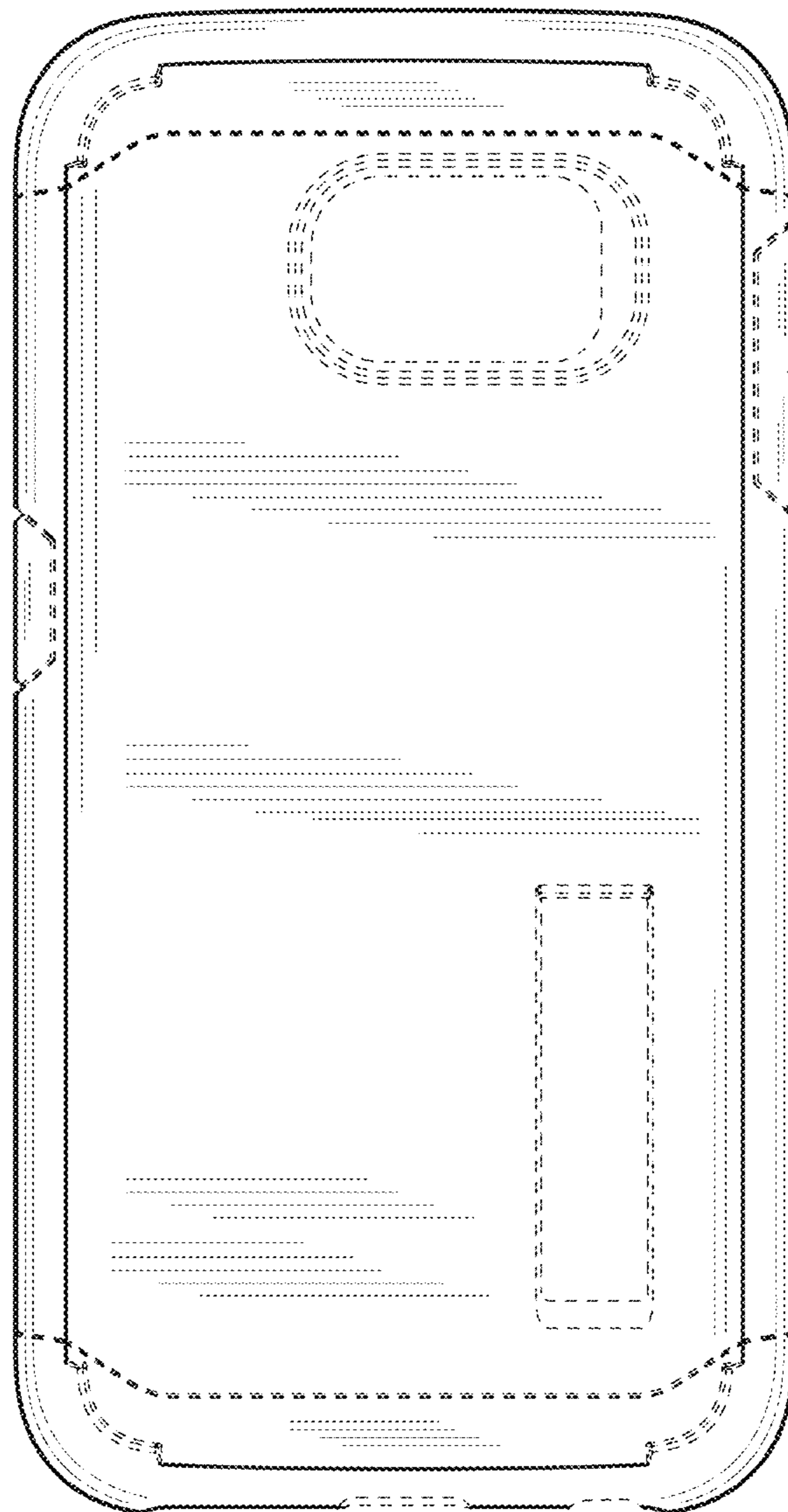


FIG. 5

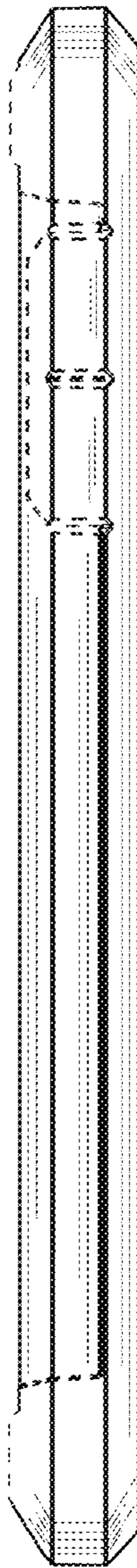


FIG. 6

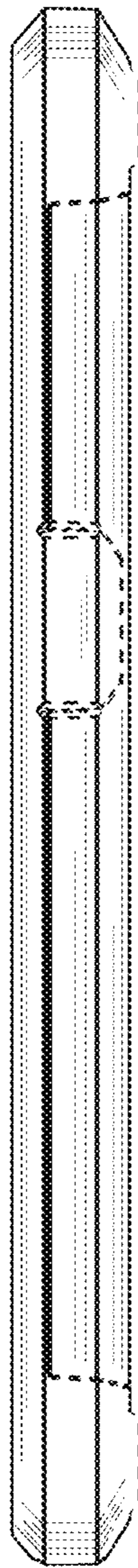




FIG. 7

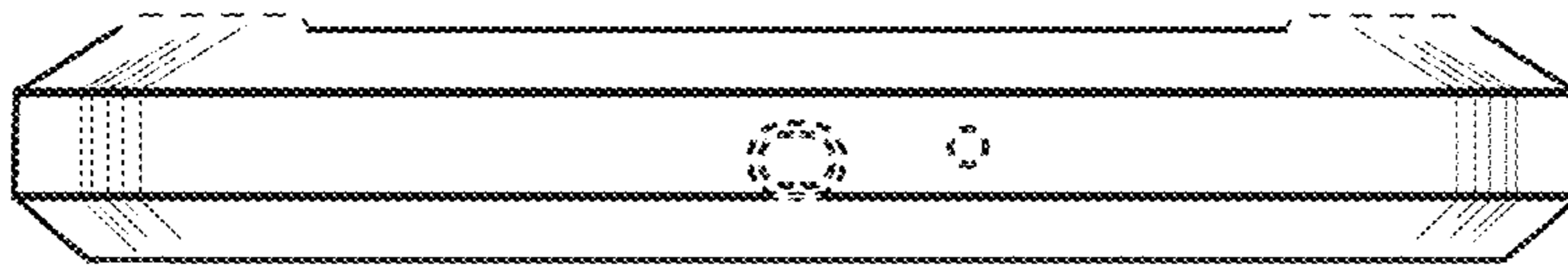


FIG. 8

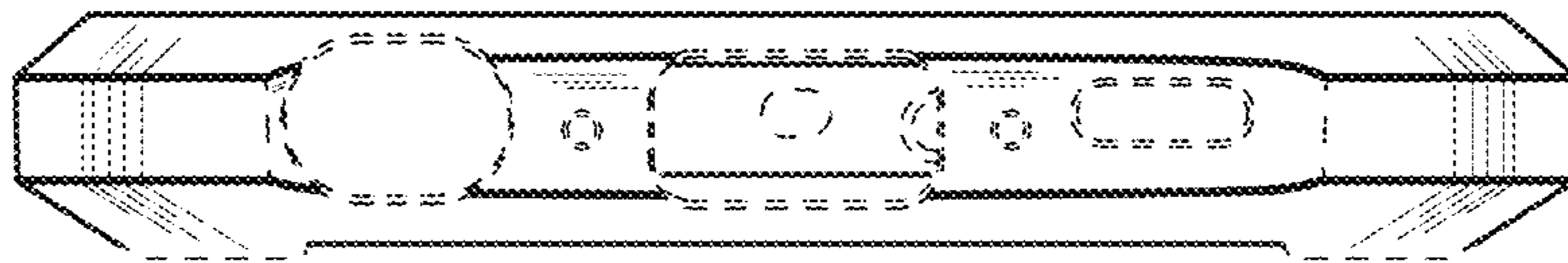


FIG. 9

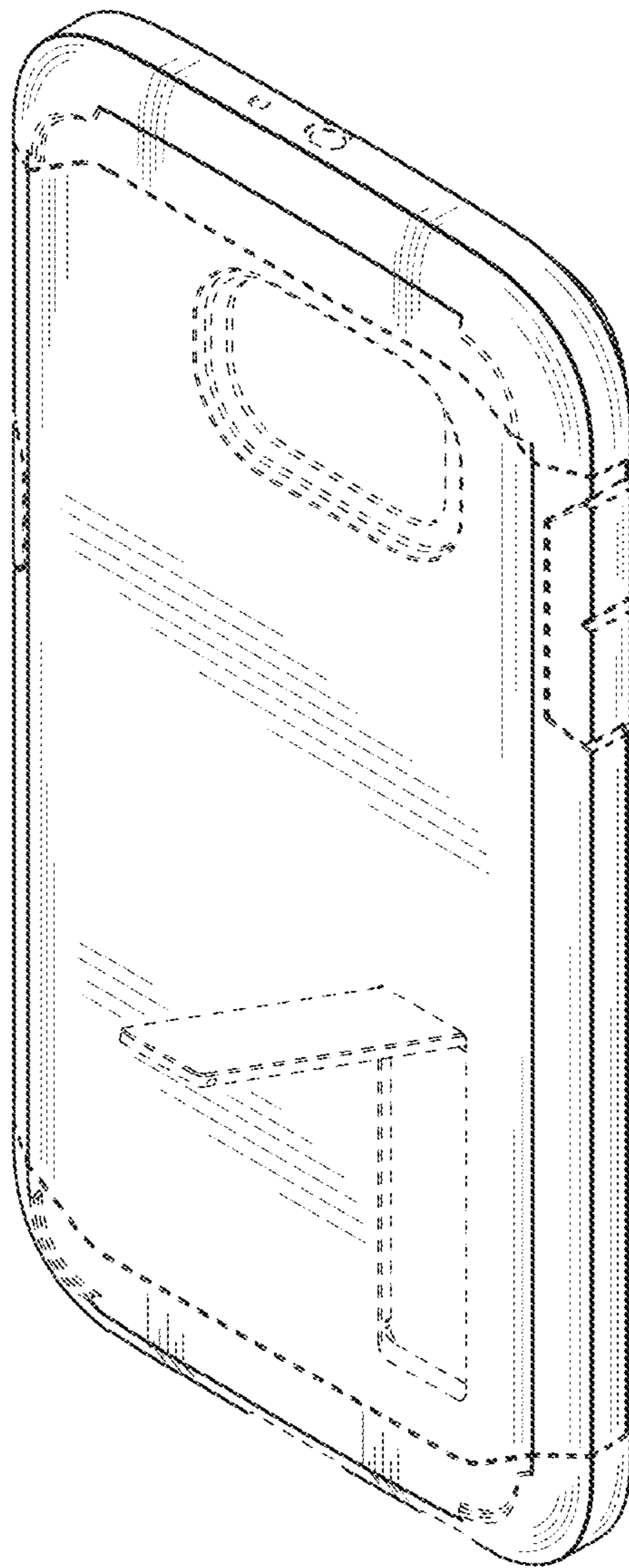


FIG. 10

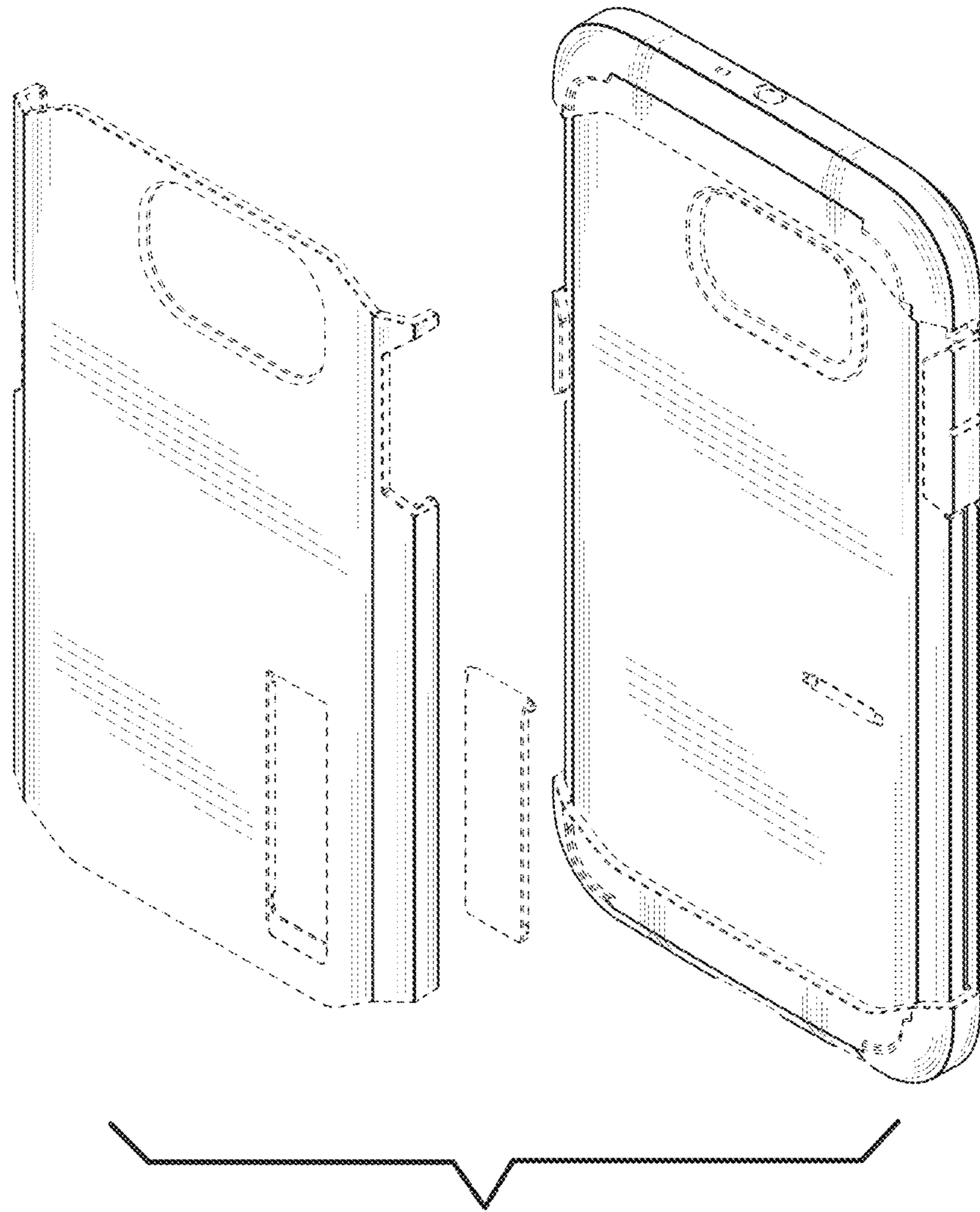


FIG. 11

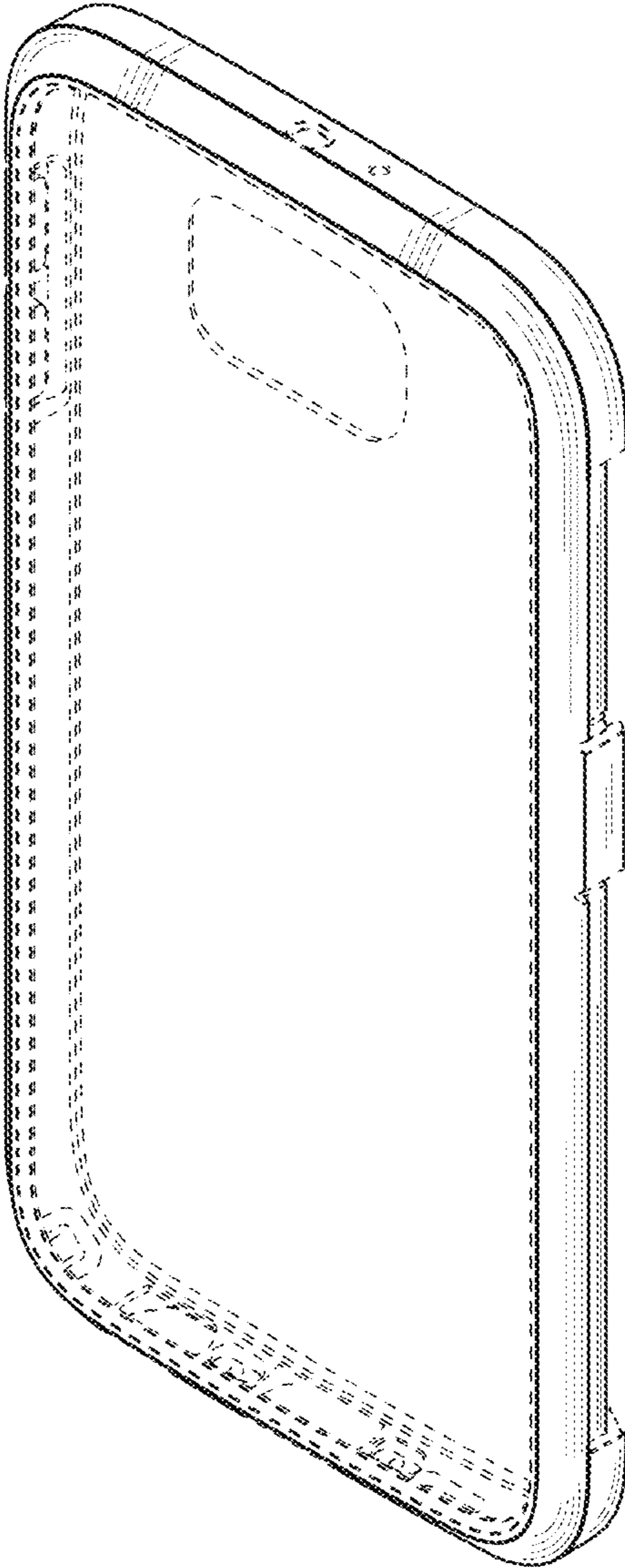


FIG. 12

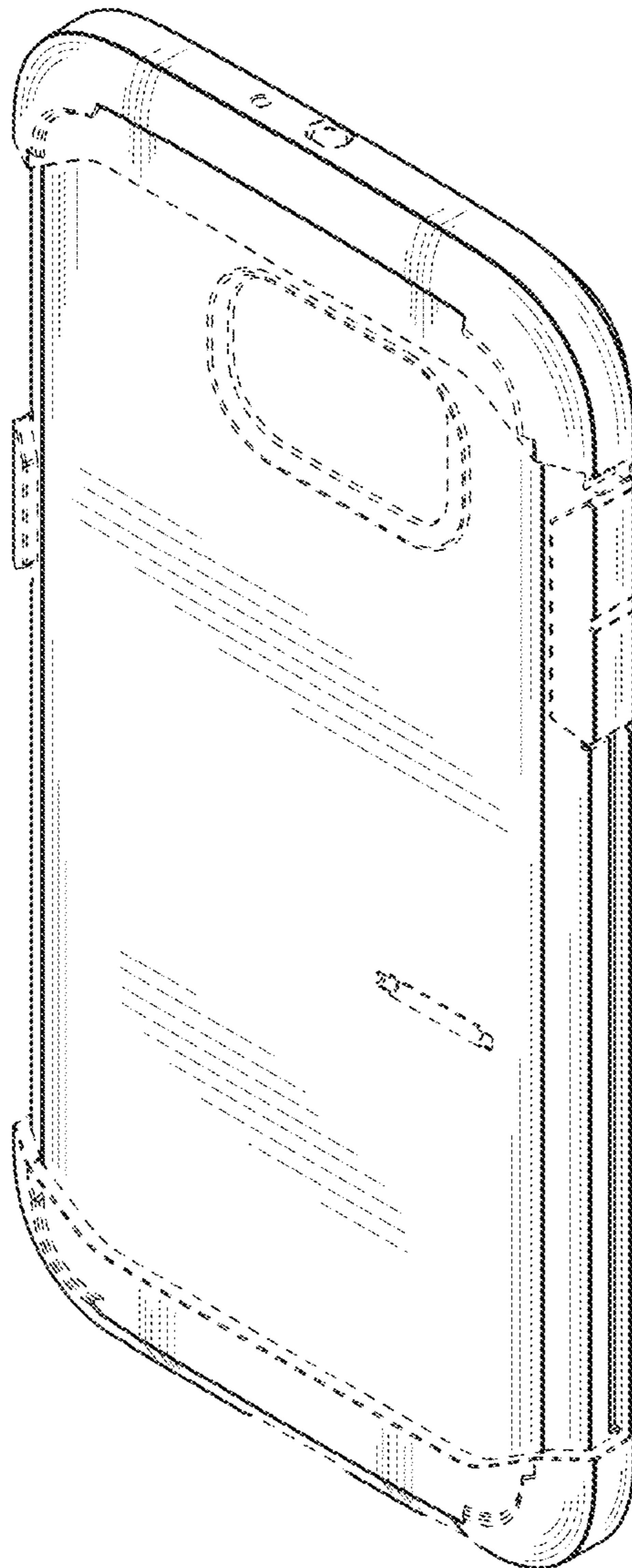


FIG. 13

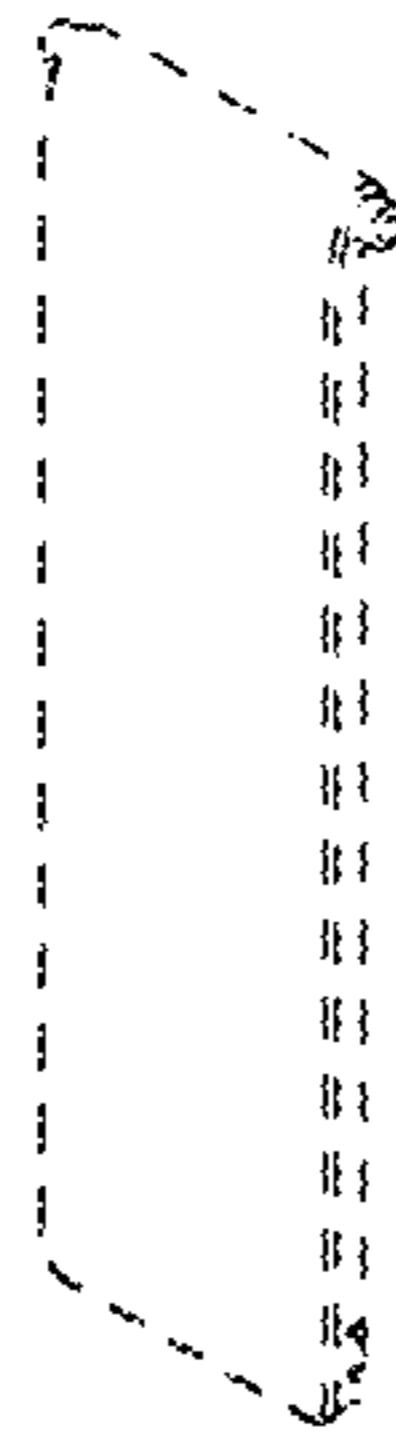


FIG. 14

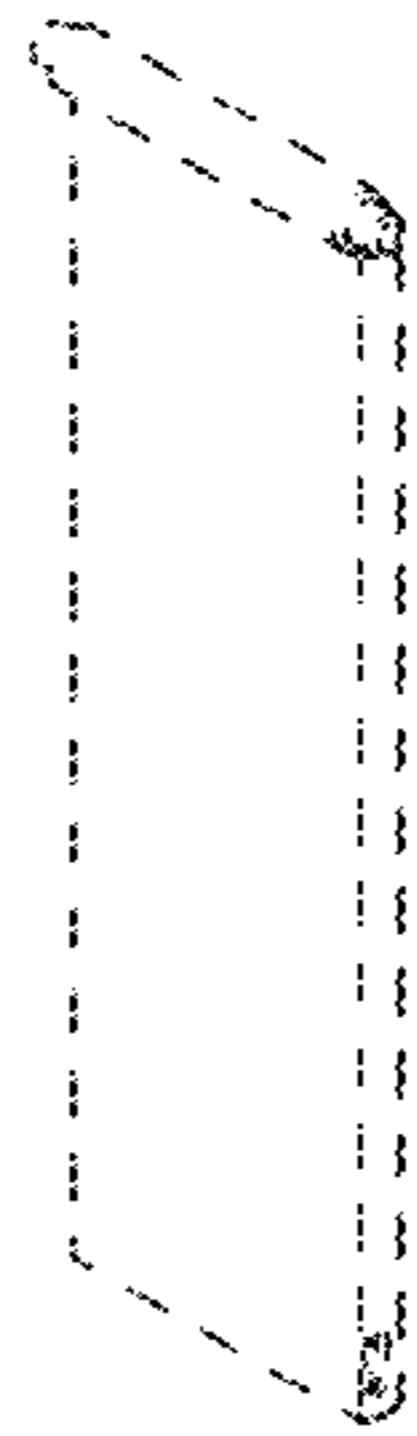




FIG. 15

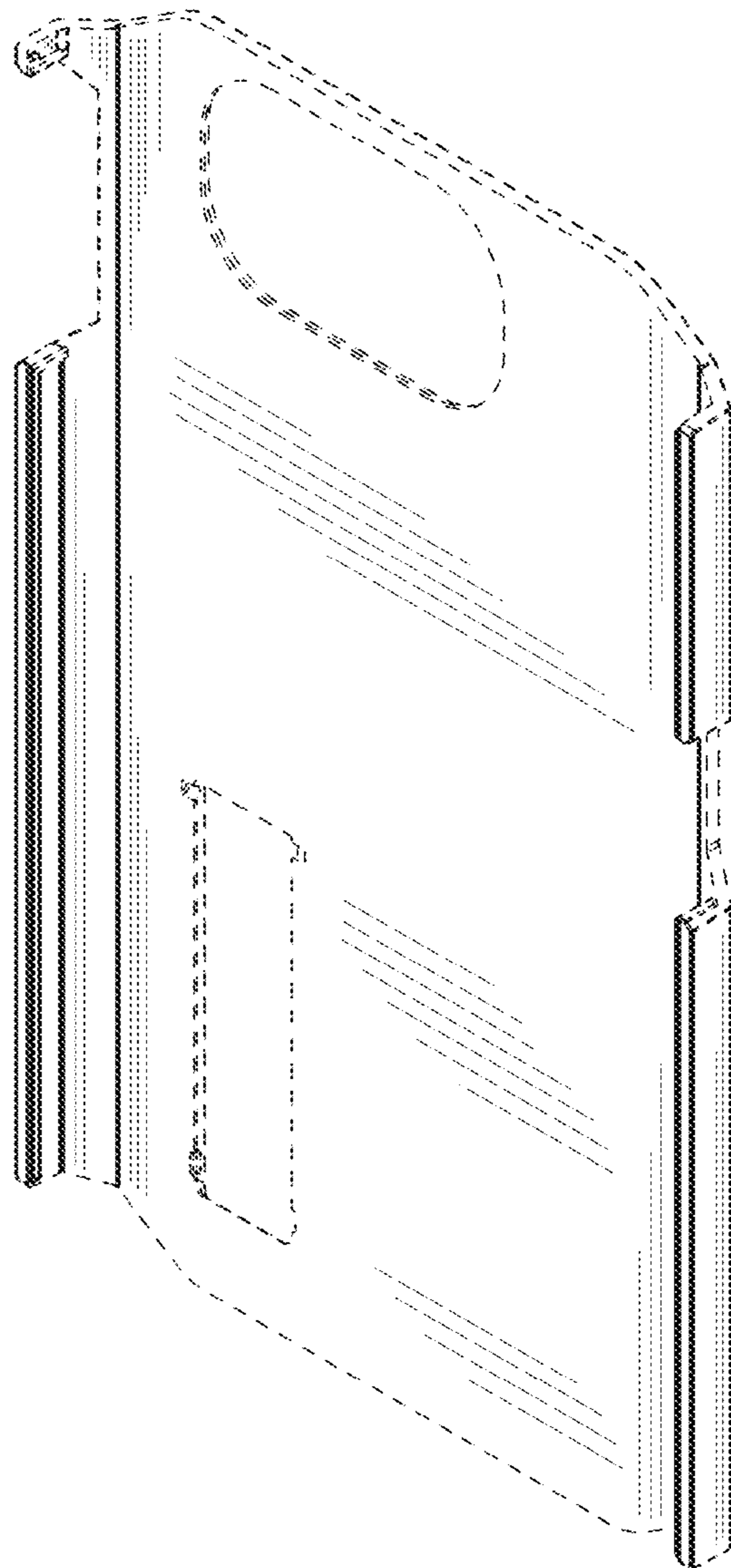


FIG. 16

