



US00D871380S

(12) **United States Design Patent** (10) **Patent No.:** **US D871,380 S**  
**Fehr** (45) **Date of Patent:** **\*\* Dec. 31, 2019**

(54) **DISPLAY MOUNT**

(71) Applicant: **CKnapp Sales, Inc.**, Goodfield, IL (US)  
(72) Inventor: **Micah Fehr**, Danvers, IL (US)  
(73) Assignee: **CKnapp Sales, Inc.**, Goodfield, IL (US)  
(\*\*) Term: **15 Years**  
(21) Appl. No.: **29/673,804**  
(22) Filed: **Dec. 18, 2018**  
(51) **LOC (12) Cl.** ..... **14-03**  
(52) **U.S. Cl.**  
USPC ..... **D14/239**  
(58) **Field of Classification Search**  
USPC ..... D14/125-134, 239, 371, 136, 374-377, D14/440, 450, 448, 336, 342, 159; 312/7.2; 348/836, 838, 180, 184, 325, 348/739; 248/917-924, 465; 345/104, 345/133, 156, 168, 87, 173; D21/329, D21/515, 577, 622, 333, 433, 448, 452, D21/450, 331, 505; D10/15, 26; 446/484, 175, 356; D6/477, 479, 300; D24/185; D34/14  
CPC ... G06F 1/1601; G06F 1/1643; H05K 5/0004; H05K 5/0017; H05K 5/02; H05K 5/0217  
See application file for complete search history.

(56) **References Cited**

U.S. PATENT DOCUMENTS

D680,523 S \* 4/2013 Tu ..... D14/253  
D703,643 S \* 4/2014 Badillo ..... D14/239  
8,827,226 B2 \* 9/2014 Townsend ..... F16M 11/10  
220/3.5  
D830,812 S \* 10/2018 Kanter ..... D8/354

\* cited by examiner

*Primary Examiner* — Randall H Gholson

(74) *Attorney, Agent, or Firm* — Hanley, Flight and Zimmerman, LLC

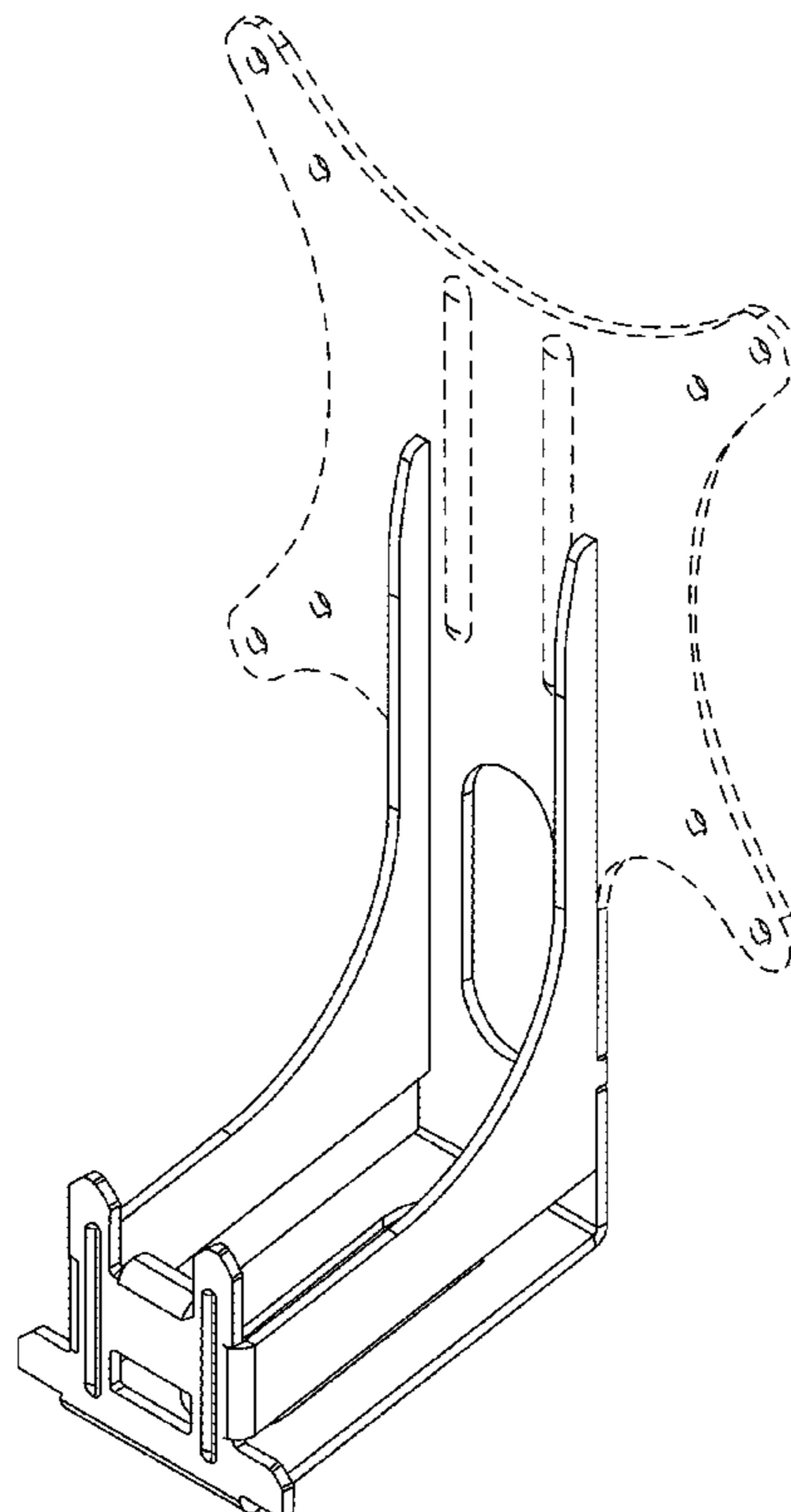
(57) **CLAIM**

The ornamental design for a “display mount”, substantially as shown and described.

**DESCRIPTION**

FIG. 1 is a first isometric view of a display mount.  
FIG. 2 is a second isometric view of the display mount of FIG. 1.  
FIG. 3 is a front view of the display mount of FIG. 1.  
FIG. 4 is a rear view of the display mount of FIG. 1.  
FIG. 5 is a top view of the display mount of FIG. 1.  
FIG. 6 is a bottom view of the display mount of FIG. 1.  
FIG. 7 is a first side view of the display mount of FIG. 1; and,  
FIG. 8 is a second side view of the display mount of FIG. 1.  
The features shown in broken lines form no part of the claimed design.

**1 Claim, 8 Drawing Sheets**



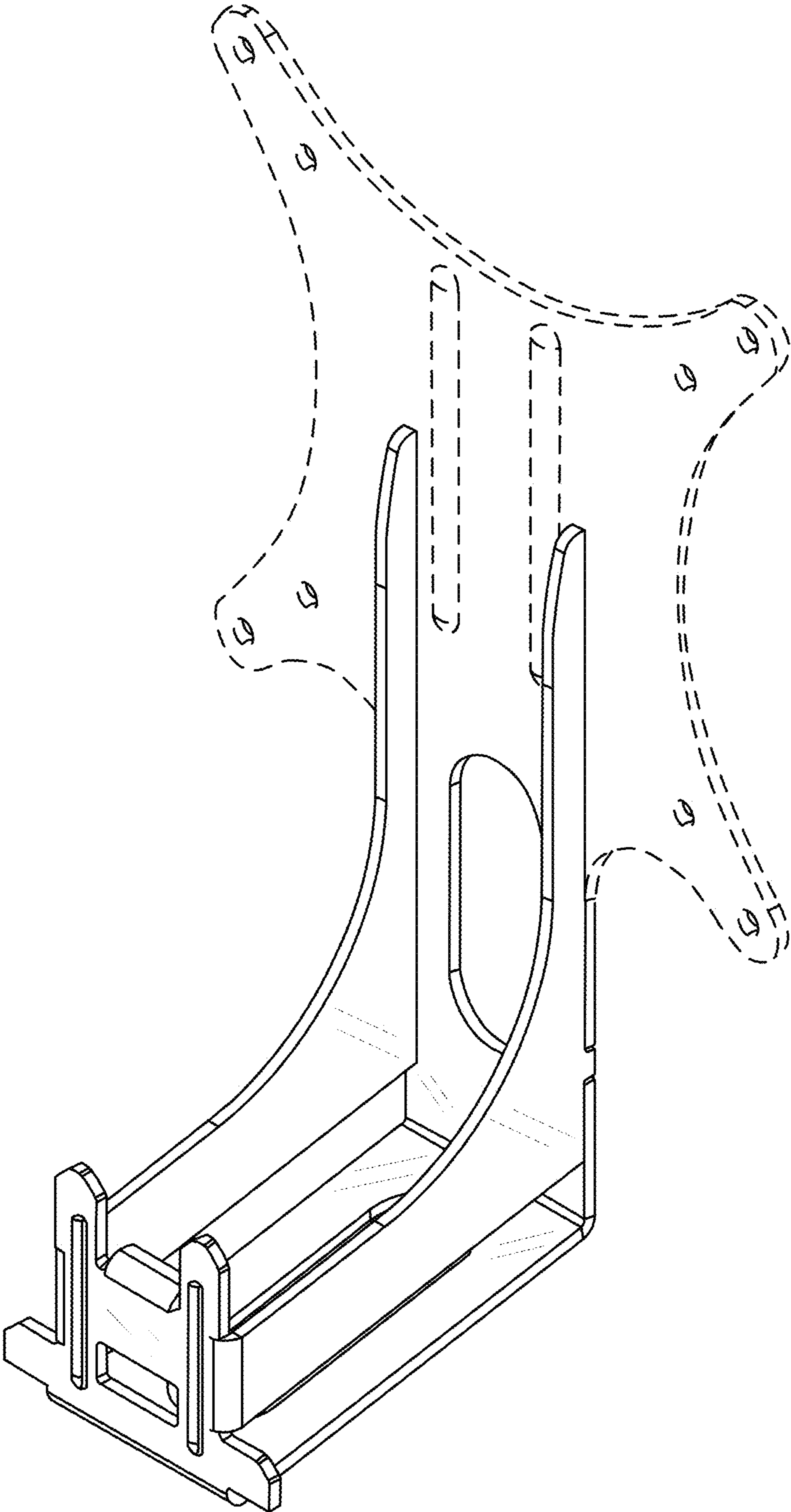


FIG. 1

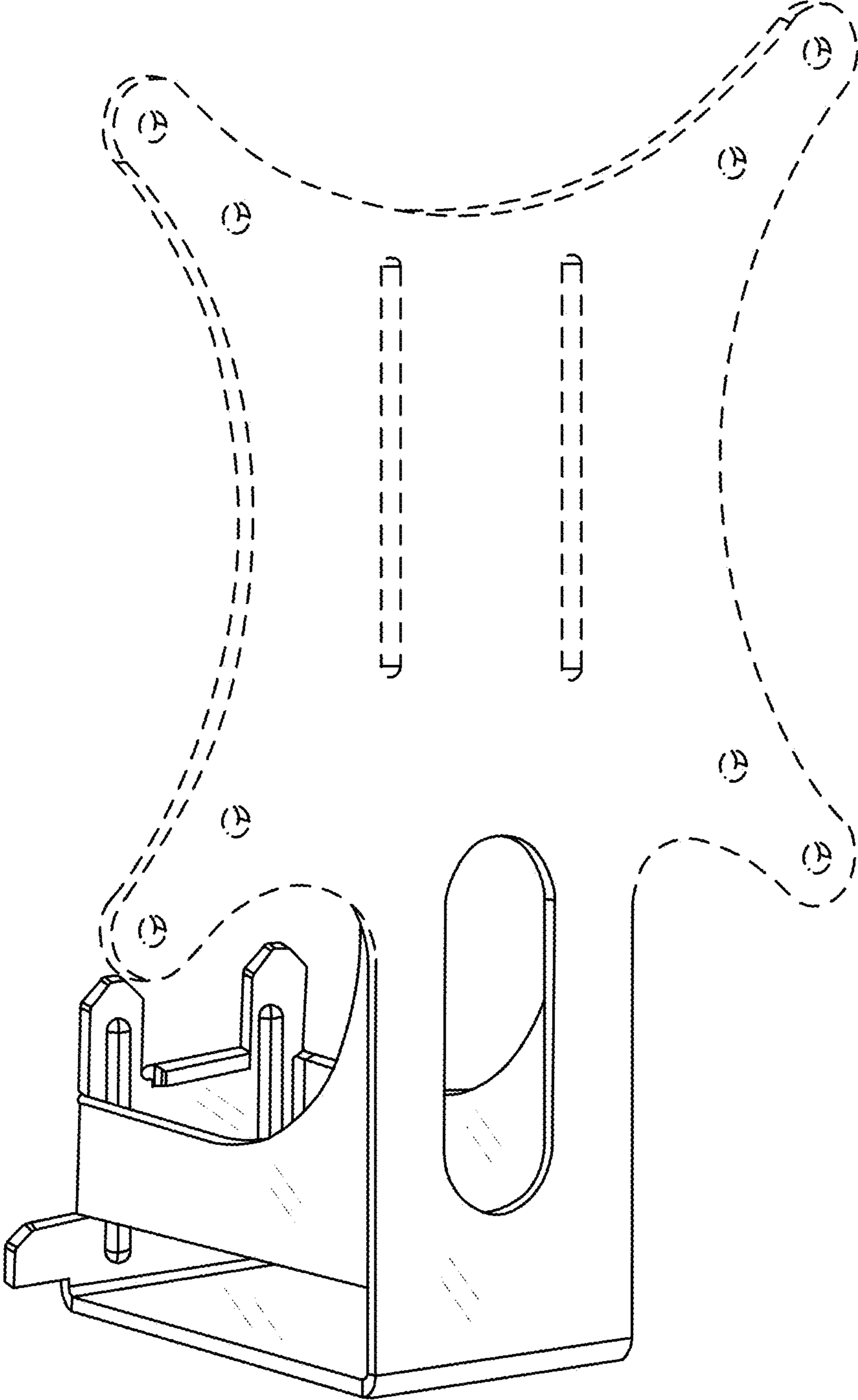


FIG. 2

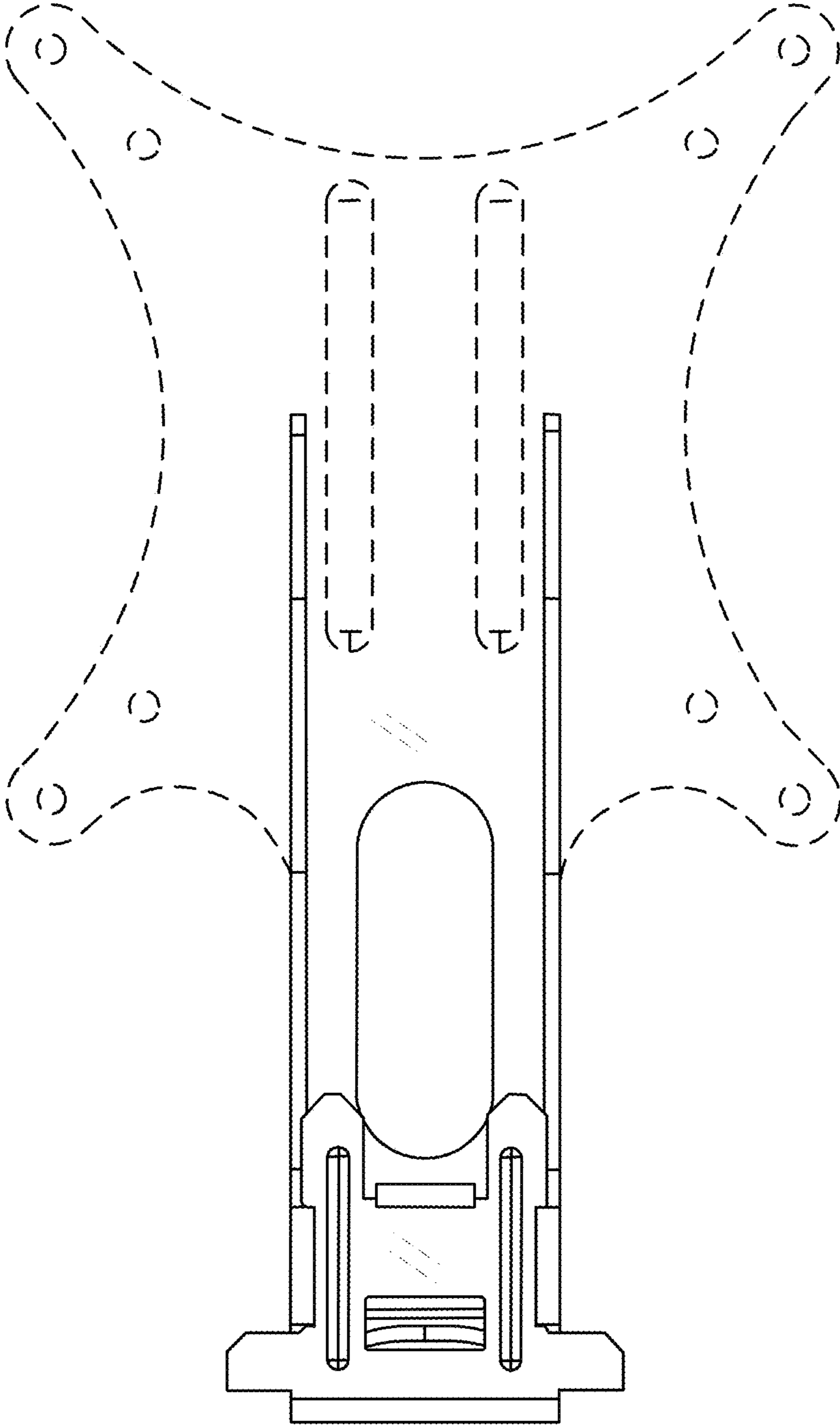


FIG. 3

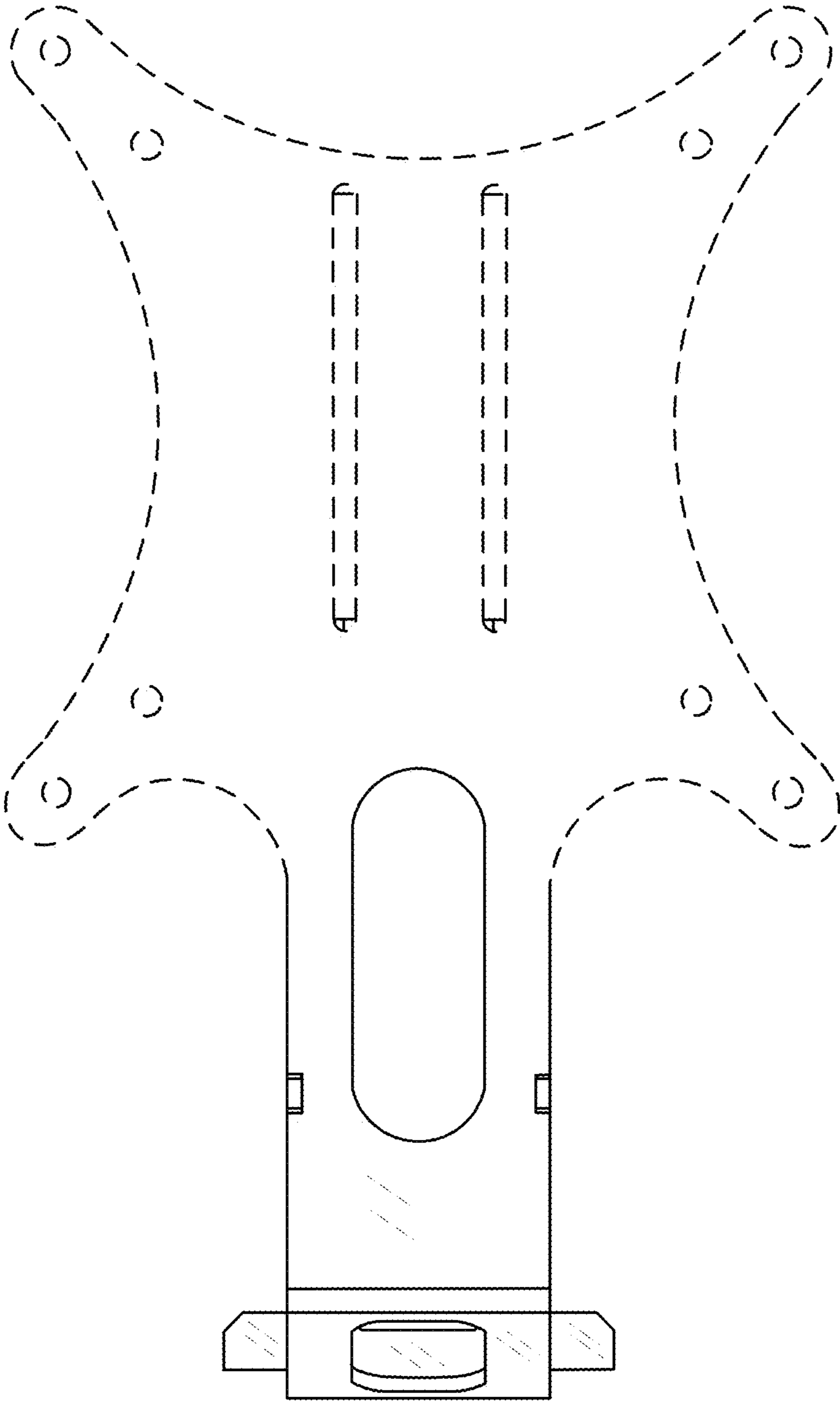


FIG. 4

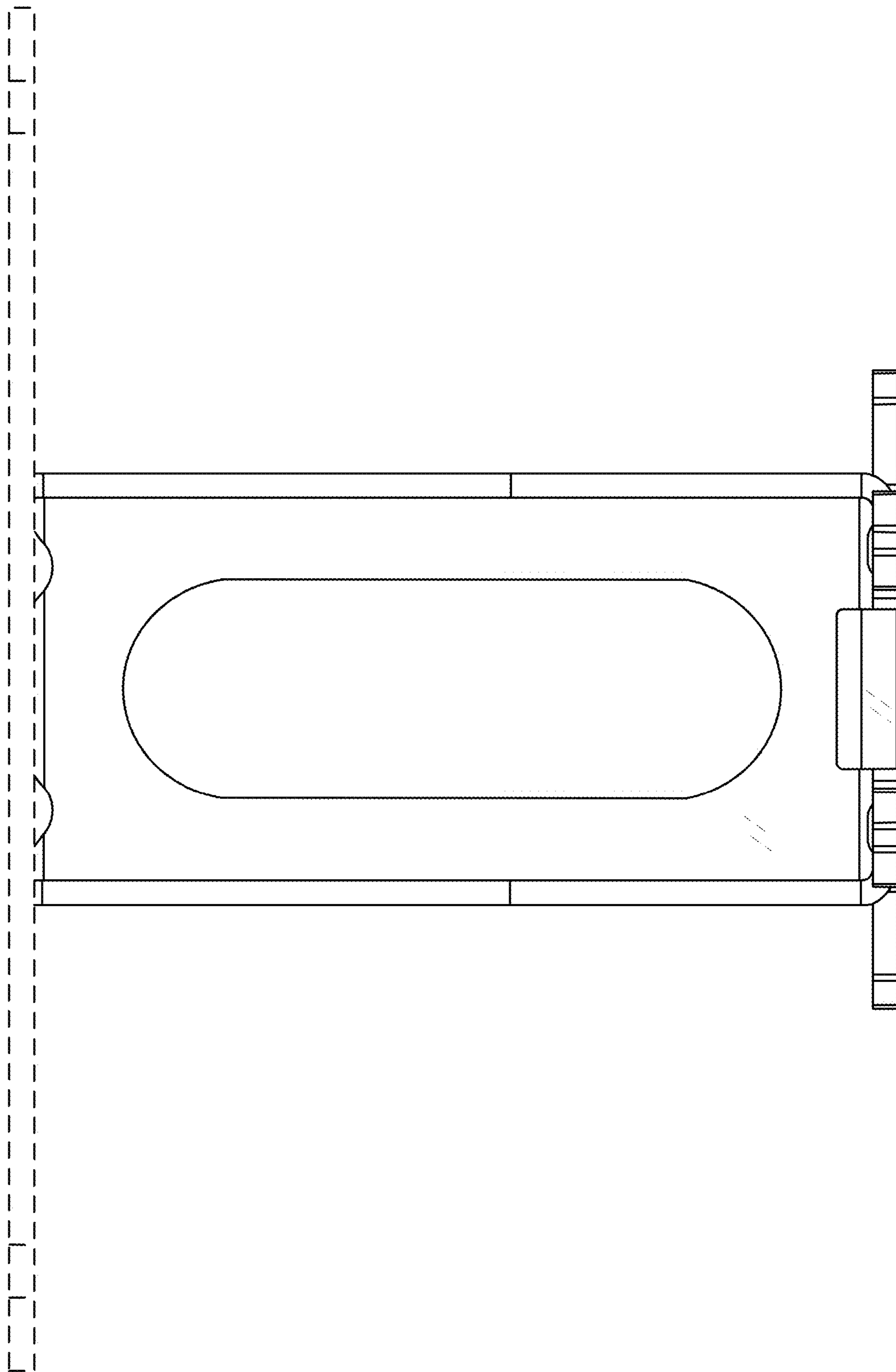


FIG. 5

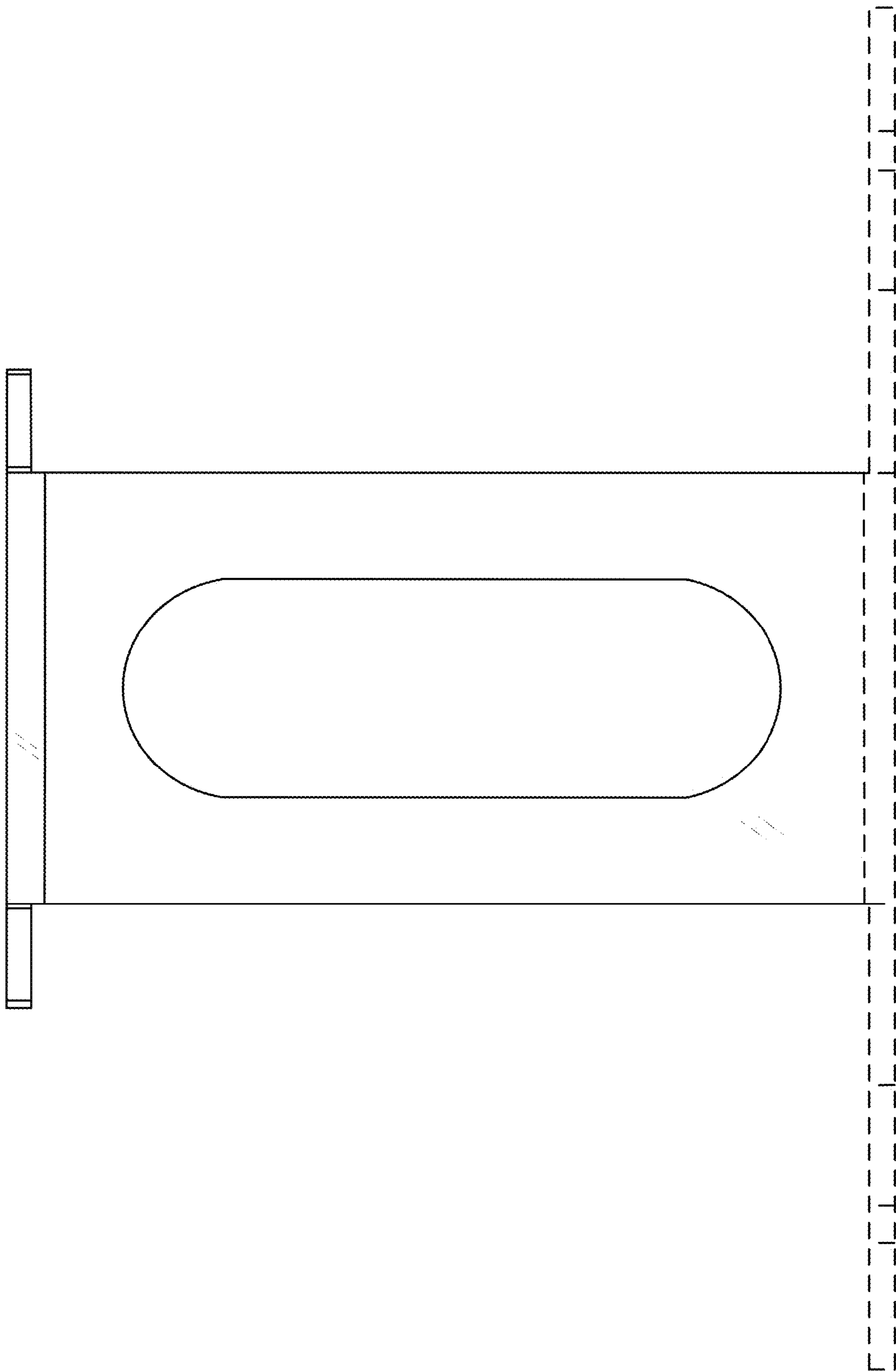


FIG. 6

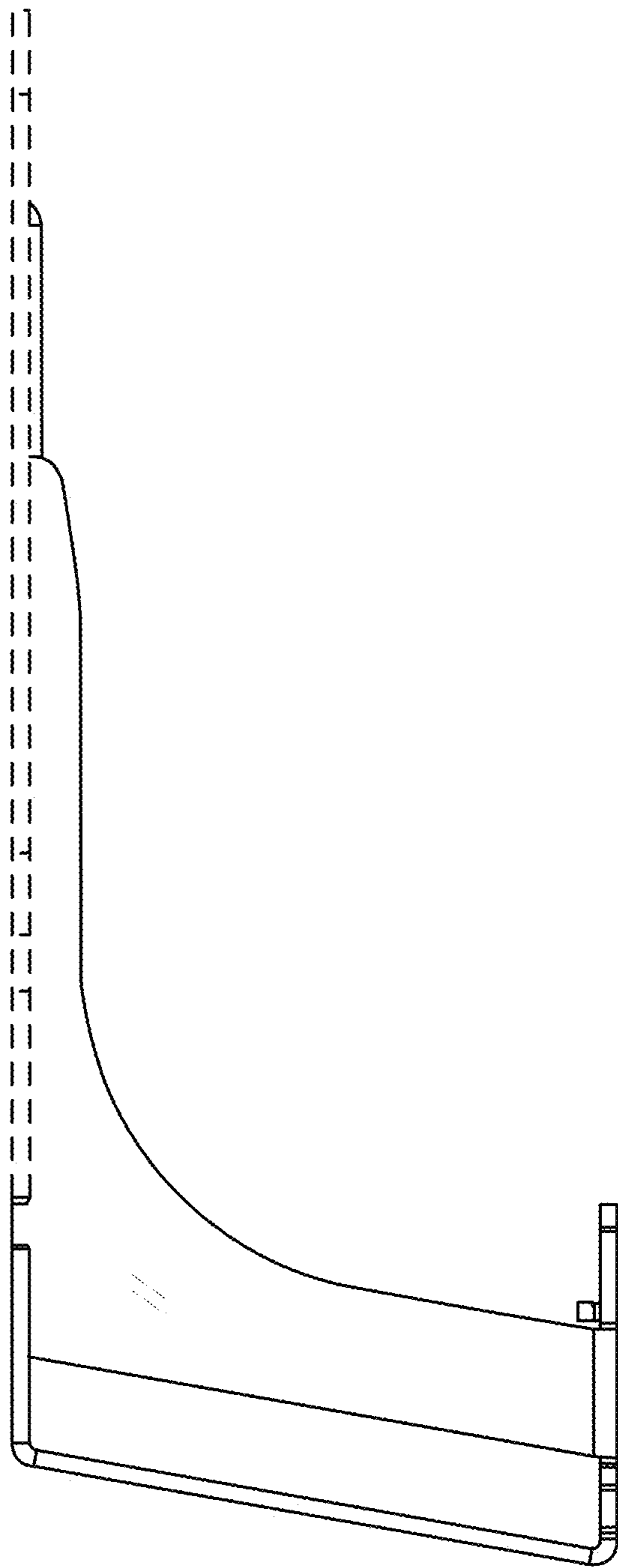


FIG. 7



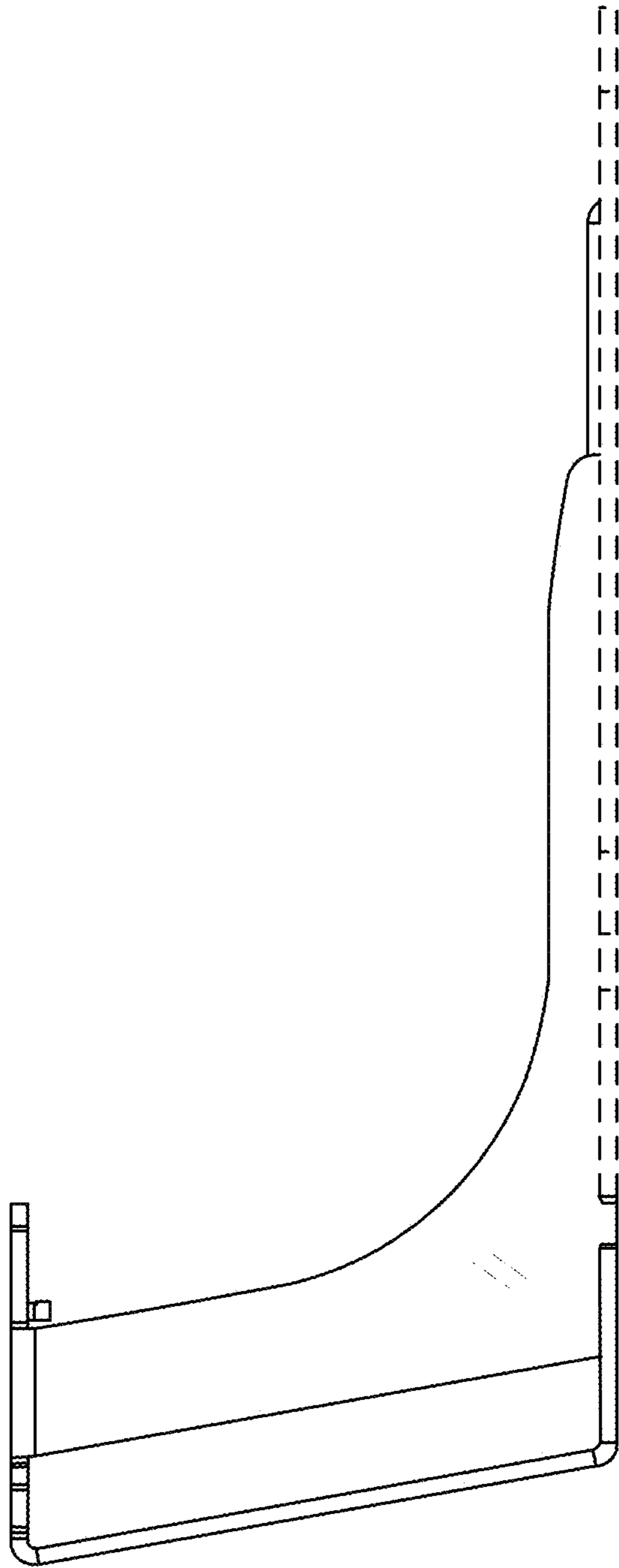


FIG. 8