



US00D871377S

(12) **United States Design Patent**  
**Wechselberger**

(10) **Patent No.:** **US D871,377 S**

(45) **Date of Patent:** **\*\* Dec. 31, 2019**

(54) **ANTENNA HOUSING**

(71) Applicant: **KATHREIN SE**, Rosenheim (DE)

(72) Inventor: **Stefan Wechselberger**, Rosenheim (DE)

(73) Assignee: **HUBER+SUHNER AG**, Herisau (CH)

(\*\*) Term: **15 Years**

(21) Appl. No.: **29/618,112**

(22) Filed: **Sep. 19, 2017**

**Related U.S. Application Data**

(63) Continuation of application No. 35/500,642, filed on Feb. 3, 2016 (U.S. filing date under 35 U.S.C. 384), and having an international filing date of Feb. 3, 2016, now Pat. No. Des. 801,320.

(51) **LOC (12) Cl.** ..... **14-03**

(52) **U.S. Cl.**  
USPC ..... **D14/230**

(58) **Field of Classification Search**  
USPC ..... D14/230-238, 299, 358  
CPC ..... G01R 29/10; G01S 7/4026; G01S 2013/0254; G01S 2013/0263; G05B 2219/45001; G08B 13/2468; G08B 13/2477; G06K 19/07773; G06K 19/07775; G06K 19/07777; H01Q 1/0888  
See application file for complete search history.

(56) **References Cited**

**U.S. PATENT DOCUMENTS**

D520,990 S 5/2006 Kowalewicz  
D531,996 S 11/2006 Cislo

D544,470 S \* 6/2007 Markefka ..... D14/230  
D580,917 S 11/2008 Hu  
D581,403 S 11/2008 Zwingmann  
D659,128 S 5/2012 Podduturi  
D675,601 S 2/2013 Huet  
D686,598 S 7/2013 Yanagisawa  
D801,320 S \* 10/2017 Wechselberger ..... D14/230  
D826,219 S \* 8/2018 Kobayashi ..... D14/230  
10,164,314 B2 \* 12/2018 Butscher ..... H01Q 1/3275

**OTHER PUBLICATIONS**

U.S. Appl. No. 35/500,642, filed Feb. 2016, Wechselberger.

\* cited by examiner

*Primary Examiner* — Keli L Hill

(74) *Attorney, Agent, or Firm* — Nixon & Vanderhye PC

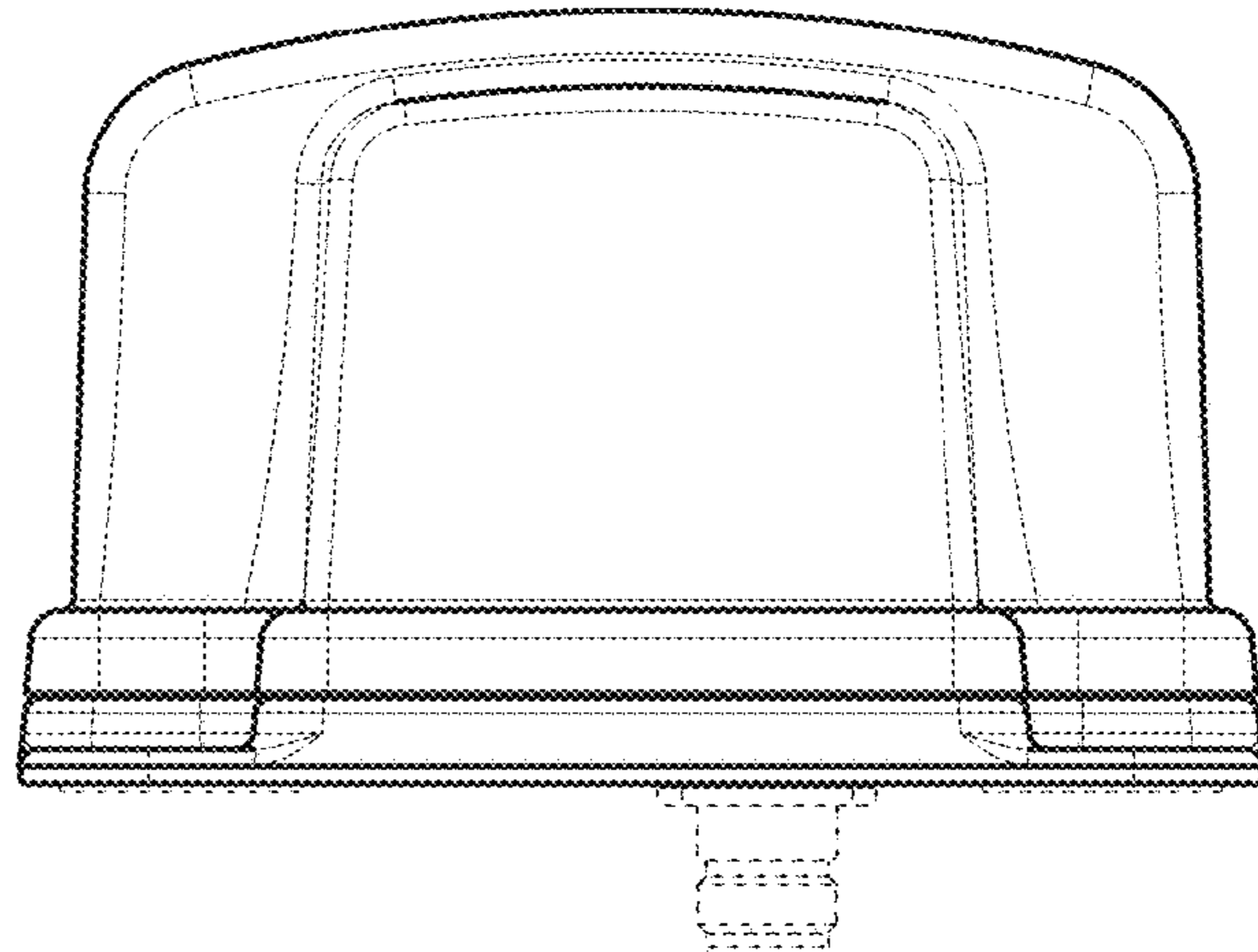
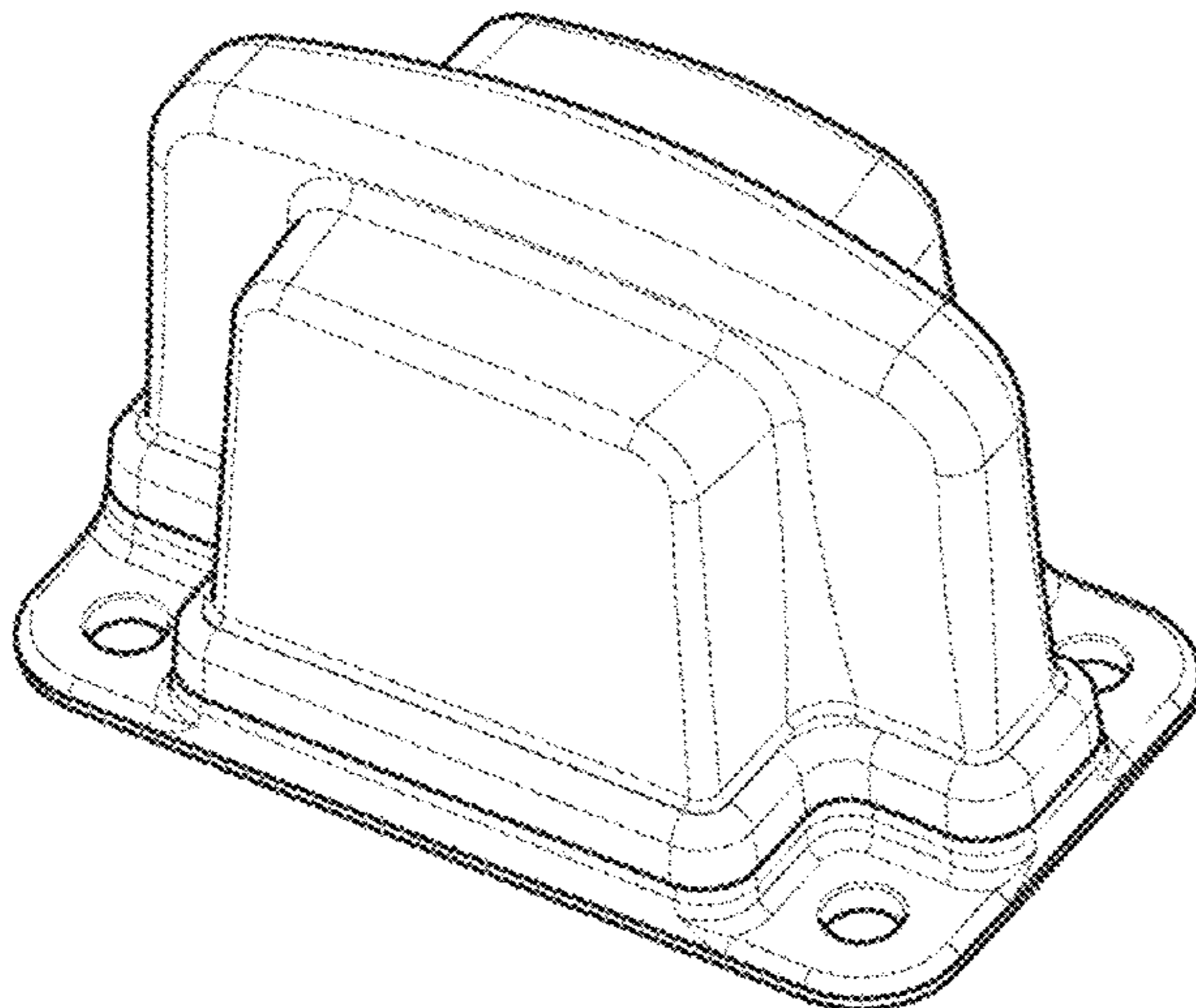
(57) **CLAIM**

The ornamental design for an antenna housing, as shown and described.

**DESCRIPTION**

FIG. 1 is a first perspective view of an antenna housing, according to our new design;  
FIG. 2 is a second perspective view thereof;  
FIG. 3 is a third perspective view thereof;  
FIG. 4 is a front elevation view thereof;  
FIG. 5 is a left side elevation view thereof;  
FIG. 6 is a top plan view thereof;  
FIG. 7 is a bottom plan view thereof;  
FIG. 8 is a right side elevation view thereof; and,  
FIG. 9 is a rear elevation view thereof.  
The broken lines show unclaimed environmental structure and form no part of the claimed design.

**1 Claim, 9 Drawing Sheets**



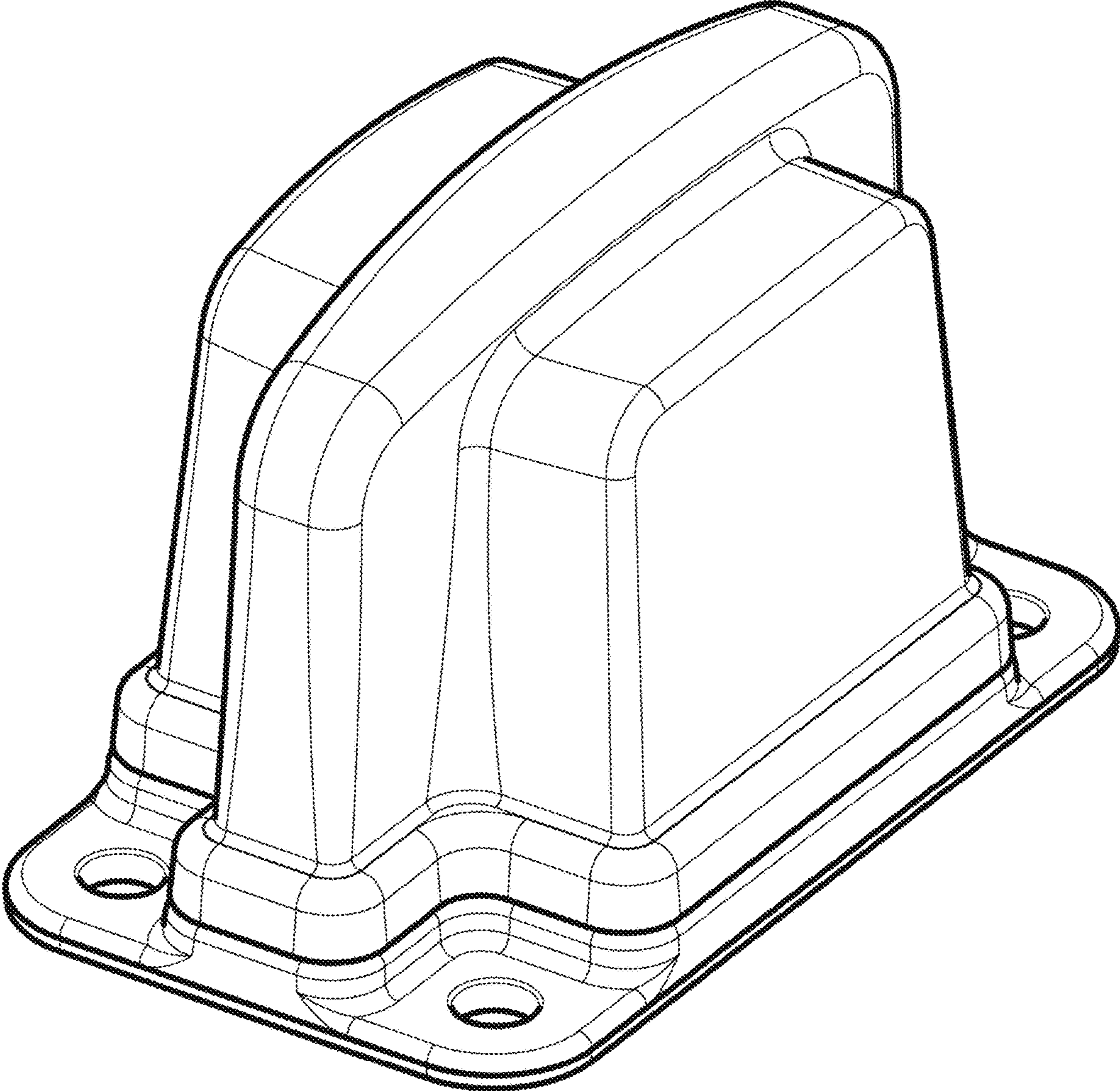


FIG. 1

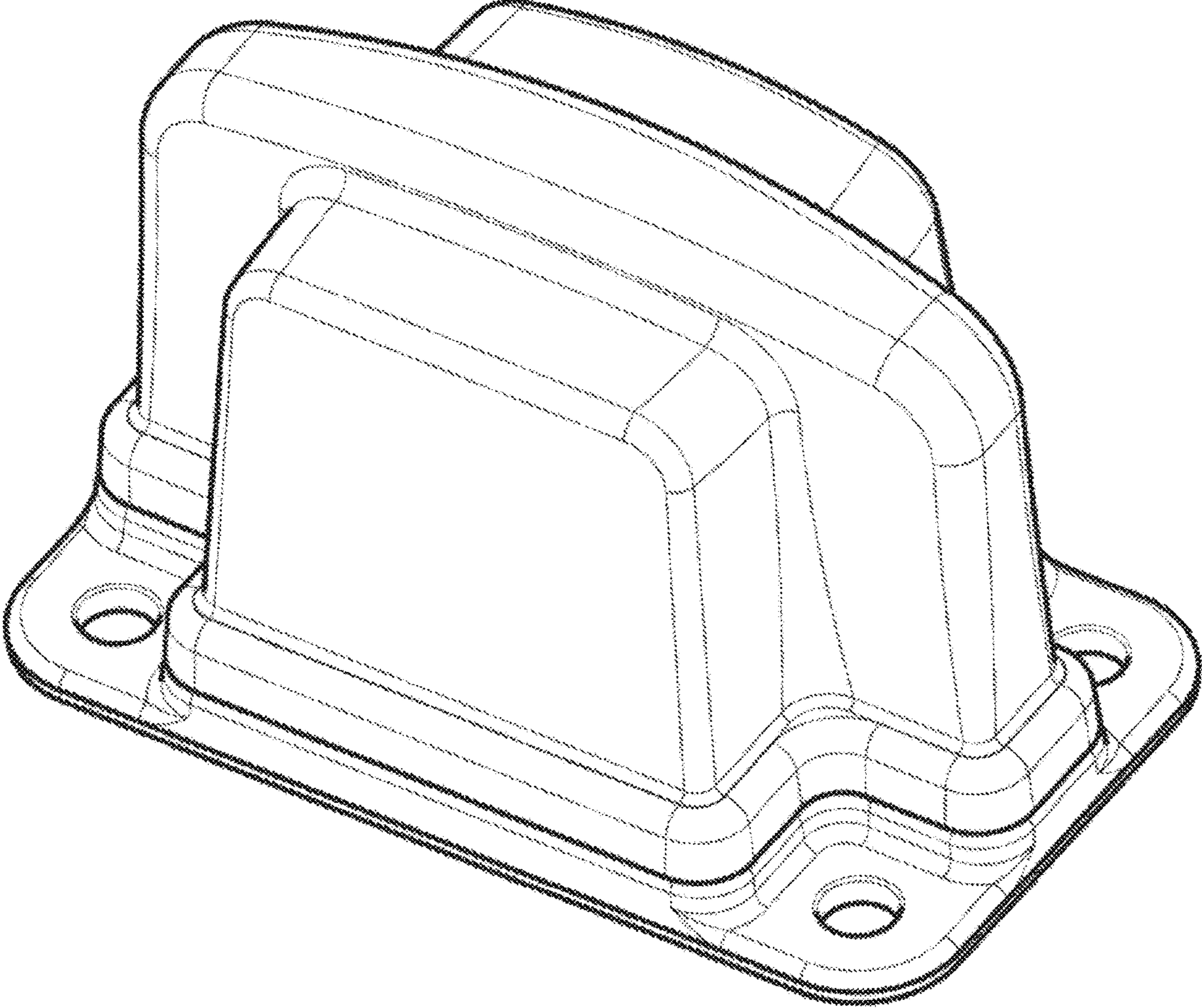


FIG. 2

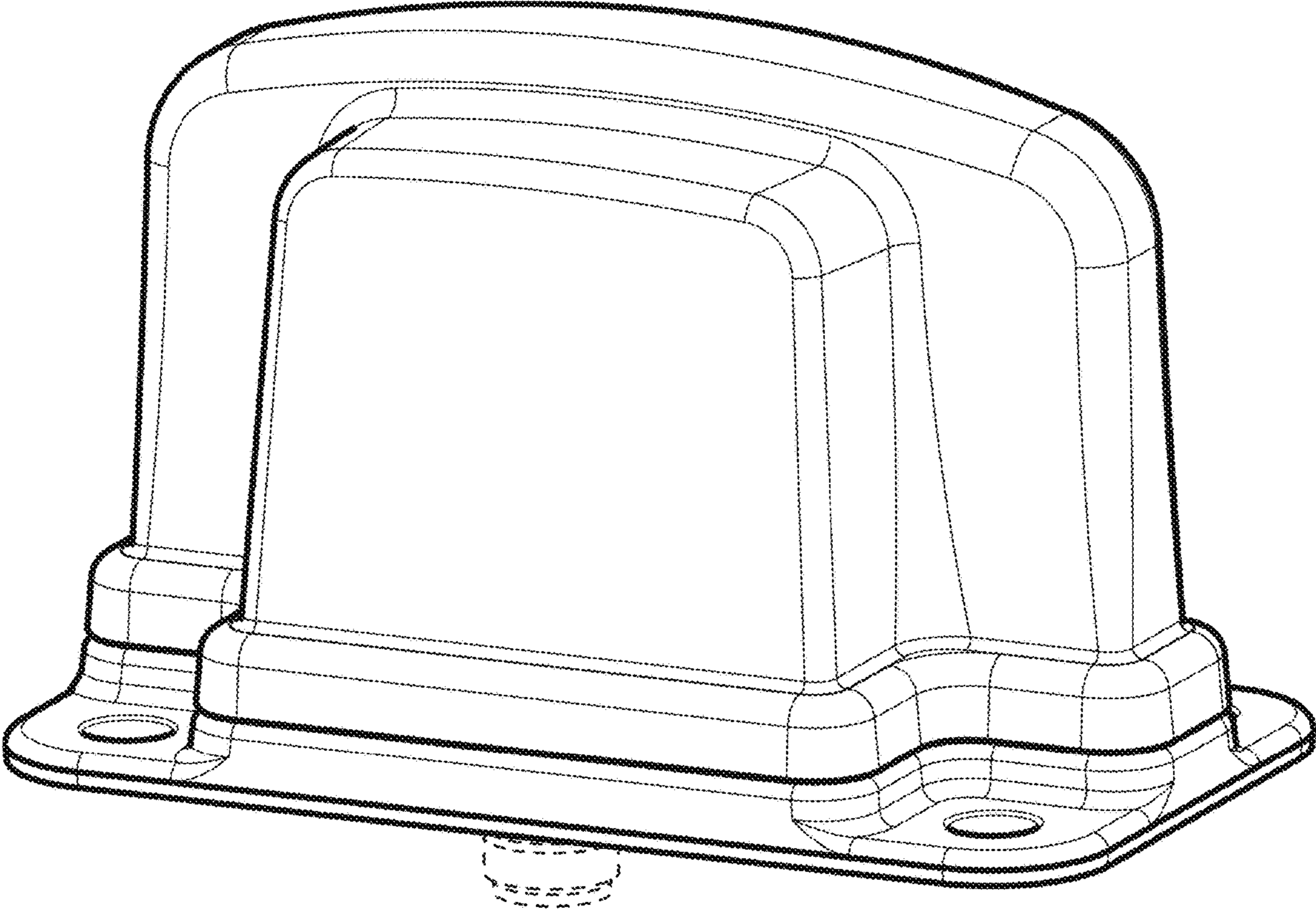


FIG. 3

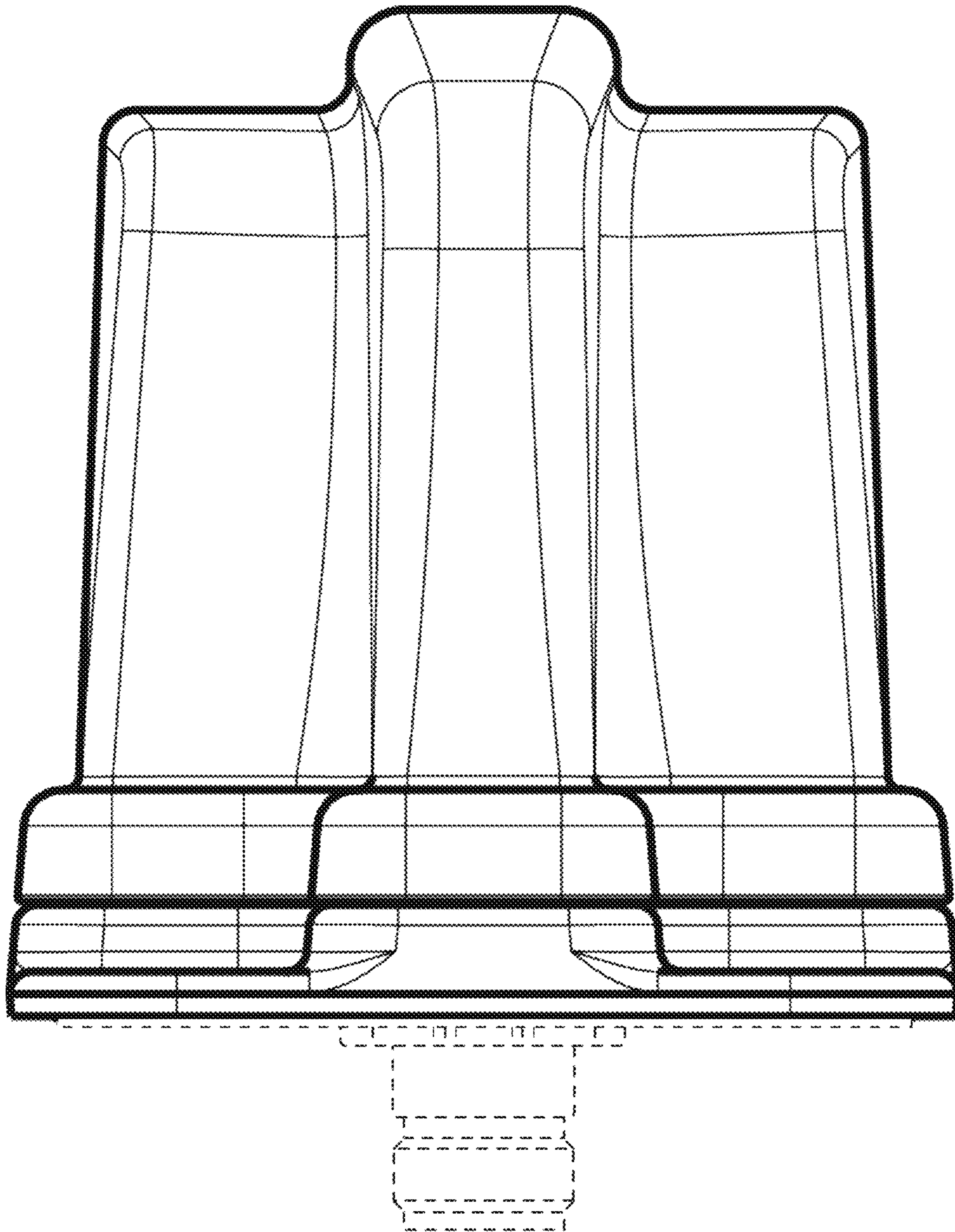


FIG. 4

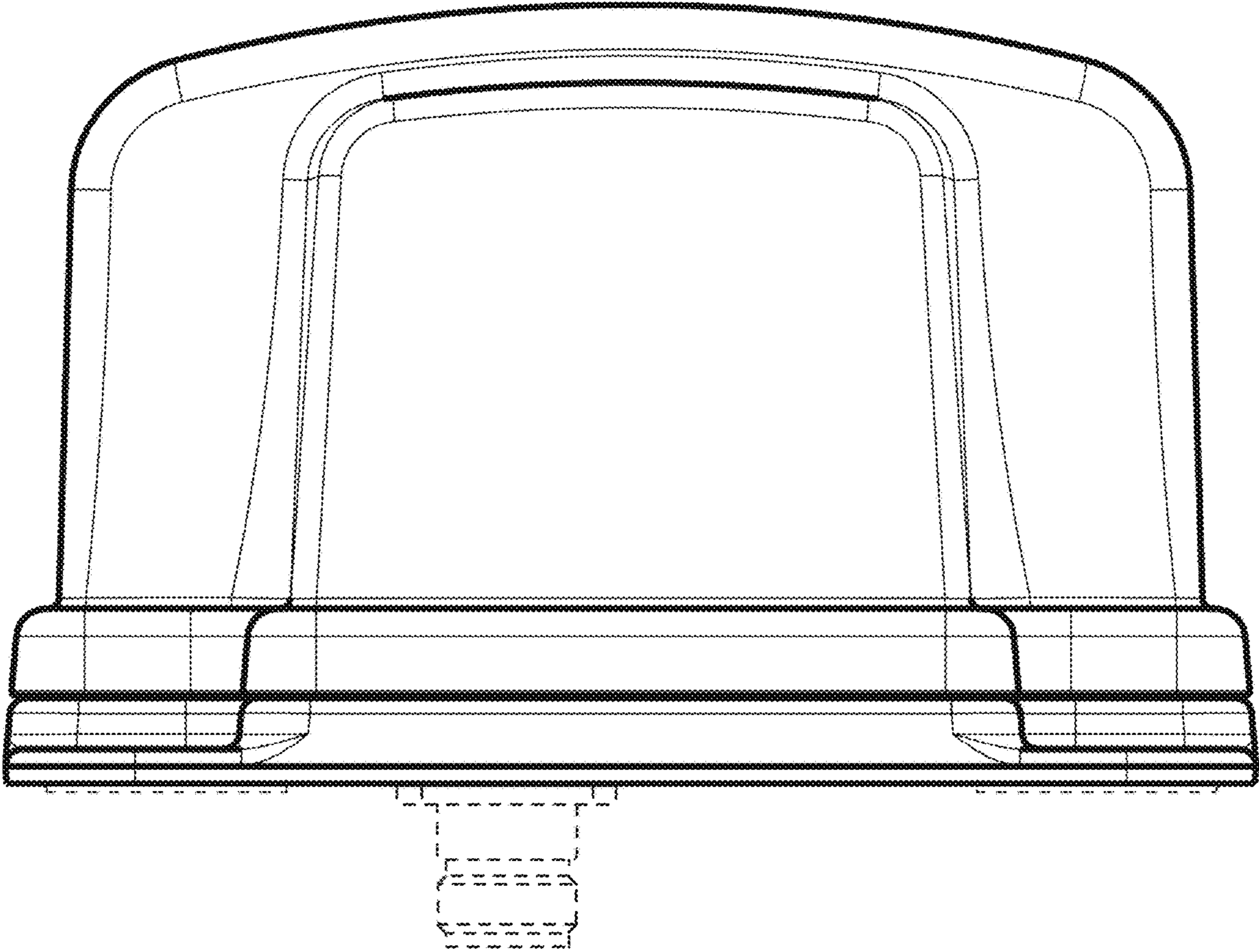


FIG. 5

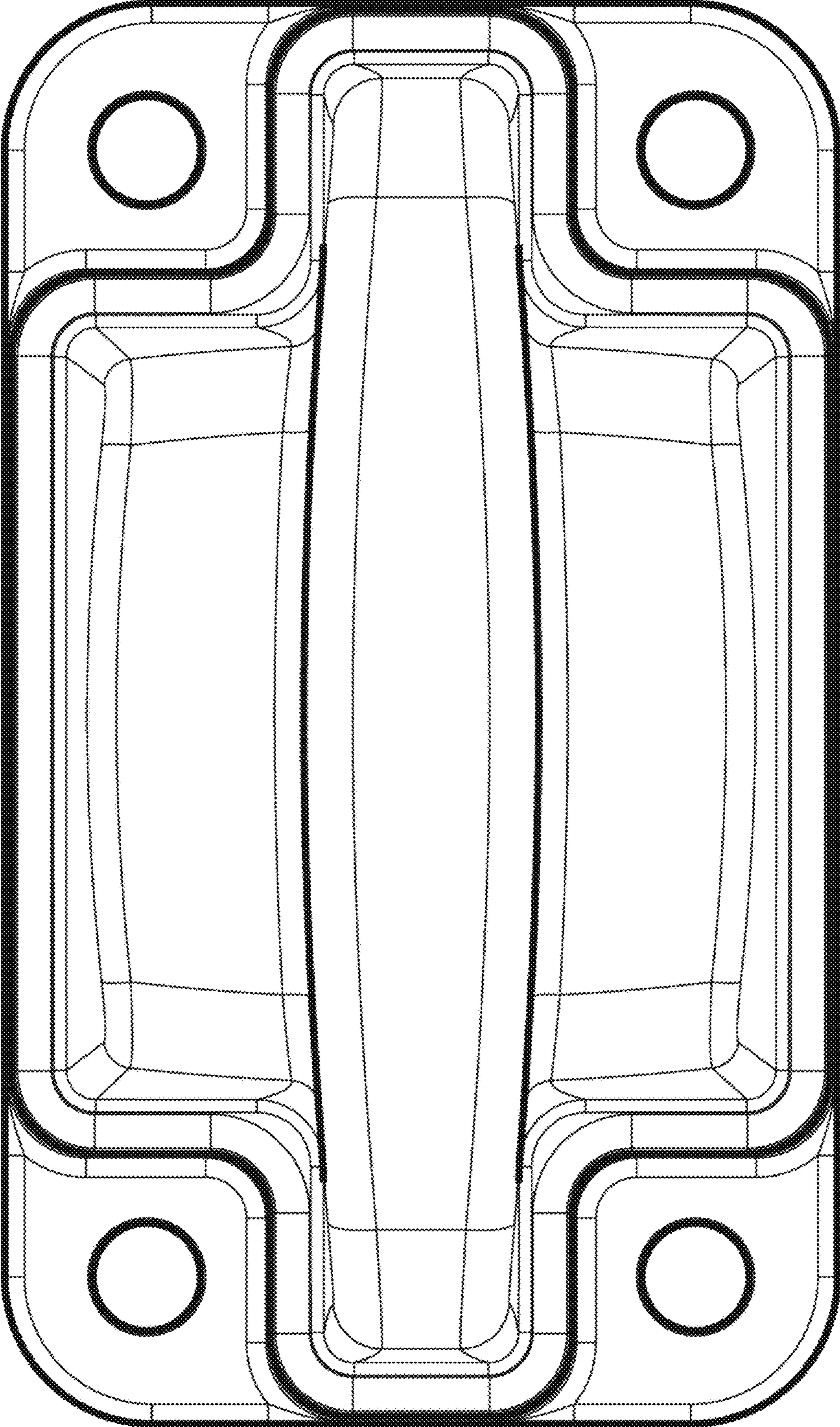


FIG. 6

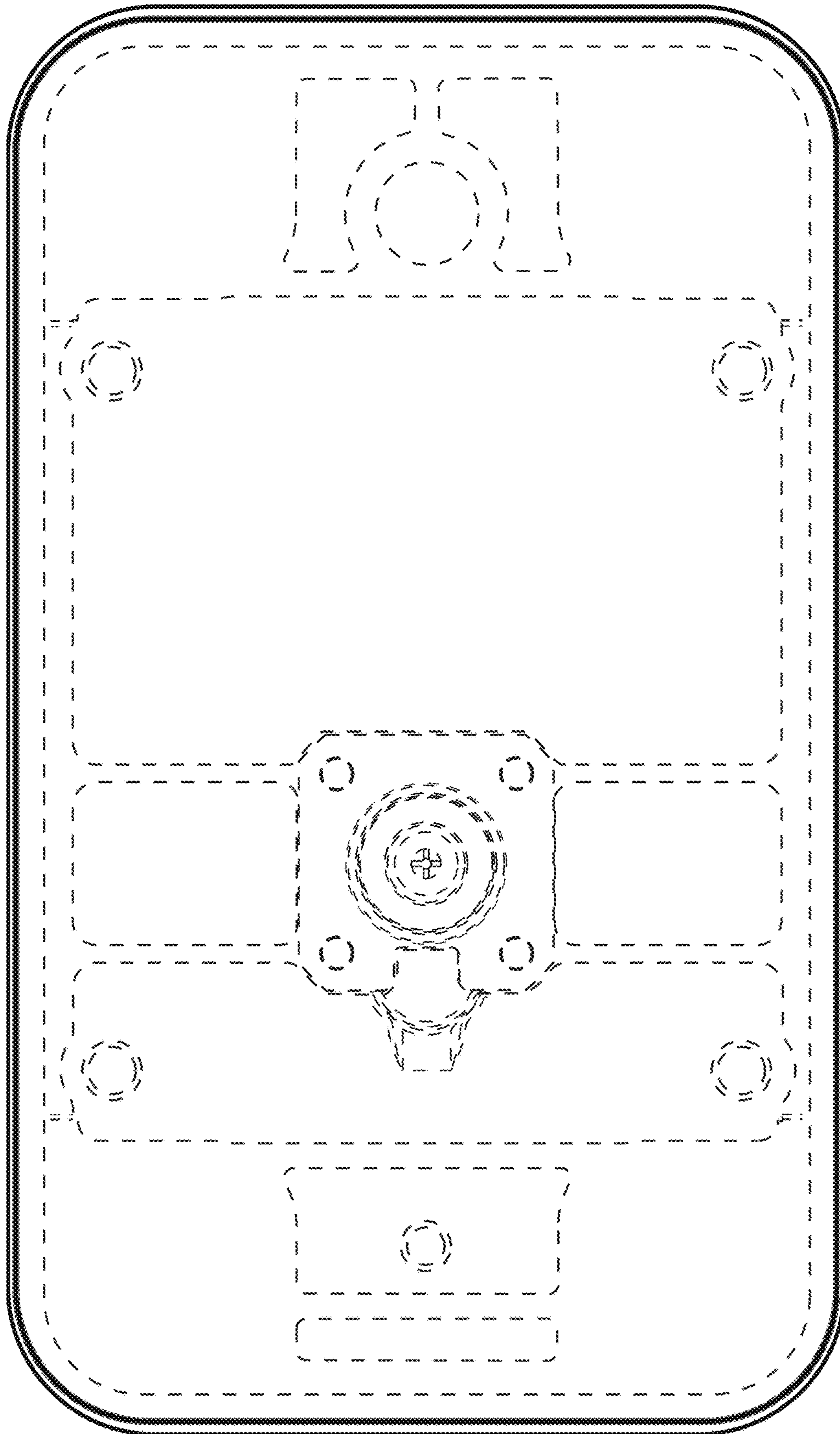


FIG. 7



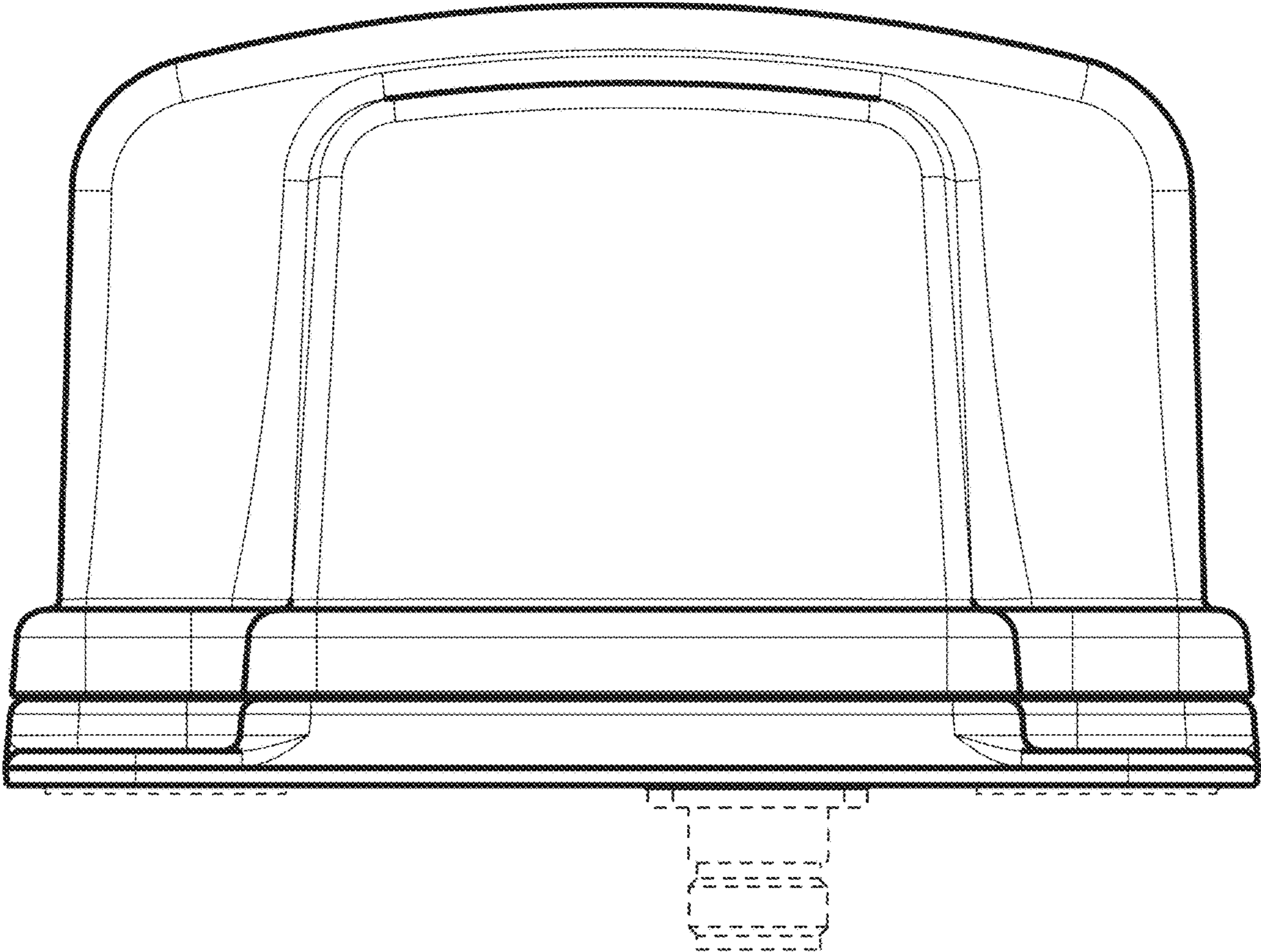


FIG. 8

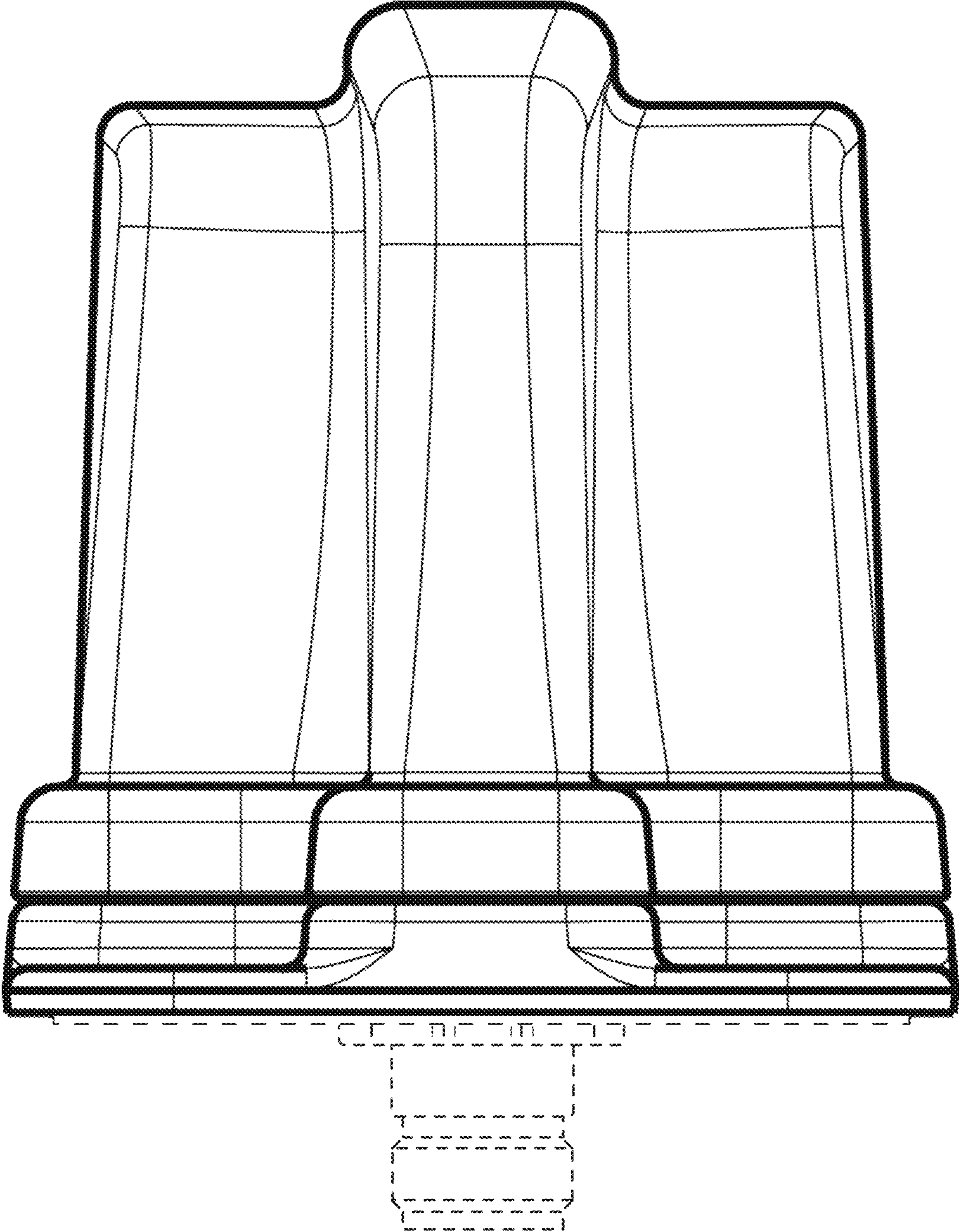


FIG. 9