



US00D871376S

(12) **United States Design Patent**
Zhou

(10) **Patent No.:** **US D871,376 S**

(45) **Date of Patent:** **** Dec. 31, 2019**

(54) **WIRELESS EARPHONE**

(71) Applicant: **Shenzhen Gu Ning Culture Co., Ltd.**,
Shenzhen (CN)

(72) Inventor: **Huiyu Zhou**, Huizhou (CN)

(**) Term: **15 Years**

(21) Appl. No.: **29/697,718**

(22) Filed: **Jul. 10, 2019**

(30) **Foreign Application Priority Data**

Mar. 2, 2019 (CN) 2019 3 0084375

(51) **LOC (12) Cl.** **14-01**

(52) **U.S. Cl.**
USPC **D14/223**

(58) **Field of Classification Search**

USPC D14/223, 205; D24/174; 181/129, 130,
181/135; 379/430, 431; 381/380, 381,
381/374; 455/90, 3, 575.1, 569.1

CPC H04R 1/10; H04R 25/00; H04R 25/02;
H04R 1/1016; H04R 1/1066; H04R
5/033; H04R 5/0335; H04R 1/105; H04R
1/1091

See application file for complete search history.

(56) **References Cited**

U.S. PATENT DOCUMENTS

- 1,279,396 A * 9/1918 Michelson et al. A61F 11/08
128/868
- 1,668,890 A * 5/1928 Curran H04R 1/1016
181/130
- 1,668,910 A * 5/1928 Jones H04R 1/1016
181/130
- 2,145,449 A * 1/1939 Lockhart H04R 17/02
381/151
- 2,719,523 A * 10/1955 Von Gierke A61F 11/10
128/864

- 2,971,065 A * 2/1961 Busse H04R 25/456
381/321
- 3,324,253 A * 6/1967 Uemura H04R 11/06
381/189
- 3,394,698 A * 7/1968 Calkins A61F 11/008
128/867

(Continued)

FOREIGN PATENT DOCUMENTS

EM 006148557-0001 * 2/2019

Primary Examiner — Paula Allen Greene

(74) *Attorney, Agent, or Firm* — ZANIP

(57) **CLAIM**

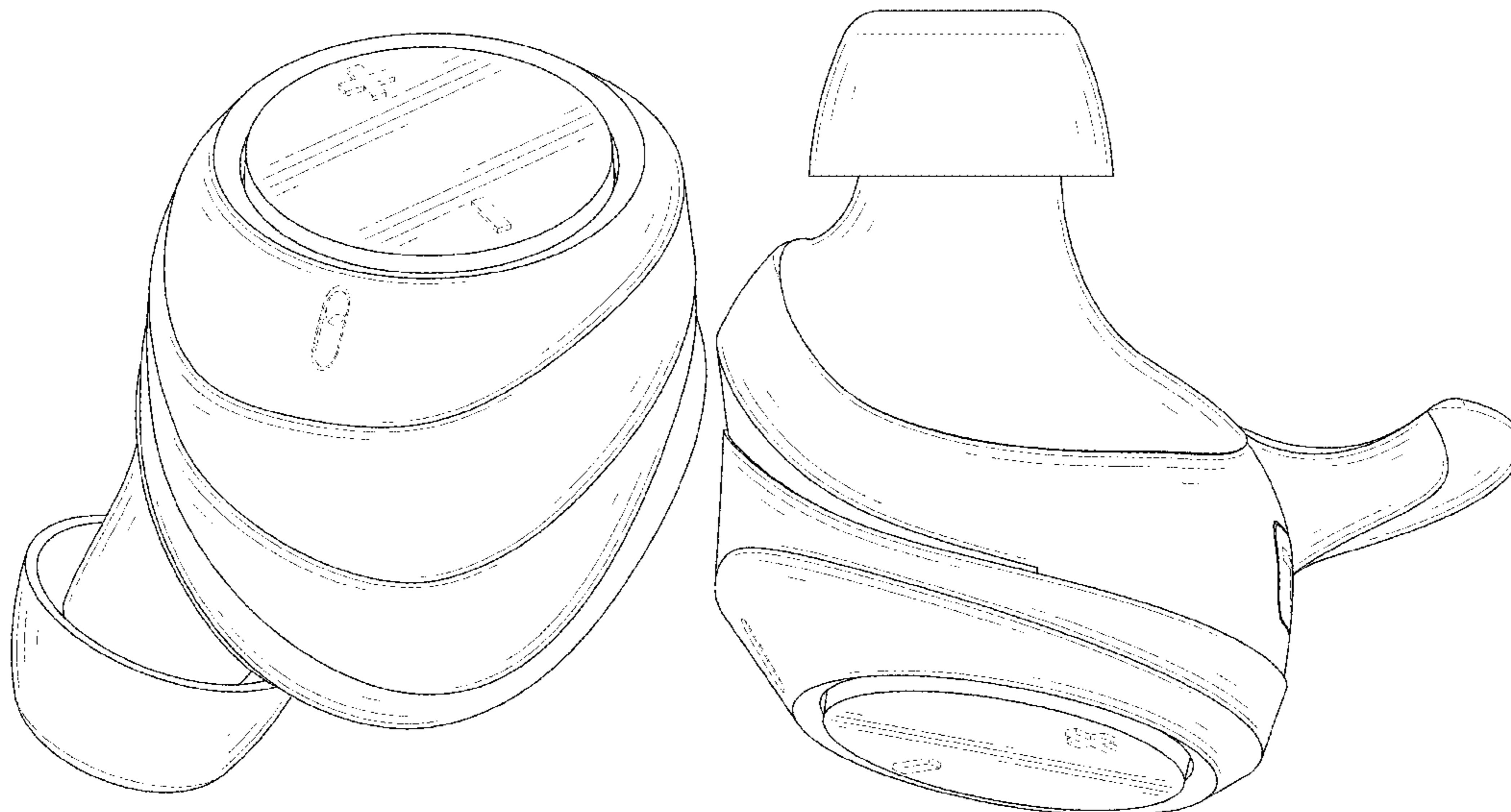
The ornamental design for a wireless earphone, as shown and described.

DESCRIPTION

FIG. 1 is a front and top perspective view of a wireless earphone according to a first embodiment of my new design; FIG. 2 is a back and bottom perspective view thereof; FIG. 3 is a front view thereof; FIG. 4 is a back view thereof; FIG. 5 is a left side view thereof; FIG. 6 is a right side view thereof; FIG. 7 is a top view thereof; FIG. 8 is a bottom view thereof; FIG. 9 is a front and top perspective view of a wireless earphone according to a second embodiment of my new design; FIG. 10 is a back and bottom perspective view thereof; FIG. 11 is a front view thereof; FIG. 12 is a back view thereof; FIG. 13 is a left side view thereof; FIG. 14 is a right side view thereof; FIG. 15 is a top view thereof; and, FIG. 16 is a bottom view thereof.

The broken lines in the figures illustrate portions of the wireless earphone that form no part of the claimed design.

1 Claim, 16 Drawing Sheets



(56)

References Cited

U.S. PATENT DOCUMENTS

3,821,647 A * 6/1974 Minasian H03D 1/10
455/269
4,069,400 A * 1/1978 Johanson H04R 25/60
381/322
4,375,016 A * 2/1983 Harada H04R 25/656
181/135
4,457,396 A * 7/1984 James H04R 1/345
181/129
4,471,490 A * 9/1984 Bellafiore H04R 25/65
29/460
4,539,708 A * 9/1985 Norris H04B 1/088
455/100
4,585,089 A * 4/1986 Topholm H04R 25/65
181/135
4,672,672 A * 6/1987 Eggert H04R 25/60
381/321
4,736,430 A * 4/1988 Schroder H04R 25/656
381/322
5,054,079 A * 10/1991 Frielingsdorf H04R 1/46
379/430
5,654,530 A * 8/1997 Sauer H04R 25/652
181/130
D388,093 S * 12/1997 Frengley D14/223
5,812,680 A * 9/1998 Glendon H04R 25/60
381/322
5,828,757 A * 10/1998 Michalsen H04R 25/502
381/328
D463,791 S * 10/2002 Nagai D14/205
6,493,453 B1 * 12/2002 Glendon H04R 23/008
381/322
D481,709 S * 11/2003 Solderits D14/223
D505,411 S * 5/2005 Sakai D14/192
D514,094 S * 1/2006 Griffin D14/223
7,010,137 B1 * 3/2006 Leedom A61B 5/6817
381/328
D519,108 S * 4/2006 Yang D14/223
7,092,543 B1 * 8/2006 Mahoney H04R 25/65
381/322
7,113,611 B2 * 9/2006 Leedom H04R 25/65
381/322
D542,295 S * 5/2007 Katagiri D14/239
D549,222 S * 8/2007 Huang A61F 11/08
D14/223
D550,657 S * 9/2007 Gan D14/223
D554,756 S * 11/2007 Sjursen D24/174
D579,006 S * 10/2008 Kim D14/223
D595,268 S * 6/2009 Kolton D14/205
D597,084 S * 7/2009 Gondo D14/223
D603,380 S * 11/2009 Hutchieson D14/223
D628,565 S * 12/2010 Wu D14/223
D631,470 S * 1/2011 Yoneyama D14/223

D642,162 S 7/2011 Wang
D642,163 S * 7/2011 Lee D14/223
D647,081 S * 10/2011 Kwon D14/223
D652,822 S * 1/2012 Lee D14/223
D654,056 S * 2/2012 Hoggarth D14/205
D666,580 S * 9/2012 Lee D14/223
D666,581 S * 9/2012 Perez D14/223
D668,244 S * 10/2012 Matsumura D14/223
8,406,448 B2 * 3/2013 Lin H04R 1/1091
381/332
D686,597 S * 7/2013 Lee D14/223
D698,750 S * 2/2014 Yoon D14/205
D698,761 S * 2/2014 Bao D14/223
8,776,801 B2 * 7/2014 McIntosh A61F 11/08
128/864
D711,858 S * 8/2014 Yang D14/223
D719,548 S * 12/2014 Thompson D14/223
D729,775 S * 5/2015 Seo D14/205
D737,251 S * 8/2015 Thompson D14/223
D740,786 S * 10/2015 Huang D14/205
D745,489 S * 12/2015 Bjelle D14/205
D746,792 S * 1/2016 Kim D14/205
D764,445 S * 8/2016 Czaniecki D14/223
D767,532 S * 9/2016 Jen D14/205
D773,439 S * 12/2016 Walker D14/205
D777,710 S * 1/2017 Palmborg D14/223
D781,269 S * 3/2017 Choe D14/223
D782,442 S * 3/2017 Chen D14/205
D782,998 S * 4/2017 Shin D14/205
D788,079 S * 5/2017 Son D14/223
D789,909 S * 6/2017 Hung D14/223
D794,614 S * 8/2017 Xu D14/223
D795,224 S * 8/2017 Valenzuela D14/223
D795,225 S * 8/2017 Sumii D14/223
D806,879 S * 1/2018 Horbinski D24/174
D810,054 S * 2/2018 Yuan D14/223
D812,042 S * 3/2018 Xiao D14/223
D842,844 S 3/2019 Li
D848,979 S 5/2019 Kim et al.
D851,072 S * 6/2019 McNamara D14/223
D852,171 S * 6/2019 Cai D14/223
D852,782 S * 7/2019 Bergman D14/223
D855,589 S * 8/2019 Madsen D14/223
2007/0098201 A1 * 5/2007 Chen H04R 1/1016
381/380
2009/0304220 A1 * 12/2009 Fujikura H04R 1/1091
381/380
2010/0202626 A1 * 8/2010 Shiori H04R 1/1091
381/74
2012/0087532 A1 * 4/2012 Yang H04R 1/10
381/380
2013/0259286 A1 * 10/2013 Chung H04R 1/1016
381/380

* cited by examiner

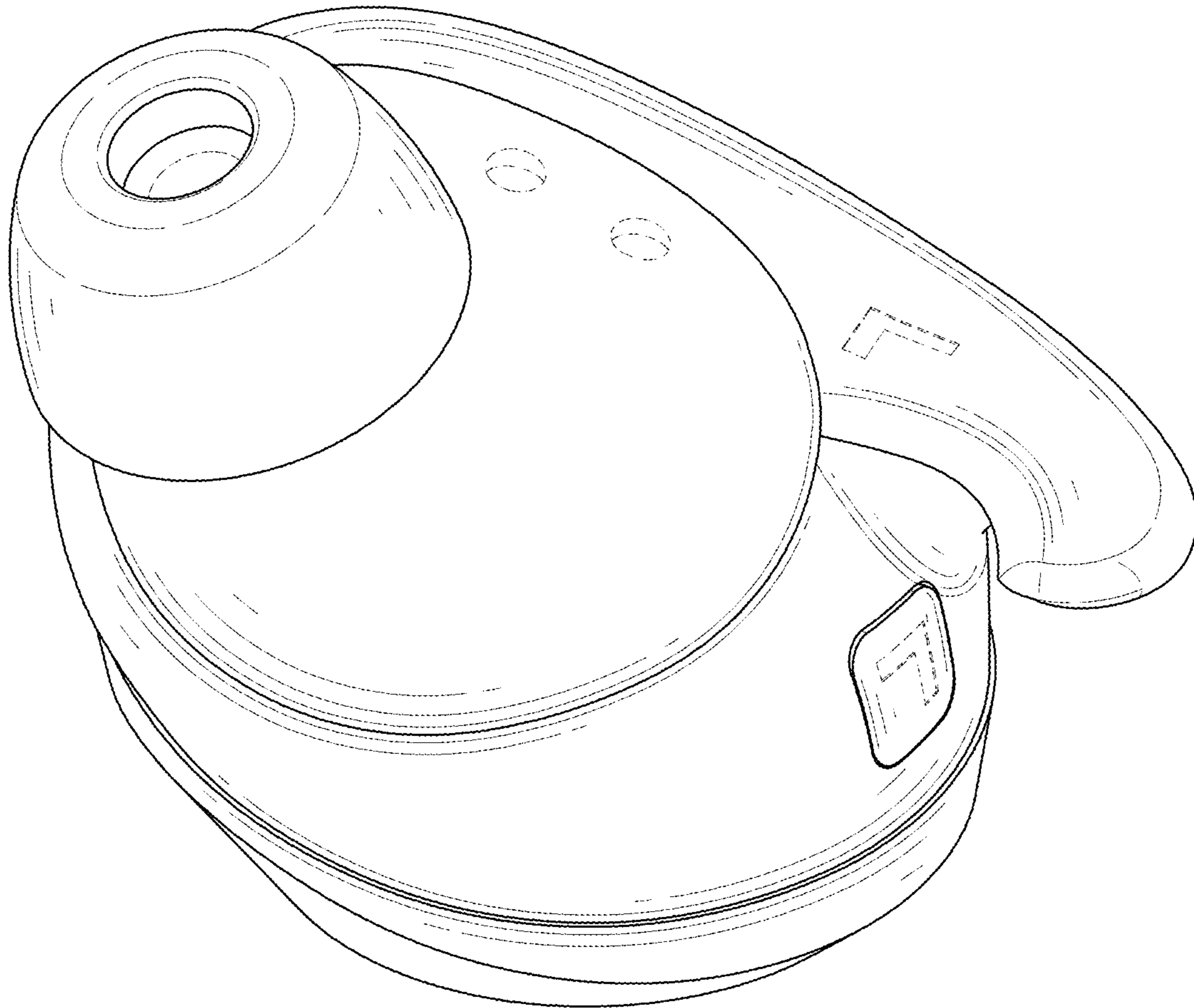


FIG. 1

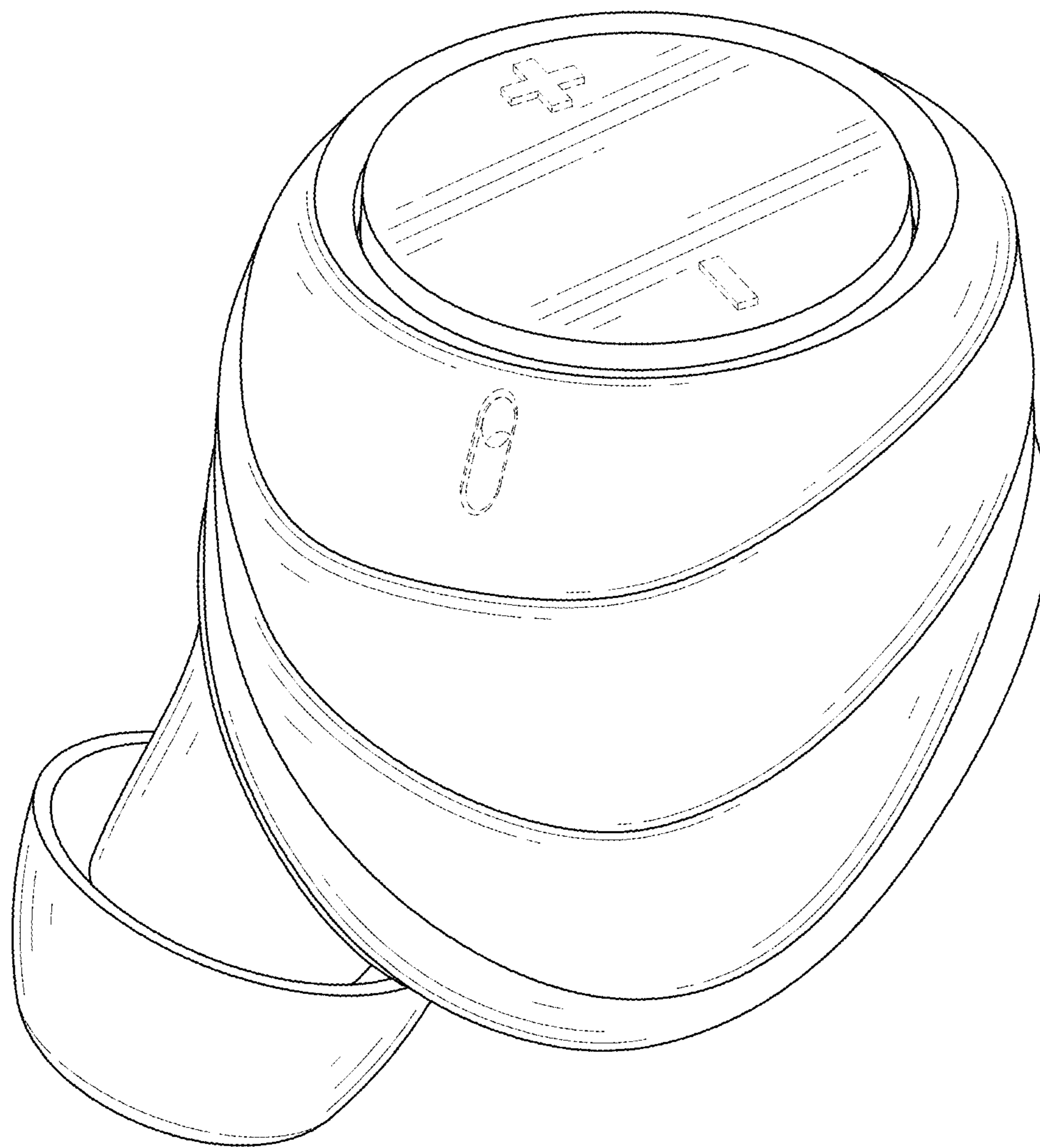


FIG. 2

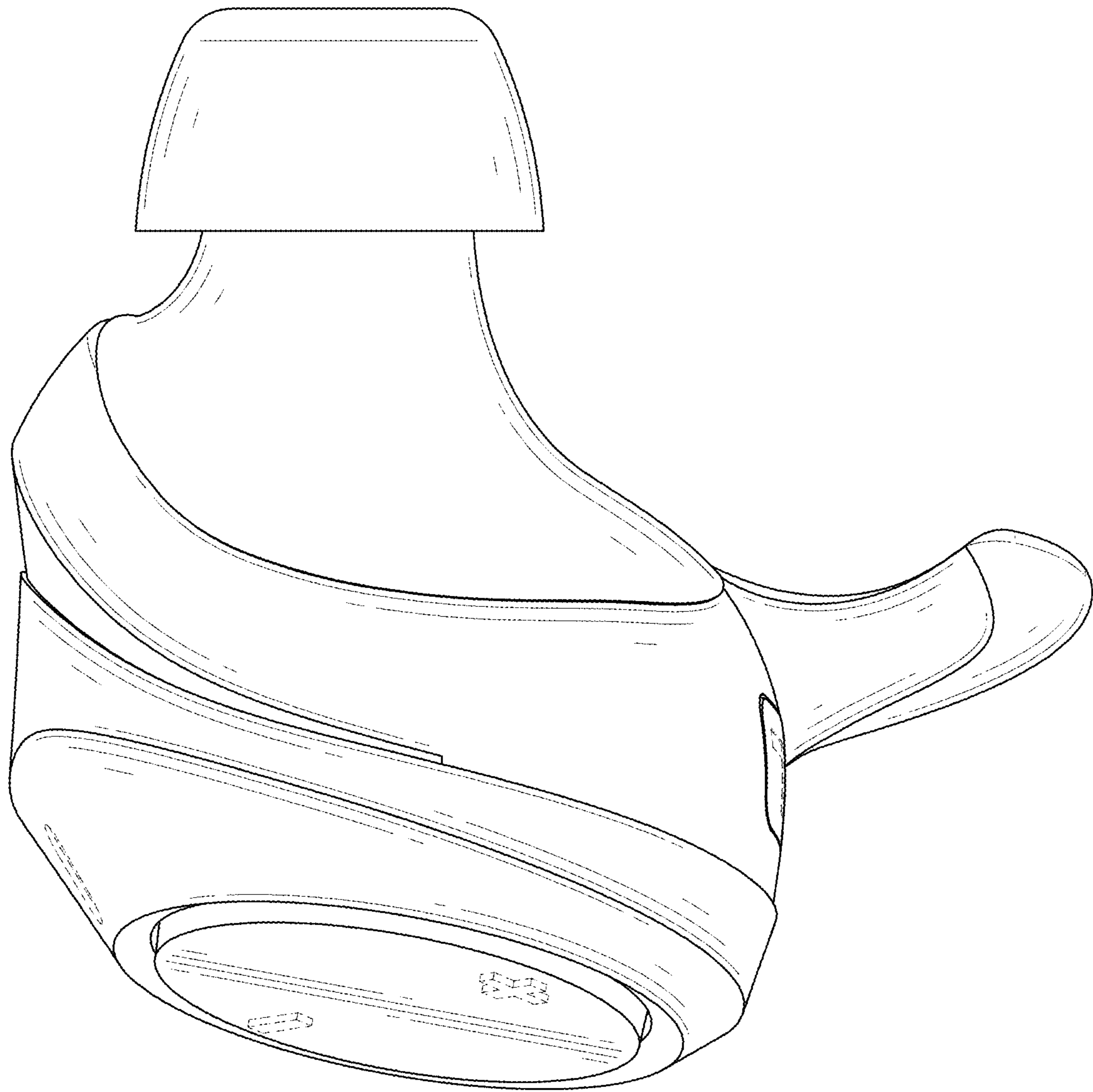


FIG. 3

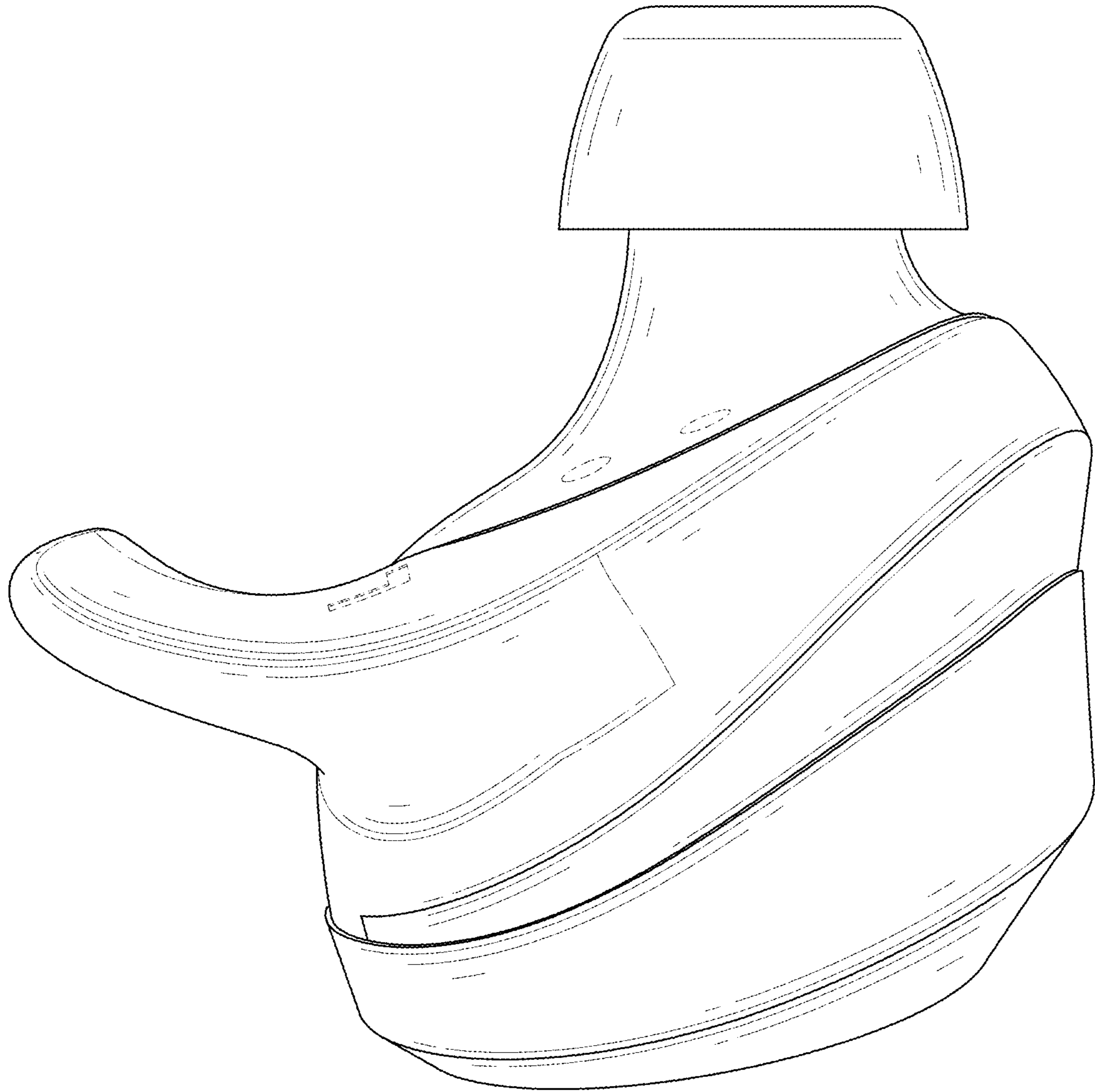


FIG. 4

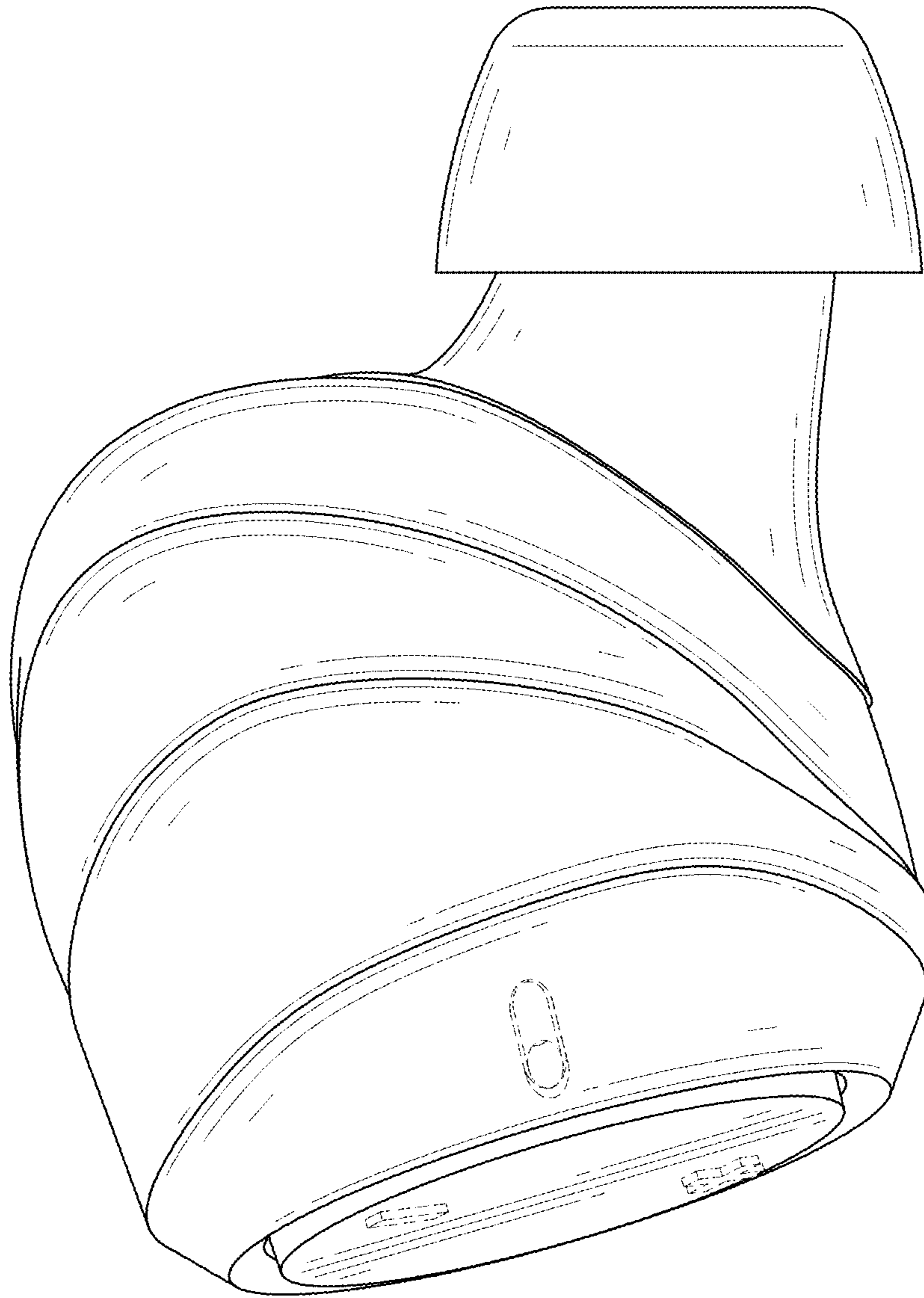


FIG. 5

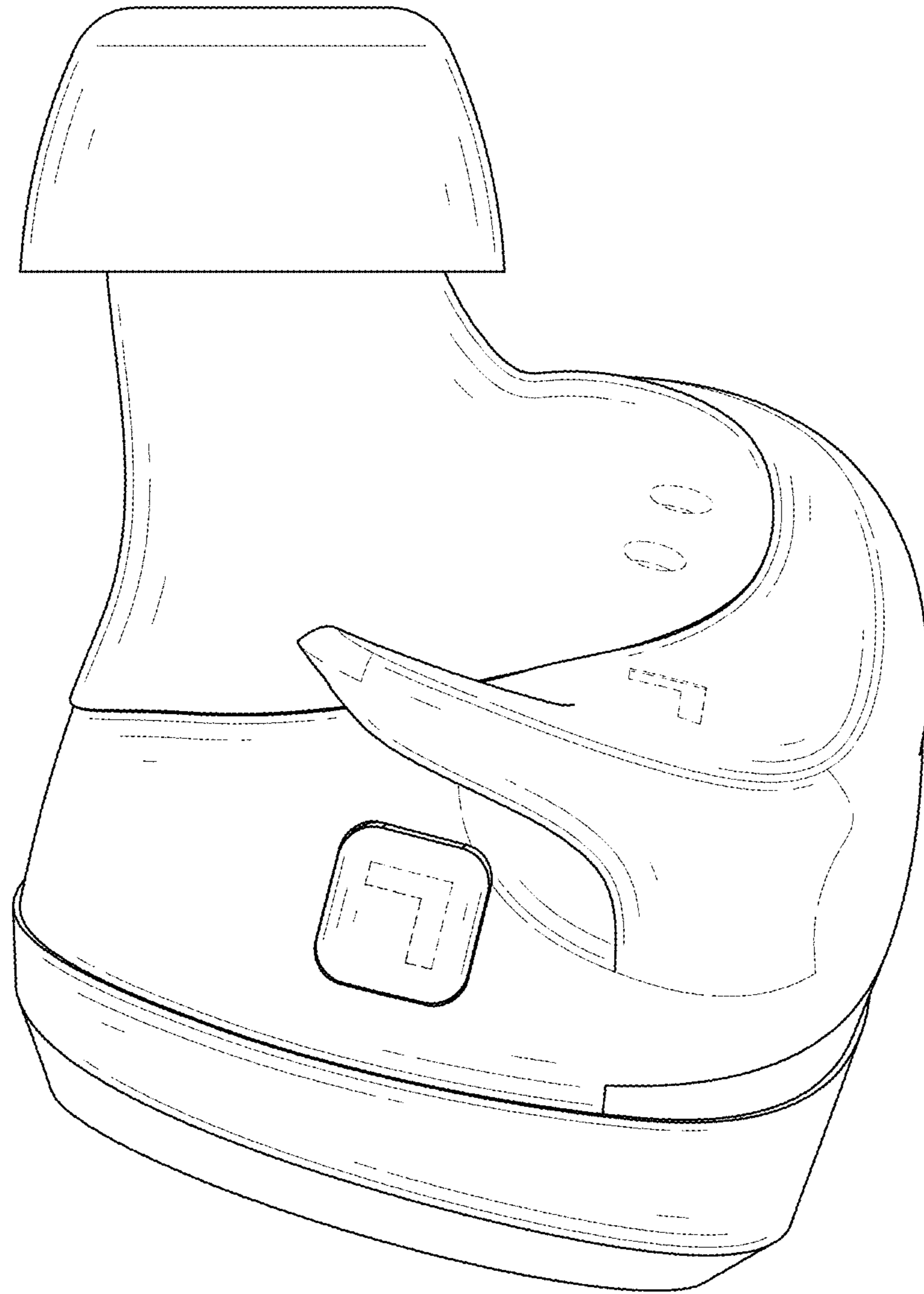


FIG. 6

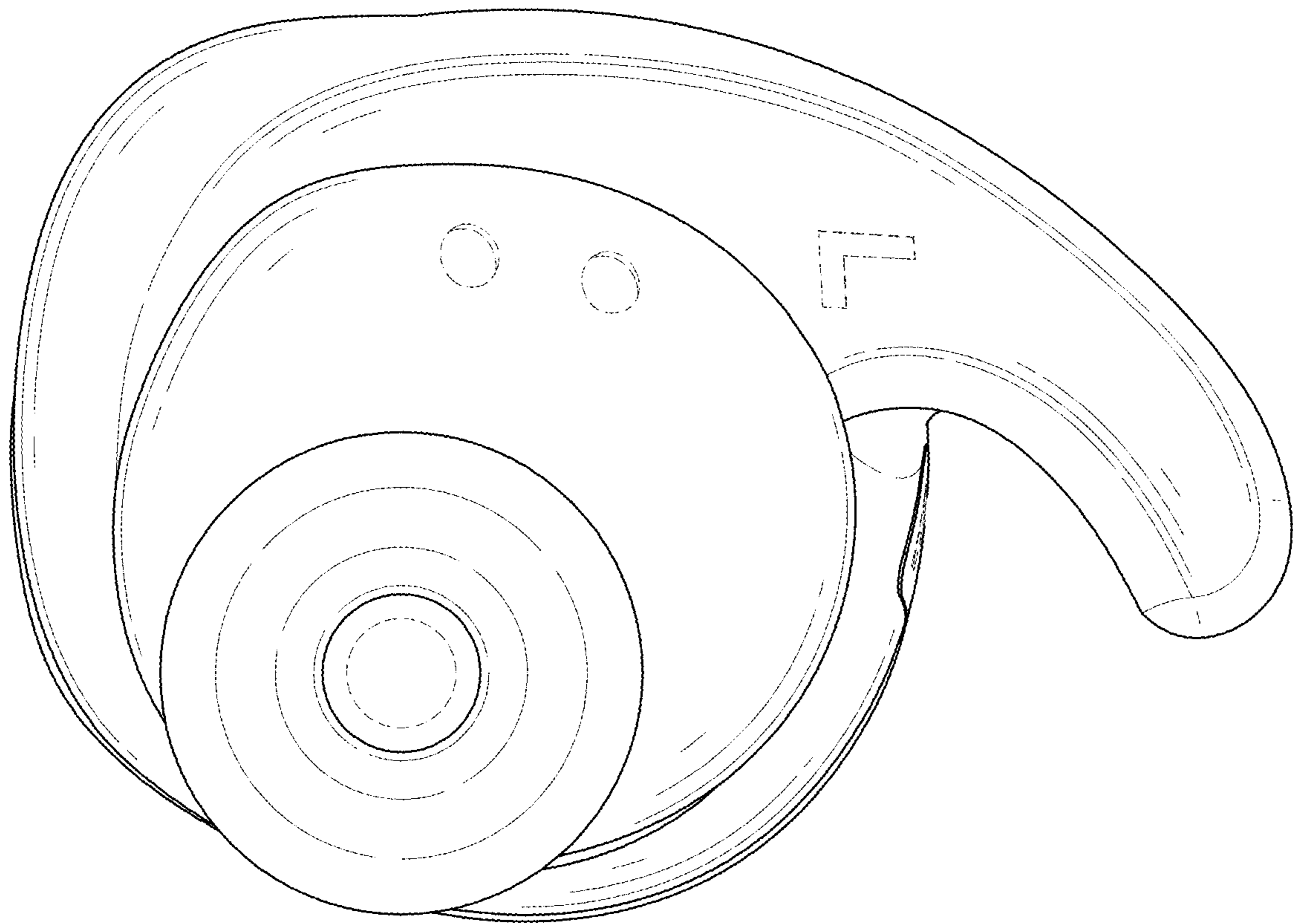


FIG. 7

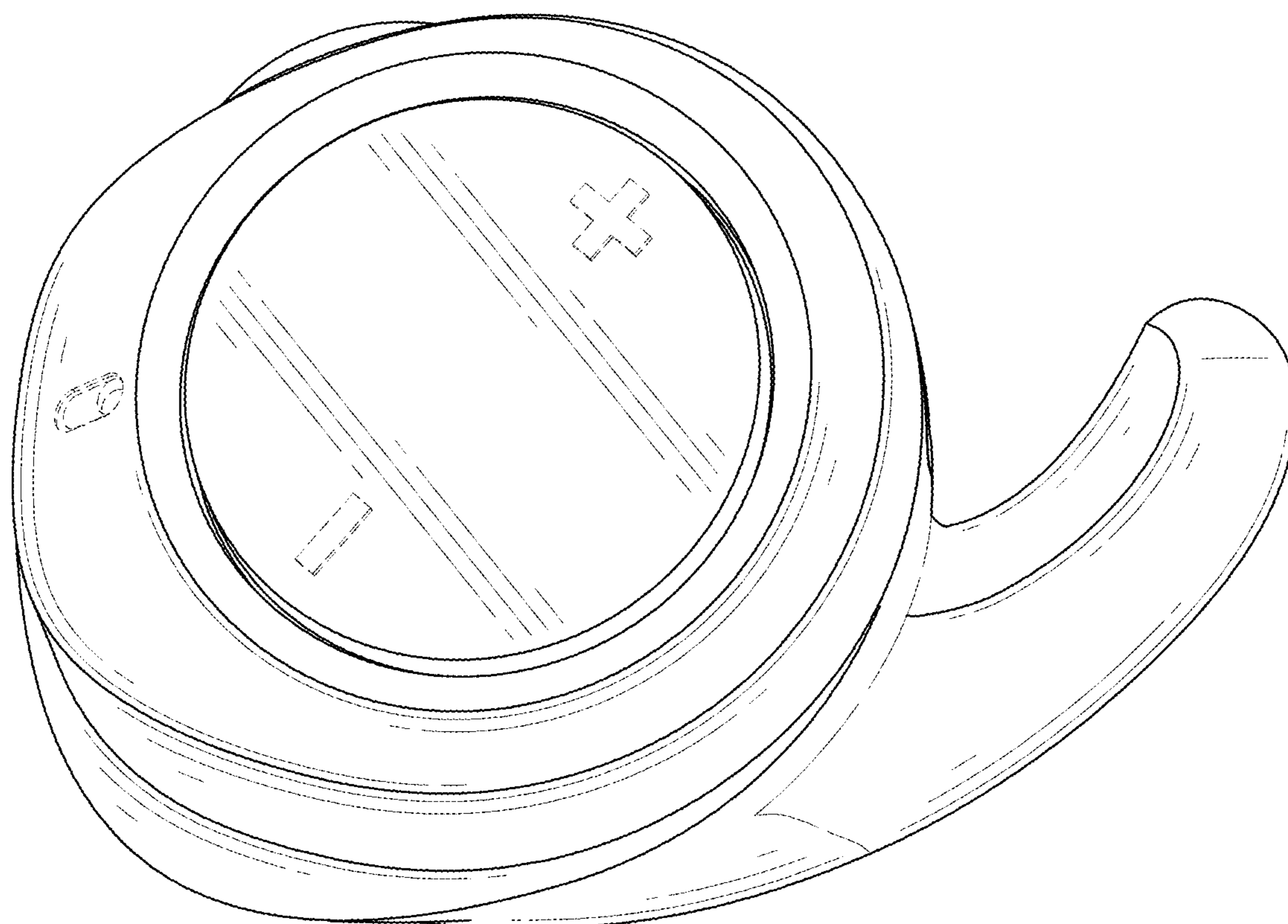


FIG. 8

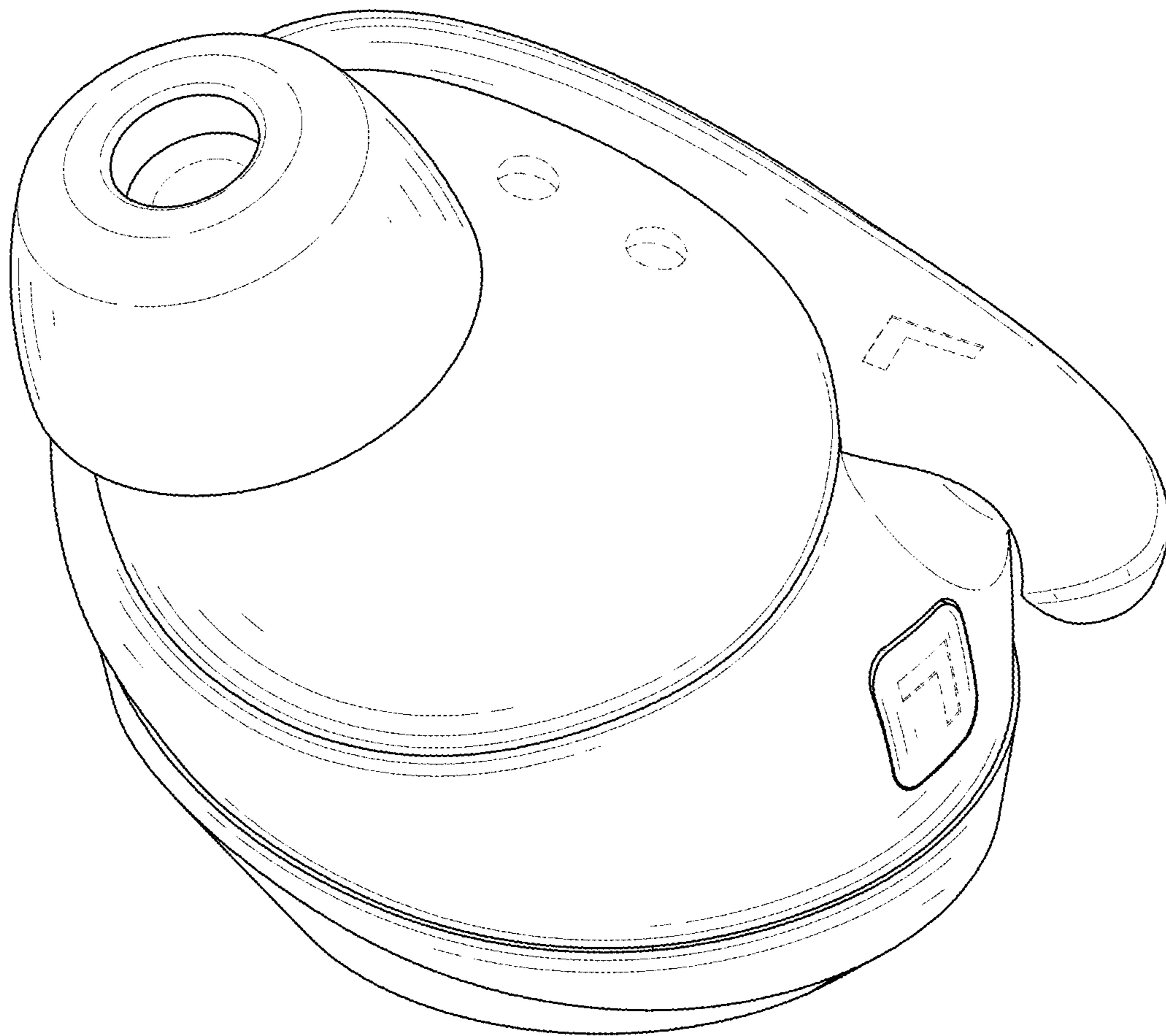


FIG. 9

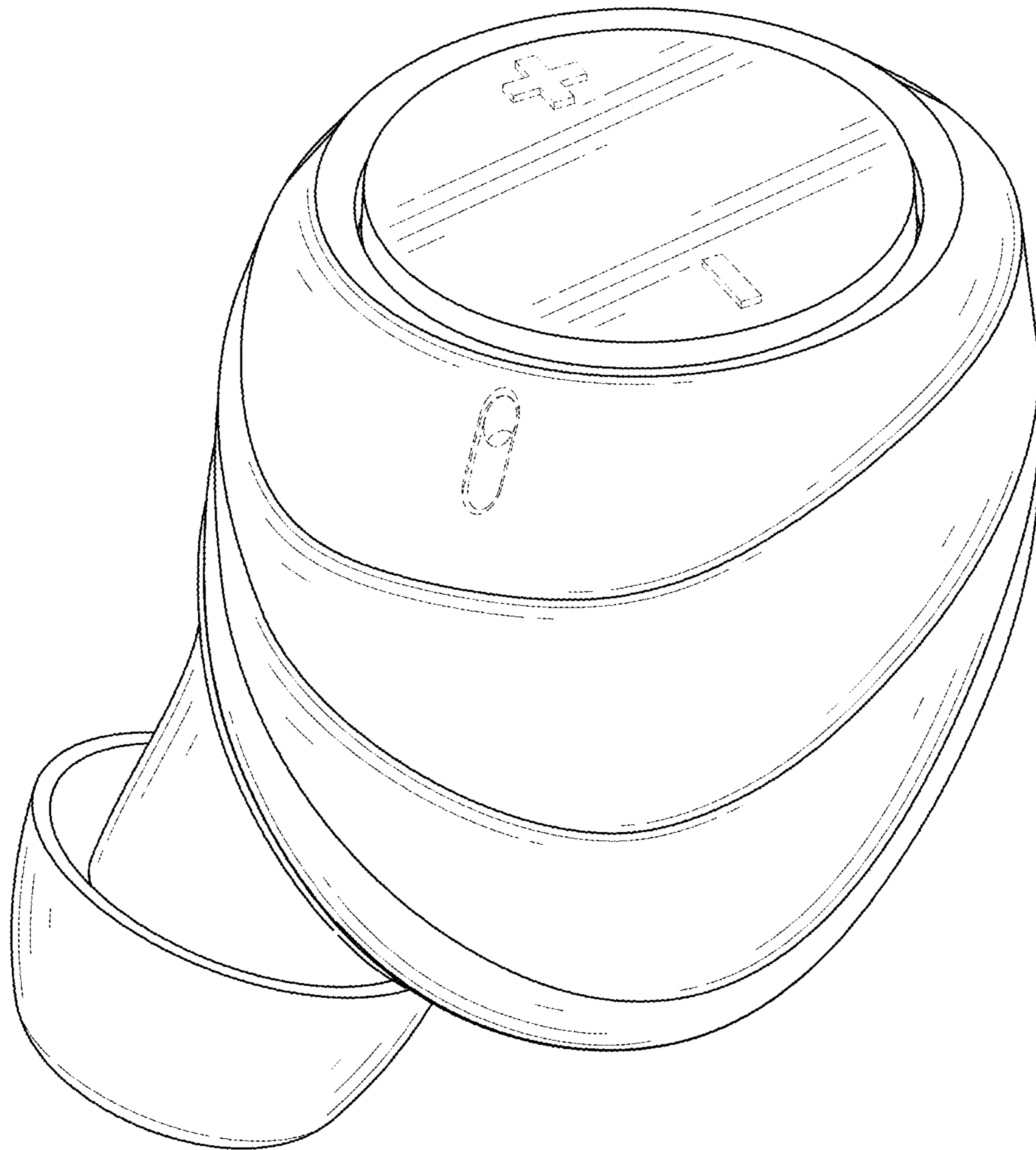


FIG. 10

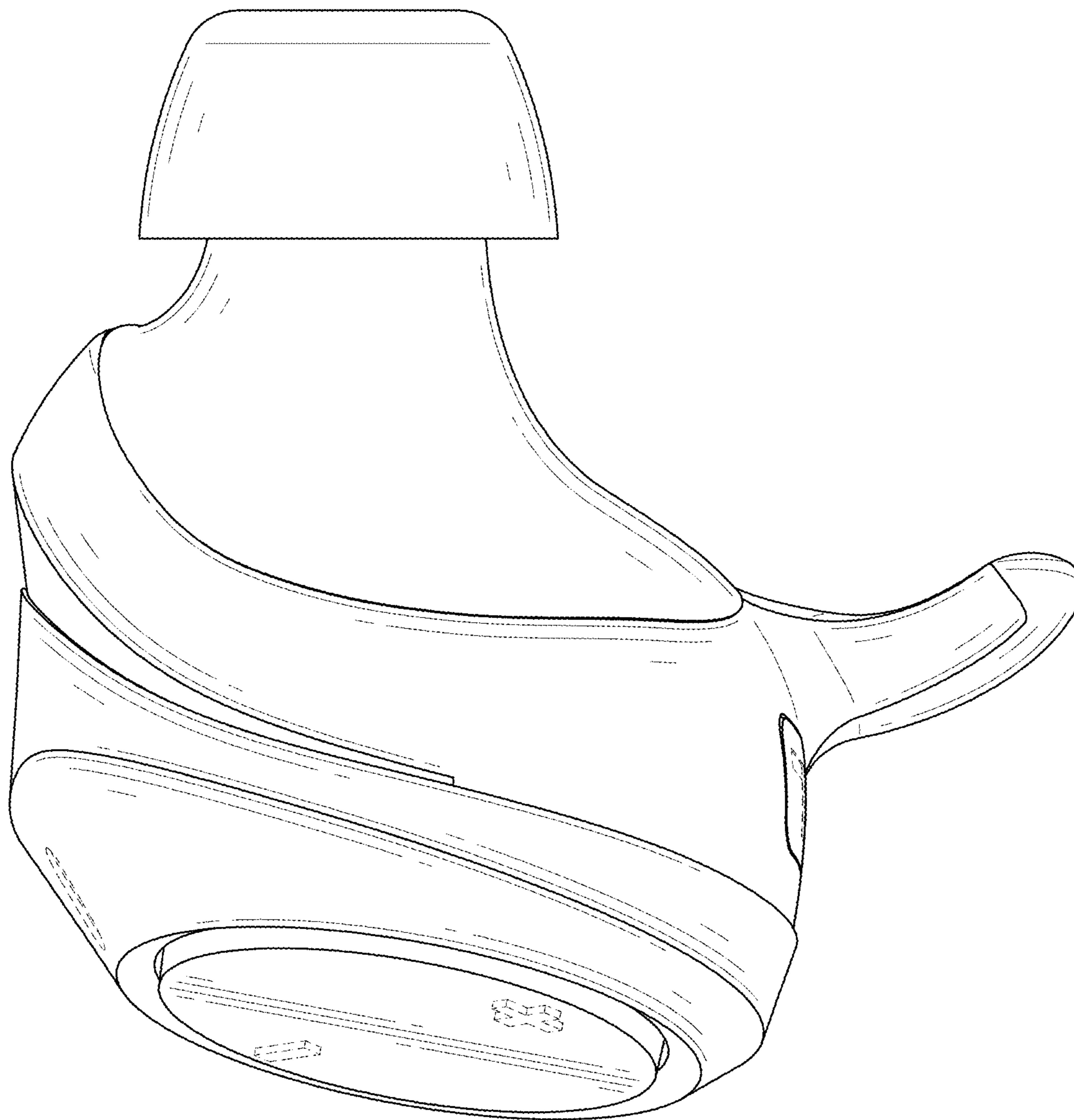


FIG. 11

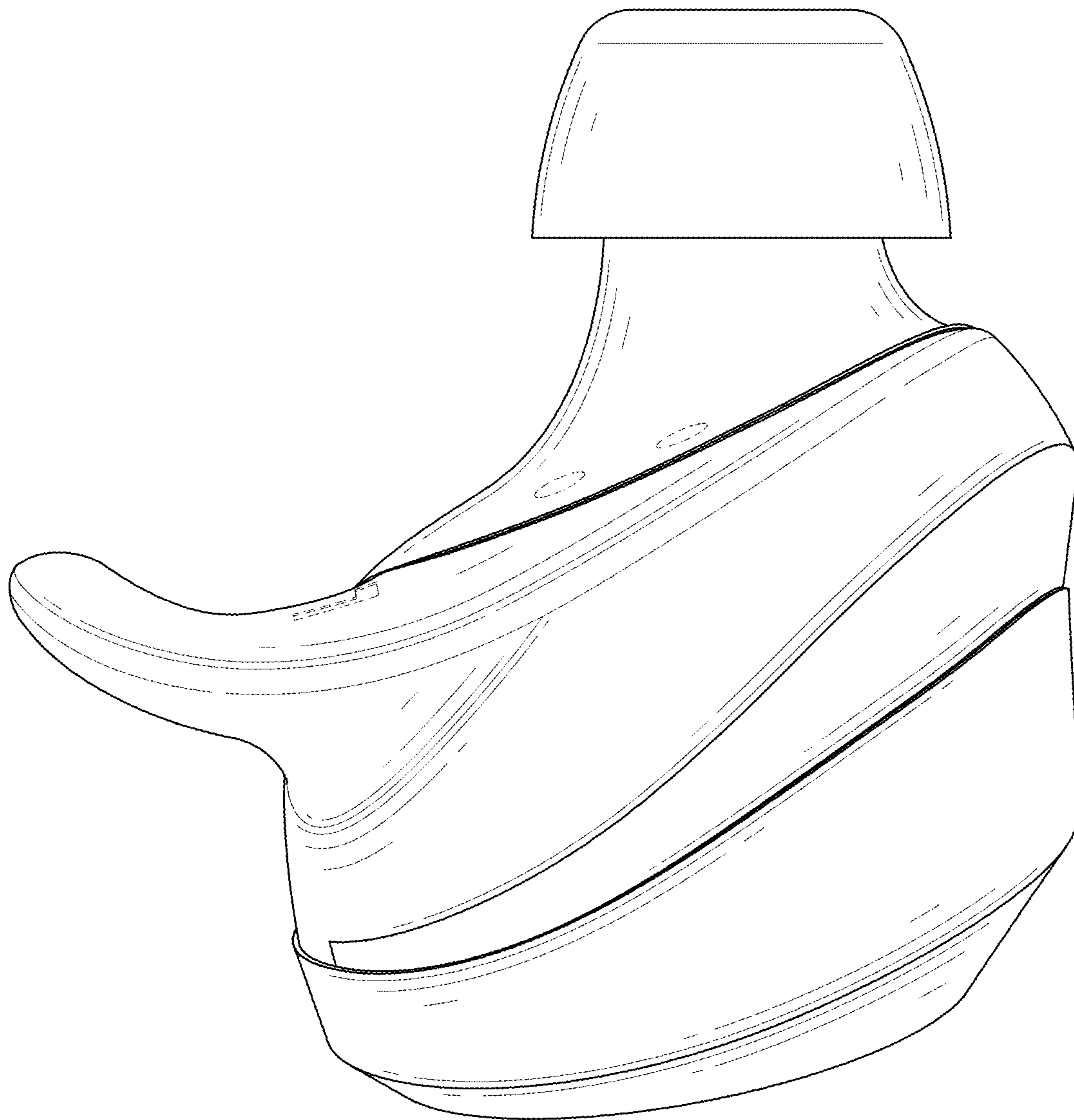


FIG. 12



FIG. 13

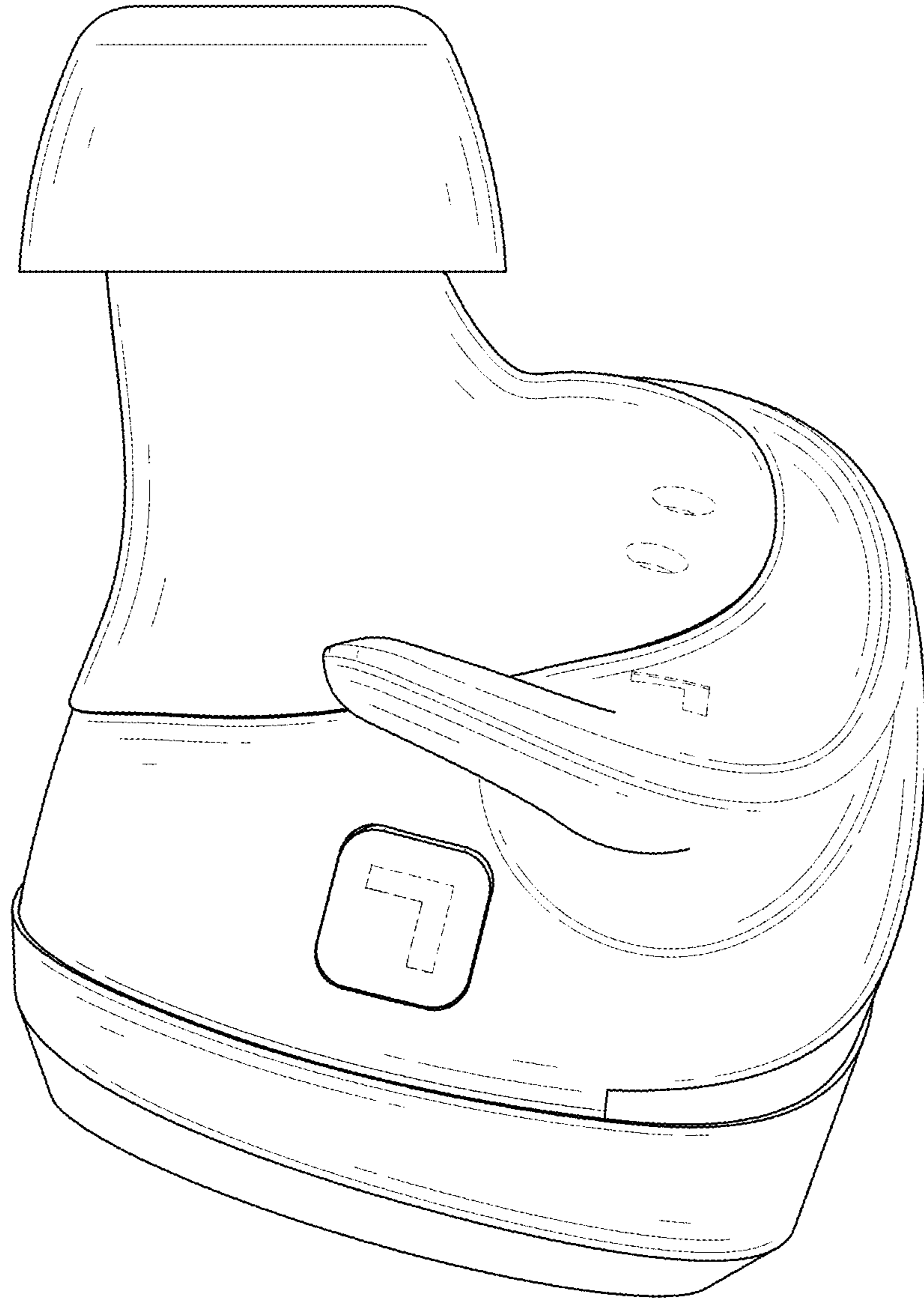


FIG. 14

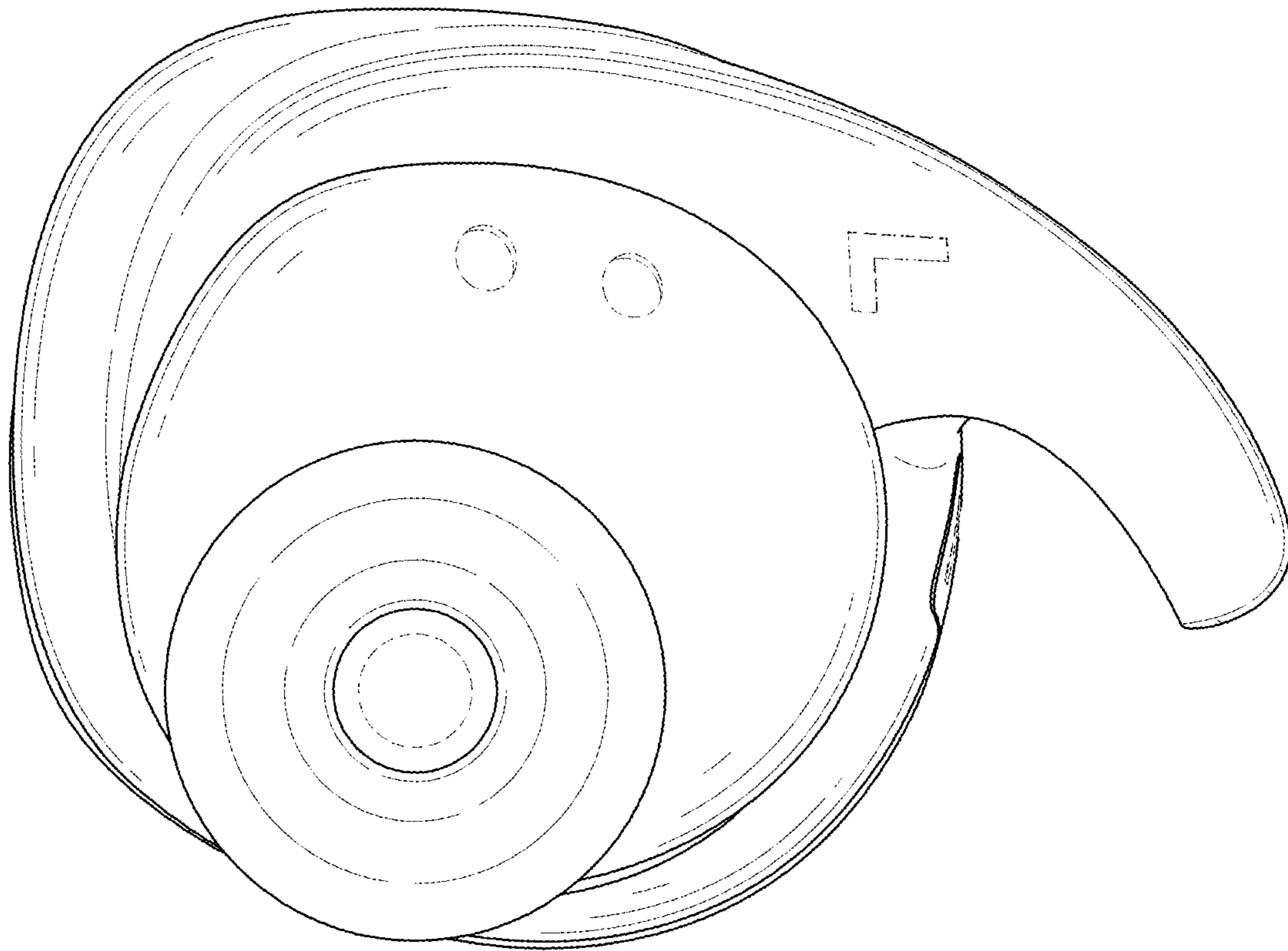


FIG. 15

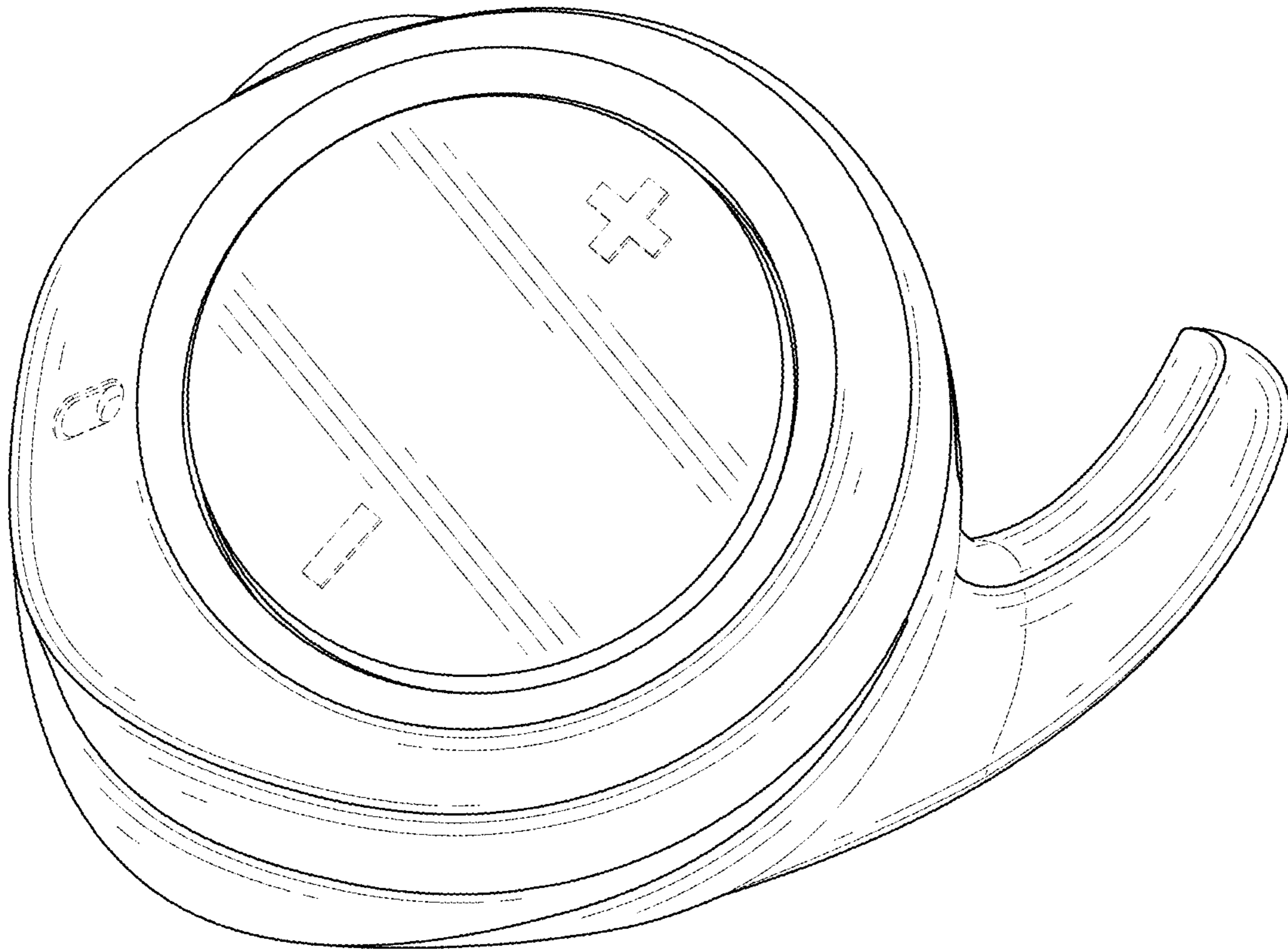


FIG. 16