

US00D871372S

(12) **United States Design Patent**  
**Wang et al.**

(10) **Patent No.:** **US D871,372 S**  
(45) **Date of Patent:** **\*\* Dec. 31, 2019**

(54) **SPEAKER**

(71) Applicant: **Logitech Europe S.A.**, Lausanne (CH)

(72) Inventors: **Wenwei Wang**, Hsinchu (TW);  
**Ming-Hsiang Weng**, Hsinchu County  
(TW); **Jeremy David Baker**,  
Homestead, FL (US); **Olivier Gregoire**,  
Oakland, CA (US)

(73) Assignee: **Logitech Europe S.A.**, Lausanne (CH)

(\*\*) Term: **15 Years**

(21) Appl. No.: **29/602,251**

(22) Filed: **Apr. 28, 2017**

(51) **LOC (12) Cl.** ..... **14-01**

(52) **U.S. Cl.**  
USPC ..... **D14/216**

(58) **Field of Classification Search**  
USPC ..... D14/167, 168, 170–172, 188, 194–196,  
D14/204, 209.1, 210–216, 219, 221, 222,  
D14/224, 239, 496, 192; D9/600, 665;  
D26/42, 54

CPC ..... B60R 11/0217; G06F 1/1688; G10K 9/22;  
G10K 11/004; H03F 1/327; H04M 1/03;  
H04M 1/035; H04N 5/642; H04N  
21/4852; H04R 1/02; H04R 1/06; H04R  
1/021; H04R 1/025; H04R 1/026; H04R  
1/028; H04R 1/105; H04R 1/323; H04R  
1/403; H04R 1/2803; H04R 1/2834;  
H04R 5/02; H04R 7/20; H04R 9/06;  
H04R 9/025; H04R 2201/021; H04R  
2400/00; H04R 2400/07; H04R 2499/11;  
H04R 2499/13; H04R 2499/15; H04S  
3/00; H04S 7/30

See application file for complete search history.

(56) **References Cited**

**U.S. PATENT DOCUMENTS**

D488,800 S \* 4/2004 Wiener ..... D14/207  
D706,743 S 6/2014 Lukic et al.

D725,632 S \* 3/2015 Zhao ..... D14/216  
D726,687 S \* 4/2015 Minarik ..... D14/192  
D729,204 S \* 5/2015 Tze-Yen ..... D14/216  
D737,249 S \* 8/2015 Zhao ..... D14/216  
D740,258 S \* 10/2015 Yu ..... D14/216  
D758,348 S 6/2016 Lukic et al.  
D760,195 S 6/2016 Lukic et al.  
D763,826 S \* 8/2016 Devantier ..... D14/216  
D780,153 S 2/2017 Lukic et al.  
D788,070 S 5/2017 Lukic et al.  
D790,510 S \* 6/2017 Xiao ..... D14/216

(Continued)

**OTHER PUBLICATIONS**

U.S. Design Application filed Apr. 4, 2017 for Design U.S. Appl.  
No. 29/599,552, 39 pages.

(Continued)

*Primary Examiner* — Keli L Hill

(74) *Attorney, Agent, or Firm* — Kilpatrick Townsend &  
Stockton LLP

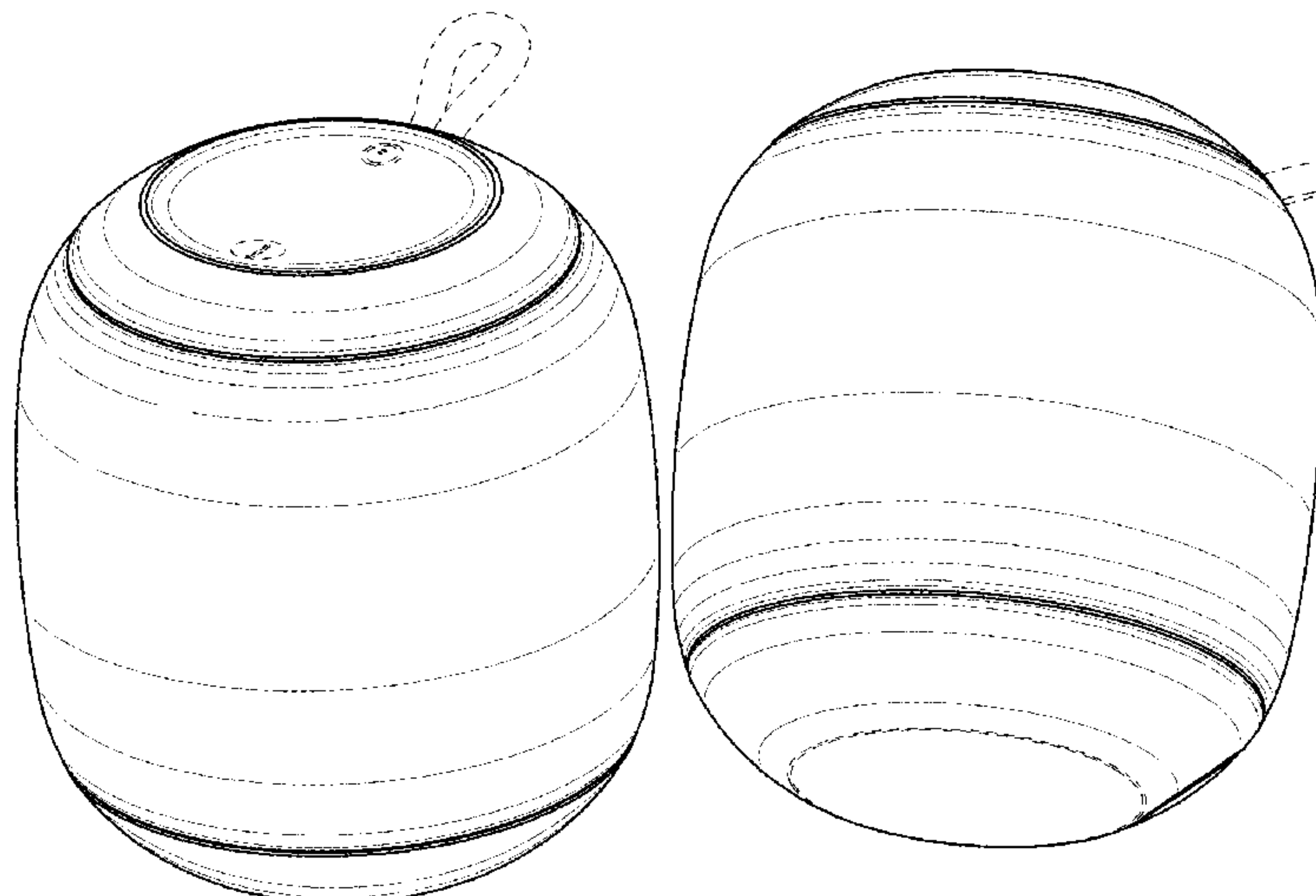
(57) **CLAIM**

The ornamental design for speaker, as shown and described.

**DESCRIPTION**

FIG. 1 is a perspective view of a speaker, showing our new  
design;  
FIG. 2 is a second perspective view thereof;  
FIG. 3 is a top plan view thereof;  
FIG. 4 is a bottom plan view thereof;  
FIG. 5 is a front elevation view thereof;  
FIG. 6 is a rear elevation view thereof;  
FIG. 7 is a left side elevation view thereof; and,  
FIG. 8 is a right side elevation view thereof.  
The broken lines shown in the figures form no part of the  
claimed design.

**1 Claim, 4 Drawing Sheets**



(56)

**References Cited**

U.S. PATENT DOCUMENTS

D795,220 S \* 8/2017 Uziel ..... D14/216  
D810,137 S \* 2/2018 Tsang ..... D14/496

OTHER PUBLICATIONS

U.S. Design Application filed Apr. 5, 2017 for Design U.S. Appl.  
No. 29/599,680, 40 pages.

\* cited by examiner

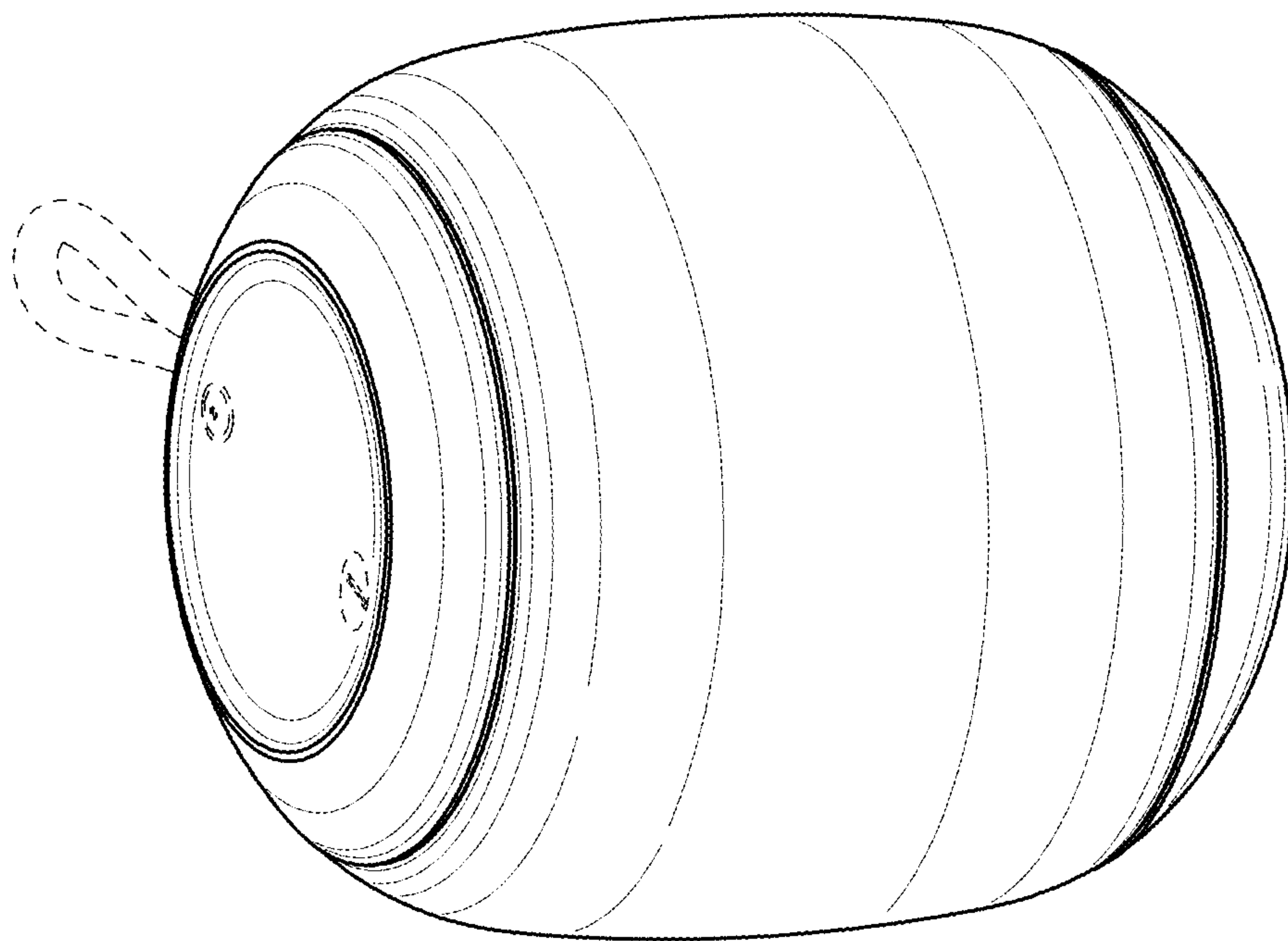


FIG. 1

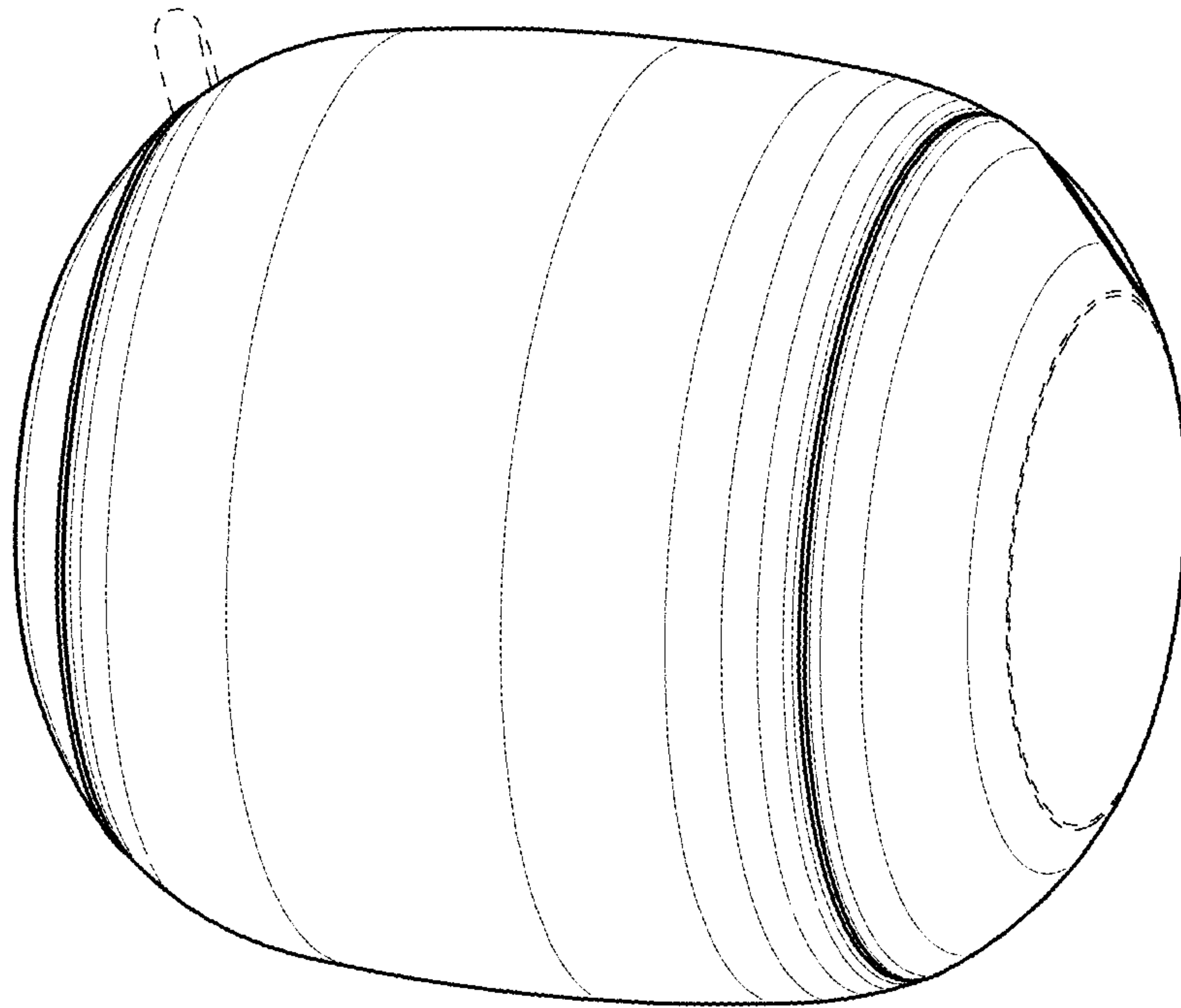


FIG. 2

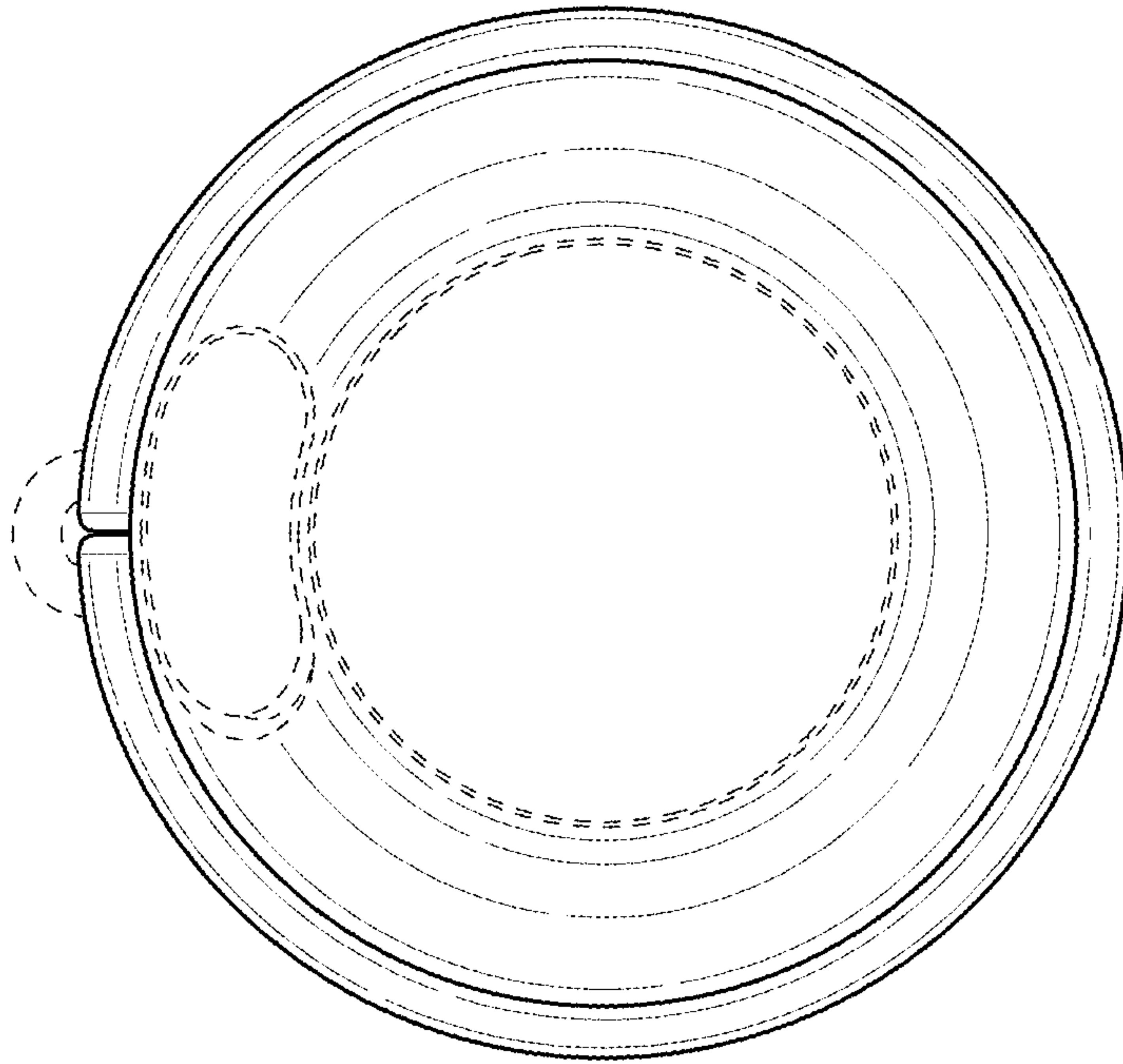


FIG. 4

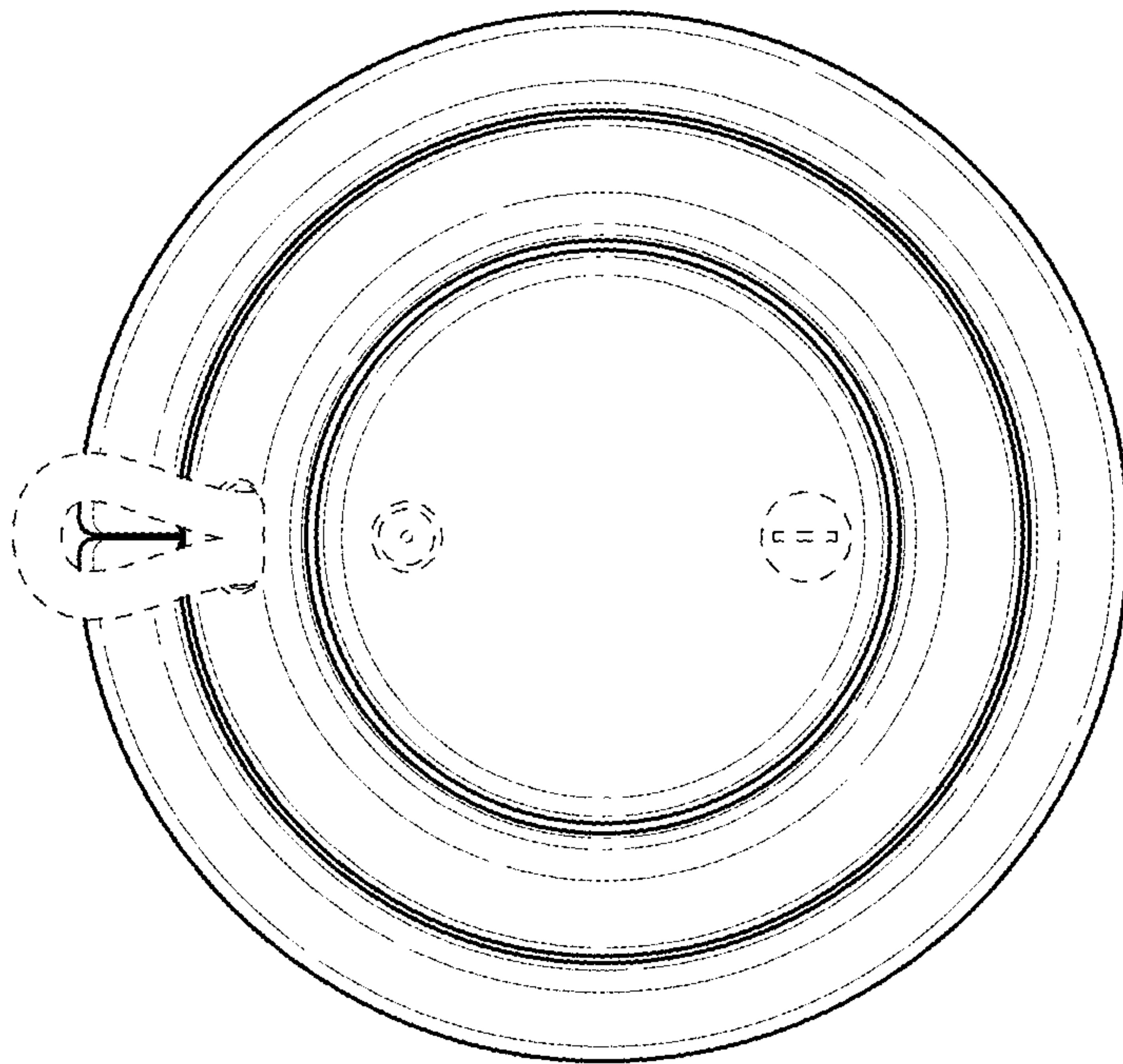


FIG. 3



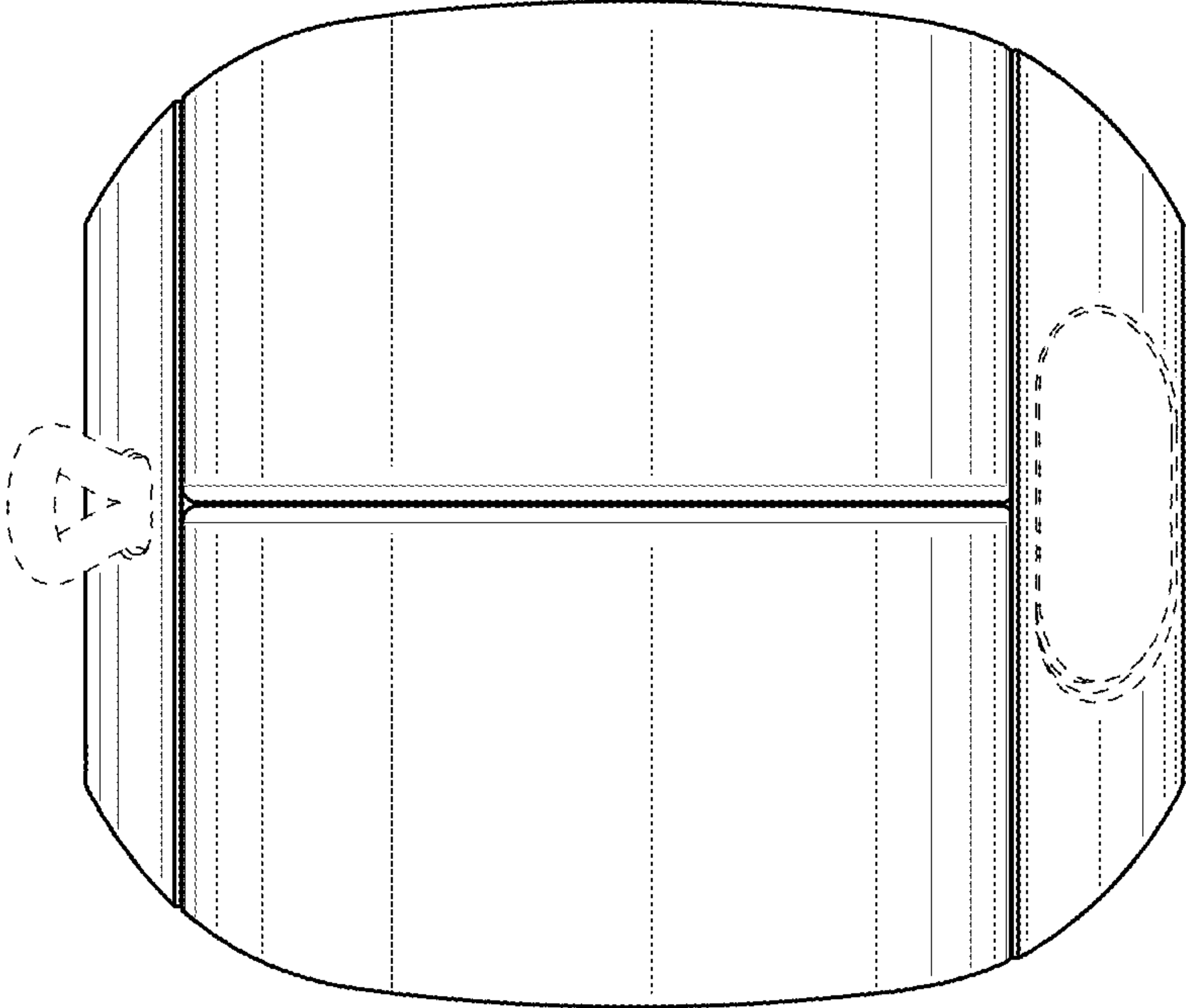


FIG. 5

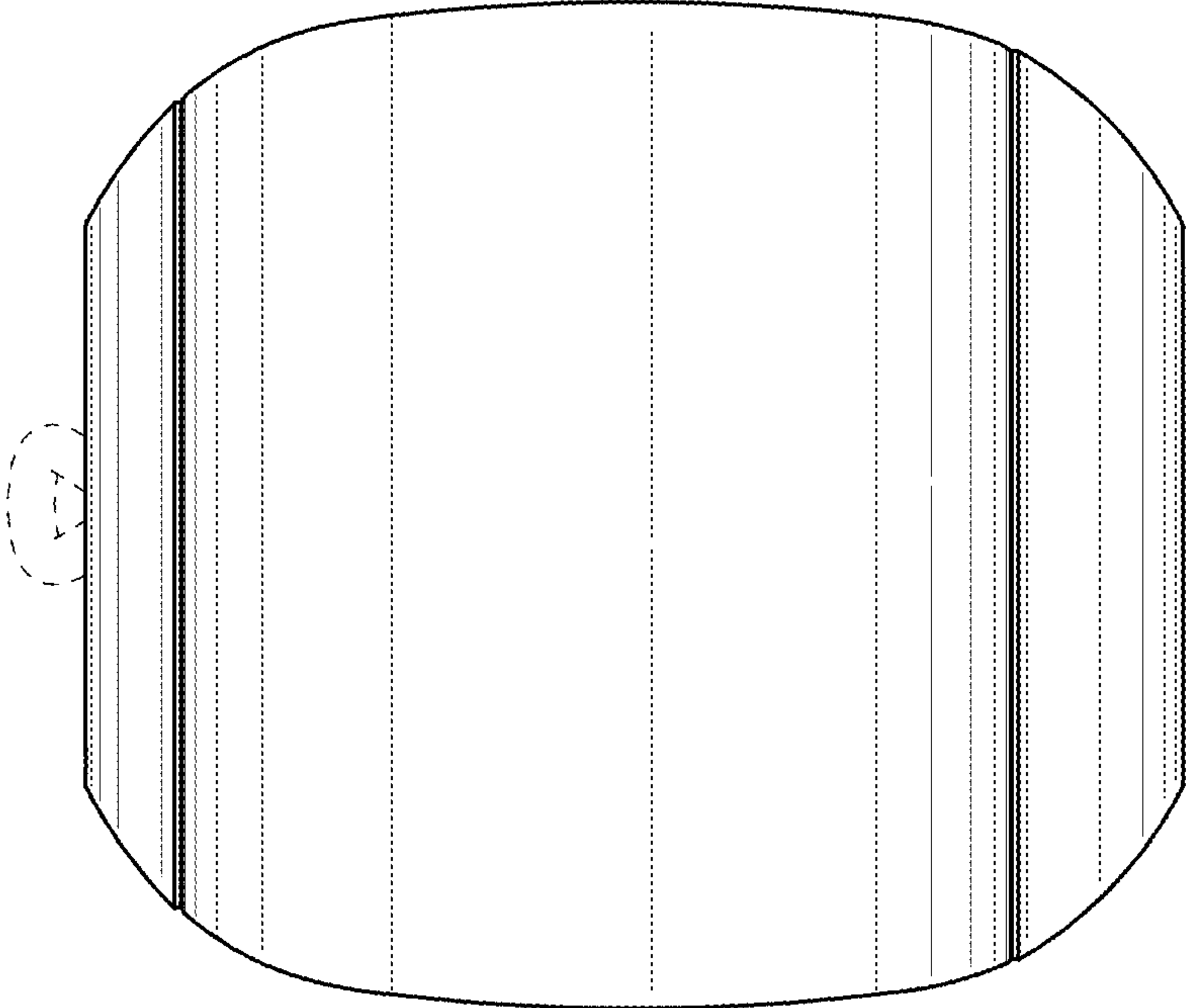


FIG. 6

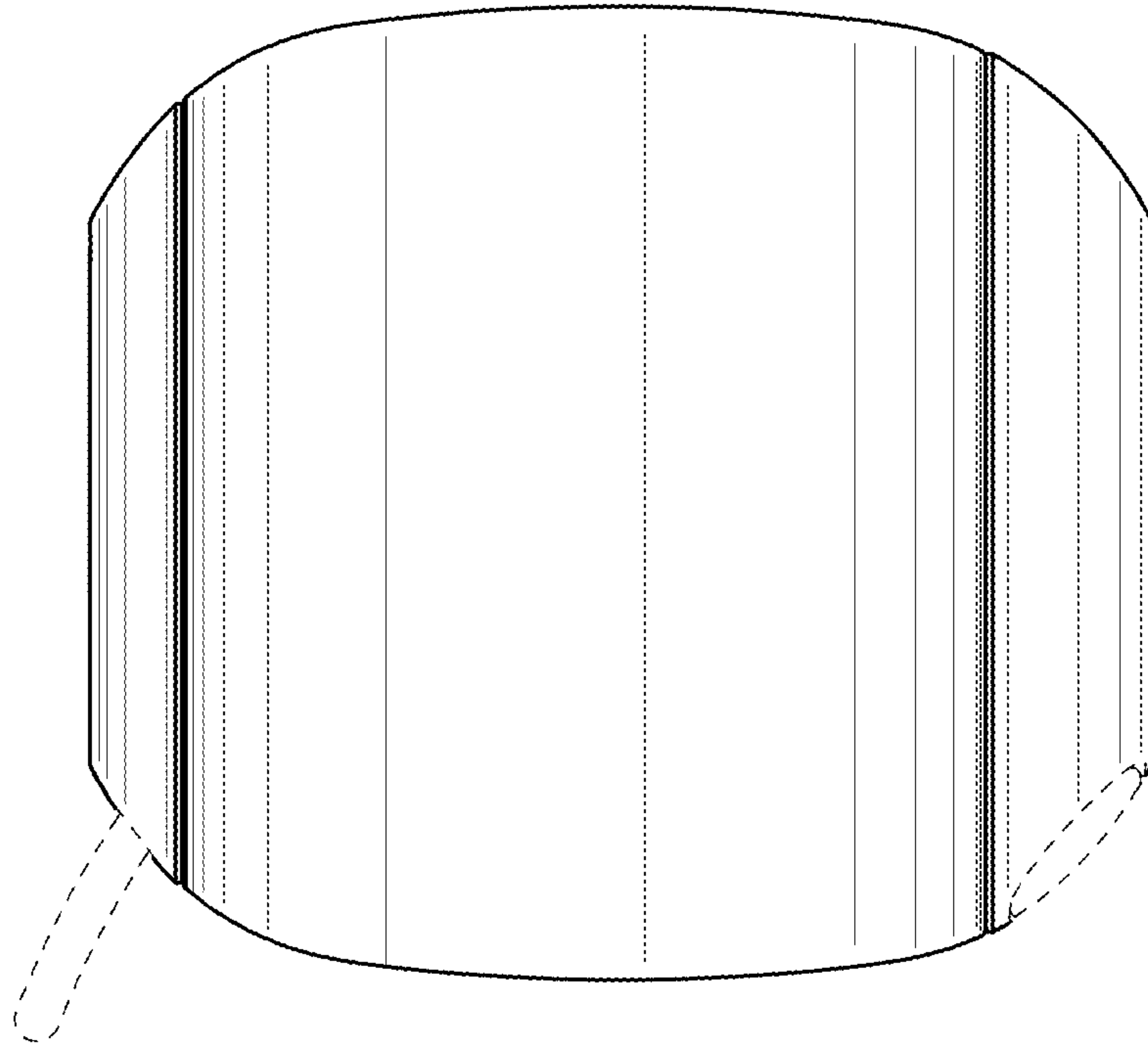


FIG. 8

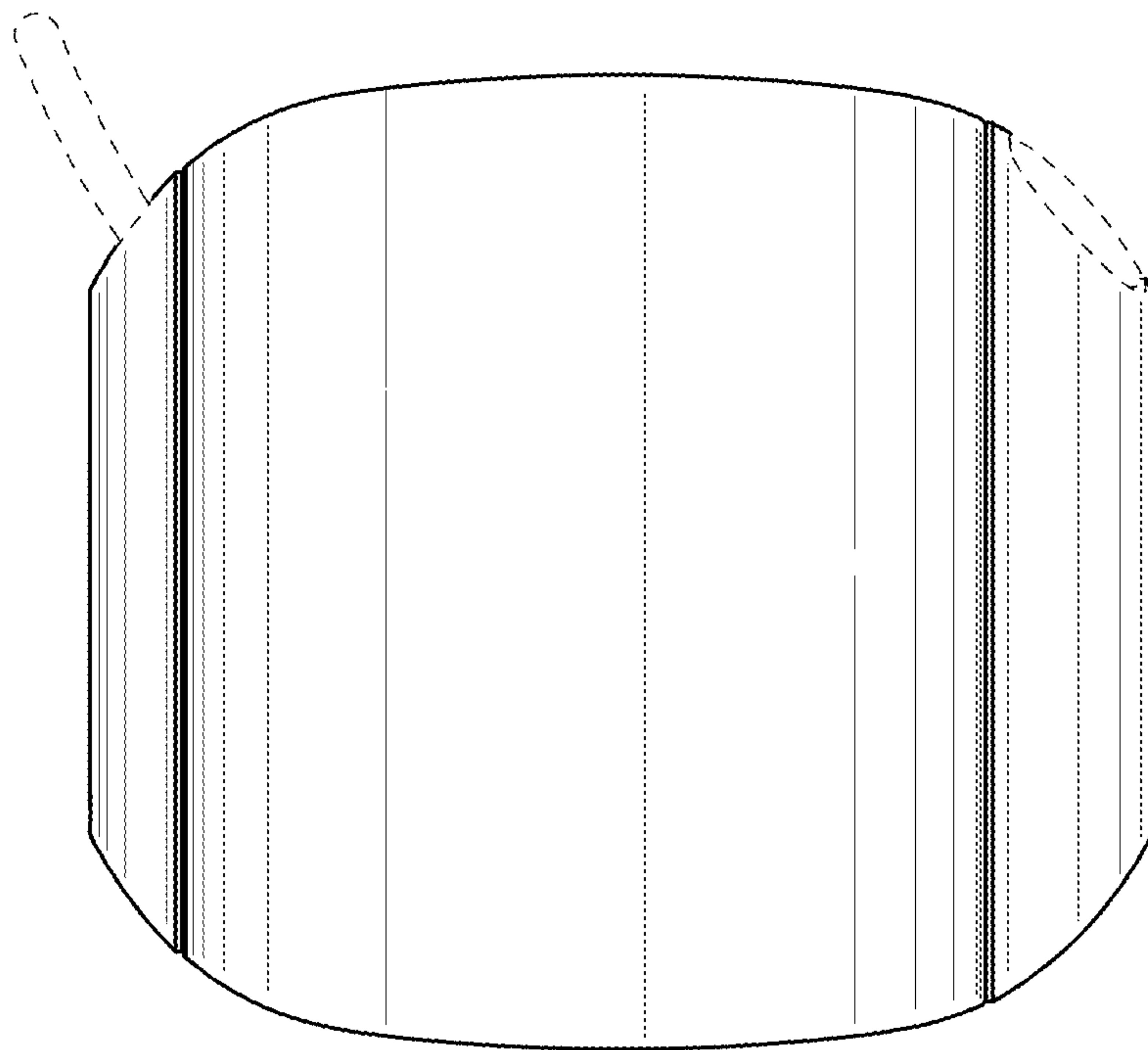


FIG. 7