



US00D871364S

(12) **United States Design Patent**
Lundgard

(10) **Patent No.:** **US D871,364 S**

(45) **Date of Patent:** **** Dec. 31, 2019**

(54) **AUDIO AMPLIFIER**

(71) Applicant: **Eric J. Lundgard**, Midland, MI (US)

(72) Inventor: **Eric J. Lundgard**, Midland, MI (US)

(**) Term: **15 Years**

(21) Appl. No.: **29/697,980**

(22) Filed: **Jul. 12, 2019**

(51) **LOC (12) Cl.** **14-01**

(52) **U.S. Cl.**
USPC **D14/188**

(58) **Field of Classification Search**

USPC D14/162, 167-169, 175, 179, 188,
D14/194-198, 217, 257, 265, 299, 496
CPC B60R 11/0217; G06F 1/1688; G10K 9/22;
G10K 11/004; H03F 1/327; H04M 1/03;
H04M 1/035; H04N 5/642; H04N
21/4852; H04R 1/02; H04R 1/06; H04R
1/021; H04R 1/025; H04R 1/026; H04R
1/028; H04R 1/105; H04R 1/323; H04R
1/403; H04R 1/2803; H04R 1/2834;
H04R 5/02; H04R 7/20; H04R 9/06;
H04R 9/025; H04R 2201/021; H04R
2400/00; H04R 2400/07; H04R 2499/11;
H04R 2499/13; H04R 2499/15; H04S
3/00; H04S 7/30

See application file for complete search history.

(56) **References Cited**

U.S. PATENT DOCUMENTS

D250,025 S * 10/1978 Stout D14/217
D253,752 S * 12/1979 Dilgard, Jr. D10/104.1
D259,565 S * 6/1981 Watanabe D14/197
D259,789 S * 7/1981 Watanabe D14/197

D315,722 S * 3/1991 Imamura D14/355
D598,004 S * 8/2009 Lam
D662,910 S * 7/2012 Warden D14/188
D669,992 S 10/2012 Schafer et al.
D678,863 S 3/2013 Inada
D682,252 S * 5/2013 Behringer D14/188
D729,762 S 5/2015 Hu et al.
D742,352 S * 11/2015 Nardin D14/188
D746,254 S * 12/2015 Ito D14/188
D776,078 S * 1/2017 Williamson D14/188
D810,044 S * 2/2018 Ohmachi D14/188
D813,189 S 3/2018 Lundgard
D820,798 S * 6/2018 Yurusov D14/125
D844,578 S * 4/2019 Seflic D14/125
D856,299 S * 8/2019 Kuramoto D14/188
D860,959 S * 9/2019 Seflic D14/125

* cited by examiner

Primary Examiner — Keli L Hill

(74) *Attorney, Agent, or Firm* — Mitchell Law PLLC;
Matthew W. Mitchell

(57) **CLAIM**

The ornamental design for an audio amplifier, as shown and described.

DESCRIPTION

FIG. 1 is an isometric view of the audio amplifier of the present invention;

FIG. 2 is a front view thereof;

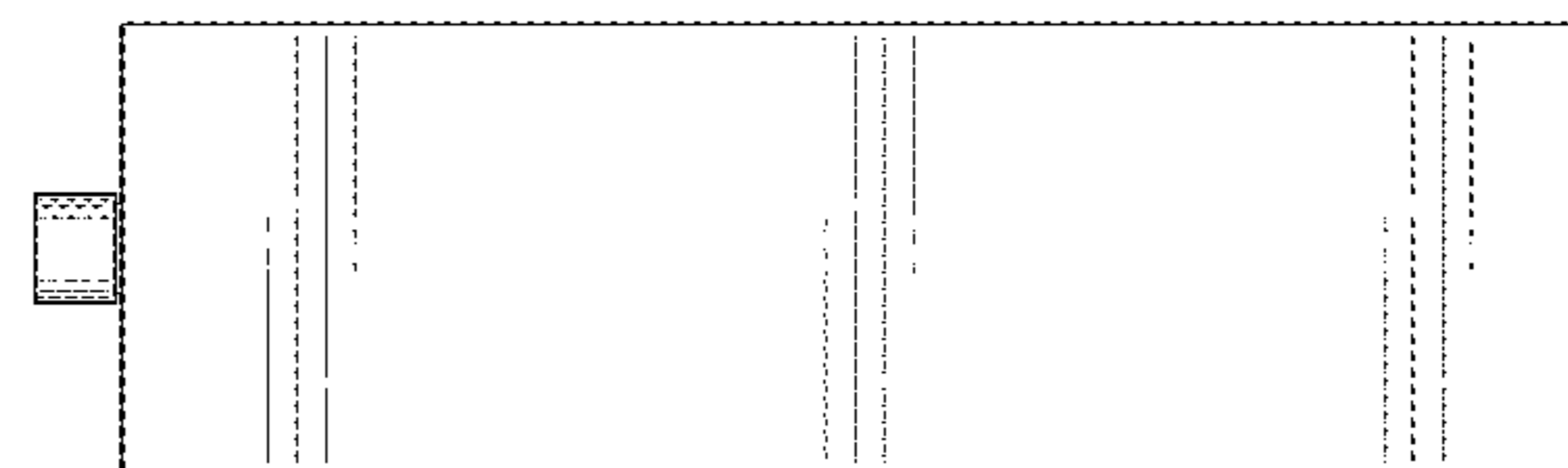
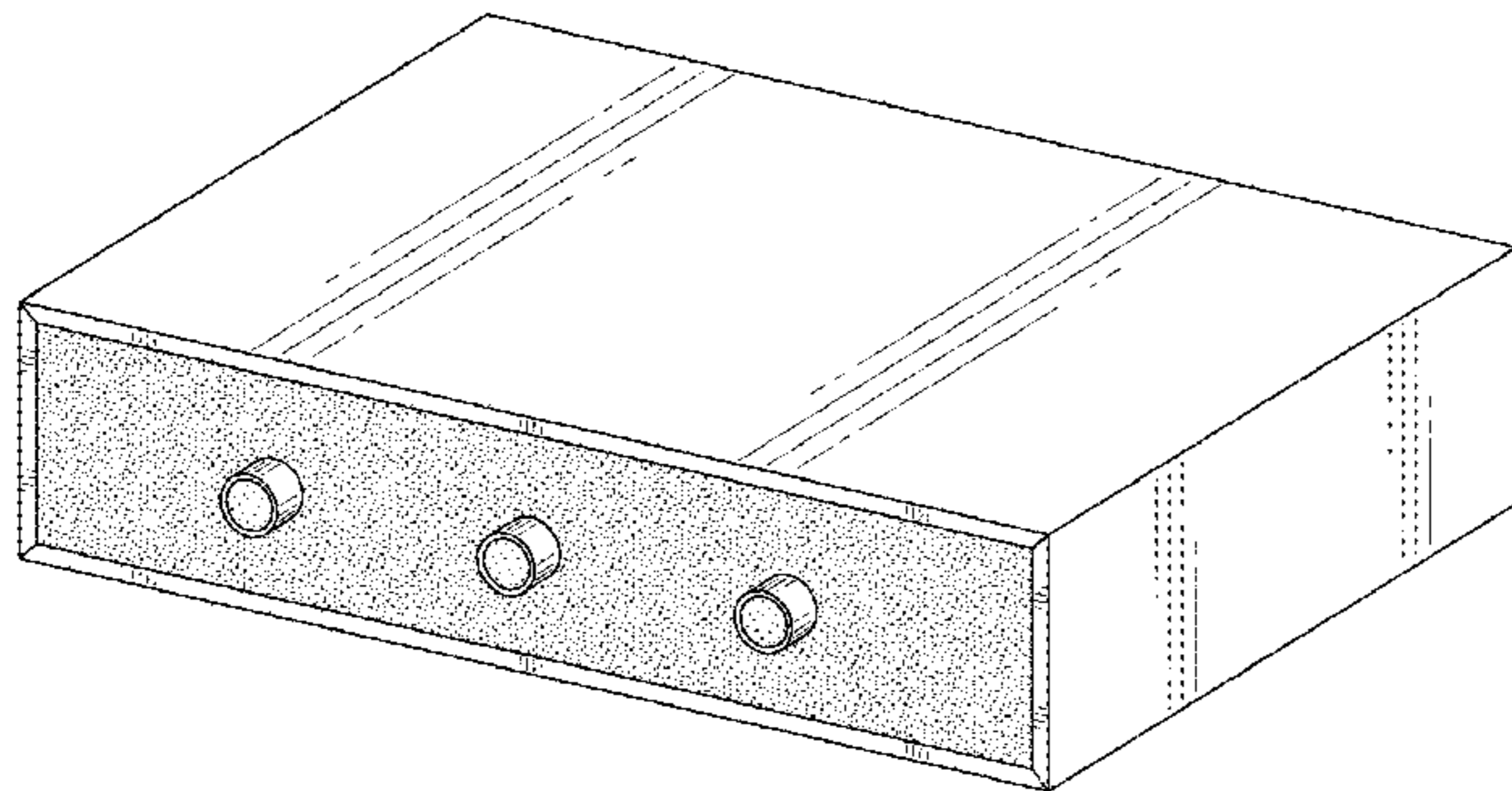
FIG. 3 is a left-side view thereof;

FIG. 4 is a right-side view thereof; and,

FIG. 5 is a top plan view thereof.

Differently stippled areas on the front face and the knob fronts indicate different pastel color surfaces, and while shown intermittently is understood to be extended uniformly across the entire surface upon which it is applied.

1 Claim, 5 Drawing Sheets



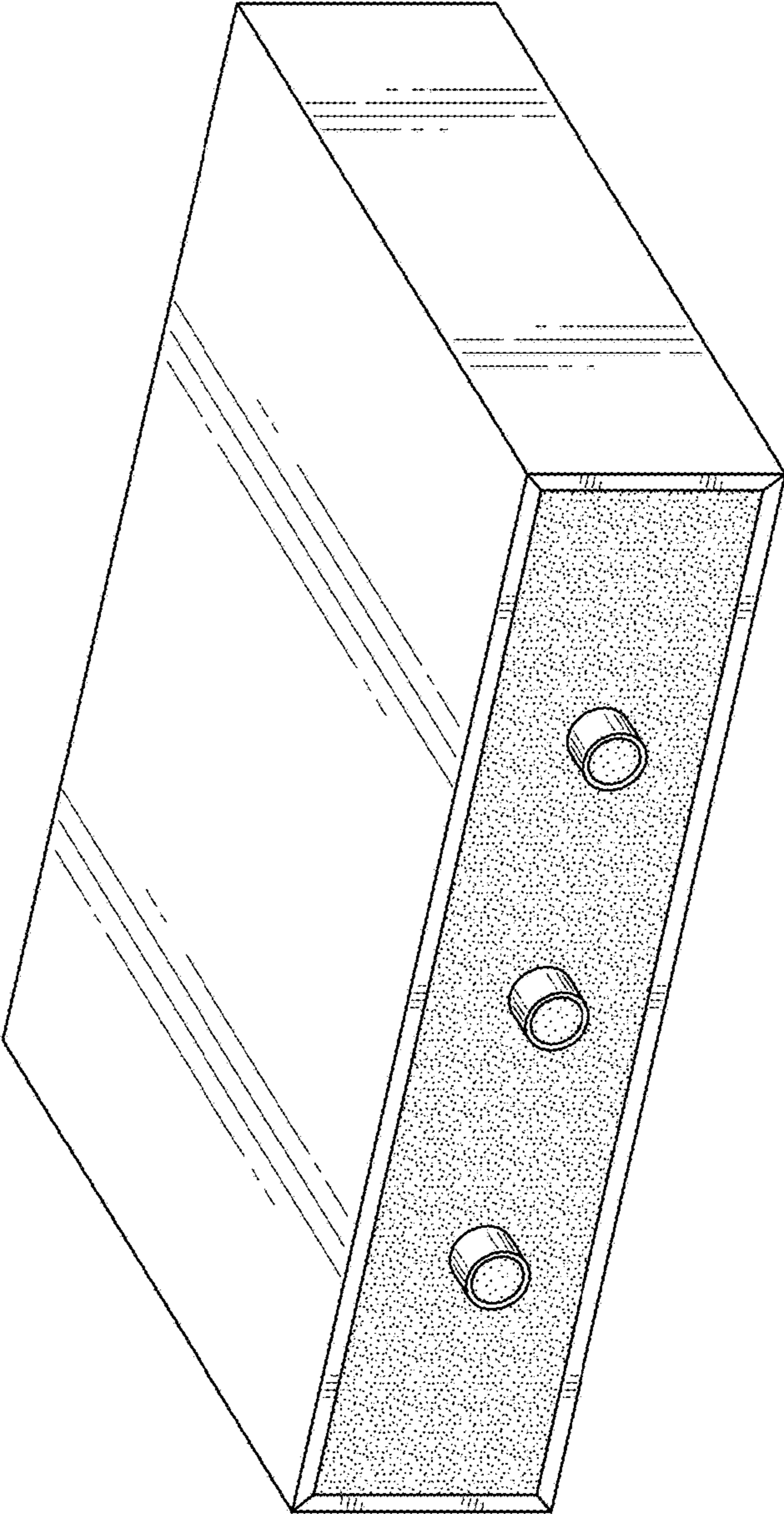


FIG. 1

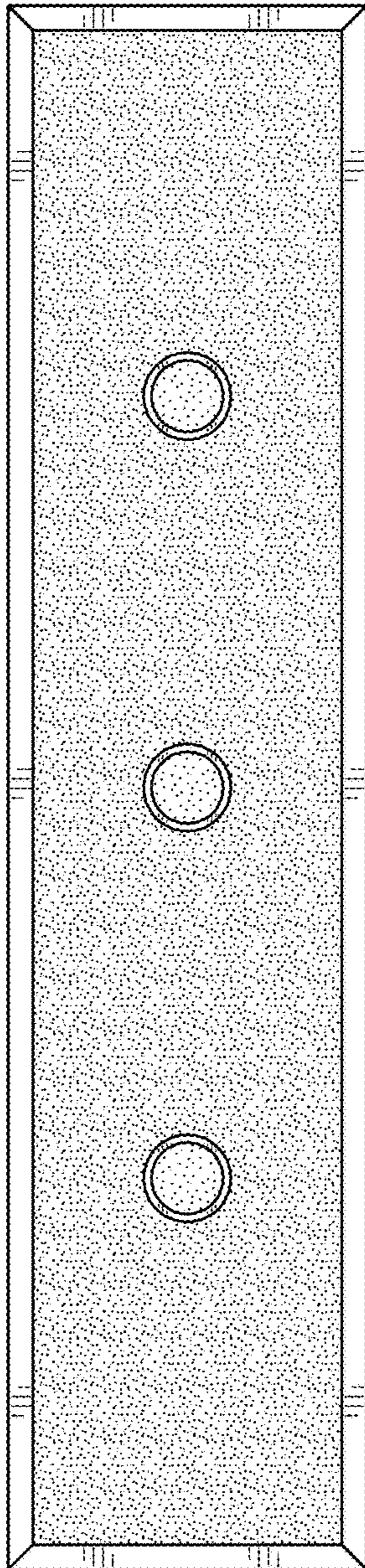


FIG. 2

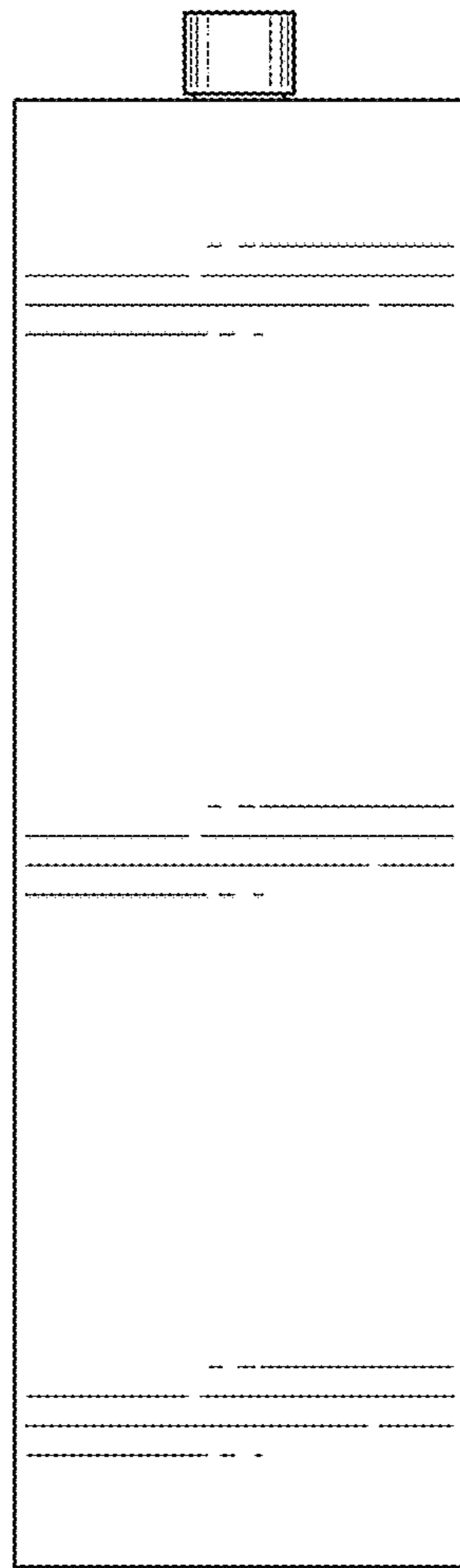


FIG. 3

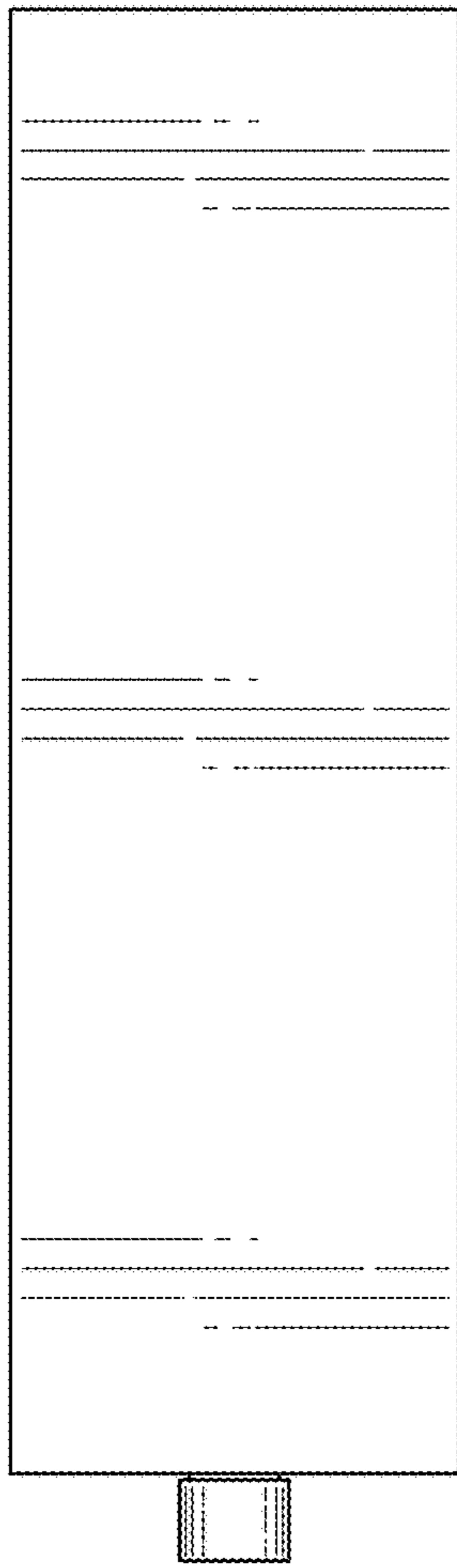


FIG. 4

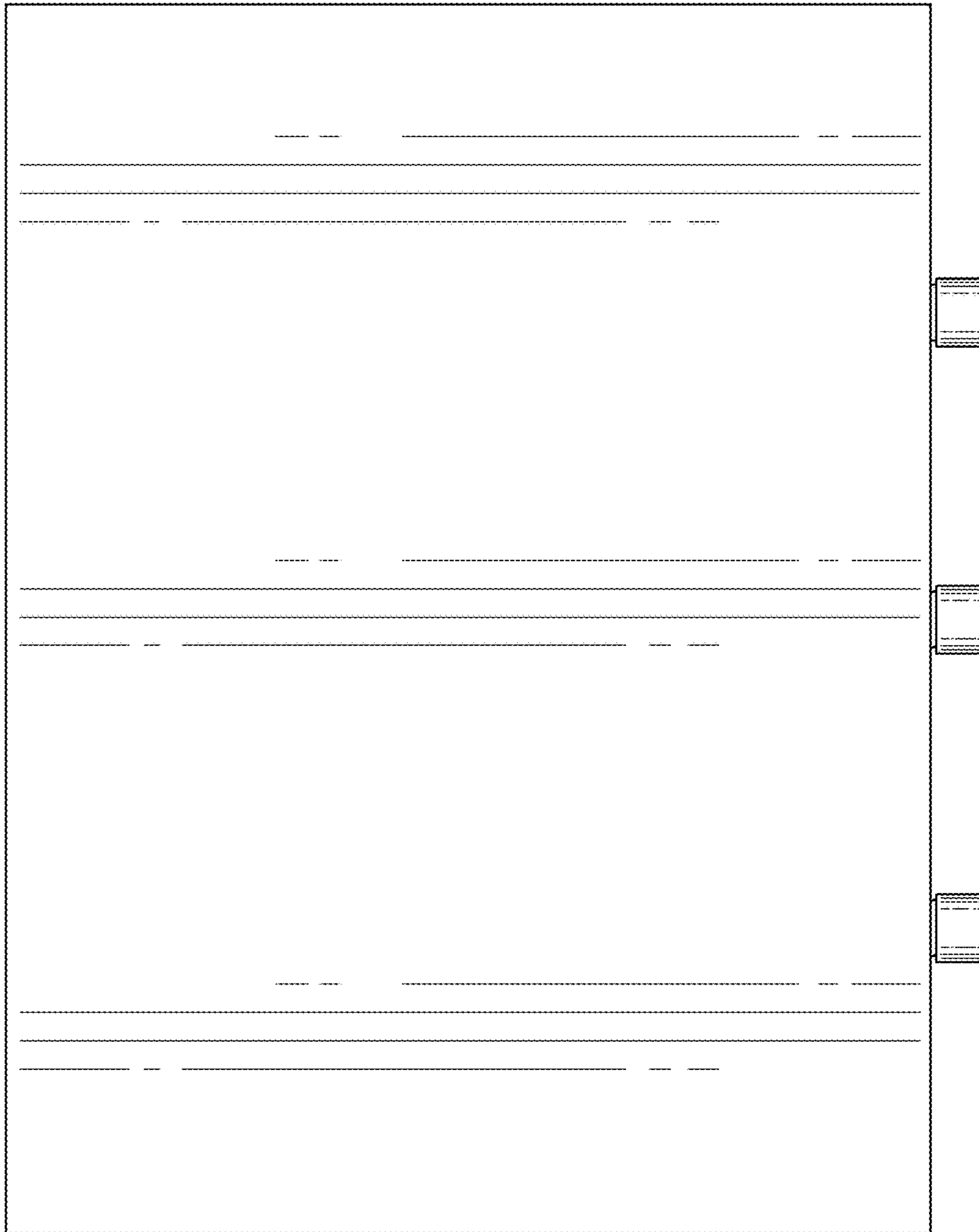


FIG. 5