



US00D871363S

(12) **United States Design Patent**  
**Tang**

(10) **Patent No.:** **US D871,363 S**

(45) **Date of Patent:** **\*\* Dec. 31, 2019**

(54) **IN-CAR BLUETOOTH MP3 PLAYER**

(71) Applicant: **Dongguan Pinmi Electronic Technology Co., Ltd**, Guangdong (CN)

(72) Inventor: **Feitao Tang**, Hunan (CN)

(73) Assignee: **DONGGUAN PINMI ELECTRONIC TECHNOLOGY CO., LTD.**, Dongguan (CN)

(\*\*) Term: **15 Years**

(21) Appl. No.: **29/629,076**

(22) Filed: **Dec. 11, 2017**

(51) **LOC (12) Cl.** ..... **14-03**

(52) **U.S. Cl.**  
USPC ..... **D14/155; D14/203.6**

(58) **Field of Classification Search**  
USPC ..... D14/137, 154–155, 158, 160–165, 167, D14/168, 188, 203.3–203.7, 218, 225, D14/341, 342, 345, 346, 496; D13/107, D13/110, 133, 144; D10/104.1, 65; 455/350, 351  
CPC ..... H04B 1/034; H04B 1/385; H04B 1/082; H04B 1/086; H04M 1/6091; H04M 1/6066; H04M 1/03; H04M 1/035; B60R 11/02; B60R 11/0217; G06F 1/1688; G10K 9/22; G10K 11/004; H03F 1/327  
See application file for complete search history.

(56) **References Cited**

**U.S. PATENT DOCUMENTS**

D641,342 S *	7/2011	Chang	.....	D13/144
D673,504 S *	1/2013	Esses	.....	D13/144
D796,470 S *	9/2017	Du	.....	D14/155
D809,016 S *	1/2018	Yin	.....	D14/496
D812,033 S *	3/2018	Yin	.....	D14/155

D812,034 S *	3/2018	Du	.....	D14/138 R
D834,521 S *	11/2018	Wang	.....	D13/144
D842,261 S *	3/2019	Chen	.....	D14/155
D846,501 S *	4/2019	Esses	.....	D13/144
2005/0181744 A1 *	8/2005	Lin	.....	H04B 1/034 455/90.3
2007/0111700 A1 *	5/2007	Chen	.....	H04B 1/034 455/345
2009/0186576 A1 *	7/2009	Peng	.....	H04M 1/6091 455/41.2

**OTHER PUBLICATIONS**

Dongguan Pinmi Electronic Technology Co., Bluetooth V4.2 Mp3 Player FM transmitter with Dual USB ports, online, no post date, URL: [https://pinmi.manufacturerglobalsources.com/si/6008852498479/pdtl/Global-Sources/1166942453/T19-Bluetooth-V4.2-mp3-player-FM-transmitter.htm?sourceFrom=Supp\\_Overlay](https://pinmi.manufacturerglobalsources.com/si/6008852498479/pdtl/Global-Sources/1166942453/T19-Bluetooth-V4.2-mp3-player-FM-transmitter.htm?sourceFrom=Supp_Overlay), retrieved Jul. 16, 2019.\*

\* cited by examiner

*Primary Examiner* — Jeffrey D Asch  
*Assistant Examiner* — Rebekah A Caruso

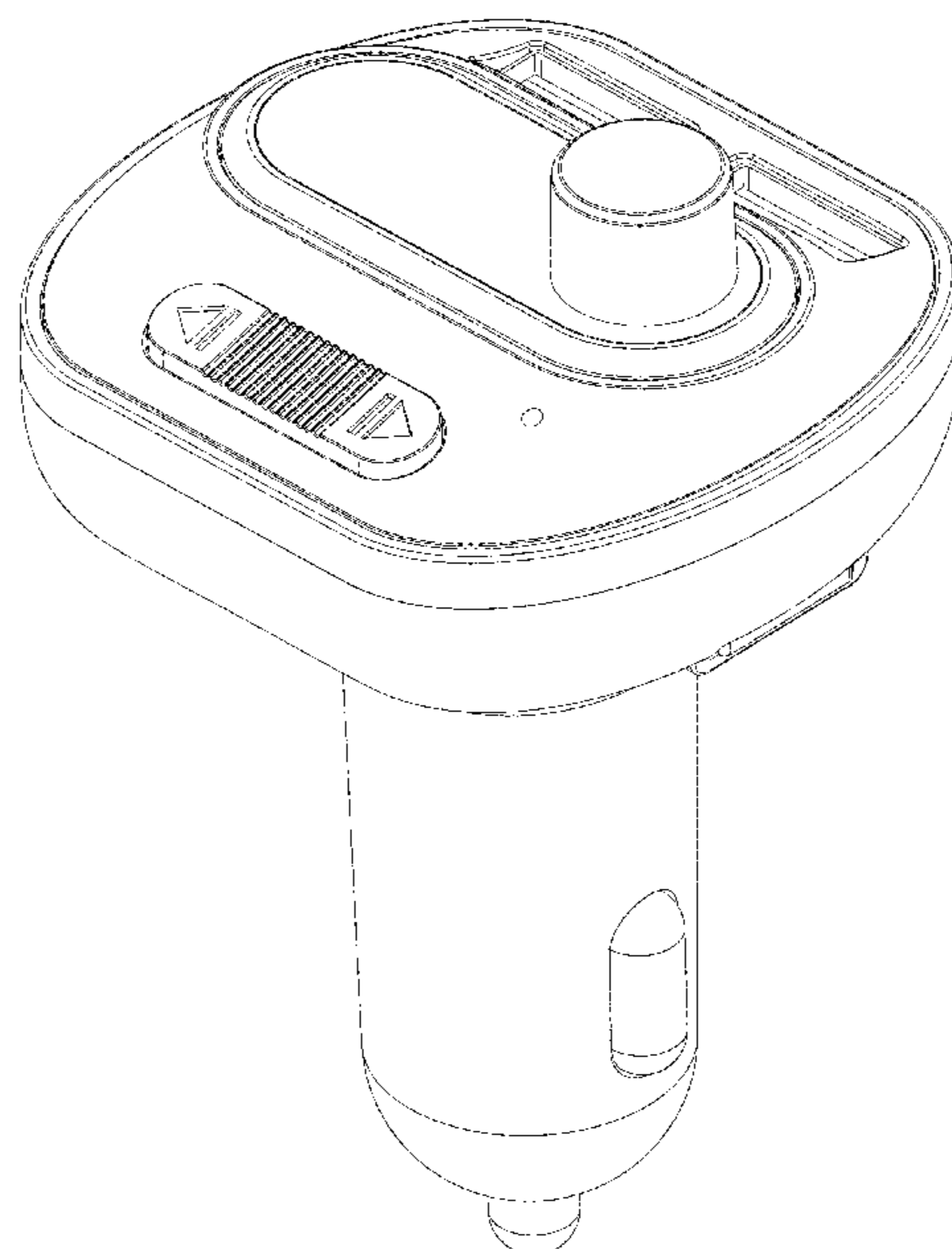
(57) **CLAIM**

The ornamental design for an in-car bluetooth MP3 player, as shown and described.

**DESCRIPTION**

FIG. 1 is a Front elevational view of an in-car bluetooth MP3 player showing new design;  
FIG. 2 is a Rear elevational view thereof;  
FIG. 3 is a Left side view thereof;  
FIG. 4 is a Right side view thereof;  
FIG. 5 is a Top plan view thereof;  
FIG. 6 is a Bottom plan view thereof; and,  
FIG. 7 is a Perspective view thereof.

**1 Claim, 7 Drawing Sheets**



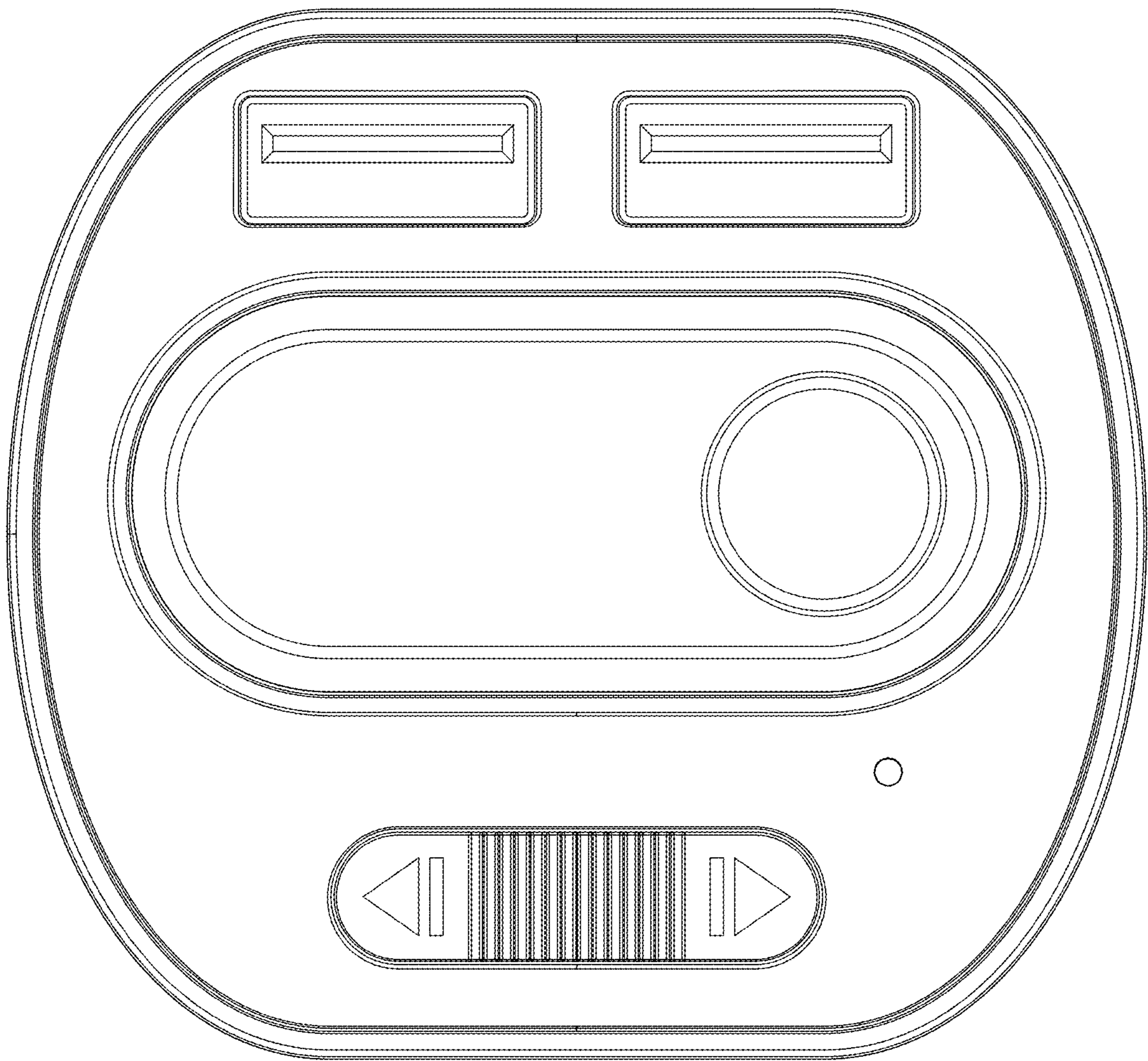


FIG. 1

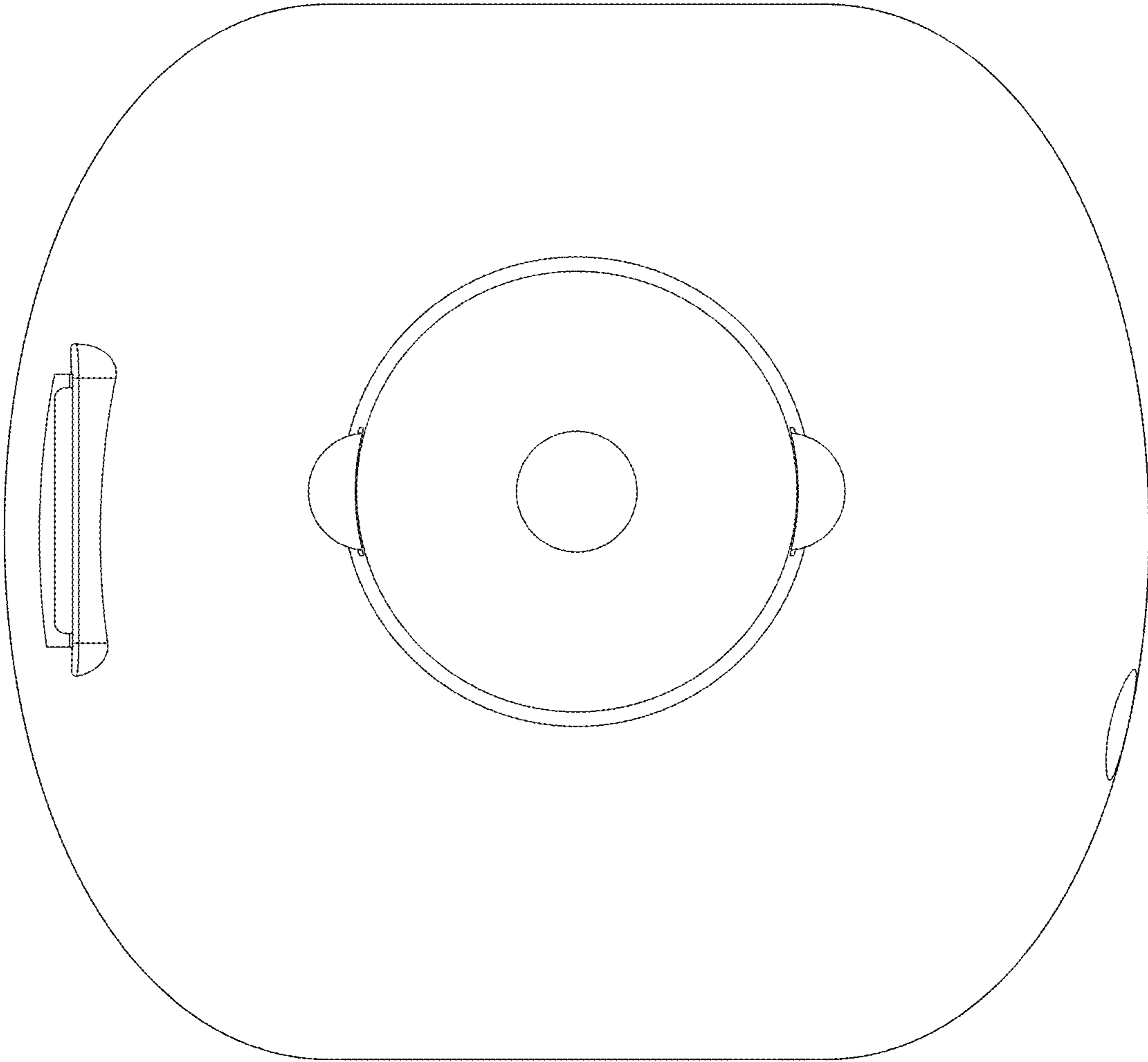


FIG. 2

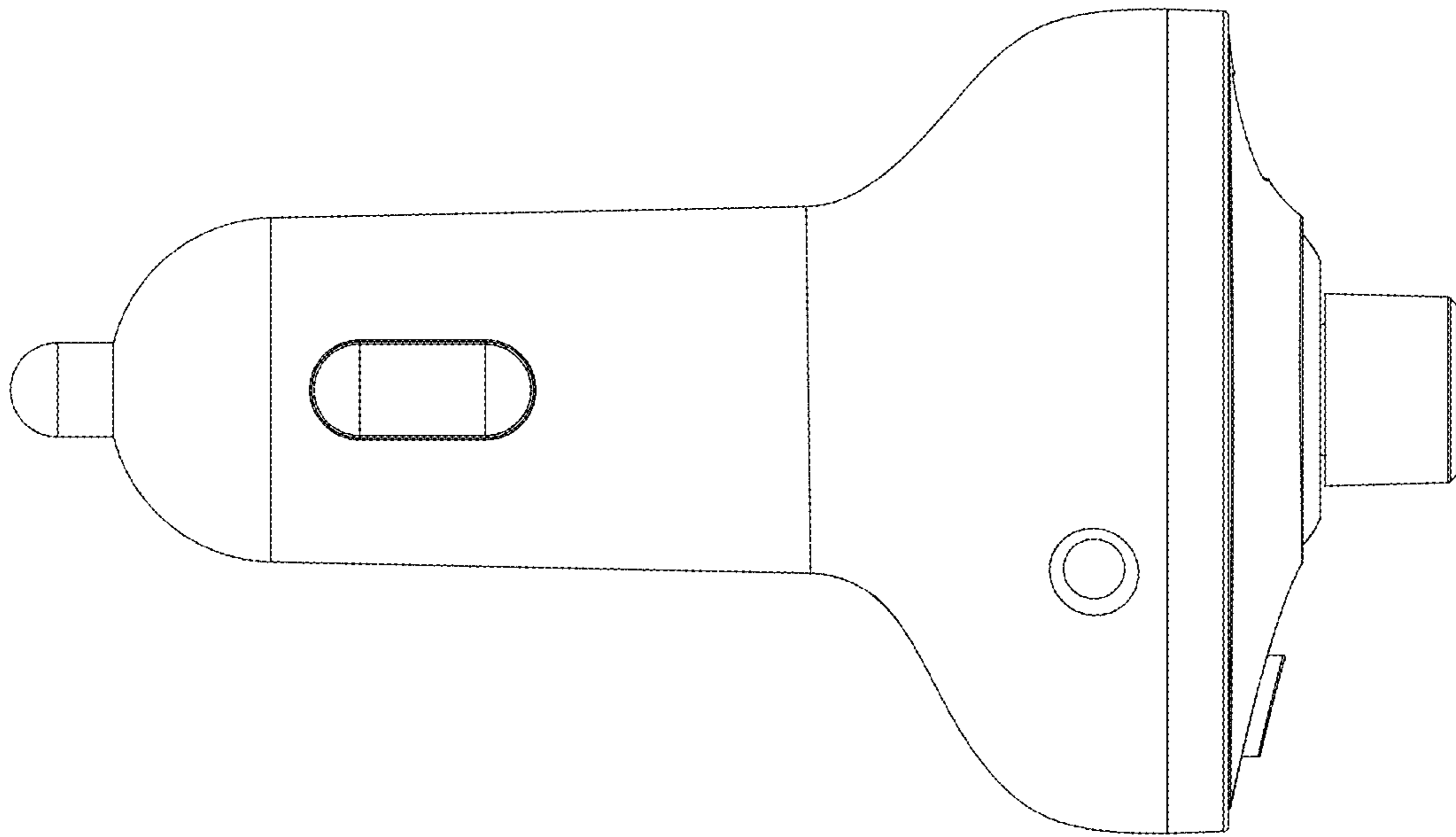


FIG. 3

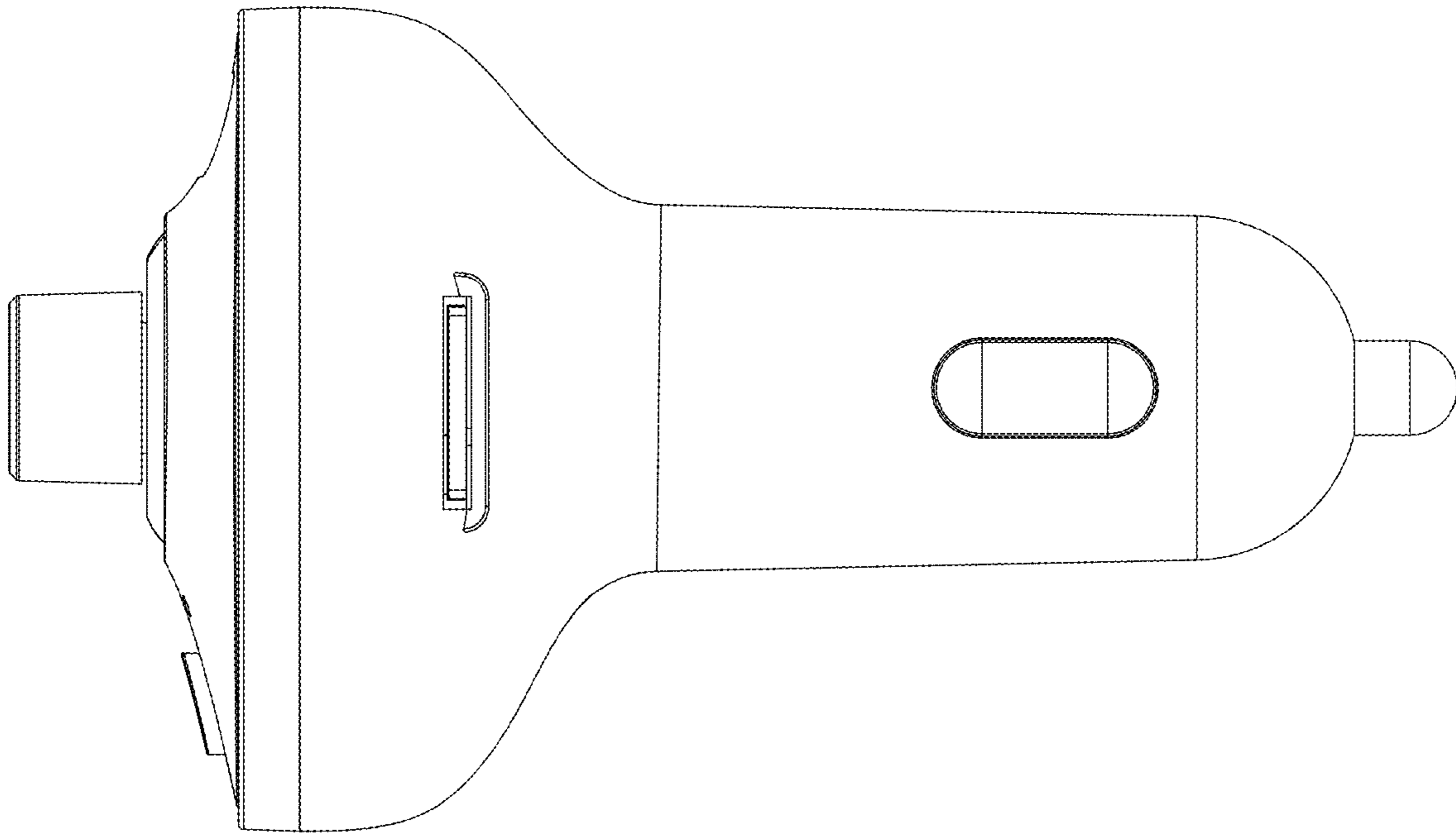


FIG. 4

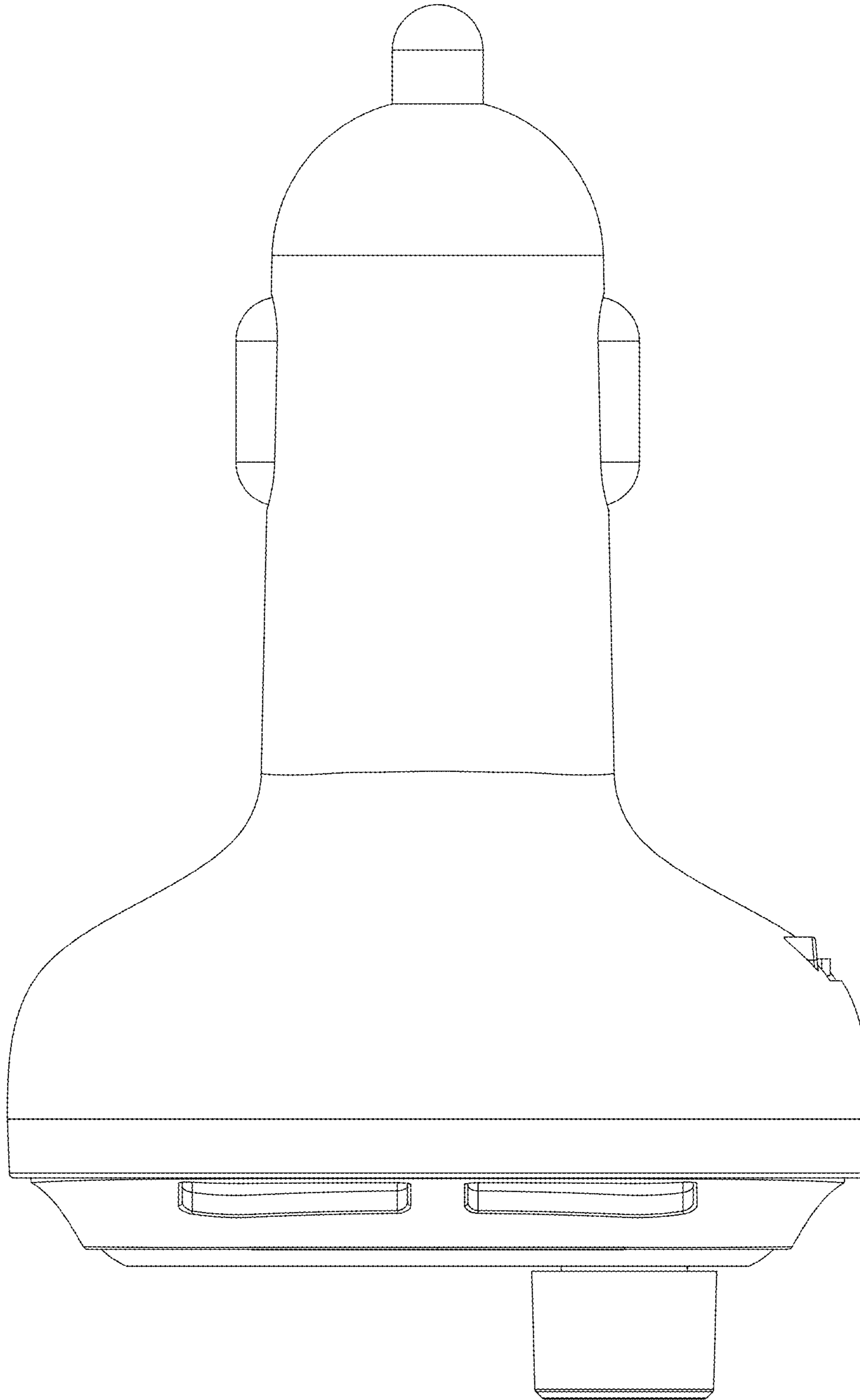


FIG. 5

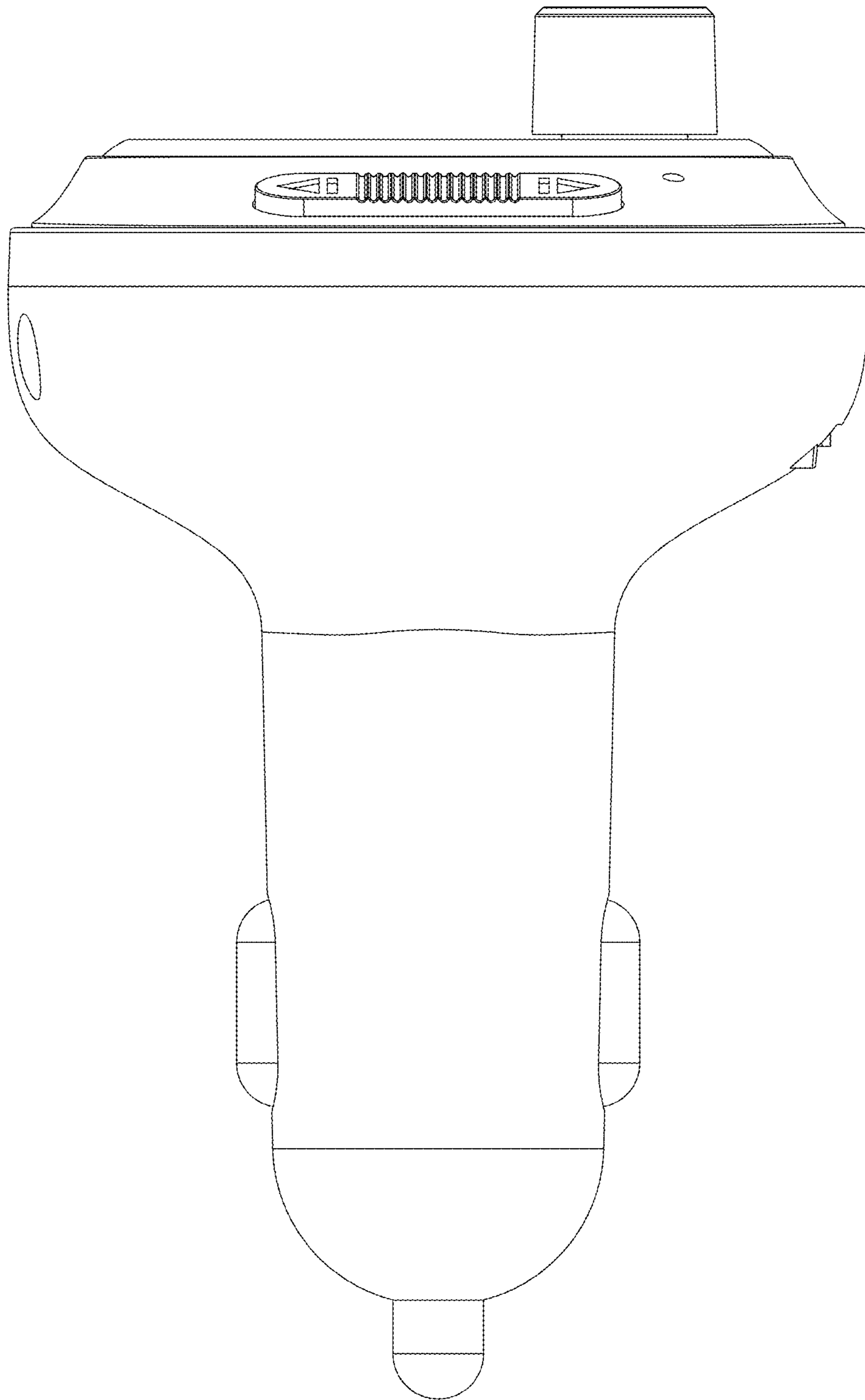


FIG. 6

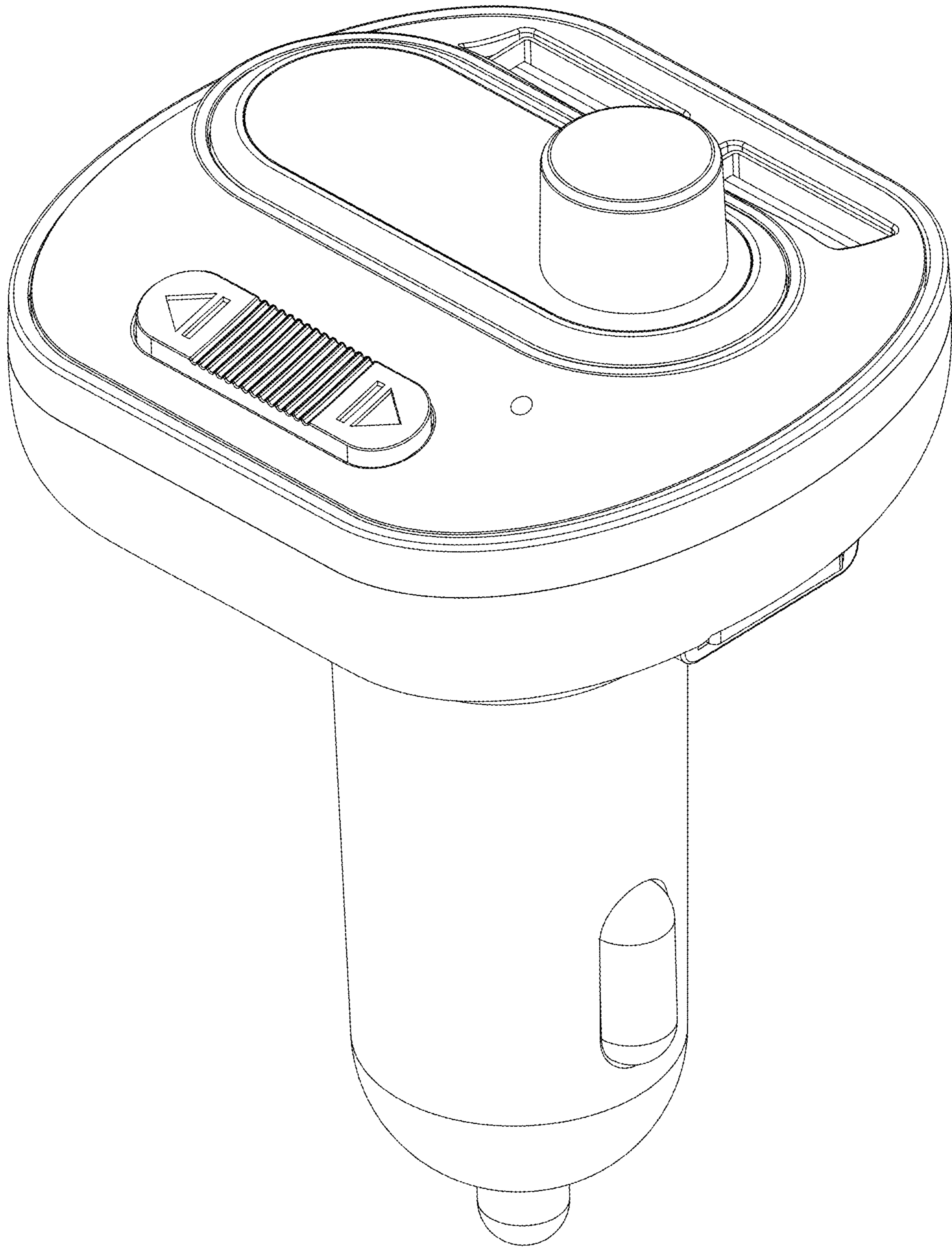


FIG. 7