

US00D871361S

(12) **United States Design Patent**
Aaron et al.

(10) **Patent No.:** **US D871,361 S**
(45) **Date of Patent:** **** Dec. 31, 2019**

(54) **WIRELESS NETWORKING CELL FOR MOUNTING ON AN AERIAL LIGHTING FIXTURE**

(71) Applicant: **Ubicquia LLC**, Wellington, FL (US)

(72) Inventors: **Ian B. Aaron**, Wellington, FL (US);
Ronald B. Zimmerman, III, Wellington, FL (US); **Bradford Brian Hutson**, Wellington, FL (US)

(73) Assignee: **Ubicquia LLC**, Wellington, FL (US)

(**) Term: **15 Years**

(21) Appl. No.: **29/662,091**

(22) Filed: **Aug. 31, 2018**

(51) **LOC (12) Cl.** **14-03**

(52) **U.S. Cl.**
USPC **D14/140.6**

(58) **Field of Classification Search**
USPC D14/140, 140.1, 140.2, 140.3, 140.4,
D14/140.5, 140.6, 142, 155, 168, 230,
(Continued)

(56) **References Cited**

U.S. PATENT DOCUMENTS

D201,825 S * 8/1965 Heenan D10/114.8
D214,706 S * 7/1969 Kauffman D10/114.2
(Continued)

OTHER PUBLICATIONS

Top 3 wireless infrastructure service company trends—RCR Wireless News. [online image] 8 pgs. Uploaded Sep. 10, 2015. [Retrieved on Jun. 14, 2019] <https://www.rcrwireless.com/20150910/workforce/top-3-wireless-infrastructure-service-company-trends-inside-telecom-careers-episode-12-tag1#prettyPhoto>.*

(Continued)

Primary Examiner — Marie D. Fast Horse

(74) *Attorney, Agent, or Firm* — Seed IP Law Group LLP

(57) **CLAIM**

The ornamental design for a wireless networking cell for mounting on an aerial lighting fixture, as shown and described.

DESCRIPTION

FIG. 1 is a perspective view of a wireless networking cell for mounting on an aerial lighting fixture showing a first embodiment of our new design.

FIG. 2 is a top plan view thereof.

FIG. 3 is a bottom plan view thereof.

FIG. 4 is an enlarged scale partial cross-sectional view thereof taken along line 4-4 of FIG. 3.

FIG. 5 is a front elevational view thereof.

FIG. 6 is a rear elevational view thereof.

FIG. 7 is a left side elevational view thereof.

FIG. 8 is a right side elevational view thereof.

FIG. 9 is a perspective view of a wireless networking cell for mounting on an aerial lighting fixture showing a second embodiment of our new design.

FIG. 10 is a top plan view thereof.

FIG. 11 is a bottom plan view thereof.

FIG. 12 is an enlarged scale partial cross-sectional view thereof taken along line 12-12 of FIG. 11.

FIG. 13 is a front elevational view thereof.

FIG. 14 is a rear elevational view thereof.

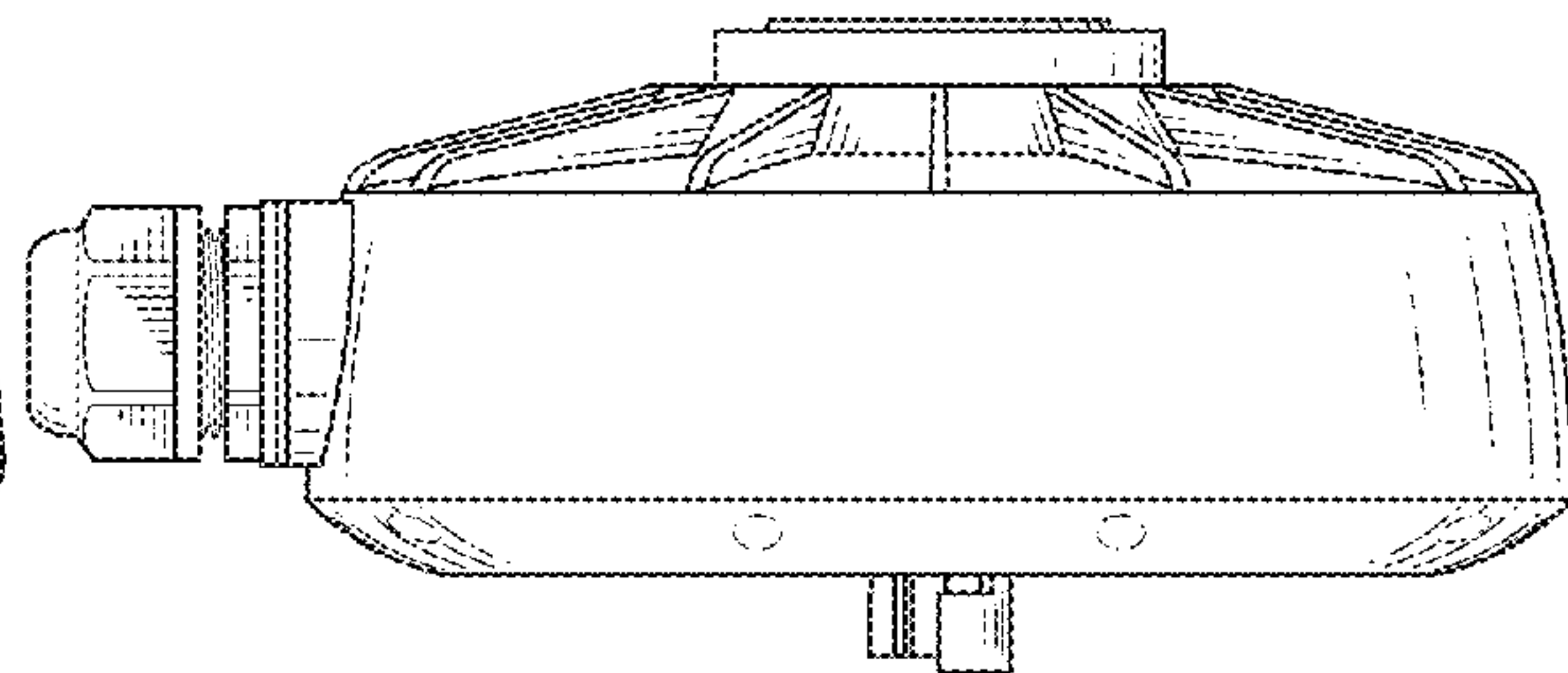
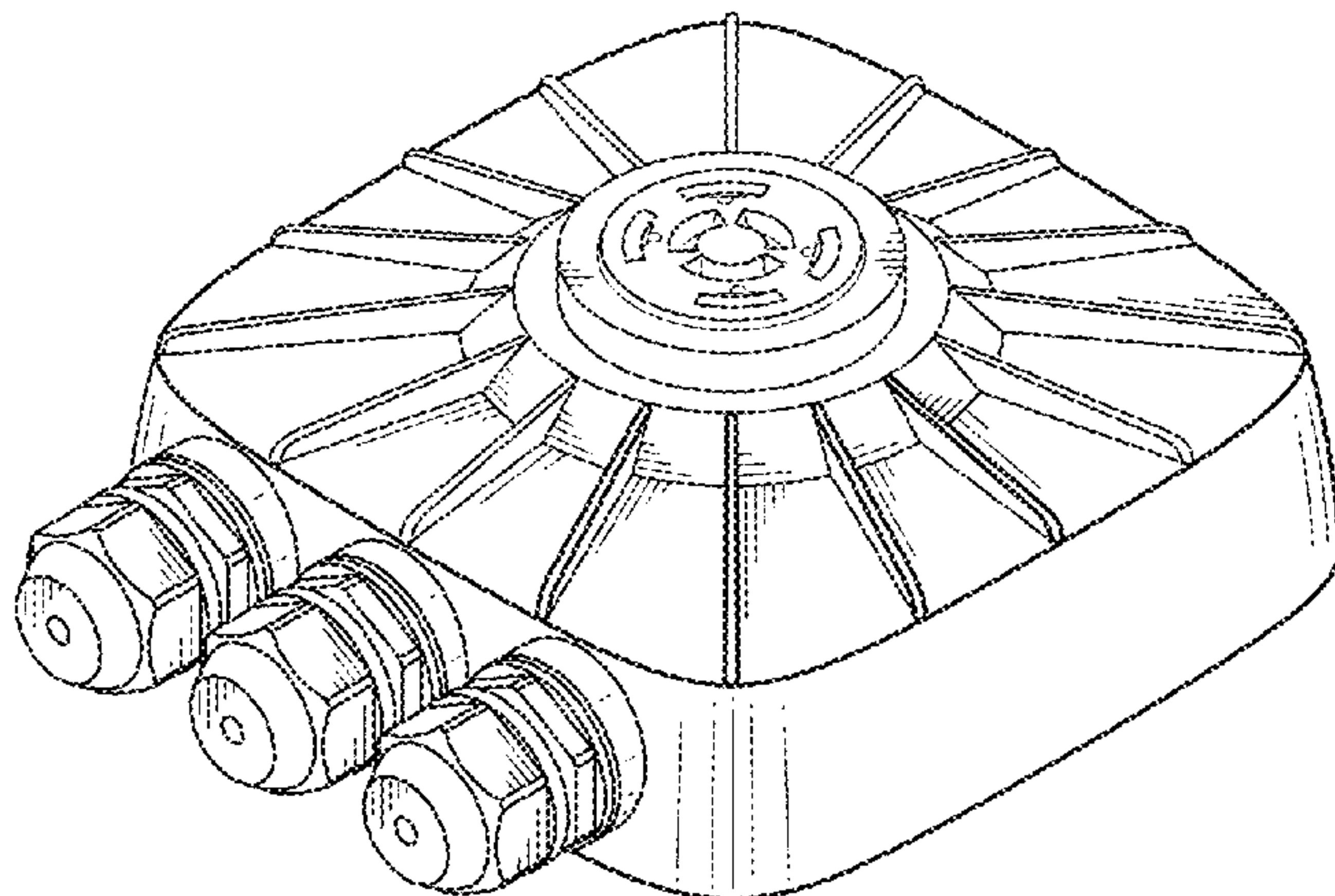
FIG. 15 is a left side elevational view thereof; and,

FIG. 16 is a right side elevational view thereof.

The dot-dash broken lines in FIGS. 3 and 11 define the boundary of the claim, which extends to the boundary but does not include the boundary; while all other broken lines depict portions of the wireless networking cell for mounting on an aerial lighting fixture that form no part of the claimed design.

Shading lines shown in the drawings are intended to represent the approximate three-dimensional contour of the design and are not intended to indicate surface decoration.

1 Claim, 8 Drawing Sheets



(58) **Field of Classification Search**

USPC D14/233, 240, 242, 243, 255, 299, 496,
 D14/356, 358, 236; D13/123, 152, 154,
 D13/158, 184, 199, 101, 110, 111, 112,
 D13/114, 160; D10/46, 75, 103, 104.1,
 D10/121, 106.1, 106.6, 106.3, 109.1,
 D10/109.2, 111, 114.1, 114.2, 114.6,
 D10/114.8; D26/72, 80, 81, 85, 88, 67,
 D26/68-71, 113, 138
 CPC F21S 8/006; F21S 8/08; F21S 8/081; F21S
 8/032; F21S 8/085; F21S 8/086; F21S
 8/088; F21S 9/03; F21S 9/032; F21S
 9/035; F21S 9/037; F21V 23/04; F21V
 23/0435; F21W 2131/109; H04W 88/08;
 H04W 16/24; H04W 8/245; H04W
 84/042; H04W 84/045; H04W 84/047;
 H04M 1/72522; H04M 1/72525

See application file for complete search history.

(56) **References Cited**

U.S. PATENT DOCUMENTS

D227,785 S * 7/1973 Kaysen D14/233
 D237,369 S * 10/1975 Lowndes D10/114.8
 D239,517 S * 4/1976 Lowndes D10/114.8
 D242,778 S * 12/1976 Goble D10/106.6
 D242,779 S * 12/1976 Goble D10/106.6
 D242,942 S * 1/1977 Brudy D10/111
 4,503,360 A * 3/1985 Bedel H01J 61/34
 313/19
 D286,988 S * 12/1986 Akiyama D10/114.8
 4,804,972 A * 2/1989 Schudel H01Q 1/42
 343/840
 D310,064 S * 8/1990 Cheng D13/151
 D311,540 S * 10/1990 Wickrema D14/233
 D327,691 S * 7/1992 Ogawa D14/230
 D333,661 S * 3/1993 Elliott D14/236
 D336,864 S * 6/1993 Gottlieb D10/109.2
 D346,170 S * 4/1994 Tang D14/230
 D347,436 S * 5/1994 Tang D14/230
 D349,256 S * 8/1994 Bellinger D10/114.2
 D390,566 S * 2/1998 Martek D14/230
 D401,175 S * 11/1998 Bender D10/106.6
 D402,991 S * 12/1998 Mosser D14/230
 D404,325 S * 1/1999 Bender D10/106.6
 D404,326 S * 1/1999 Bender D10/106.6
 D411,640 S * 6/1999 Lueken D10/113.1
 D412,676 S * 8/1999 Layes D10/106.6
 D424,028 S * 5/2000 Vaiani D13/184
 D436,101 S * 1/2001 McGovern D14/140.5
 D437,243 S * 2/2001 Cessac D10/104.1
 D440,890 S * 4/2001 Warner D10/65
 D442,947 S * 5/2001 Warner D14/230
 D453,329 S * 2/2002 Muramatsu D14/230
 D455,735 S * 4/2002 Winslow D14/240
 D457,518 S * 5/2002 Wilson 343/749
 D462,070 S * 8/2002 Wilson D14/233
 D462,675 S * 9/2002 Kusz D14/140.6
 D466,496 S * 12/2002 McDonald D14/230
 D467,242 S * 12/2002 Warner D14/230
 D468,731 S * 1/2003 Wilson D14/234
 D486,146 S * 2/2004 Dearnley D14/230
 D493,169 S * 7/2004 Cheng D14/357
 D493,447 S * 7/2004 Noro D14/230
 D513,477 S * 1/2006 Heftman D10/111
 D519,860 S * 5/2006 Bugbee D10/47
 D525,231 S * 7/2006 McMillen D14/149
 D531,626 S * 11/2006 Agrawal D14/233
 D543,540 S * 5/2007 Westerling D14/230
 D543,975 S * 6/2007 McCown D14/230
 D544,805 S * 6/2007 Corrigan D10/111
 D550,659 S * 9/2007 Noro D14/230
 D557,260 S * 12/2007 Westerling D14/230
 D560,533 S * 1/2008 Dueker D10/109.1

D566,698 S * 4/2008 Choi D14/240
 D570,722 S * 6/2008 Taylor D10/114.8
 D591,888 S * 5/2009 Gill D26/71
 D591,889 S * 5/2009 Gill D26/71
 D591,890 S * 5/2009 Gill D26/71
 D591,891 S * 5/2009 Gill D26/71
 D591,892 S * 5/2009 Gill D26/71
 D592,088 S * 5/2009 Miller D10/114.8
 D592,345 S * 5/2009 Gill D26/71
 D592,346 S * 5/2009 Gill D26/71
 D592,650 S * 5/2009 Tsang D14/242
 D598,316 S * 8/2009 Kuwano D10/114.8
 D601,053 S * 9/2009 Ferrie D10/114.8
 D604,279 S * 11/2009 Chen D14/230
 D605,965 S * 12/2009 Jackson D10/109.1
 D608,232 S * 1/2010 Duran Neira D10/107
 D608,673 S * 1/2010 Arosio D10/111
 D612,760 S * 3/2010 Chen D10/114.8
 D616,777 S * 6/2010 Jackson D10/114.5
 D619,992 S * 7/2010 Wayman D14/140.5
 D621,812 S * 8/2010 Wayman D14/140.5
 D622,709 S * 8/2010 Hern D14/230
 D623,633 S * 9/2010 Bliss D14/233
 D624,448 S * 9/2010 Jackson D10/114.8
 D626,442 S * 11/2010 Jackson D10/114.8
 D627,911 S * 11/2010 Mo D26/119
 D634,308 S * 3/2011 Bliss D14/233
 D638,001 S * 5/2011 Nakhjiri D14/242
 D641,647 S * 7/2011 Wu D10/111
 D647,812 S * 11/2011 Kuwano D10/114.1
 D648,241 S * 11/2011 Kuwano D10/114.1
 D650,115 S * 12/2011 Kim D26/118
 D650,513 S * 12/2011 Blincoe D26/118
 D651,110 S * 12/2011 Kuwano D10/114.1
 D651,111 S * 12/2011 Kuwano D10/114.1
 D651,112 S * 12/2011 Kuwano D10/114.1
 D651,113 S * 12/2011 Kuwano D10/114.1
 D652,334 S * 1/2012 Kuwano D10/114.1
 D666,583 S * 9/2012 Le D14/230
 D668,981 S * 10/2012 Hsiao D10/114.2
 D668,982 S * 10/2012 Hsiao D10/114.2
 D674,787 S * 1/2013 Tsuda D14/240
 D674,788 S * 1/2013 Tsuda D14/240
 D680,893 S * 4/2013 Adams D10/114.1
 D684,078 S * 6/2013 Clifford D10/114.2
 D690,450 S * 9/2013 Guercio D26/72
 D694,740 S * 12/2013 Apostolakis D14/240
 D696,642 S * 12/2013 Jia D14/155
 D701,466 S * 3/2014 Clifford D10/114.2
 D706,152 S * 6/2014 Ni D10/106.6
 D709,782 S * 7/2014 Stuffle D10/114.1
 D713,092 S * 9/2014 Smith D26/118
 D713,816 S * 9/2014 Fleetwood D14/155
 D720,247 S * 12/2014 Covelli D10/114.2
 D729,214 S * 5/2015 Beaudoin D14/230
 D730,333 S * 5/2015 Matsumoto D14/240
 D733,107 S * 6/2015 Porter D14/240
 D744,985 S * 12/2015 Schulz D14/230
 D744,986 S * 12/2015 Huerta D14/230
 D749,974 S * 2/2016 Hoßbach D10/114.2
 D751,534 S * 3/2016 Lenz D14/230
 D757,588 S * 5/2016 Stuffle D10/114.1
 9,362,629 B2 * 6/2016 Hinman H01Q 19/13
 D772,206 S * 11/2016 Lasier D14/230
 D772,850 S * 11/2016 Safstrom D14/233
 D789,360 S * 6/2017 Moon D14/240
 D790,514 S * 6/2017 Woodward D10/65
 D791,109 S * 7/2017 Wallace D14/233
 D794,635 S * 8/2017 Nimre D14/230
 D806,691 S * 1/2018 Andersson D14/240
 9,930,668 B2 * 3/2018 Barzegar H04L 5/0023
 D814,450 S * 4/2018 Kumazawa D14/240
 D817,914 S * 5/2018 Britz D14/140.6
 D823,839 S * 7/2018 Emery D14/230
 D829,696 S * 10/2018 Wallace D14/233
 D833,312 S * 11/2018 Alonso D10/114.1
 D844,581 S * 4/2019 Zhou D14/142
 2014/0155054 A1 * 6/2014 Henry H04W 24/02
 455/422.1

(56)

References Cited

U.S. PATENT DOCUMENTS

2015/0124100 A1* 5/2015 McRory F21S 8/085
348/151
2018/0045388 A1* 2/2018 McDowell F21S 8/086
2018/0172229 A1* 6/2018 Lockwood F21S 8/086
2018/0172243 A1* 6/2018 Clynne H04W 84/18
2018/0279445 A1* 9/2018 Harwood F21V 23/026
2018/0292056 A1* 10/2018 Kim F21V 27/02
2018/0323503 A1* 11/2018 Bouchard F21S 8/086

OTHER PUBLICATIONS

Smart Lighting-Ubicell. ubicquia.com. [online image] 1 pg. Uploaded Jan. 2019. [Retrieved on Jun. 14, 2019] http://www.ubicquia.com/wp-content/uploads/2019/01/wordpress_product_ubicell.png.*

Smart Connectivity-Ubicell. ubicquia.com. [online image] 1 pg. Uploaded Jan. 2019. [Retrieved on Jun. 14, 2019] http://www.ubicquia.com/wp-content/uploads/2019/01/wordpress_product_ubihub.png.*

UbicellL-ubihub—ubimetro. Facebook.com. [online image] 1 pg. Uploaded Feb. 26, 2018. [Retrieved on Jun. 14, 2019] <https://www.facebook.com/ubicquia/photos/a.367486246971918/542412166145991/?type=3&theater>.*

* cited by examiner

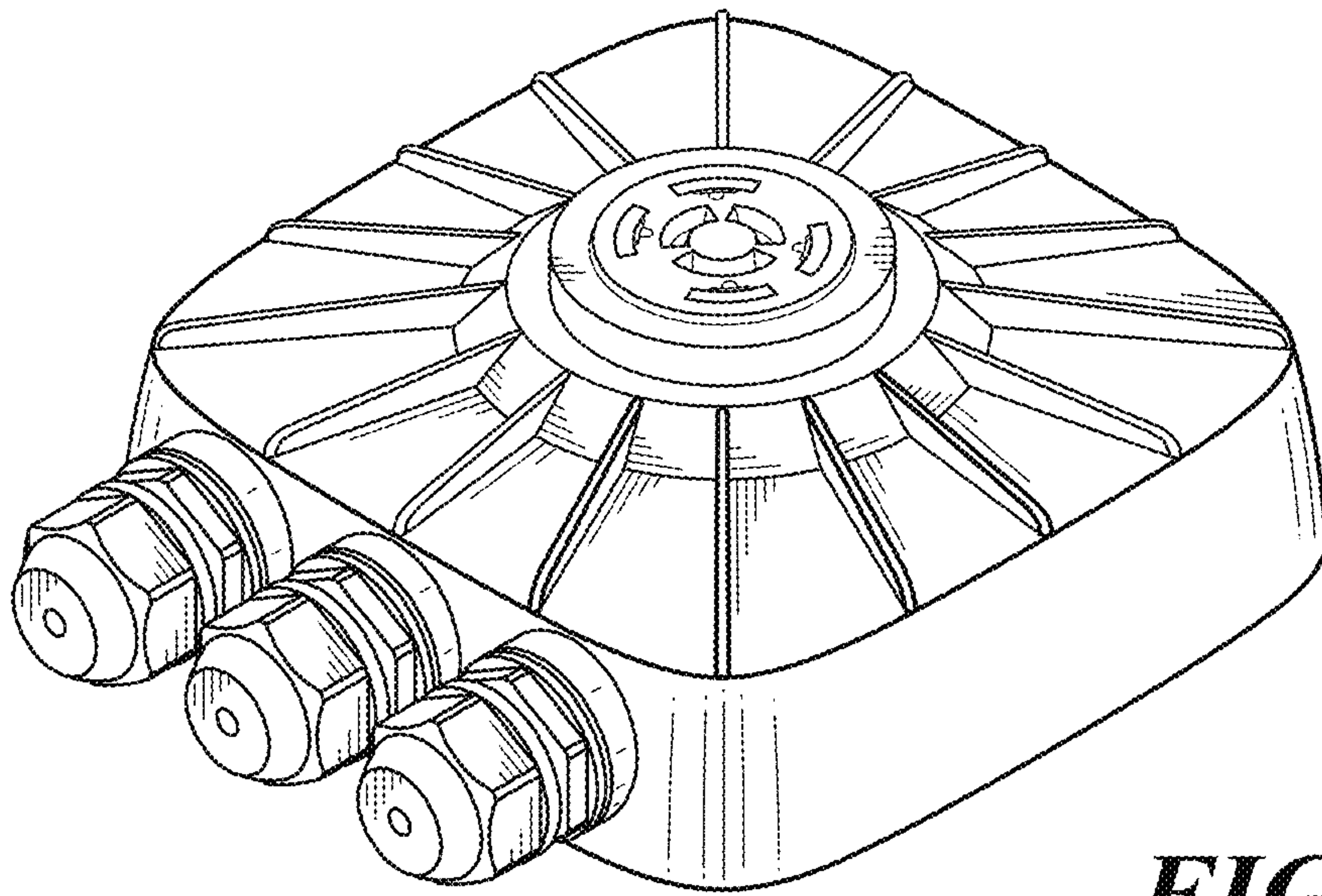


FIG. 1

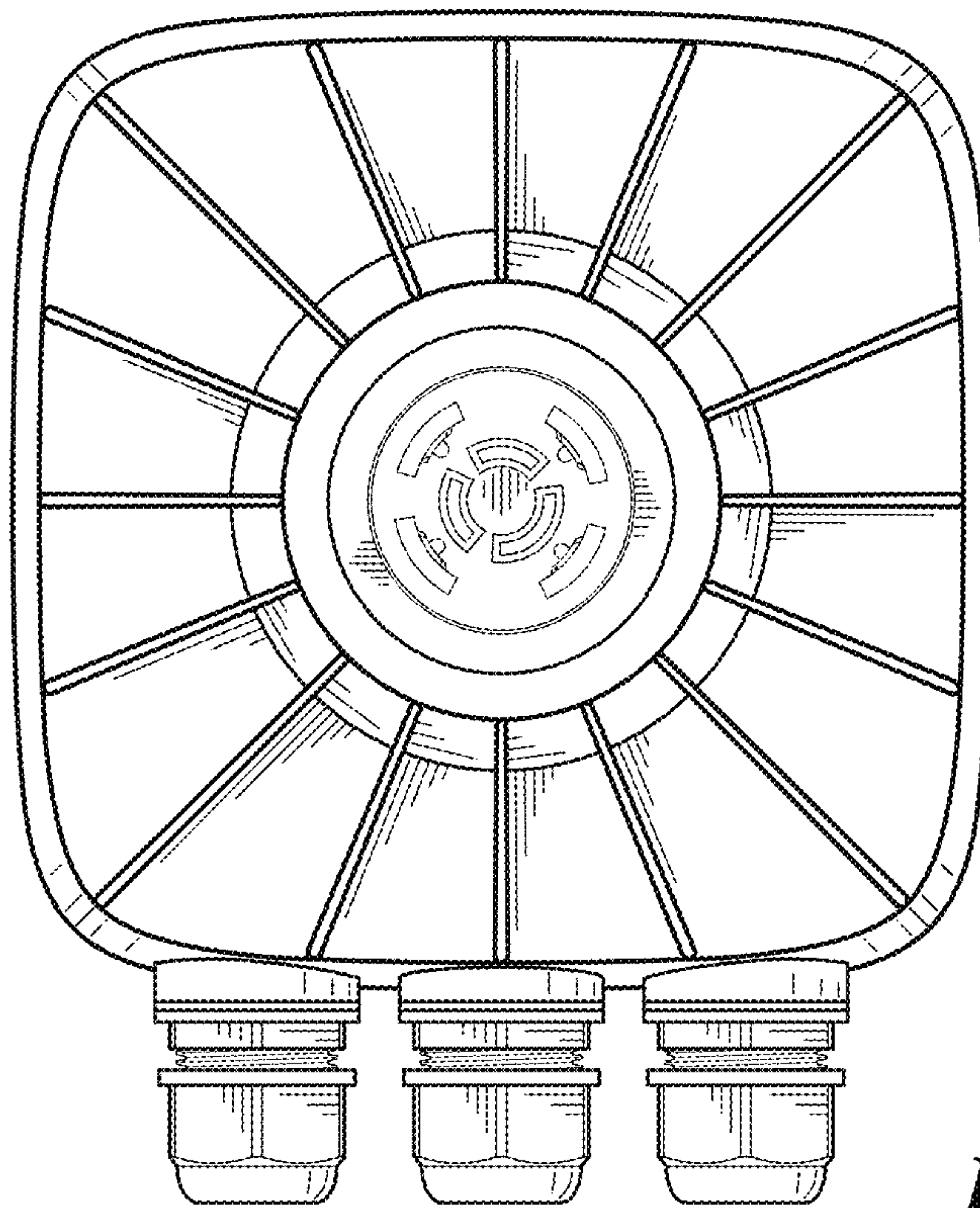


FIG. 2

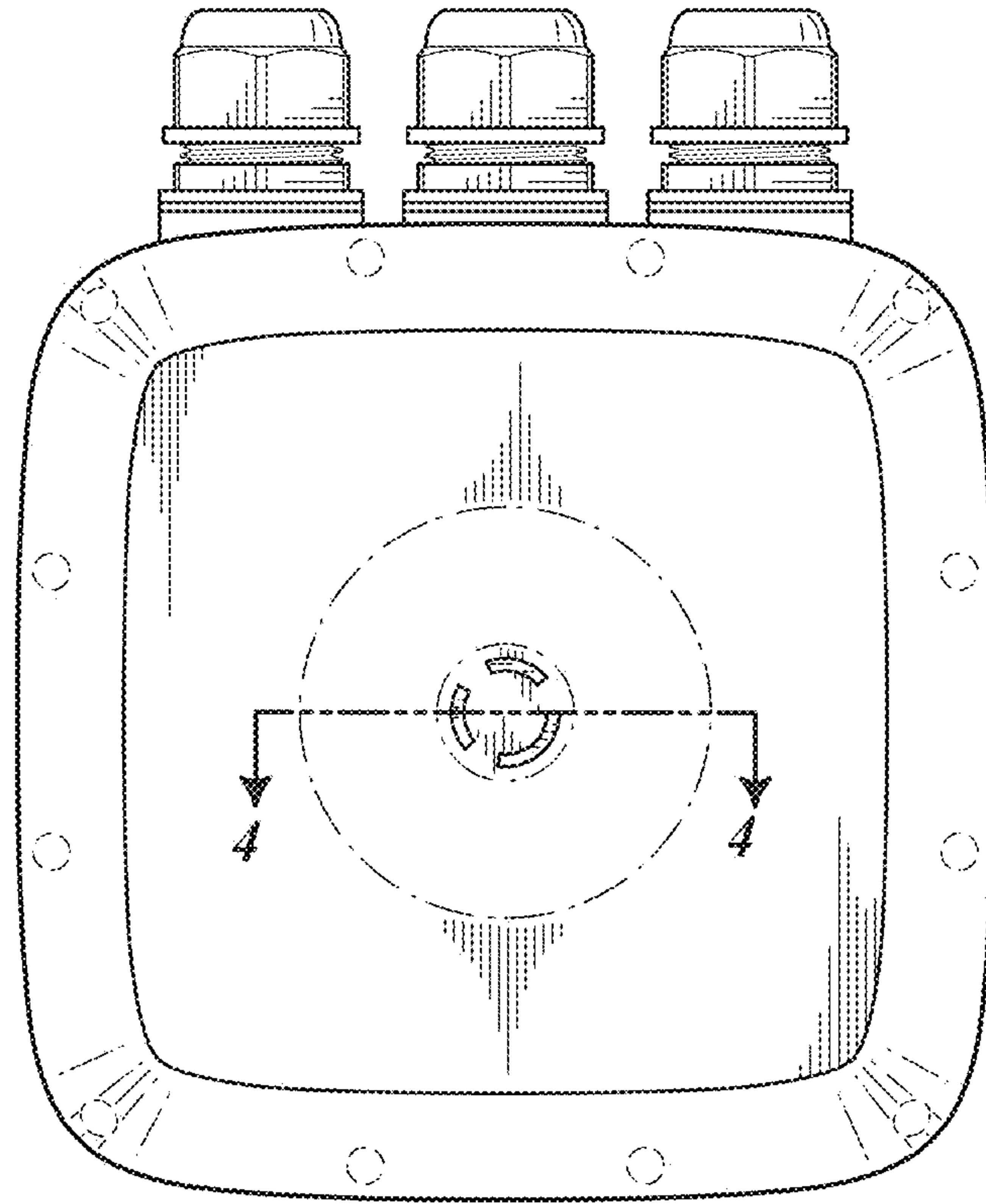


FIG. 3

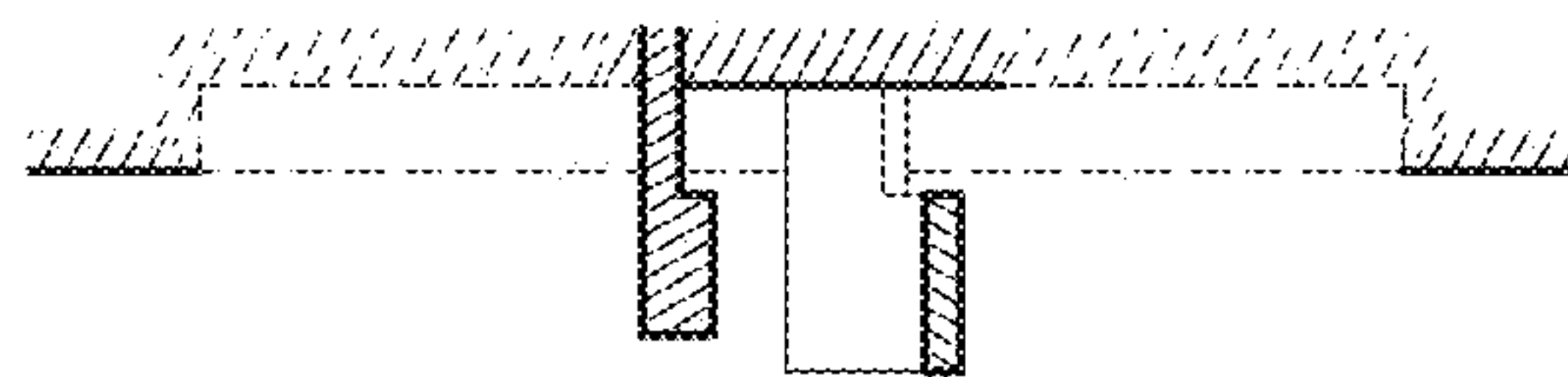


FIG. 4

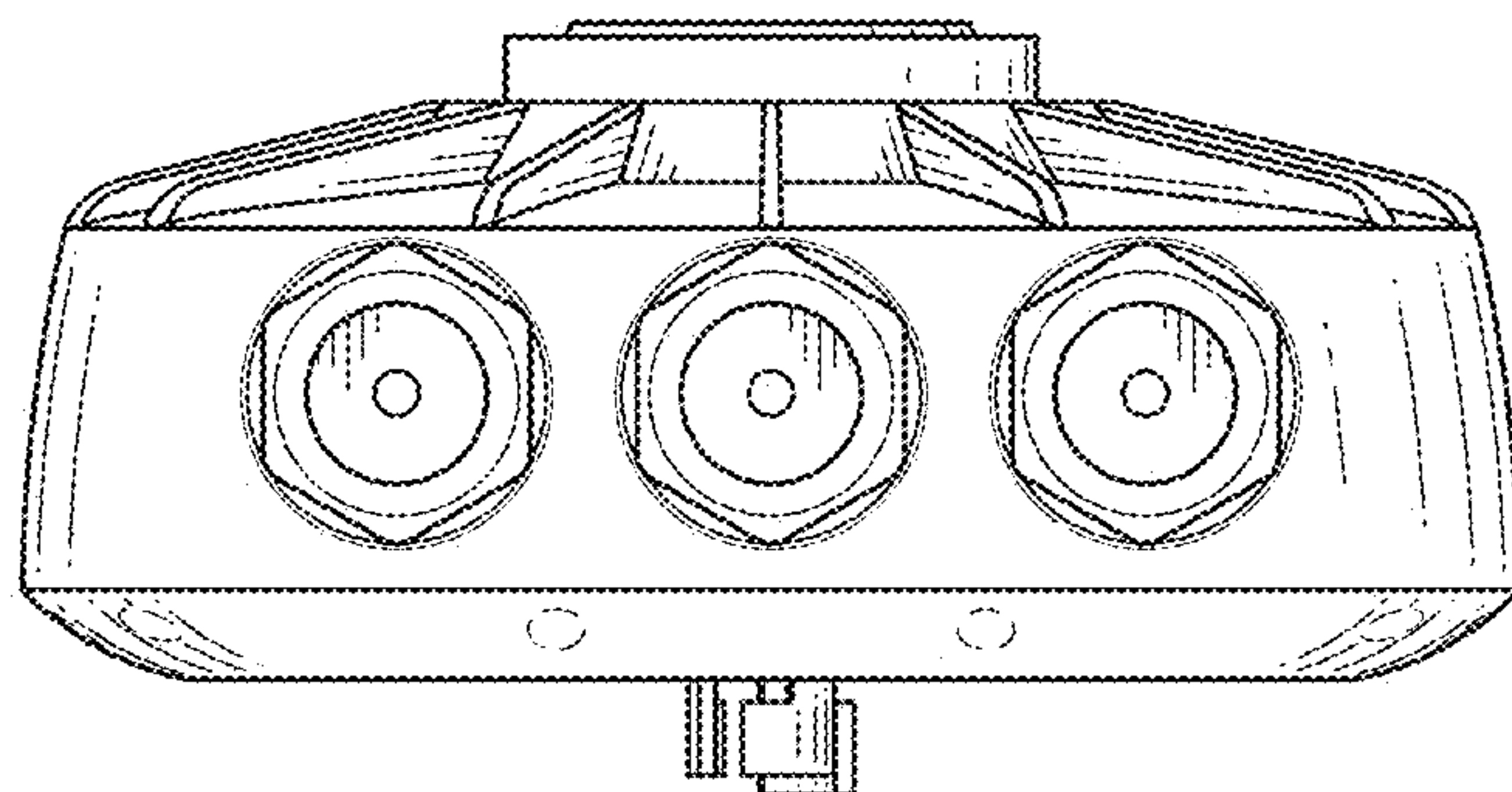


FIG. 5

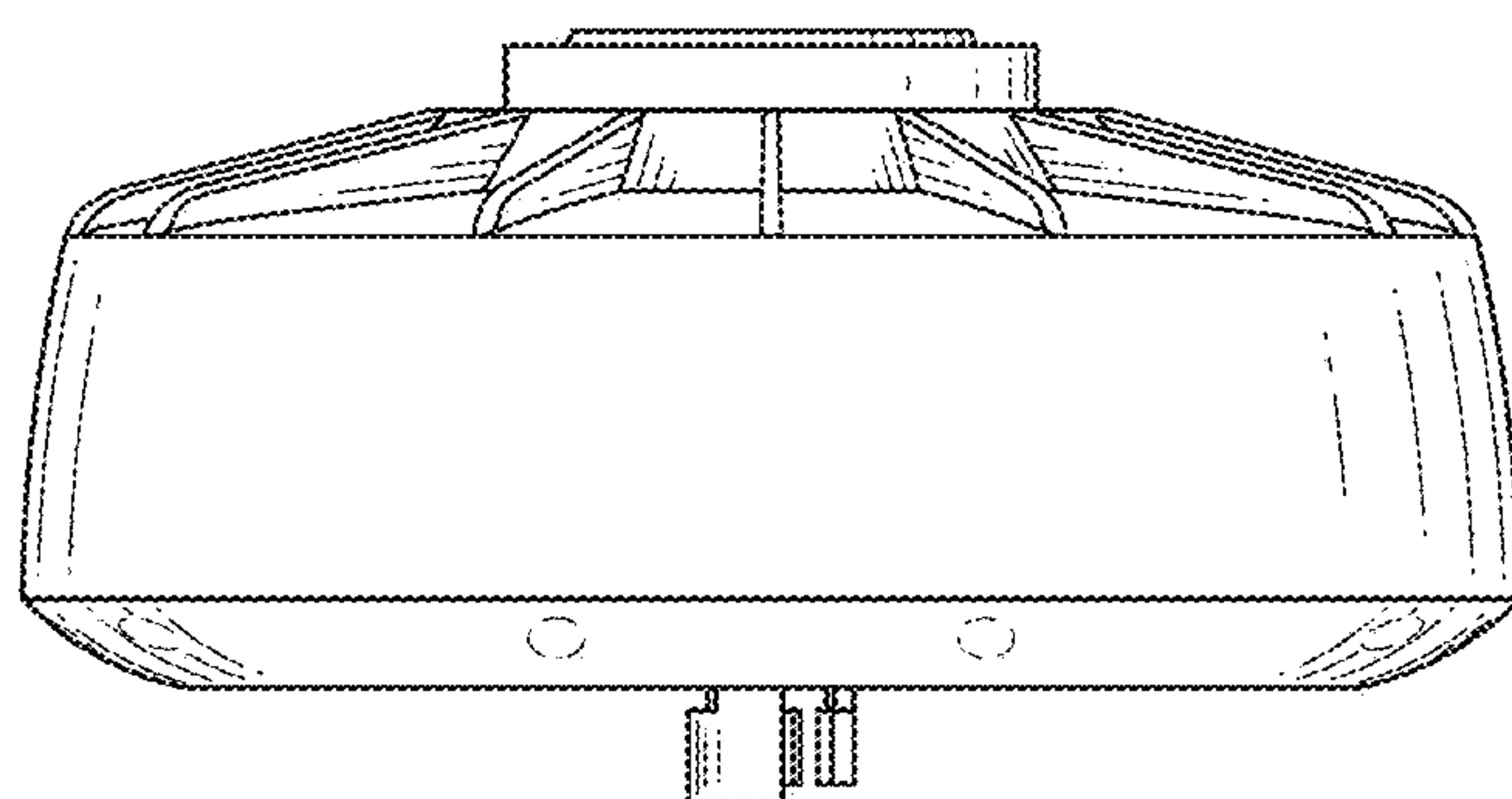


FIG. 6

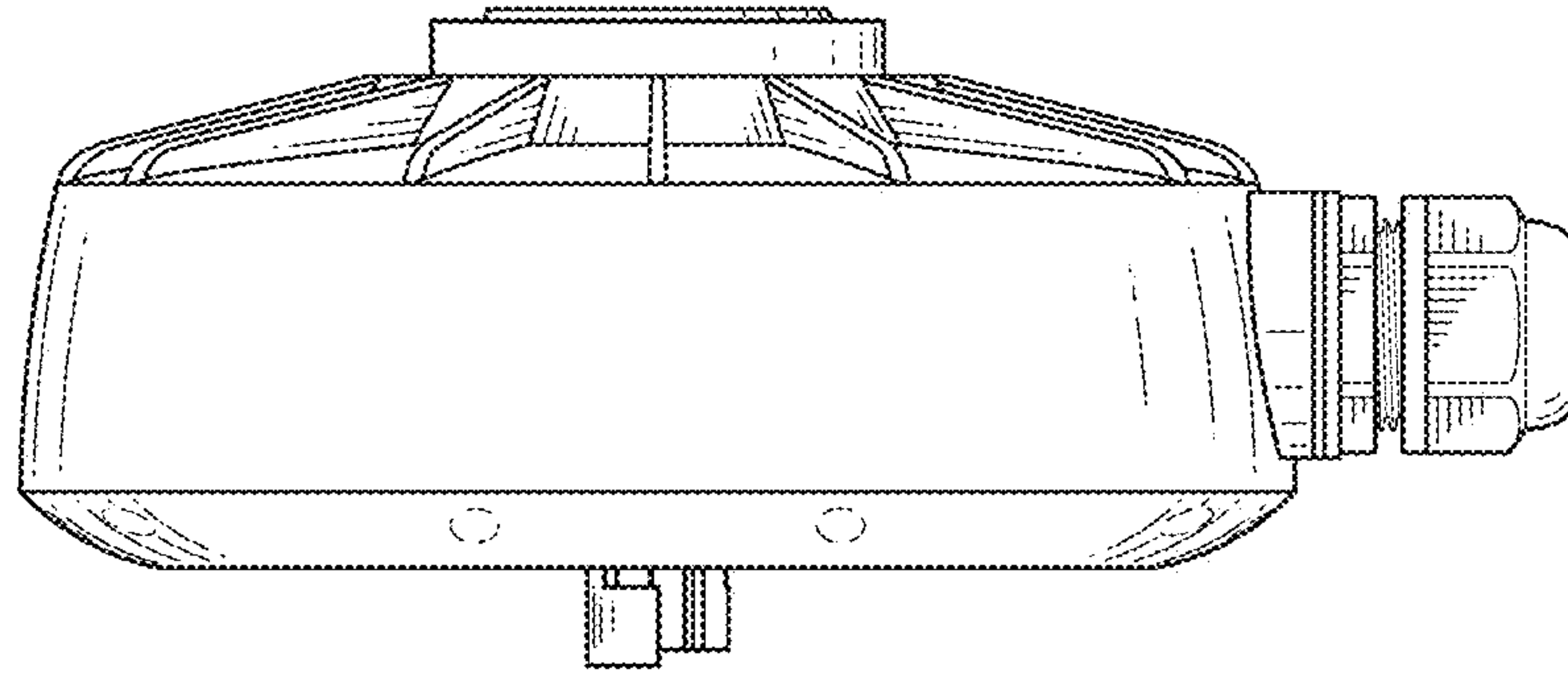


FIG. 7

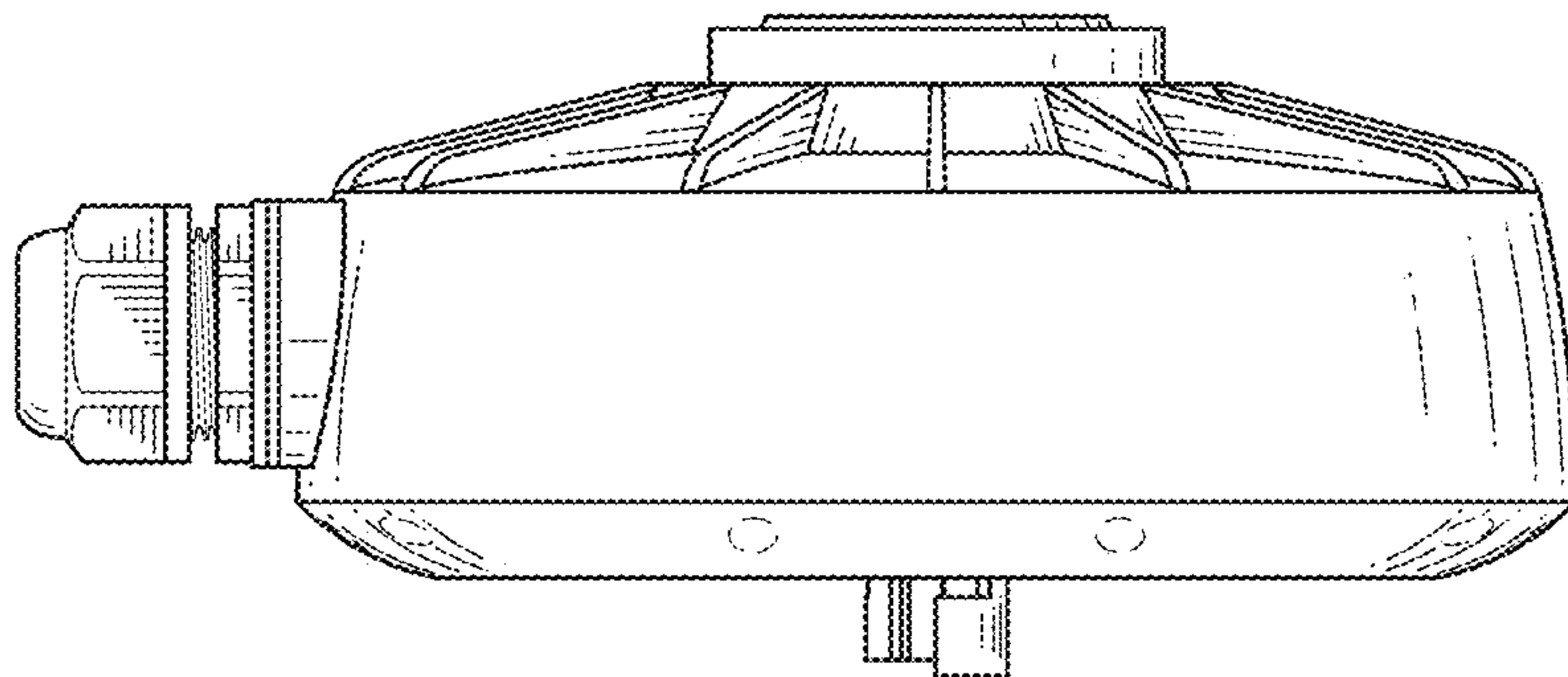


FIG. 8

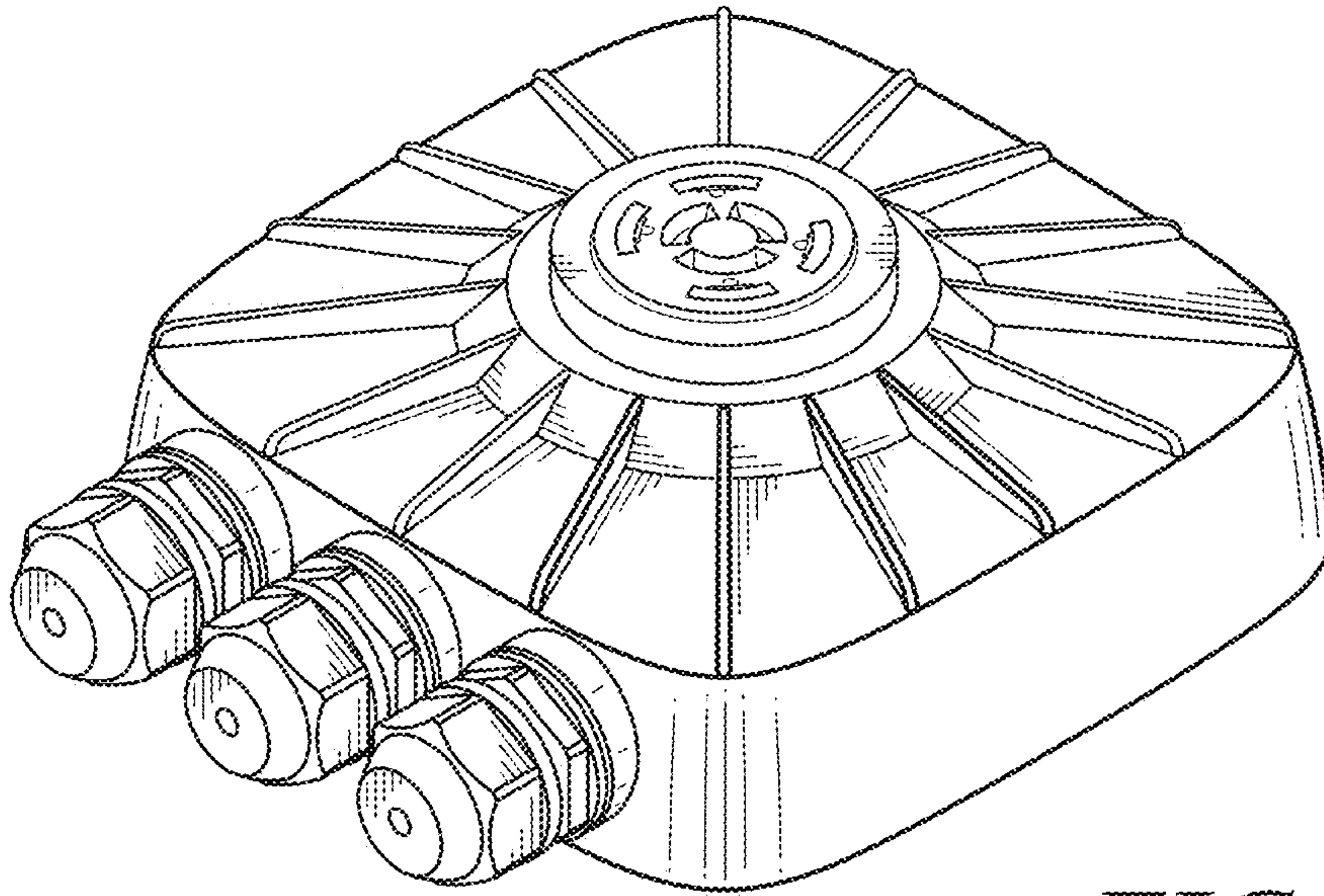


FIG. 9

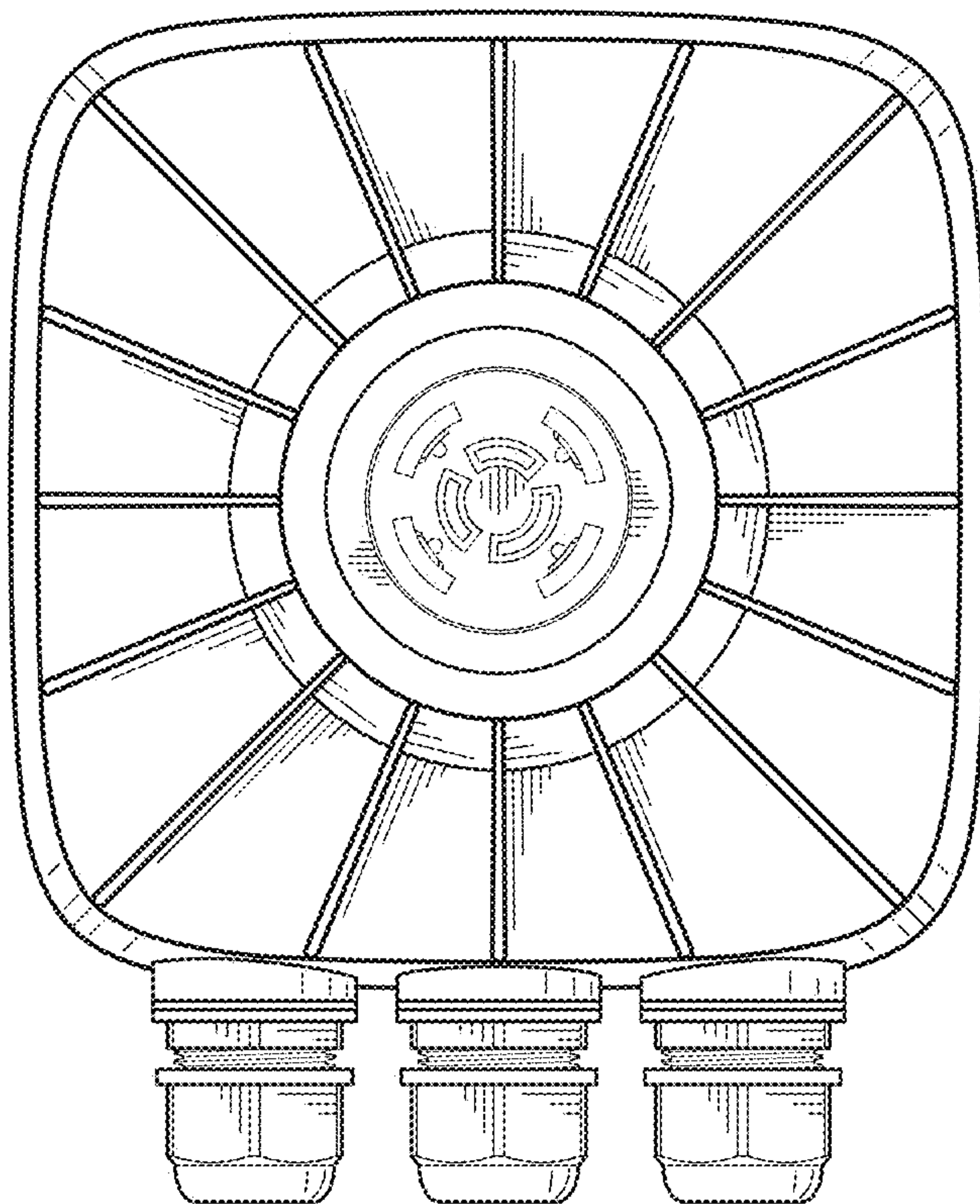


FIG. 10

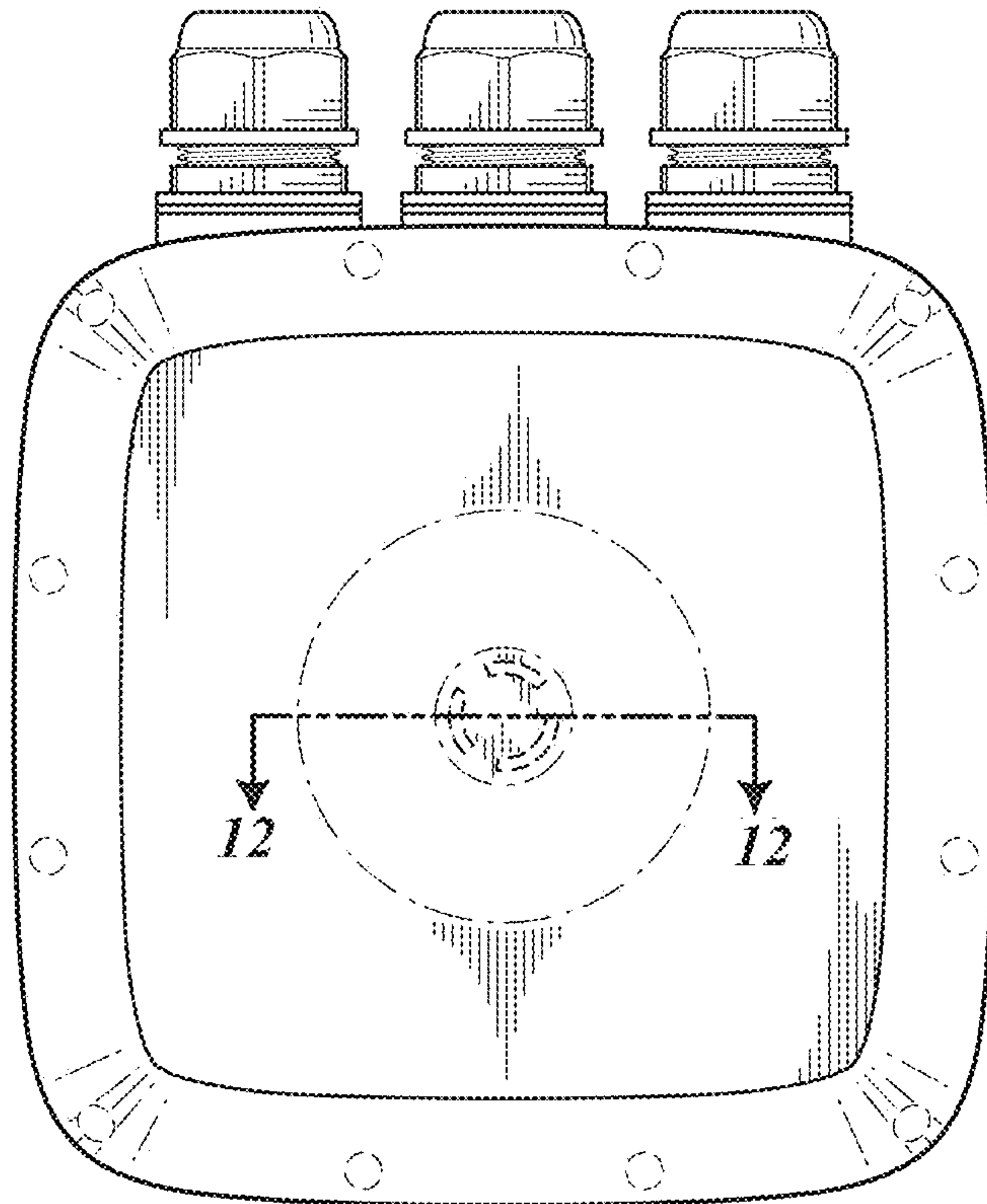


FIG. 11

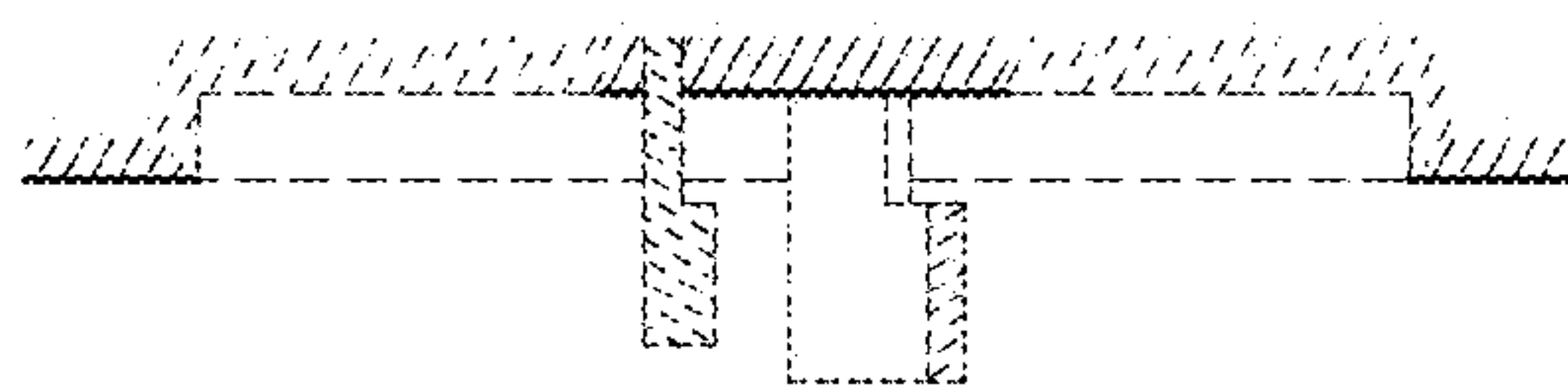


FIG. 12

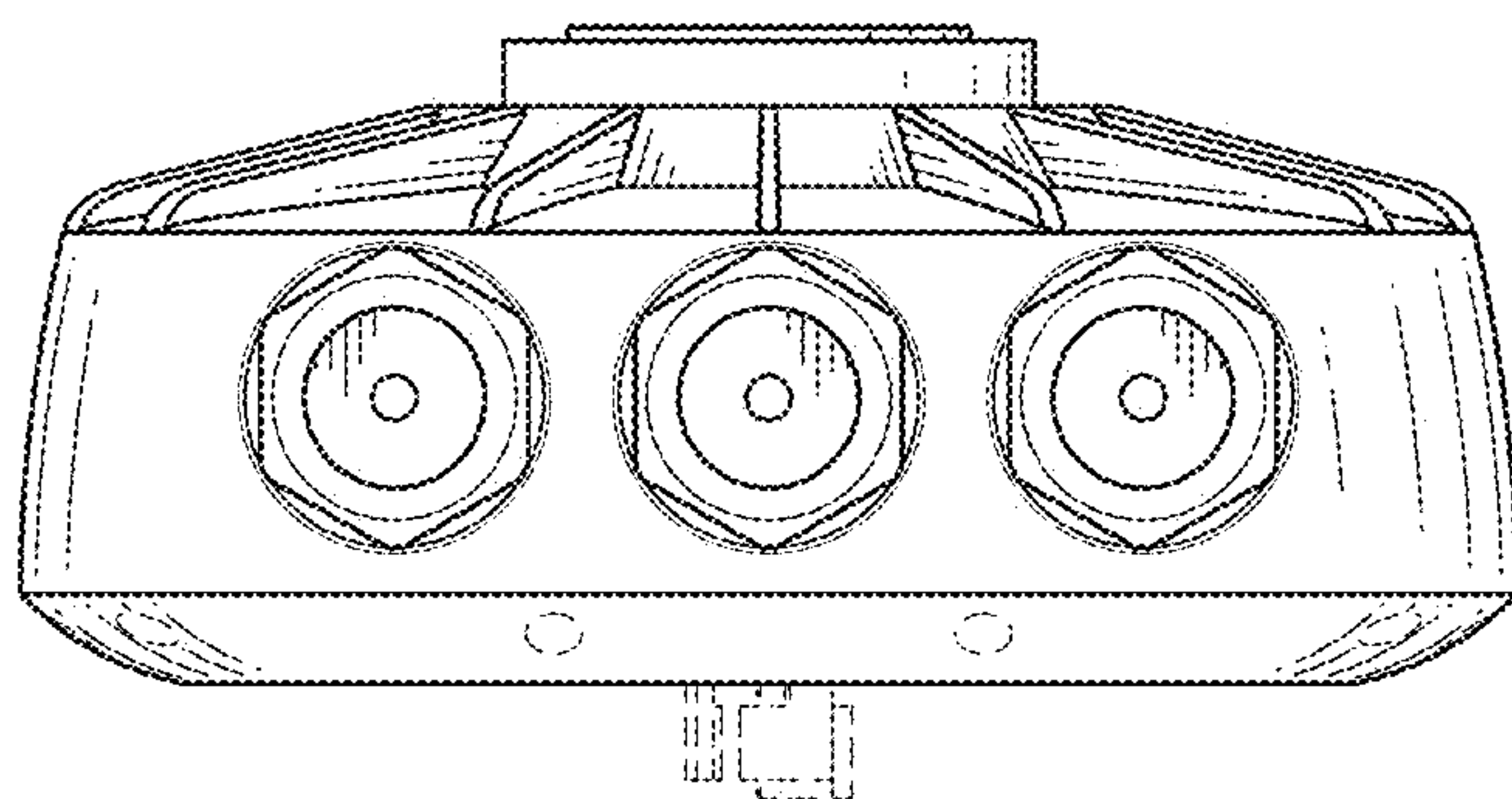


FIG. 13

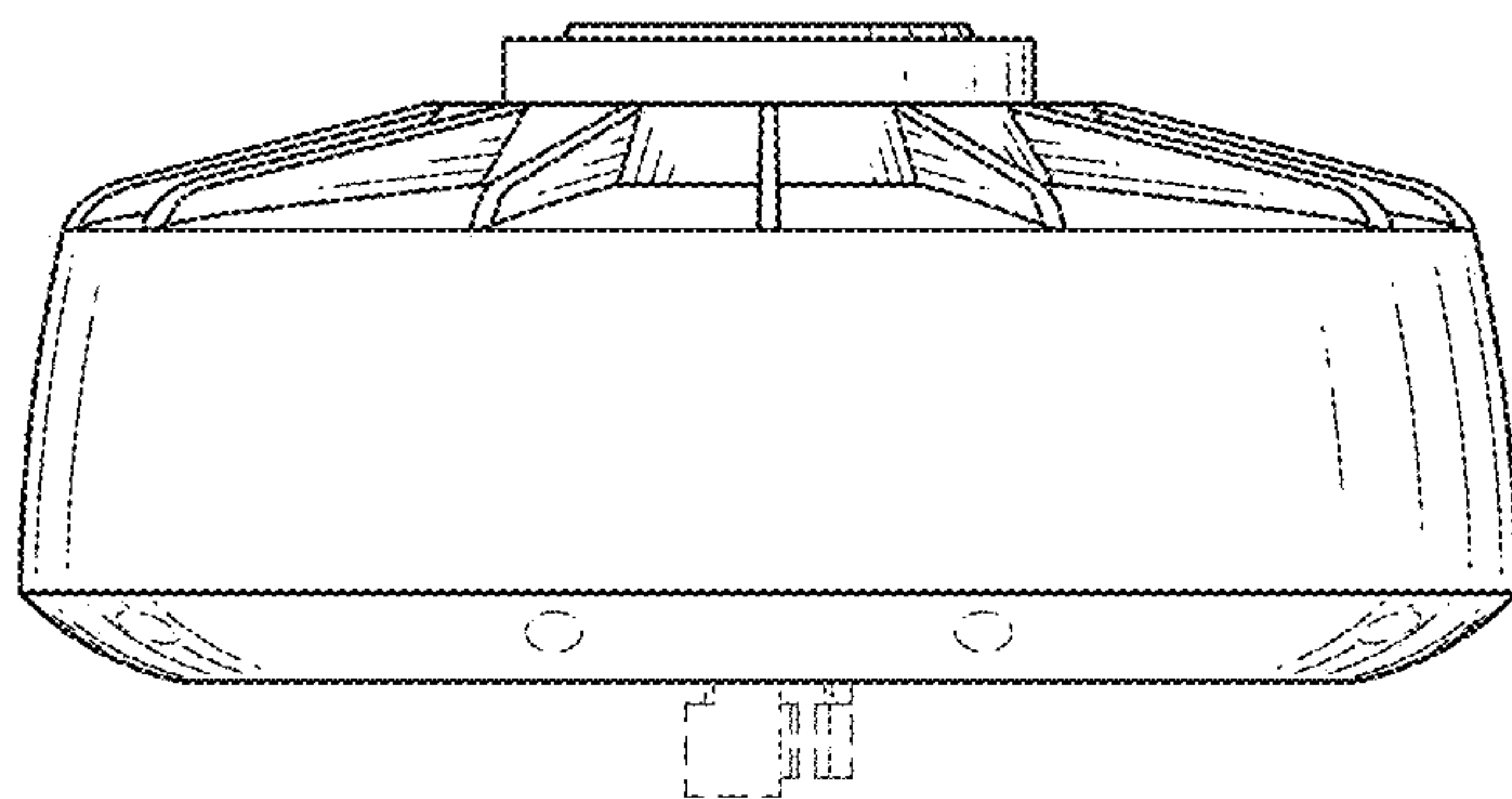


FIG. 14

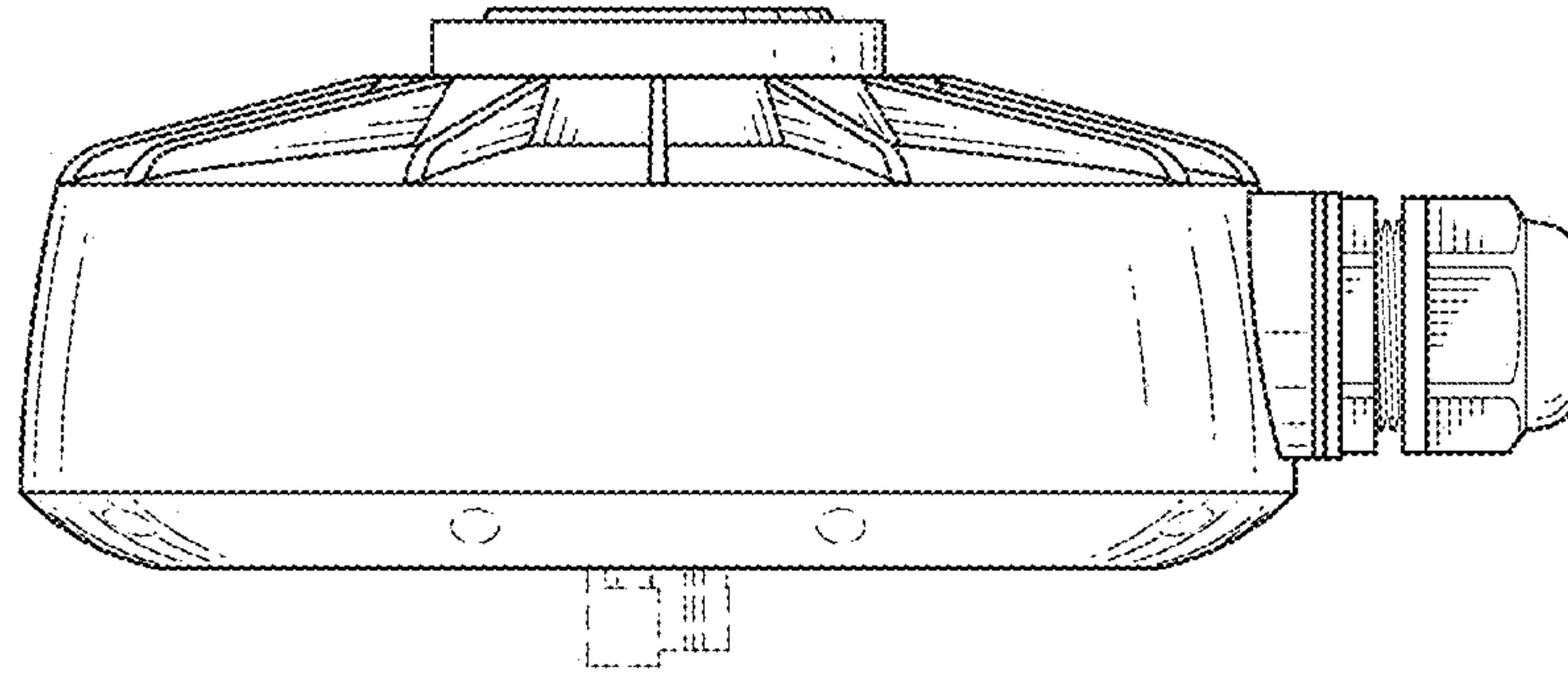


FIG. 15

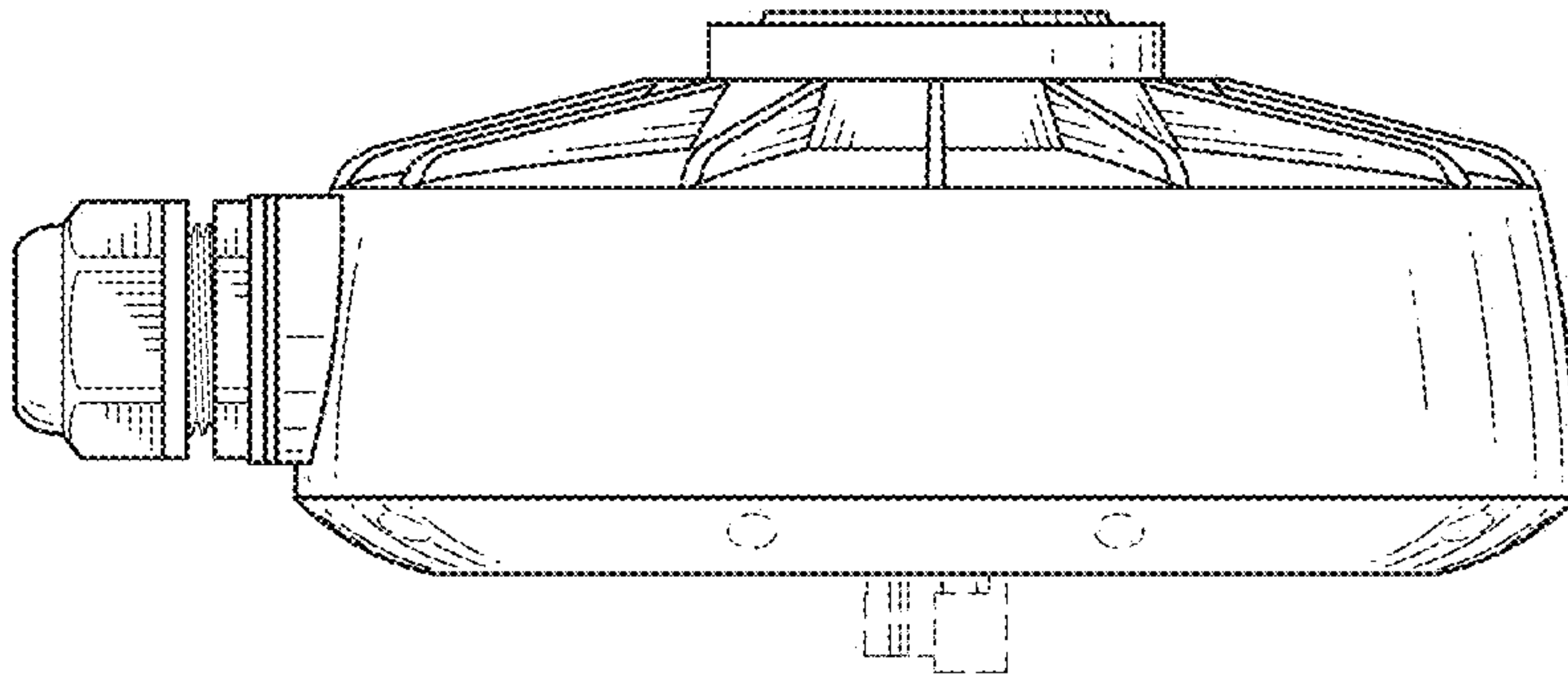


FIG. 16