



US00D871355S

(12) **United States Design Patent**  
**Deng**

(10) **Patent No.:** **US D871,355 S**

(45) **Date of Patent:** **\*\* Dec. 31, 2019**

(54) **NON-EXPLOSION PROOF POWER BOX**

(71) Applicant: **EVERY INDUSTRY LLC**, Rancho Dominguez, CA (US)

(72) Inventor: **Jinsheng Deng**, Rancho Dominguez, CA (US)

(73) Assignee: **EVERY INDUSTRY LLC**, Rancho Dominguez, CA (US)

(\*\*) Term: **15 Years**

(21) Appl. No.: **29/655,829**

(22) Filed: **Jul. 8, 2018**

(51) **LOC (12) Cl.** ..... **13-03**

(52) **U.S. Cl.**  
USPC ..... **D13/160; D13/152**

(58) **Field of Classification Search**  
USPC ..... D13/110, 112, 118, 123, 133, 152, 154,  
D13/158–162.1, 169–171, 173, 175, 178,  
D13/184, 199

CPC ..... F16B 5/10; F16B 21/00; H01H 13/04;  
H01R 13/11; H01R 13/05; H01R 13/46;  
H01R 13/52; H01R 13/58; H01R 24/76;  
H01R 25/00; H02G 3/00; H02G 3/16;  
H02K 5/02; H02K 5/18; H02S 40/34

See application file for complete search history.

(56) **References Cited**

**U.S. PATENT DOCUMENTS**

D405,054 S \* 2/1999 Takahashi ..... D13/152  
5,914,863 A \* 6/1999 Shen ..... H01R 24/46  
174/50  
D437,313 S \* 2/2001 Chen ..... D13/152

D499,069 S \* 11/2004 Stanush ..... D13/152  
D507,241 S \* 7/2005 Koessler ..... D13/152  
D507,539 S \* 7/2005 Hull ..... D13/152  
D521,939 S \* 5/2006 Mahoney ..... D13/146  
D742,325 S \* 11/2015 Leung ..... D13/152  
D836,236 S \* 12/2018 Deng ..... D26/85  
2011/0244719 A1 \* 10/2011 Xue ..... H01R 13/17  
439/575  
2013/0012060 A1 \* 1/2013 Xiao ..... H02G 3/16  
439/535  
2014/0162476 A1 \* 6/2014 Deng ..... H01R 43/18  
439/76.1  
2016/0013628 A1 \* 1/2016 Tanaka ..... H02G 15/06  
174/541

\* cited by examiner

*Primary Examiner* — Angela J Lee

*Assistant Examiner* — Shawn T Gingrich

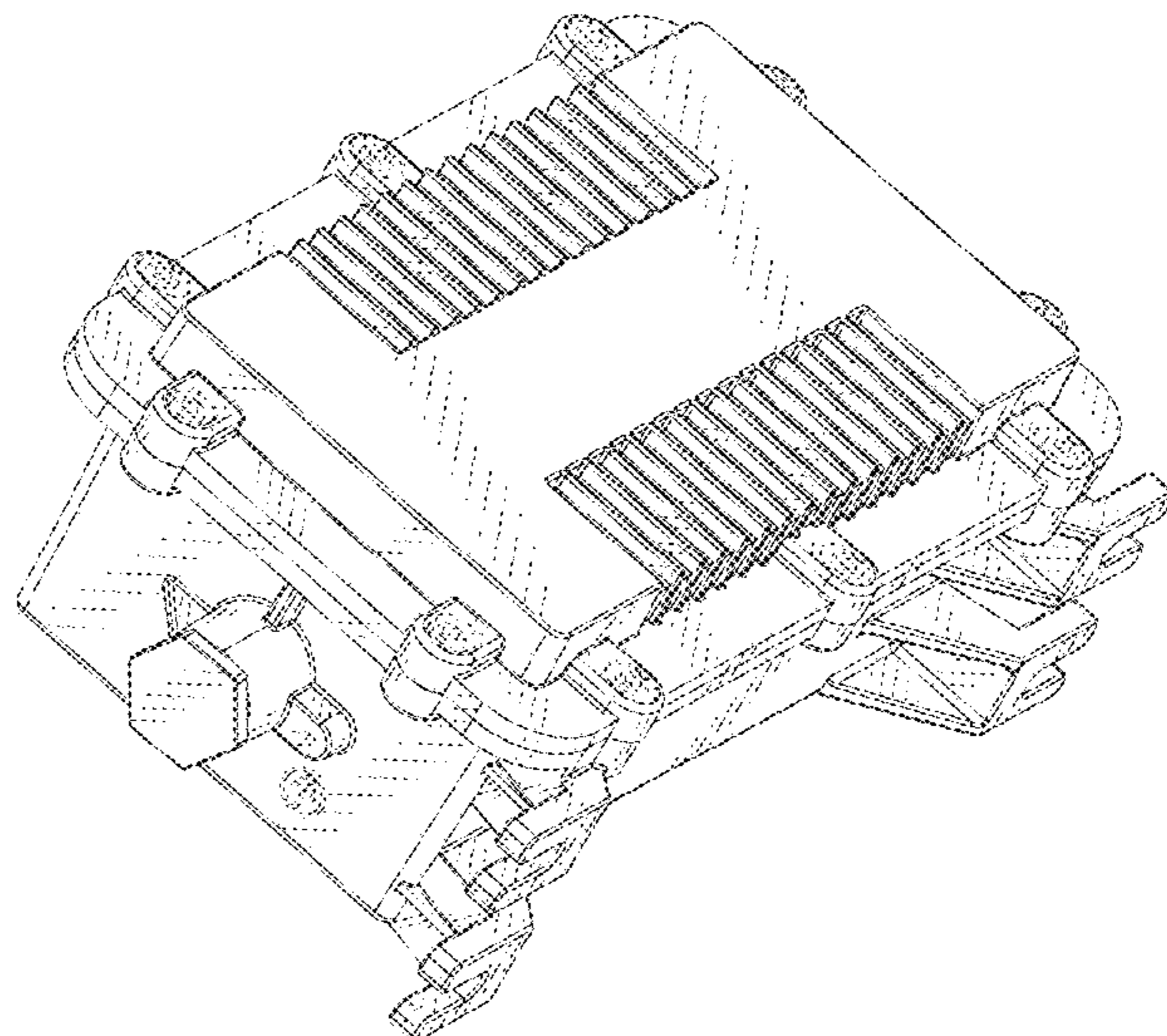
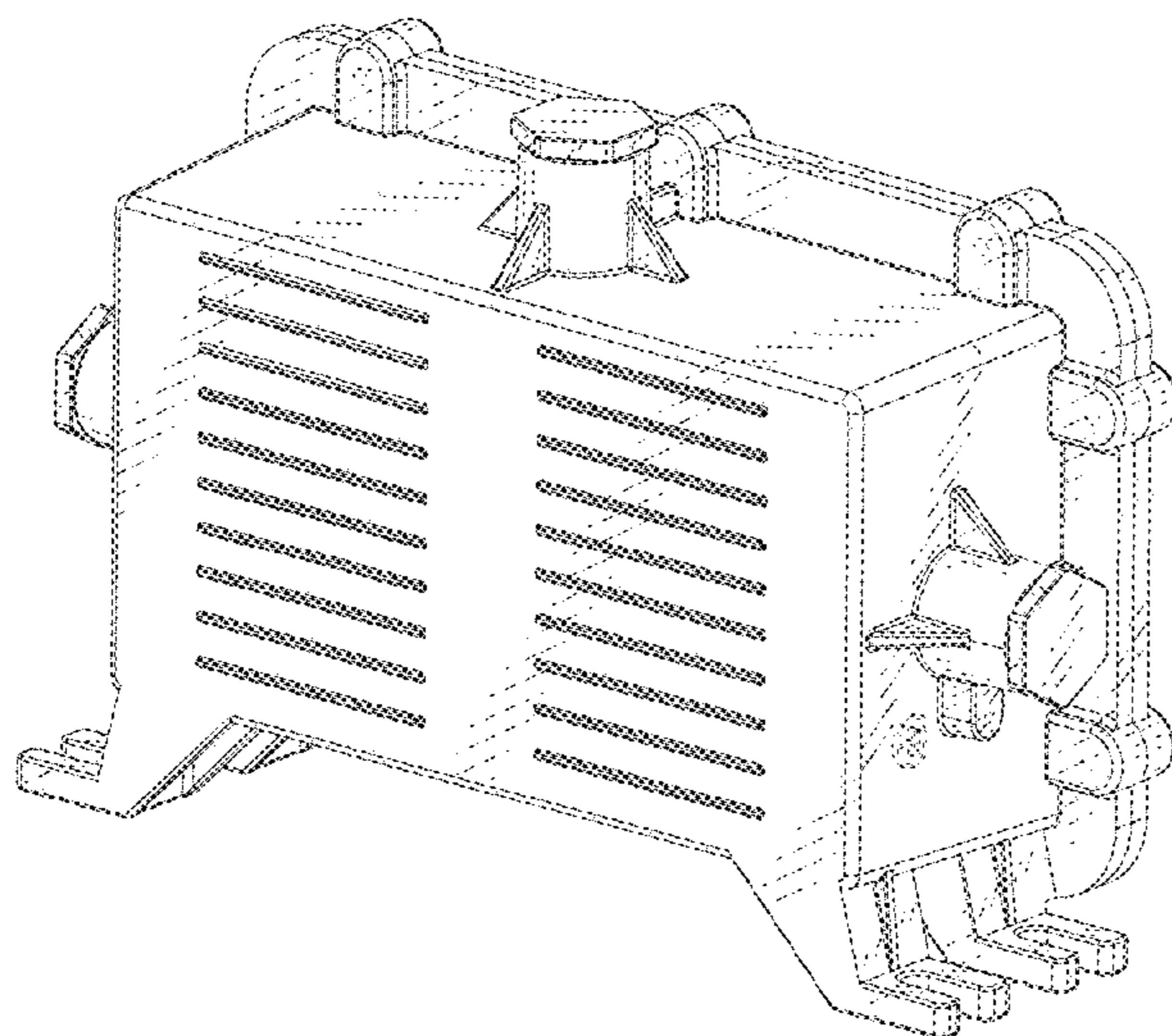
(57) **CLAIM**

The ornamental design for a non-explosion proof power box, as shown and described.

**DESCRIPTION**

FIG. 1 is a perspective view of a non-explosion proof power box showing my new design;  
FIG. 2 is a front elevation view thereof;  
FIG. 3 is a rear elevation view thereof;  
FIG. 4 is a left side elevation view thereof;  
FIG. 5 is a right side elevation view thereof;  
FIG. 6 is a top plan view thereof;  
FIG. 7 is a bottom plan view thereof; and,  
FIG. 8 is another perspective view thereof.  
The broken lines in the drawings illustrate portions of the non-explosion proof power box that forms no part of the claimed design.

**1 Claim, 8 Drawing Sheets**



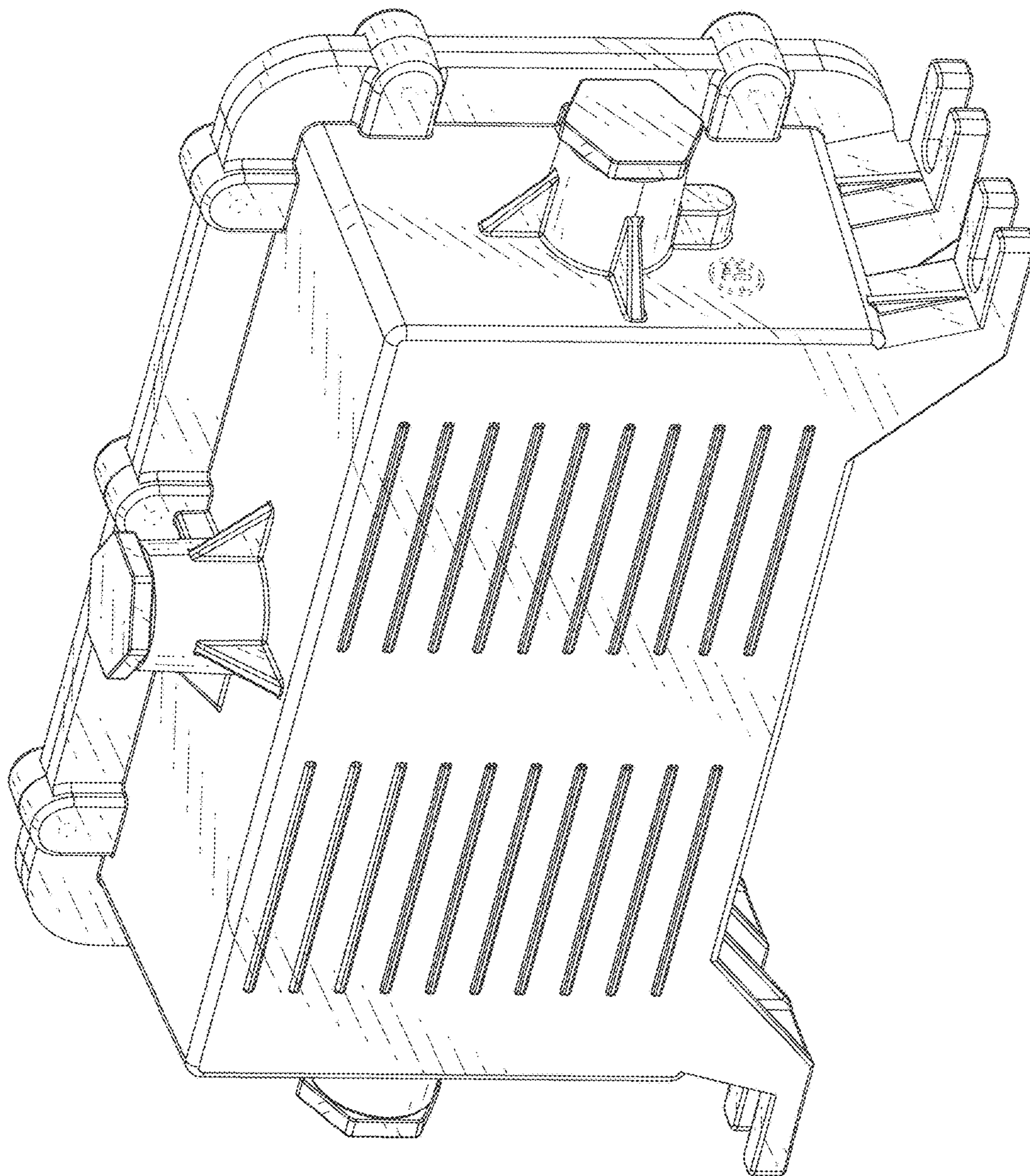


Fig. 1

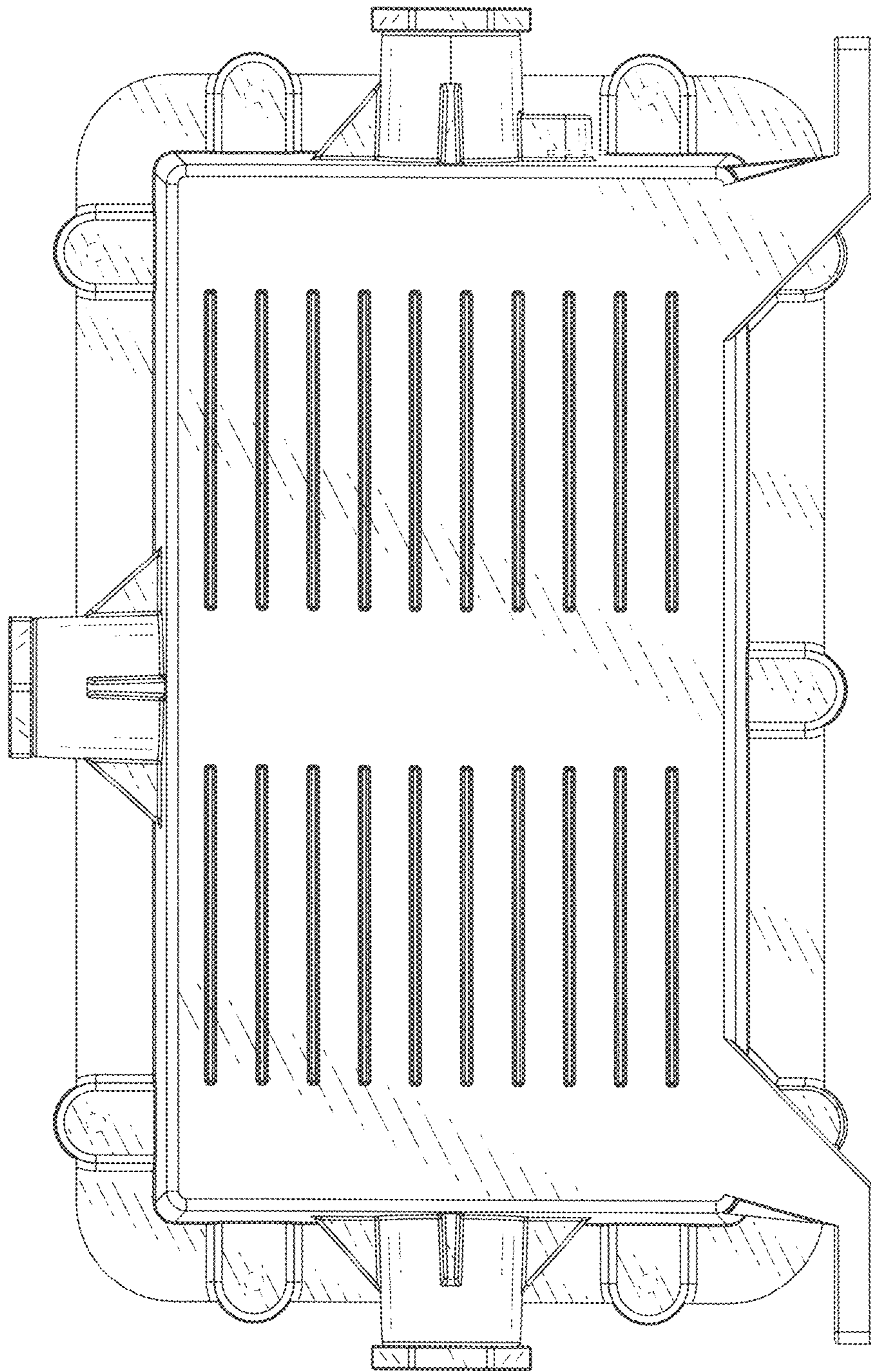


Fig. 2

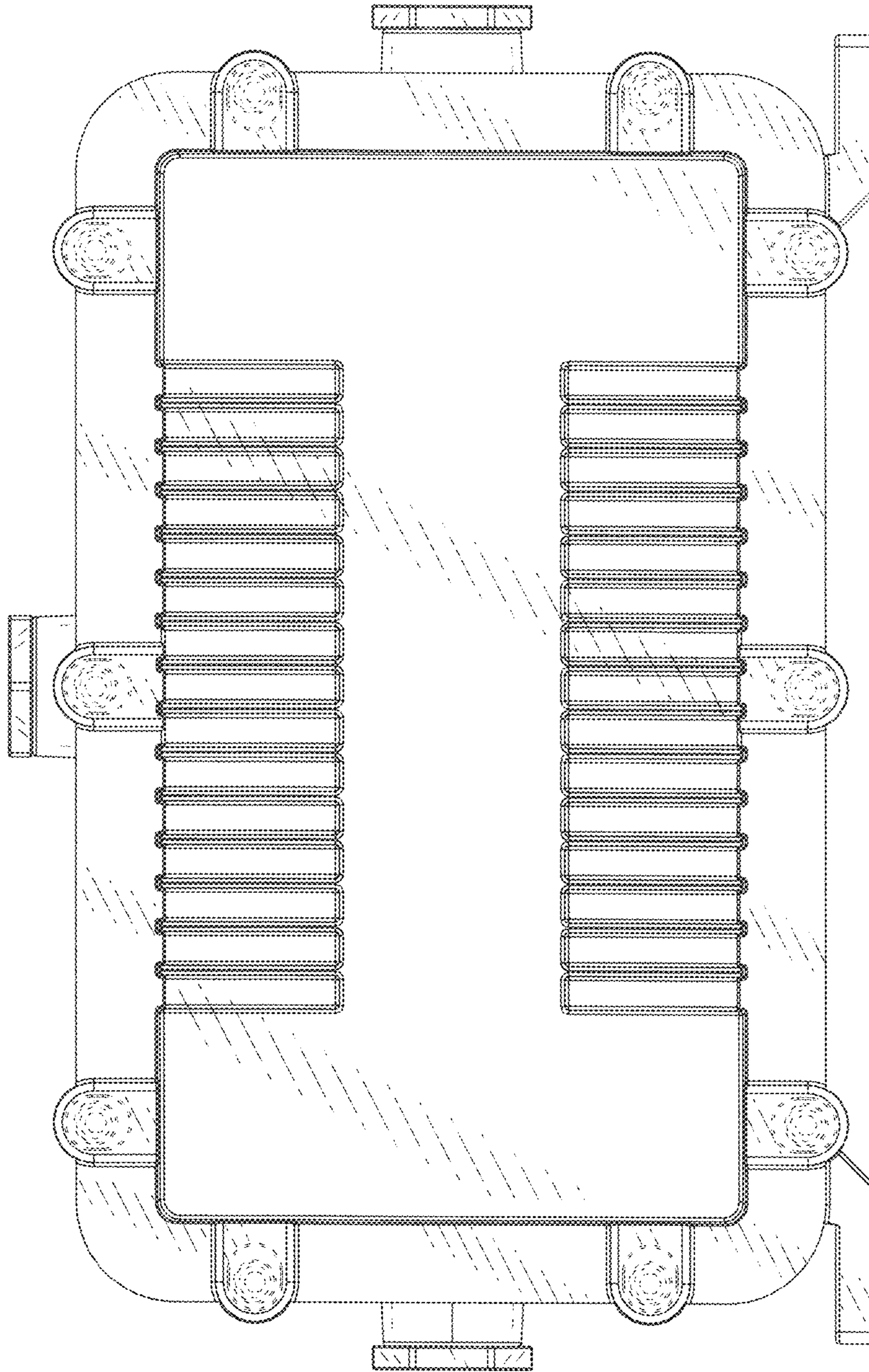


Fig.3

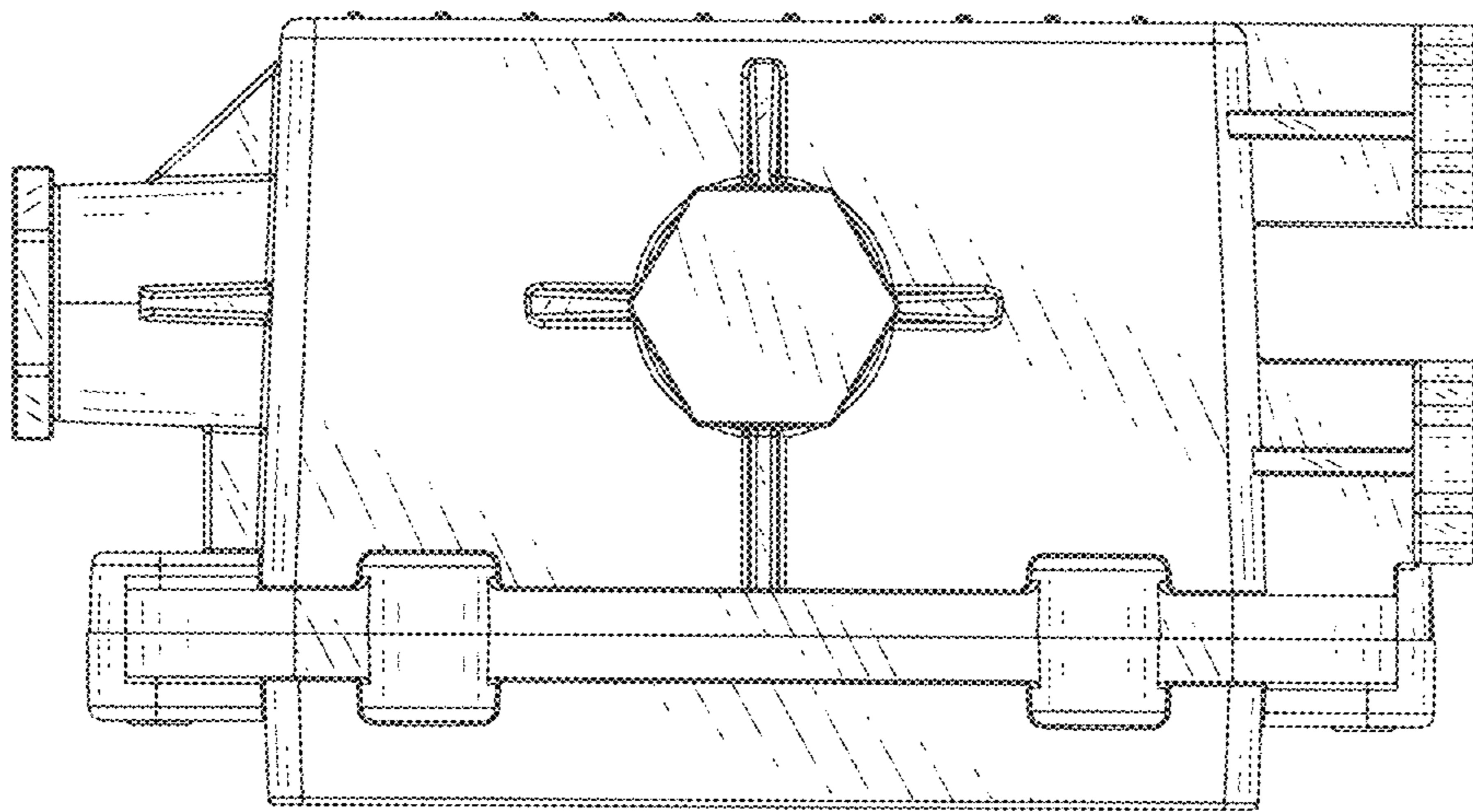


Fig.4

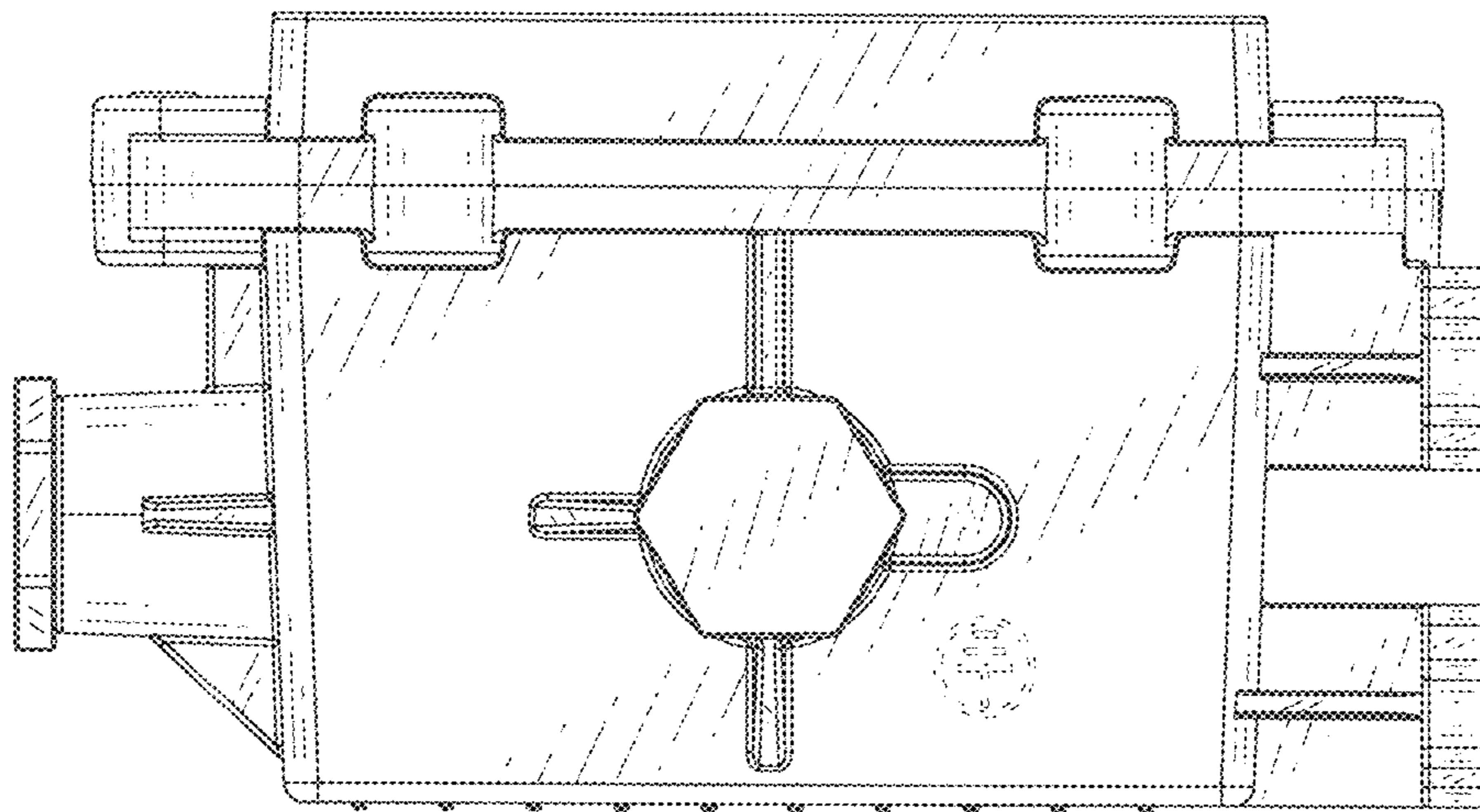


Fig. 5

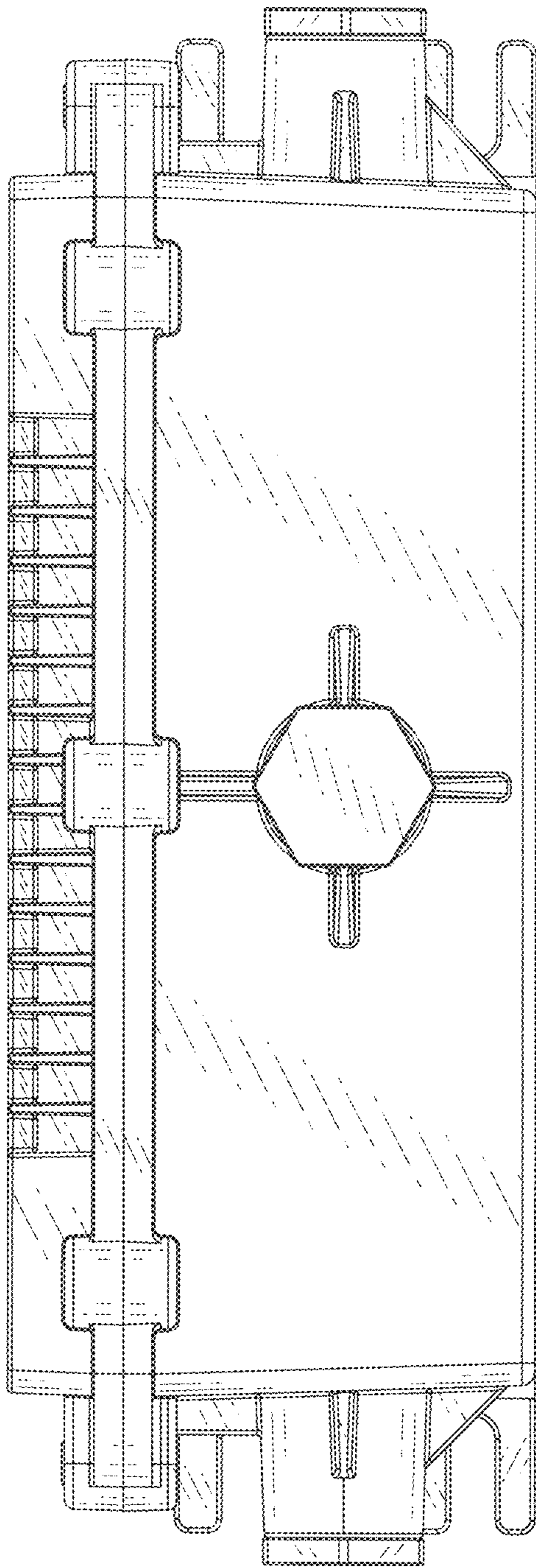


Fig.6

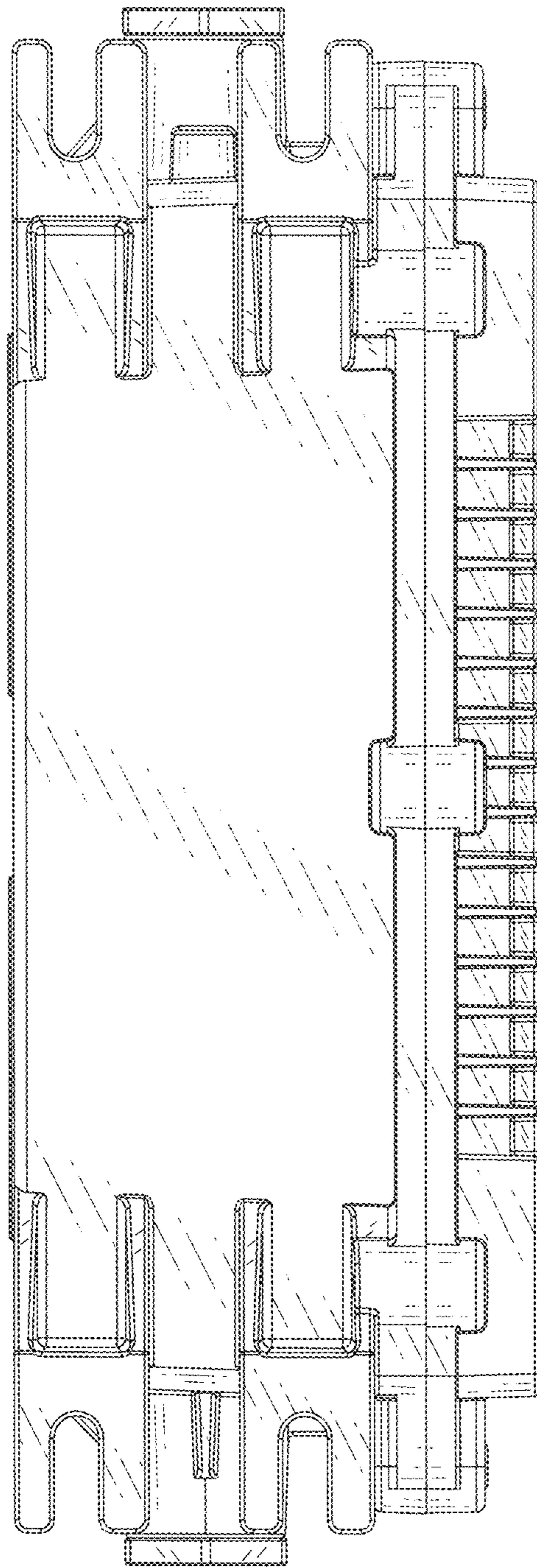


Fig. 7



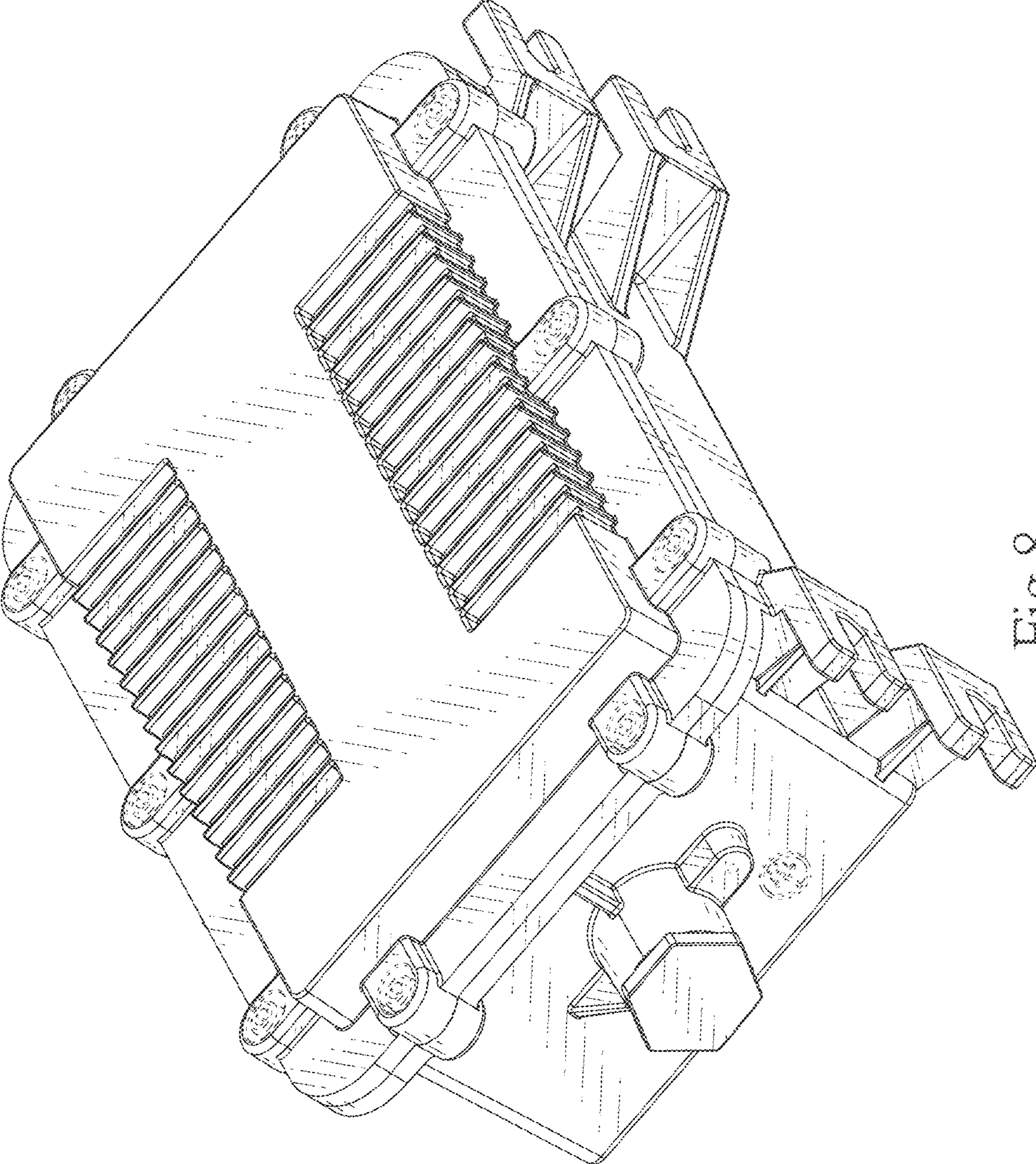


Fig. 8