



US00D871354S

(12) **United States Design Patent**
Nishimura et al.

(10) **Patent No.:** **US D871,354 S**

(45) **Date of Patent:** **** Dec. 31, 2019**

(54) **SWITCHGEAR**

(71) Applicant: **TOGAMI ELECTRIC MFG. CO., LTD.**, Saga (JP)

(72) Inventors: **Keishi Nishimura**, Saga (JP); **Kazuya Ishimoto**, Saga (JP)

(**) Term: **15 Years**

(21) Appl. No.: **35/504,481**

(22) Filed: **Aug. 17, 2017**

(80) **Hague Agreement Data**

Int. Filing Date: **Aug. 17, 2017**

Int. Reg. No.: **DM/097656**

Int. Reg. Date: **Aug. 17, 2017**

Int. Reg. Pub. Date: **Feb. 23, 2018**

(51) **LOC (12) Cl.** **13-03**

(52) **U.S. Cl.**
USPC **D13/158**

(58) **Field of Classification Search**

USPC D13/158, 110, 182; 307/66, 150, 34;
340/384.2; 381/401; 29/621.1; 310/326

CPC A01M 29/18; H04R 9/025; H02J 7/0045;
H02J 3/14; G01L 19/0084; H05K
7/20572; H01L 41/0906

See application file for complete search history.

(56) **References Cited**

U.S. PATENT DOCUMENTS

D552,561 S * 10/2007 Otsuka D13/160

D562,254 S * 2/2008 Otsuka D13/158

D562,256 S * 2/2008 Osumi D13/158
D562,776 S * 2/2008 Osumi D13/158
D686,165 S * 7/2013 Bullock D13/158
D688,633 S * 8/2013 Holaus D13/158
D693,313 S * 11/2013 Bullock D13/158
D703,152 S * 4/2014 Holaus D13/158
D726,126 S * 4/2015 Rizzi D13/158
D760,174 S * 6/2016 Rizzi D13/158
D800,667 S * 10/2017 Stoving D13/158

* cited by examiner

Primary Examiner — Rhea Shields

(57) **CLAIM**

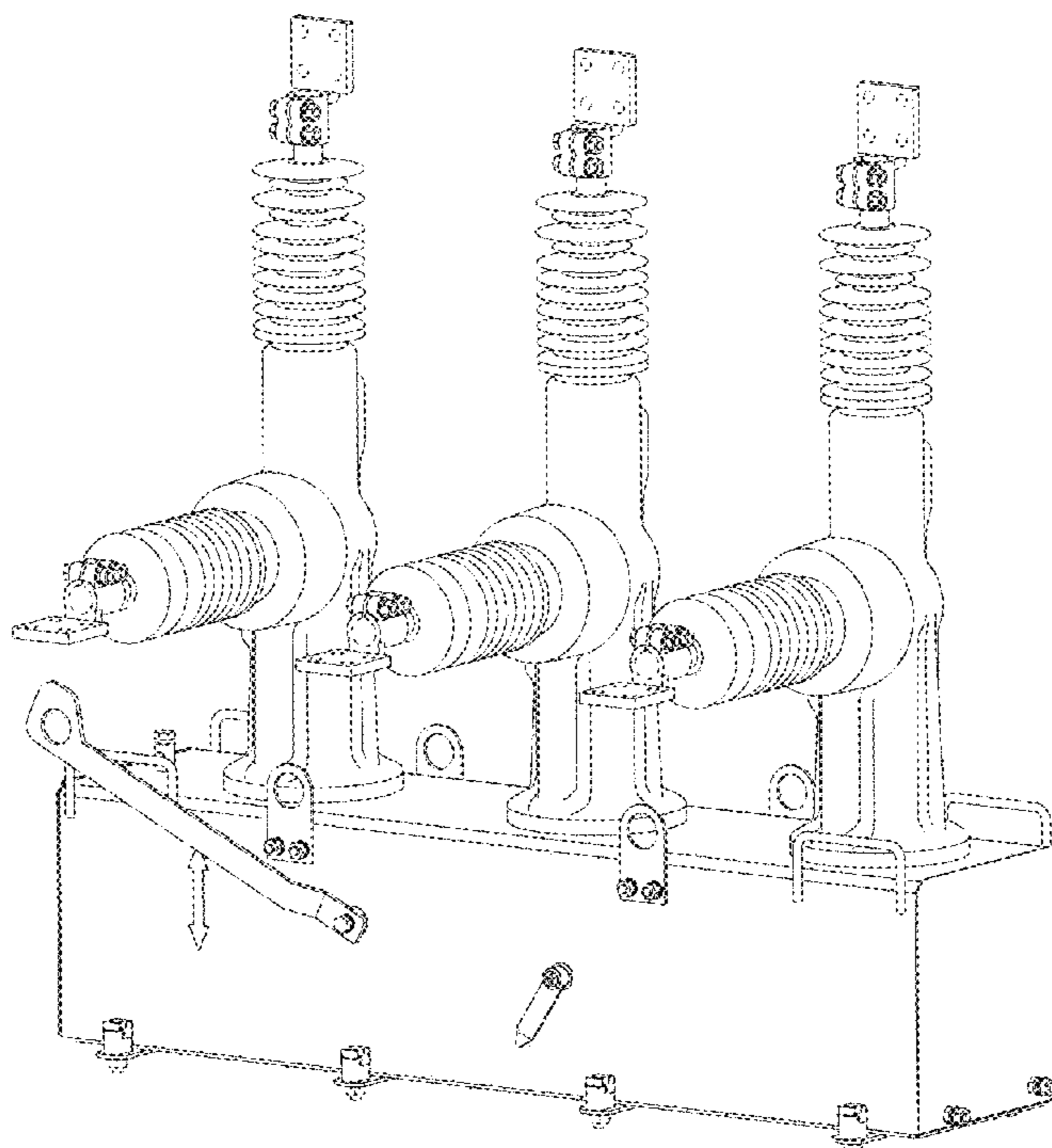
The ornamental design for a switchgear, as shown and described.

DESCRIPTION

- 1. Switchgear
- 1.1 Perspective
- 1.2 Front
- 1.3 Back
- 1.4 Left
- 1.5 Right
- 1.6 Top
- 1.7 Bottom

The broken lines illustrate structure or features which form no part of the claimed design.

1 Claim, 7 Drawing Sheets



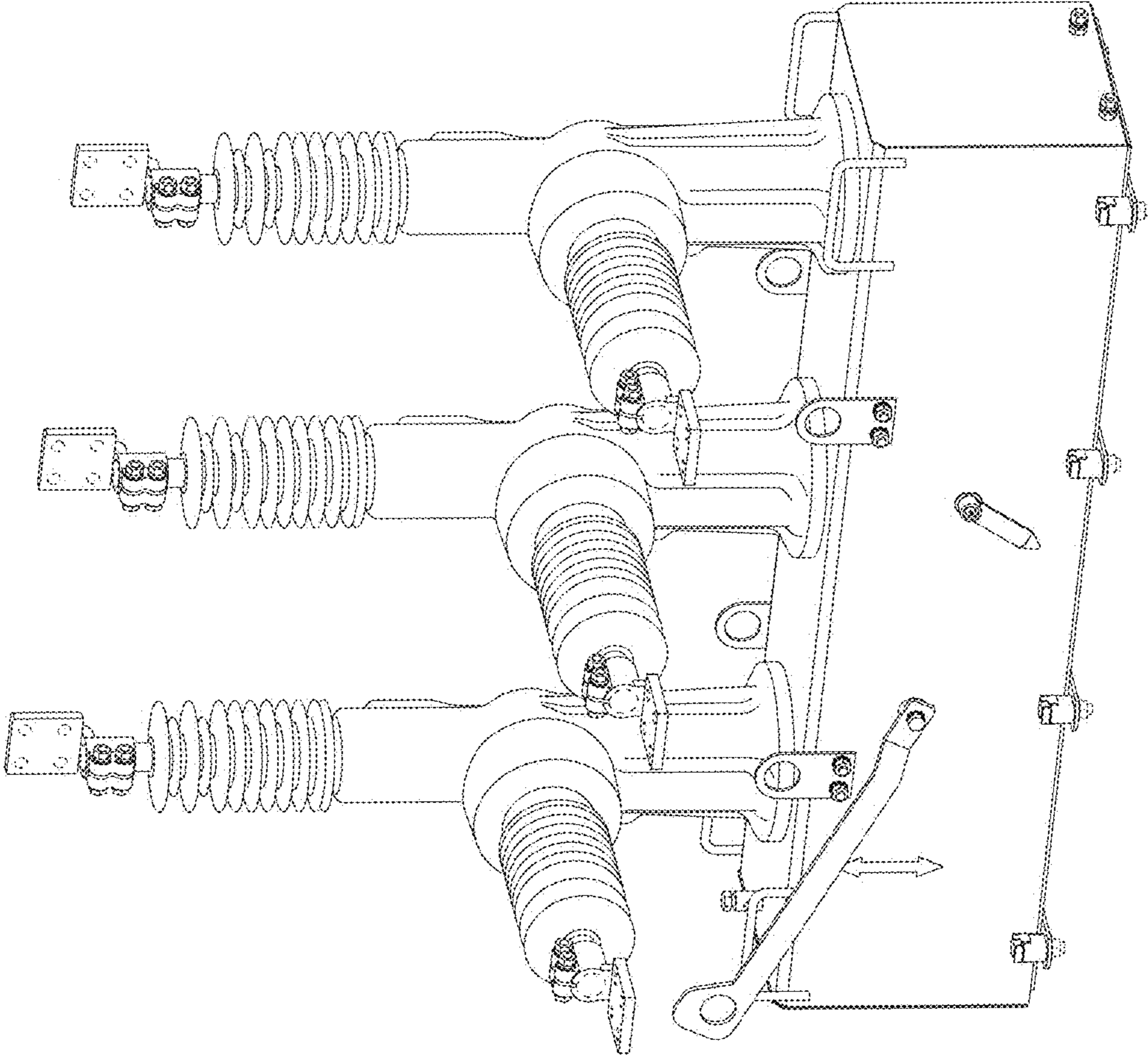


FIG. 1.1

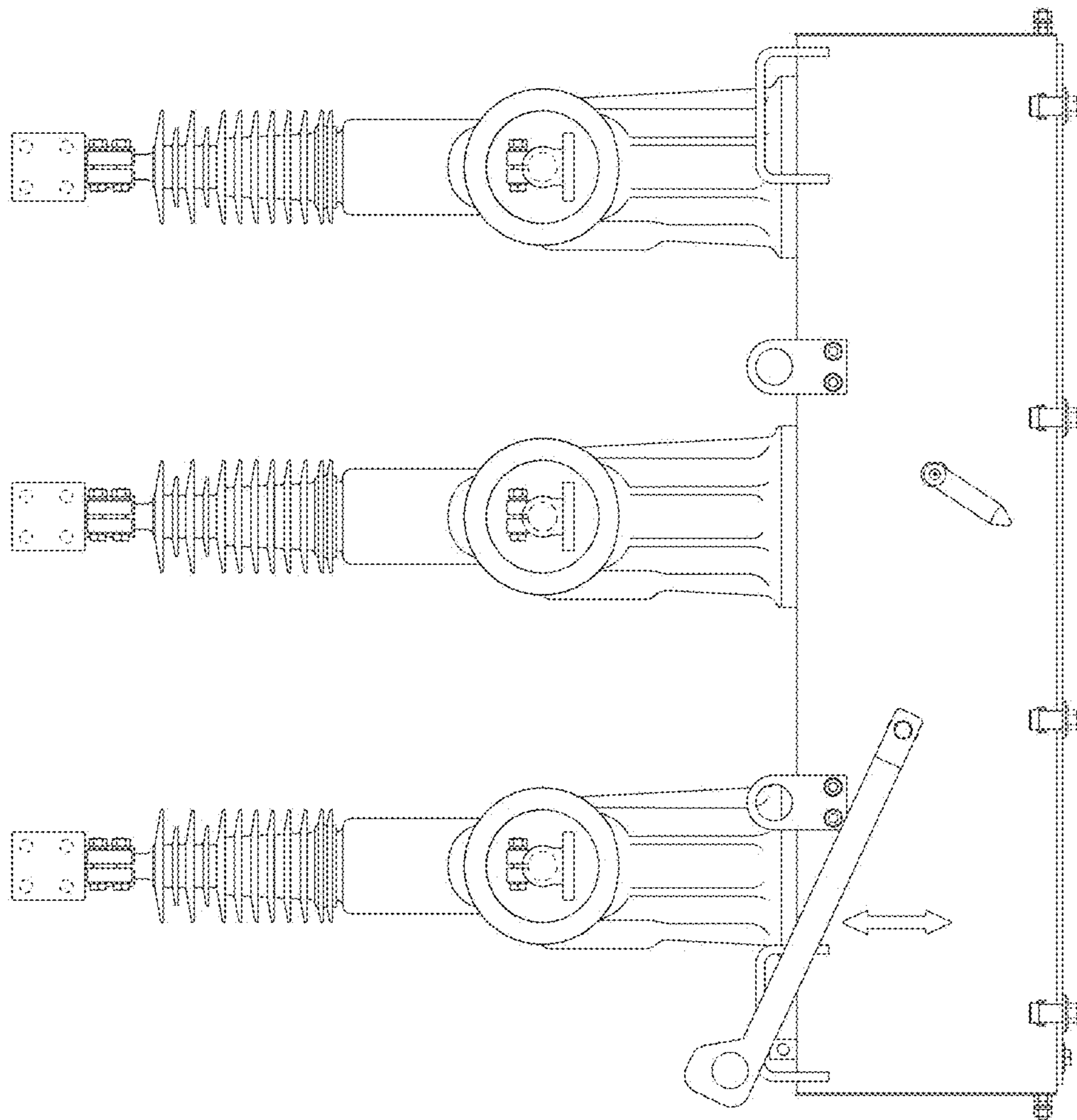


FIG. 1.2

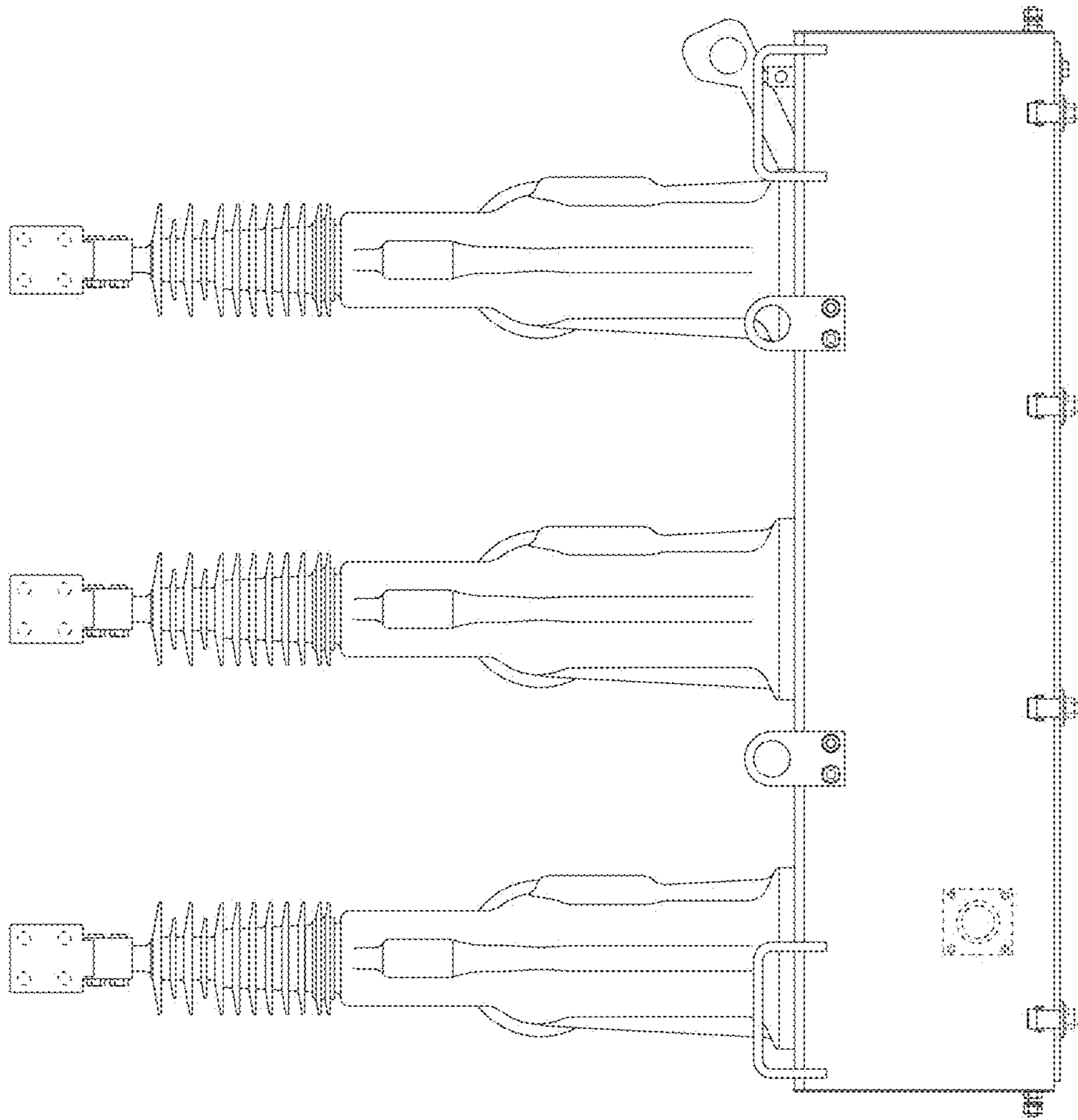


FIG. 1.3

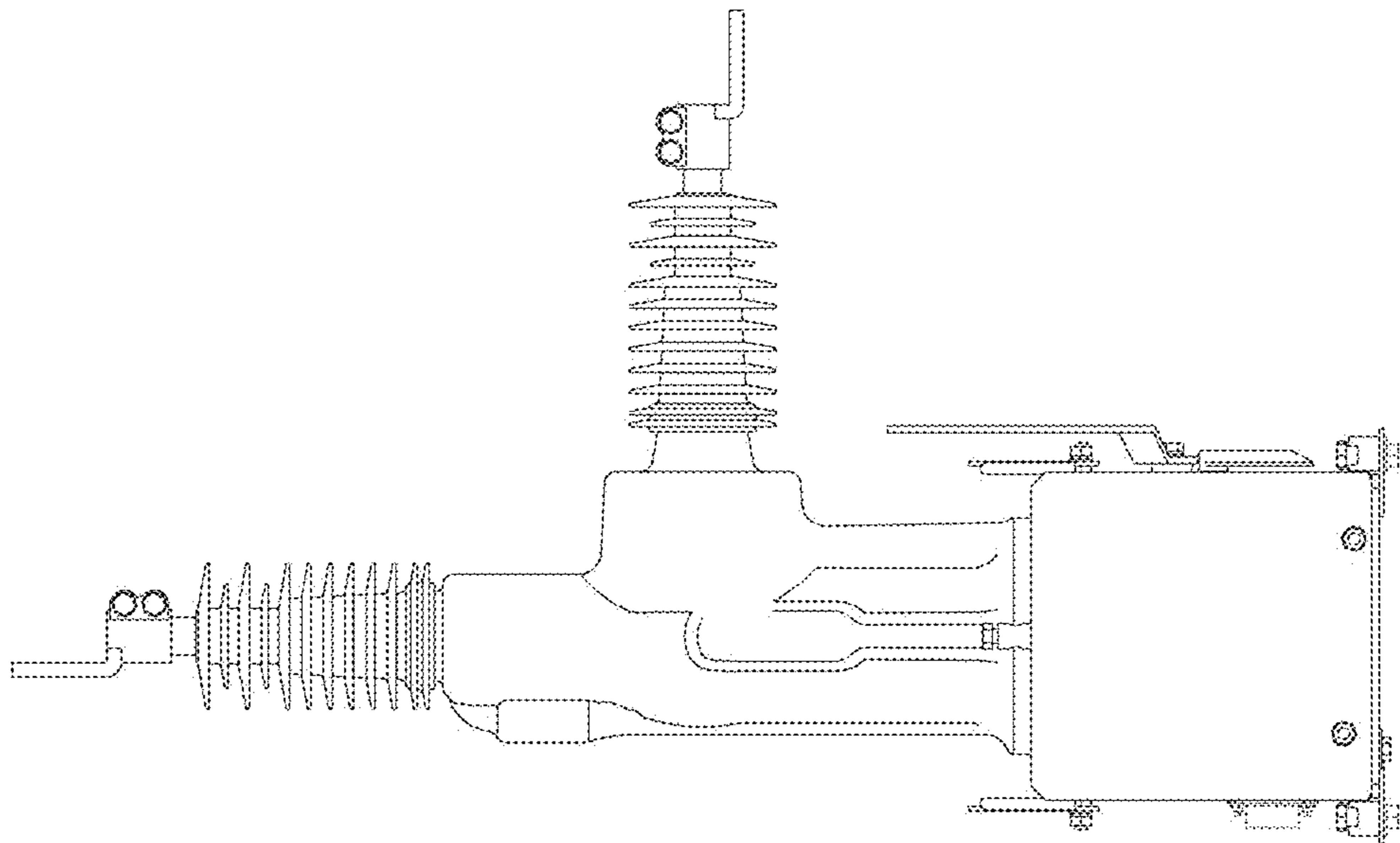


FIG. 1.4

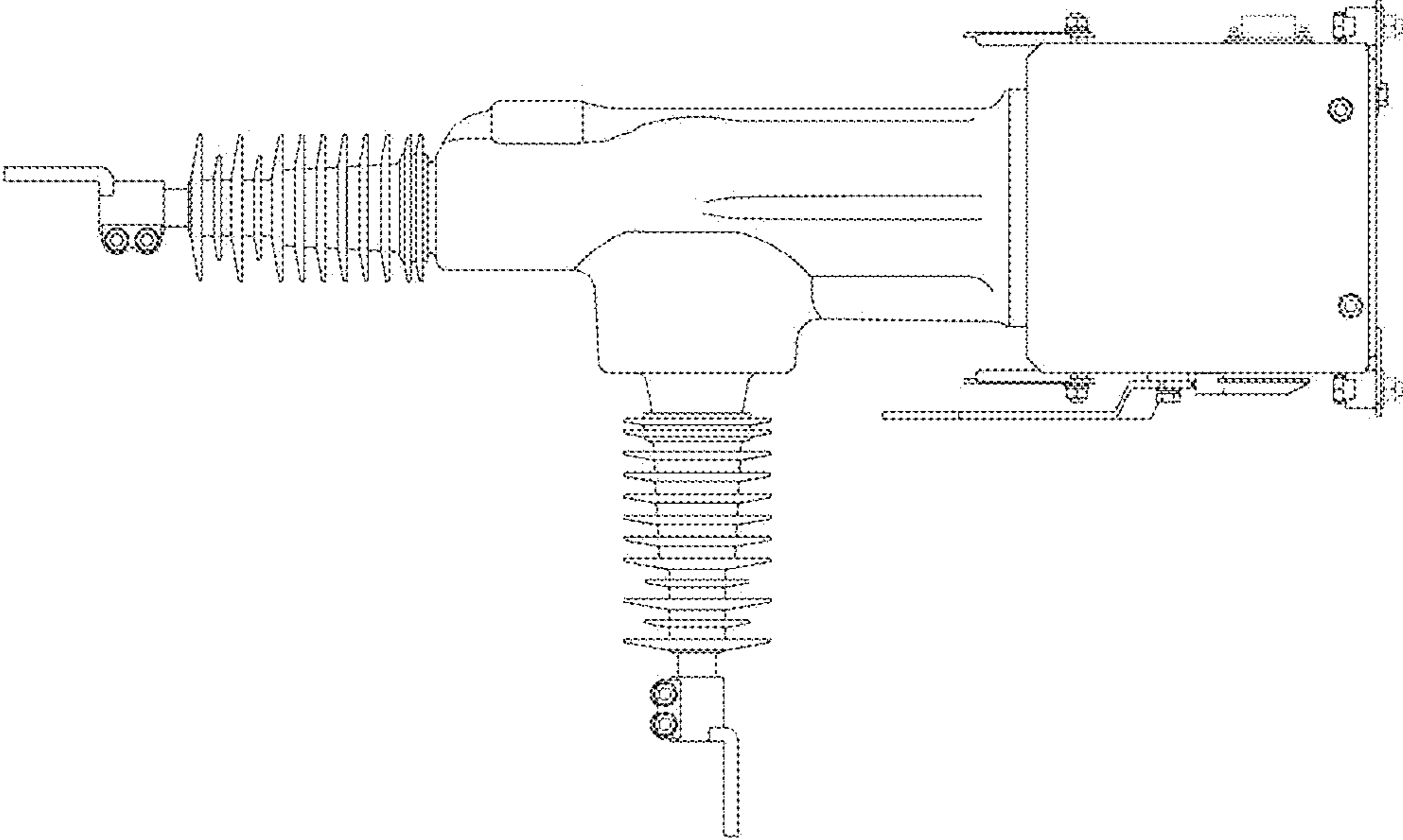


FIG. 1.5

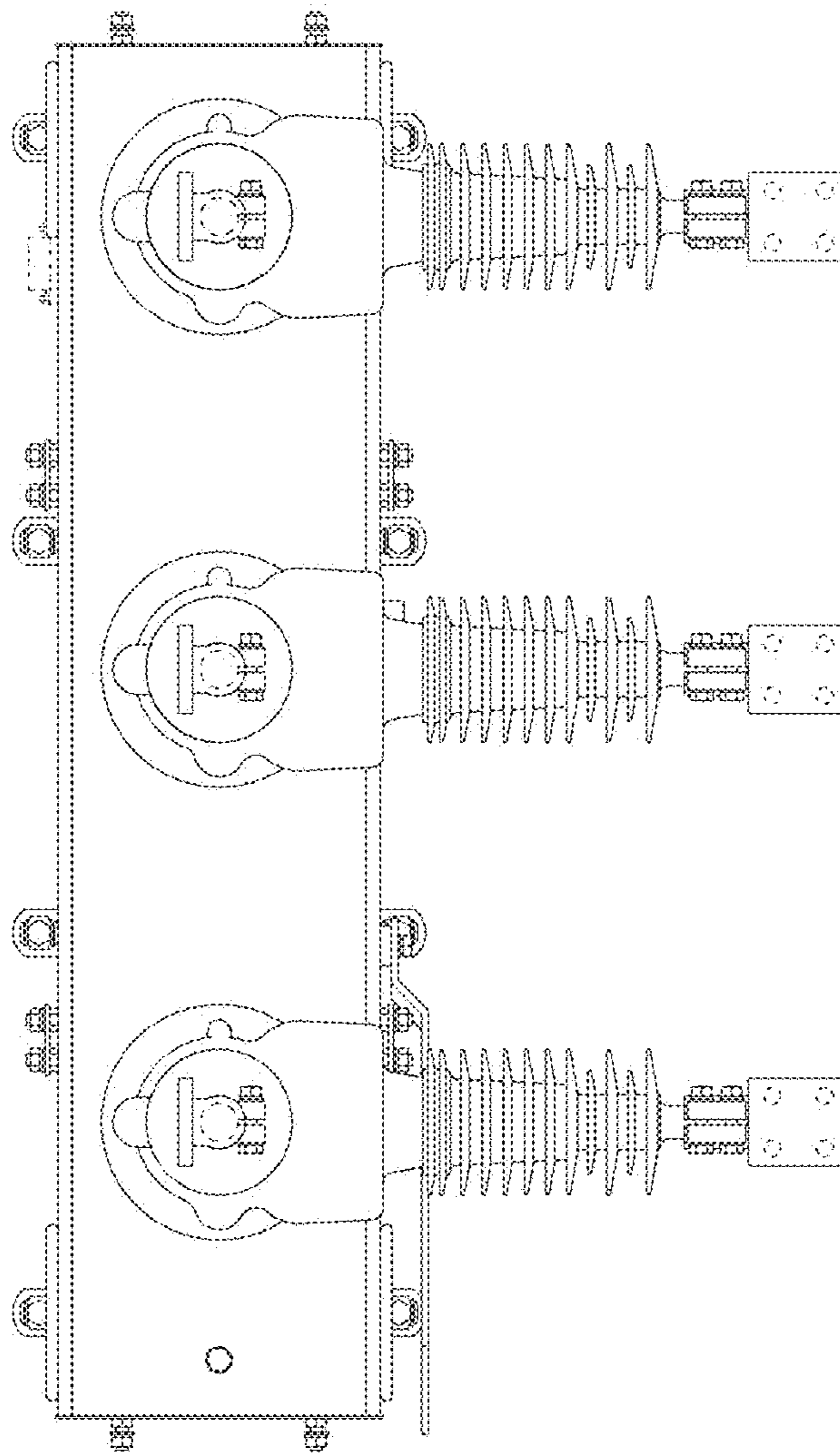


FIG. 1.6

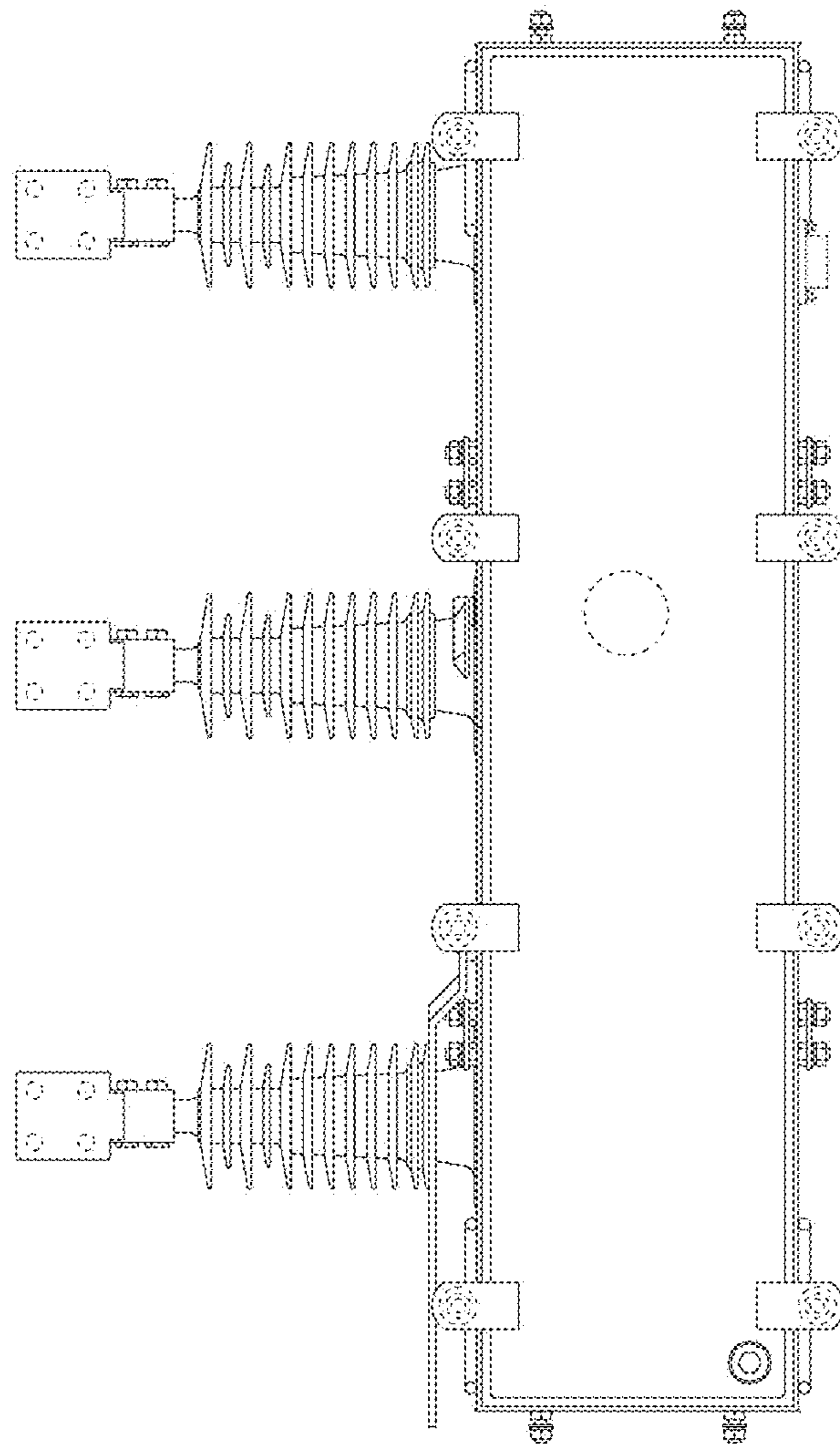


FIG. 1.7