



US00D871350S

(12) **United States Design Patent**  
**Lee et al.**

(10) **Patent No.:** **US D871,350 S**  
(45) **Date of Patent:** **\*\* Dec. 31, 2019**

(54) **WALL PLATE COVER FOR ELECTRONIC DEVICE**

D748,590 S \* 2/2016 Dorn ..... D13/174  
D795,203 S \* 8/2017 Vasquez ..... D13/169  
D839,847 S \* 2/2019 Dimberg ..... D13/171

(Continued)

(71) Applicant: **elago CO. LTD**, Goyang-si,  
Gyeonggi-do (KR)

(72) Inventors: **Chan Woo Lee**, Goyang-si (KR);  
**Chong Min Kim**, Seoul (KR)

(73) Assignee: **elago CO. LTD**, Goyang-si,  
Gyeonggi-Do (KR)

(\*\*) Term: **15 Years**

(21) Appl. No.: **29/648,178**

(22) Filed: **May 18, 2018**

(51) **LOC (12) Cl.** ..... **13-03**

(52) **U.S. Cl.**  
USPC ..... **D13/156**

(58) **Field of Classification Search**  
USPC ..... D13/137.1–139.8, 133, 146, 147, 123,  
D13/152, 162, 164, 169, 170, 171, 174,  
D13/177, 154, 156; D8/350, 351, 352,  
D8/353, 356

CPC ..... H02G 3/14; H01H 23/04; H01R 13/465;  
H01R 24/76; H01R 2103/00

See application file for complete search history.

(56) **References Cited**

**U.S. PATENT DOCUMENTS**

D191,594 S \* 10/1961 Clayton ..... D8/352  
D385,538 S \* 10/1997 Tatenuma ..... D14/483  
D438,175 S \* 2/2001 Stark ..... D13/152  
D464,630 S \* 10/2002 Woodworth ..... D13/171  
D471,260 S \* 3/2003 Otero ..... D23/254  
D506,382 S \* 6/2005 McIntosh ..... D8/352  
D633,776 S \* 3/2011 Chan ..... D8/352  
D658,131 S \* 4/2012 Chen ..... D13/156  
D725,603 S \* 3/2015 Semans ..... D13/156

**OTHER PUBLICATIONS**

Elago Wall Plate Cover for Nest Thermostat E [White]—  
[Complementary Rounded Design][Hard ABS Material][Easy Instal-  
lation](E series only), Date First Available Mar. 22, 2018, [online],  
[retrieved on Sep. 9, 2019]. Retrieved from Internet ,<URL: https://  
www.amazon.com/elago-Plate-Cover-Thermostat-White/dp/  
B07C8H4FHY>.\*

(Continued)

*Primary Examiner* — Bridget L Eland

(74) *Attorney, Agent, or Firm* — Paratus Law Group,  
PLLC

(57) **CLAIM**

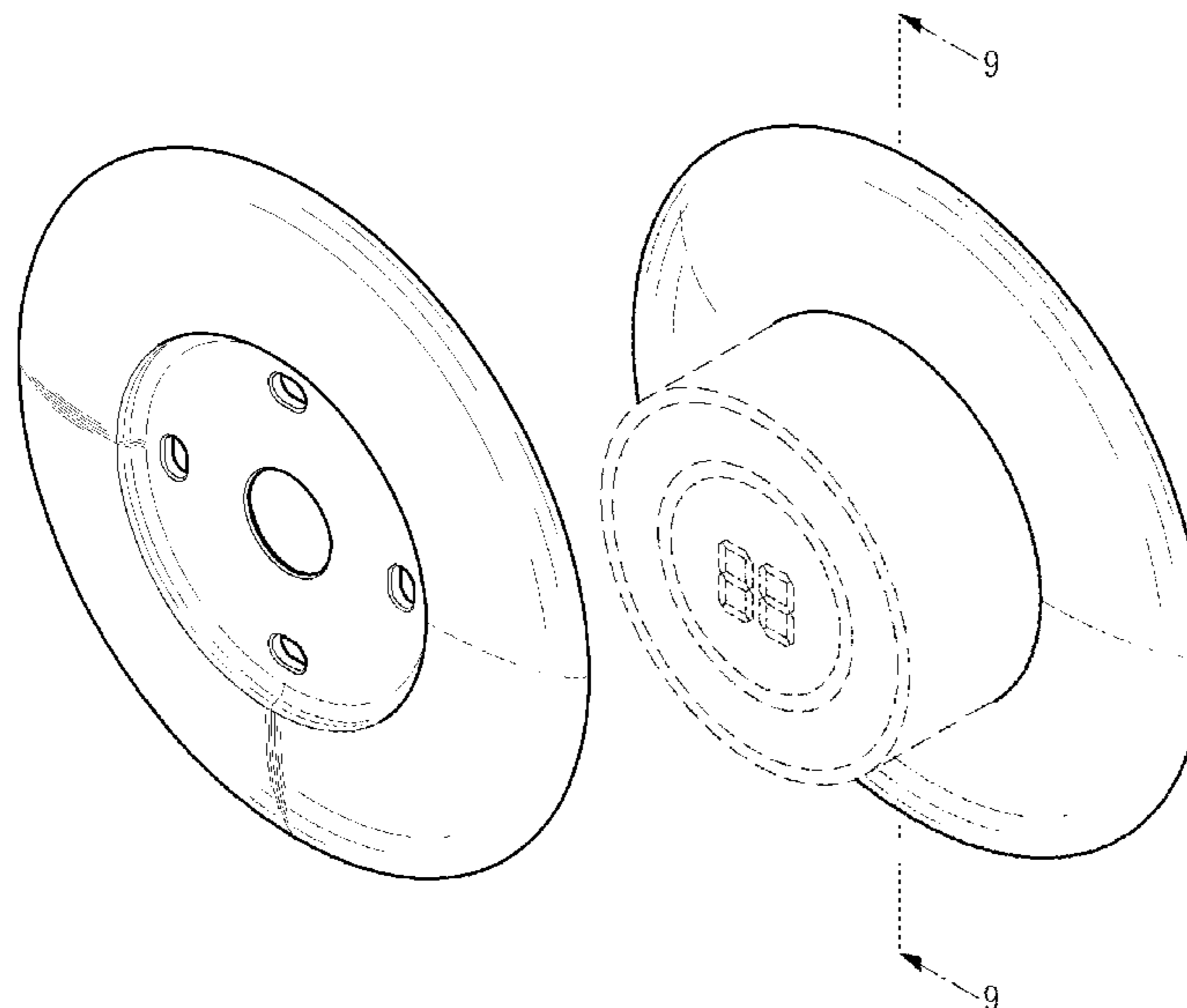
The ornamental design for a wall plate cover for electronic device, as shown and described.

**DESCRIPTION**

FIG. 1 is a front, top, and right perspective view of wall plate cover for electronic device showing claimed design;  
FIG. 2 is a front view thereof;  
FIG. 3 is a back view thereof;  
FIG. 4 is a left side view thereof;  
FIG. 5 is a right side view thereof;  
FIG. 6 is a top view thereof;  
FIG. 7 is a bottom view thereof;  
FIG. 8 is a front, top, and right perspective view thereof, shown with environment; and,  
FIG. 9 is a cross-sectional view taken in the direction of line 9-9 shown in FIG. 8.

The short evenly spaced and long evenly spaced broken lines in the views are directed to environment and the long dash short dash broken lines and arrows are used to identify the cross-section view. The broken lines form no part of the claimed design.

**1 Claim, 6 Drawing Sheets**



(56)

**References Cited**

U.S. PATENT DOCUMENTS

D846,508 S \* 4/2019 Dimberg ..... D13/171

OTHER PUBLICATIONS

Ebay Nest Wall, Reviewed by monkjkm Dec. 28, 2017, [online], [retrieved on Sep. 9, 2019]. Retrieved from Internet ,<URL: [https://www.ebay.com/p/Nest-Wall-Thermostat-Cover-Round-Steel-Stainless-Outlet-Plate-Stylish-Decor-Tax0/2159915506?iid=293186588362&\\_trkparms=aid%3D555018%26algo%3DPL.SIM%26ao%3D1%26asc%3D20170810093](https://www.ebay.com/p/Nest-Wall-Thermostat-Cover-Round-Steel-Stainless-Outlet-Plate-Stylish-Decor-Tax0/2159915506?iid=293186588362&_trkparms=aid%3D555018%26algo%3DPL.SIM%26ao%3D1%26asc%3D20170810093)>.\*

Sportlink Wall Plate Cover, Date First Available Nov. 18, 2018, [online], [retrieved on Sep. 9, 2019]. Retrieved from Internet, <URL: [https://www.amazon.com/SPORTLINK-Plate-Thermostat-Generation-Connpatible/dp/B07KP4HDC2/ref=sr\\_1\\_5?keywords=Nest+Wall+plate&qid=1568078756&s=gateway&sr=8-5](https://www.amazon.com/SPORTLINK-Plate-Thermostat-Generation-Connpatible/dp/B07KP4HDC2/ref=sr_1_5?keywords=Nest+Wall+plate&qid=1568078756&s=gateway&sr=8-5)>.\*

\* cited by examiner

FIG. 1

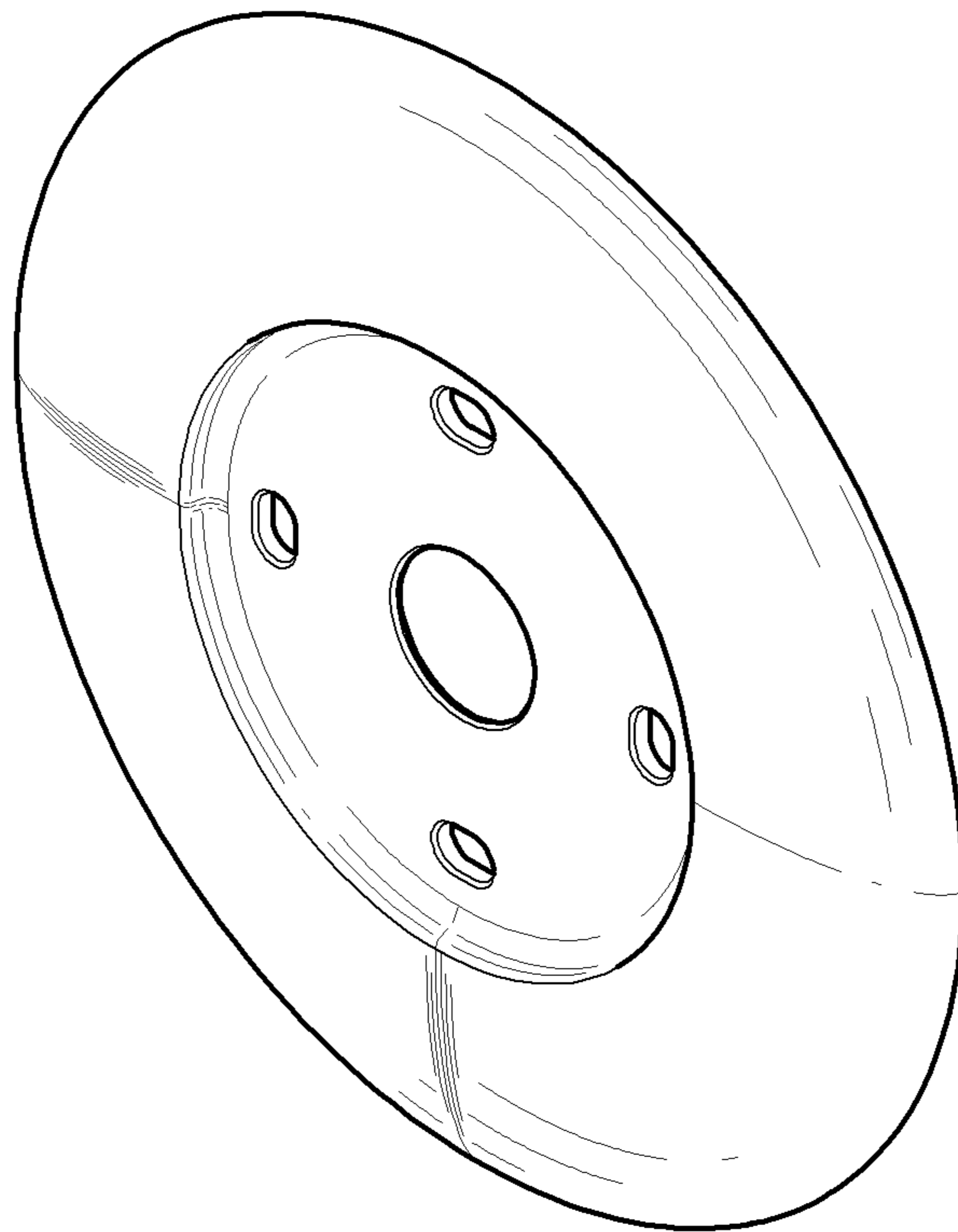


FIG. 2

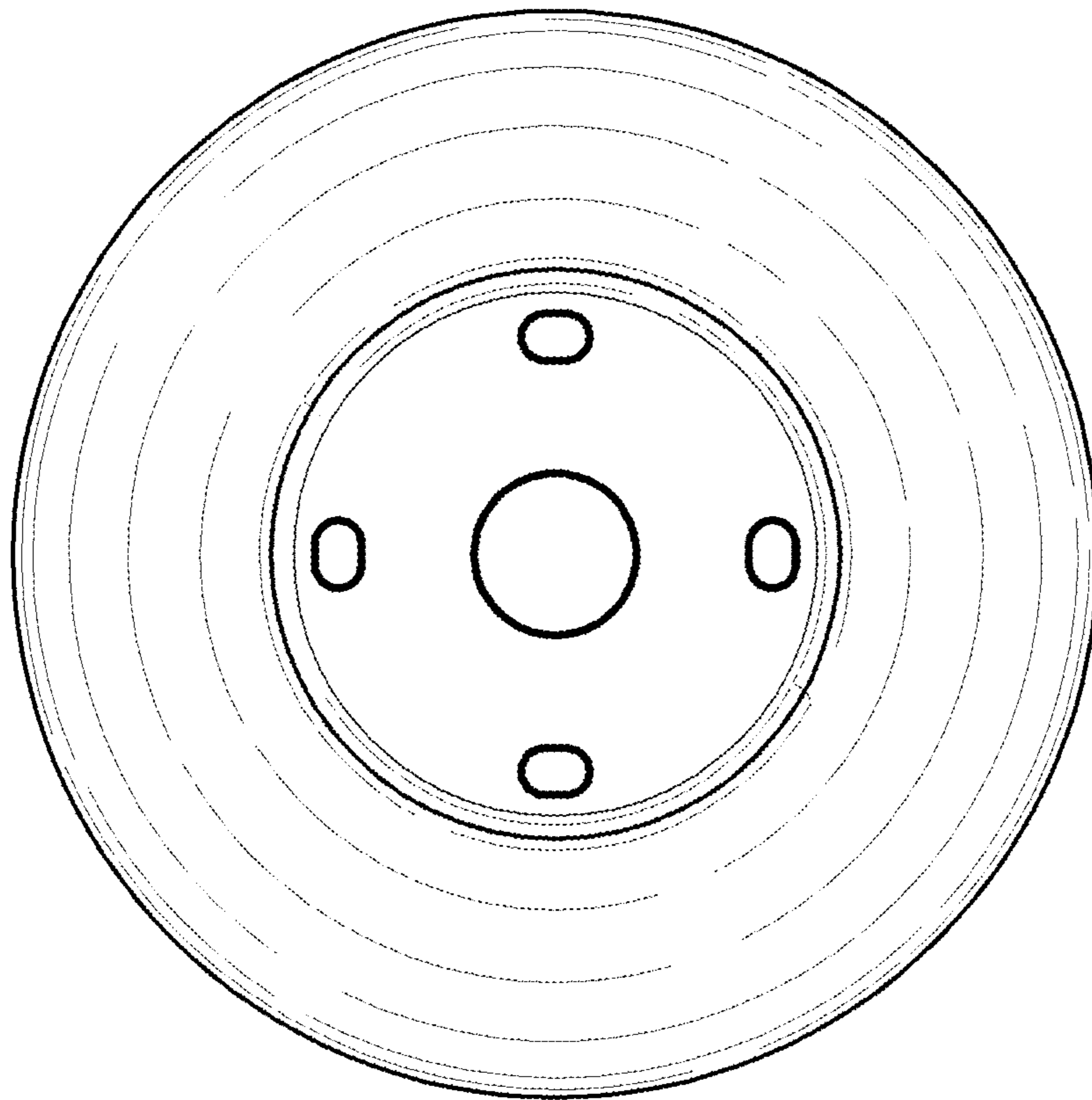


FIG. 3

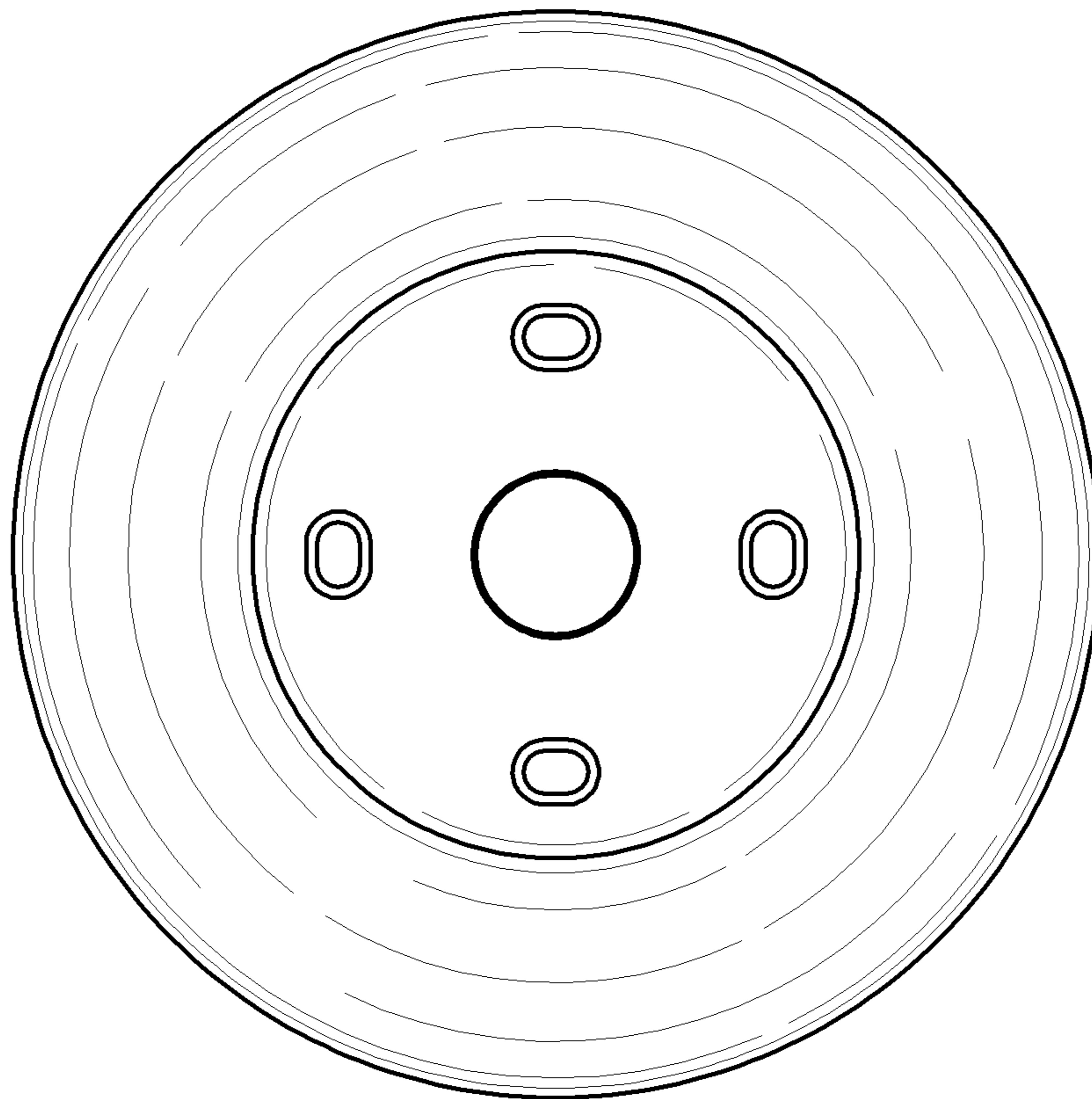


FIG. 4



FIG. 5



FIG. 6



FIG. 7



FIG. 8

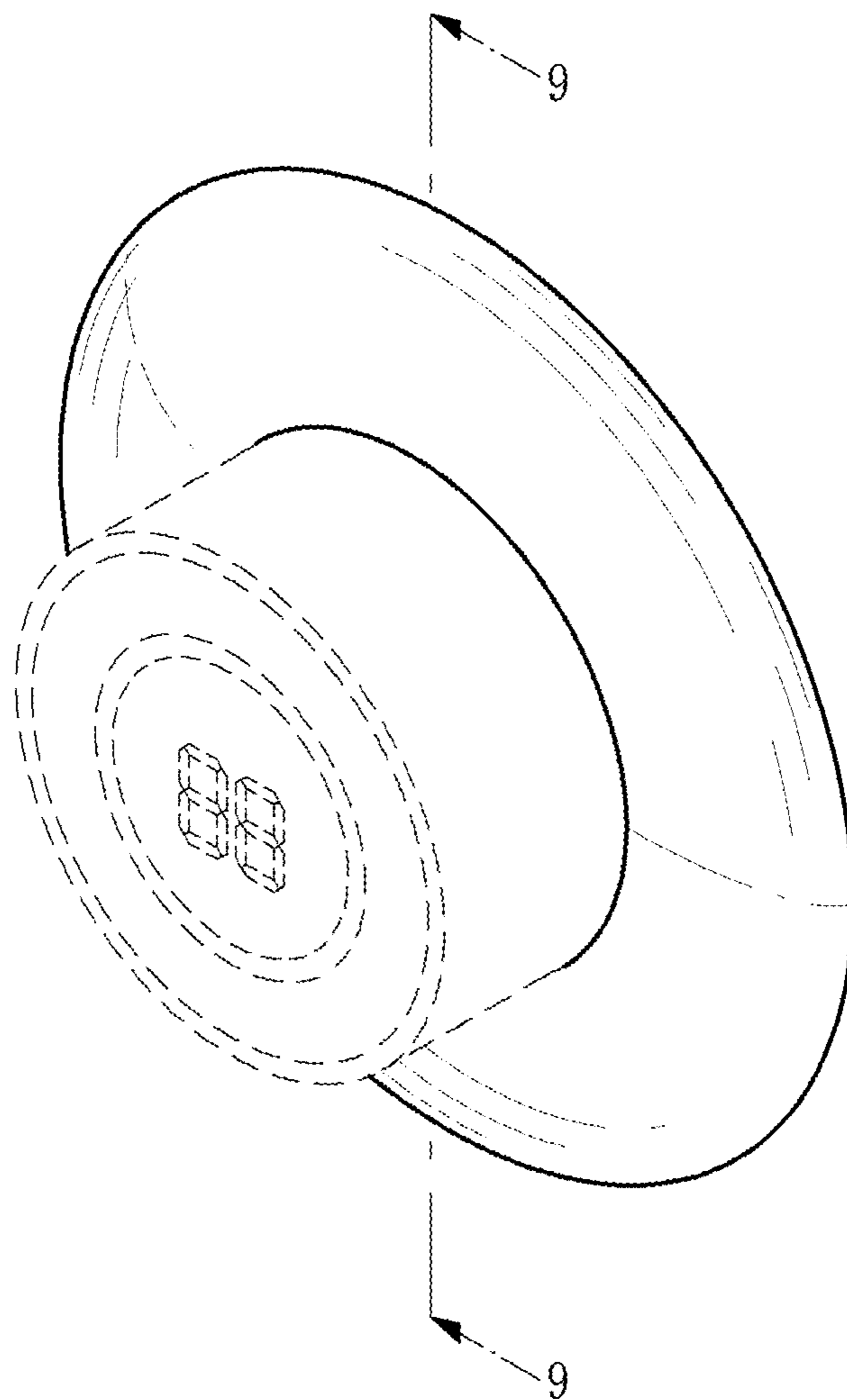


FIG. 9

