



US00D871347S

(12) **United States Design Patent** (10) **Patent No.:** **US D871,347 S**  
**Fioriello** (45) **Date of Patent:** **\*\* Dec. 31, 2019**

(54) **ELECTRICAL BOX WITH MOVABLE ACCESS PANEL**

(71) Applicant: **Richard Fioriello**, Staten Island, NY (US)

(72) Inventor: **Richard Fioriello**, Staten Island, NY (US)

(\*\*) Term: **15 Years**

(21) Appl. No.: **29/666,295**

(22) Filed: **Oct. 11, 2018**

(51) **LOC (12) Cl.** ..... **13-03**

(52) **U.S. Cl.**  
USPC ..... **D13/152**

(58) **Field of Classification Search**

USPC ..... D13/103, 107, 108, 110, 118, 119, 123, D13/133, 137.1-137.4, 138.1-138.2, D13/139.1-139.8, 152-154, 184, 199  
CPC ..... H01R 25/00; H01R 25/006; H01R 13/00; H01R 13/04; H01R 13/10; H01R 13/6666; H01R 13/6675; H01R 9/00; H01R 11/00; H01H 2207/00; H01H 2207/022; H01H 2203/00; H02J 7/00; H02J 7/0003; H02J 7/0011; H02J 7/0013; H02J 7/0054; H02J 7/0055; H02J 7/0057; H01M 2/02; H01M 2/022; H01M 2/0202; H01M 2/0207; H01M 2/0212; H01M 2220/10; H01M 2220/20; Y02E 60/12; Y02E 60/122; Y02E 60/124; Y02E 60/50; H02G 3/08; H05K 5/00; H05K 5/02; H05K 5/0247

See application file for complete search history.

(56) **References Cited**

**U.S. PATENT DOCUMENTS**

3,386,606 A 6/1968 Pastrick  
4,246,436 A 1/1981 Hoffman et al.  
4,805,073 A 2/1989 Johnson et al.

6,359,222 B1 3/2002 Norvelle  
D457,140 S \* 5/2002 Roesch ..... D13/152  
D461,455 S \* 8/2002 Forbes ..... D13/152  
D462,664 S \* 9/2002 Roesch ..... D13/152  
D510,323 S \* 10/2005 Hawken ..... D13/152  
7,207,830 B2 \* 4/2007 Conway ..... H02G 3/08  
361/42

8,642,885 B2 2/2014 Davila et al.  
D722,296 S \* 2/2015 Taylor ..... D13/152

(Continued)

*Primary Examiner* — Rosemary K Tarcza  
*Assistant Examiner* — Christy M Nemeth  
(74) *Attorney, Agent, or Firm* — Goldstein Law Offices, P.C.

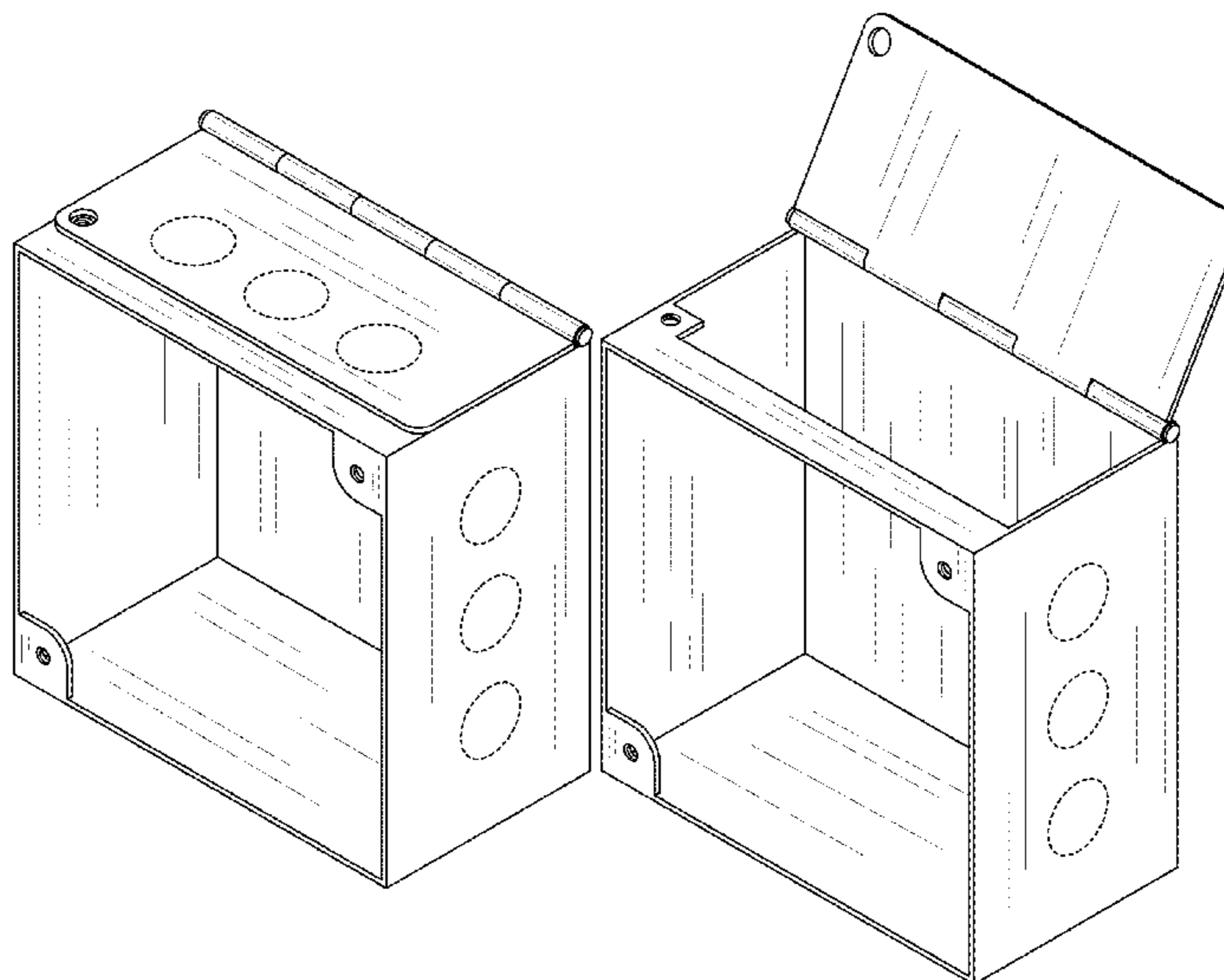
(57) **CLAIM**

The ornamental design for a electrical box with movable access panel, as shown and described.

**DESCRIPTION**

FIG. 1 is a perspective view of the electrical box with movable access panel, shown in a first position.  
FIG. 2 is a top plan view of the electrical box with movable access panel.  
FIG. 3 is a bottom plan view thereof.  
FIG. 4 is a front elevational view thereof.  
FIG. 5 is a rear elevational view thereof.  
FIG. 6 is a left side elevational view thereof.  
FIG. 7 is a right side elevational view thereof.  
FIG. 8 is a perspective view of the electrical box with movable access panel, in an alternate position.  
FIG. 9 is a top plan view thereof.  
FIG. 10 is a bottom plan view thereof.  
FIG. 11 is a front elevational view thereof.  
FIG. 12 is a rear elevational view thereof.  
FIG. 13 is a left side elevational view thereof; and,  
FIG. 14 is a right side elevational view thereof.  
The broken lines in the drawings are for the purpose of illustrating portions of the electrical box with movable access panel that form no part of the claimed design.

**1 Claim, 9 Drawing Sheets**



(56)

**References Cited**

U.S. PATENT DOCUMENTS

8,981,220 B2 \* 3/2015 Fargano ..... H02G 3/081  
174/50.52  
D744,431 S \* 12/2015 Hagarty ..... D13/152  
D745,465 S \* 12/2015 Hagarty ..... D13/152  
D752,520 S \* 3/2016 Hagarty ..... D13/152  
D766,185 S \* 9/2016 Hagarty ..... D13/152  
D766,186 S \* 9/2016 Hagarty ..... D13/152  
D776,060 S \* 1/2017 Haberkorn ..... D13/152  
9,553,433 B2 \* 1/2017 Lalancette ..... H02G 3/08  
D778,241 S \* 2/2017 Holbrook ..... D13/152  
9,673,596 B2 \* 6/2017 Roberts ..... H02G 3/085  
9,871,362 B2 1/2018 Blaine  
D814,424 S \* 4/2018 DeCosta ..... D13/152  
2010/0258559 A1 10/2010 Robinson et al.

\* cited by examiner

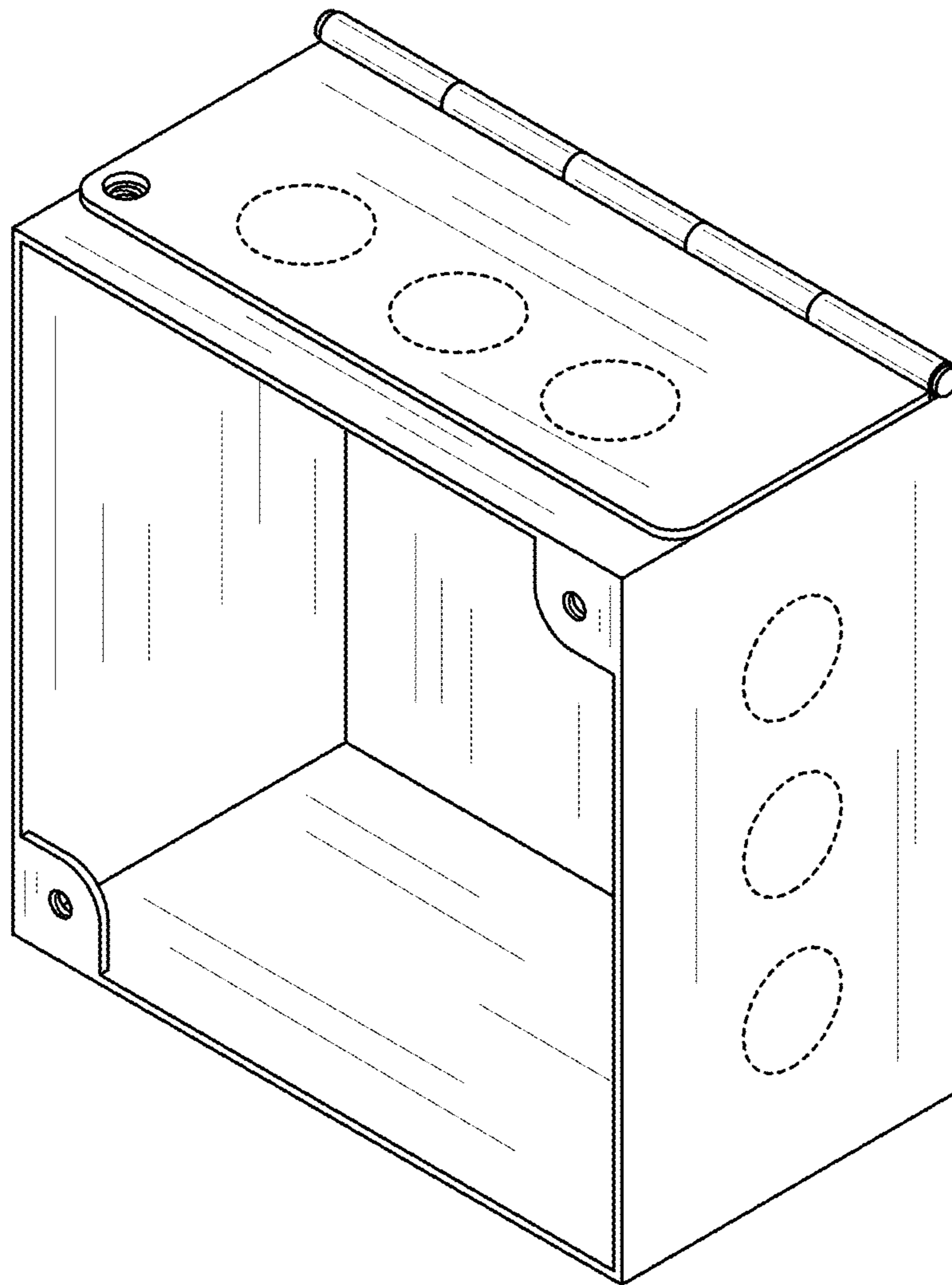


FIG. 1

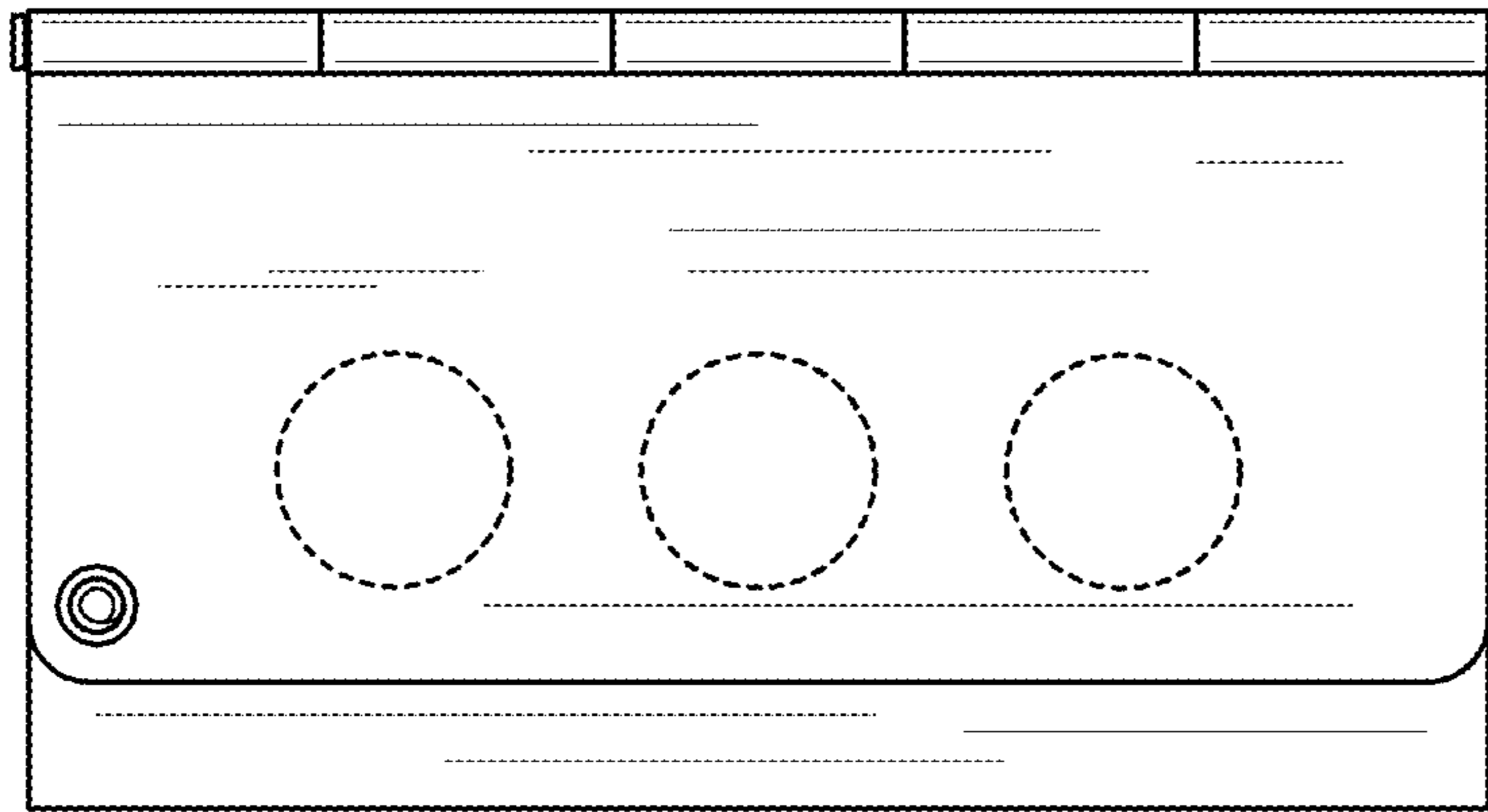


FIG. 2

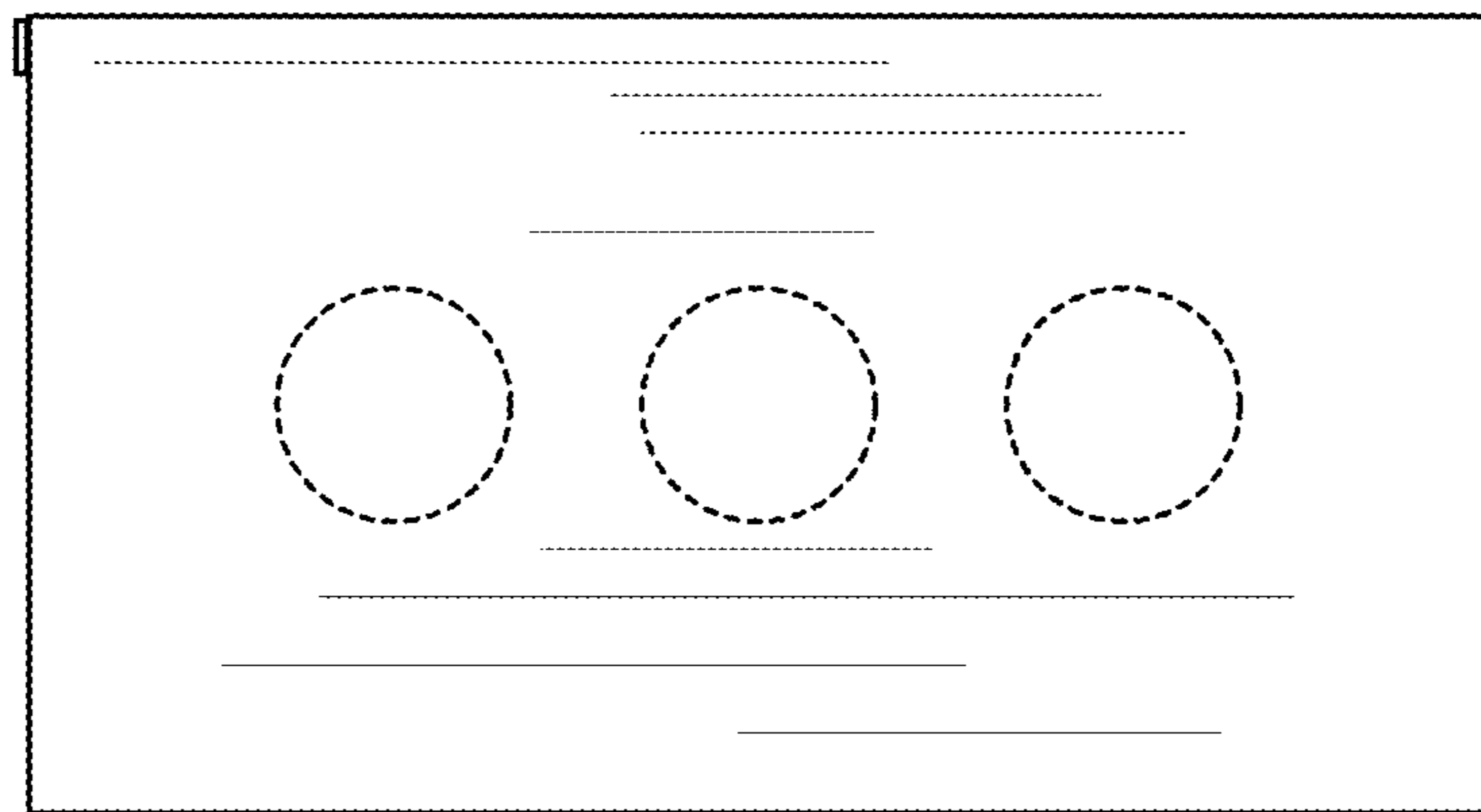


FIG. 3

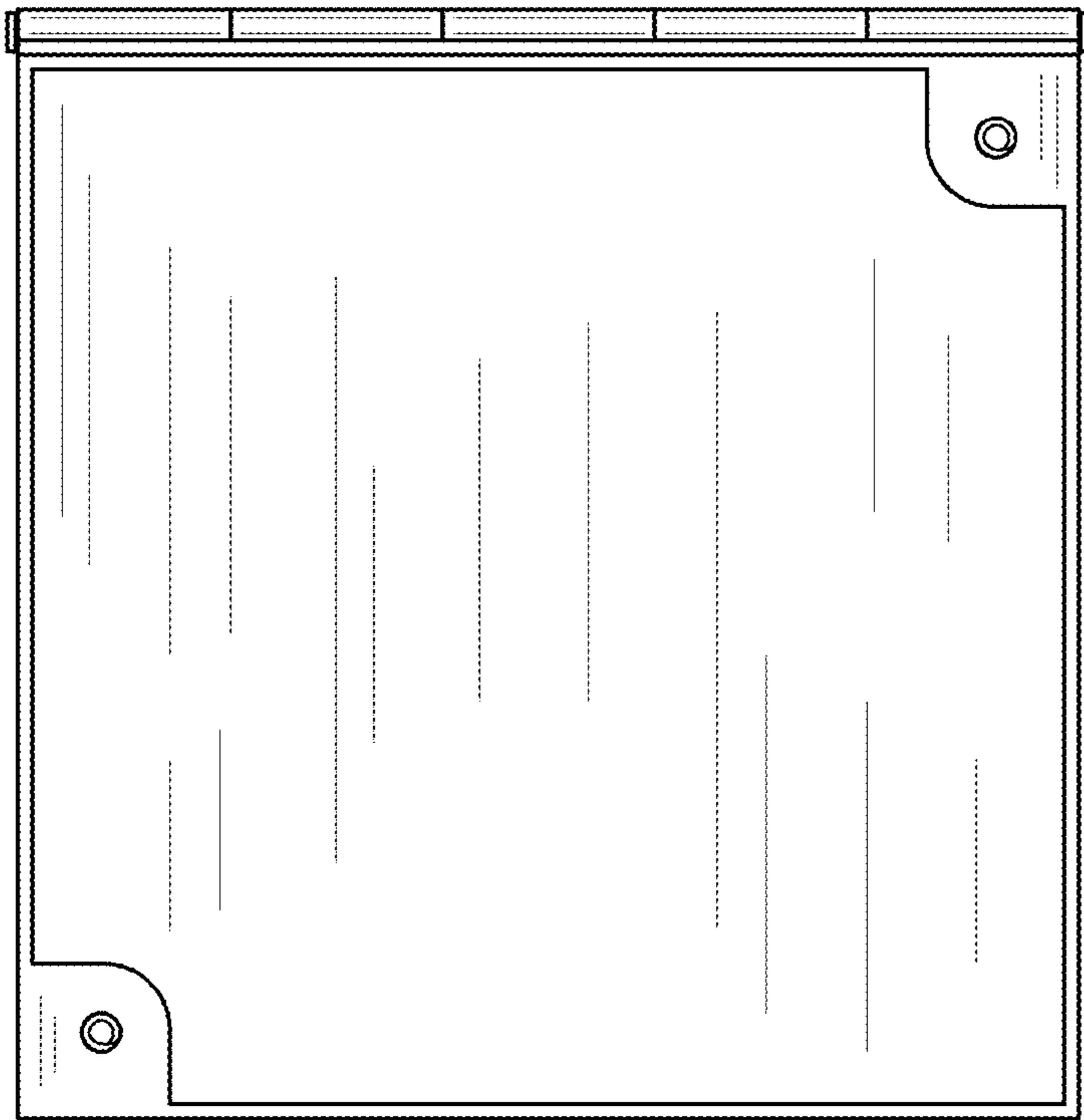


FIG. 4

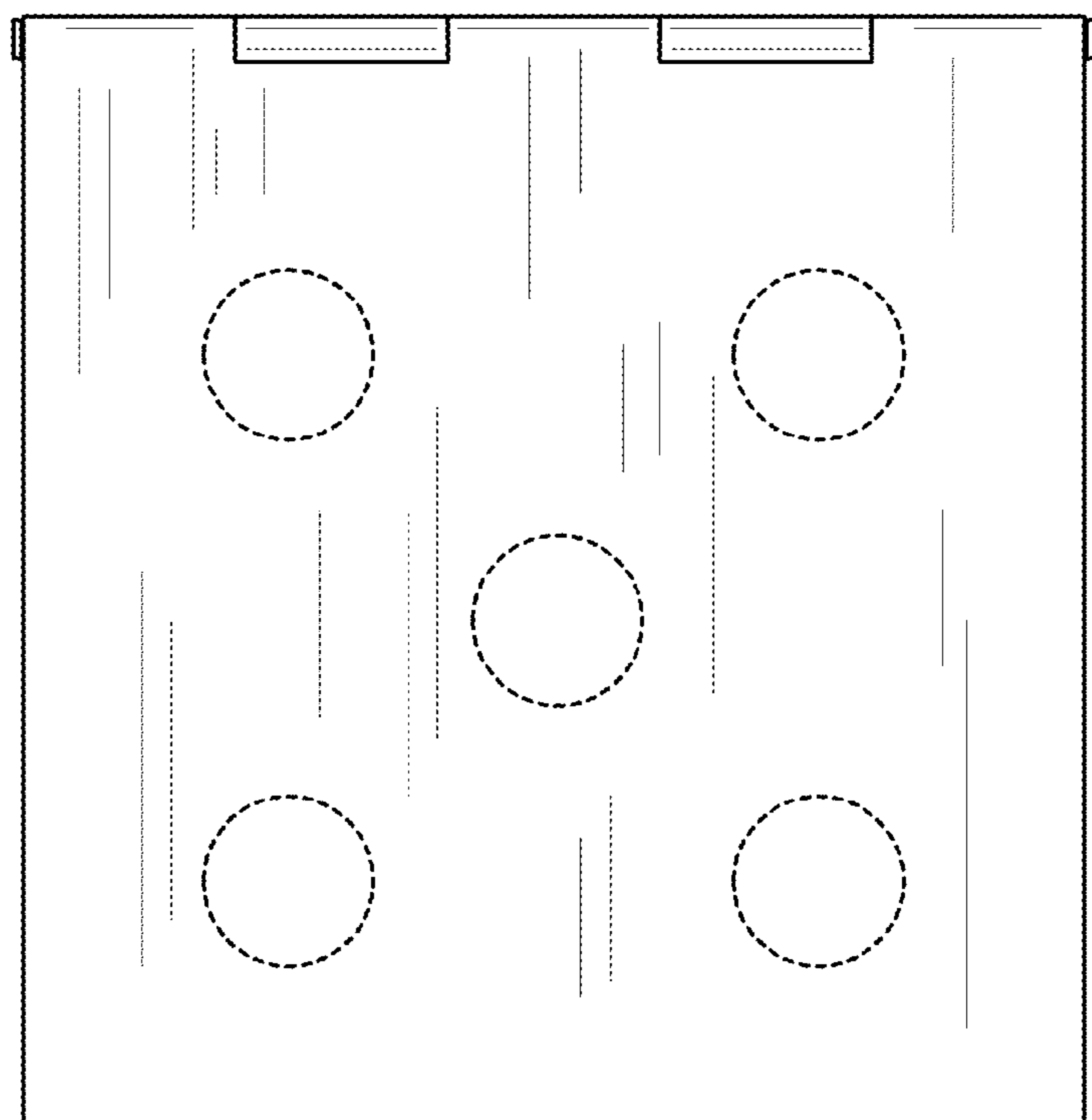


FIG. 5

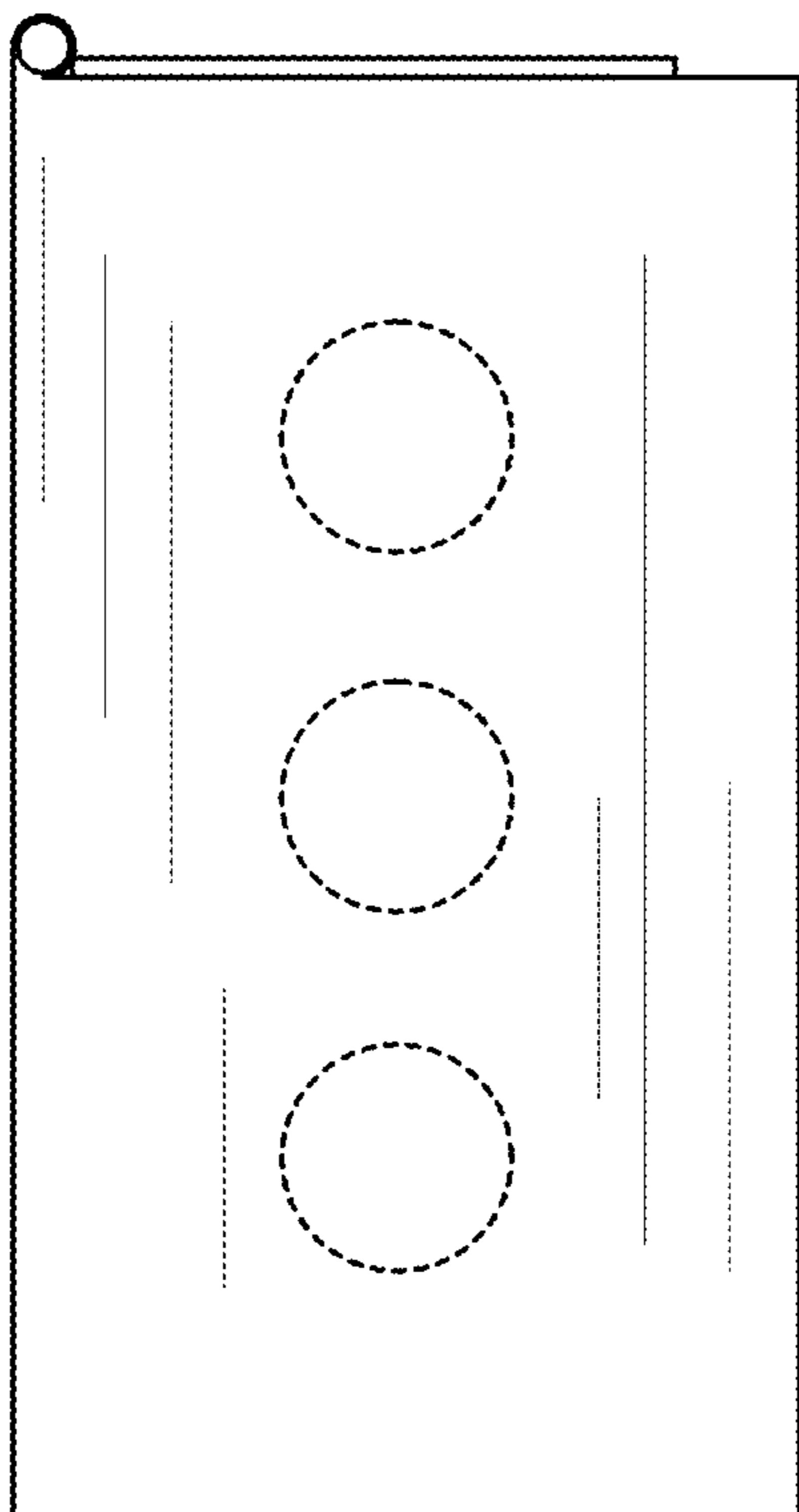


FIG. 6

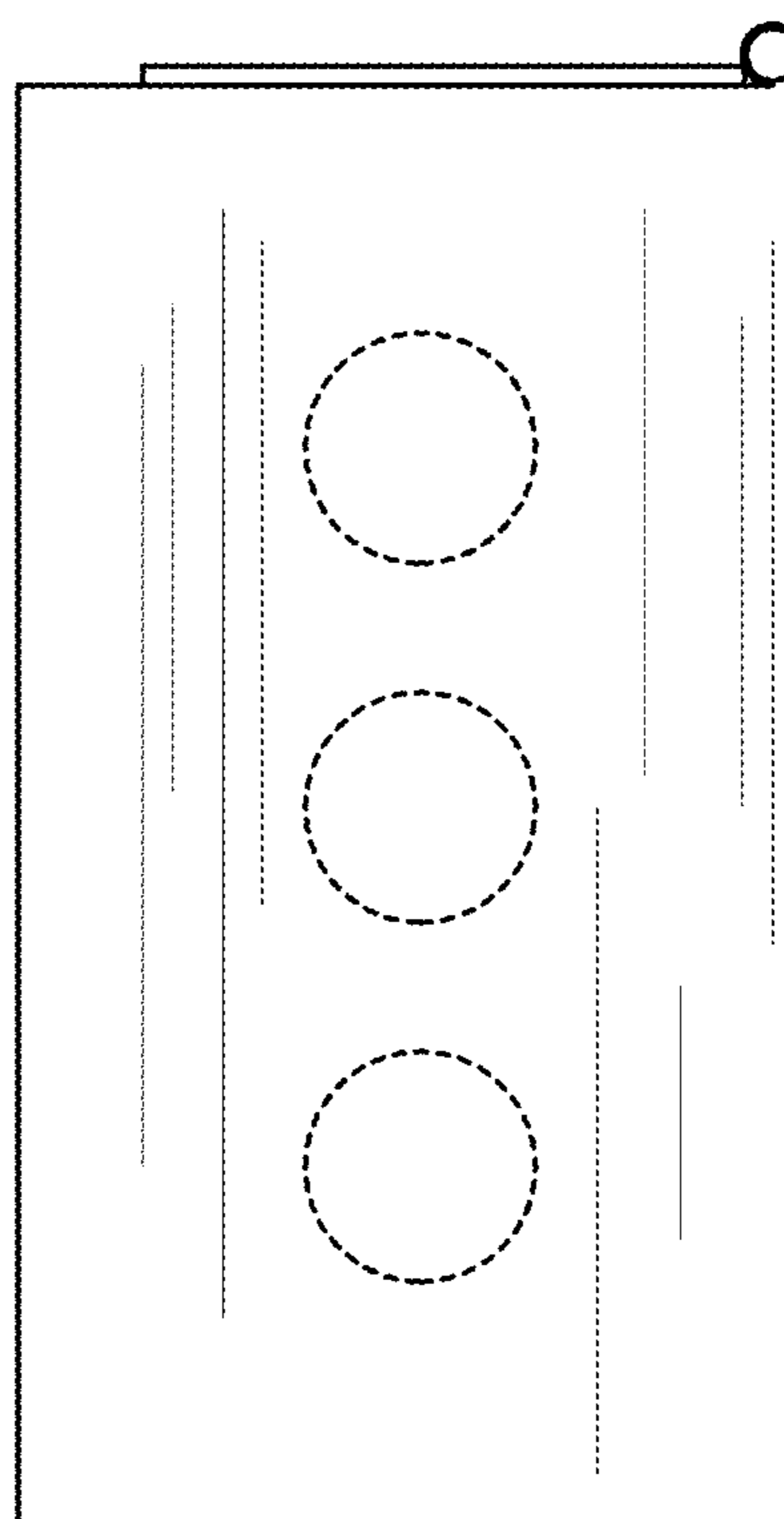


FIG. 7

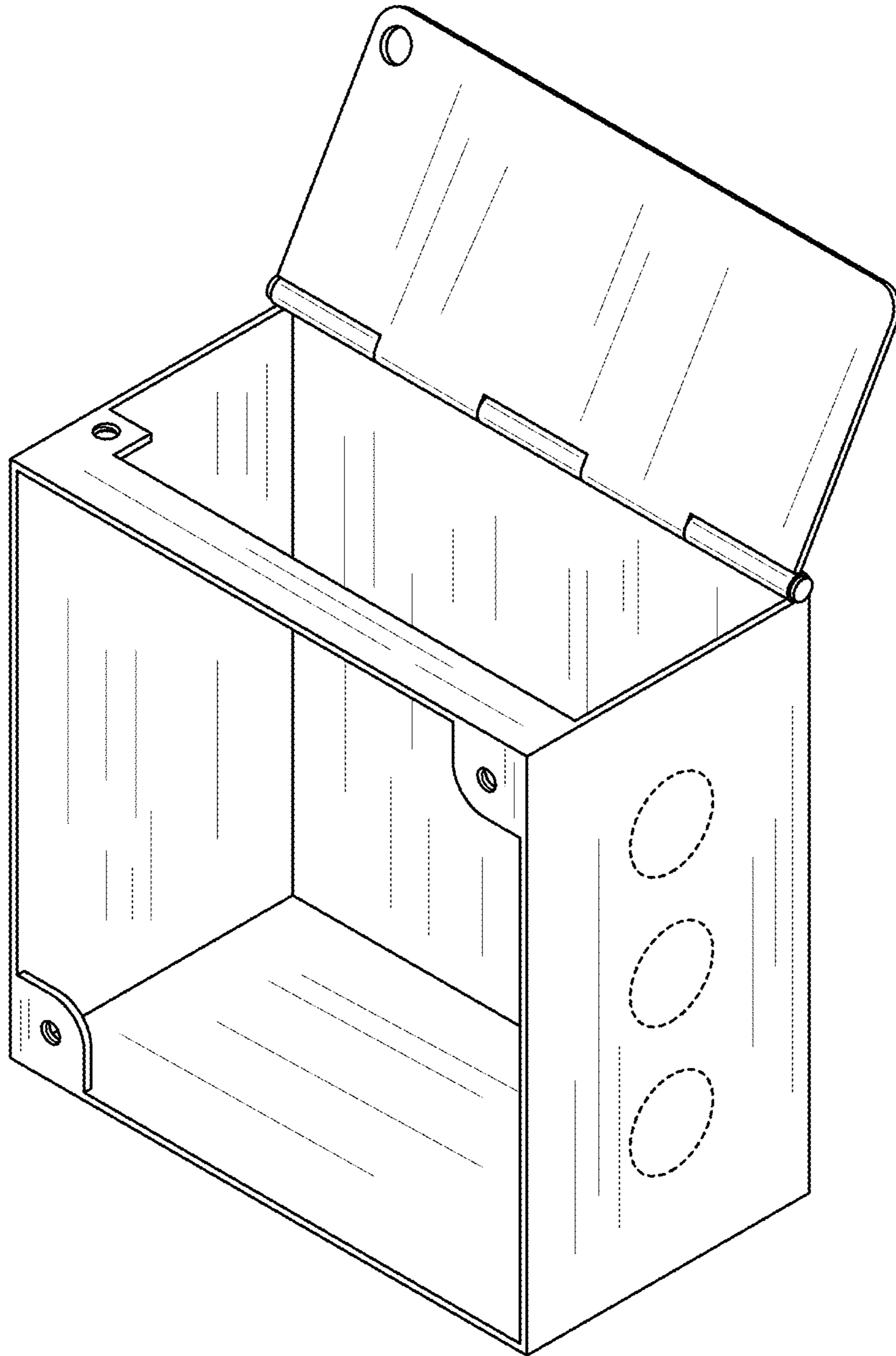


FIG. 8

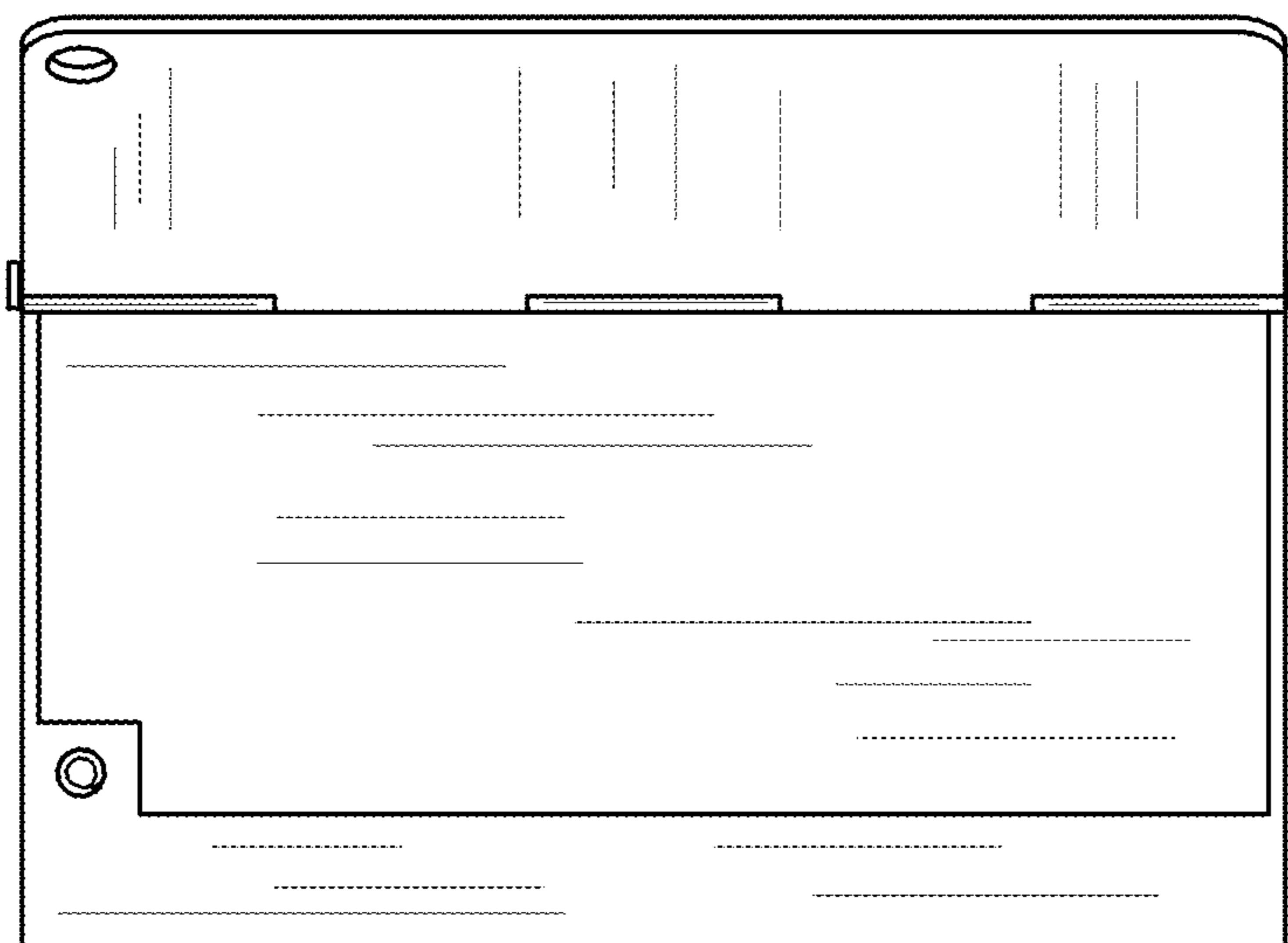


FIG. 9

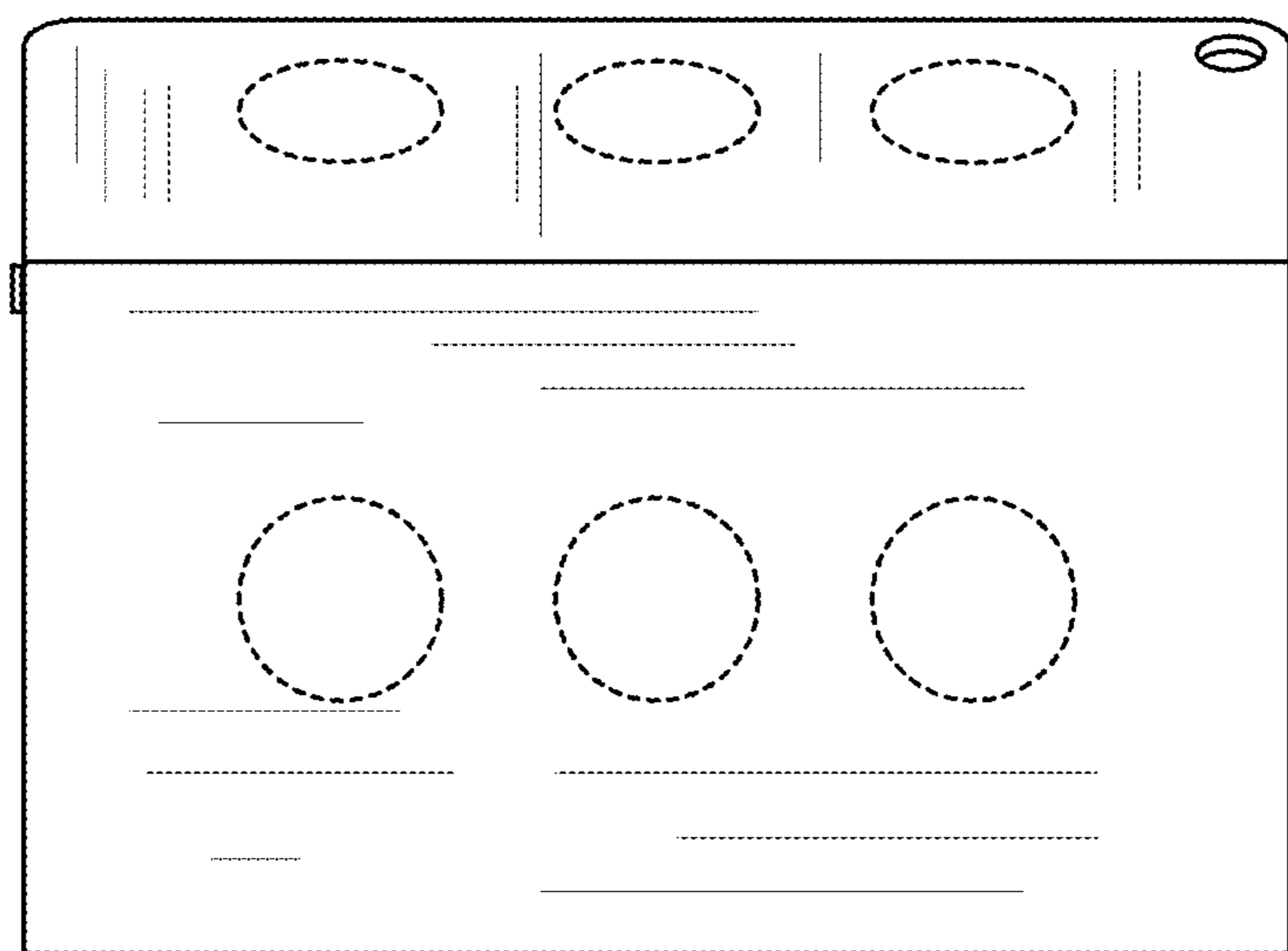


FIG. 10



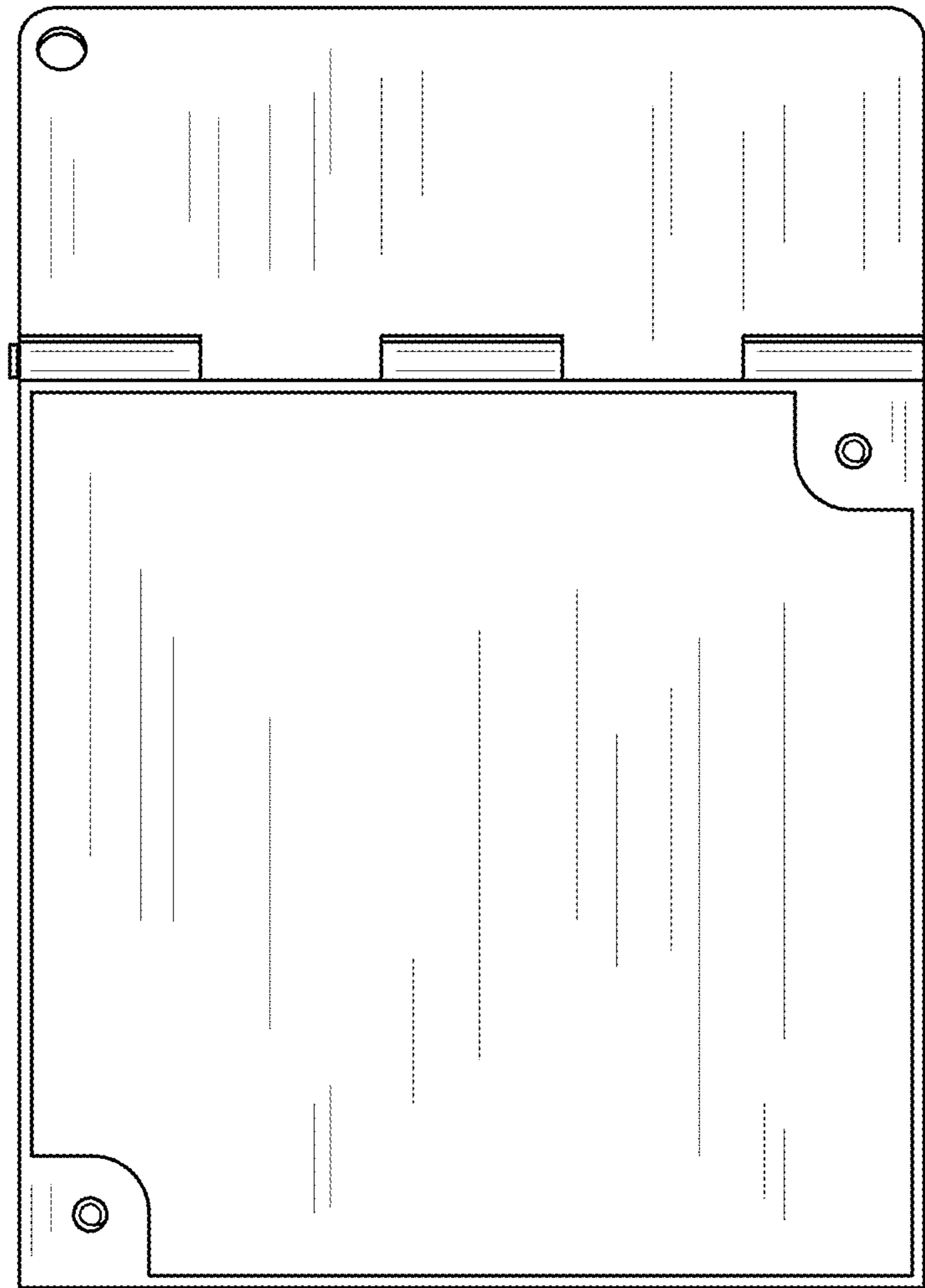


FIG. 11

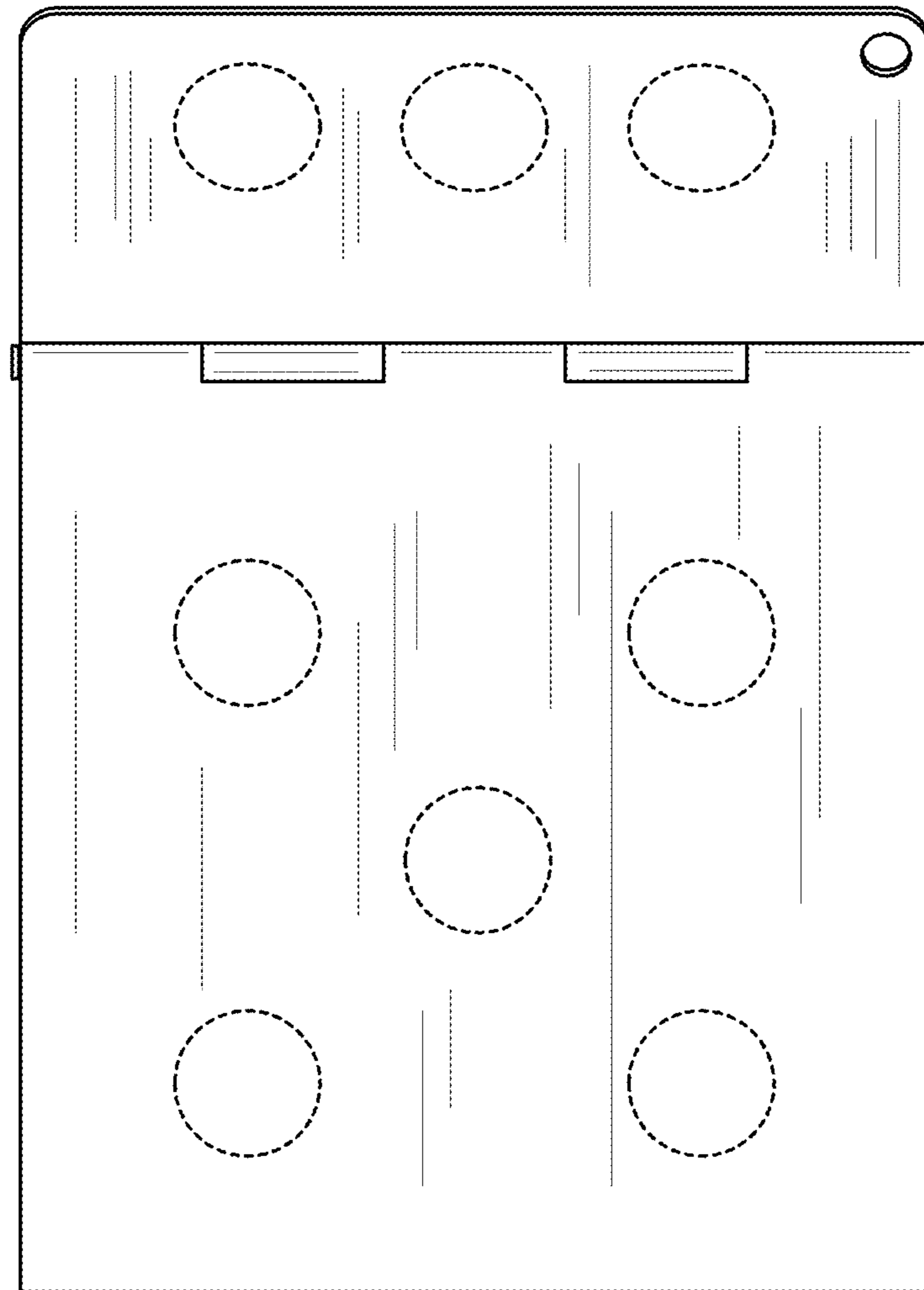
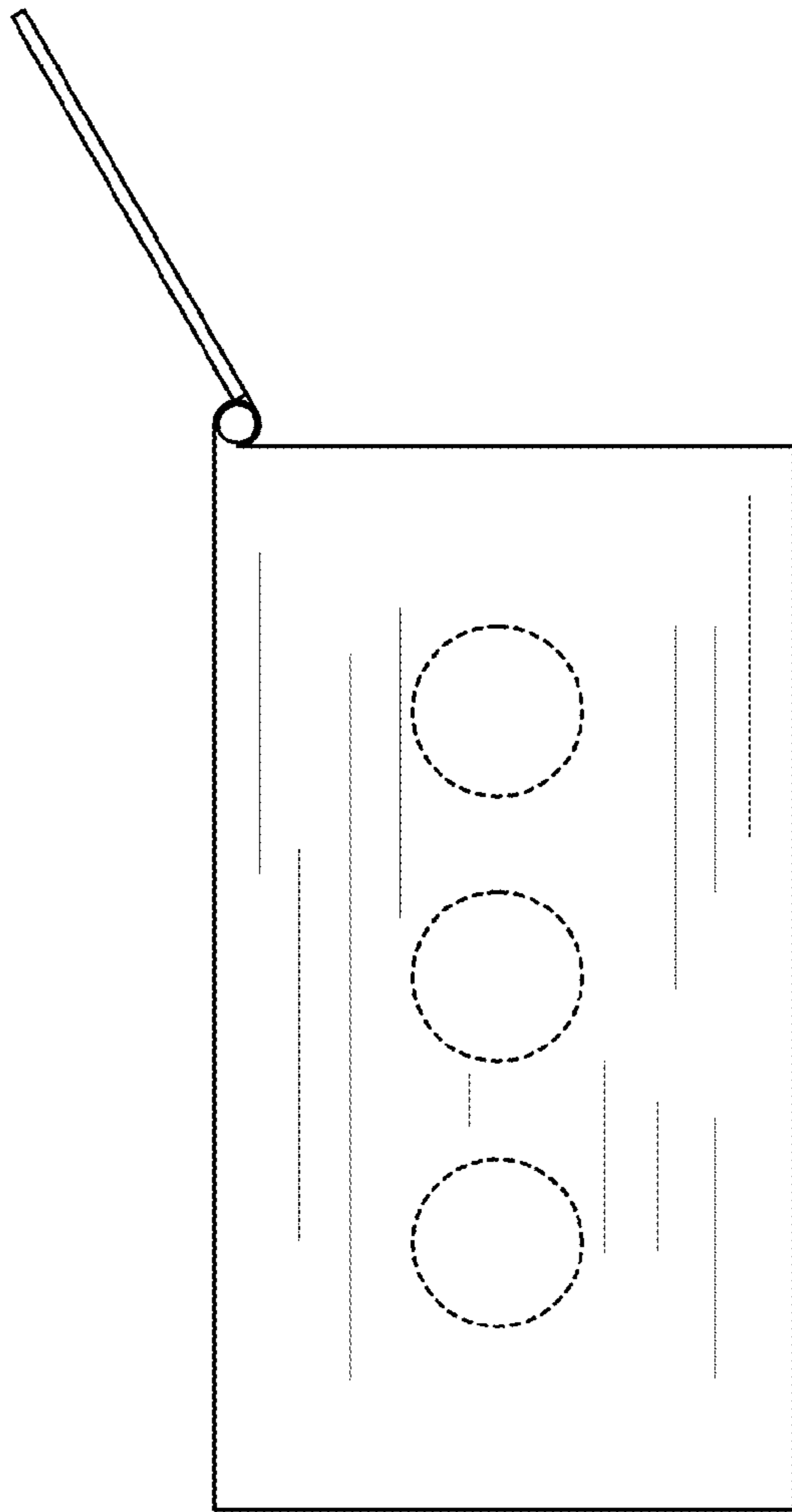
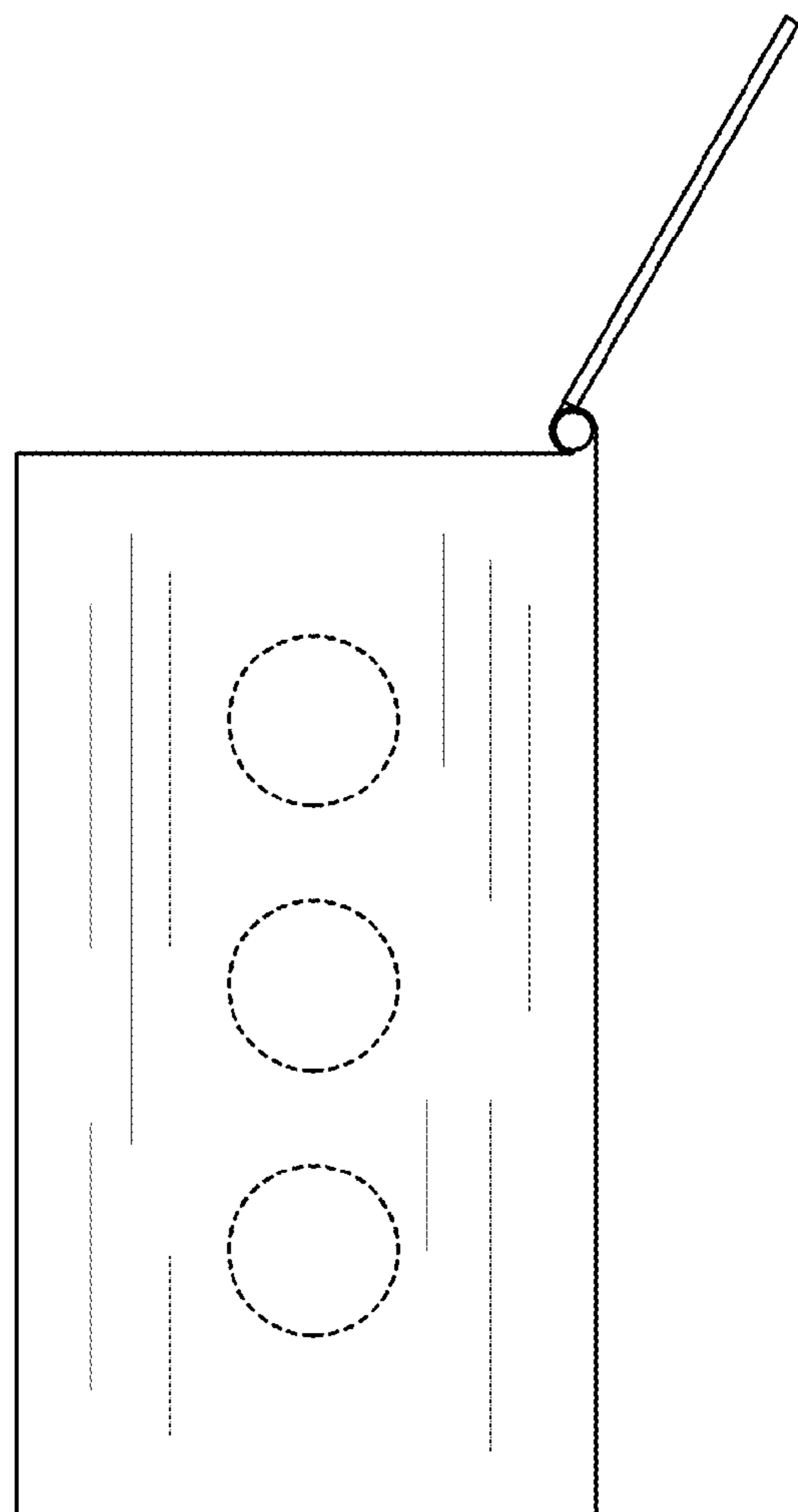


FIG. 12



*FIG. 13*



*FIG. 14*