



US00D871346S

(12) **United States Design Patent**
Deng

(10) **Patent No.:** **US D871,346 S**

(45) **Date of Patent:** **** Dec. 31, 2019**

(54) **EXPLOSION-PROOF JUNCTION BOX**

(71) Applicant: **Jinsheng Deng**, Rancho Dominguez, CA (US)

(72) Inventor: **Jinsheng Deng**, Rancho Dominguez, CA (US)

(73) Assignee: **EVERY INDUSTRY LLC**, Rancho Dominguez, CA (US)

(**) Term: **15 Years**

(21) Appl. No.: **29/655,830**

(22) Filed: **Jul. 8, 2018**

(51) **LOC (12) Cl.** **13-03**

(52) **U.S. Cl.**
USPC **D13/152**

(58) **Field of Classification Search**
USPC D13/110, 112, 118, 123, 133, 152, 154, D13/158–162.1, 169–171, 173, 175, 178, D13/184, 199
CPC F16B 5/10; F16B 21/00; H01H 13/04; H01R 13/11; H01R 13/05; H01R 13/46; H01R 13/52; H01R 13/58; H01R 24/76; H01R 25/00; H02G 3/00; H02G 3/16; H02K 5/02; H02K 5/18; H02S 40/34
See application file for complete search history.

(56) **References Cited**

U.S. PATENT DOCUMENTS

- 607,989 A * 7/1898 Erickson et al. H02G 3/086 220/3.94
- 2,352,913 A * 7/1944 Parker H01R 24/76 174/53
- 2,431,002 A * 11/1947 Vedder H02G 3/10 174/59
- D397,992 S * 9/1998 Shimomura D13/112
- 6,371,775 B1 * 4/2002 Nakatsuka H01R 13/639 439/127
- 7,667,136 B2 * 2/2010 Dinh H02G 1/00 174/50

- D830,300 S * 10/2018 Morel D13/110
- 2007/0062717 A1 * 3/2007 Ytreland H02G 3/121 174/57
- 2015/0101840 A1 * 4/2015 Sathyanarayana H02G 3/08 174/50
- 2015/0249376 A1 * 9/2015 Hiwaki H02K 5/04 310/43
- 2017/0194829 A1 * 7/2017 Sadanaga F16L 59/02
- 2019/0123466 A1 * 4/2019 Matsuoka H01R 13/055

OTHER PUBLICATIONS

Safe-Rain 5 Connection Junction Box in ABS, dated Sep. 4, 2013, [online], [site visited Aug. 12, 2019]. Available from Internet, URL: <http://www.saferain.com/en/fountain-equipment/fountain-accessories/underwater-junction-box/5-connection-junction-box-in-abs.html> (Year: 2013).*

* cited by examiner

Primary Examiner — Angela J Lee
Assistant Examiner — Shawn T Gingrich

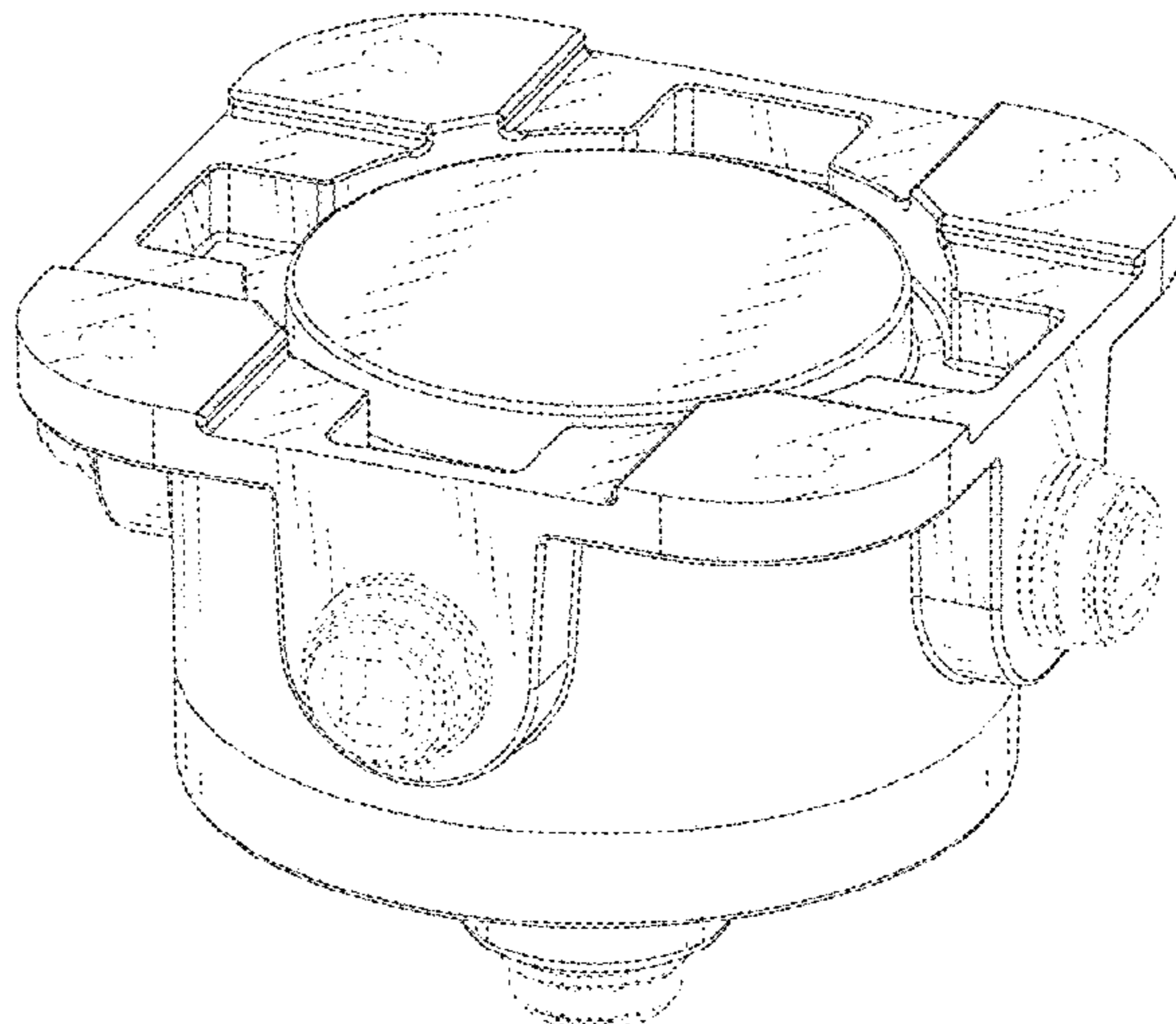
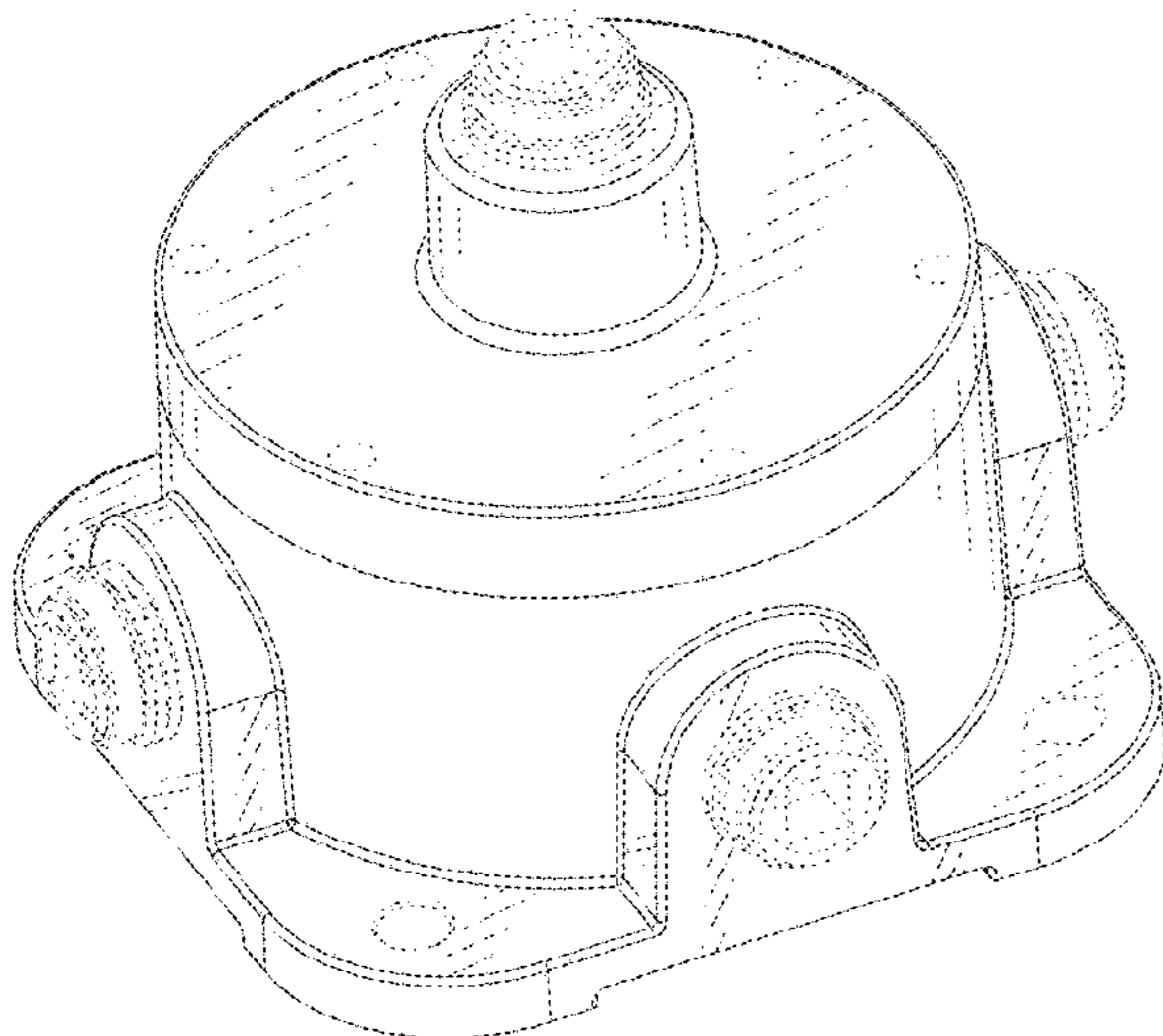
(57) **CLAIM**

The ornamental design for an explosion-proof junction box, as shown and described.

DESCRIPTION

FIG. 1 is a perspective view of an explosion-proof junction box showing my new design; FIG. 2 is a front elevation view thereof; FIG. 3 is a rear elevation view thereof; FIG. 4 is a left side elevation view thereof; FIG. 5 is a right side elevation view thereof; FIG. 6 is a top plan view thereof; FIG. 7 is a bottom plan view thereof; and, FIG. 8 is another perspective view thereof. The broken lines in the drawings illustrate portions of the explosion-proof junction box that forms no part of the claimed design.

1 Claim, 8 Drawing Sheets



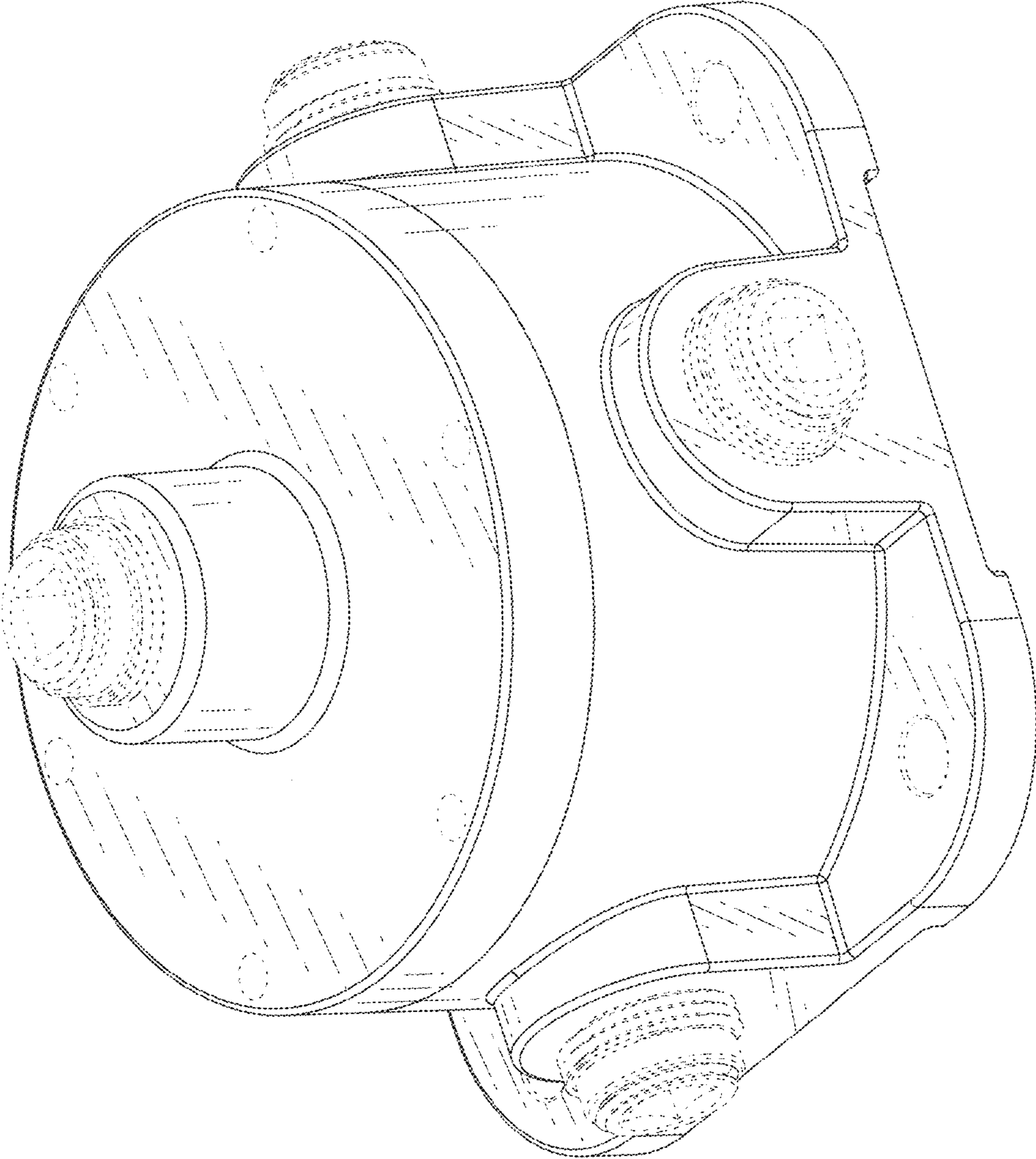


Fig. 1

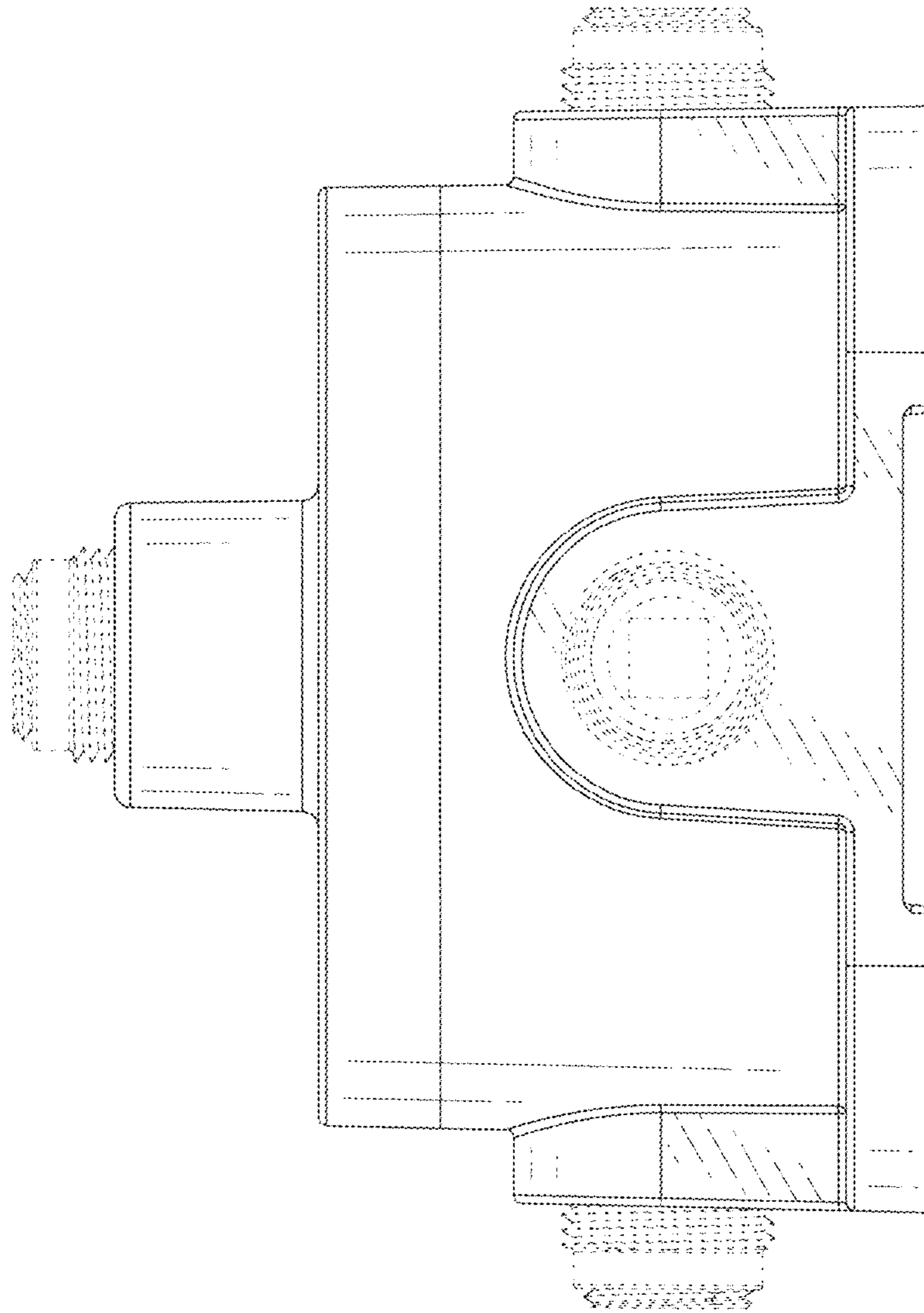


Fig. 2

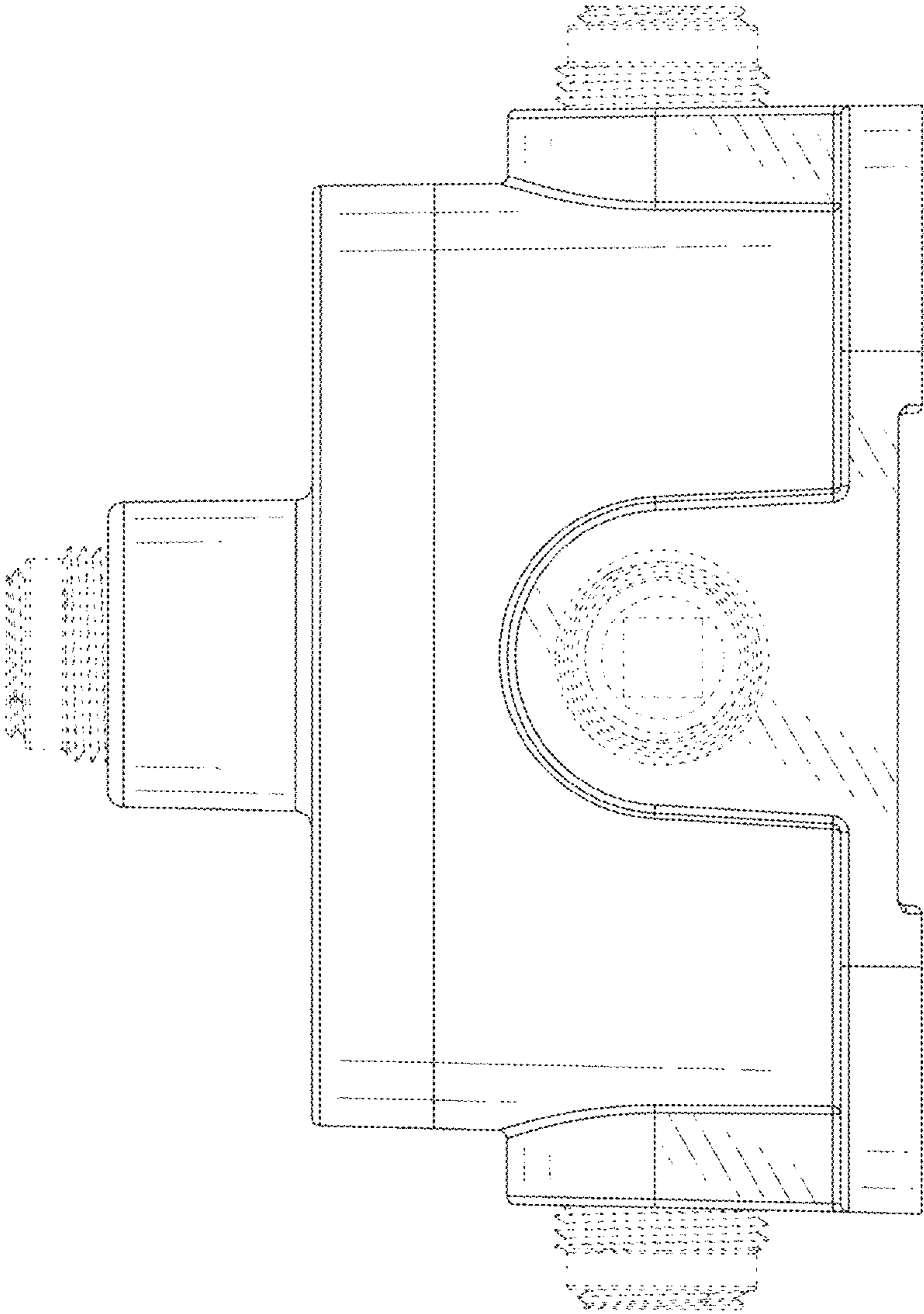


Fig. 3

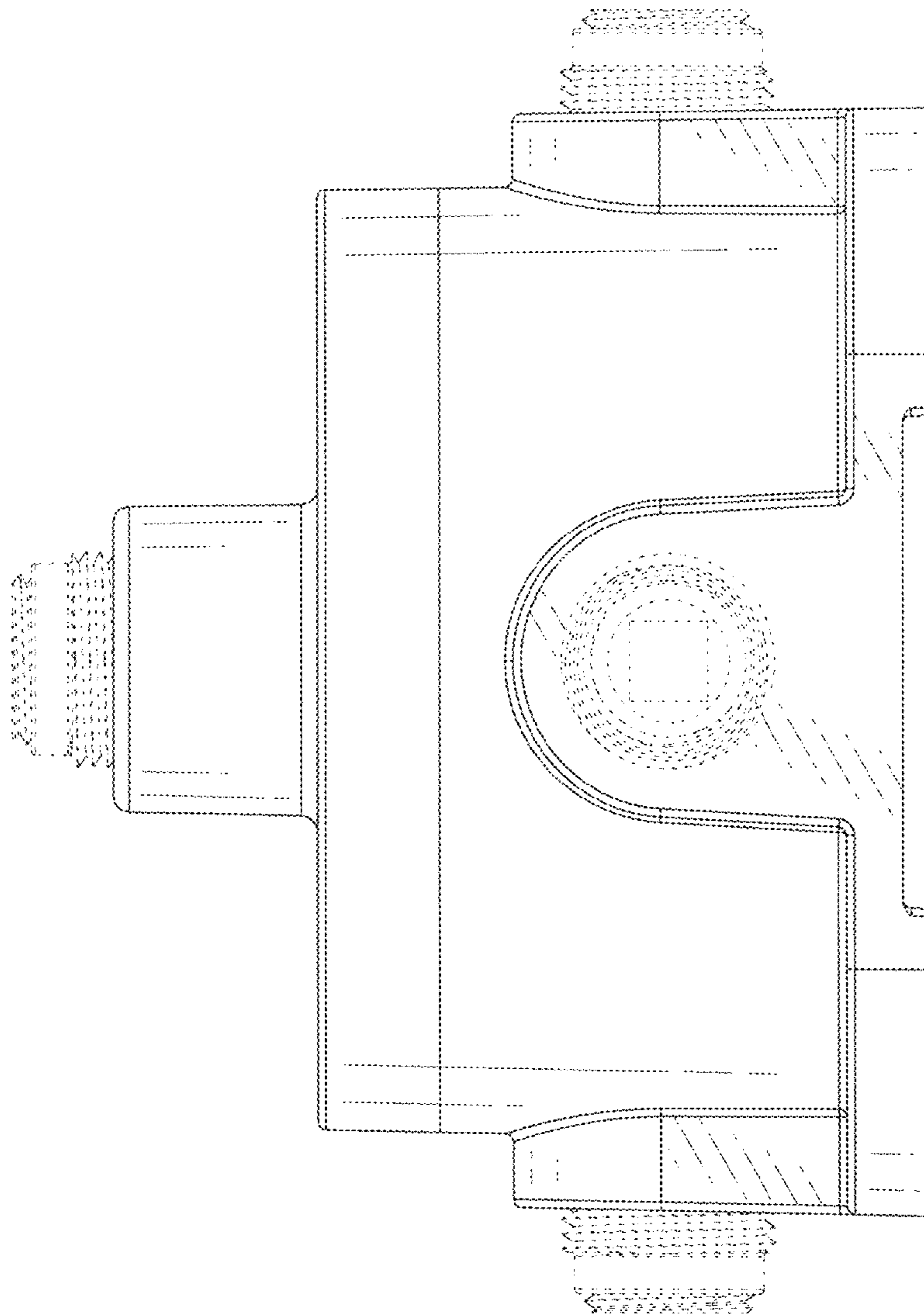


Fig.4

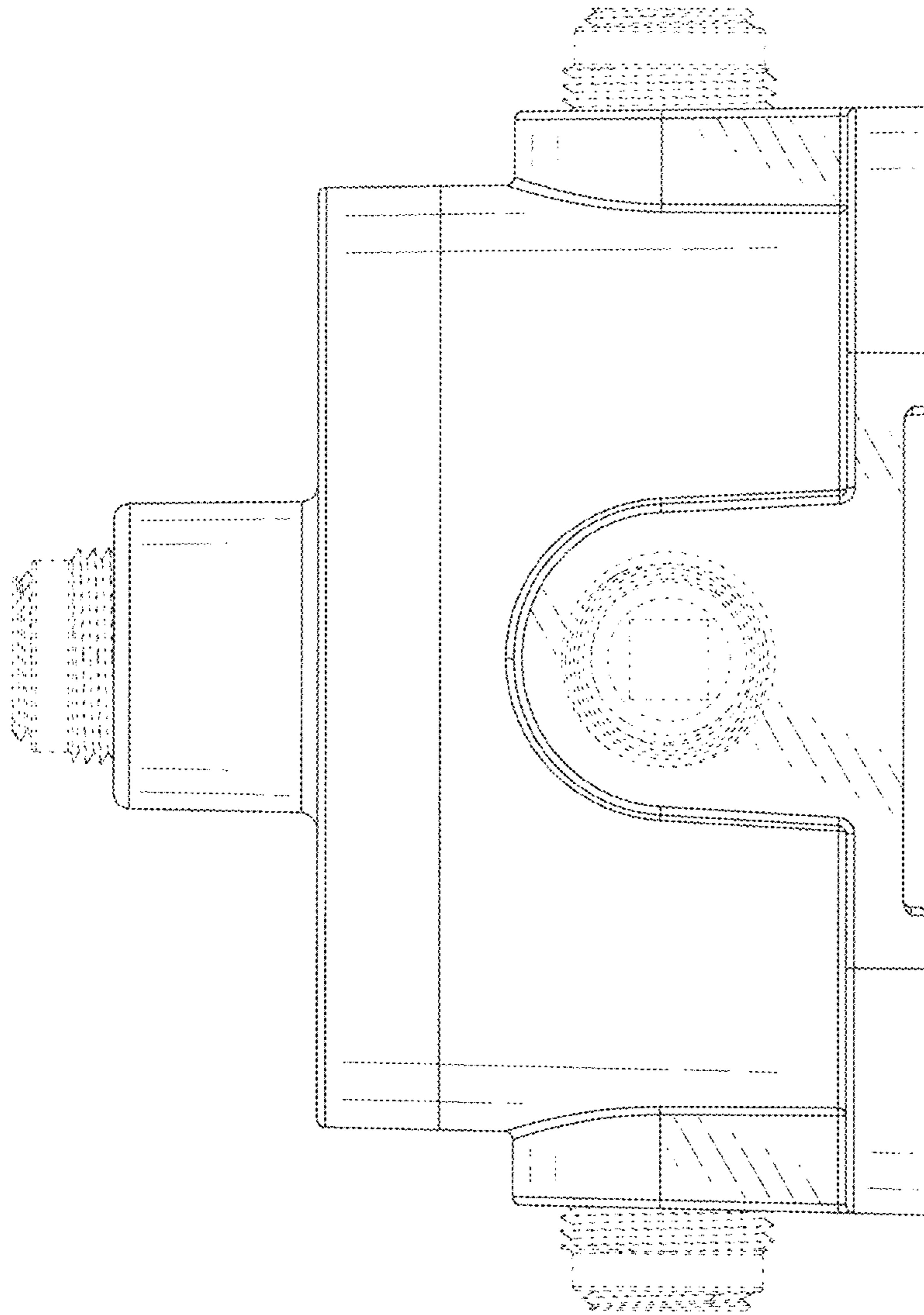


Fig. 5

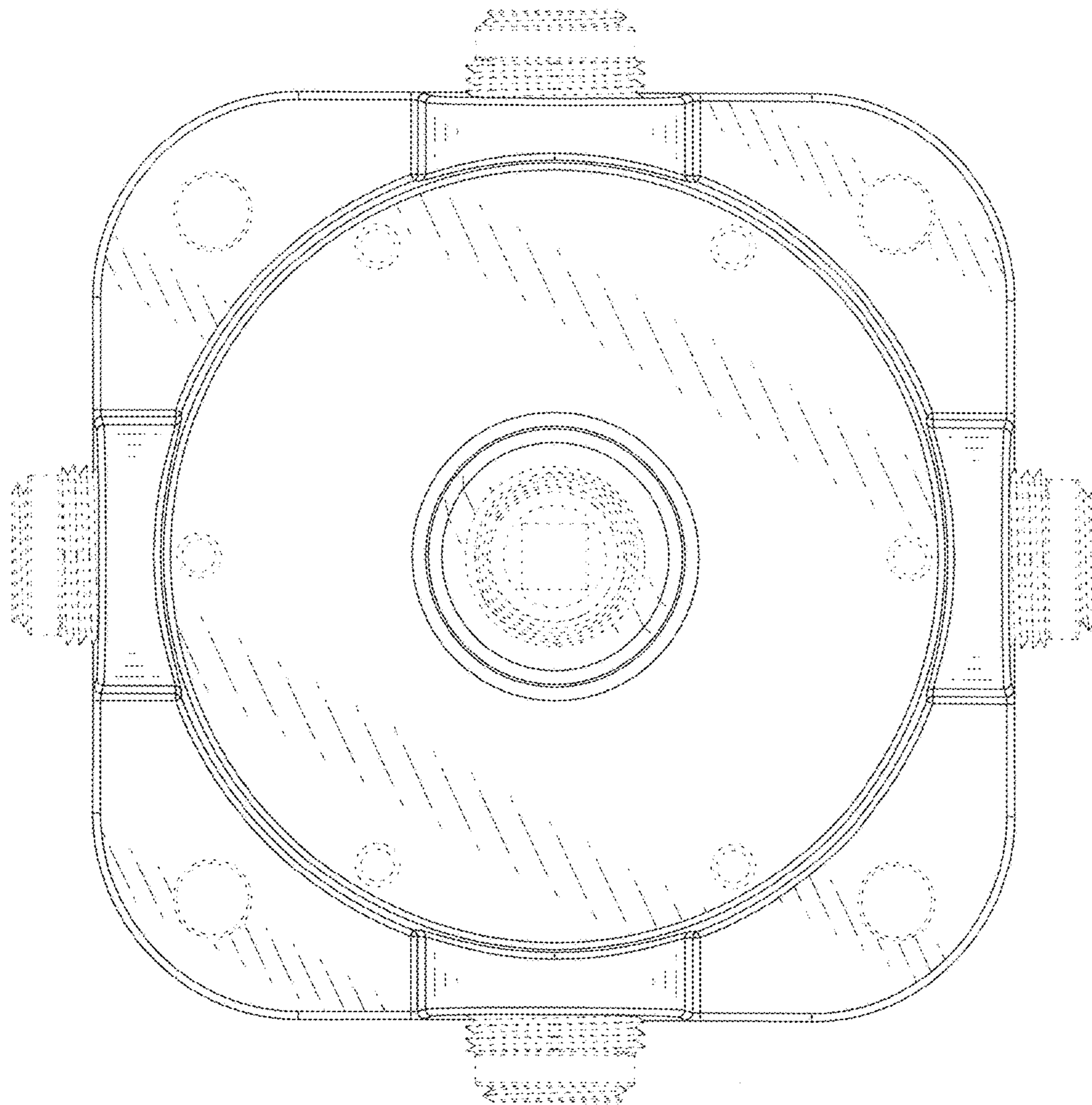


Fig.6

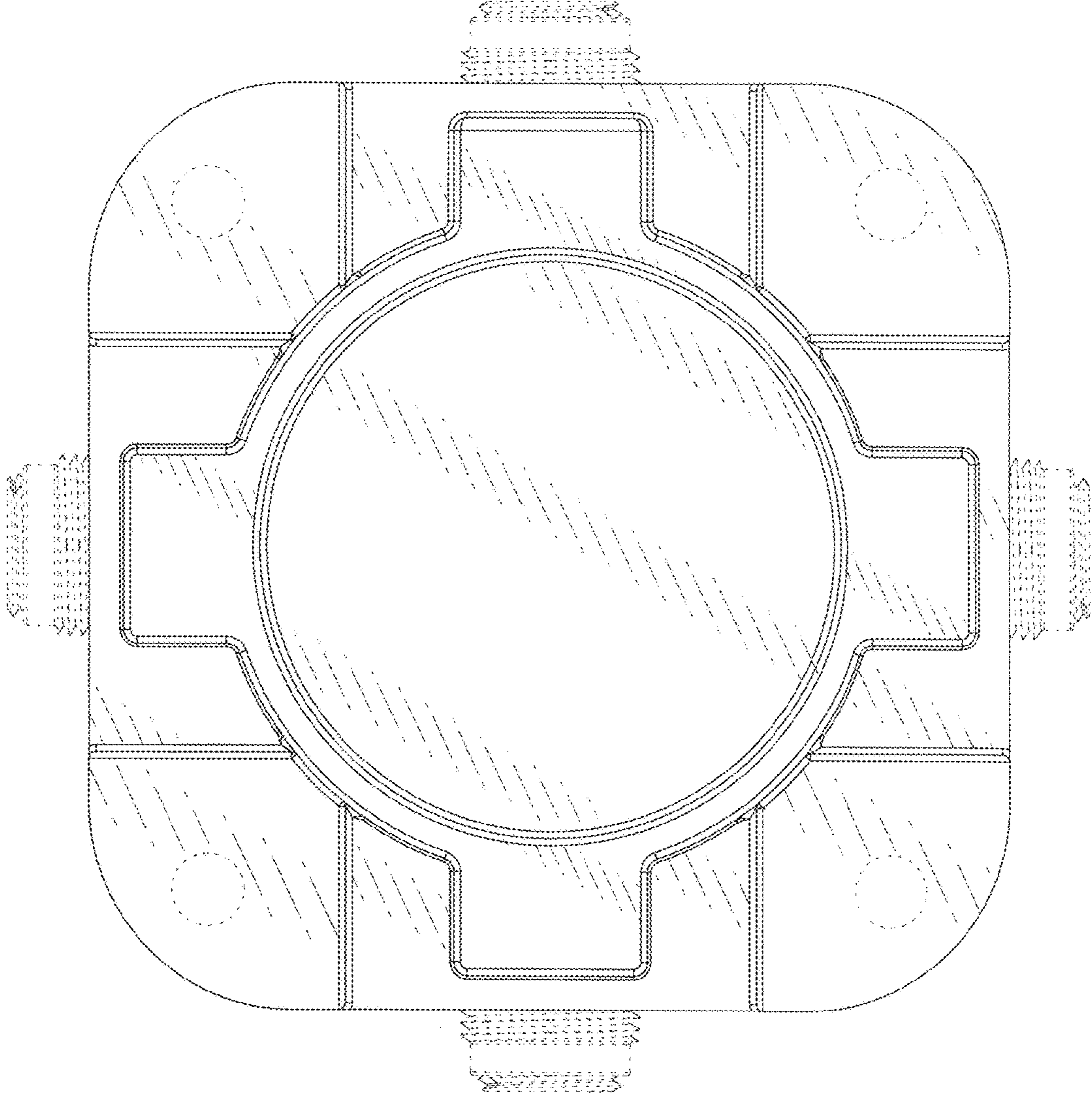


Fig.7

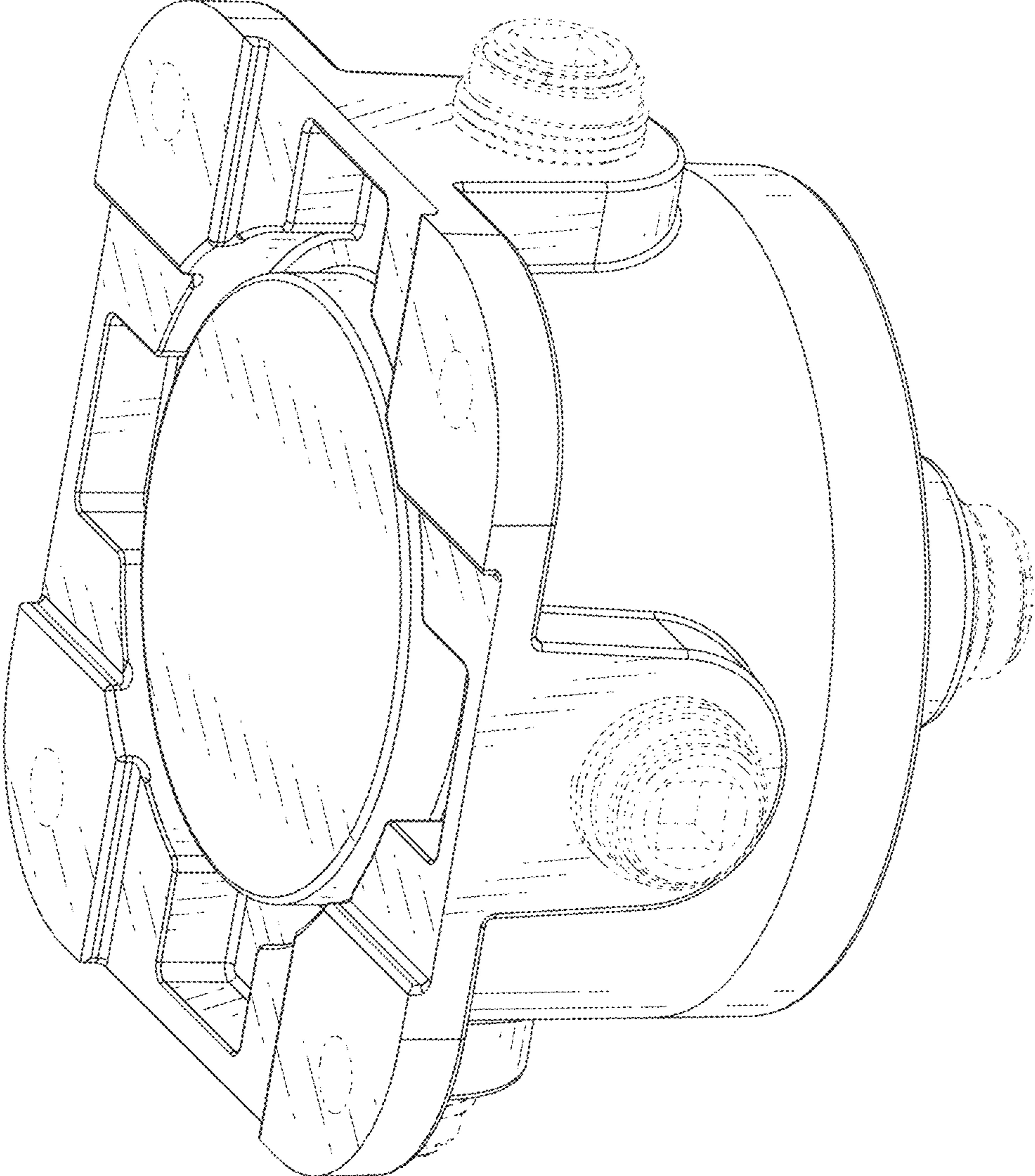


Fig.8