



US00D871345S

(12) **United States Design Patent**
Ashibu et al.

(10) **Patent No.:** **US D871,345 S**

(45) **Date of Patent:** **** Dec. 31, 2019**

(54) **CONNECTOR**

(71) Applicant: **Japan Aviation Electronics Industry, Limited**, Tokyo (JP)

(72) Inventors: **Kenta Ashibu**, Tokyo (JP); **Osamu Hashiguchi**, Tokyo (JP)

(73) Assignee: **JAPAN AVIATION ELECTRONICS INDUSTRY, LIMITED**, Tokyo (JP)

(**) Term: **15 Years**

(21) Appl. No.: **29/666,286**

(22) Filed: **Oct. 11, 2018**

(30) **Foreign Application Priority Data**

Apr. 23, 2018 (JP) 2018-008837

(51) **LOC (12) Cl.** **13-03**

(52) **U.S. Cl.**
USPC **D13/147**

(58) **Field of Classification Search**
USPC D13/110, 112, 118, 123, 133, 146–149,
D13/154–156, 173, 184, 199
CPC H01R 12/00; H01R 12/71; H01R 12/73;
H01R 13/64; H01R 13/6471; H01R
13/648; H01R 13/6585; H01R 31/06
See application file for complete search history.

(56) **References Cited**

U.S. PATENT DOCUMENTS

- 6,293,810 B1 * 9/2001 Goodwin H05K 7/1061
439/71
- D540,258 S * 4/2007 Peng D13/147
- D541,748 S * 5/2007 Peng D13/147
- D611,908 S * 3/2010 Takada D13/147
- D713,346 S * 9/2014 Buck D13/147
- 9,543,703 B2 * 1/2017 Horchler H01R 13/64
- 9,837,737 B1 * 12/2017 Huang H01R 12/7076

- 2007/0190825 A1 * 8/2007 Shuey H01R 13/6471
439/108
- 2010/0330844 A1 * 12/2010 Ito H01R 12/716
439/660
- 2013/0178107 A1 * 7/2013 Costello H01R 13/6585
439/628
- 2016/0056557 A1 * 2/2016 Chen H01R 12/716
439/660
- 2016/0064843 A1 * 3/2016 Hasegawa H01R 12/73
439/65
- 2019/0089097 A1 * 3/2019 Cho H01R 13/6471

* cited by examiner

Primary Examiner — Angela J Lee

Assistant Examiner — Shawn T Gingrich

(74) *Attorney, Agent, or Firm* — Manabu Kanesaka

(57) **CLAIM**

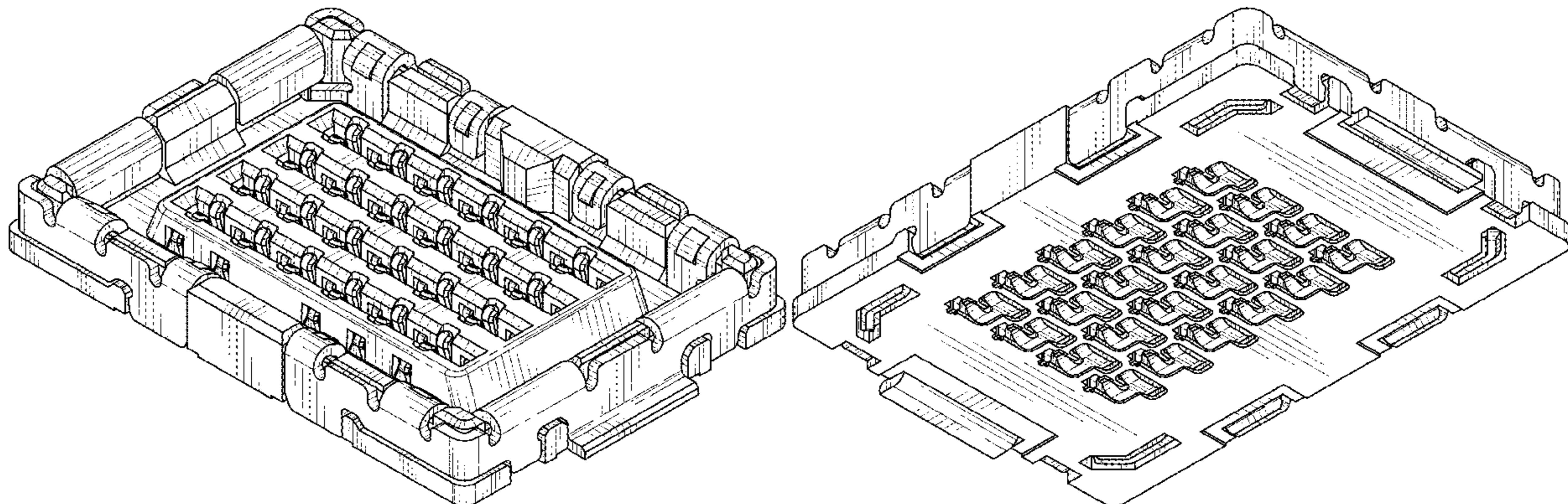
The ornamental design for a connector, as shown and described.

DESCRIPTION

FIG. 1 is a front elevational view of a connector showing our new design;
 FIG. 2 is a rear elevational view thereof;
 FIG. 3 is a right side elevational view thereof;
 FIG. 4 is a left side elevational view thereof;
 FIG. 5 is a top plan view thereof;
 FIG. 6 is a bottom plan view thereof;
 FIG. 7 is a perspective view showing a front, top and right side thereof;
 FIG. 8 is a perspective view showing a rear, bottom and left side thereof;
 FIG. 9 is a perspective view showing a front, right and bottom side thereof; and,
 FIG. 10 is a perspective view showing a rear, left and top side thereof.

The broken line showing of the connector is for the purpose of illustrating portions of the article and forms no part of the claimed design.

1 Claim, 5 Drawing Sheets



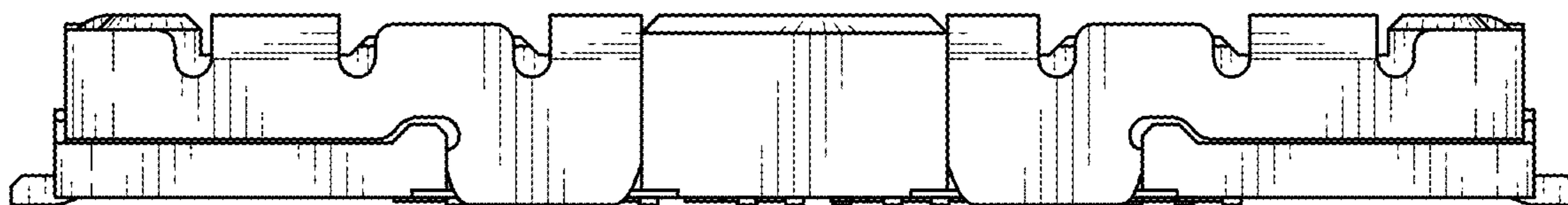


FIG. 1

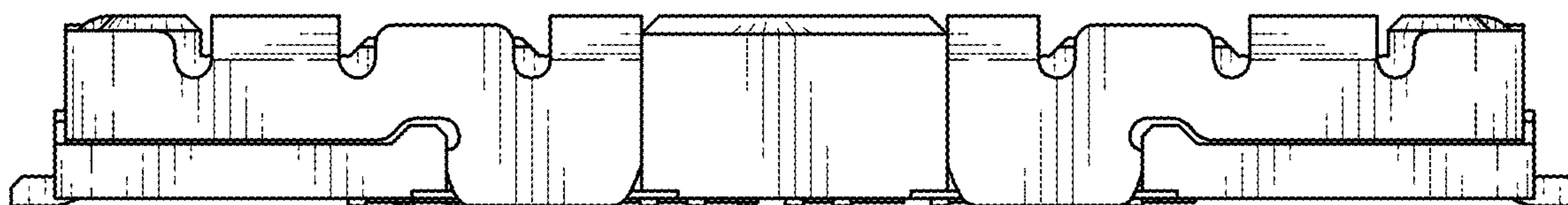


FIG. 2

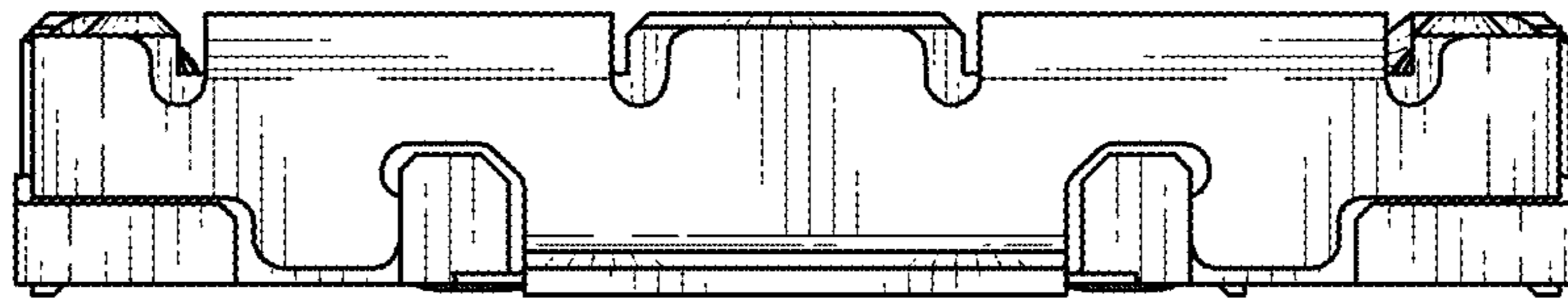


FIG. 3

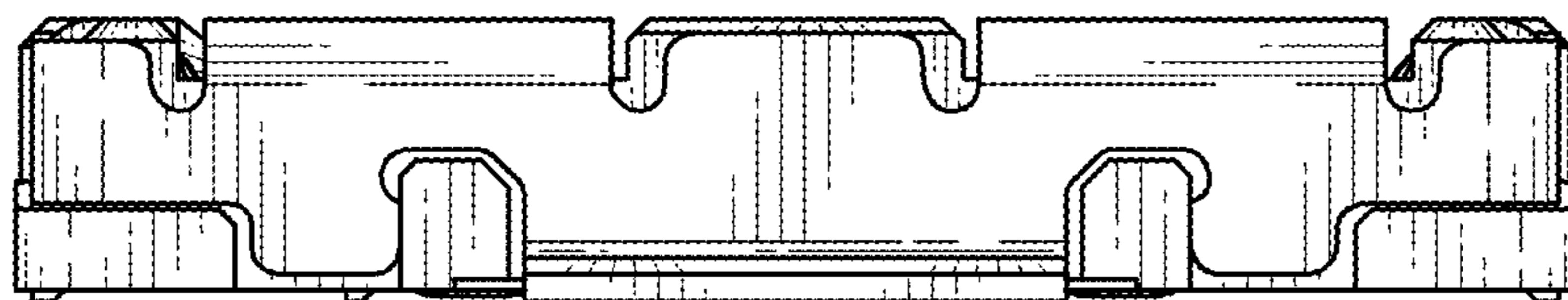


FIG. 4

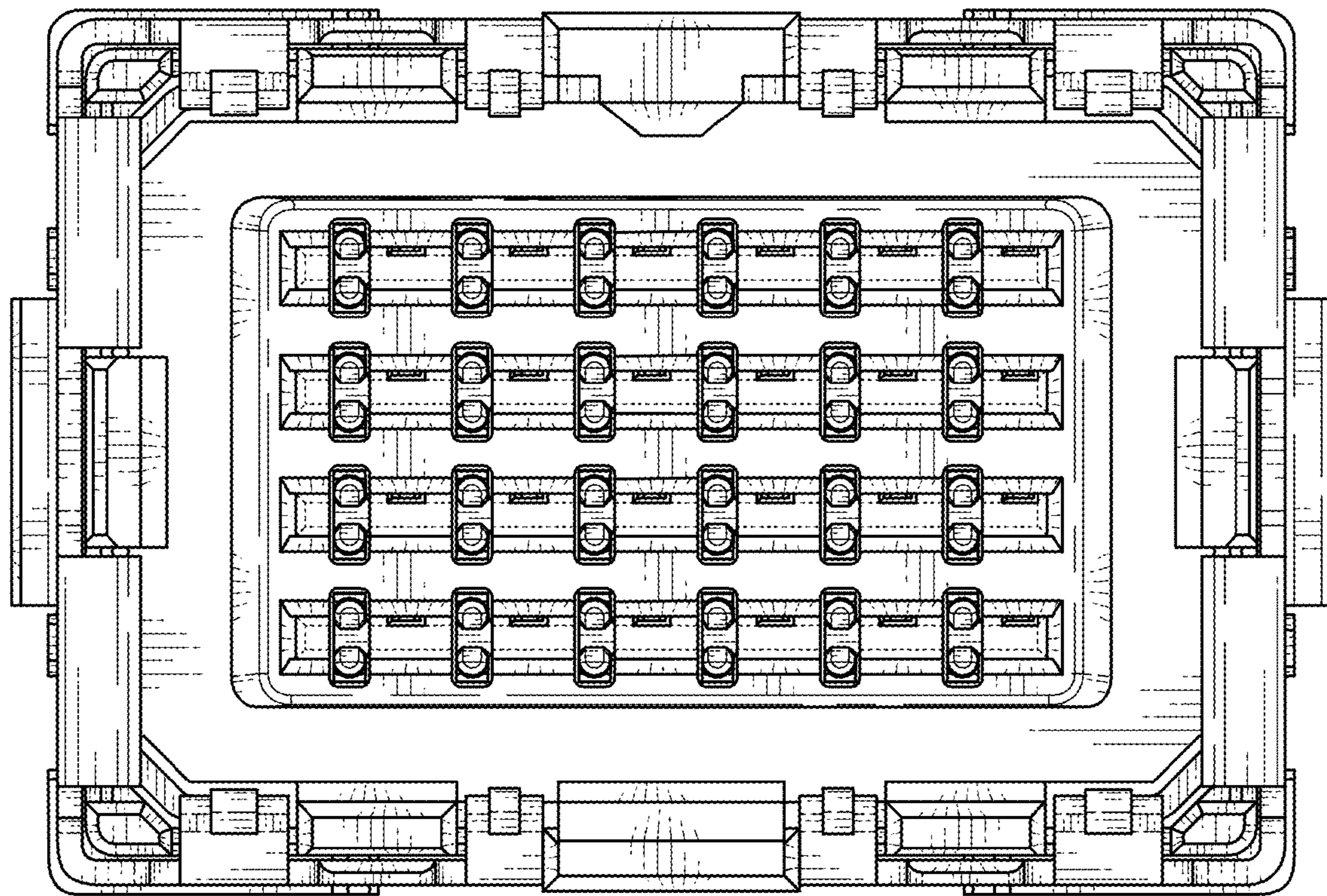


FIG. 5

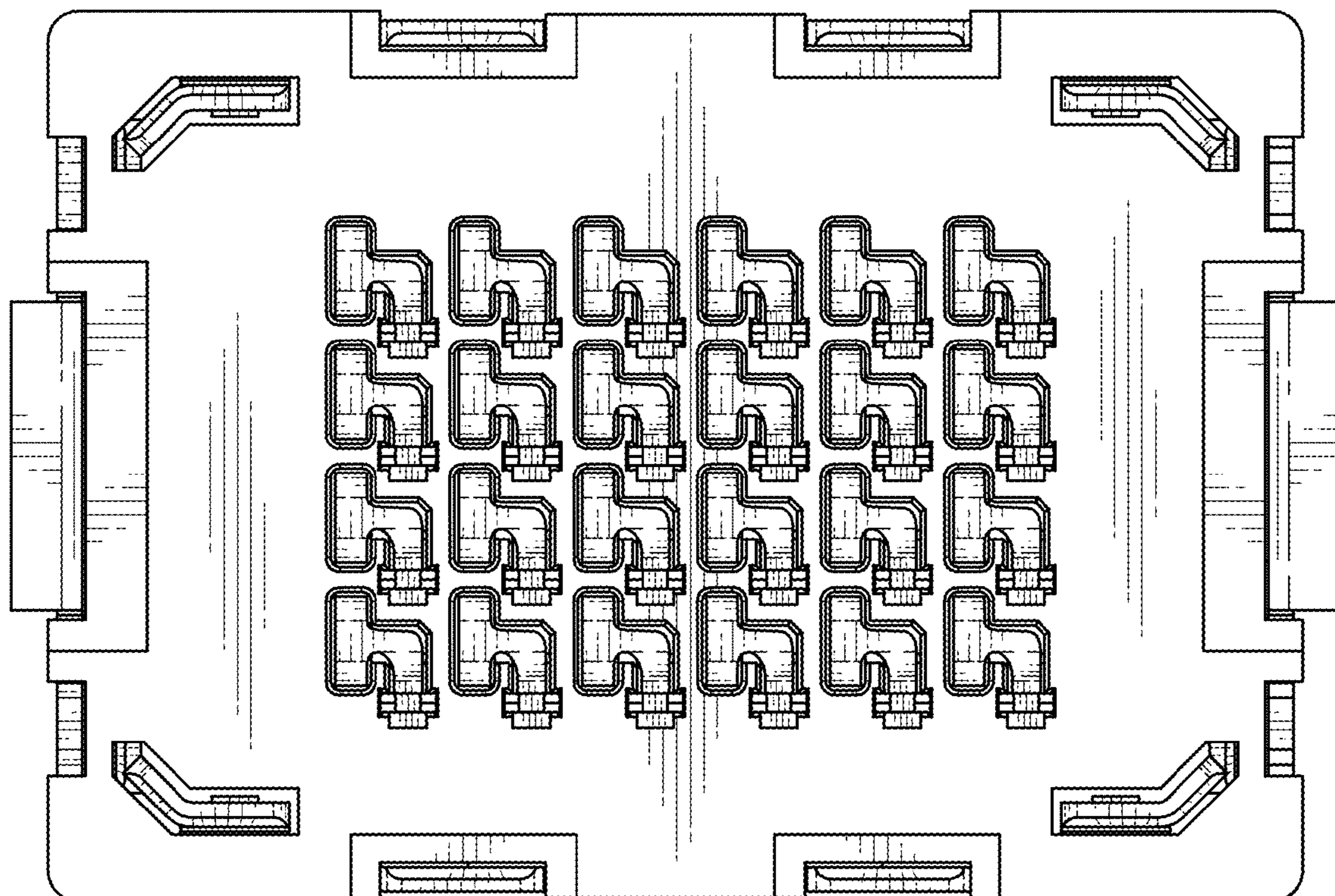


FIG. 6

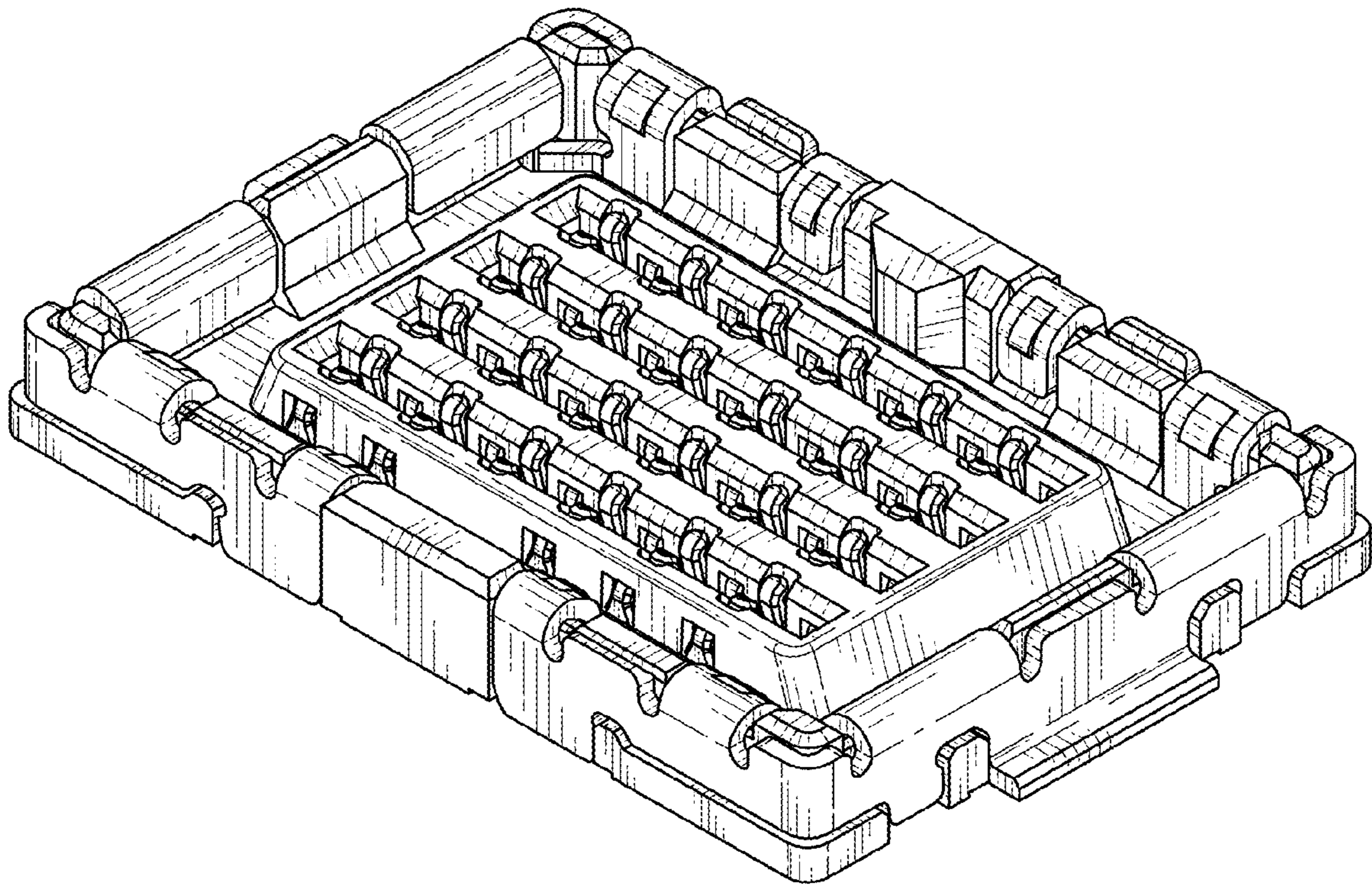


FIG. 7

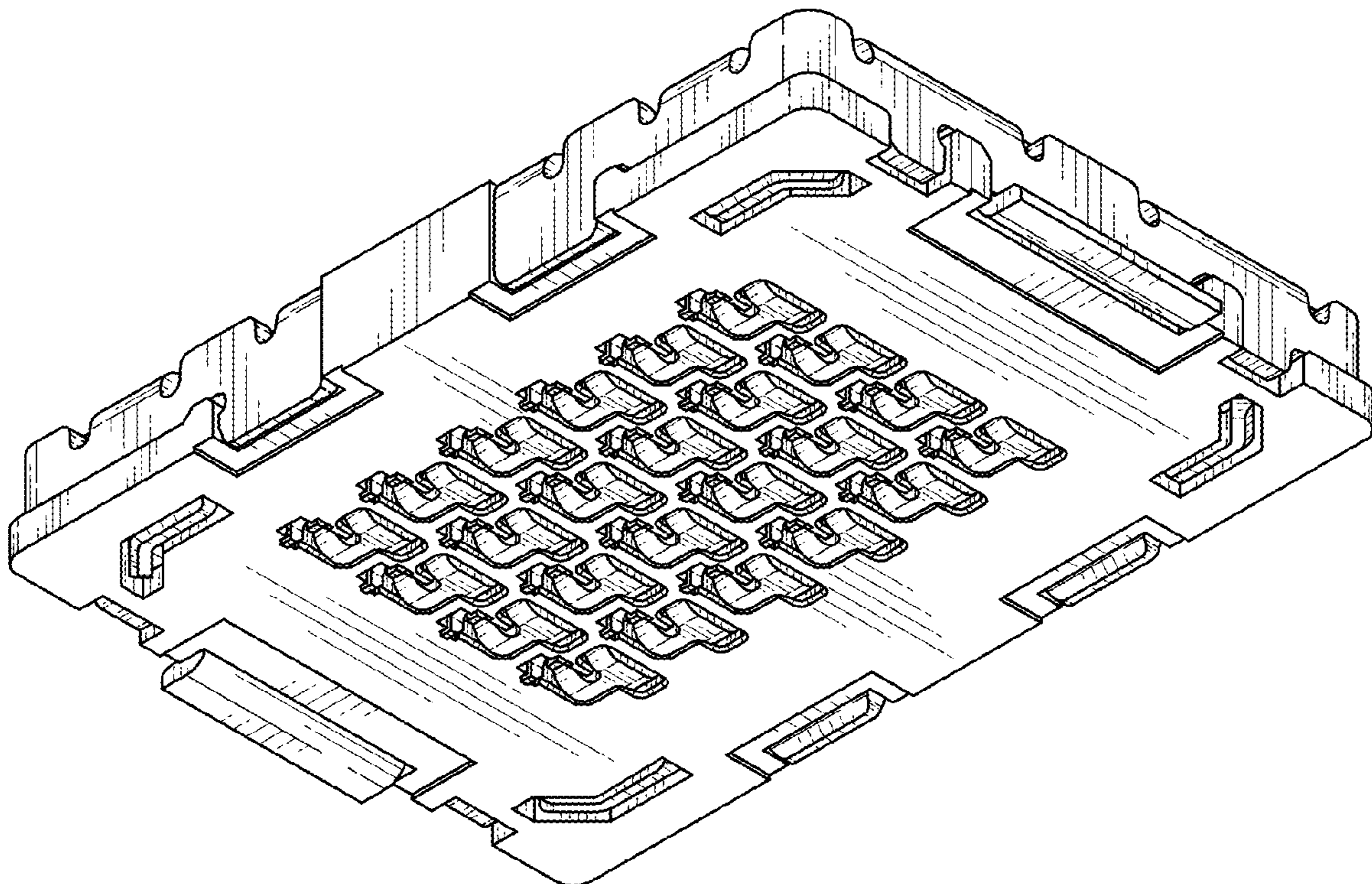


FIG. 8

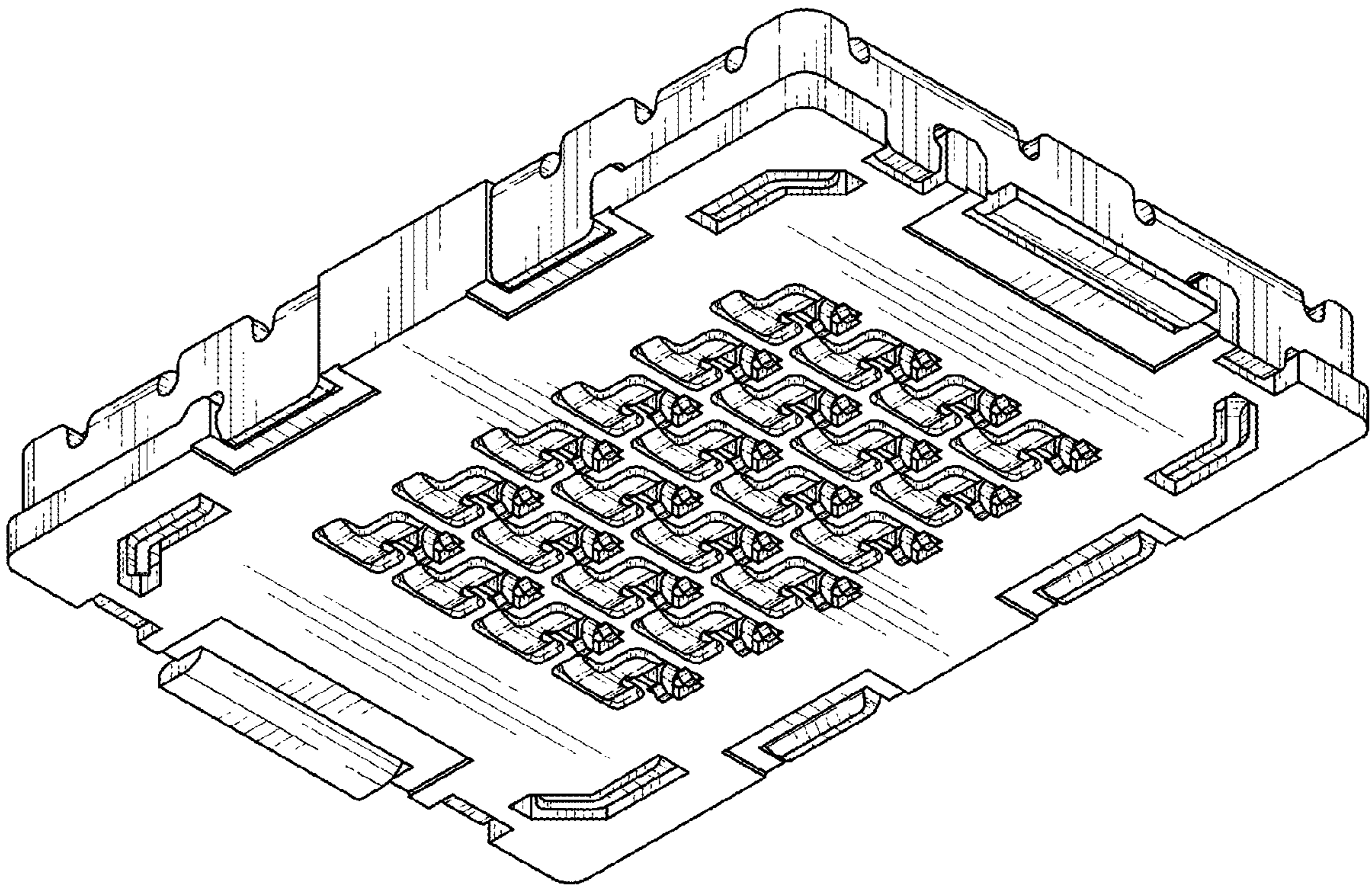


FIG. 9

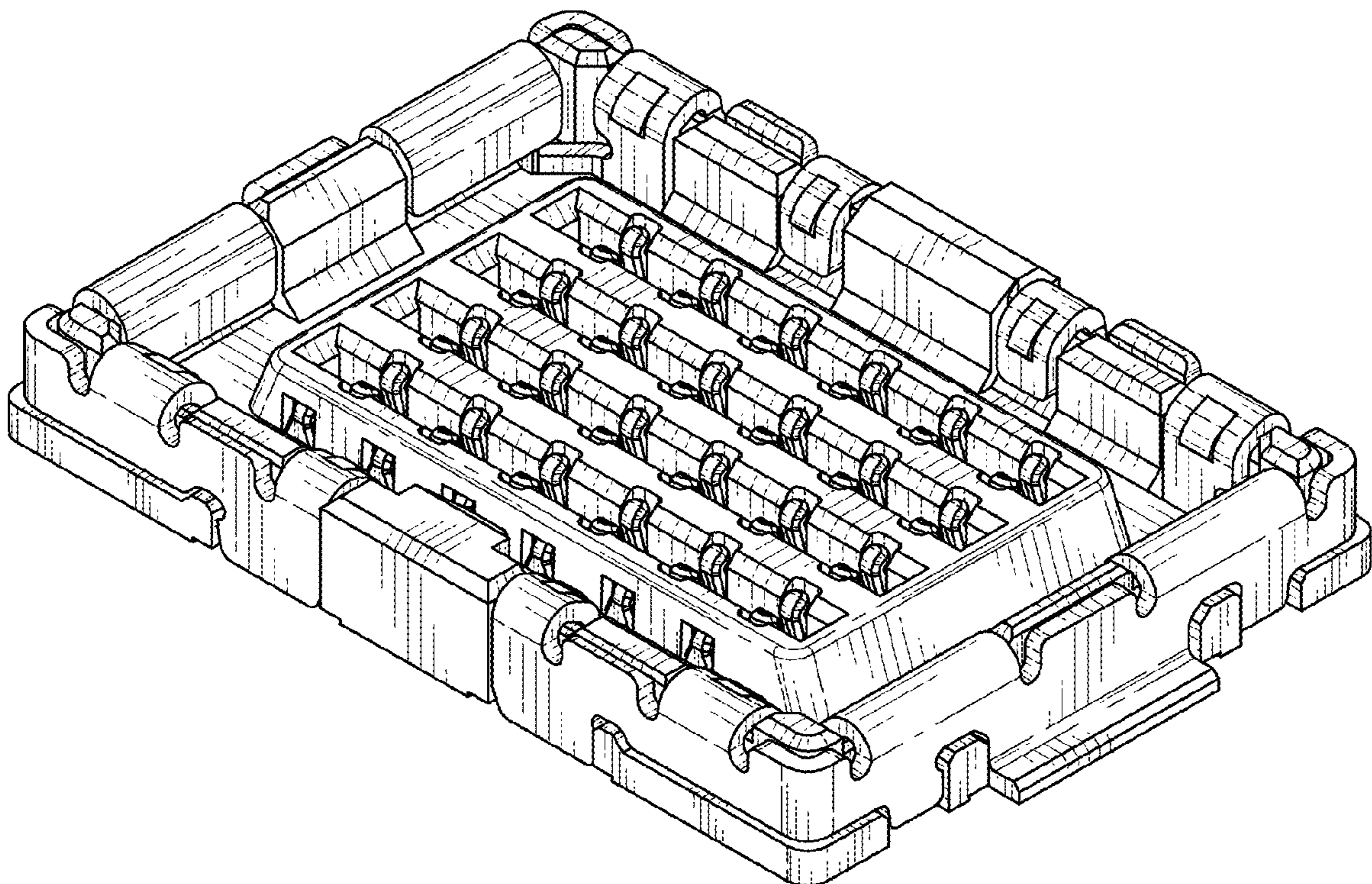


FIG. 10