



US00D871344S

(12) **United States Design Patent** (10) **Patent No.:** **US D871,344 S**
Lyu (45) **Date of Patent:** **** Dec. 31, 2019**

(54) **POWER STRIP**
(71) Applicant: **Zhuhai Iihe Technology Co., Ltd,**
Zhuhai (CN)
(72) Inventor: **Shaopeng Lyu, Shantou (CN)**
(**) Term: **15 Years**
(21) Appl. No.: **29/704,883**
(22) Filed: **Sep. 9, 2019**
(51) **LOC (12) Cl.** **13-03**
(52) **U.S. Cl.**
USPC **D13/139.8**
(58) **Field of Classification Search**
USPC ... D13/139.1–139.8, 108, 137.2, 137.3, 152,
D13/138.1, 171, 156, 110; D21/771;
D10/106.1, 40; D32/31, 21
CPC H01R 25/006; H02J 7/0004
See application file for complete search history.

D797,676 S * 9/2017 Xu D13/139.6
D811,338 S * 2/2018 Zhu D13/139.1
D816,038 S * 4/2018 Lu D13/137.3
D821,328 S * 6/2018 Byrne D13/139.4
D828,304 S * 9/2018 Chen D13/139.8
D832,786 S * 11/2018 Zhu D13/139.1
D837,736 S * 1/2019 Liao D13/139.7
D840,347 S * 2/2019 Byrne D13/139.4
D841,591 S * 2/2019 Byrne D13/139.4
D852,749 S * 7/2019 Wang D13/139.8
10,340,645 B2 * 7/2019 Wu H01R 25/006
D858,449 S * 9/2019 Zhu D13/139.1
D859,195 S * 9/2019 Kristensson D10/106.1
D861,614 S * 10/2019 Xu D13/137.2
D864,861 S * 10/2019 Roberts D13/108

* cited by examiner

Primary Examiner — Rhea Shields
(74) *Attorney, Agent, or Firm* — HYIP

(57) **CLAIM**

The ornamental design for a power strip, as shown and described.

(56) **References Cited**

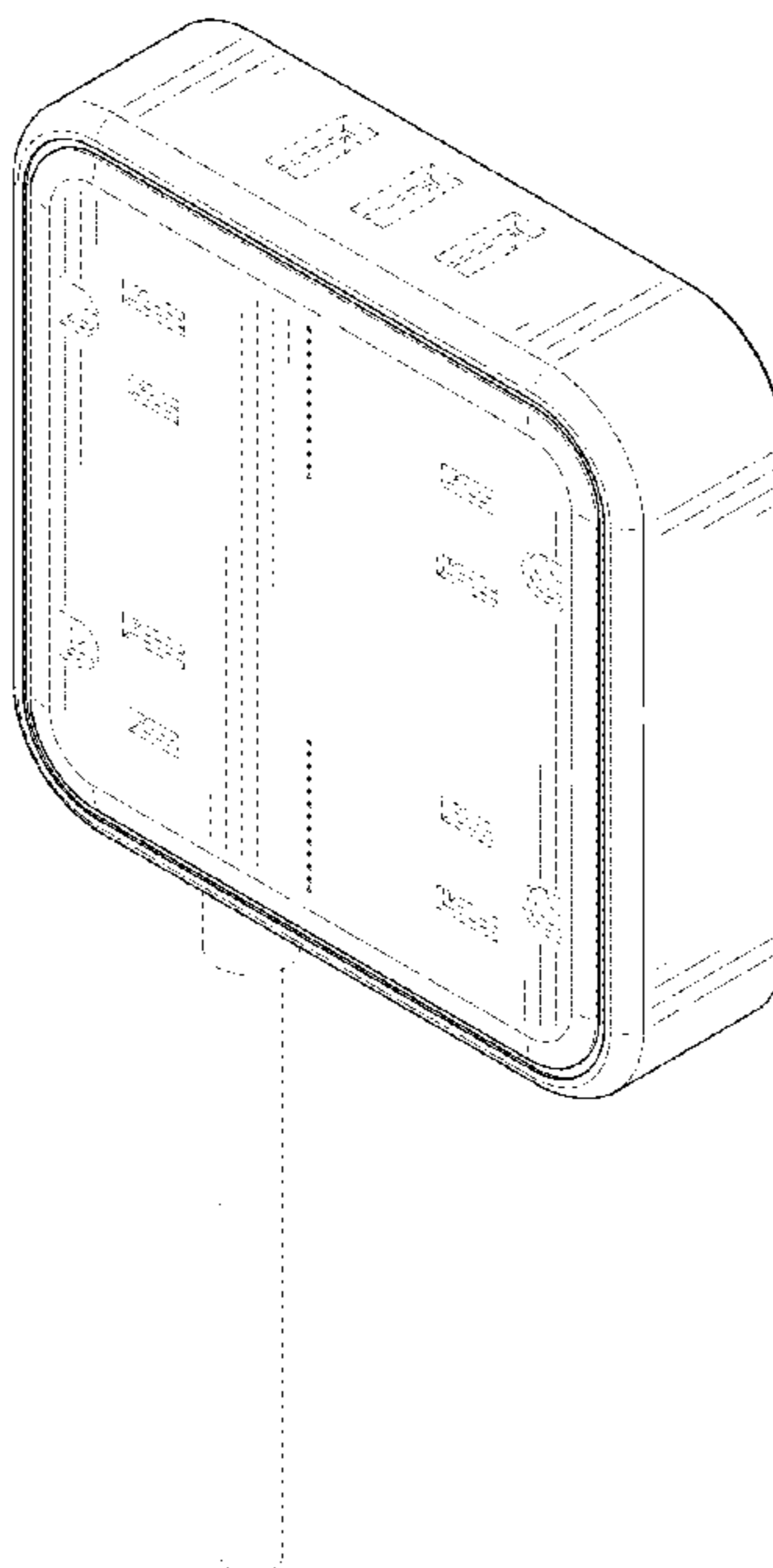
U.S. PATENT DOCUMENTS

5,109,316 A * 4/1992 Murphy H01R 25/006
174/58
D349,885 S * 8/1994 Lee D13/139.8
D368,893 S * 4/1996 Harwood D13/139.8
5,566,053 A * 10/1996 Chou H01R 25/006
174/50
D662,056 S 6/2012 Lee et al.
D695,693 S * 12/2013 Lee D13/152
D705,732 S 5/2014 Lee et al.
D734,907 S * 7/2015 Dooley D32/31
D743,647 S * 11/2015 Heck D32/21
D765,037 S * 8/2016 Hebert D13/156
D769,819 S * 10/2016 Banayan D13/110
D796,443 S * 9/2017 Xu D13/139.6
D796,445 S * 9/2017 Xu D13/139.6

DESCRIPTION

FIG. 1 is a first perspective view of a power strip showing my new design;
FIG. 2 is a second perspective view thereof;
FIG. 3 is a front view thereof;
FIG. 4 is a back view thereof;
FIG. 5 is a left side view thereof;
FIG. 6 is a right side view thereof;
FIG. 7 is a top view thereof; and,
FIG. 8 is a bottom view thereof.
The broken lines shown in the drawings depict portions of the power strip in which the design is embodied that form no part of the claimed design.

1 Claim, 8 Drawing Sheets



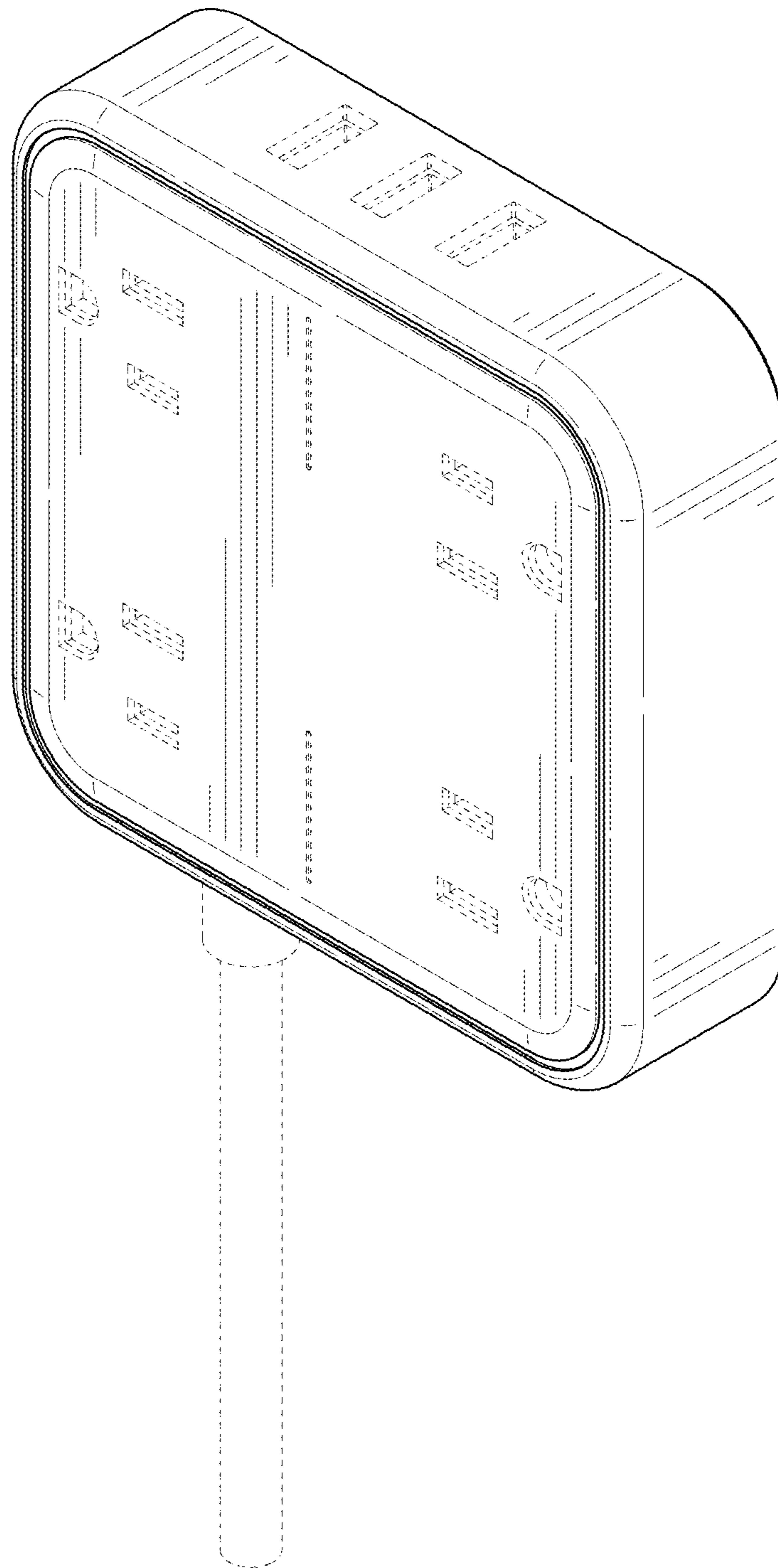


FIG. 1

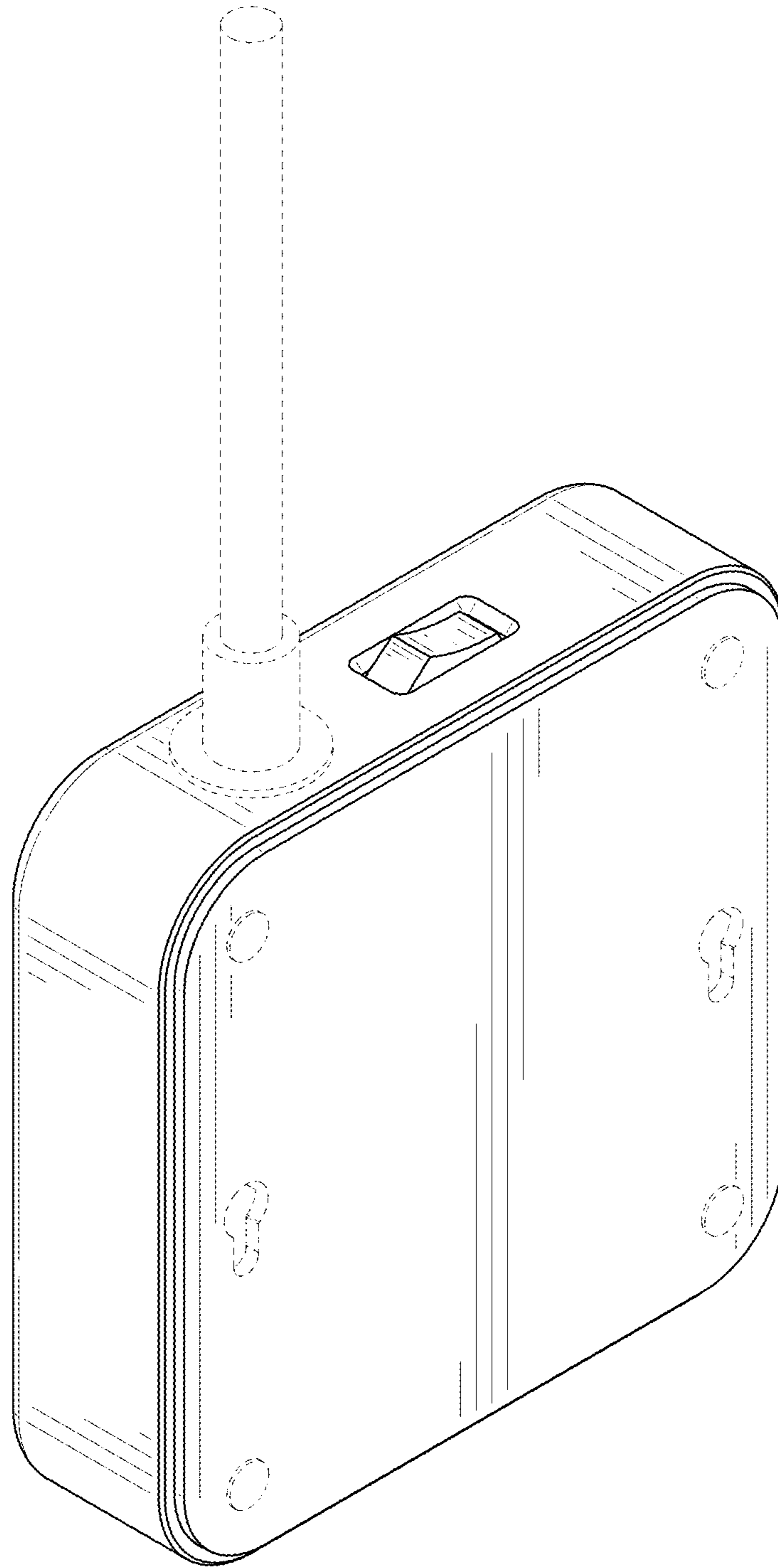


FIG. 2

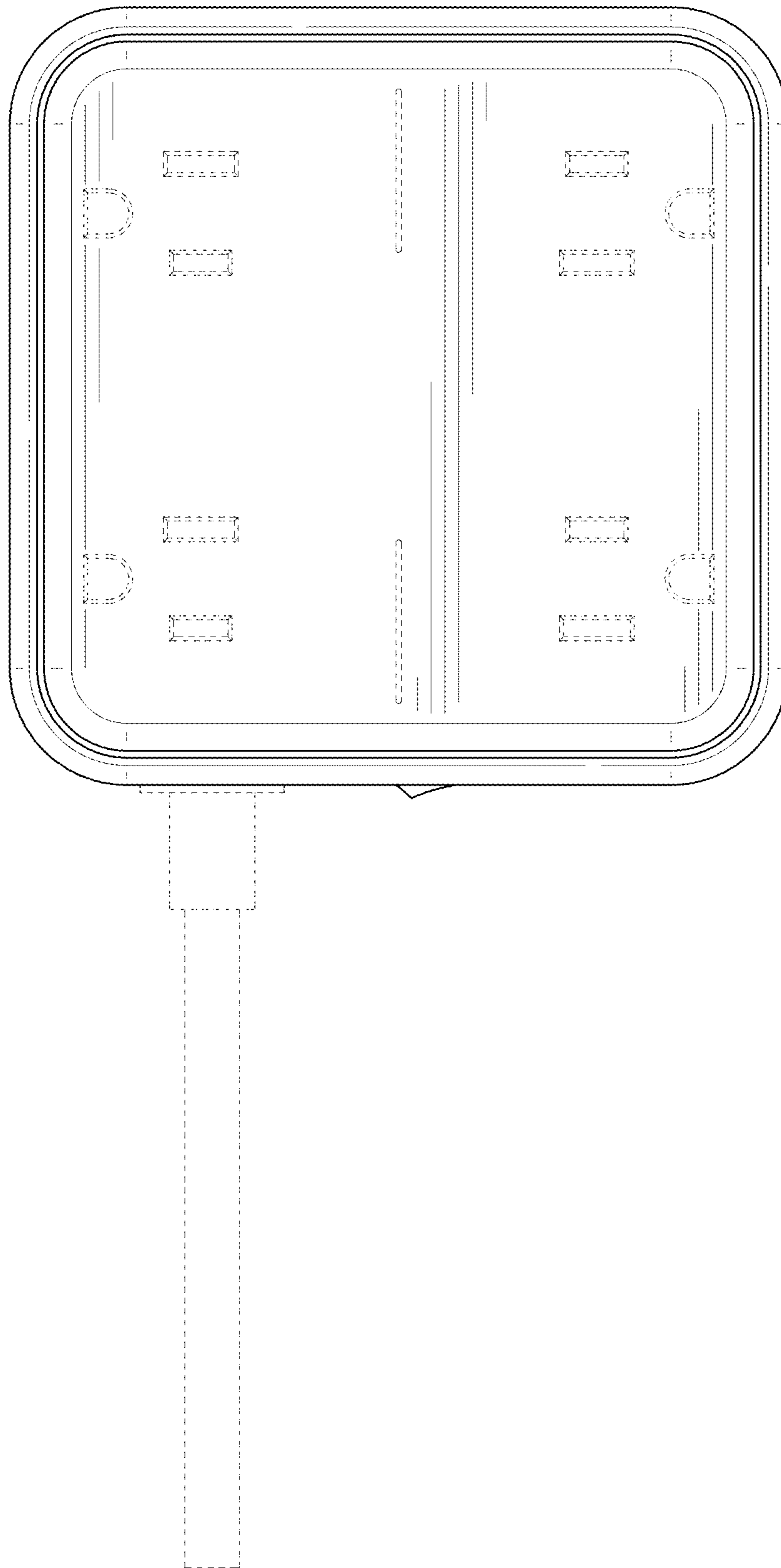


FIG. 3

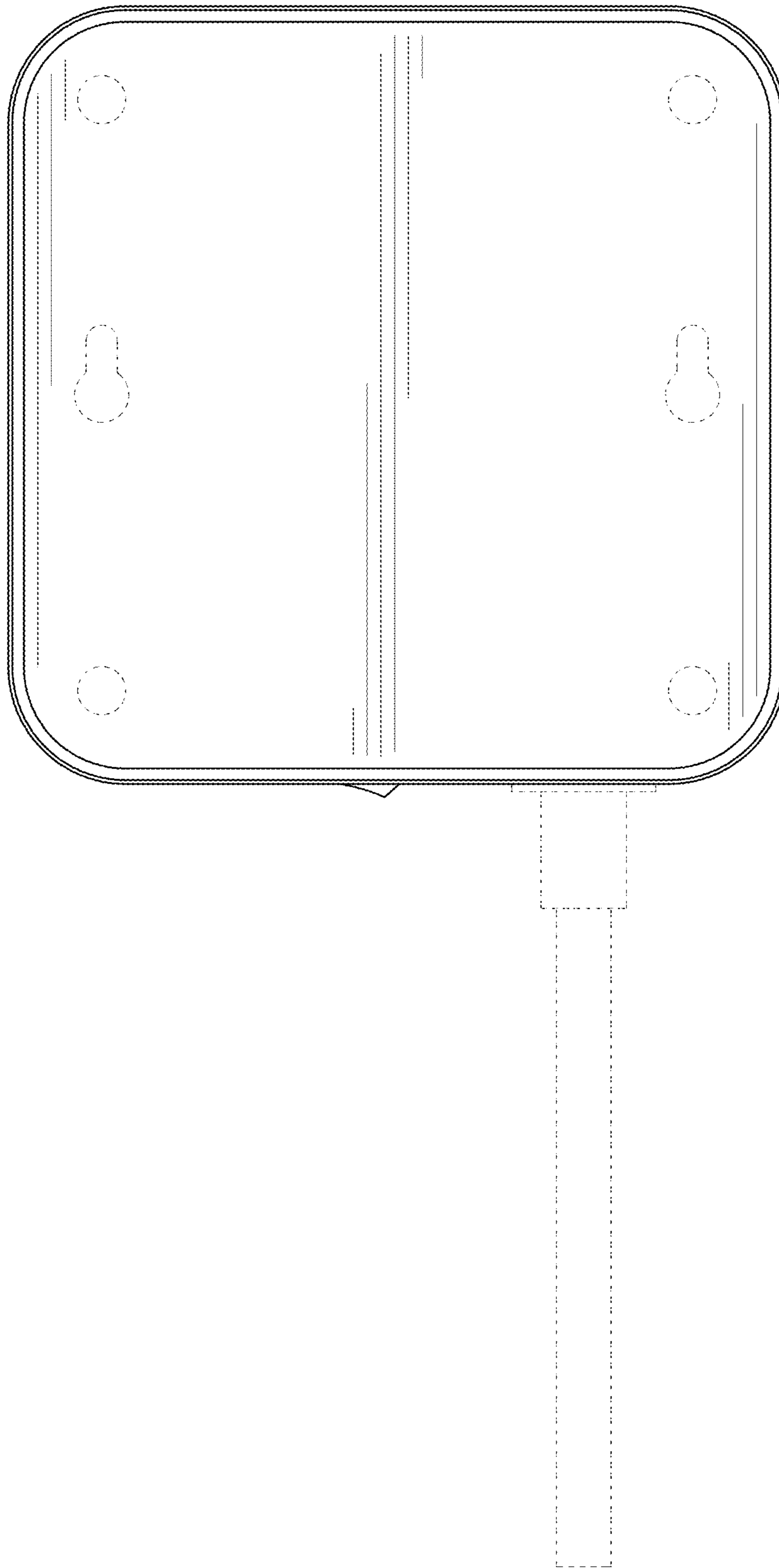


FIG. 4

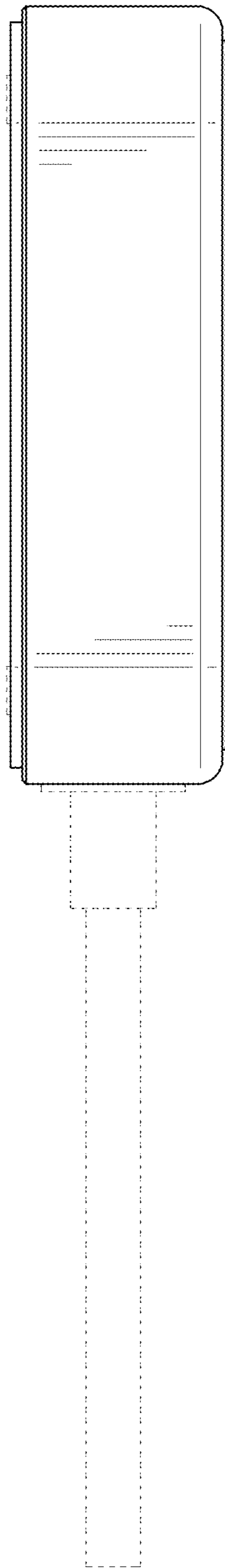


FIG. 5

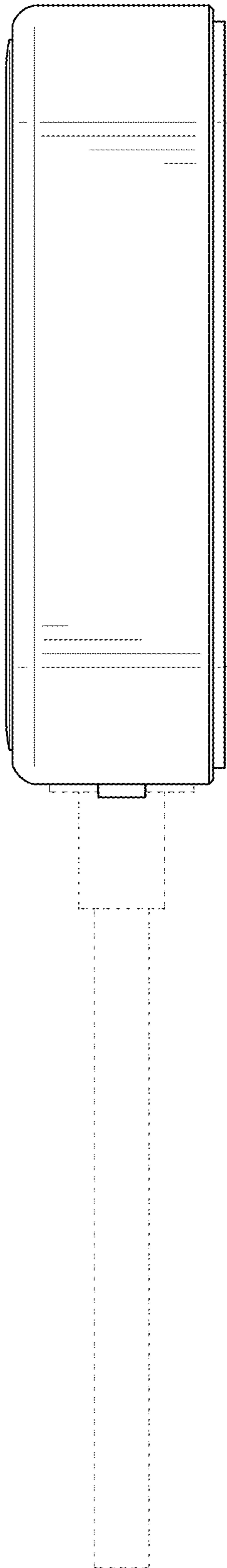


FIG. 6

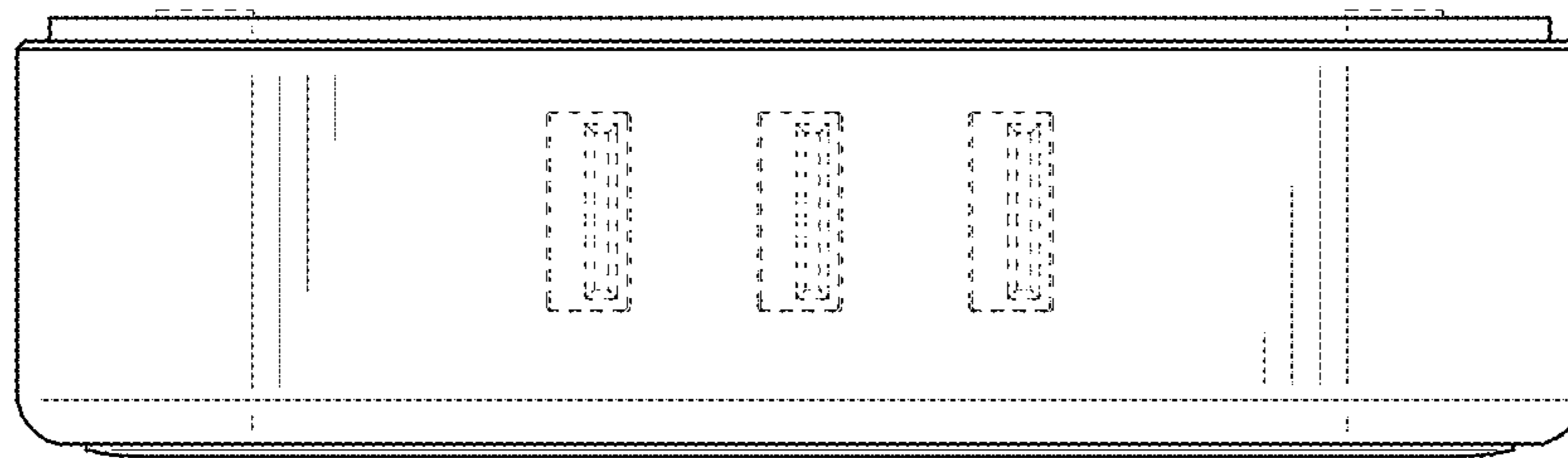


FIG. 7

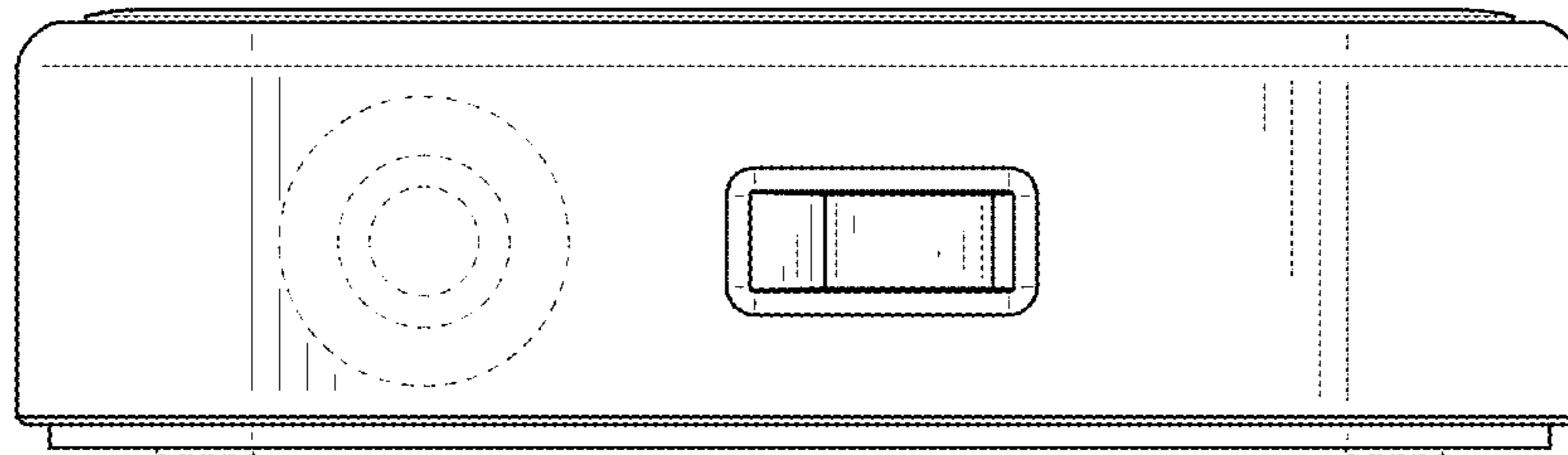


FIG. 8