



US00D871342S

(12) **United States Design Patent**  
**Liu**

(10) **Patent No.:** **US D871,342 S**

(45) **Date of Patent:** **\*\* Dec. 31, 2019**

(54) **CONVERSION SOCKET**

(71) Applicant: **Shenzhen Ouli Technology CO., LTD.**,  
Shenzhen (CN)

(72) Inventor: **Song Liu**, Shenzhen (CN)

(73) Assignee: **SHENZHEN OULI TECHNOLOGY CO., LTD.**, Shenzhen (CN)

(\*\*) Term: **15 Years**

(21) Appl. No.: **29/641,570**

(22) Filed: **Mar. 22, 2018**

(30) **Foreign Application Priority Data**

Feb. 2, 2018 (CN) ..... 2018 3 0051078

(51) **LOC (12) Cl.** ..... **13-03**

(52) **U.S. Cl.**  
USPC ..... **D13/137.2**

(58) **Field of Classification Search**  
USPC ..... D13/146, 147, 123, 133, 137.1-139.8,  
D13/154, 156

CPC ..... H01R 11/00; H01R 9/00; H01R 25/00;  
H01R 25/006; H01R 13/11; H01R 24/76;  
H01R 25/003; H02J 2007/0062  
See application file for complete search history.

(56) **References Cited**

U.S. PATENT DOCUMENTS

D472,555 S \* 4/2003 Tomino ..... D13/133  
D568,814 S \* 5/2008 Hung ..... D13/123  
D617,275 S \* 6/2010 Fahrendorff ..... D13/138.1  
D654,435 S \* 2/2012 Lee ..... D13/138.2

D668,610 S \* 10/2012 Li ..... D13/133  
D703,138 S \* 4/2014 Weiland ..... D13/133  
D743,340 S \* 11/2015 Marshall ..... D13/147  
D805,479 S \* 12/2017 Lin ..... D13/137.2  
D829,663 S \* 10/2018 Liu ..... D13/137.2  
D838,245 S \* 1/2019 Lin ..... D13/137.2  
D848,947 S \* 5/2019 Liu ..... D13/137.2  
D855,571 S \* 8/2019 Zeng ..... D13/137.2

\* cited by examiner

*Primary Examiner* — Bridget L Eland

(74) *Attorney, Agent, or Firm* — Hemisphere Law, PLLC;  
Zhigang Ma

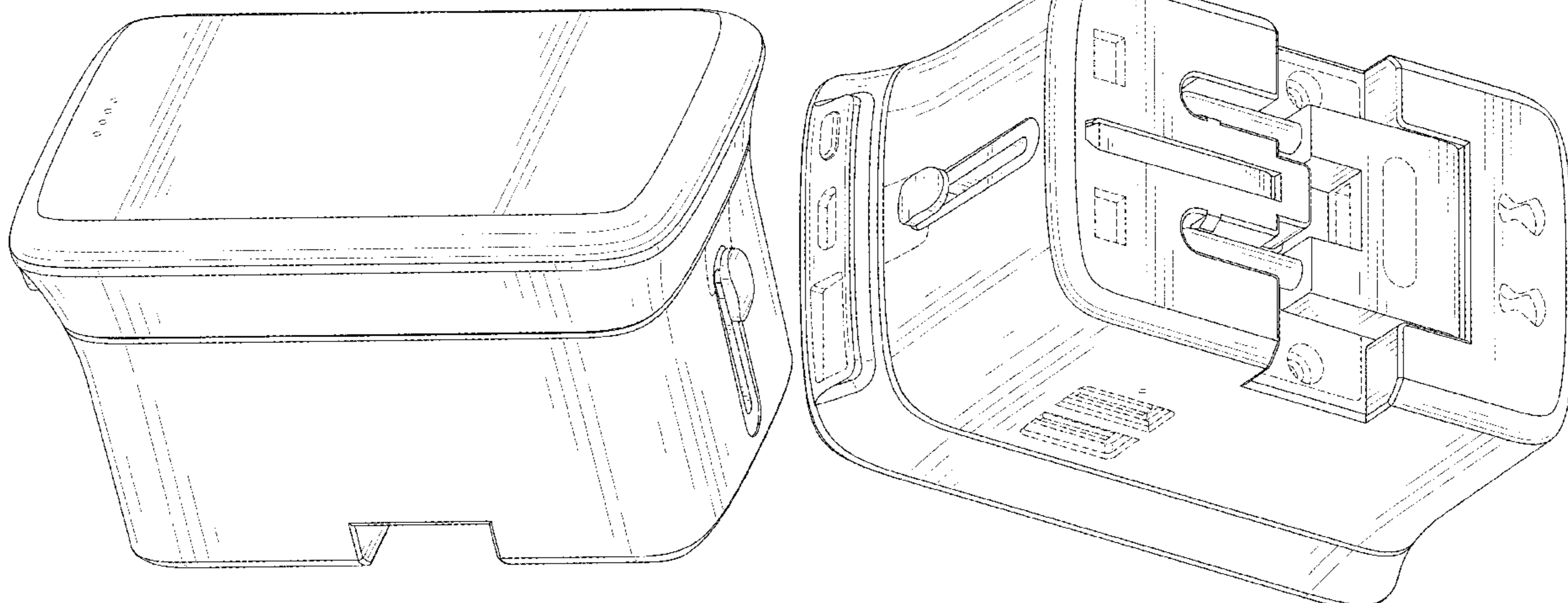
(57) **CLAIM**

The ornamental design for a conversion socket, as shown and described.

**DESCRIPTION**

FIG. 1 is a front elevational view of a conversion socket showing my new design;  
FIG. 2 is a rear elevational view thereof;  
FIG. 3 is a left side elevational view thereof;  
FIG. 4 is a right side elevational view thereof;  
FIG. 5 is a top plan view thereof;  
FIG. 6 is a bottom plan view thereof;  
FIG. 7 is a front, left, bottom perspective view thereof; and,  
FIG. 8 is a rear, right, top perspective view thereof.  
The broken lines immediately adjacent to the claim as shown in the drawings represent the boundaries of the claimed design, while all other broken lines are directed to environment and are for illustrative purpose only; the broken lines form no part of the claimed design.

**1 Claim, 8 Drawing Sheets**



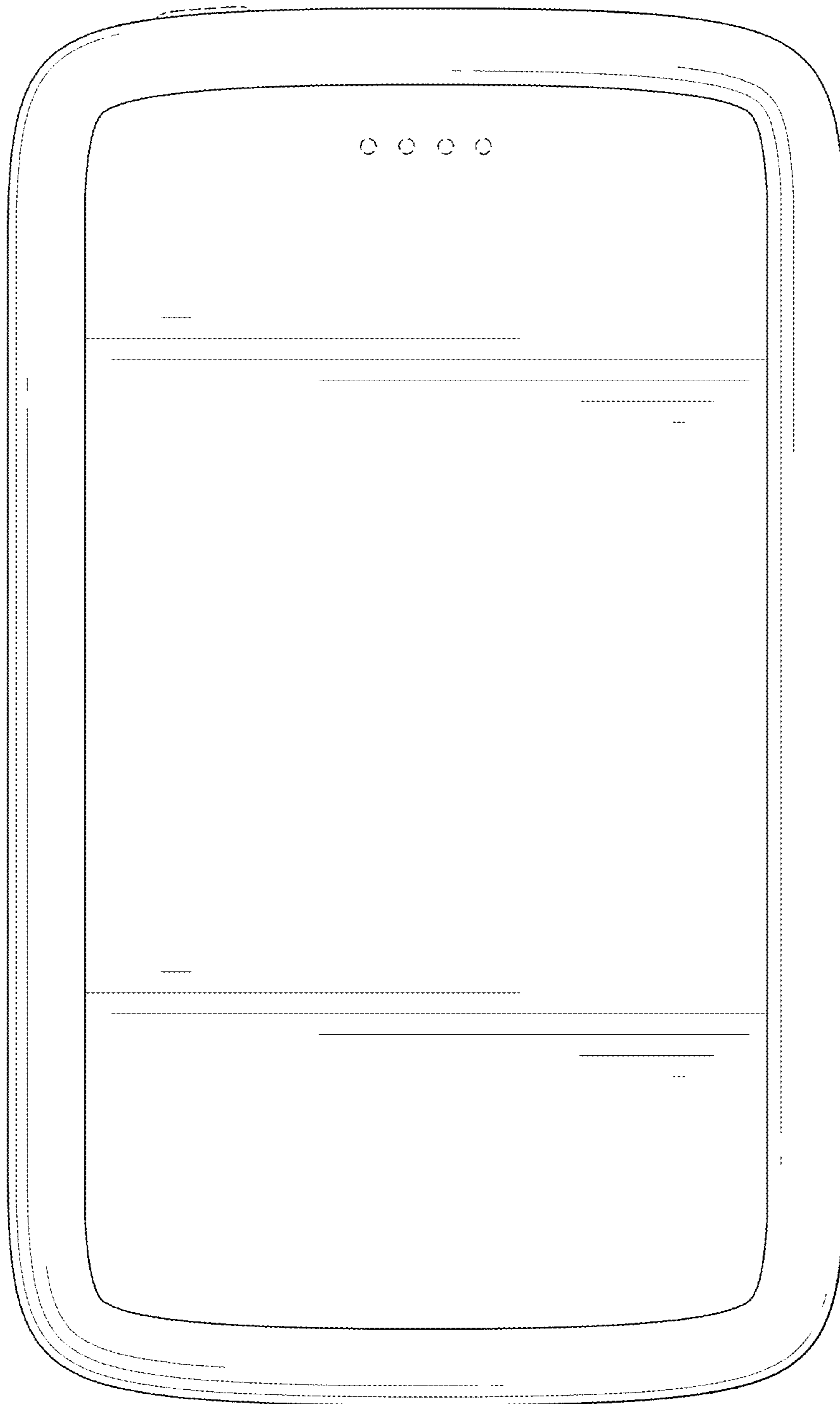


FIG. 1

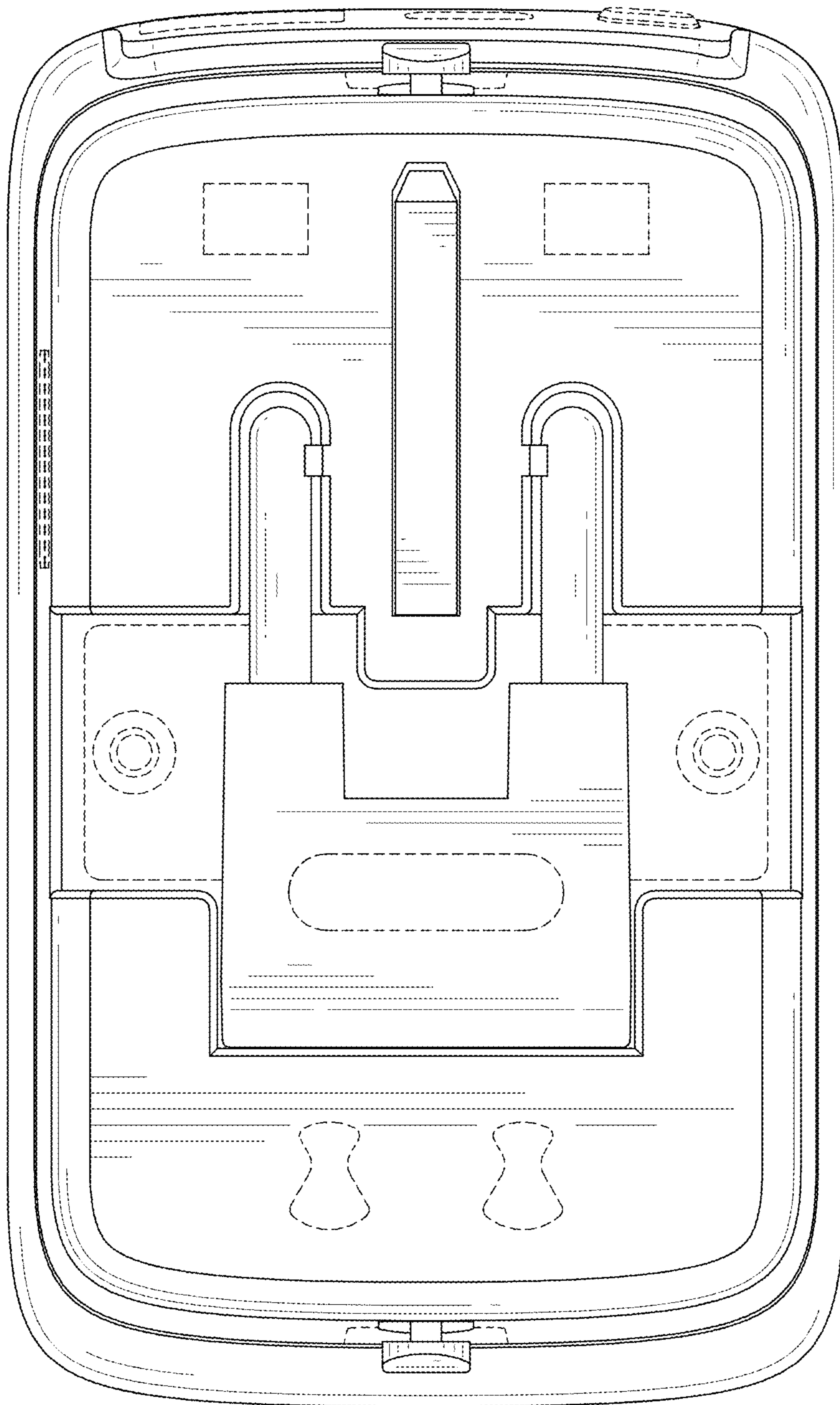


FIG. 2

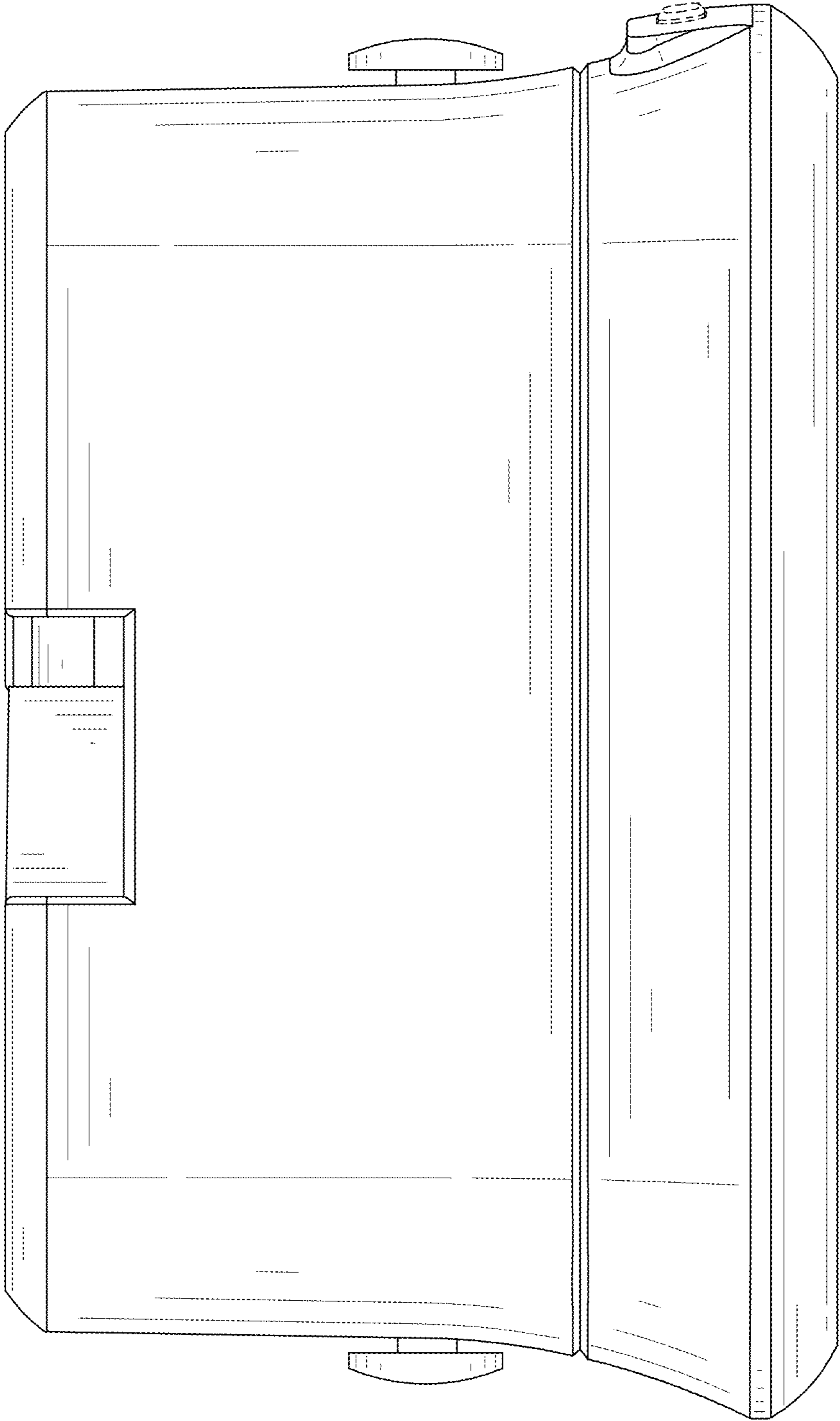


FIG. 3

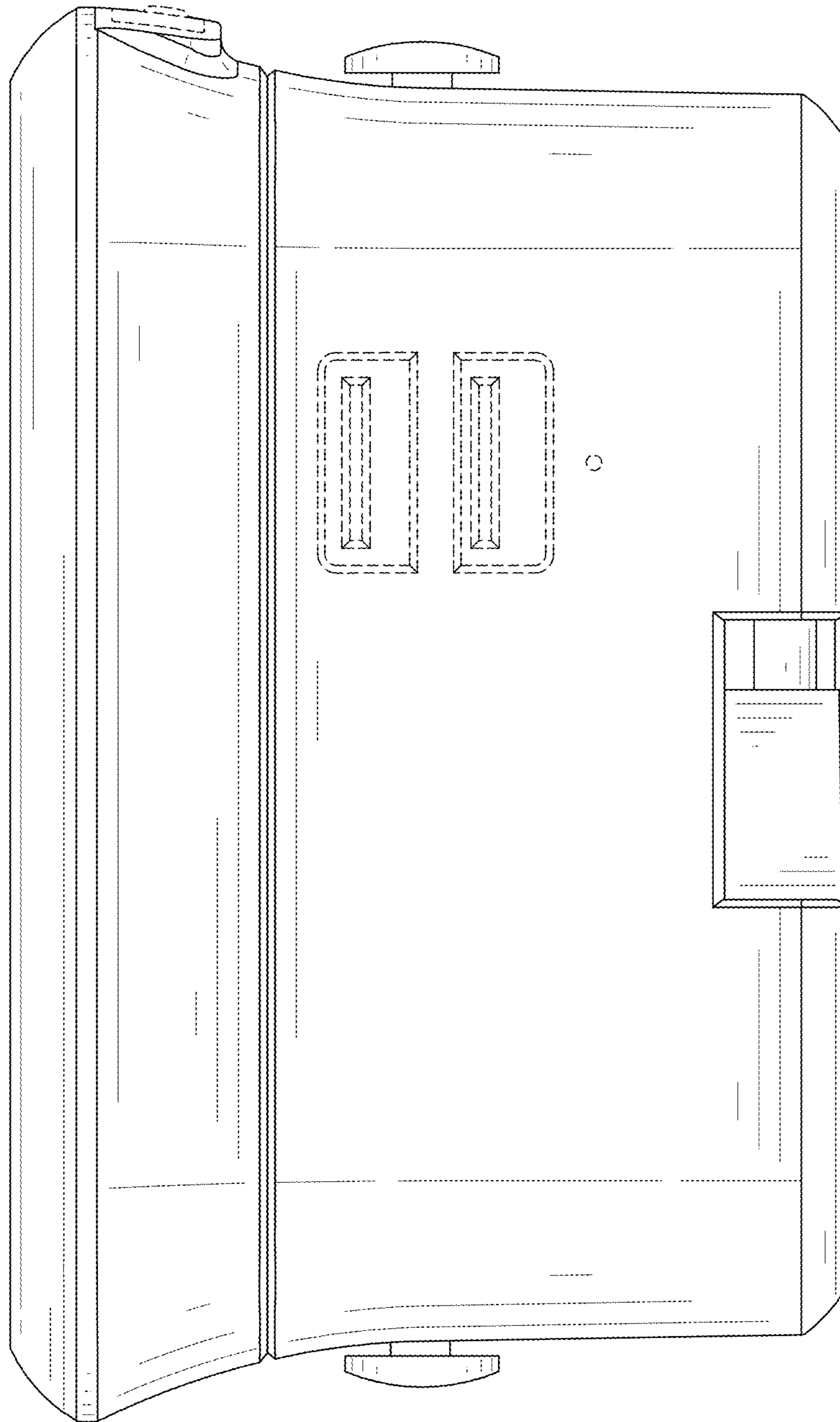


FIG. 4

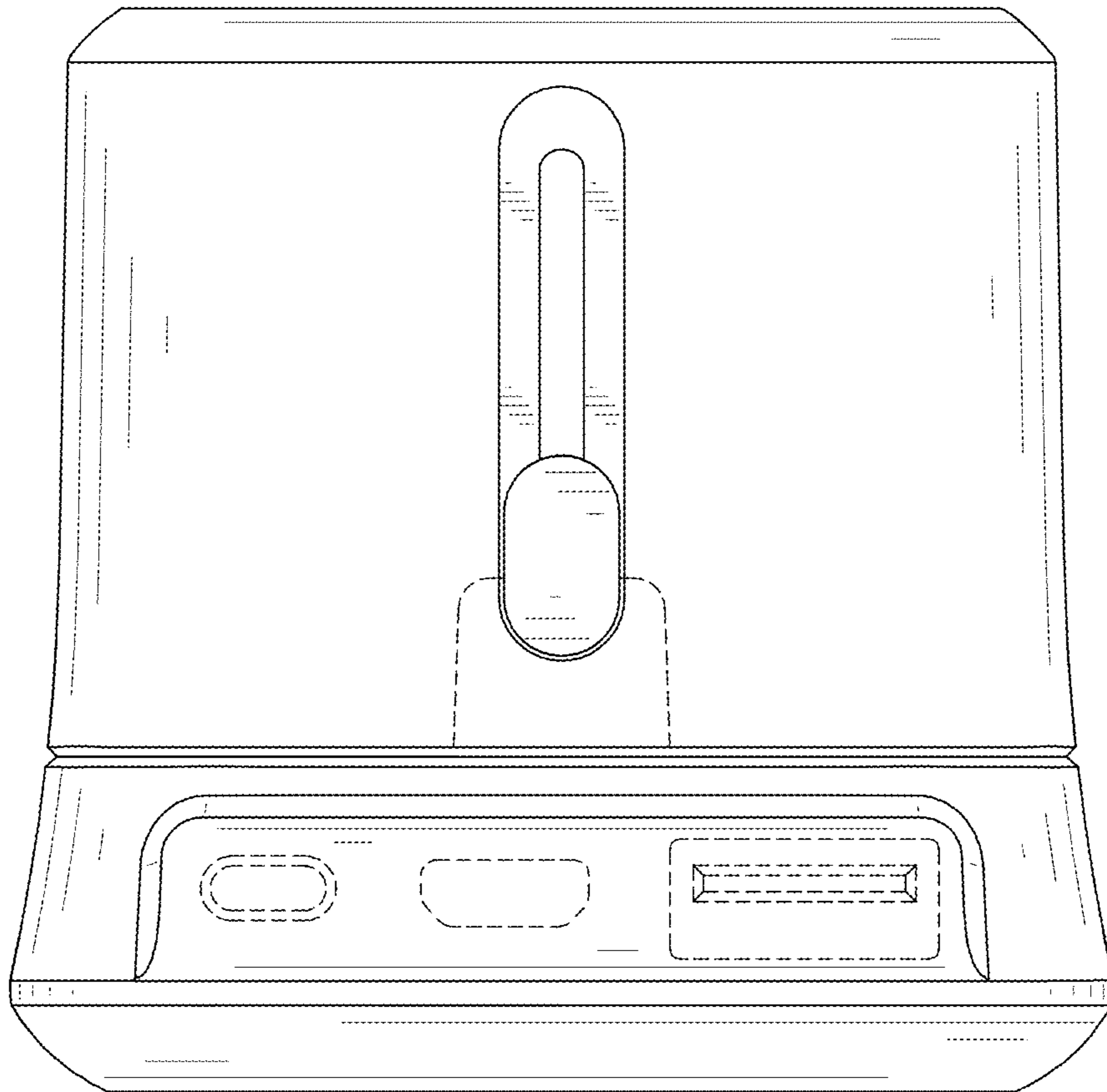


FIG. 5

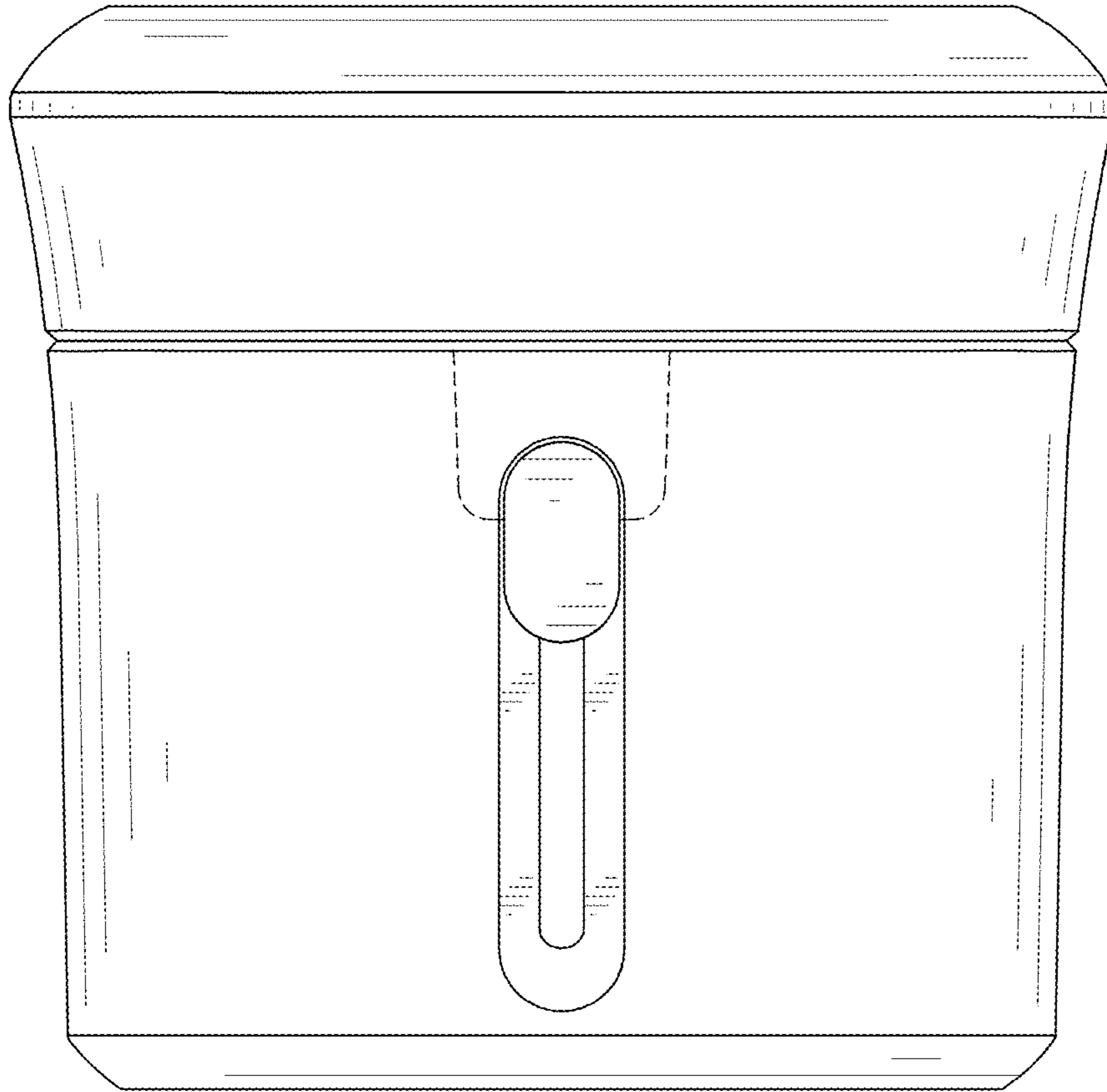


FIG. 6

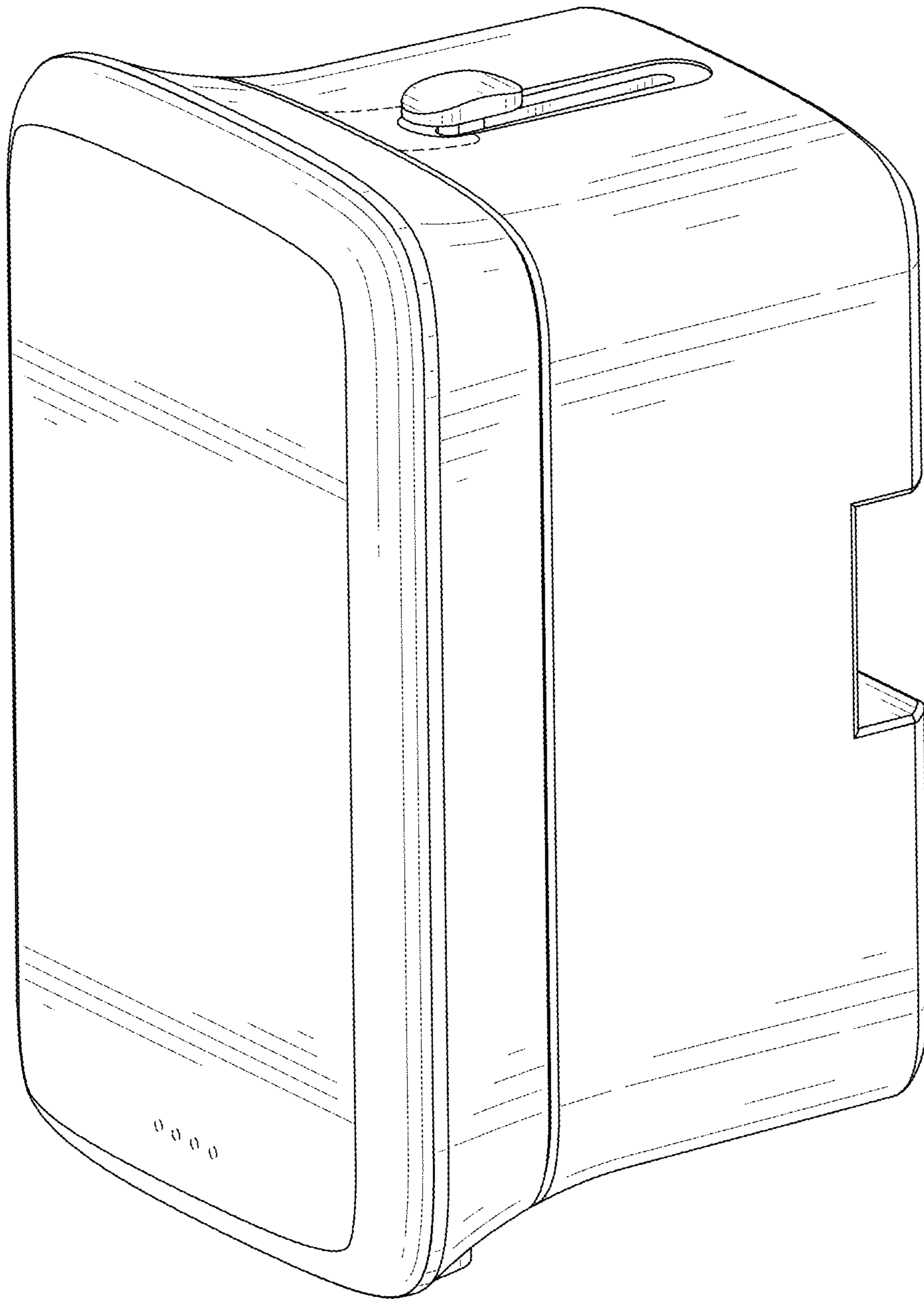


FIG. 7



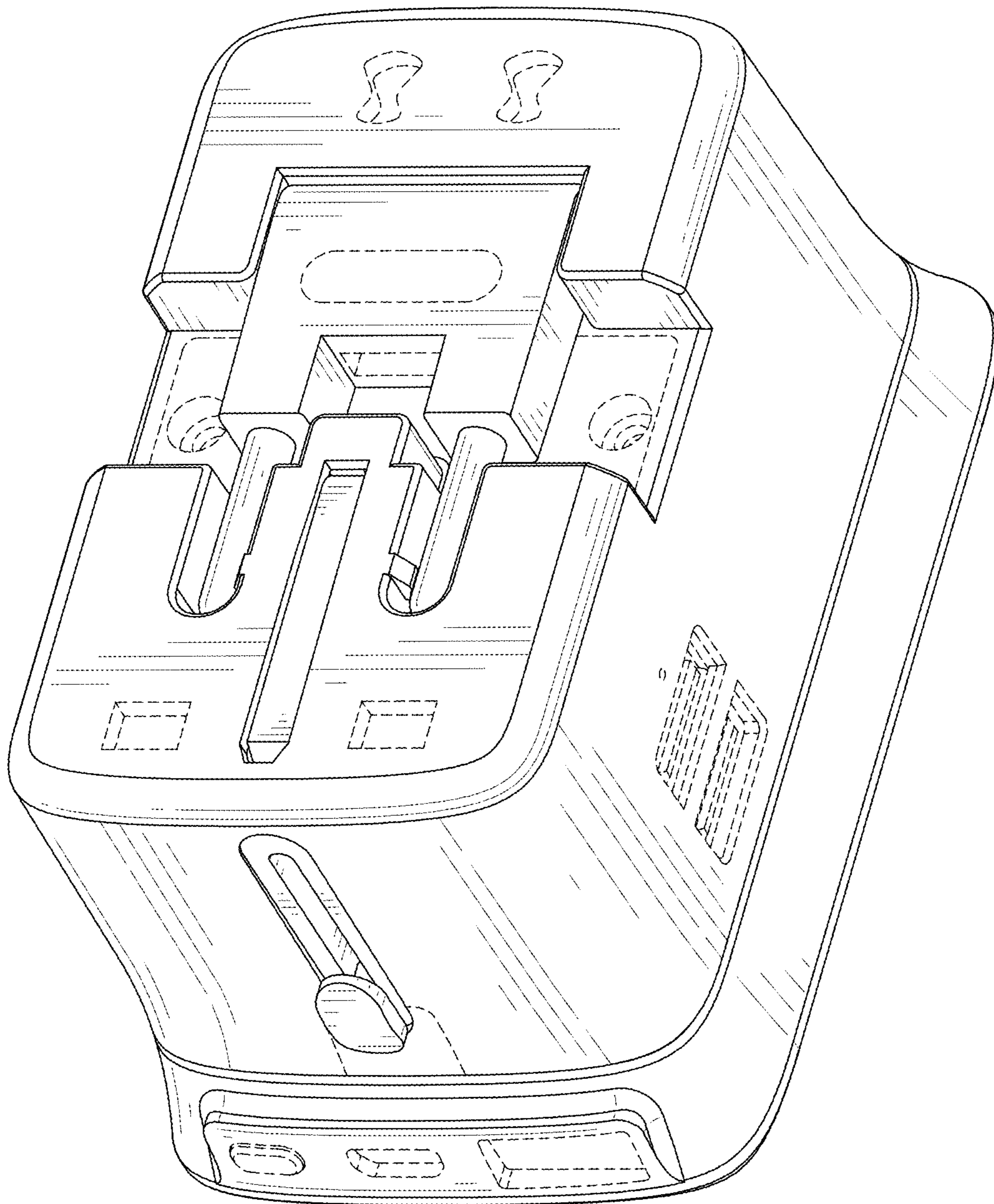


FIG. 8