



US00D871341S

(12) **United States Design Patent** (10) **Patent No.:** **US D871,341 S**
Jensen et al. (45) **Date of Patent:** **** Dec. 31, 2019**

- (54) **ELECTRICAL SOCKET**
- (71) Applicant: **JACOB JENSEN DESIGN A/S**,
Hoejslev (DK)
- (72) Inventors: **Timothy Jacob Jensen**, Hoejslev (DK);
Marina Lothigius, Shanghai (CN);
Danny Li, Shanghai (CN); **Maarten Sietzema**, Shanghai (CN)
- (73) Assignee: **JACOB JENSEN DESIGN A/S**,
Hoejslev (DK)
- (**) Term: **15 Years**
- (21) Appl. No.: **29/640,725**
- (22) Filed: **Mar. 16, 2018**
- (51) **LOC (12) Cl.** **13-03**
- (52) **U.S. Cl.**
USPC **D13/137.1**
- (58) **Field of Classification Search**
USPC D13/108, 110, 123, 133, 137.1–137.4,
D13/138.1–138.2, 139.1–139.8, 152, 154;
D14/433
CPC .. H01R 25/00; H01R 25/006; H01R 13/6675;
H01R 13/10; H01R 13/44; H01R 13/66;
H01R 13/652; H01R 31/065; H01R
31/00; H01R 11/00; H01R 9/00; H01H
2207/00; H01H 2207/022
See application file for complete search history.

(56) **References Cited**
U.S. PATENT DOCUMENTS

D284,762 S	7/1986	Mo
D290,118 S	6/1987	Kaufman
D334,562 S	4/1993	Maloney
D352,277 S	11/1994	Olsen
D363,701 S	10/1995	Paquette et al.
6,089,878 A	7/2000	Meng
D438,186 S	2/2001	Rodgers et al.

D463,388 S	9/2002	Thomsen
D503,397 S	3/2005	Stevens et al.
D514,526 S	2/2006	Chen et al.
7,220,128 B1	5/2007	Hicks
D596,929 S	7/2009	Lawrence et al.
7,717,738 B2	5/2010	Mabry
D630,173 S	1/2011	Donowho et al.
D632,660 S	2/2011	Donowho et al.

(Continued)

OTHER PUBLICATIONS

Ifworlddesignguide.com: XPower / Modular power track. Published Mar. 13, 2019. Retrieved from the internet at <<https://ifworlddesignguide.com/entry/232279-xpower>>, Mar. 13, 2019. 1 page. (Year: 2019).*

(Continued)

Primary Examiner — Rosemary K Tarcza
Assistant Examiner — Christy M Nemeth

(74) *Attorney, Agent, or Firm* — Adsero IP

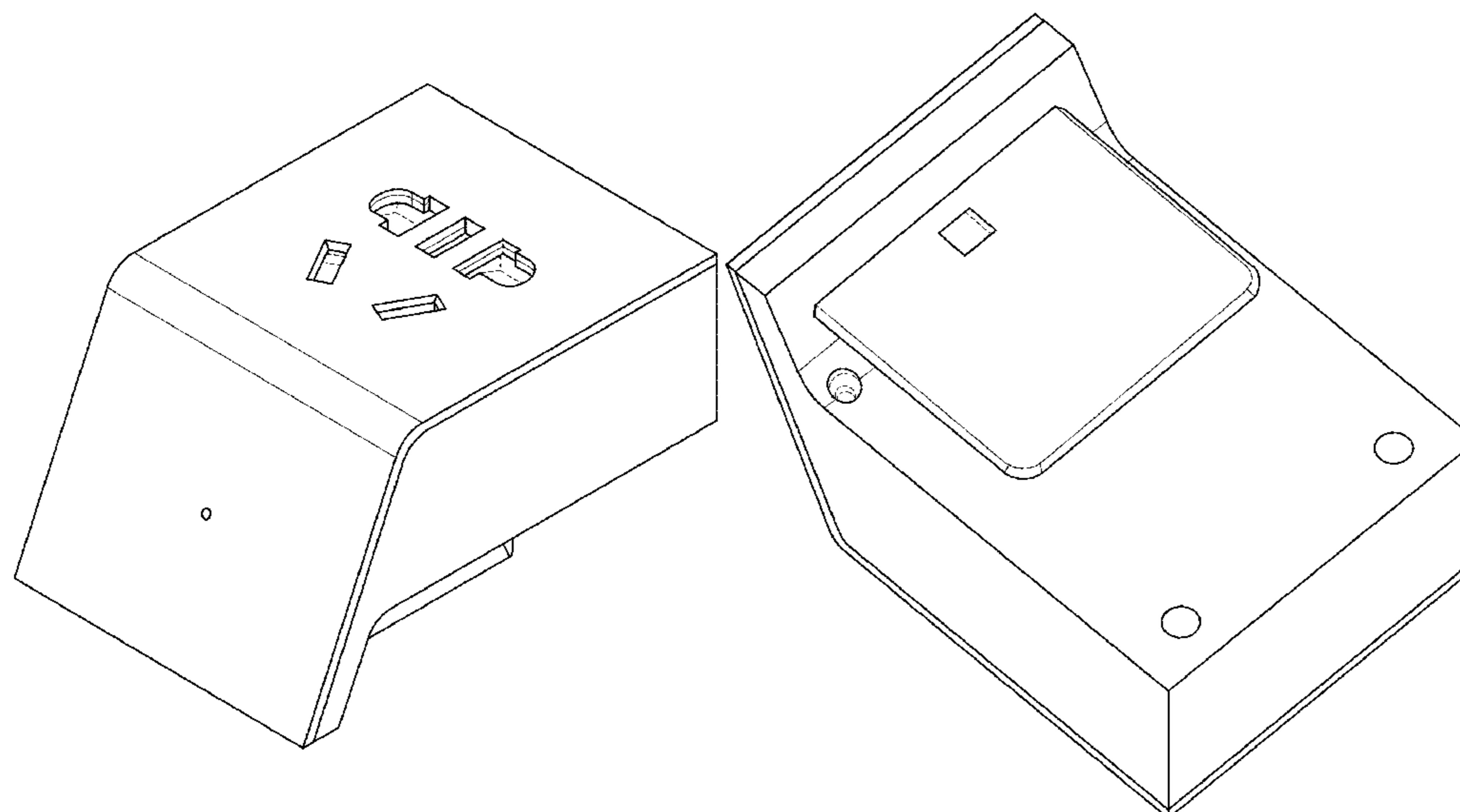
(57) **CLAIM**

The ornamental design for an electrical socket, as shown and described.

DESCRIPTION

FIG. 1 is a back elevation view of an electrical socket showing our new design;
 FIG. 2 is a top plan view thereof;
 FIG. 3 is a front elevation view thereof;
 FIG. 4 is a bottom plan view thereof;
 FIG. 5 is a left side elevation view thereof;
 FIG. 6 is a right side elevation view thereof;
 FIG. 7 is a top, front, right-side perspective view thereof;
 FIG. 8 is a bottom, back, left-side perspective view thereof;
 and,
 FIG. 9 is a top, back, left-side perspective view thereof.
 The broken lines in the figures are for the purpose of illustrating portions of the electrical socket that form no part of the claimed design.

1 Claim, 7 Drawing Sheets



(56)

References Cited

U.S. PATENT DOCUMENTS

7,982,335 B2 7/2011 Aldag et al.
D656,488 S 3/2012 Nakayama et al.
D658,616 S 5/2012 VanDerFlier et al.
8,187,028 B2 5/2012 Feigl
D662,074 S 6/2012 Corsini et al.
D692,837 S 11/2013 Knapp et al.
D695,028 S 12/2013 Hagerty
D695,219 S * 12/2013 Dasbach D13/110
8,616,921 B2 12/2013 Byrne et al.
D755,127 S * 5/2016 Wong D13/137.2
D775,077 S * 12/2016 Xu D13/137.2
9,583,902 B2 2/2017 Irons et al.
D811,338 S * 2/2018 Zhu D13/139.1
D823,804 S * 7/2018 Zhu D13/139.1
D832,786 S * 11/2018 Zhu D13/139.1
D833,974 S 11/2018 Tyrrell et al.
D836,081 S 12/2018 Liu et al.
D836,567 S 12/2018 Lee et al.
D837,747 S 1/2019 Lee et al.

10,181,675 B1 1/2019 Anderson
D845,244 S 4/2019 Andersson et al.
2005/0115152 A1 6/2005 Levesque et al.

OTHER PUBLICATIONS

Design U.S. Appl. No. 29/640,739, filed Mar. 16, 2018; 7 pages.
Design U.S. Appl. No. 29/640,748, filed Mar. 16, 2018; 7 pages.
Design U.S. Appl. No. 29/650,955, filed Jun. 11, 2018; 10 pages.
Design U.S. Appl. No. 29/650,958, filed Jun. 11, 2018; 10 pages.
Design U.S. Appl. No. 29/640,739, NonFinalOA dated Jun. 25, 2019, 21 pages.
Design U.S. Appl. No. 29/640,748, NonFinalOA dated Jun. 26, 2019; 20 pages.
Design U.S. Appl. No. 29/650,958, ExParte Quayle Action, mailed Aug. 8, 2019, 18 pages.
Beacom 4 Cordless DECT Telephone. beoworld.org. (online) 3 pgs. Manufactured since 2003. [Retrieved on Aug. 5, 2019] https://www.beoworld.org/prod_details.asp?pid=783.

* cited by examiner

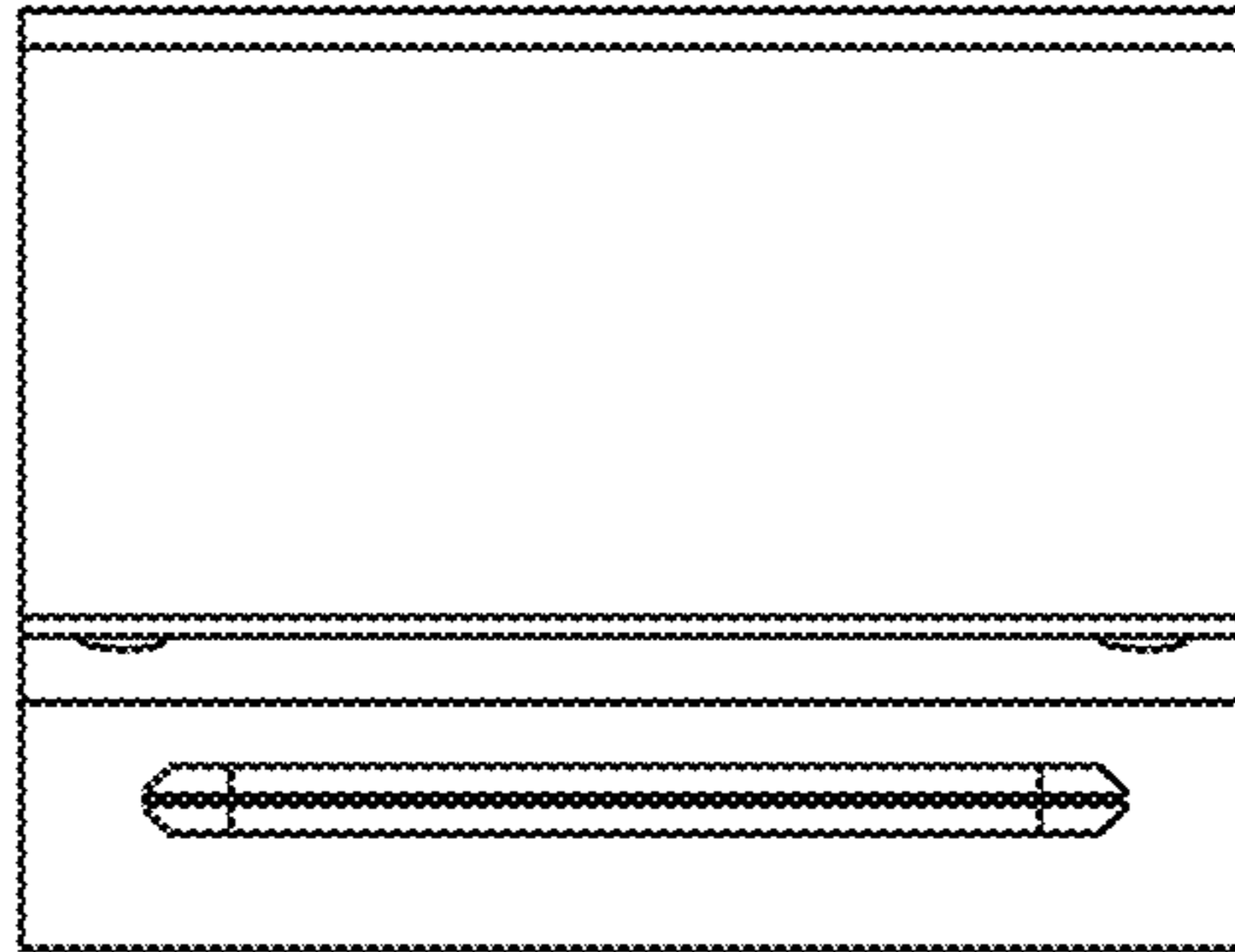


Fig. 1

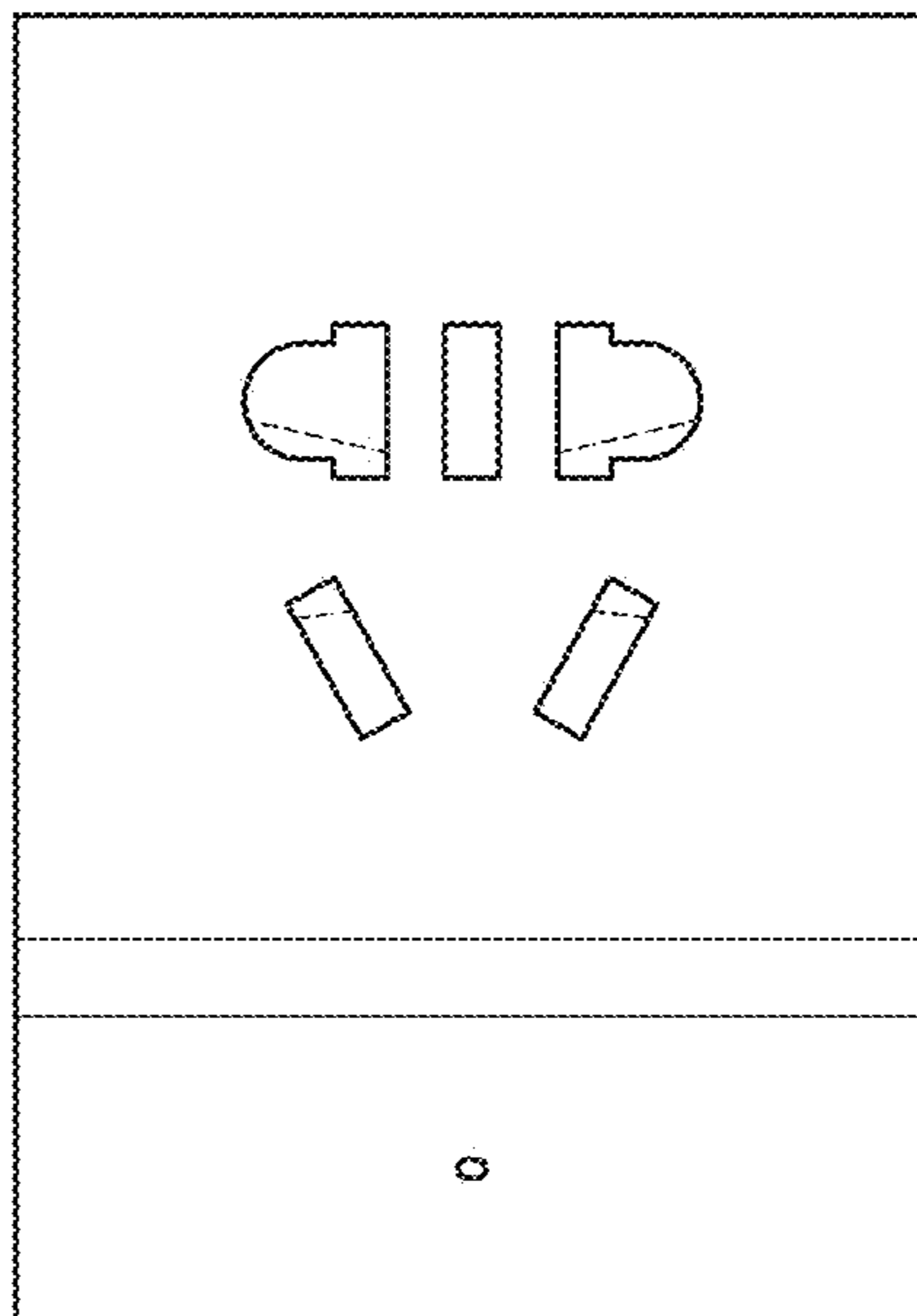


Fig. 2

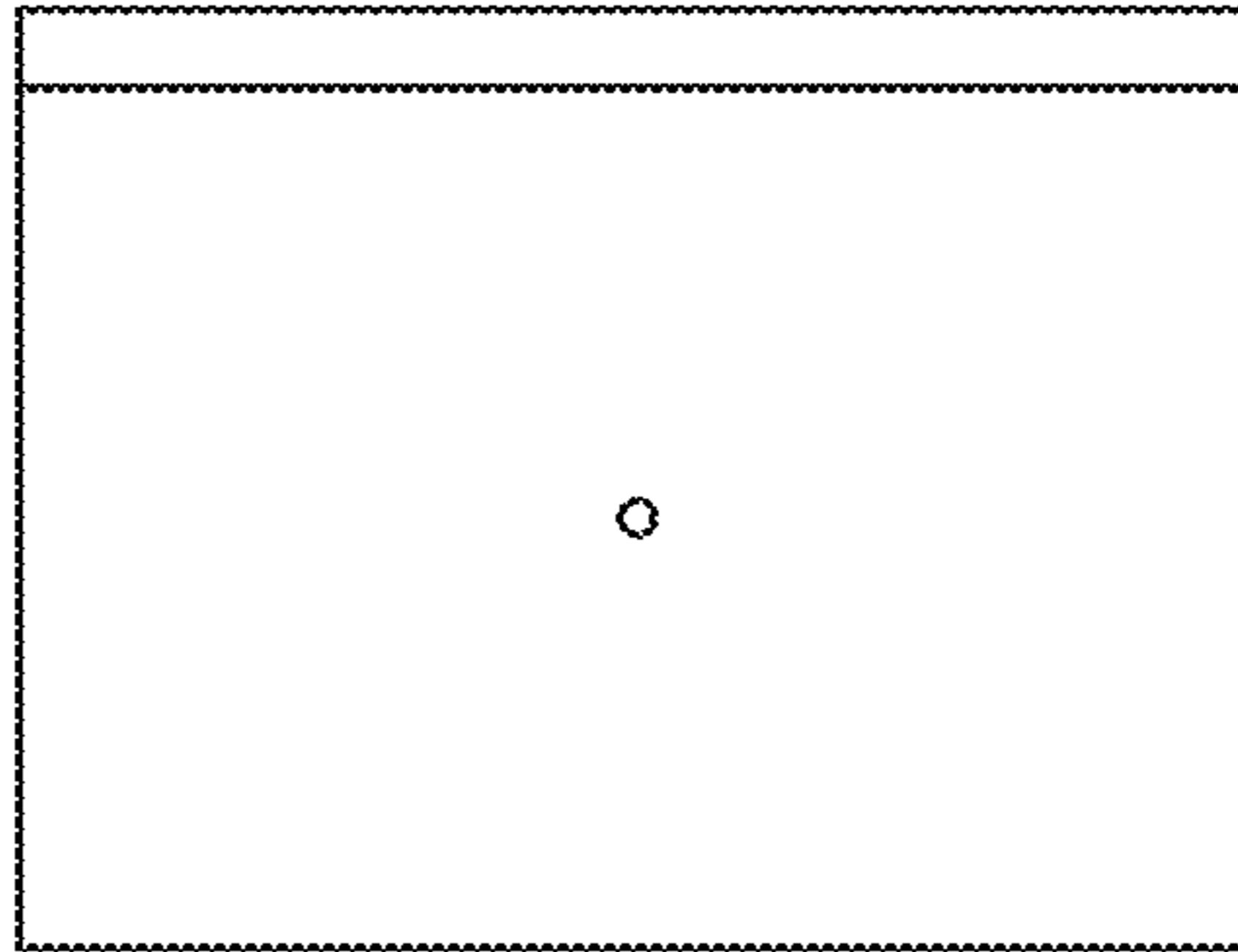


Fig. 3

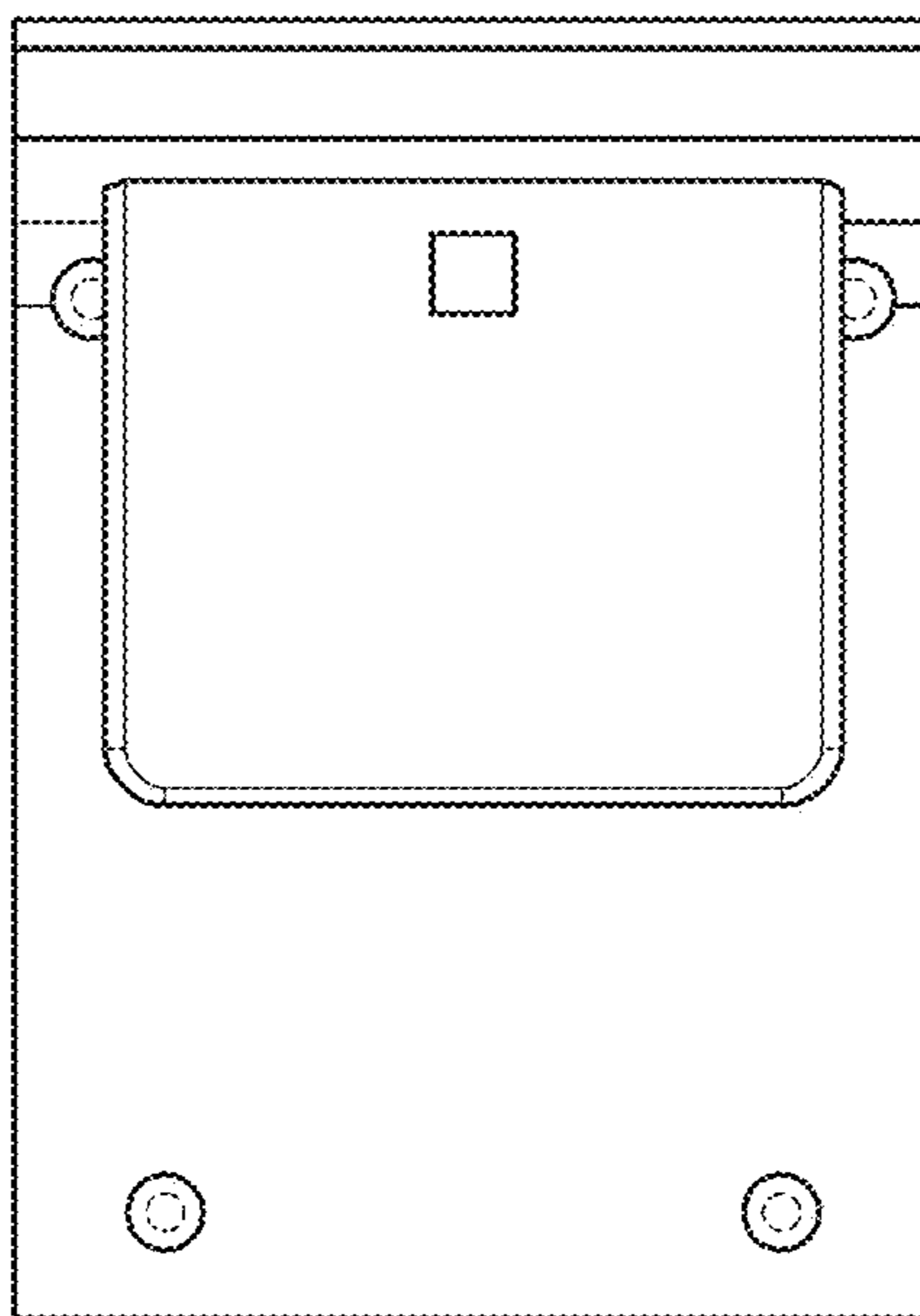


Fig. 4

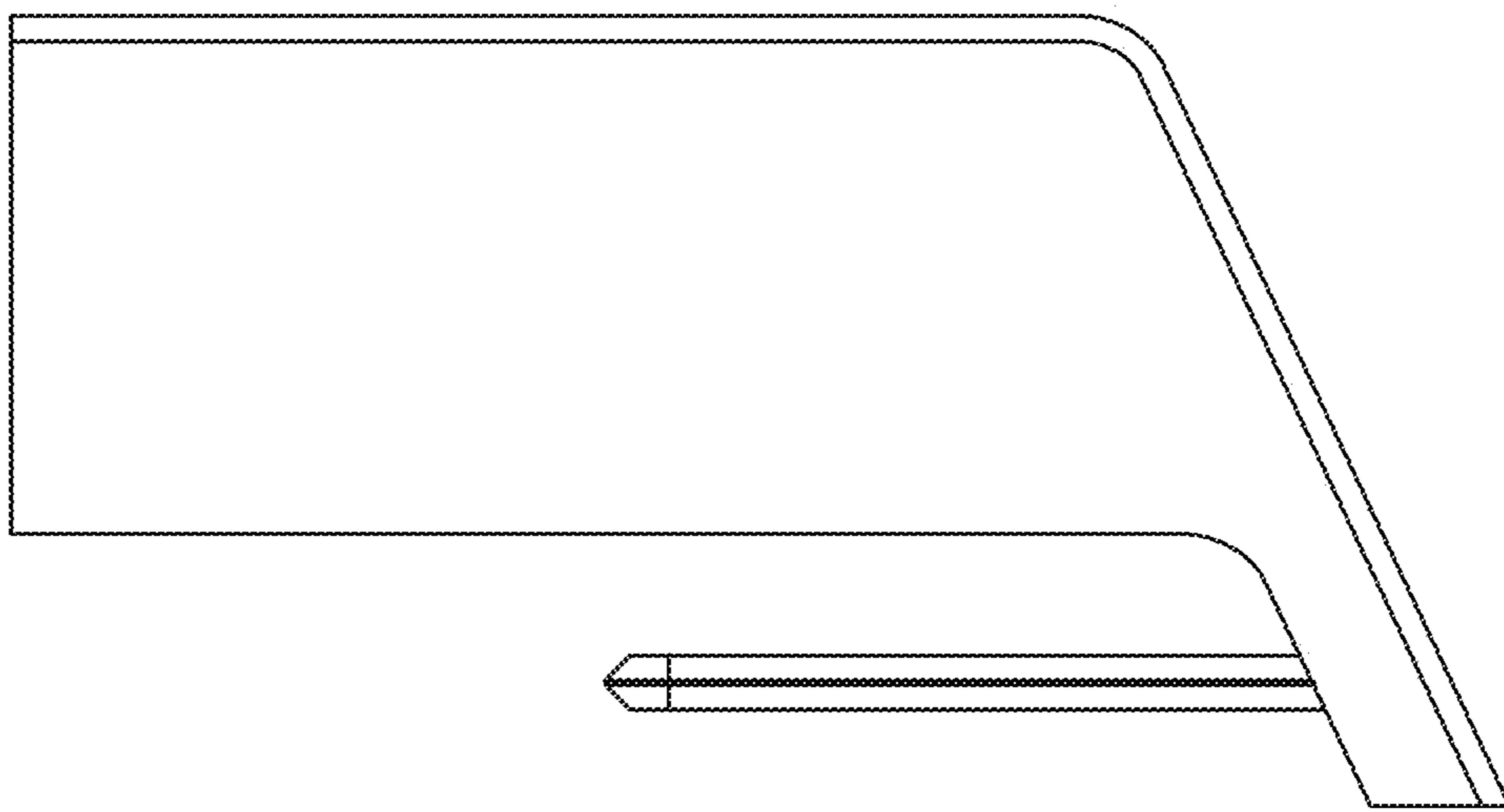


Fig. 5

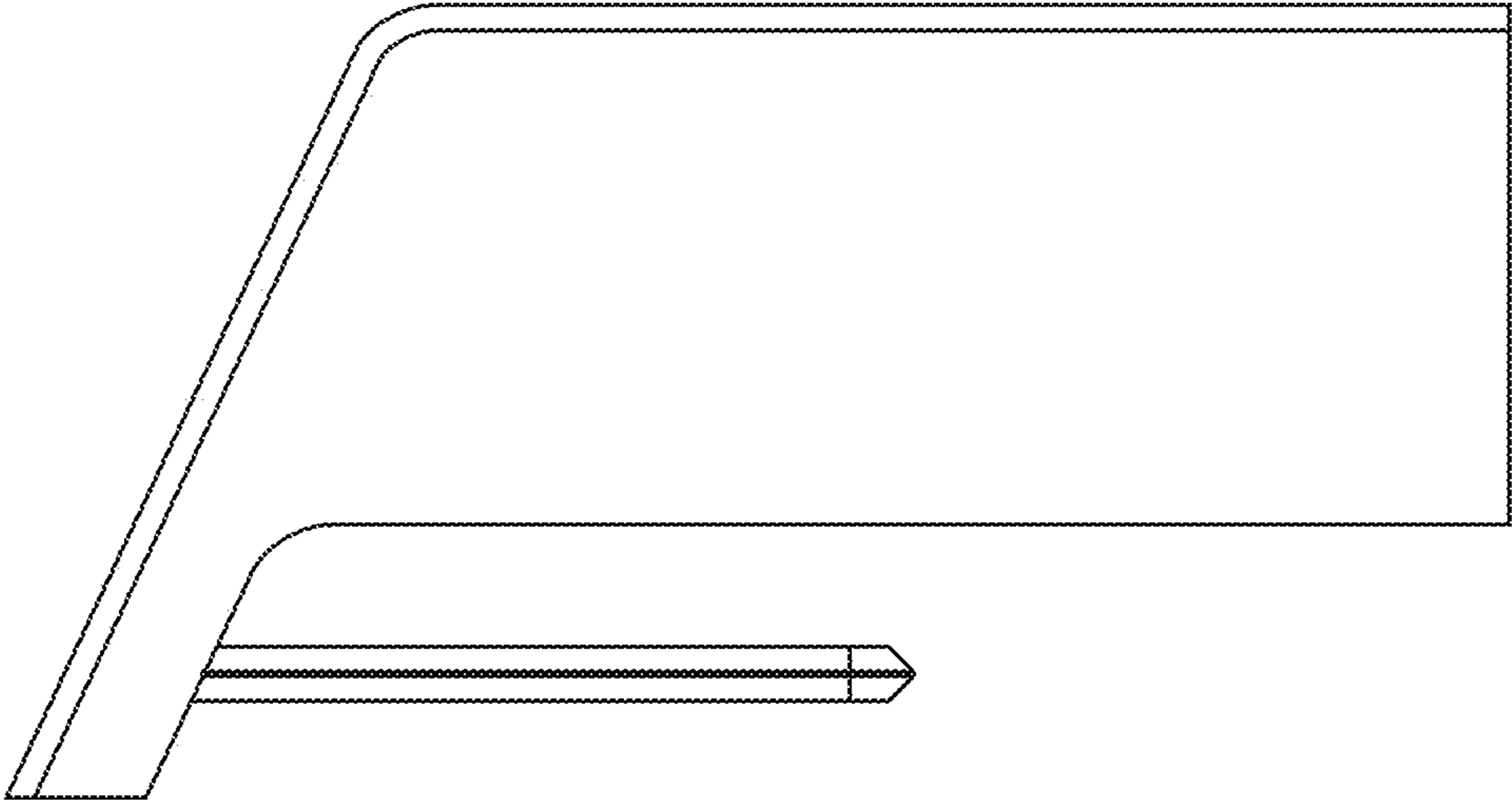


Fig. 6

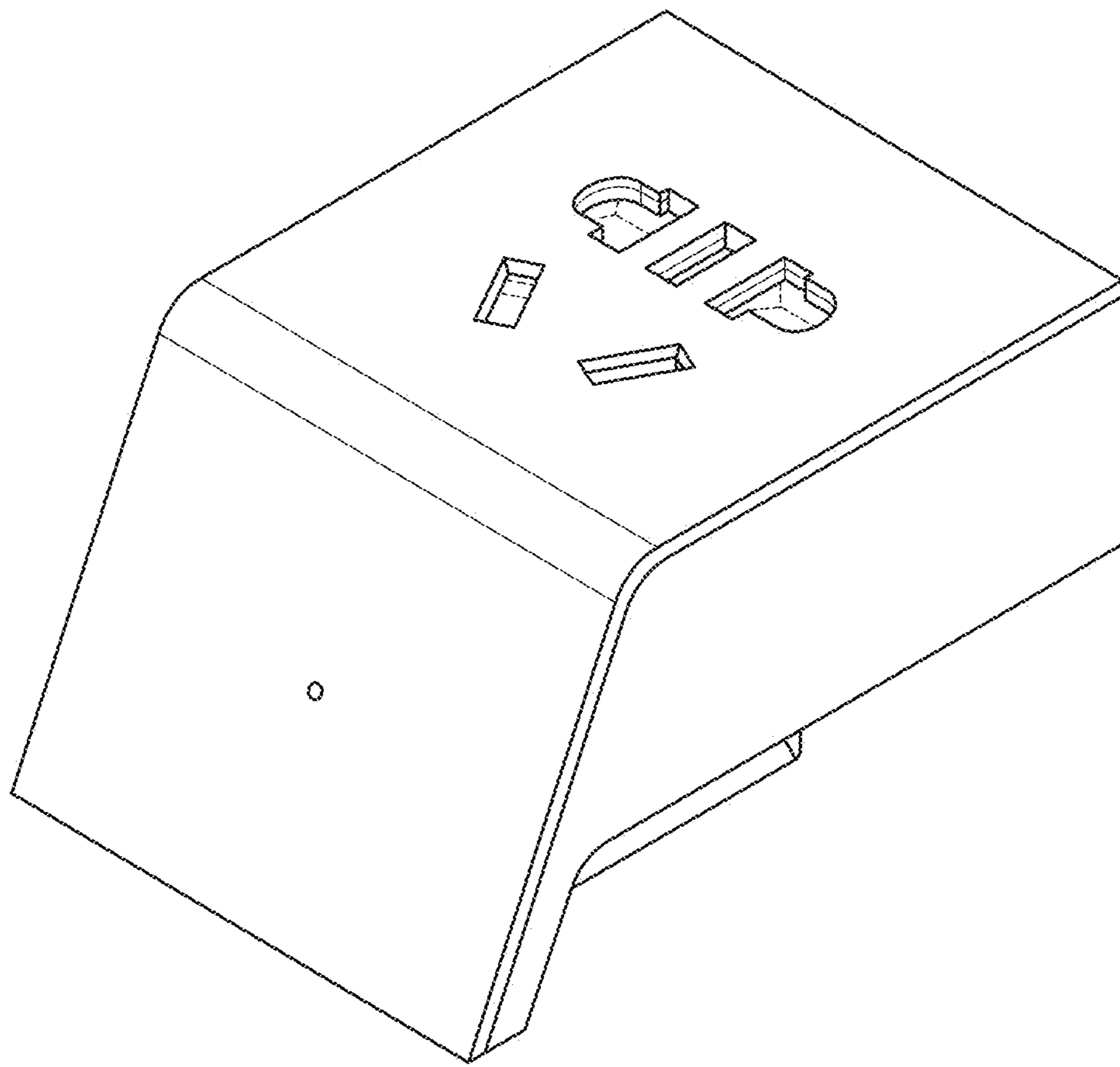


Fig. 7

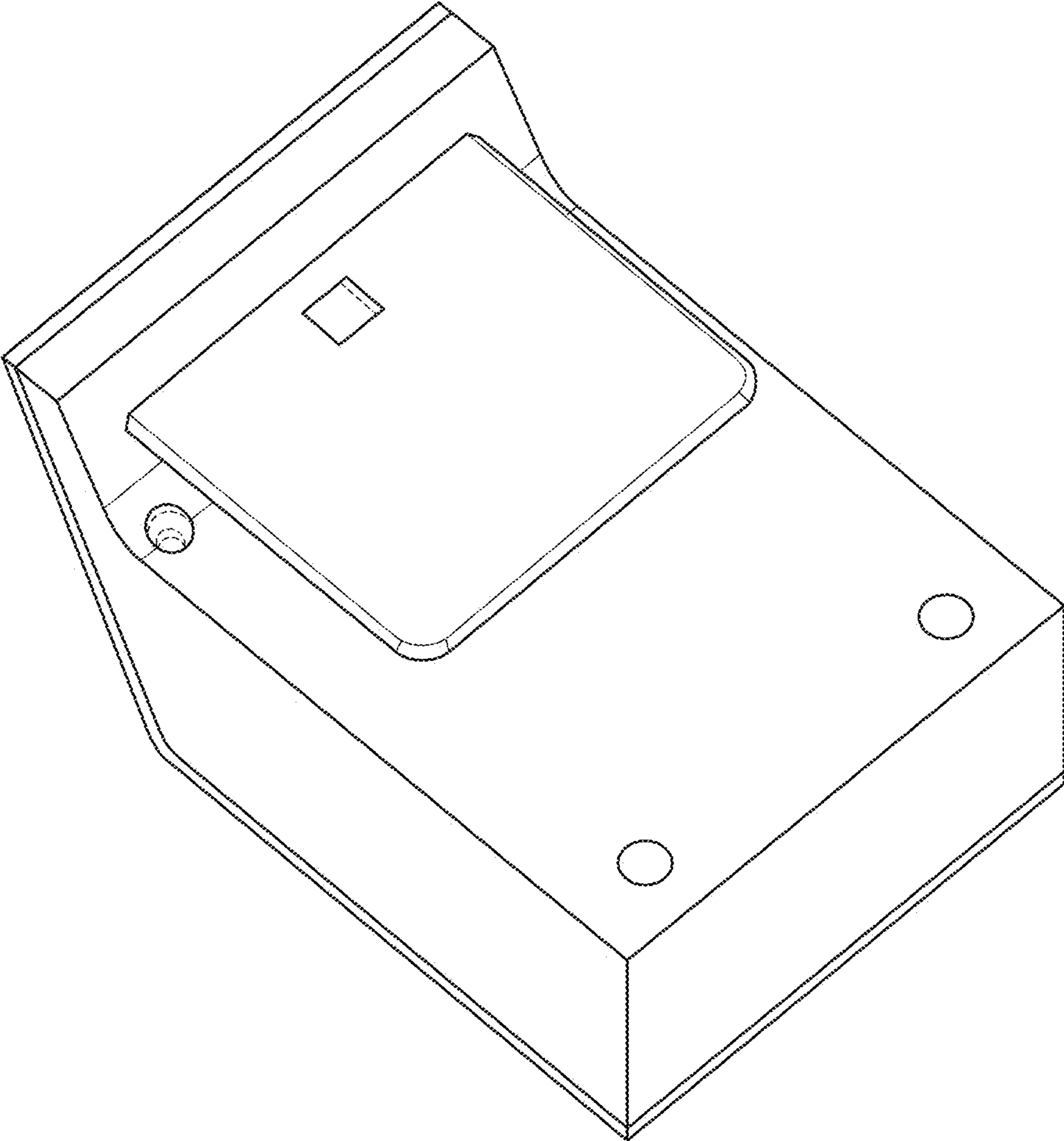


Fig. 8

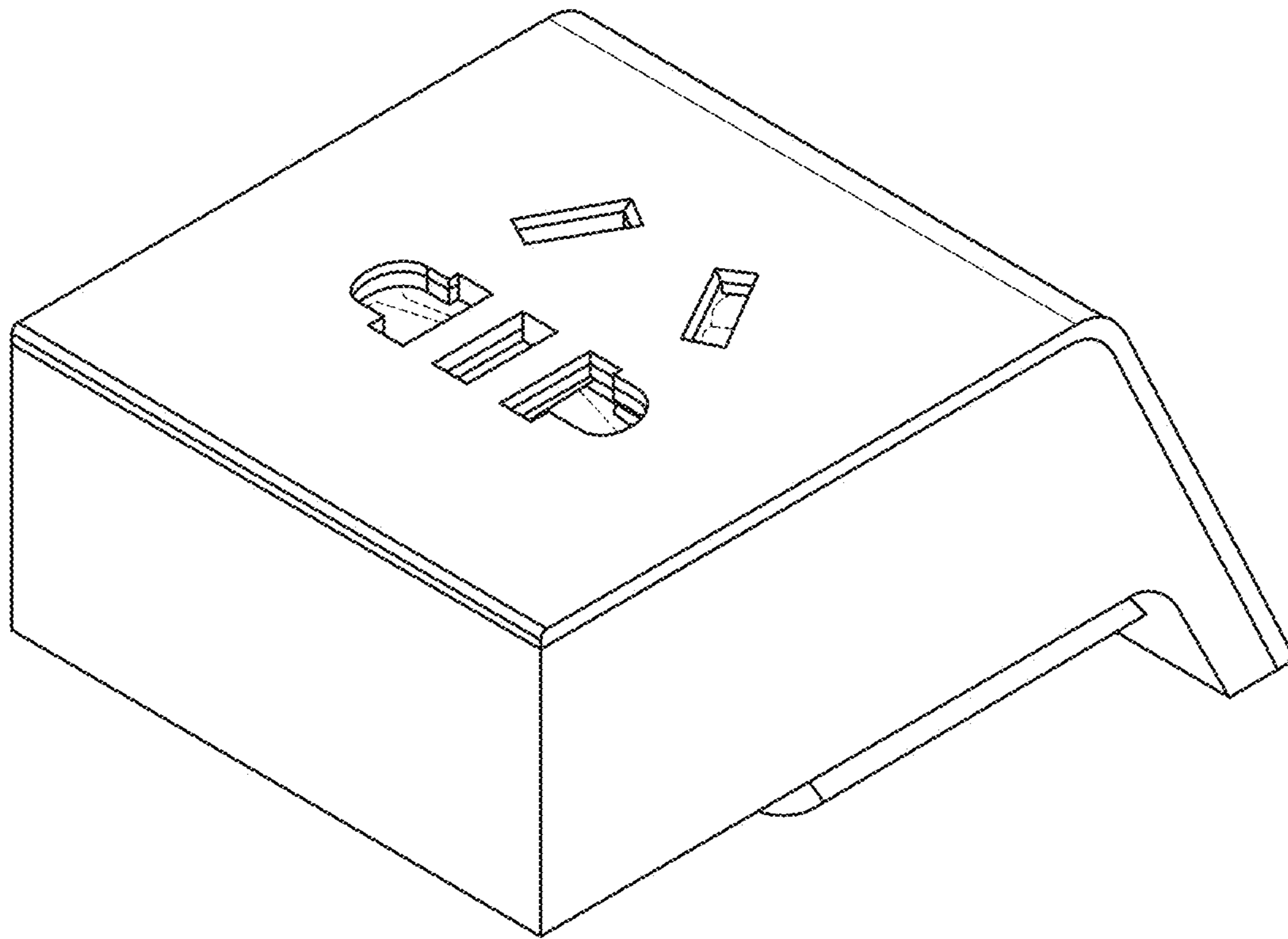


Fig. 9