



US00D871340S

(12) **United States Design Patent** (10) **Patent No.:** **US D871,340 S**
Barrefelt et al. (45) **Date of Patent:** **** Dec. 31, 2019**

(54) **MODULE LATCH ACTUATOR**

(56) **References Cited**

(71) Applicants: **TE CONNECTIVITY NEDERLAND B.V.**, 'S-Hertogenbosch (NL); **TYCO ELECTRONICS SVENSKA AB**, Upplands Väsby (SE); **TYCO ELECTRONICS (SHANGHAI) CO., LTD.**, Shanghai (CN)

U.S. PATENT DOCUMENTS

7,281,937 B2 10/2007 Reed et al.
7,534,125 B1 5/2009 Schroll
7,540,755 B1 6/2009 Wu
D645,405 S * 9/2011 Huss, Jr. D13/147
8,475,198 B2 7/2013 Wu
8,475,199 B2 7/2013 Wang et al.
8,740,637 B2 6/2014 Wang et al.
9,028,270 B1 * 5/2015 Vanderwoud H01R 13/6335
439/476.1

(72) Inventors: **Rickard Barrefelt**, Stockholm (SE); **Tekke Drijfhout**, Nistelrode (NL); **Johan Smits**, Biezenmortel (NL); **Zhicheng Zhang**, Kunshan (CN)

(Continued)

(73) Assignees: **TE Connectivity Nederland B.V.**, 'S-Hertogenbosch (NL); **Tyco Electronics Svenska AB**, Upplands Vasby (SE); **Tyco Electronics (Shanghai) Co., Ltd.**, Shanghai (CN)

FOREIGN PATENT DOCUMENTS

EP 2741377 A1 6/2014

(**) Term: **15 Years**

(21) Appl. No.: **29/555,478**

(22) Filed: **Feb. 22, 2016**

OTHER PUBLICATIONS

Extended European search report dated Jun. 15, 2016 for counterpart European application 16153472.2.

Primary Examiner — Angela J Lee
Assistant Examiner — Shawn T Gingrich

(57) **CLAIM**

The ornamental design for module latch actuator, as shown and described.

Related U.S. Application Data

(63) Continuation of application No. 14/832,787, filed on Aug. 21, 2015, now Pat. No. 9,601,868.

(51) **LOC (12) Cl.** **13-03**

(52) **U.S. Cl.**
USPC **D13/133**

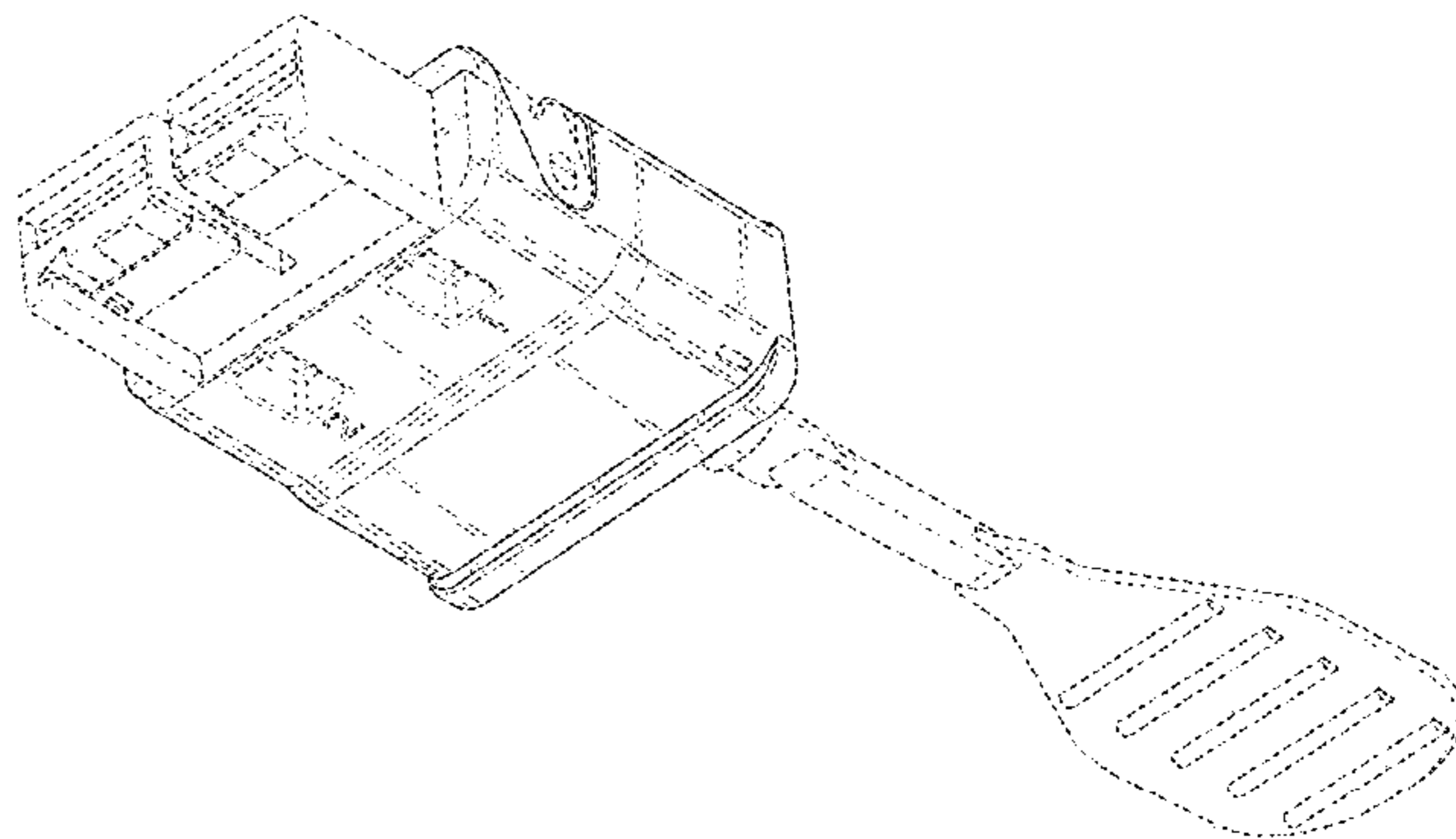
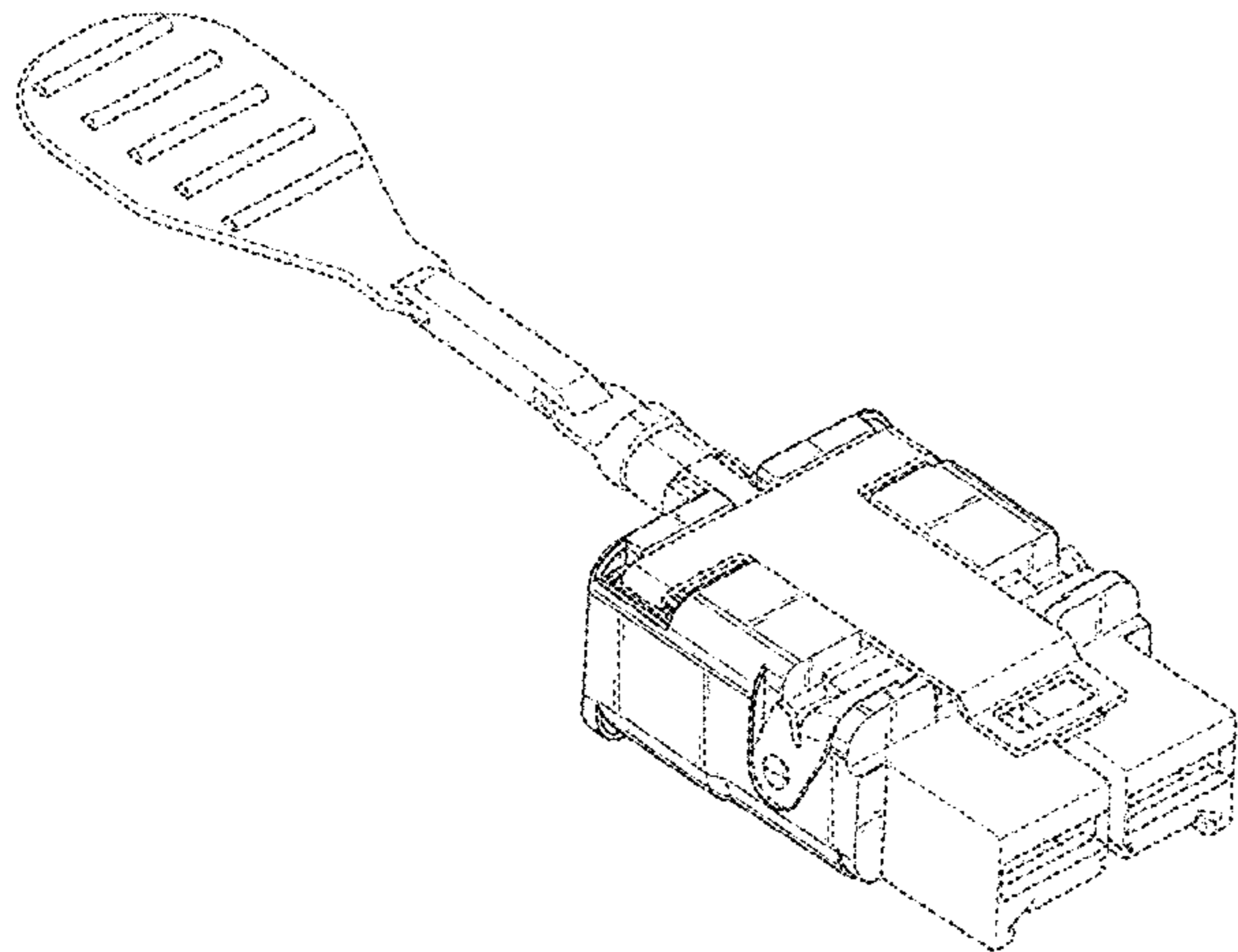
(58) **Field of Classification Search**
USPC D13/110, 112, 116, 118, 120, 122, 123, D13/133, 146, 147, 149, 154, 156, 173, D13/174, 177, 178, 184, 199
CPC H01R 11/00; H01R 11/01; H01R 13/62; H01R 13/627; H01R 13/629; H01R 13/633; H01R 13/707; H01R 27/02

See application file for complete search history.

DESCRIPTION

FIG. 1 is a top perspective view from the right side of a module latch actuator showing an embodiment of our new design;
FIG. 2 is a top perspective view from the left side thereof;
FIG. 3 is a bottom perspective view from the right side thereof;
FIG. 4 is a bottom perspective view from the left side thereof; and,
FIG. 5 is a view of the rear side thereof.
The broken lines in the figures represent unclaimed subject matter and form no part of the claimed design.

1 Claim, 5 Drawing Sheets



(56)

References Cited

U.S. PATENT DOCUMENTS

D734,726 S * 7/2015 Nook D13/149
D784,928 S * 4/2017 Armacost D13/146
9,806,471 B2 * 10/2017 Orris H01R 13/707
9,979,127 B2 * 5/2018 Zhang H01R 13/6335
D837,737 S * 1/2019 Li D13/146
2006/0189197 A1 8/2006 Reed et al.
2007/0243749 A1 10/2007 Wu
2010/0216325 A1 8/2010 Huang
2013/0344722 A1 * 12/2013 Lloyd H01R 13/6275
439/160
2015/0162709 A1 6/2015 Shen
2015/0333431 A1 * 11/2015 Gerwatowski H01R 13/44
439/141
2016/0072214 A1 * 3/2016 Shi H01R 13/2442
439/660
2016/0233612 A1 * 8/2016 Barrefelt H01R 13/6272
2016/0359273 A1 * 12/2016 Tanaka H01R 13/6335
2016/0372872 A1 * 12/2016 Orris H01R 13/707
2017/0194741 A1 * 7/2017 Zhang H01R 13/62938
2017/0324192 A1 * 11/2017 Chevreau H01R 13/6275

* cited by examiner

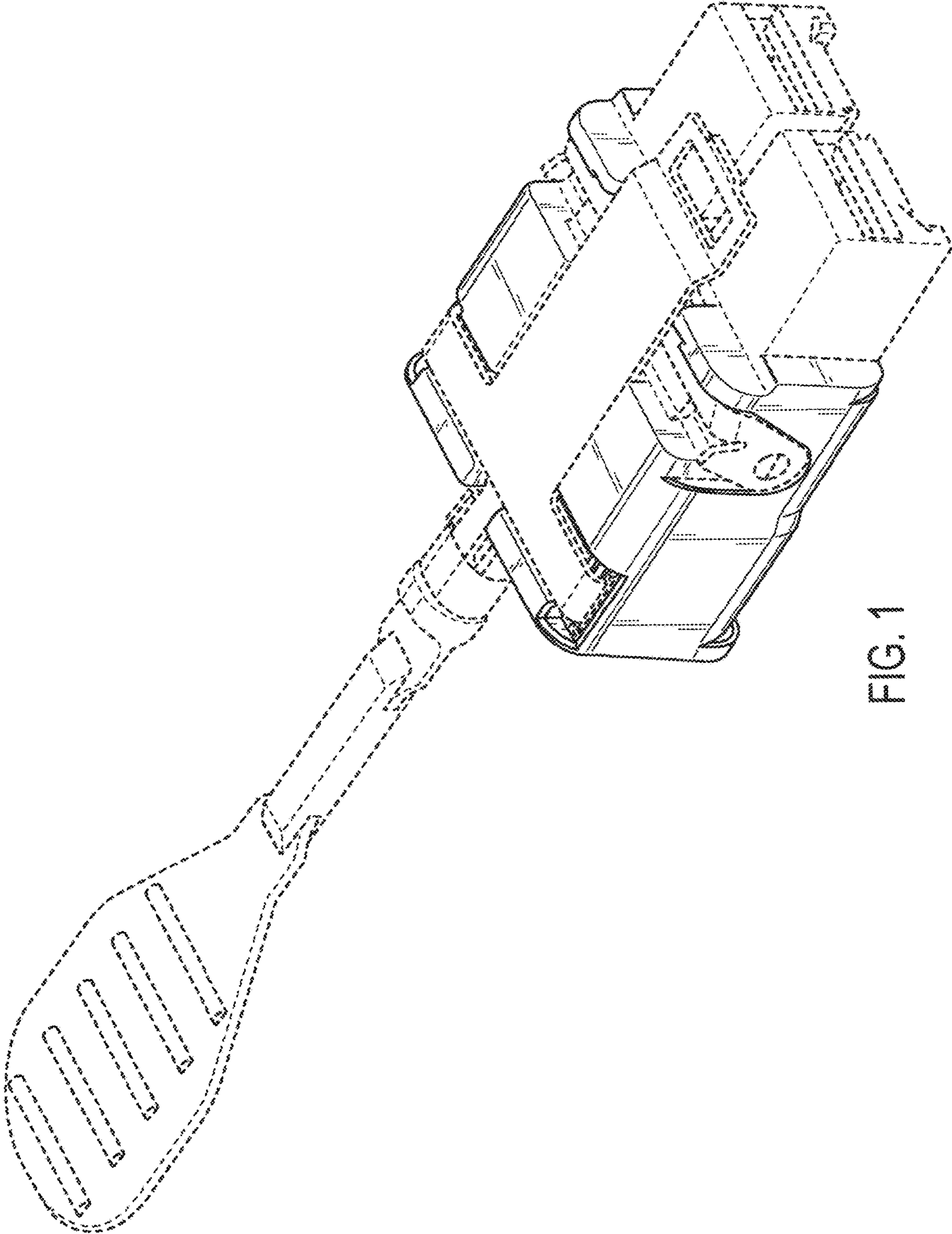


FIG. 1

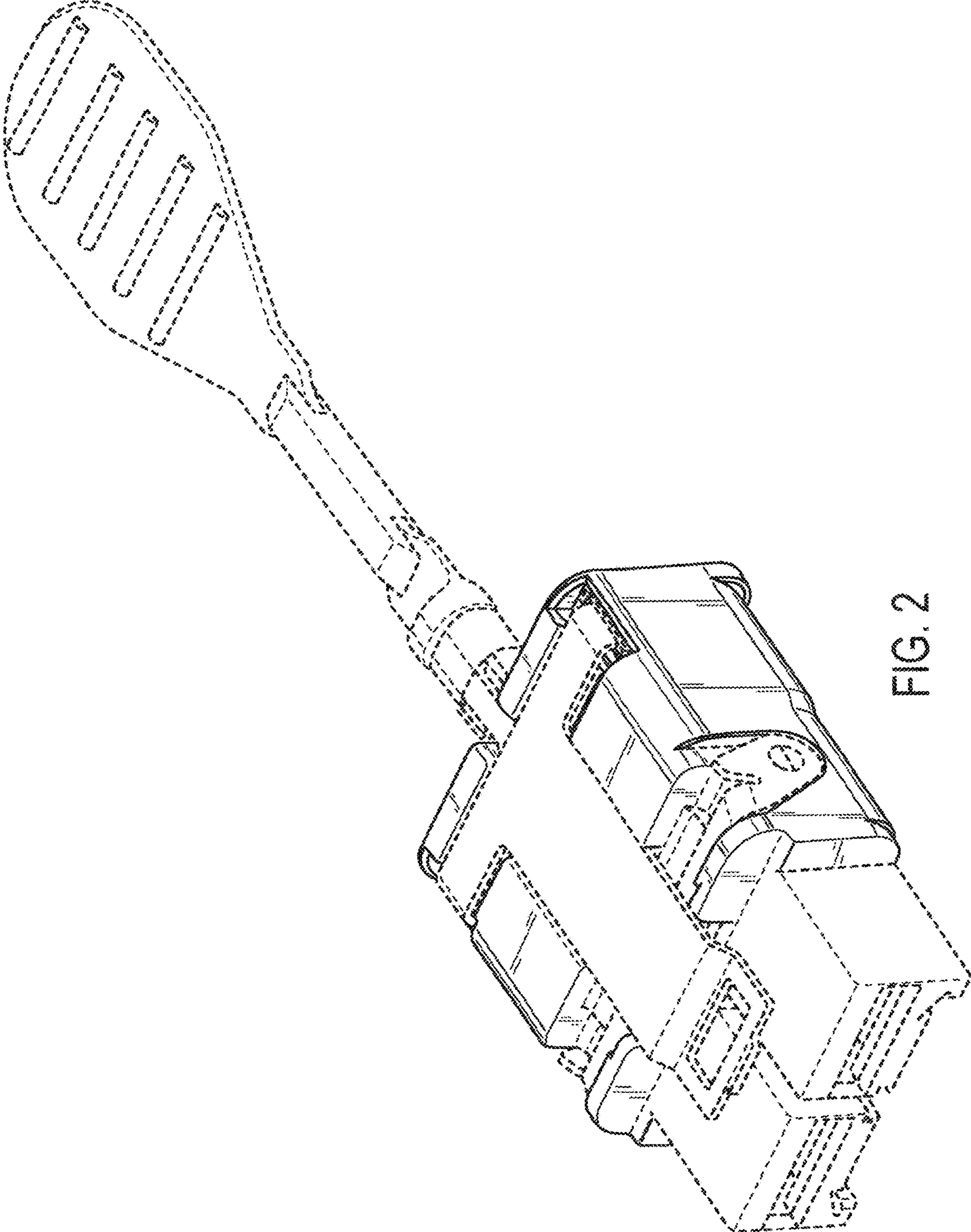


FIG. 2

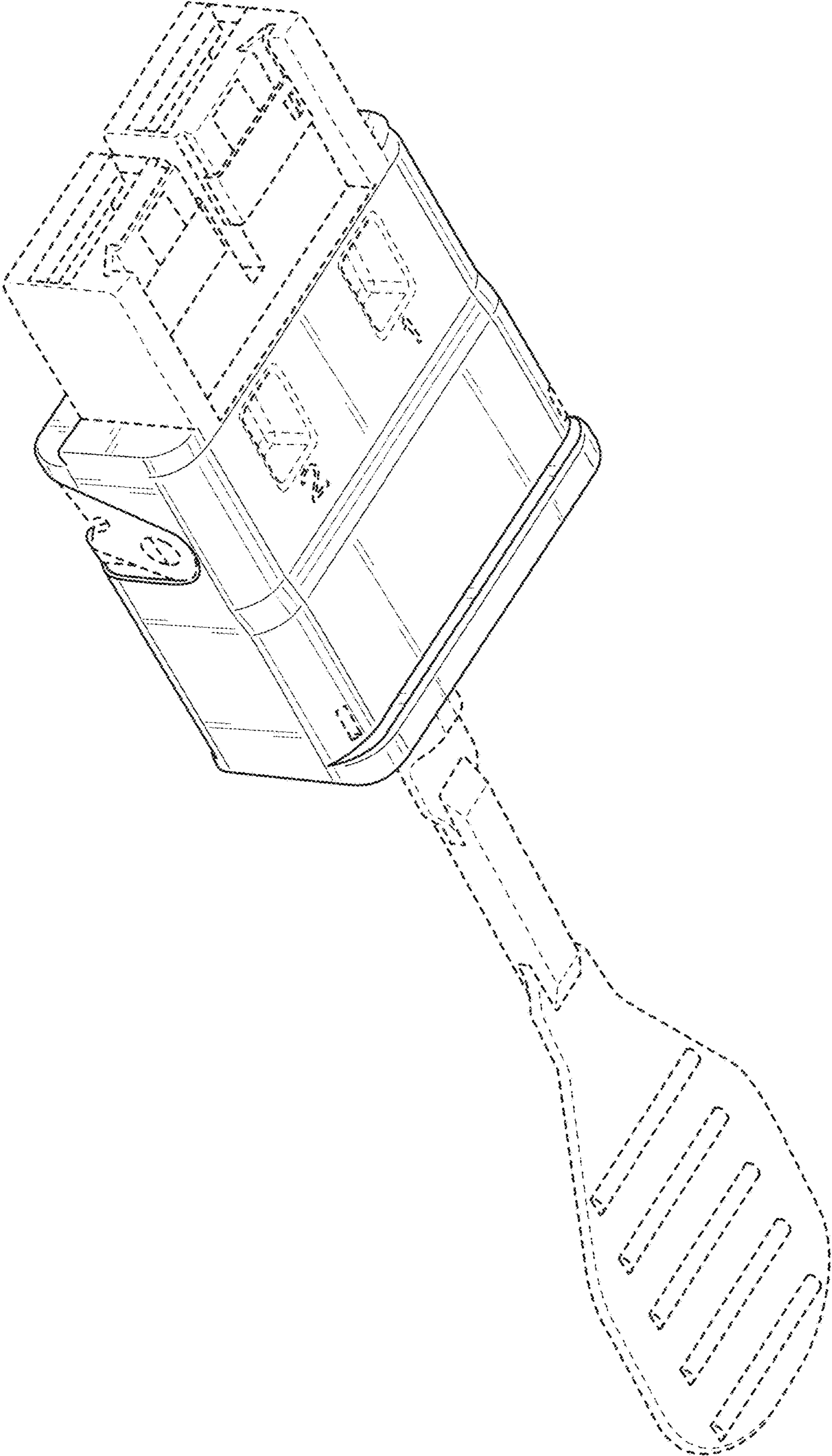


FIG. 3

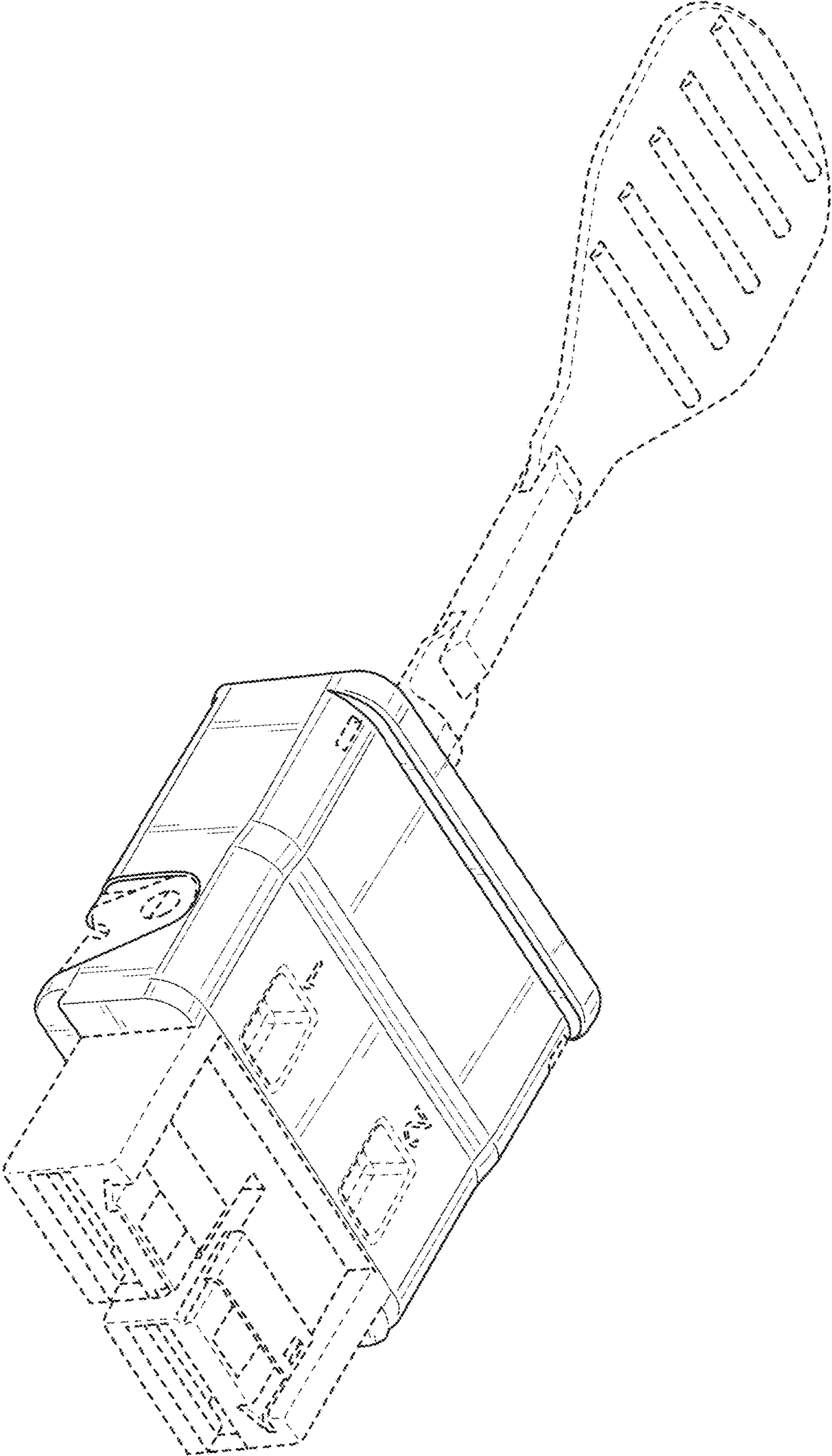


FIG. 4

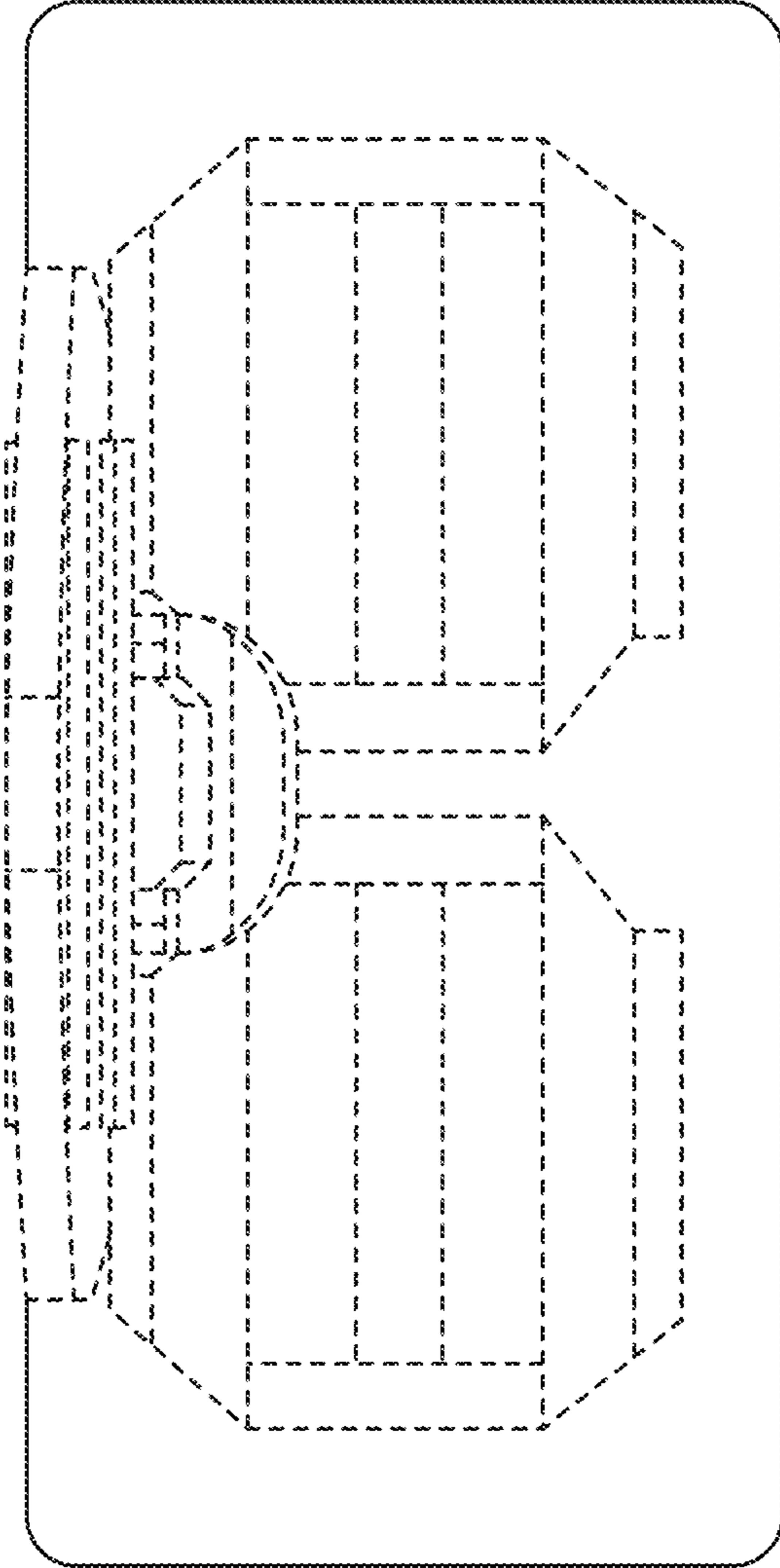


FIG. 5