



US00D871337S

(12) **United States Design Patent** (10) **Patent No.:** **US D871,337 S**
Nagasawa et al. (45) **Date of Patent:** **** Dec. 31, 2019**

(54) **ENGINE GENERATOR**

(56) **References Cited**

(71) Applicant: **YAMAHA MOTOR POWER PRODUCTS KABUSHIKI KAISHA**, Shizuoka-ken (JP)

U.S. PATENT DOCUMENTS

(72) Inventors: **Yuki Nagasawa**, Shizuoka-ken (JP); **Yuma Katsuda**, Shizuoka-ken (JP)

6,091,160	A	*	7/2000	Kouchi	F02B 63/04
						290/1 A
D474,738	S	*	5/2003	Ishii	D13/110
D477,569	S	*	7/2003	Iwatate	D13/116
D486,446	S	*	2/2004	Hriscu	D13/110
D650,739	S	*	12/2011	Cai	D13/116
D668,608	S	*	10/2012	Itoh	D13/116
D694,704	S	*	12/2013	Cottle	D13/107
D712,823	S	*	9/2014	Lin	D13/102
D794,562	S	*	8/2017	Markoski	D13/112
2004/0004356	A1	*	1/2004	Akimoto	F02B 63/04
						290/1 B

(73) Assignee: **YAMAHA MOTOR POWER PRODUCTS KABUSHIKI KAISHA** (JP)

(**) Term: **15 Years**

(21) Appl. No.: **29/638,599**

* cited by examiner

(22) Filed: **Feb. 28, 2018**

Primary Examiner — Derrick E Holland

(30) **Foreign Application Priority Data**

(74) *Attorney, Agent, or Firm* — Ostrolenk Faber LLP

Aug. 31, 2017 (JP) 2017-018780

(51) **LOC (12) Cl.** **13-01**

(57) **CLAIM**

(52) **U.S. Cl.**
USPC **D13/116**

The ornamental design for an engine generator, as shown.

(58) **Field of Classification Search**

DESCRIPTION

USPC D13/101, 102, 103, 107, 108, 109, 110, D13/112, 113, 114, 116, 119, 122, 184, D13/199
CPC H01M 10/44; H01M 10/46; H01M 10/425; Y02B 10/12; Y02B 10/20; Y02B 10/24; H02J 7/34; H02J 7/35; H02J 7/42; H02J 7/44; H02J 7/54; H02J 7/0003; Y02T 90/122; Y02T 90/128; Y02T 90/163; F02B 63/04; F02B 63/048; F02B 75/16; F02B 2063/046

FIG. 1 is a right side, top, front, perspective view of an engine generator showing our new design;
FIG. 2 is a left side, top, rear perspective view thereof;
FIG. 3 is a front view thereof;
FIG. 4 is a rear view thereof;
FIG. 5 is a left side view thereof;
FIG. 6 is a right side view thereof;
FIG. 7 is a top view thereof; and,
FIG. 8 is a bottom view thereof.

See application file for complete search history.

1 Claim, 8 Drawing Sheets

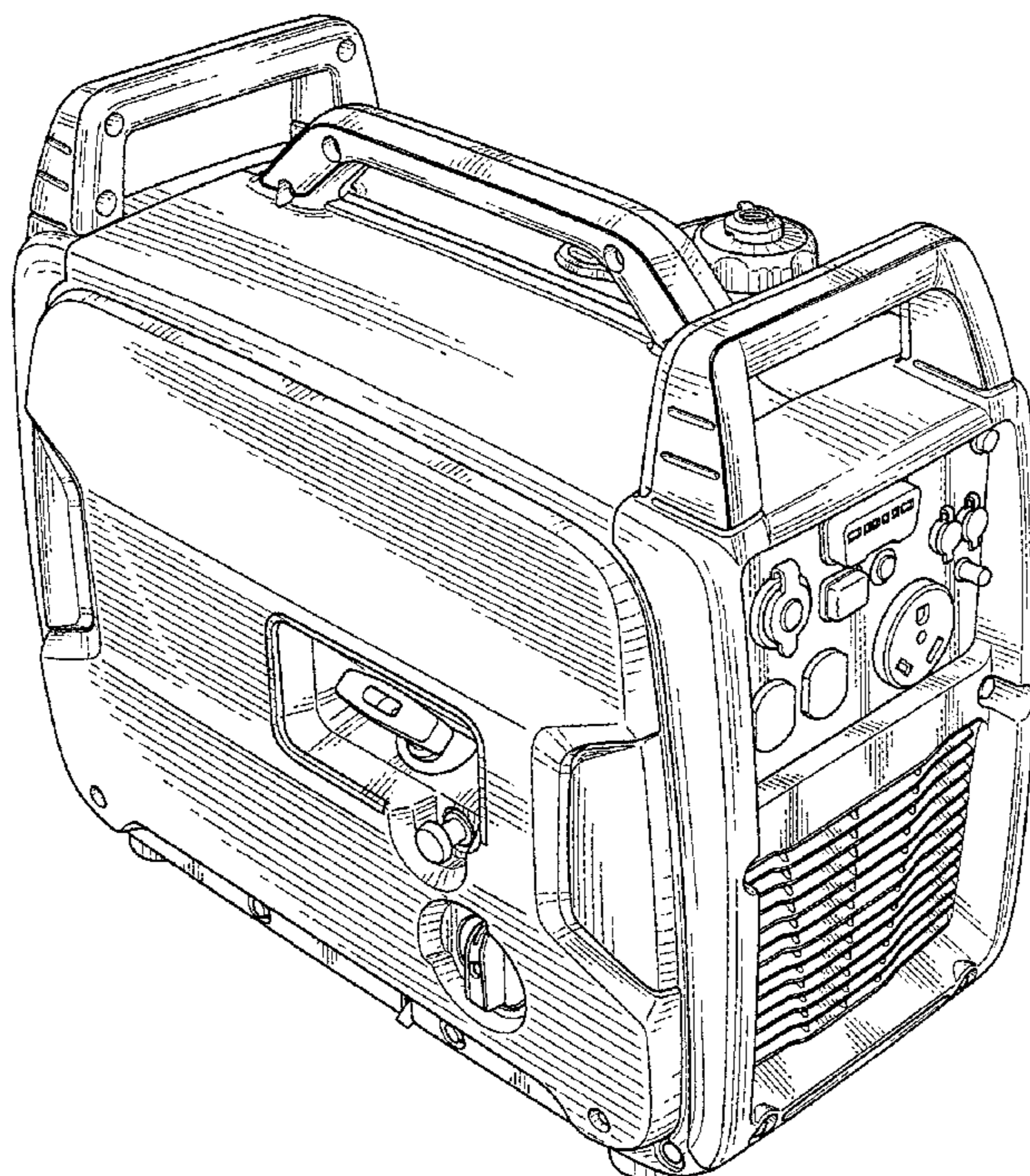


FIG. 1

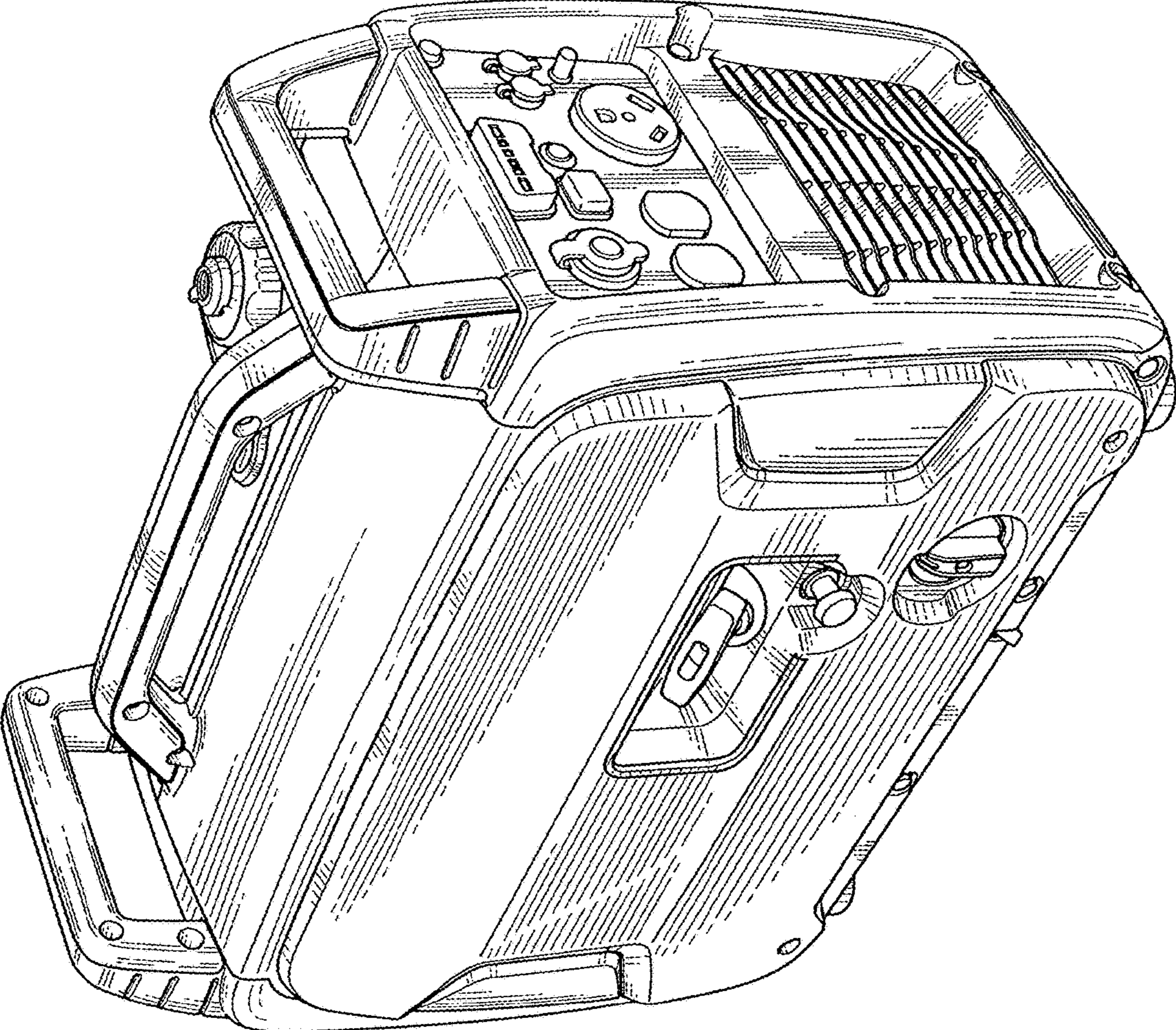


FIG. 2

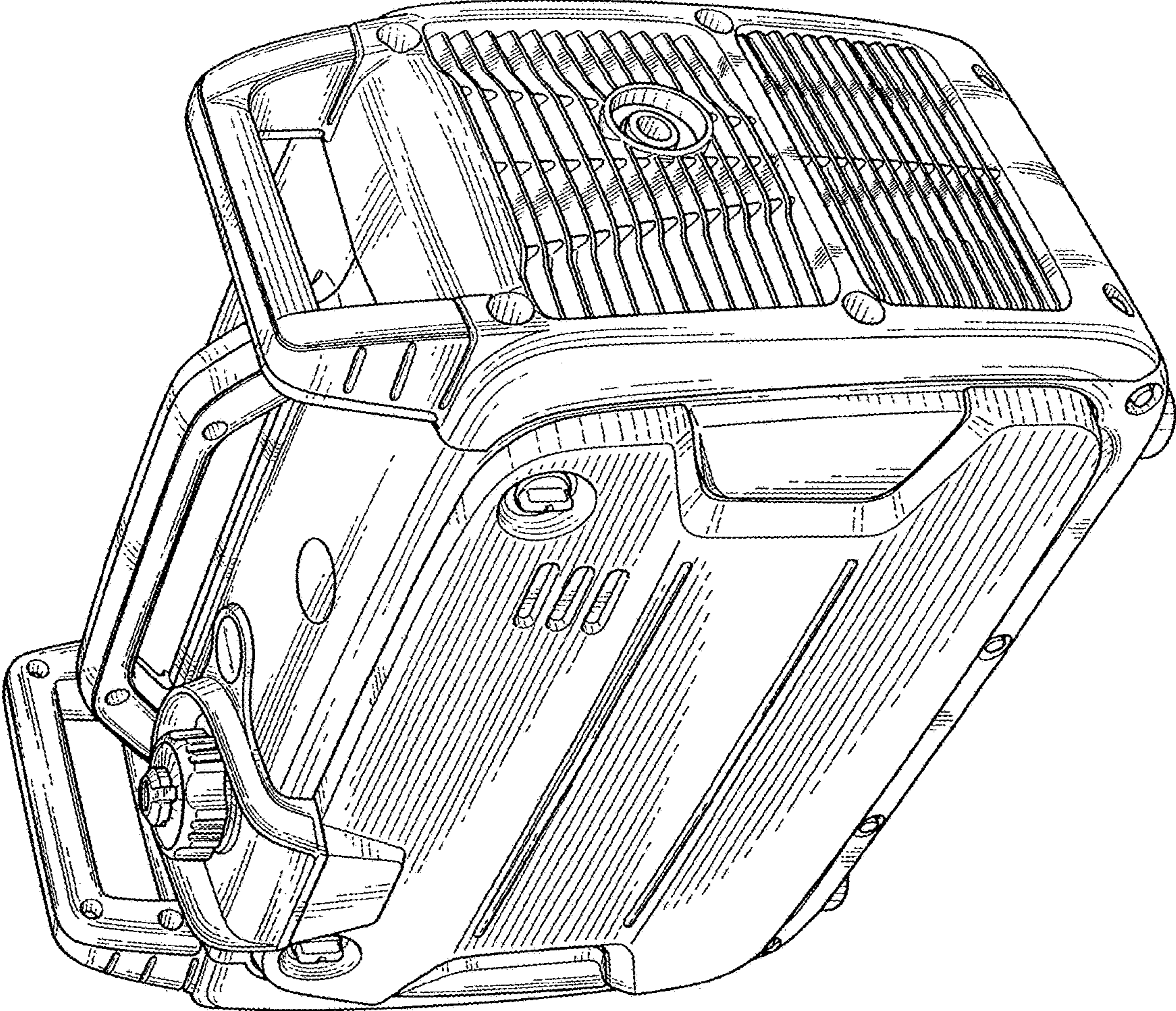


FIG. 3

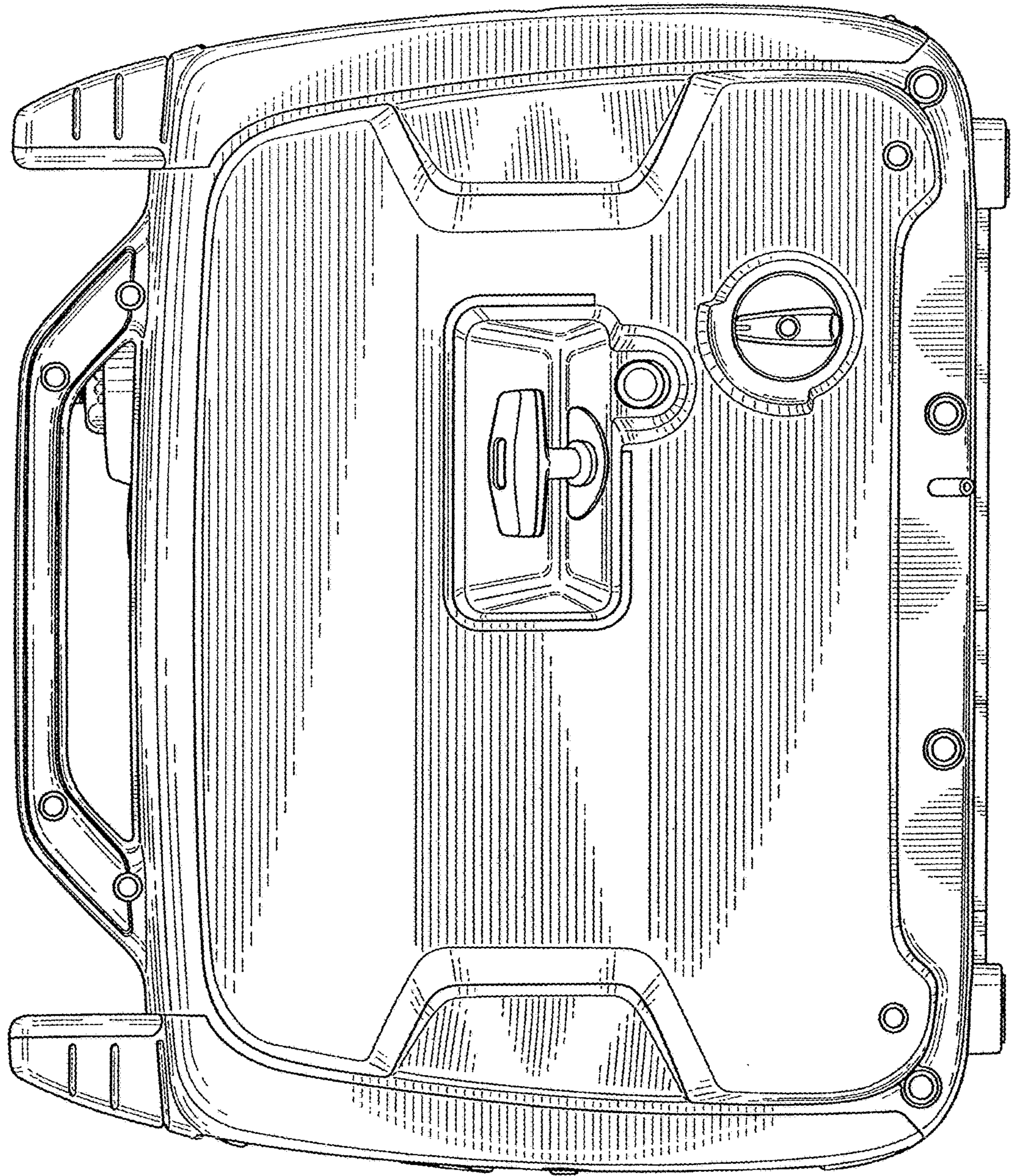


FIG. 4

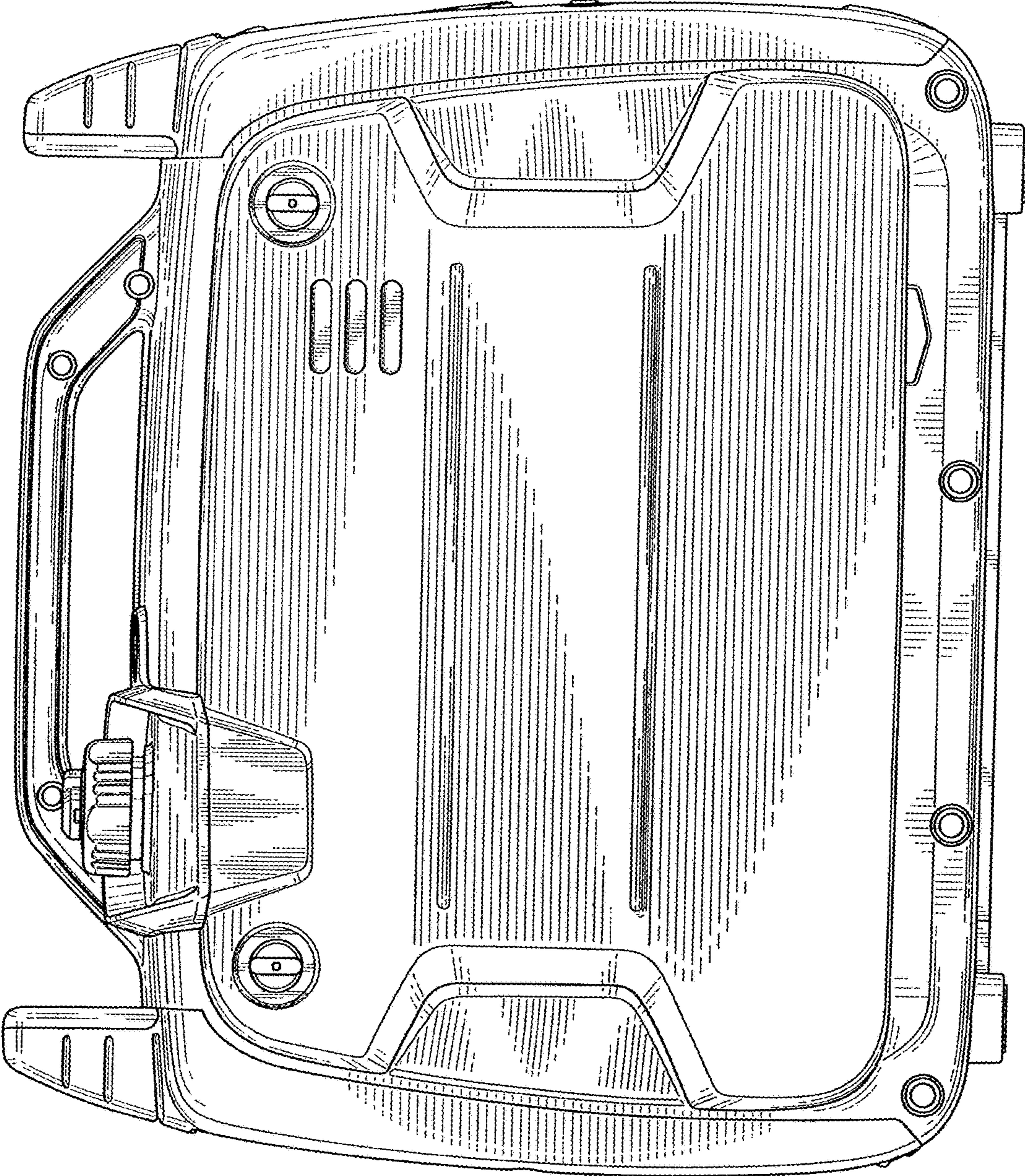


FIG. 5

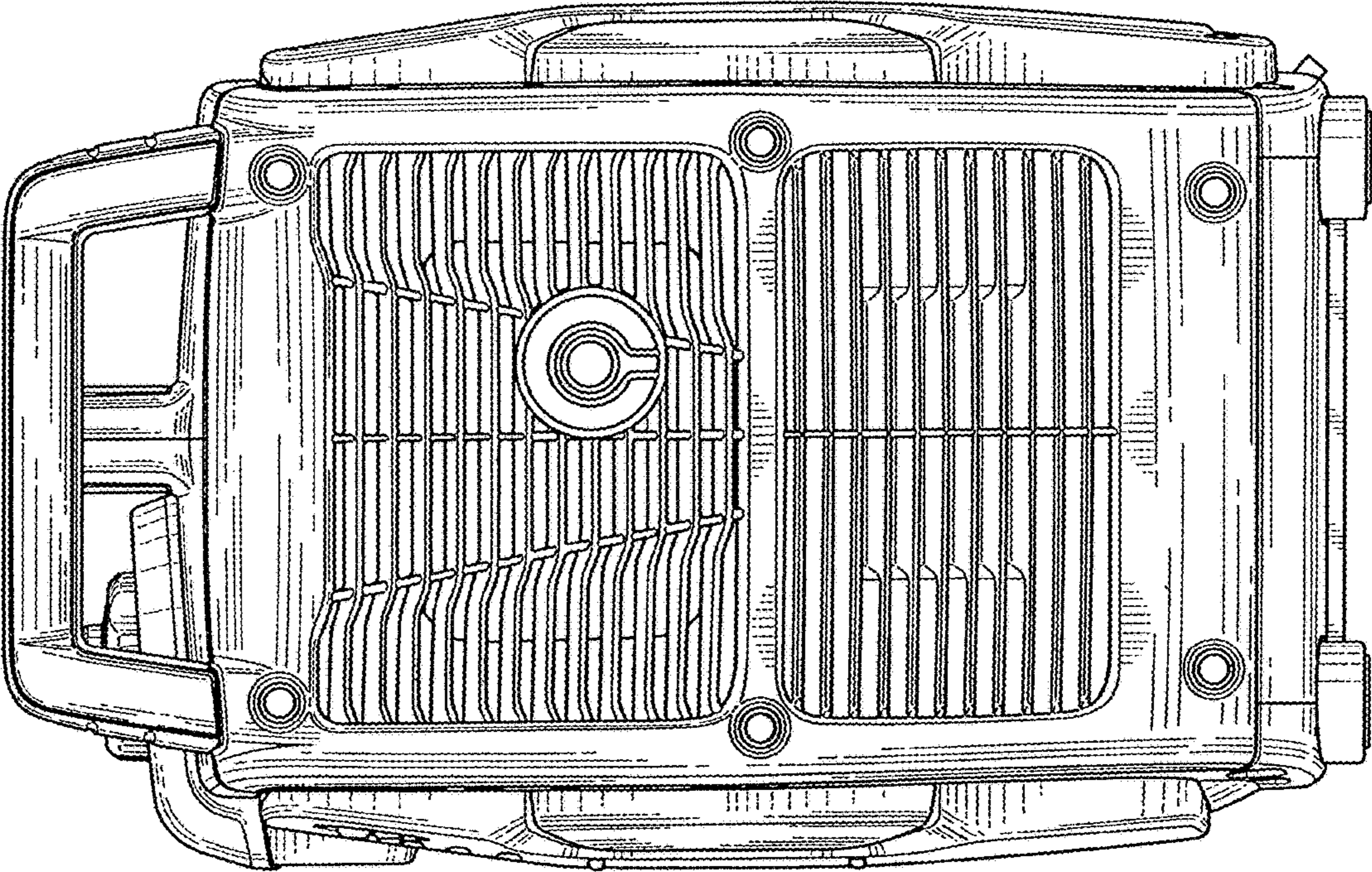


FIG. 6

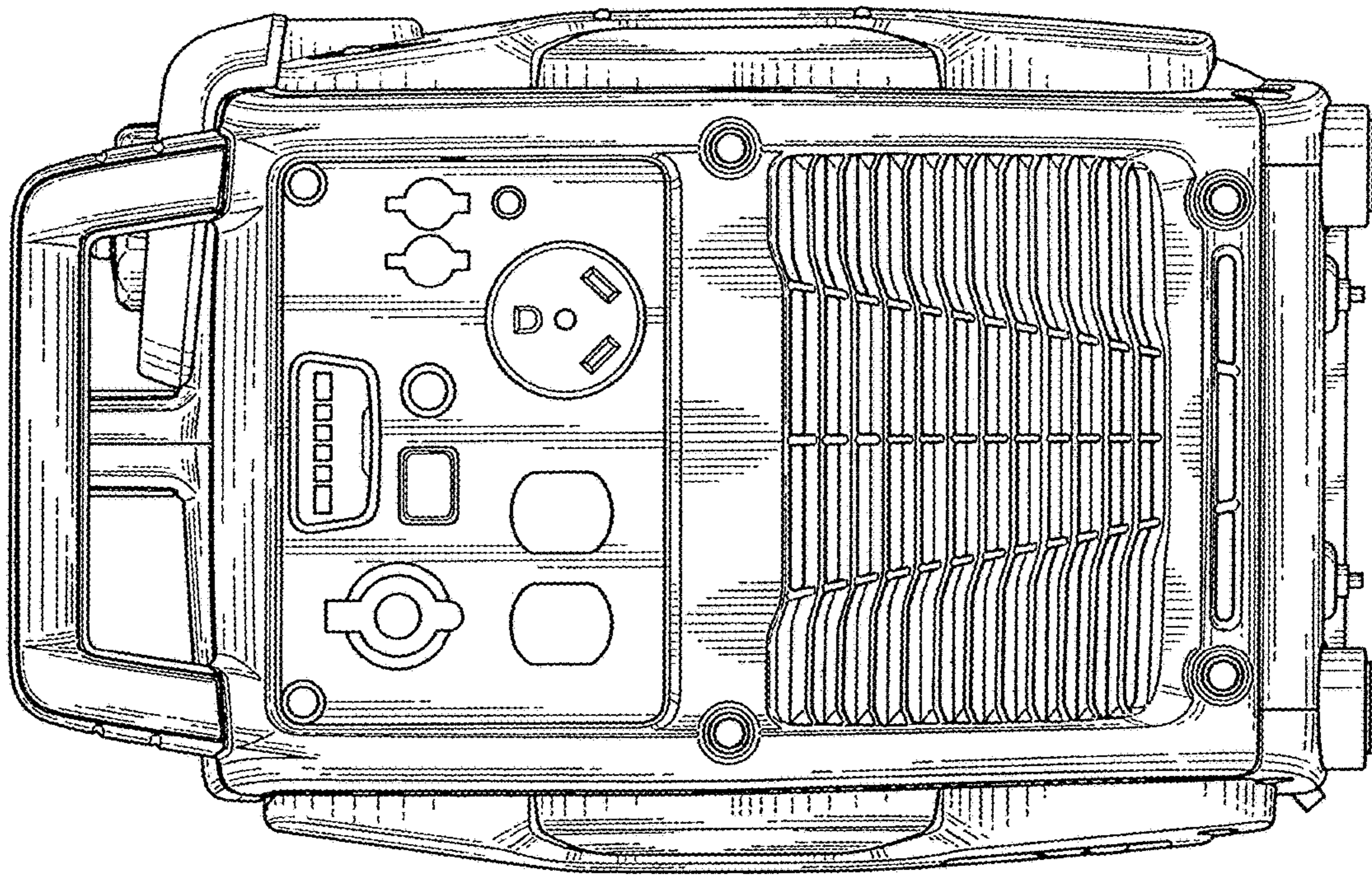


FIG. 7

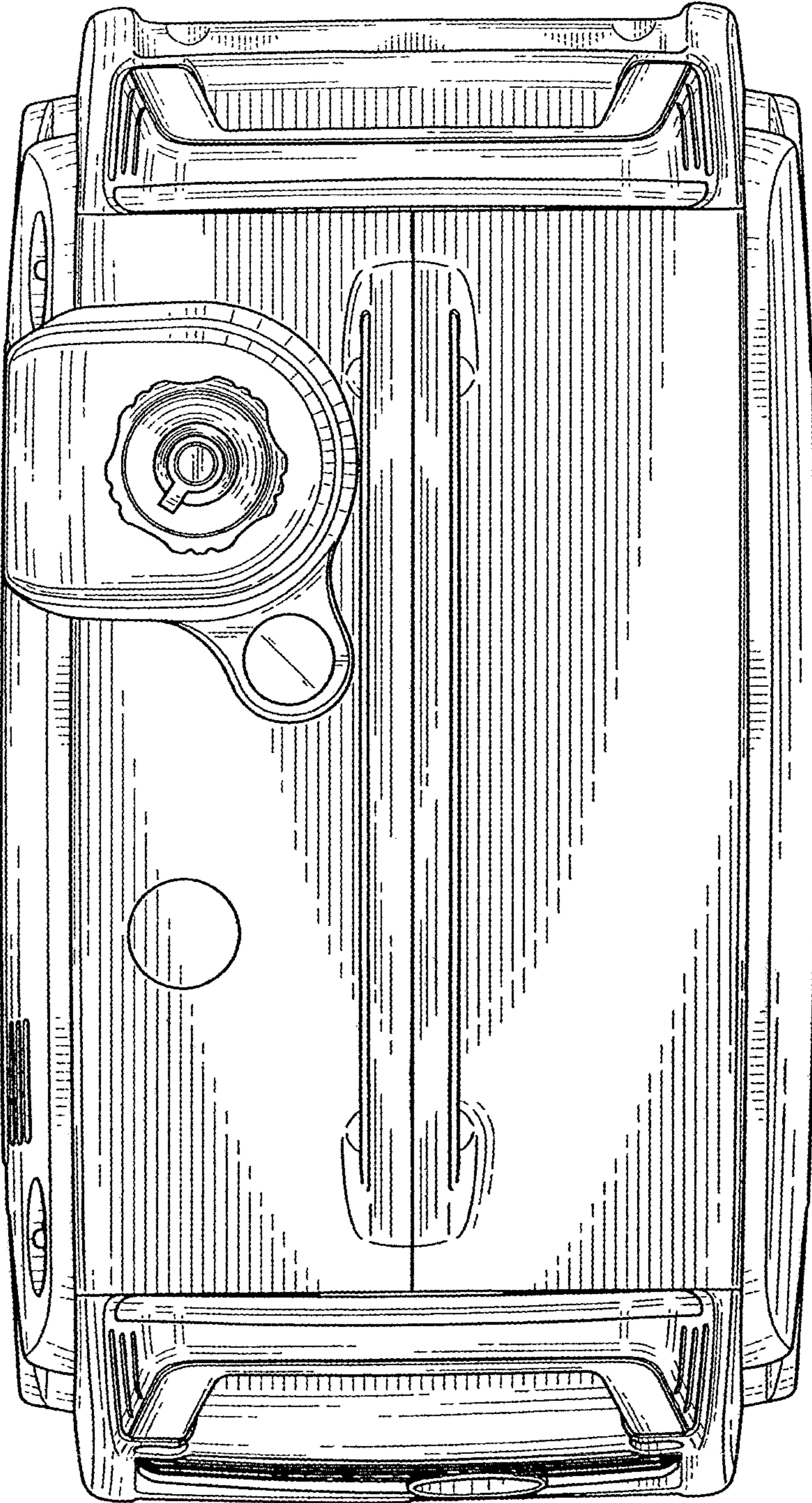


FIG. 8

