



US00D871336S

(12) **United States Design Patent** (10) **Patent No.:** **US D871,336 S**
Gillett et al. (45) **Date of Patent:** **** Dec. 31, 2019**

(54) **GENERATOR SET HOUSING**

(71) Applicant: **Cummins Power Generation IP, Inc.**,
Minneapolis, MN (US)

(72) Inventors: **Daniel D. Gillett**, Mounds View, MN
(US); **Leo Steffl**, Plymouth, MN (US);
Randy Wehrenberg, Ramsey, MN
(US)

(73) Assignee: **Cummins Power Generation IP, Inc.**,
Minneapolis, MN (US)

(**) Term: **15 Years**

(21) Appl. No.: **29/674,963**

(22) Filed: **Dec. 27, 2018**

Related U.S. Application Data

(62) Division of application No. 29/577,994, filed on Sep.
16, 2016, now Pat. No. Des. 840,337.

(51) **LOC (12) Cl.** **13-02**

(52) **U.S. Cl.**
USPC **D13/112**

(58) **Field of Classification Search**
USPC D13/112, 118, 110, 116, 114
CPC F02B 63/04; F02B 63/042; H02K 7/1815
See application file for complete search history.

(56) **References Cited**

U.S. PATENT DOCUMENTS

D226,011 S	1/1973	Urquhart
D266,235 S	9/1982	Hughes
D339,101 S	9/1993	Delamoreaux et al.
5,899,174 A	5/1999	Anderson et al.
D503,381 S	3/2005	Mizokami et al.
D511,139 S	11/2005	Xiao
D537,035 S	2/2007	Tomoe
D638,795 S	5/2011	Bechtel

(Continued)

OTHER PUBLICATIONS

Cummins Rocky Mountain posted by City of Corn posted date Aug.
29, 2017, YouTube, [online],[site visited Nov. 7, 2017]. Available
from Internet, <https://www.youtube.com/watch?v=THgmOx92jsc> (Year:
2017).

(Continued)

Primary Examiner — Garth Rademaker

Assistant Examiner — Laura H Yu

(74) *Attorney, Agent, or Firm* — Foley & Lardner LLP

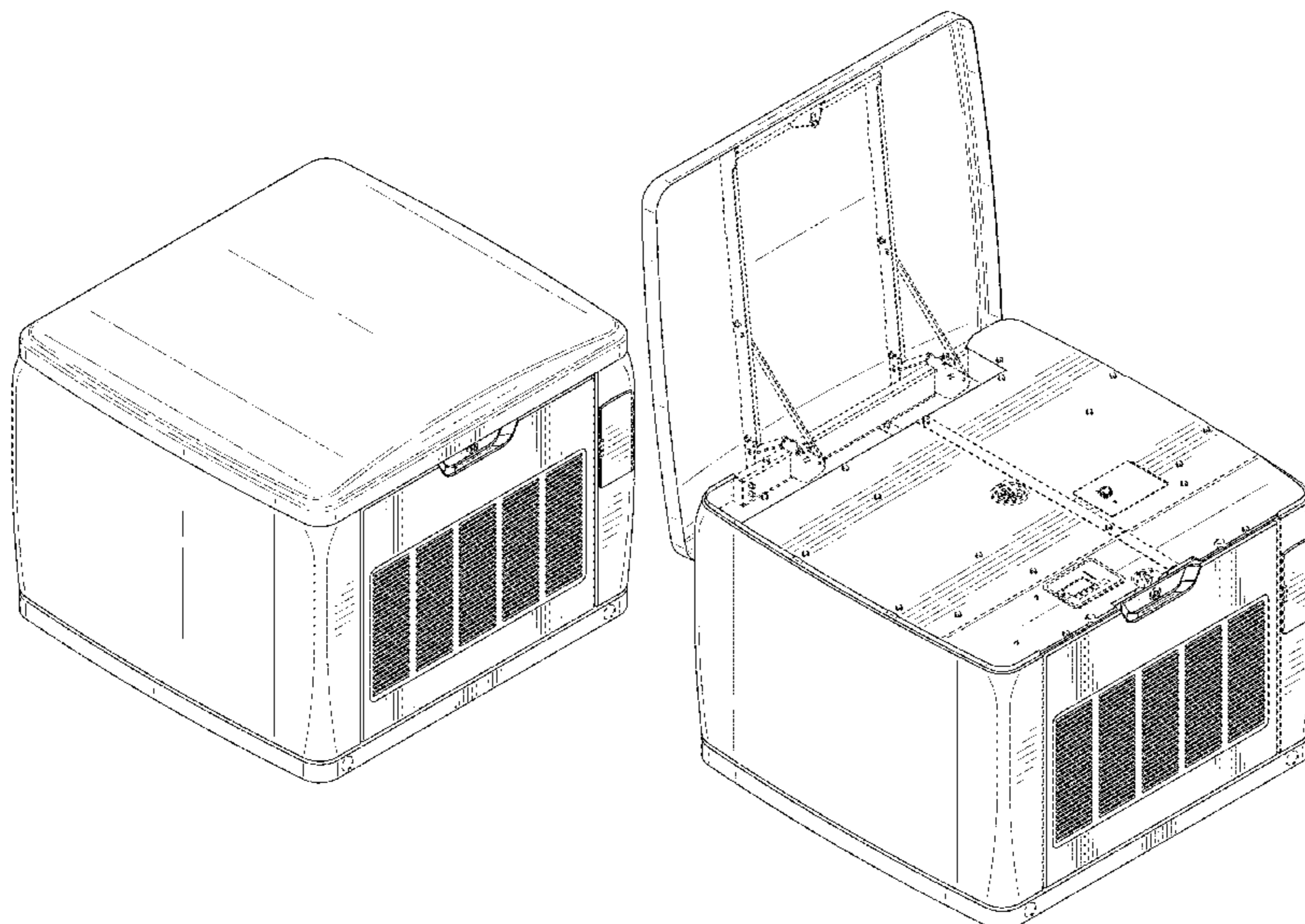
(57) **CLAIM**

We claim the ornamental design for a generator set housing,
as shown and described.

DESCRIPTION

FIG. 1 is a top, front, left isometric view of a first embodi-
ment of a generator set housing showing our new design;
FIG. 2 is a top, rear, right isometric view thereof;
FIG. 3 is a top plan view thereof;
FIG. 4 is a bottom plan view thereof;
FIG. 5 is a front elevational view thereof;
FIG. 6 is a rear elevational view thereof;
FIG. 7 is a right side elevational view thereof;
FIG. 8 is a left side elevational view thereof;
FIG. 9 is a top, front, left isometric view of a second
embodiment of a generator set housing;
FIG. 10 is a top, rear, right isometric view thereof;
FIG. 11 is a top plan view thereof;
FIG. 12 is a bottom plan view thereof;
FIG. 13 is a front elevational view thereof;
FIG. 14 is a rear elevational view thereof;
FIG. 15 is a right side elevational view thereof; and,
FIG. 16 is a left side elevational view thereof.
The broken lines in the figures illustrate portions of the
generator set housing that form no part of the claimed
design.

1 Claim, 16 Drawing Sheets



(56)

References Cited

U.S. PATENT DOCUMENTS

D662,055	S	6/2012	Little et al.	
D696,196	S	12/2013	Plato et al.	
D761,731	S	7/2016	Matthews et al.	
D777,668	S	1/2017	Lin	
9,755,480	B2	9/2017	Janscha et al.	
D840,337	S *	2/2019	Gillett	D13/112
2011/0204651	A1	8/2011	Nishimura et al.	
2013/0187392	A1	7/2013	Janscha et al.	
2015/0181735	A1	6/2015	Wilson et al.	
2017/0204783	A1	7/2017	Du et al.	

OTHER PUBLICATIONS

Generator posted by Generac posted review date Jul. 14, 2015, Amazon, [online],[site visited Nov. 7, 2017]. Available from Internet, [https://www.amazon.com/Generac-6237-Automatic-Discontinued-Manufacturer/dp/B00C2LV4H8/ref=sr_1_66?s=lawn-garden&ie=UTF8&qid=1510110019&sr=1-66&keywords=home generator](https://www.amazon.com/Generac-6237-Automatic-Discontinued-Manufacturer/dp/B00C2LV4H8/ref=sr_1_66?s=lawn-garden&ie=UTF8&qid=1510110019&sr=1-66&keywords=home+generator) (Year:2015).

* cited by examiner

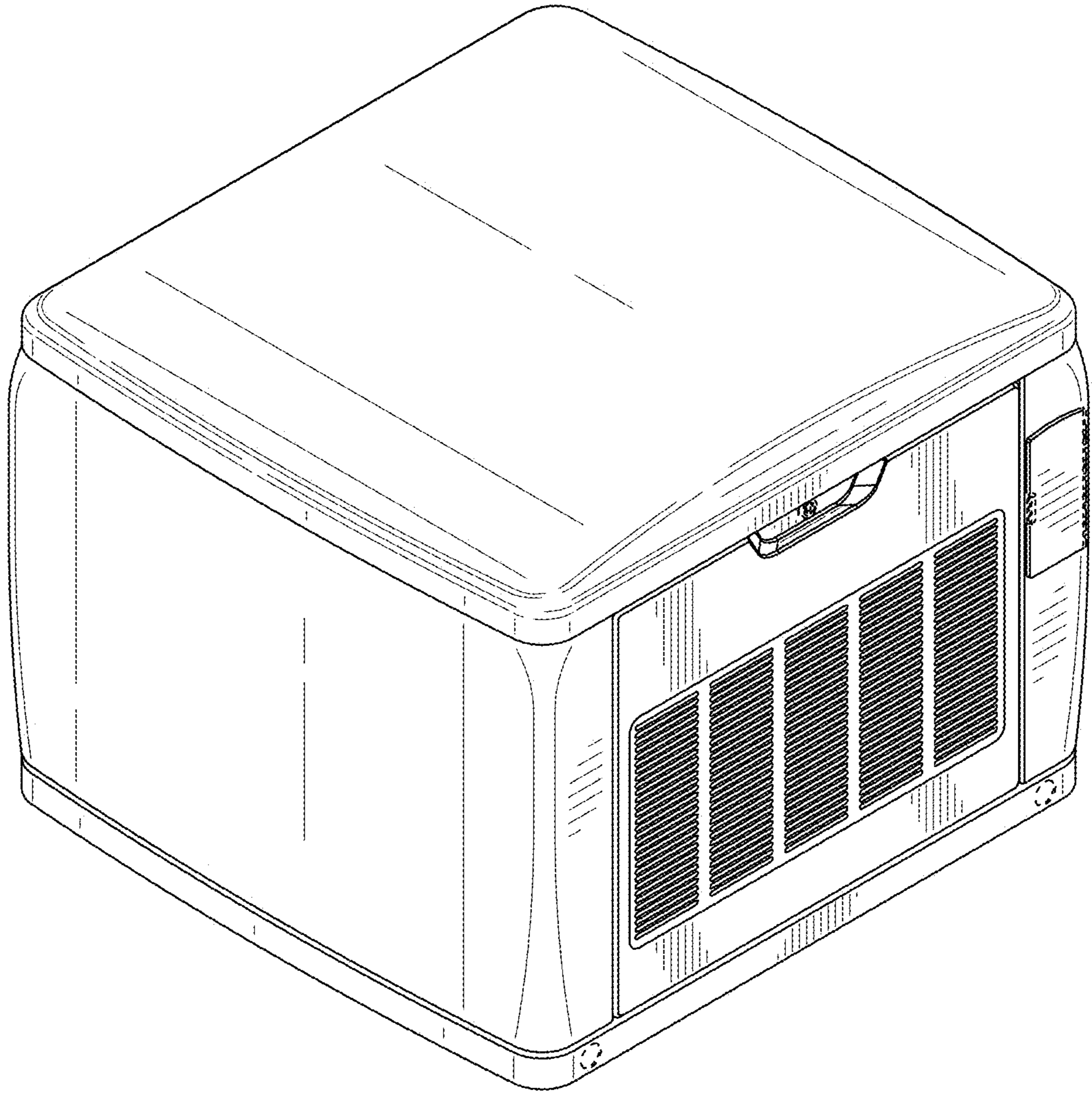


FIG. 1

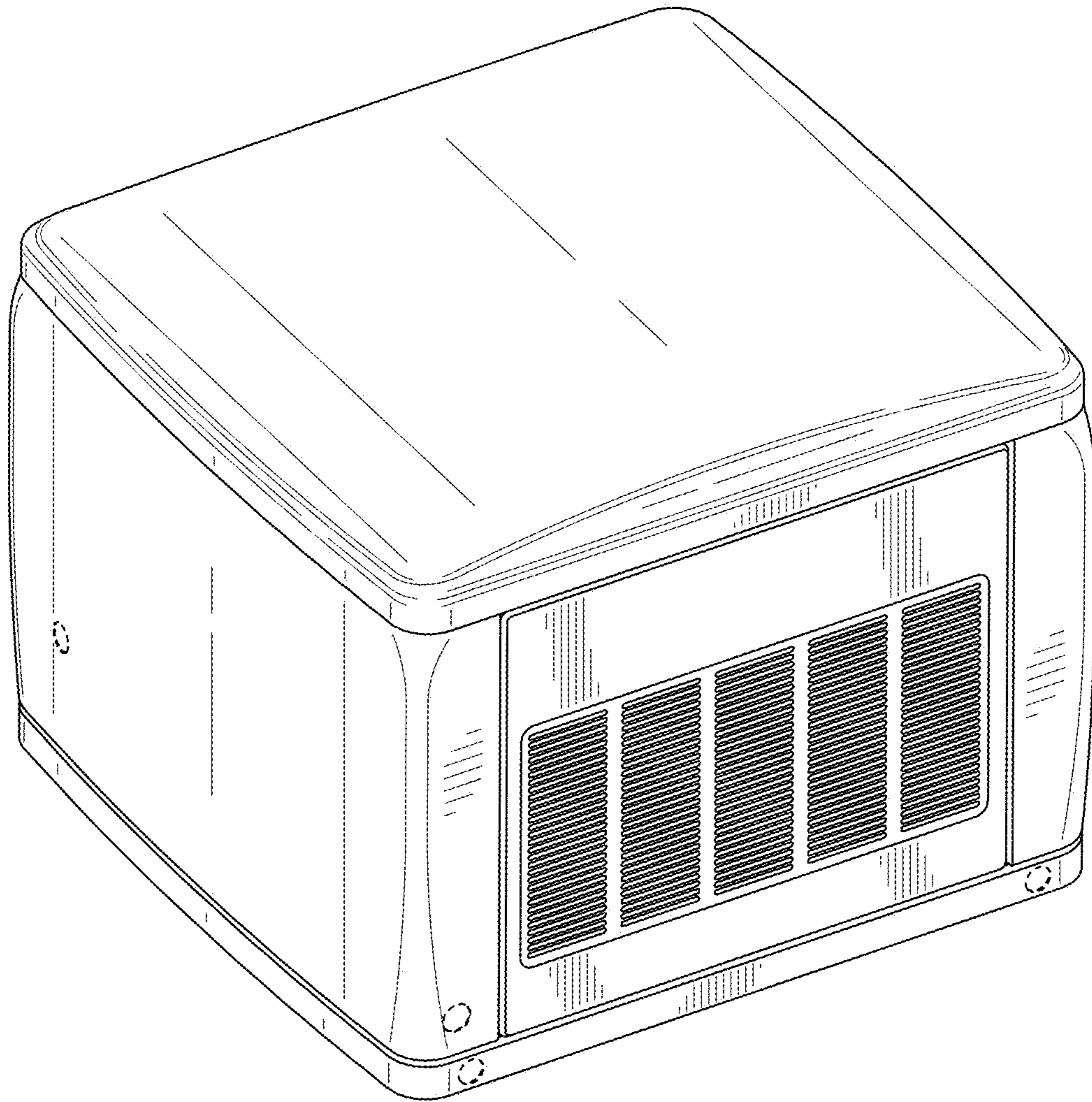


FIG. 2

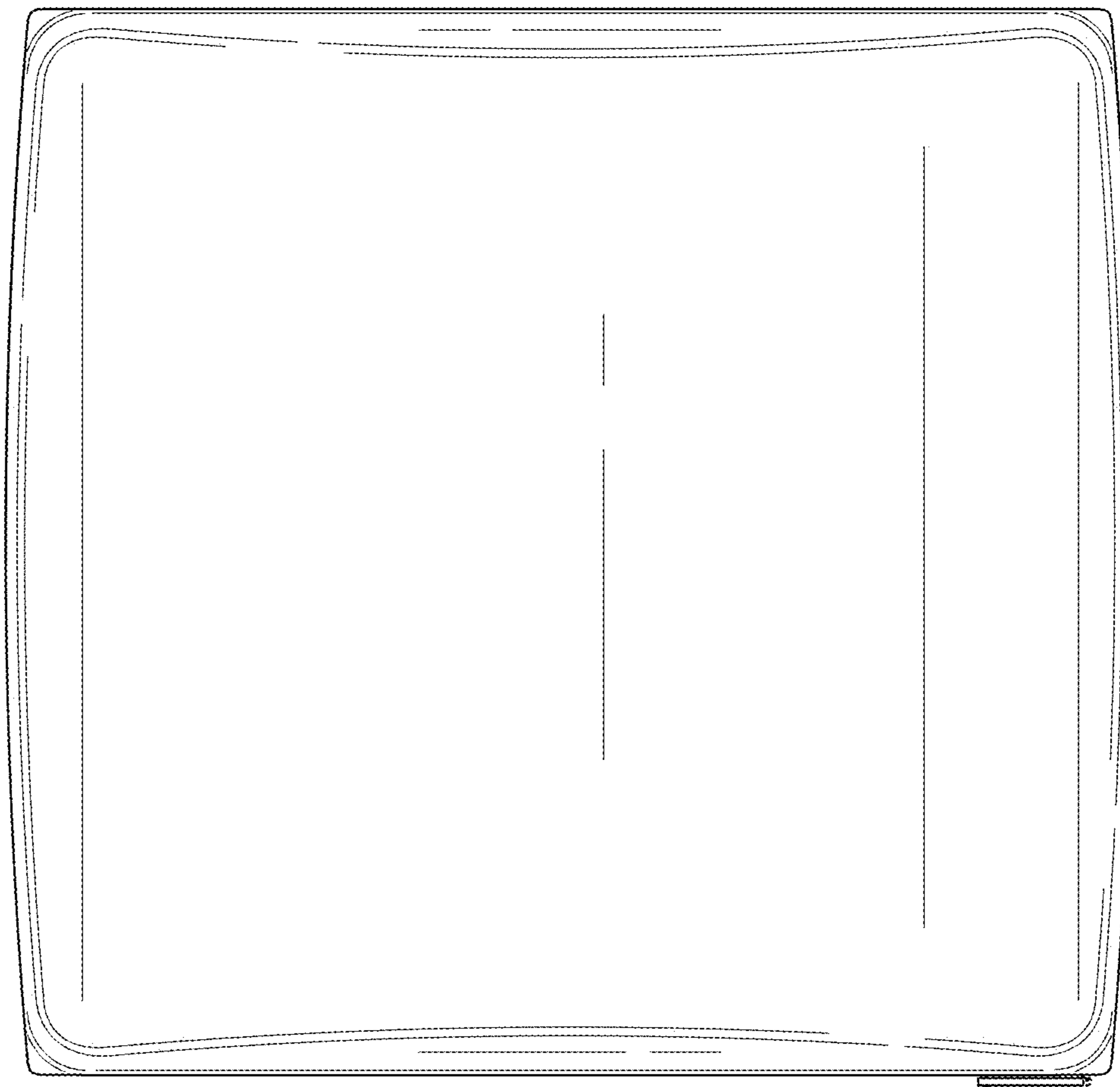


FIG. 3

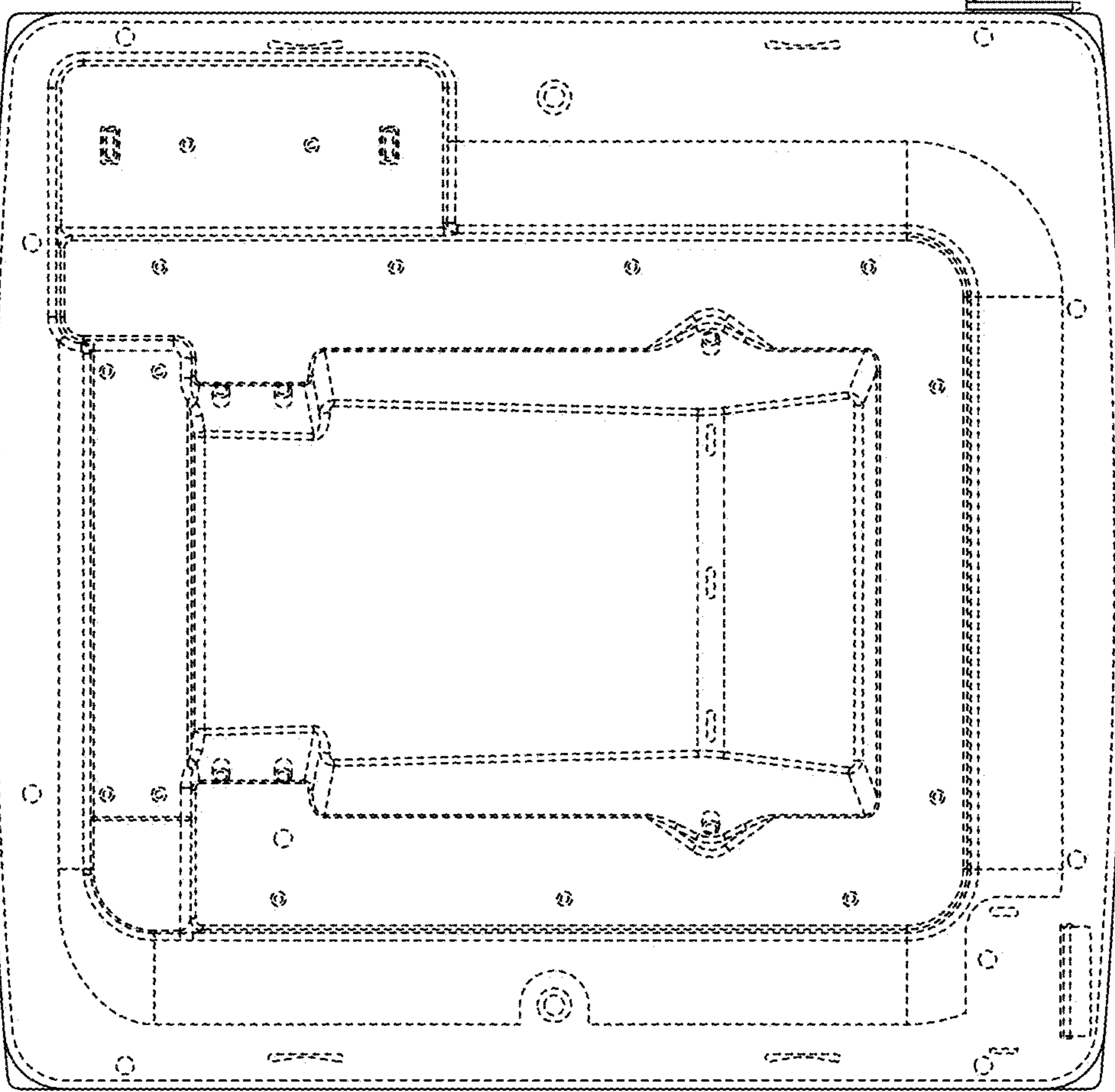


FIG. 4

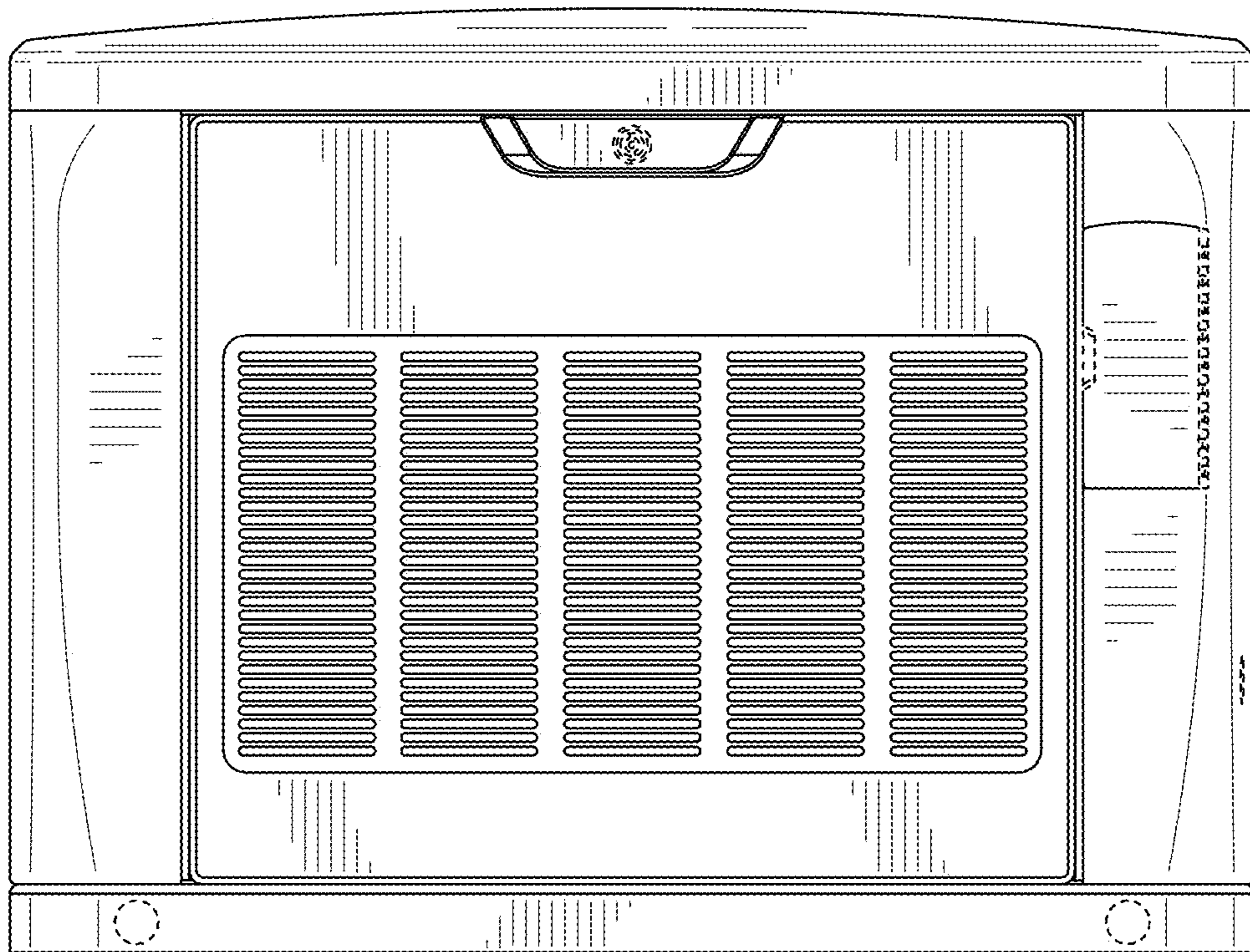


FIG. 5

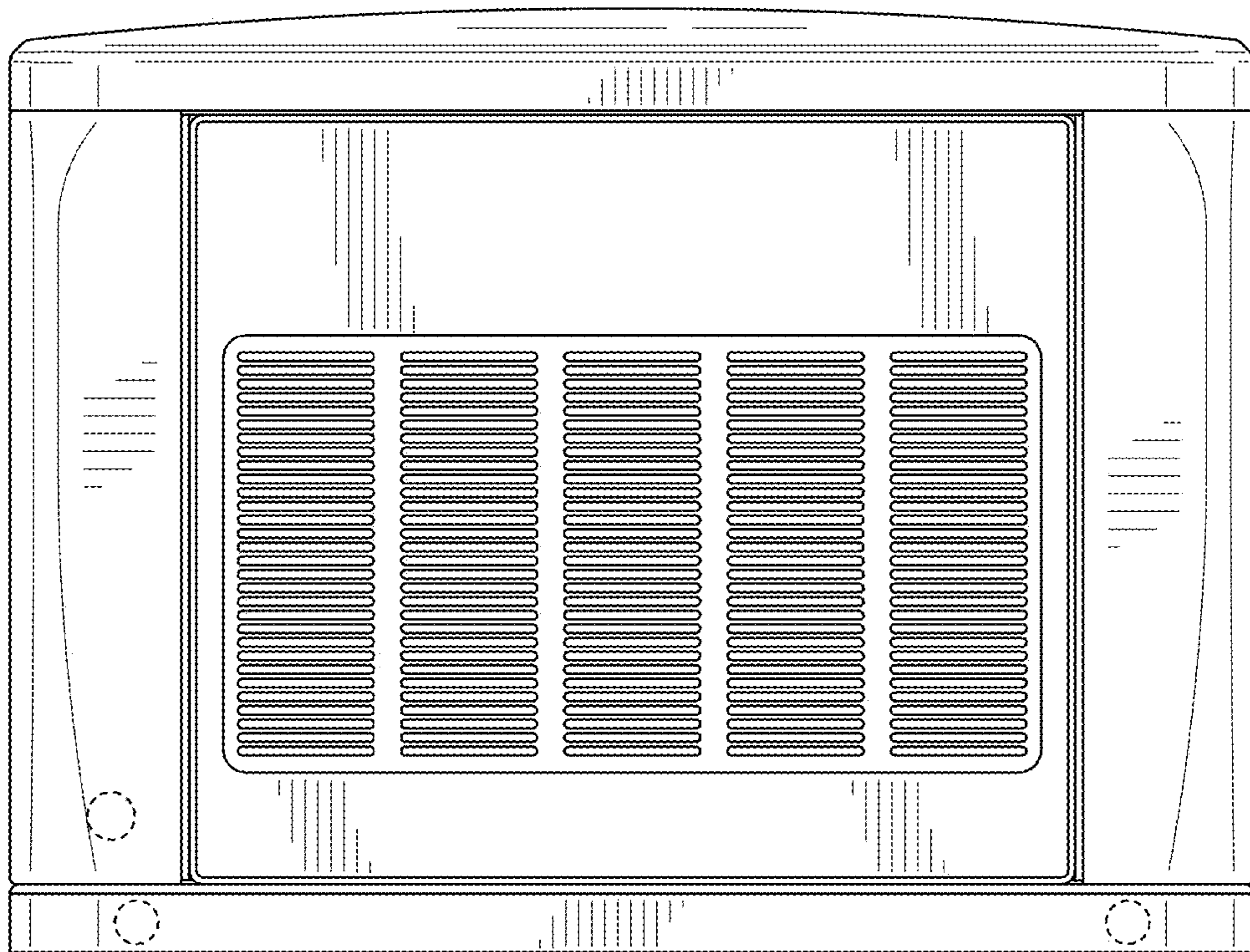


FIG. 6

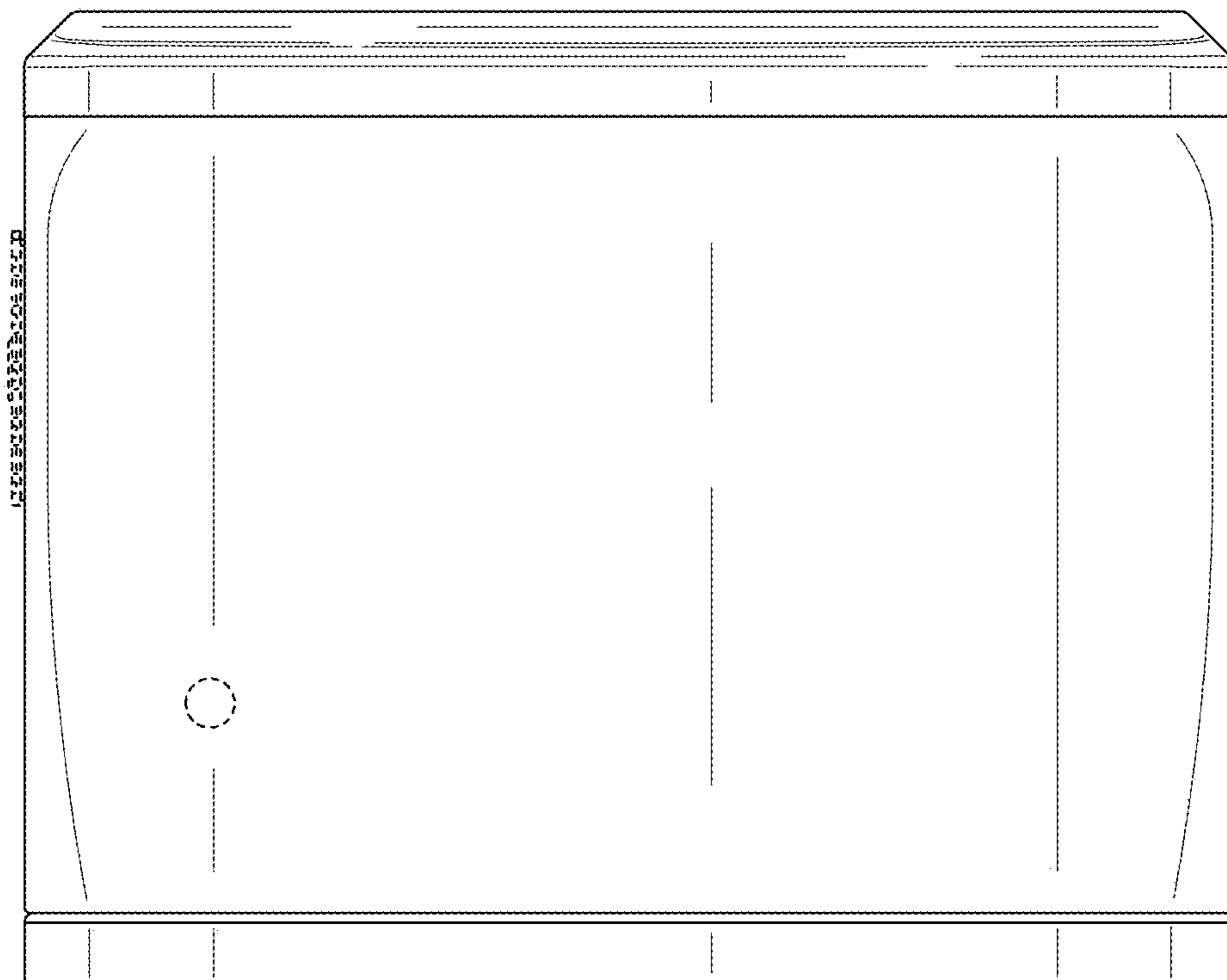


FIG. 7

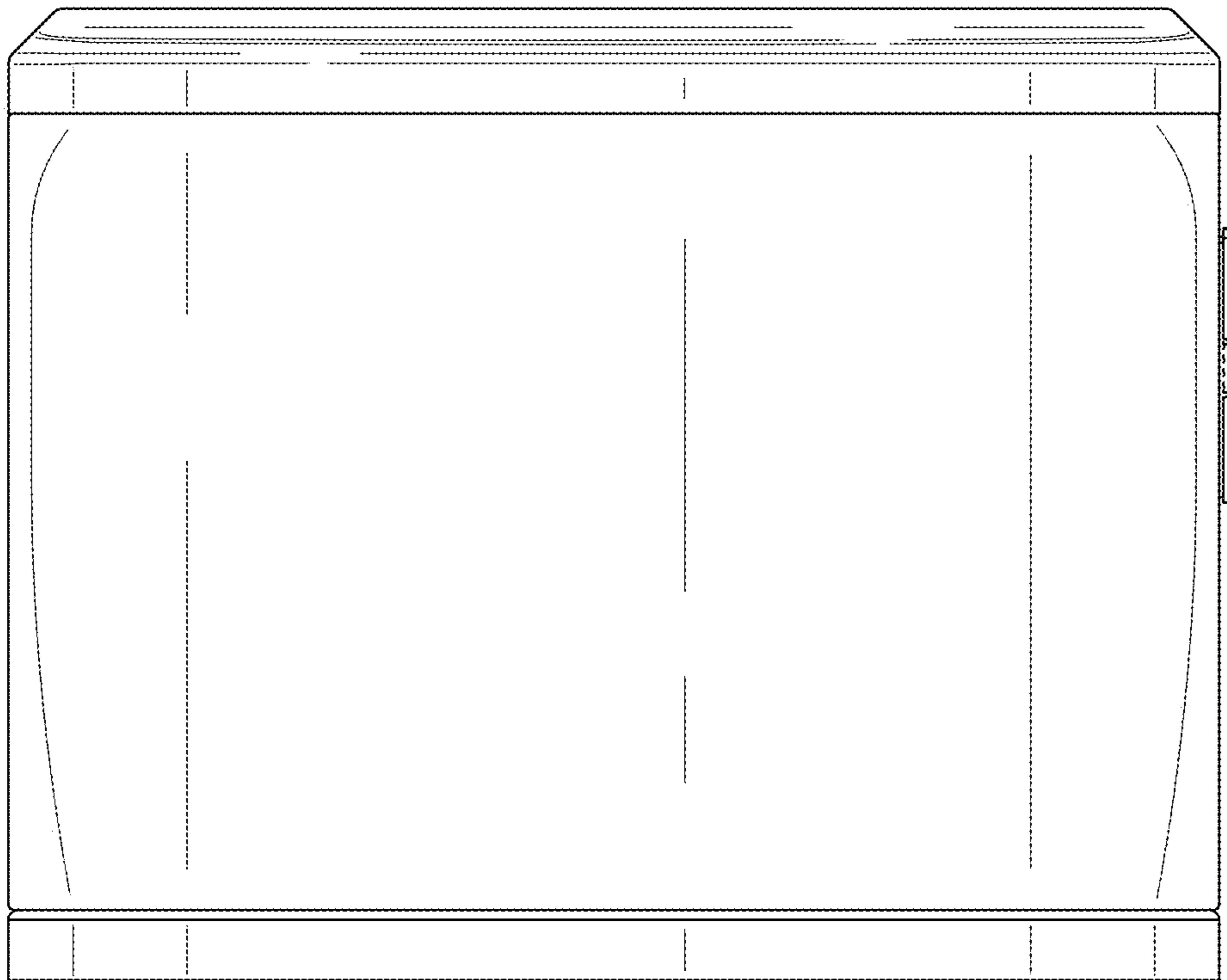


FIG. 8

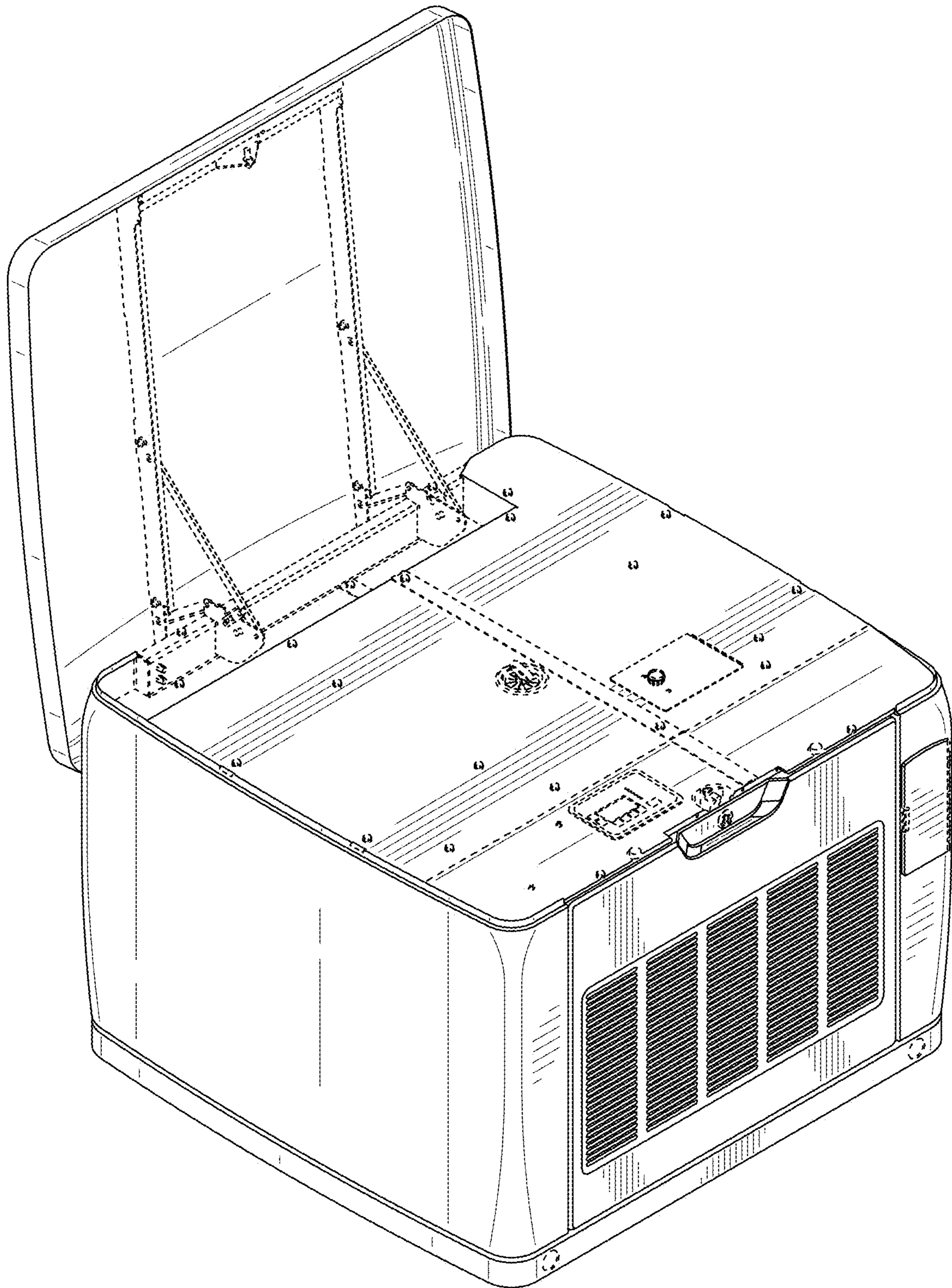


FIG. 9

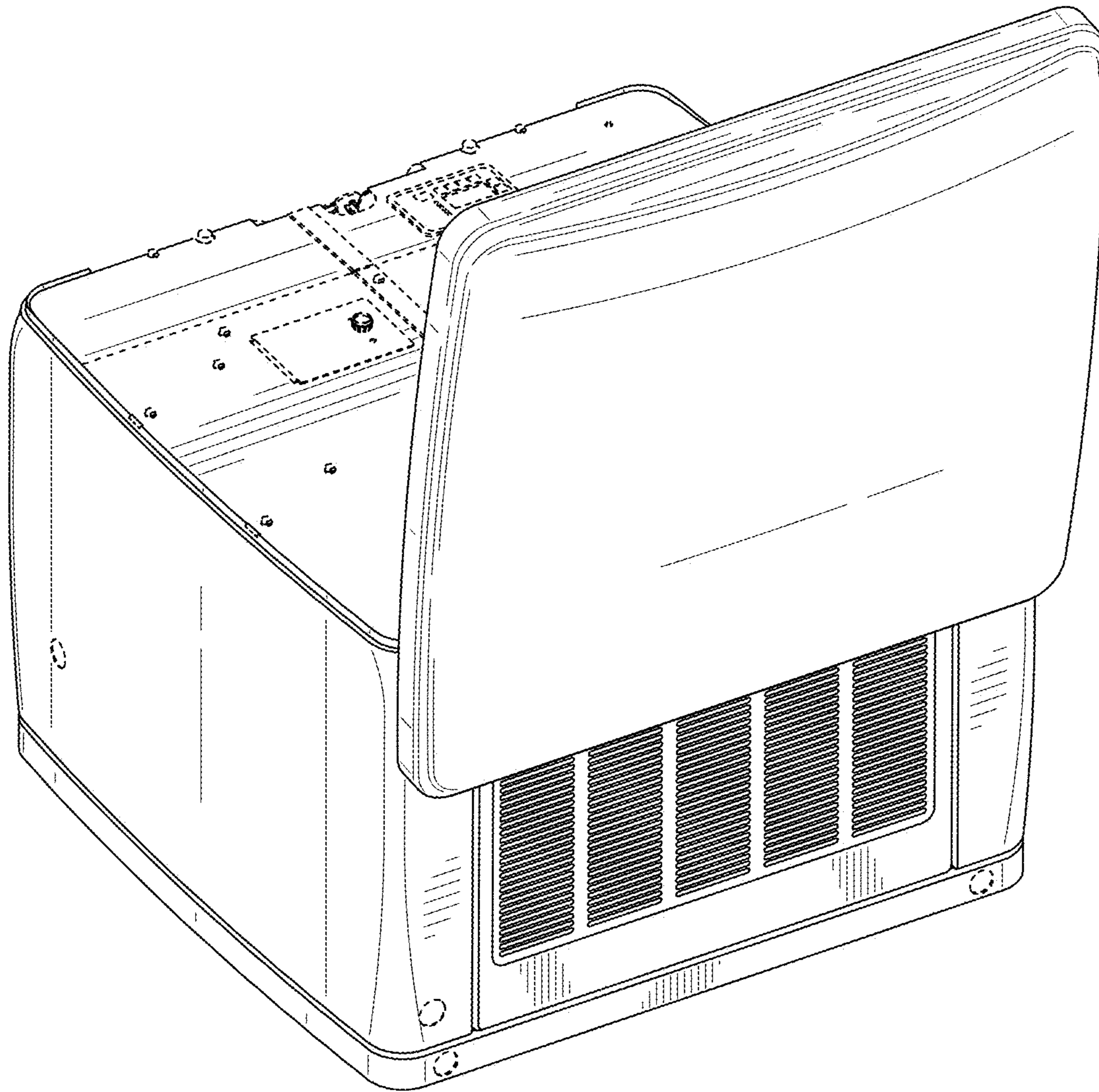


FIG. 10

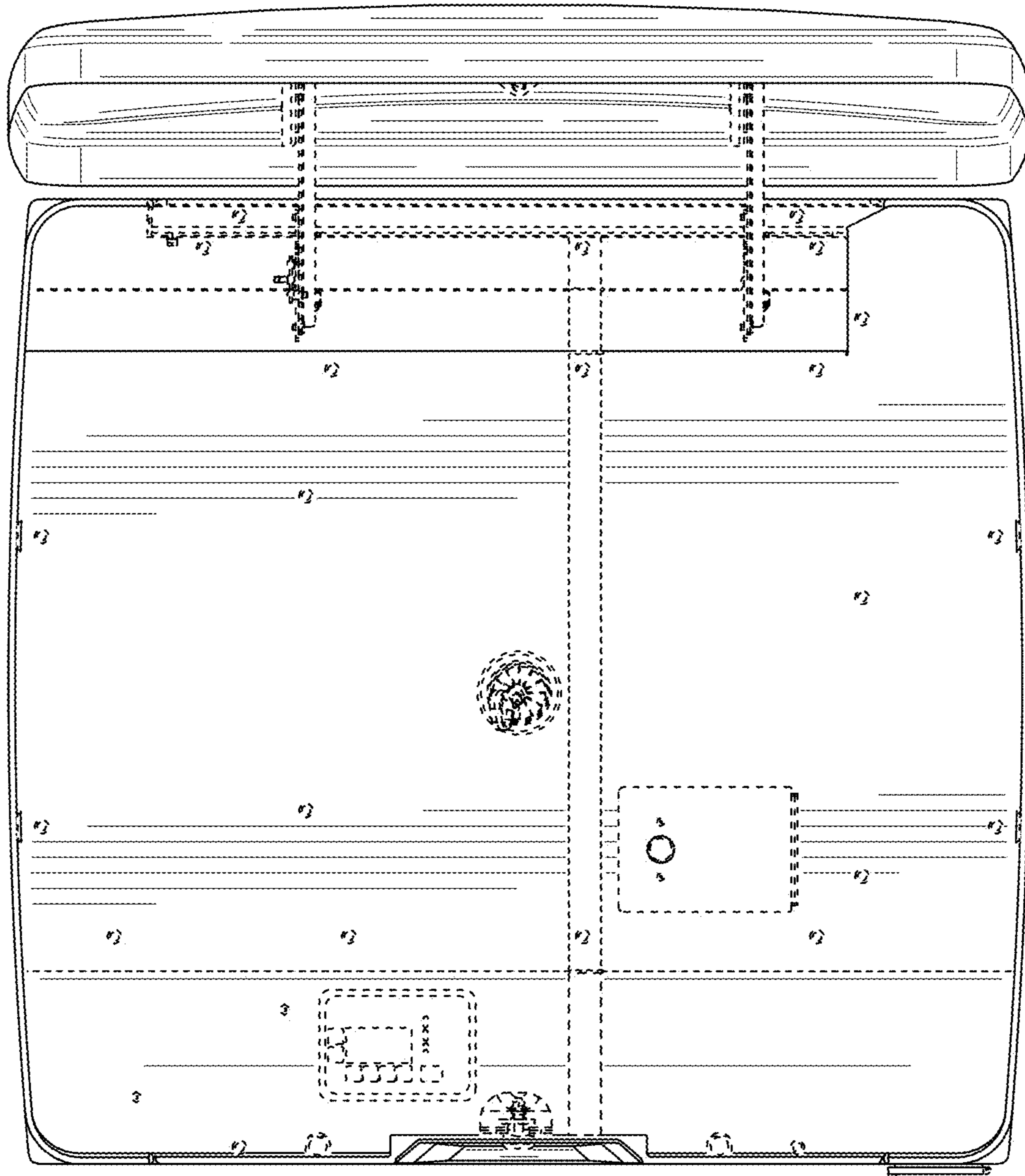


FIG. 11

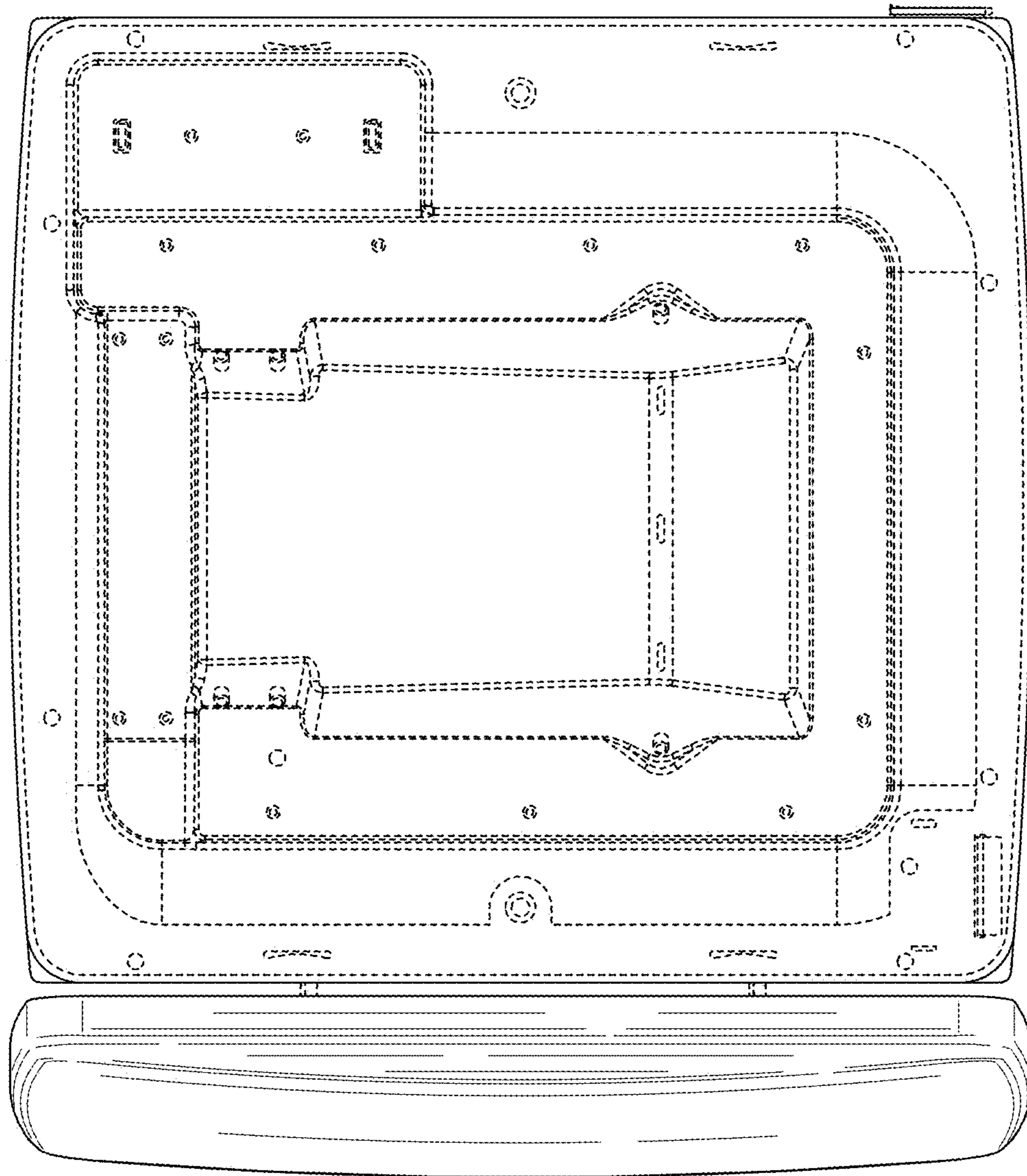


FIG. 12

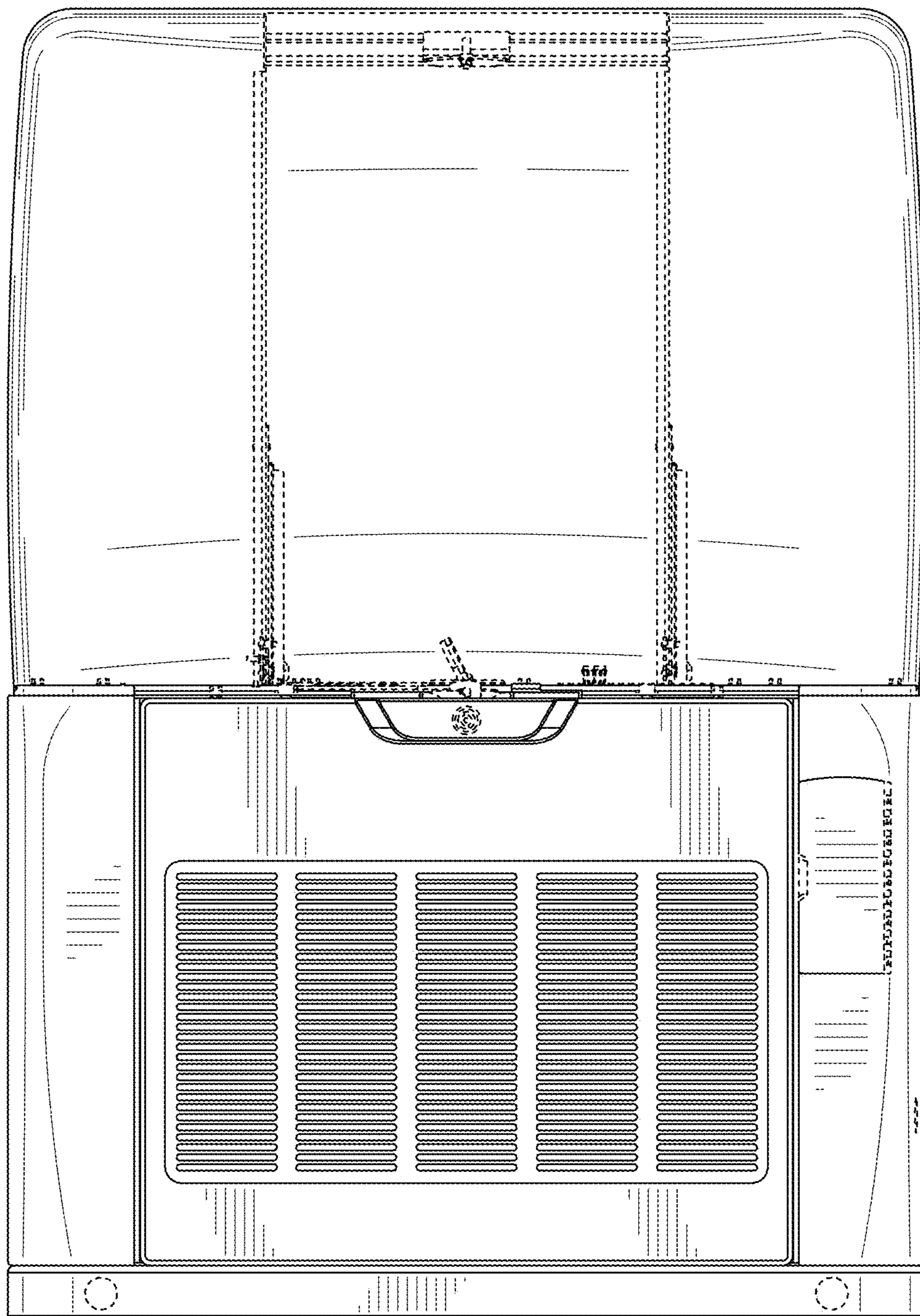


FIG. 13

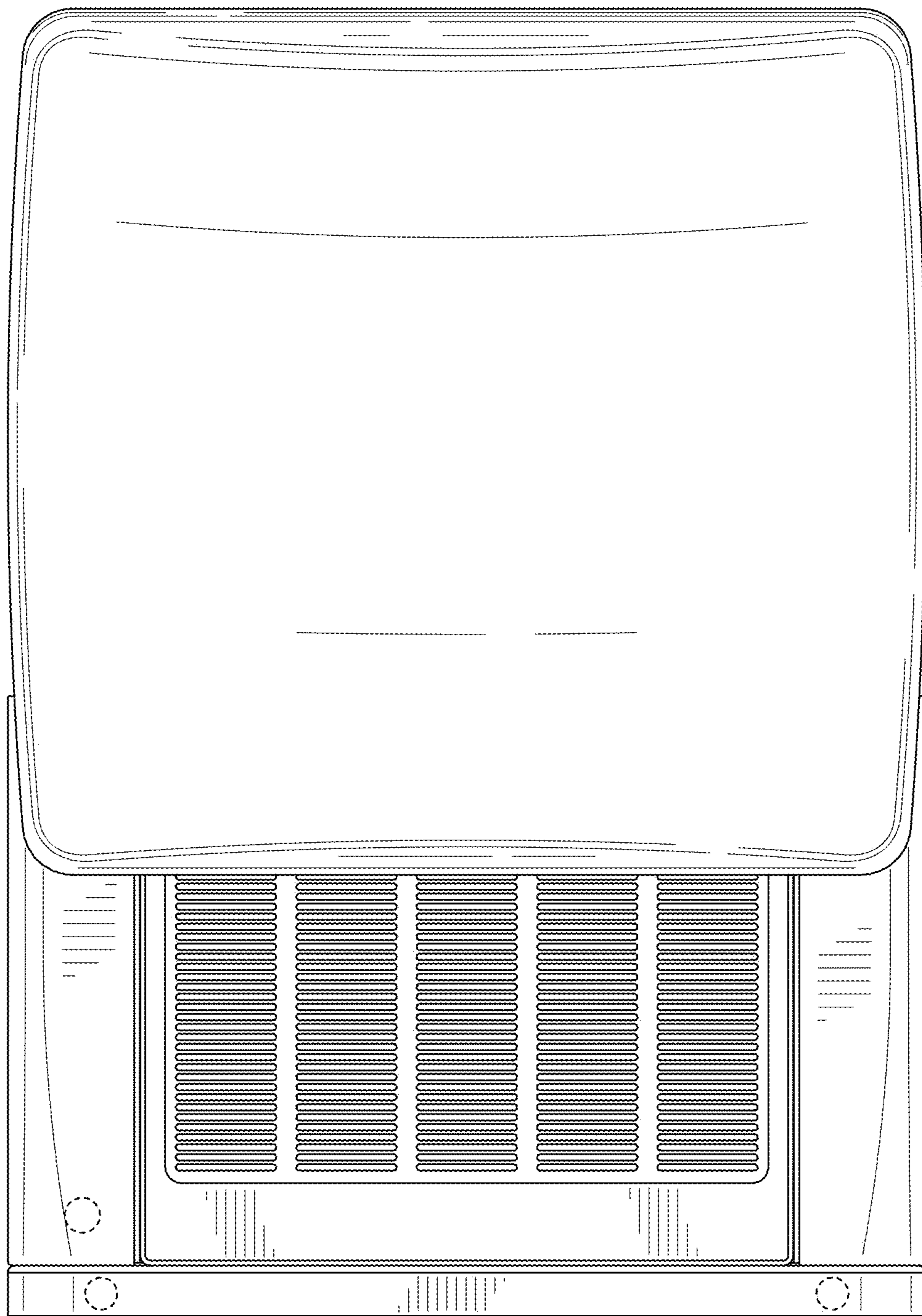


FIG. 14

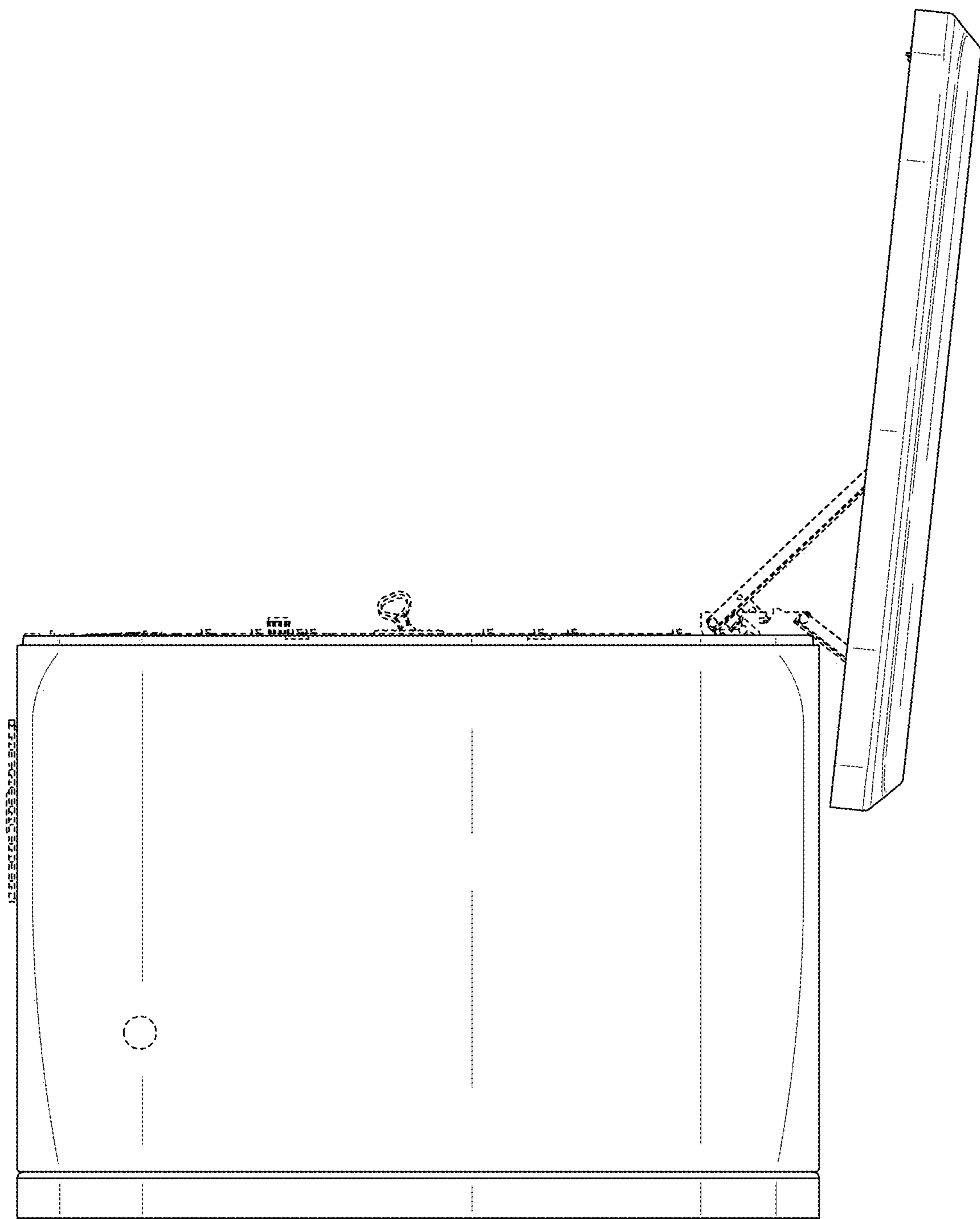


FIG. 15

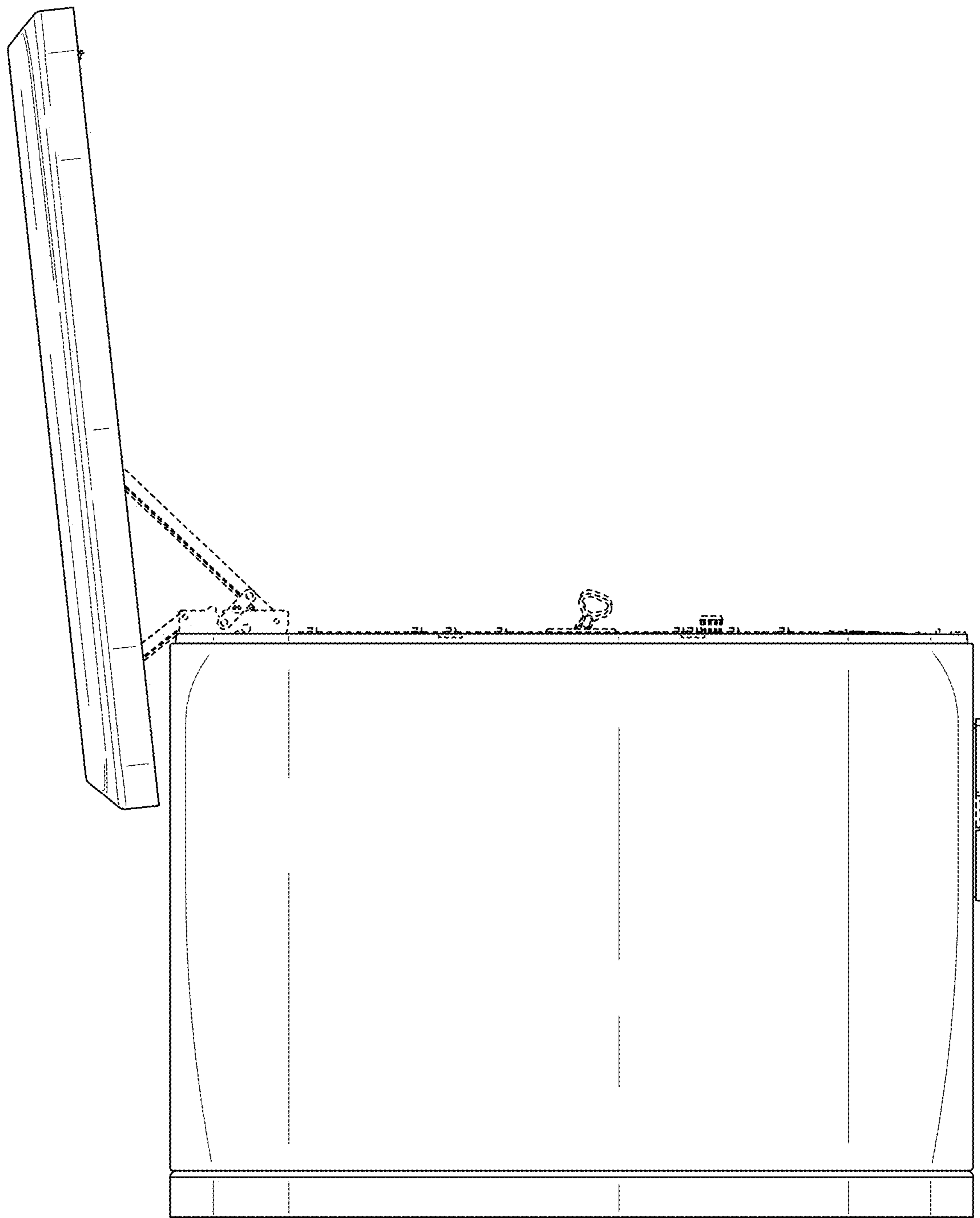


FIG. 16