

US00D871335S

(12) **United States Design Patent** (10) **Patent No.:** **US D871,335 S**
Hilker (45) **Date of Patent:** **** Dec. 31, 2019**

(54) **ELECTRIC MOTOR**

(71) Applicant: **Siemens Aktiengesellschaft**, Munich (DE)

(72) Inventor: **Thomas Hilker**, Stahnsdorf (DE)

(73) Assignee: **Siemens Aktiengesellschaft**, Munich (DE)

(**) Term: **15 Years**

(21) Appl. No.: **29/673,334**

(22) Filed: **Dec. 13, 2018**

Related U.S. Application Data

(62) Division of application No. 29/601,791, filed on Apr. 26, 2017, now Pat. No. Des. 853,963.

(30) **Foreign Application Priority Data**

Oct. 28, 2016 (EM) 003438282

(51) **LOC (12) Cl.** **13-01**

(52) **U.S. Cl.**
USPC **D13/112**

(58) **Field of Classification Search**

USPC D13/112, 113, 114, 122, 123, 199;
D15/1-5, 148, 149, 199; D23/314
CPC B60K 7/0007; B60K 200/0092; B60L
15/2009; Y02T 10/72; Y02T 10/7275
See application file for complete search history.

(56) **References Cited**

U.S. PATENT DOCUMENTS

D269,014 S * 5/1983 Tumidajewicz D15/149
D314,742 S 2/1991 Sieber
D332,081 S 12/1992 Sieber
D336,890 S * 6/1993 Hirose D13/112
D429,216 S * 8/2000 Hemphill D12/114

D464,621 S 10/2002 Segawa
D479,541 S 9/2003 Lannoch
D538,743 S * 3/2007 Katada D13/112
D568,811 S * 5/2008 Andersson D13/112
D573,091 S * 7/2008 Shih D13/112
D576,941 S 9/2008 Evon et al.
D578,063 S 10/2008 Lannoch
D587,194 S 2/2009 Pourkermani
D587,648 S 3/2009 Lannoch
D593,943 S 6/2009 Lannoch
7,781,926 B2 * 8/2010 Schmidt H02K 5/06
310/77
D667,372 S 9/2012 Lannoch
D673,667 S 1/2013 McElveen et al.

(Continued)

FOREIGN PATENT DOCUMENTS

EP 2633604 B1 4/2017

Primary Examiner — Brett Miller

Assistant Examiner — Fitzgerald L Butac

(74) *Attorney, Agent, or Firm* — Schiff Hardin LLP

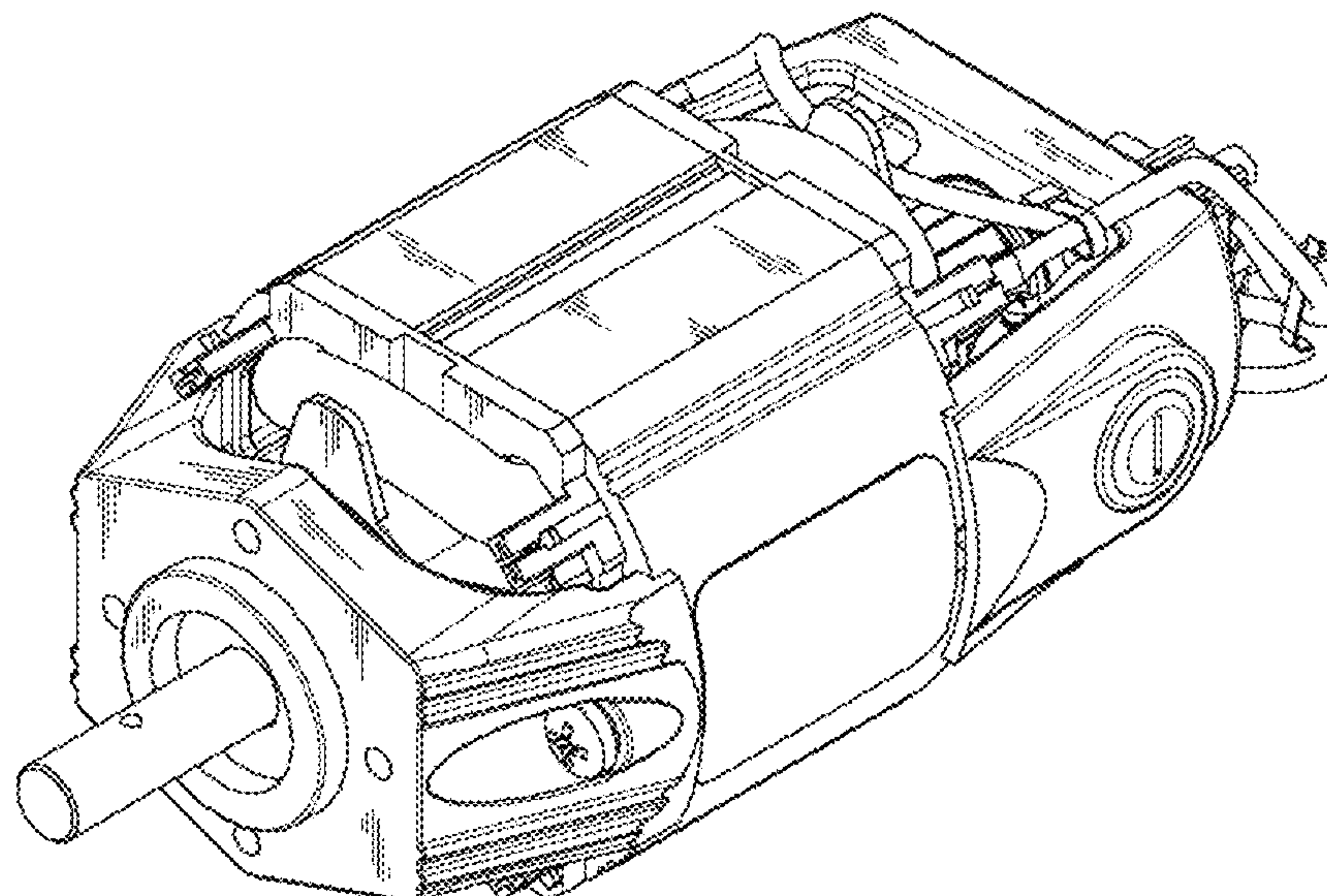
(57) **CLAIM**

The ornamental design for an electric motor, as shown and described.

DESCRIPTION

FIG. 1 is a front elevational view of an electric motor showing our new design;
FIG. 2 is a back elevational view thereof;
FIG. 3 is a top plan view thereof;
FIG. 4 is a bottom plan view thereof;
FIG. 5 is a side elevational view of the right side thereof;
FIG. 6 is a side elevational view of the left side thereof; and,
FIG. 7 is a perspective view taken generally from the top, front, right-hand side thereof.
The broken lines shown in the drawings represent portions of the electric motor that form no part of the claimed design.

1 Claim, 7 Drawing Sheets



(56)

References Cited

U.S. PATENT DOCUMENTS

D678,194 S 3/2013 Lannoch
 D682,784 S 5/2013 Tomczak
 D682,901 S * 5/2013 Peschel D15/143
 D703,253 S * 4/2014 Lannoch D15/148
 D704,756 S * 5/2014 Voelker D15/148
 D705,816 S 5/2014 Katada
 D706,304 S 6/2014 Katada
 D709,450 S * 7/2014 Tanabe D13/112
 D713,338 S * 9/2014 Lannoch D13/112
 D742,316 S 11/2015 Sato et al.
 D753,591 S 4/2016 Noda et al.
 D758,310 S 6/2016 Veeh et al.
 D776,055 S 1/2017 Wallace et al.
 D777,815 S * 1/2017 Ebner D15/148
 D779,428 S 2/2017 Mayer
 D780,118 S * 2/2017 Rudolph D13/112
 D781,943 S * 3/2017 Ries D15/148
 D784,431 S * 4/2017 Liou D15/143
 D789,432 S * 6/2017 Tokuda D15/148
 D790,616 S * 6/2017 Tokuda D15/148

D795,934 S * 8/2017 Ebner D15/148
 D797,173 S * 9/2017 Ebner D15/148
 D798,928 S * 10/2017 Ebner D15/148
 D801,925 S * 11/2017 Andersson D13/112
 D801,926 S 11/2017 Sakai et al.
 D806,030 S 12/2017 Pfefferkorn et al.
 D809,459 S 2/2018 Battistella
 D813,165 S * 3/2018 Grillenberger D13/112
 D816,031 S * 4/2018 Sakai D13/112
 D817,276 S * 5/2018 Ozaki D13/112
 D817,277 S * 5/2018 Cai D13/112
 D817,373 S * 5/2018 Goos D15/148
 D817,877 S * 5/2018 Grillenberger D13/112
 D821,470 S * 6/2018 Ebner D15/148
 D823,251 S * 7/2018 Battistella D13/112
 D823,802 S * 7/2018 Battistella D13/112
 D824,852 S * 8/2018 Cai D13/112
 D826,277 S * 8/2018 Scott D15/148
 D826,285 S * 8/2018 Yaegashi D15/9
 D833,972 S * 11/2018 Pflueger D13/112
 D835,039 S * 12/2018 Grillenberger D13/112
 2018/0023682 A1 1/2018 Reineberg et al.

* cited by examiner

FIG. 1

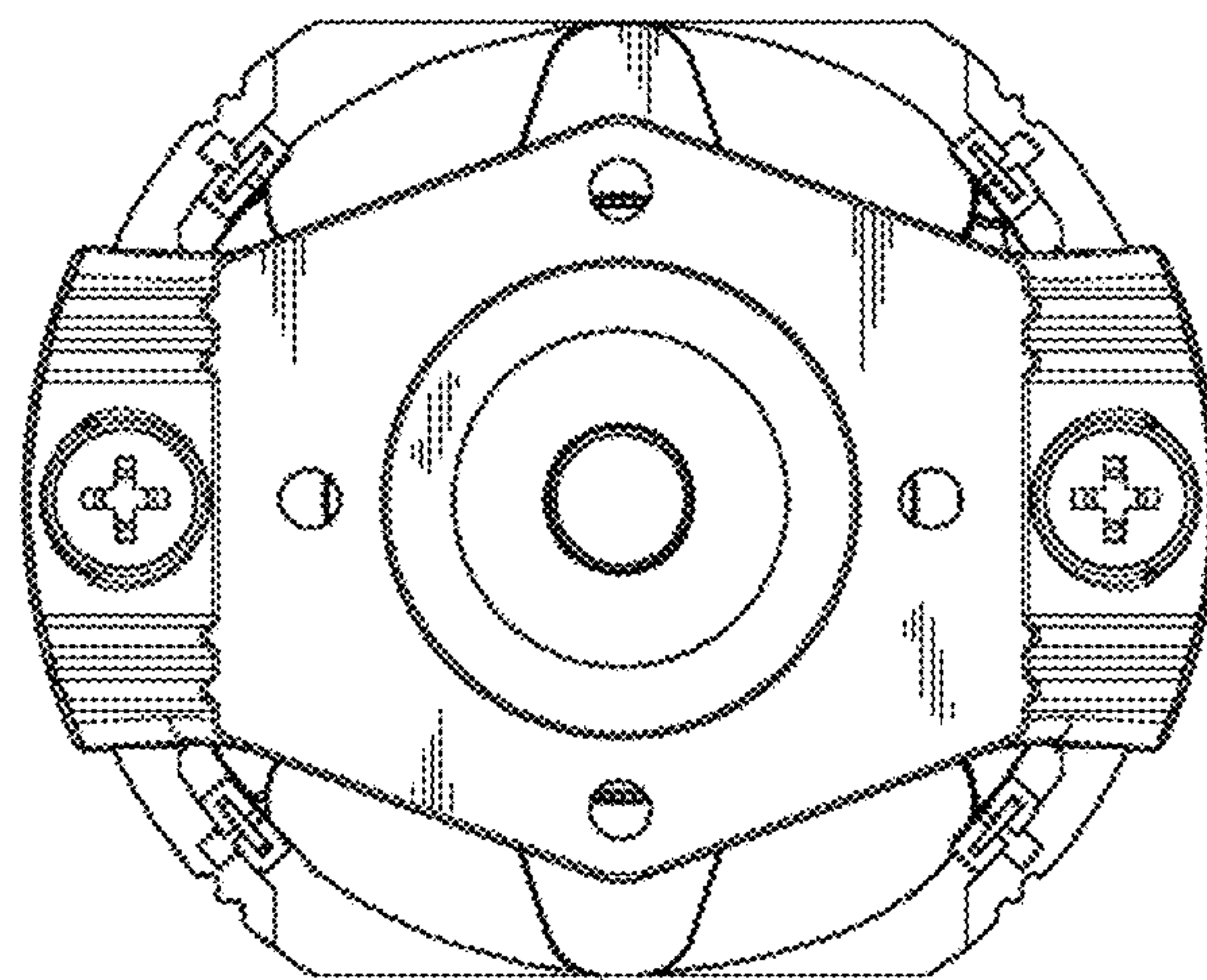


FIG. 2

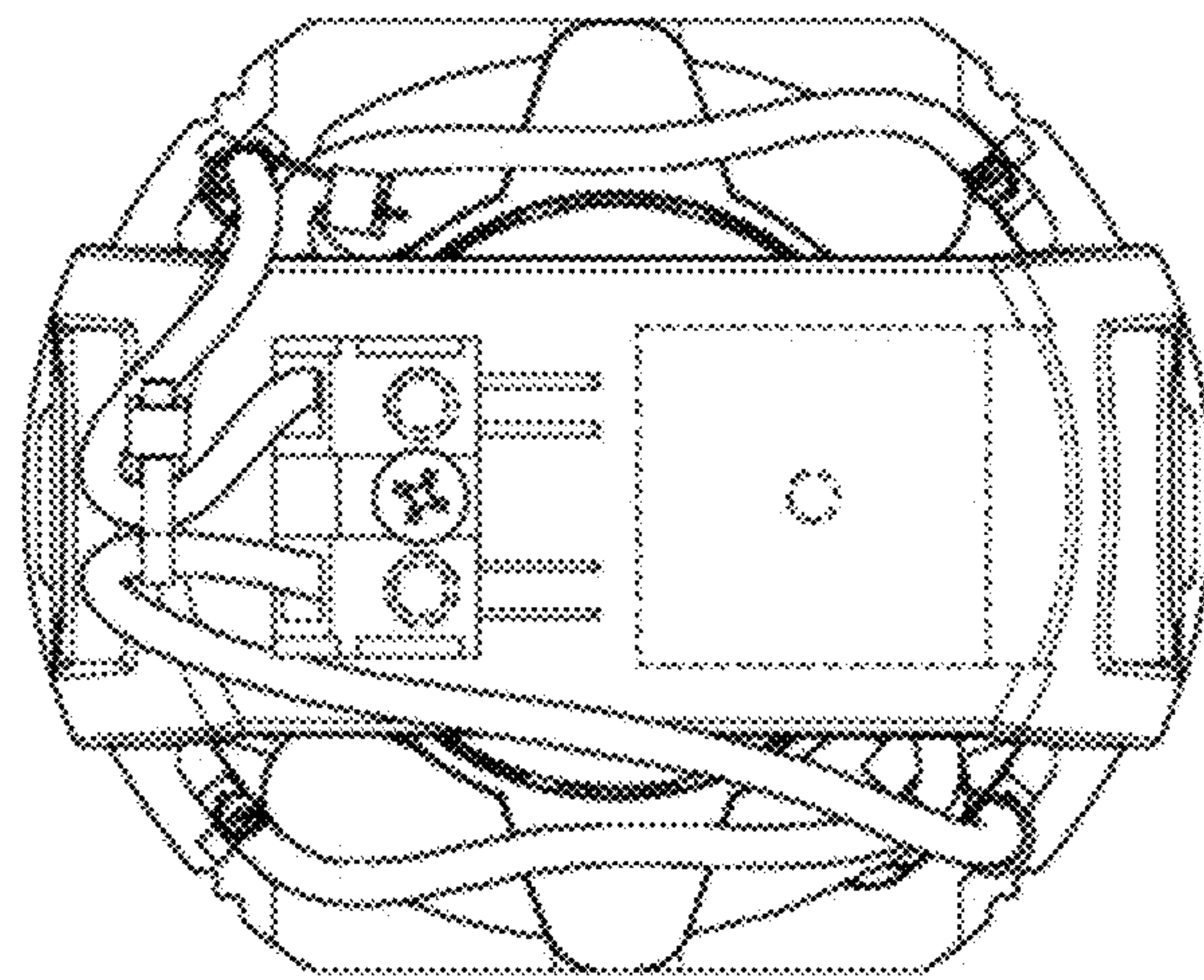


FIG. 3

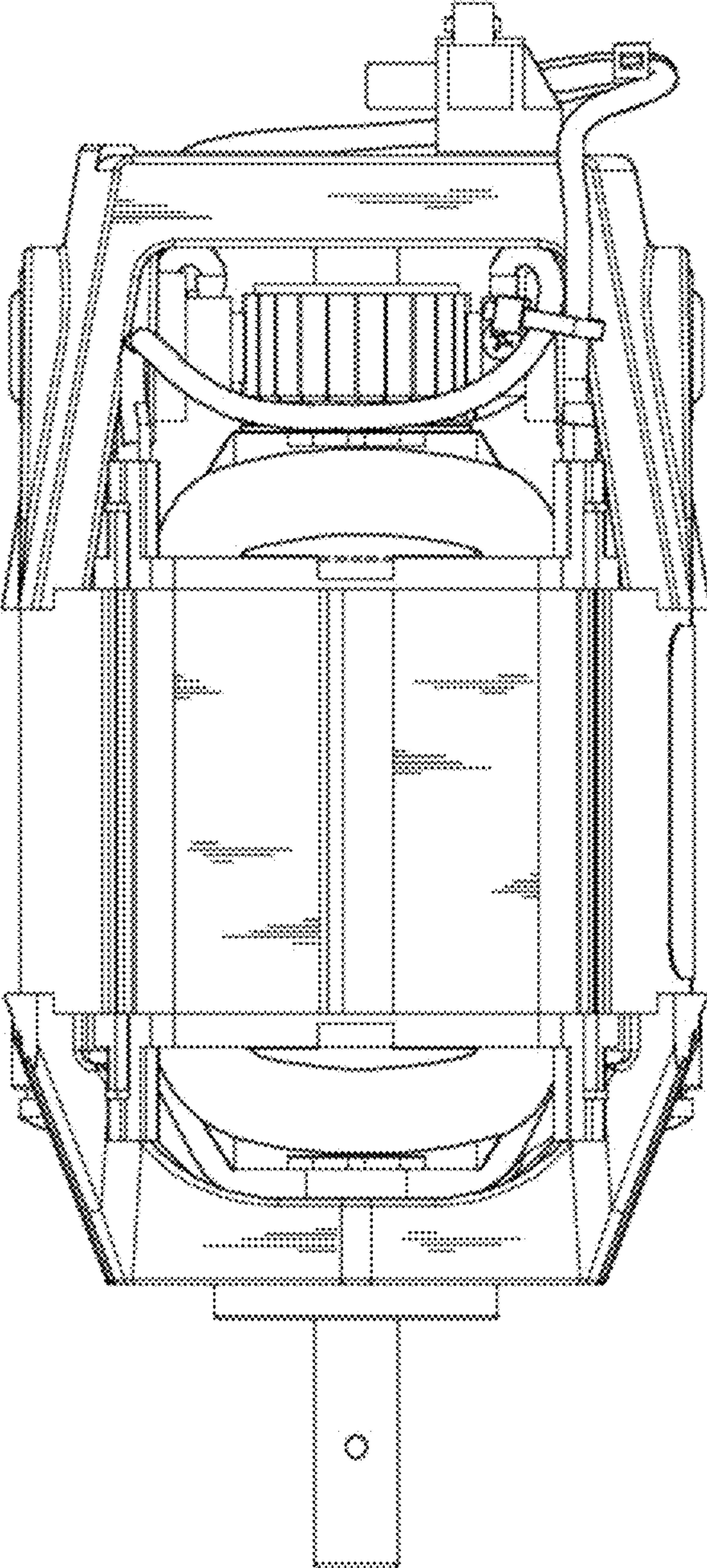


FIG. 4

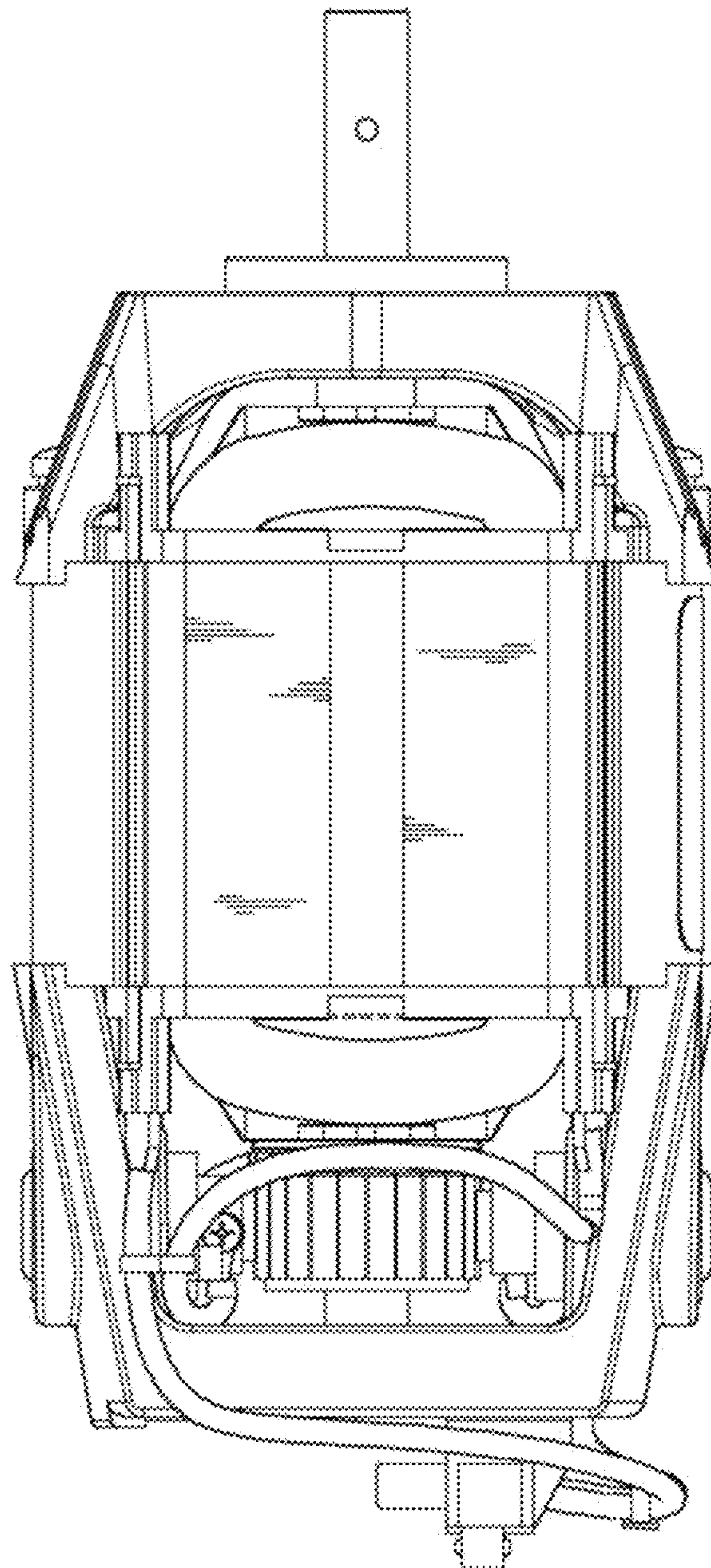


FIG. 5

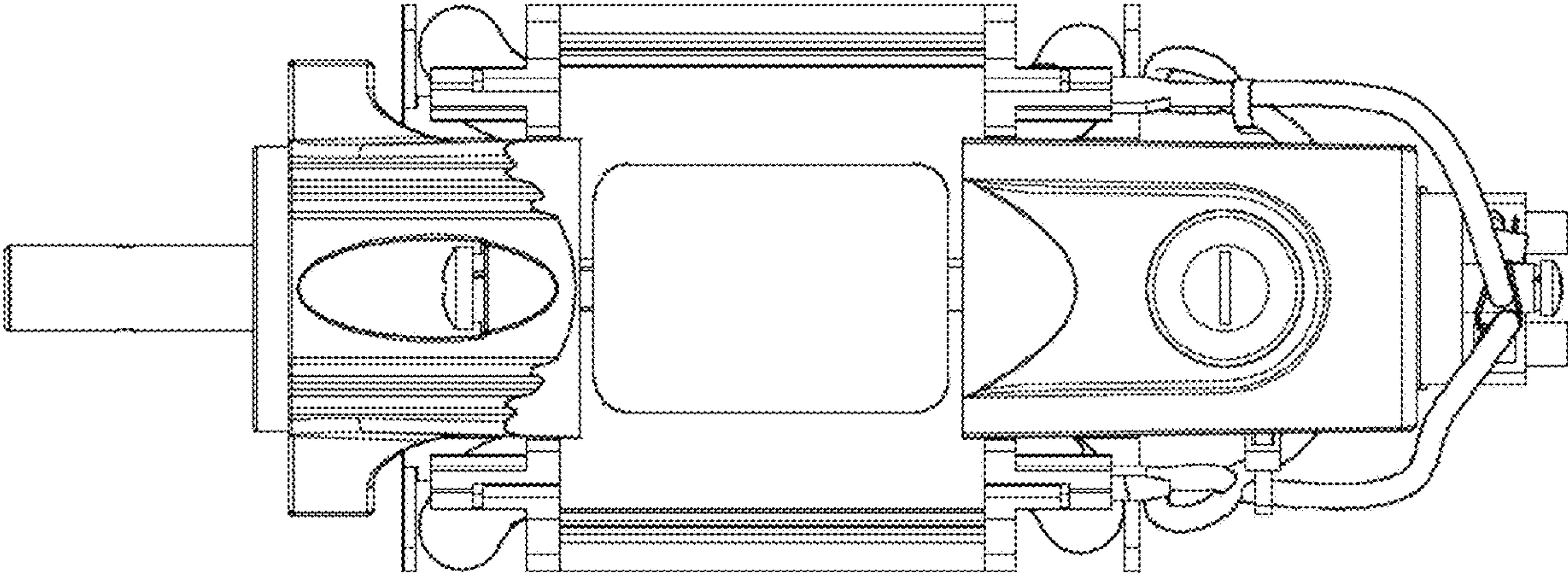


FIG. 6

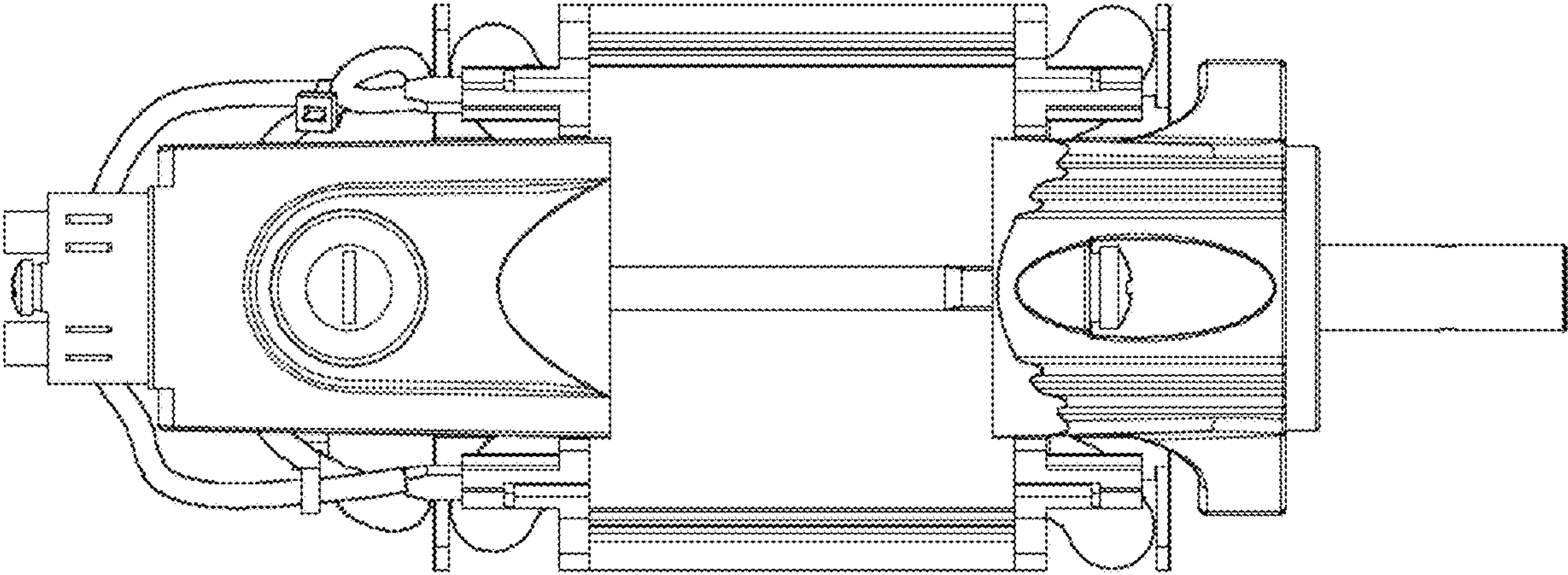


FIG. 7

