



US00D871334S

(12) **United States Design Patent**
Chen

(10) **Patent No.:** **US D871,334 S**

(45) **Date of Patent:** **** Dec. 31, 2019**

(54) **POWER SUPPLY**

(71) Applicant: **Guangdong Global Egrow (Zhaoqing) Cross-Border E-Commerce Co., Ltd., Guangdong (CN)**

(72) Inventor: **Wen Chen, Guangdong (CN)**

(73) Assignee: **Guangdong Global Egrow (Zhaoqing) Cross-Border E-Commerce Co., Ltd., Guangdong (CN)**

(**) Term: **15 Years**

(21) Appl. No.: **29/633,503**

(22) Filed: **Jan. 15, 2018**

(30) **Foreign Application Priority Data**

Nov. 20, 2017 (EP) 004513075

(51) **LOC (12) Cl.** **13-02**

(52) **U.S. Cl.**
USPC **D13/110**

(58) **Field of Classification Search**
USPC D13/110, 107, 102
CPC H02J 7/0052; H02J 7/0027; H02J 7/0045;
H01R 25/00; H01R 27/02; H01R 13/00;
H01R 13/44

See application file for complete search history.

(56) **References Cited**

U.S. PATENT DOCUMENTS

D330,187 S * 10/1992 Shimoo D13/107
D386,148 S * 11/1997 Katooka D13/110
D514,508 S * 2/2006 Krieger D13/107
D586,291 S * 2/2009 Wei D13/102
D609,632 S * 2/2010 Daniels D13/107
D609,633 S * 2/2010 Daniels D13/107
D712,823 S * 9/2014 Lin D13/102
D815,039 S * 4/2018 Wen D13/110

D821,313 S * 6/2018 Yang D13/110
D823,789 S * 7/2018 Yang D13/107
D825,457 S * 8/2018 Yang D13/107

(Continued)

FOREIGN PATENT DOCUMENTS

EM 005616562-0001 * 9/2018

Primary Examiner — Bridget L Eland

(74) *Attorney, Agent, or Firm* — JCIPRNET

(57) **CLAIM**

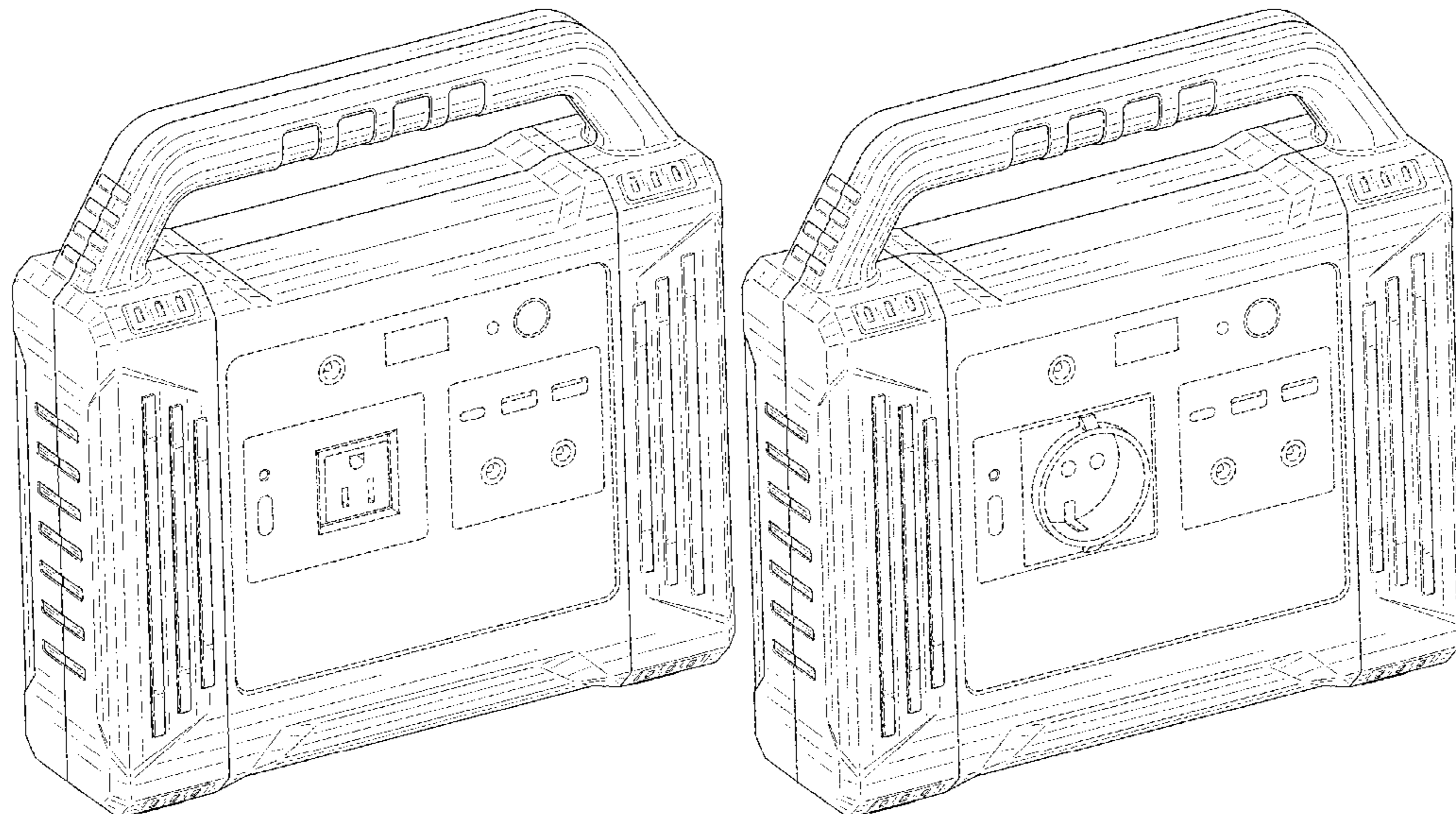
The ornamental design for a power supply, as shown and described.

DESCRIPTION

FIG. 1 is a perspective view of a power supply showing my new design with a first environment;
FIG. 2 is another perspective view thereof;
FIG. 3 is a front view thereof;
FIG. 4 is a rear view thereof;
FIG. 5 is a left side view thereof;
FIG. 6 is a right side view thereof;
FIG. 7 is a top view thereof;
FIG. 8 is a bottom view thereof;
FIG. 9 is a perspective view of the power supply of FIG. 1 shown with a second environment;
FIG. 10 is another perspective view thereof;
FIG. 11 is a front view thereof;
FIG. 12 is a rear view thereof;
FIG. 13 is a left side view thereof;
FIG. 14 is a right side view thereof;
FIG. 15 is a top view thereof; and,
FIG. 16 is a bottom view thereof.

The broken lines immediately adjacent to the full line showing of the claimed design, encompassing unshaded regions, represent the bounds of the claimed design while all other broken lines are directed to environment and are for illustrative purposes only; the broken lines form no part of the claimed design.

1 Claim, 12 Drawing Sheets



(56)

References Cited

U.S. PATENT DOCUMENTS

2014/0098525 A1* 4/2014 Bennett H02J 7/0052
362/183

* cited by examiner

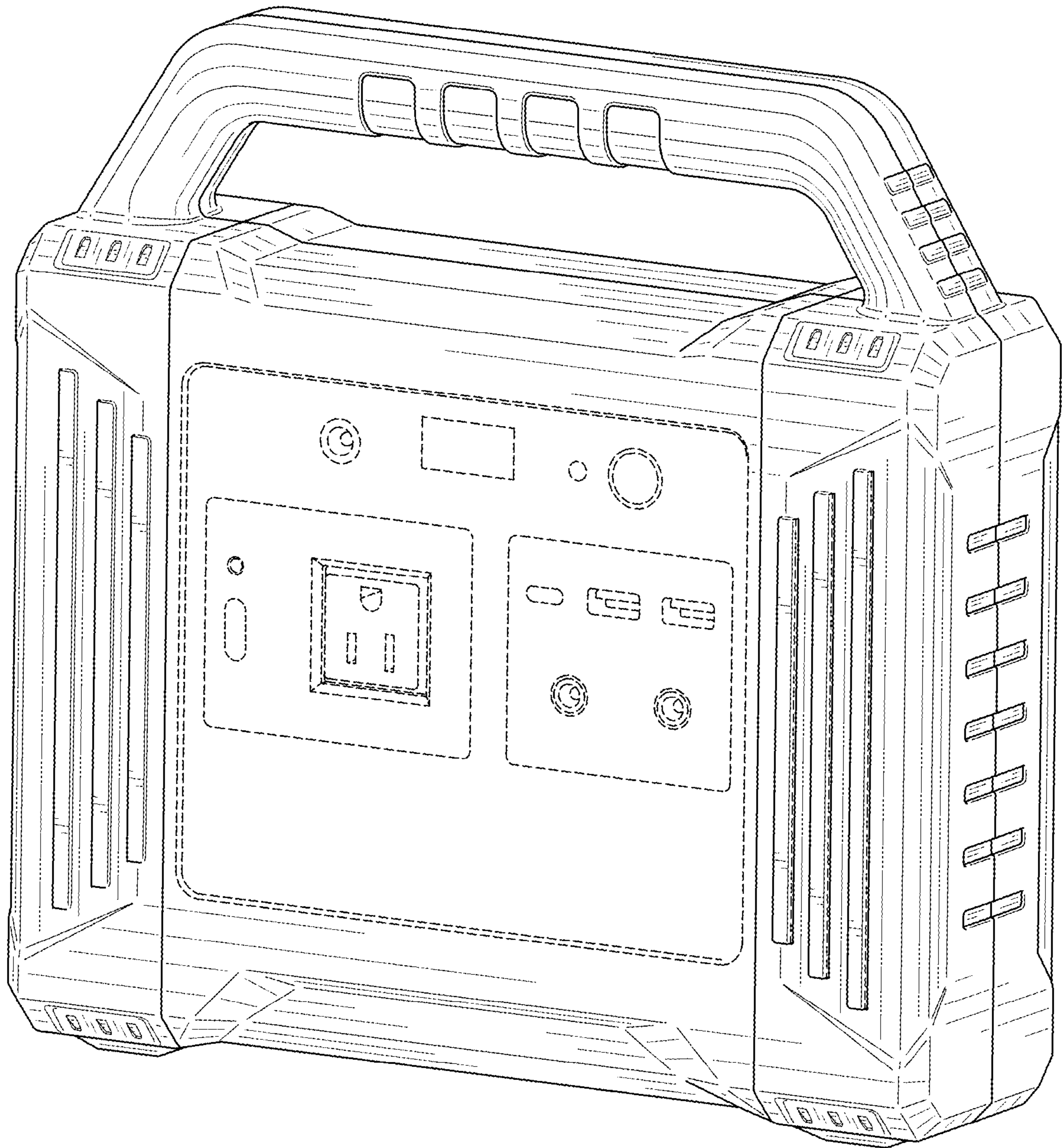


FIG. 1

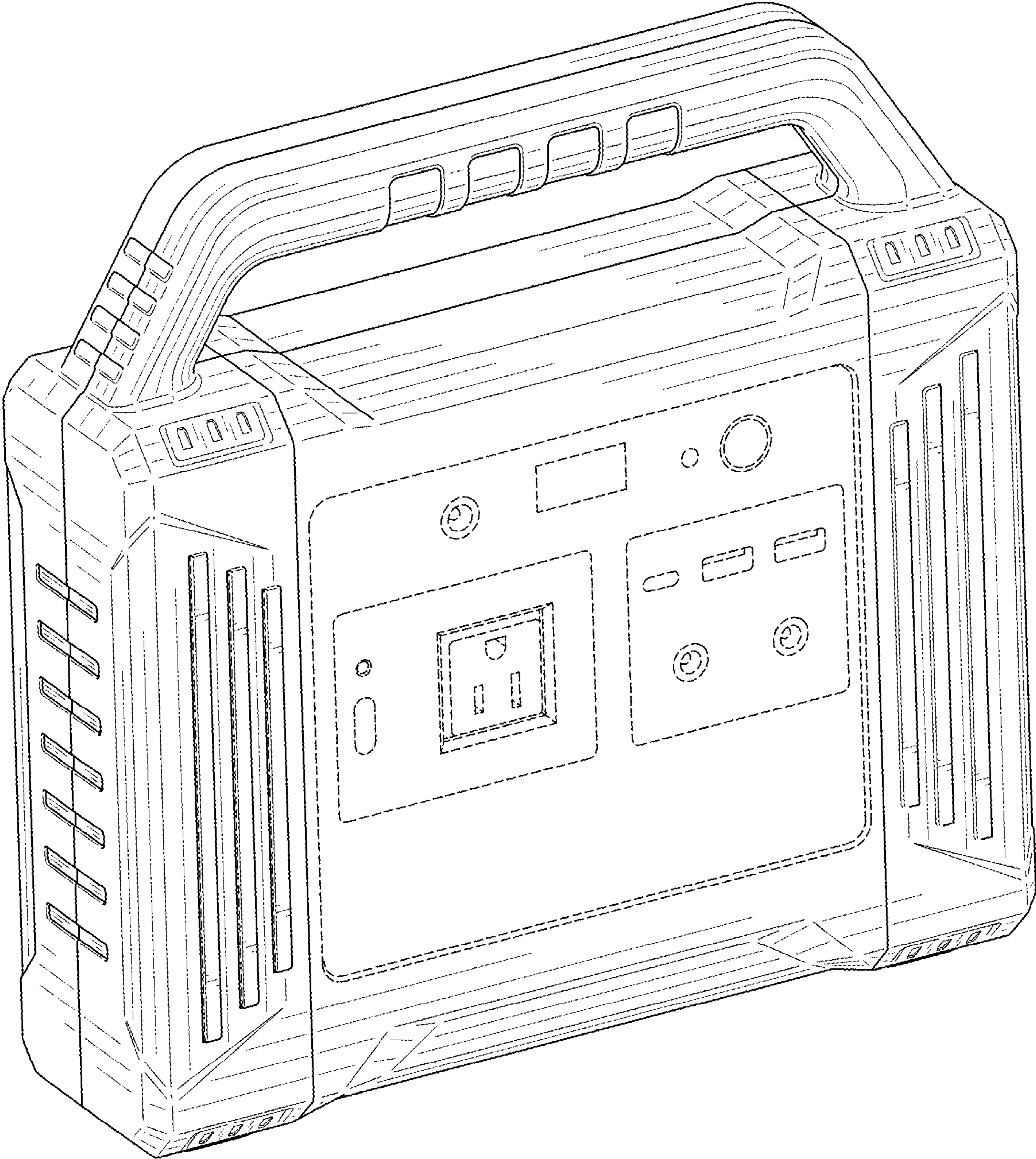


FIG. 2

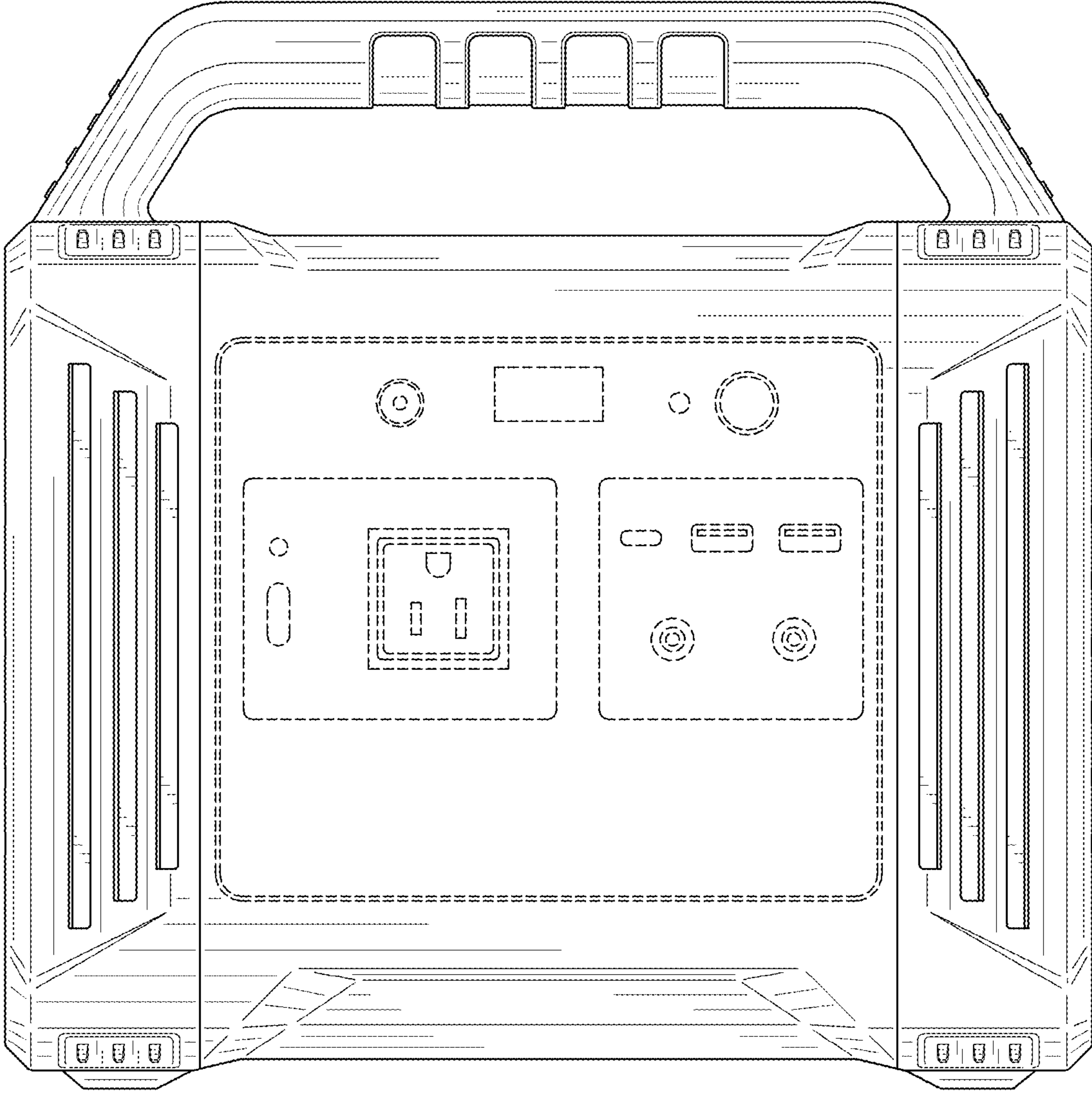


FIG. 3

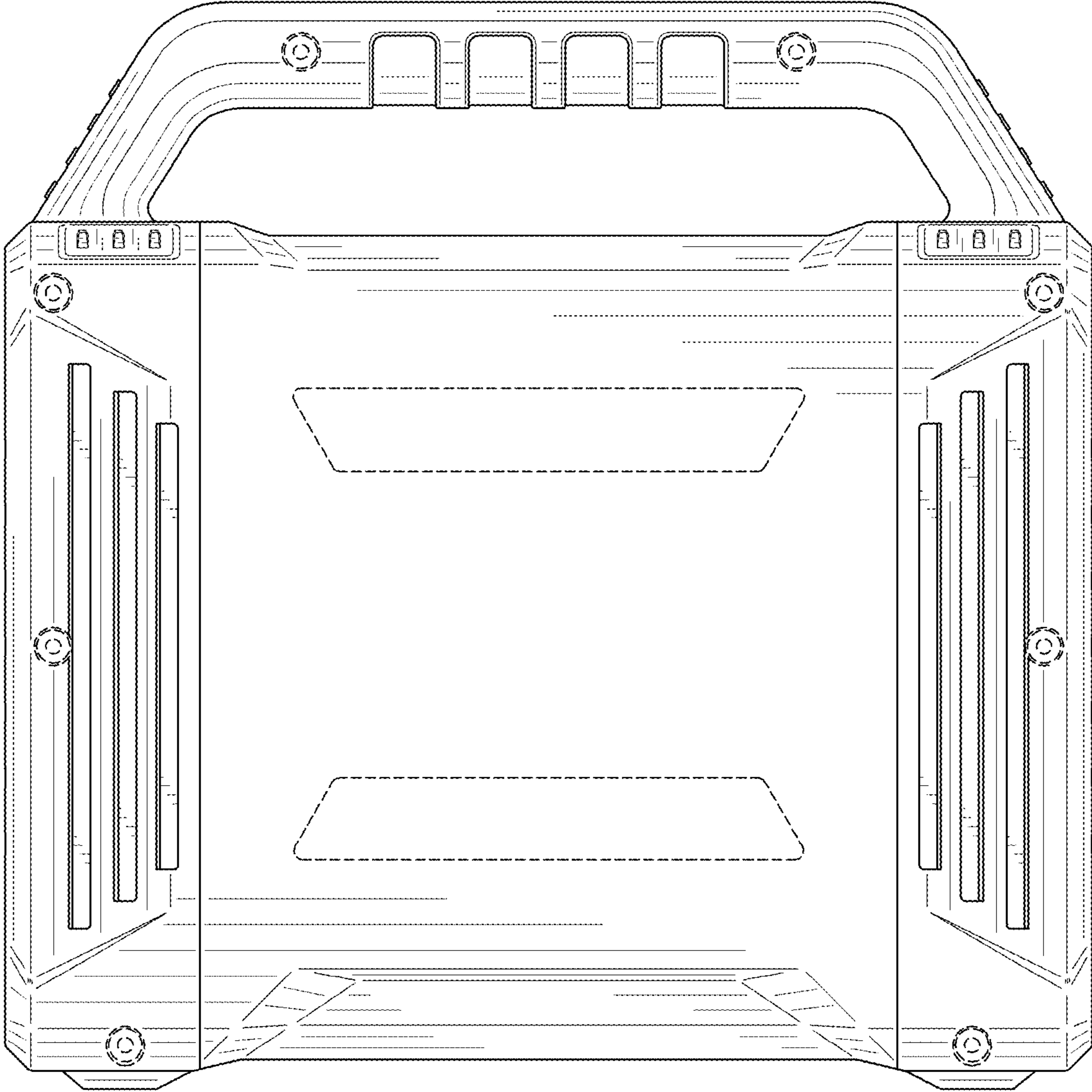


FIG. 4

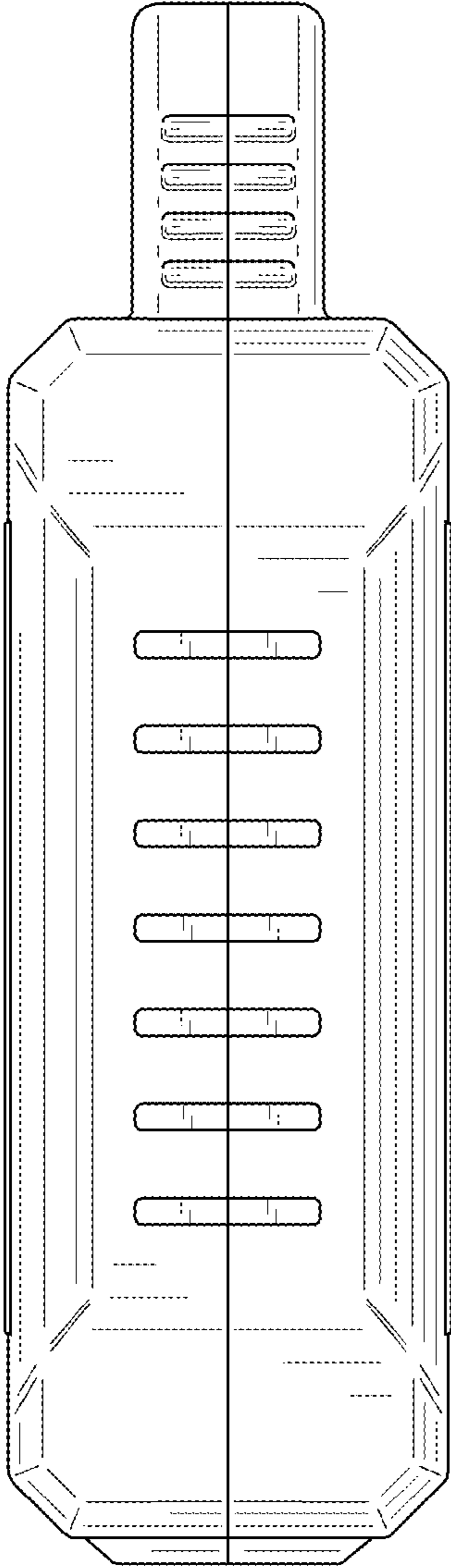


FIG. 5

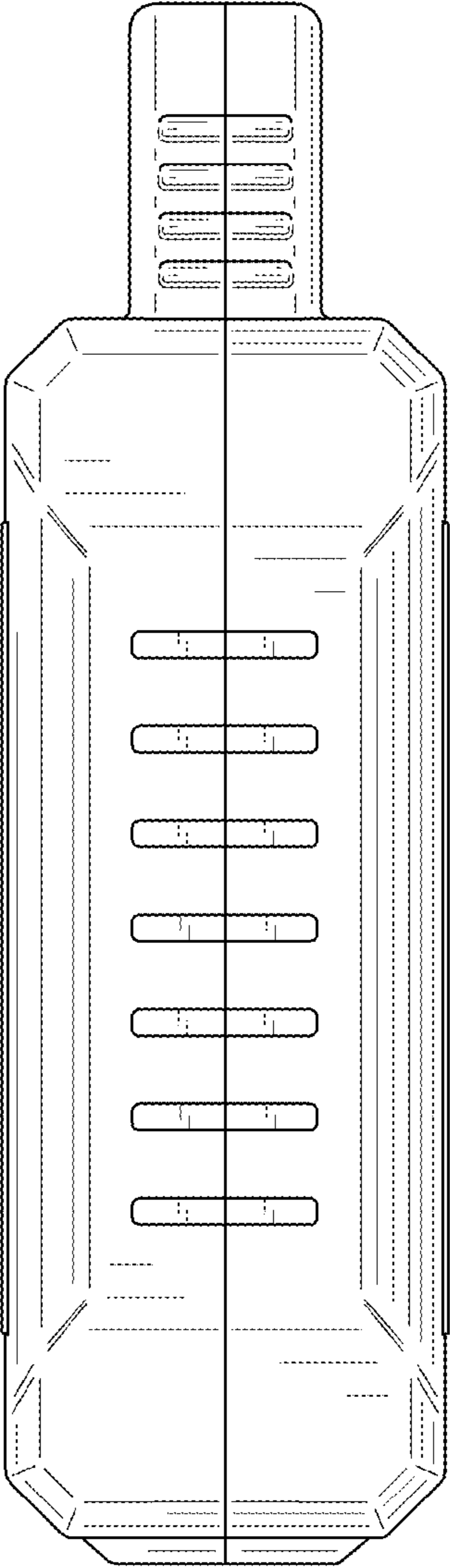


FIG. 6

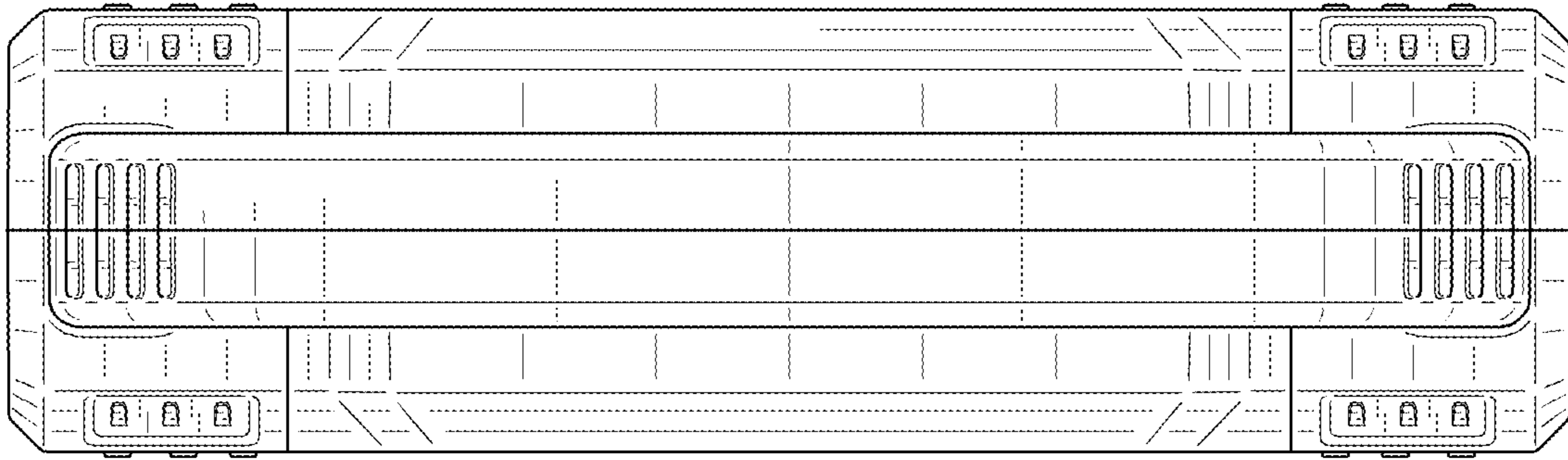


FIG. 7

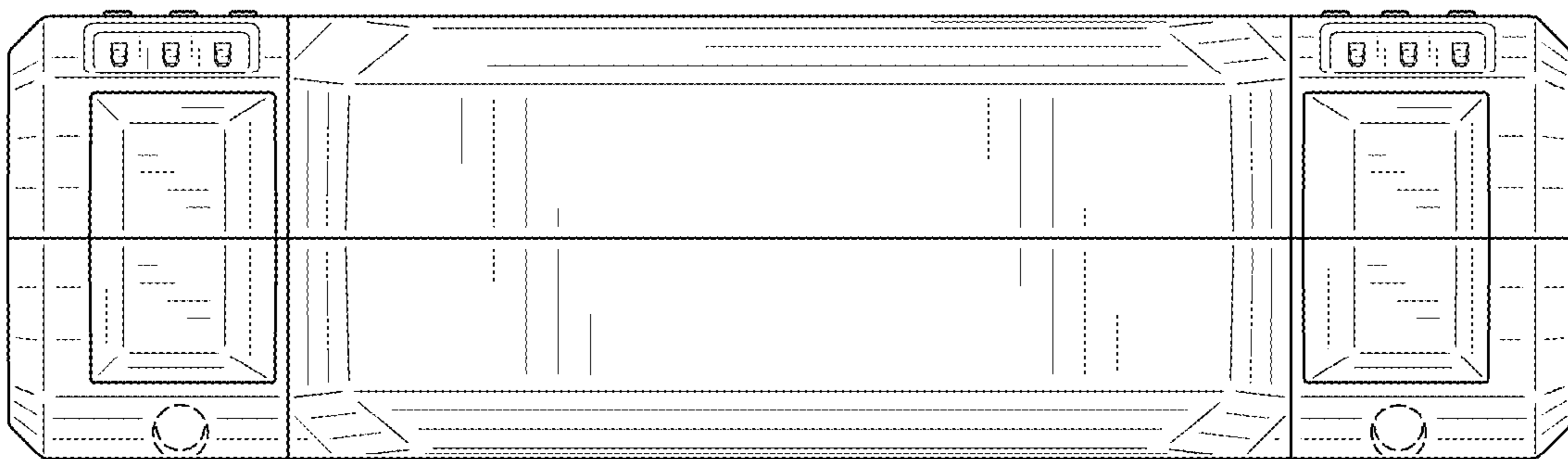


FIG. 8

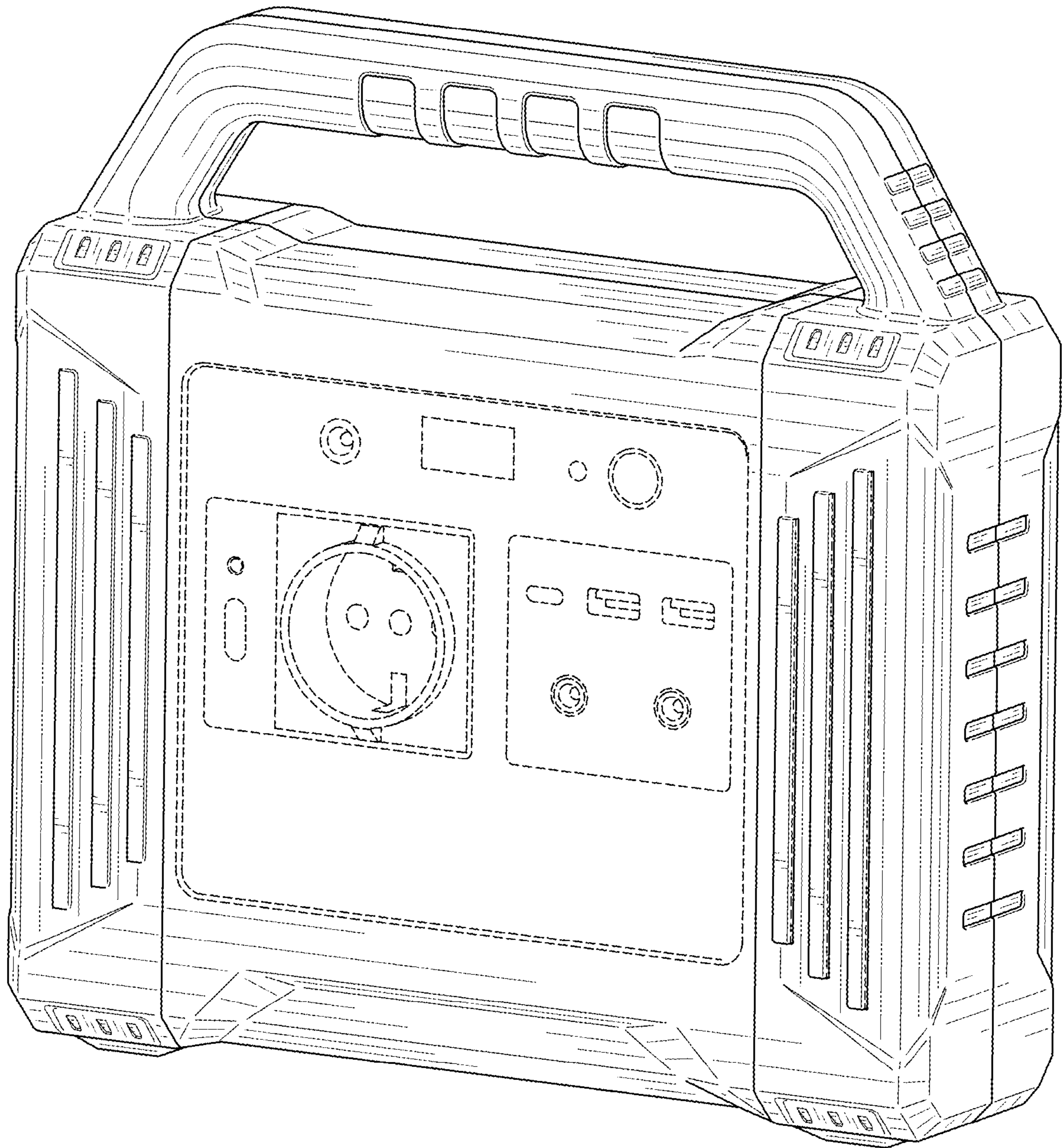


FIG. 9

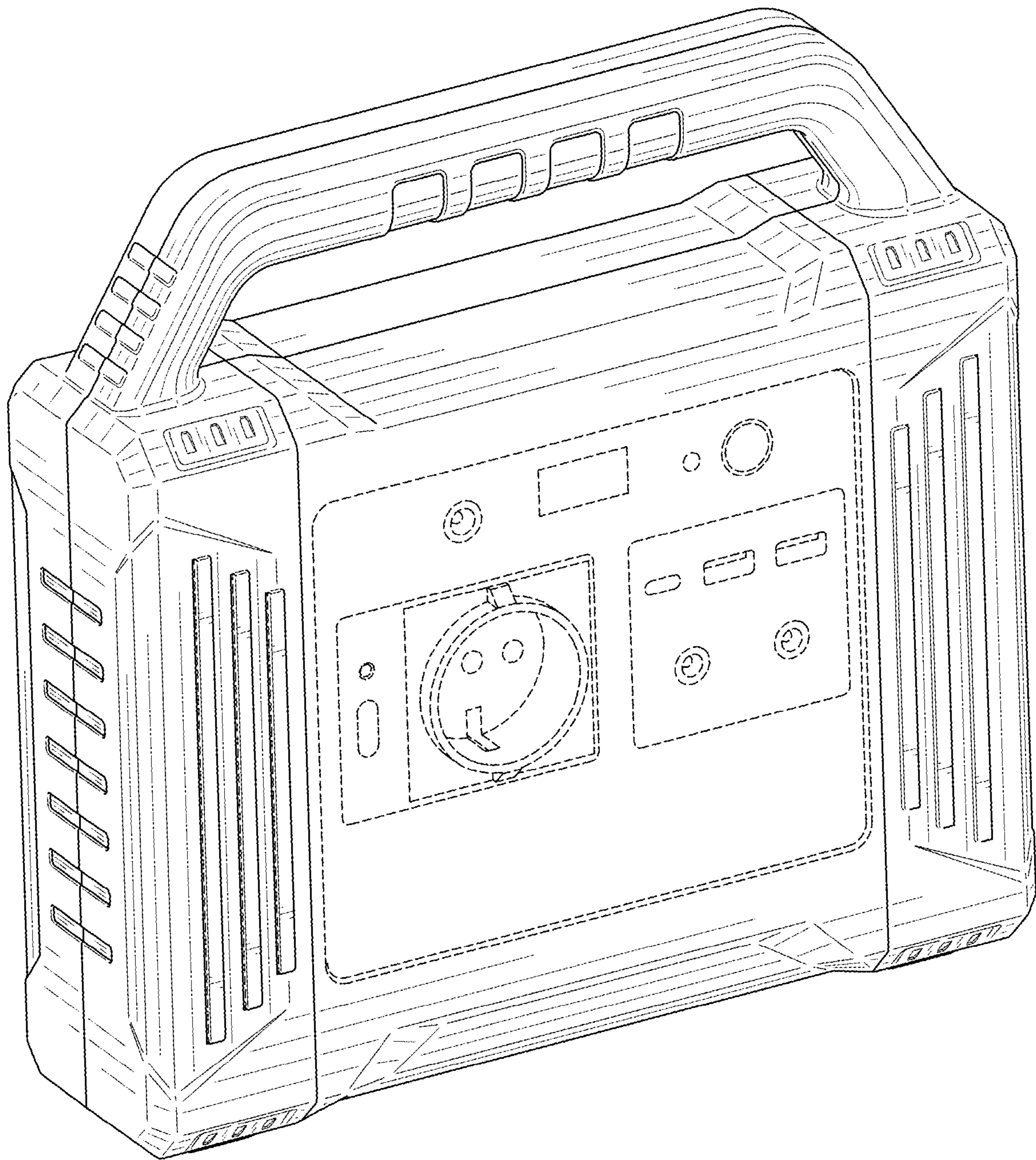


FIG. 10

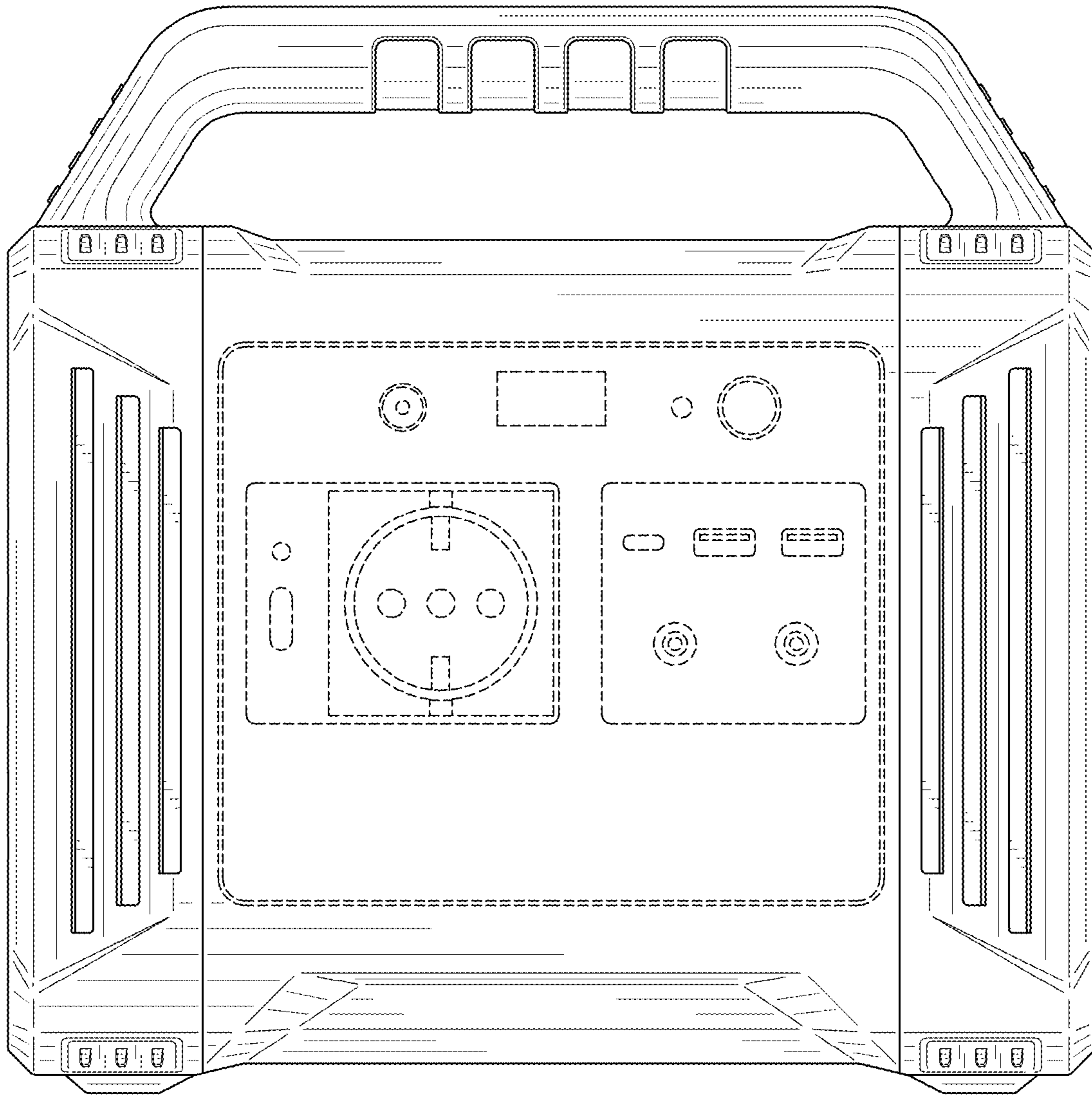


FIG. 11

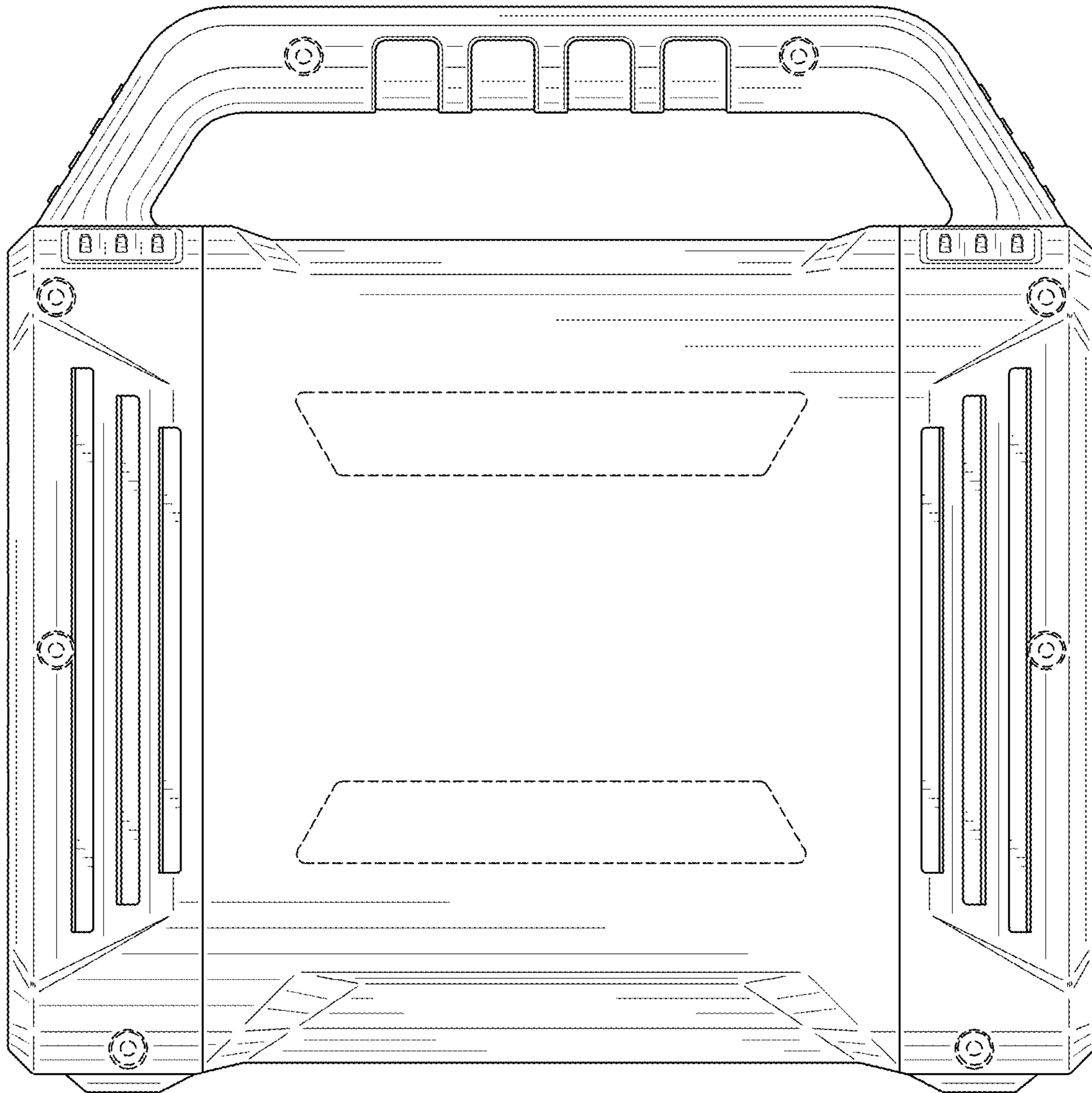


FIG. 12

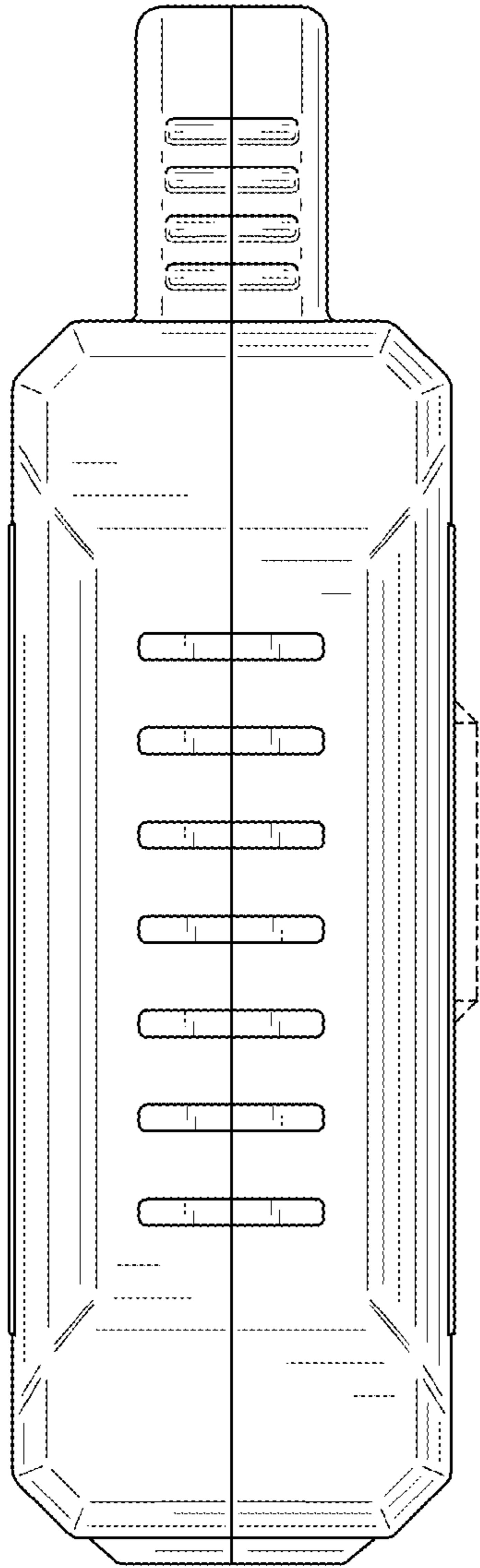


FIG. 13

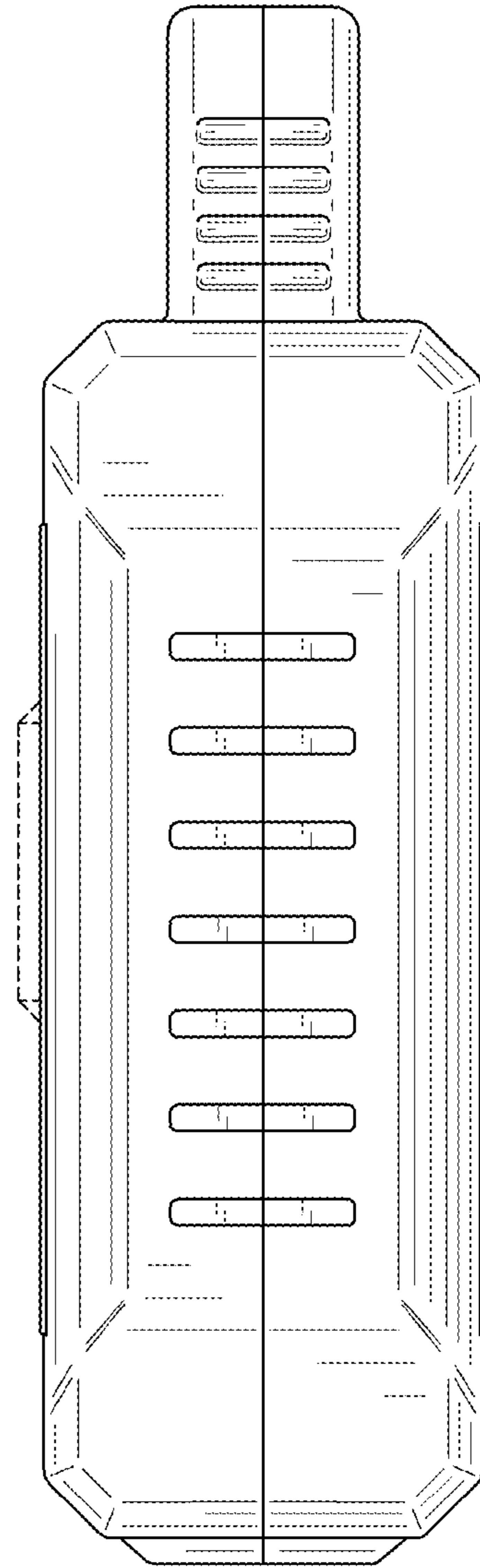


FIG. 14

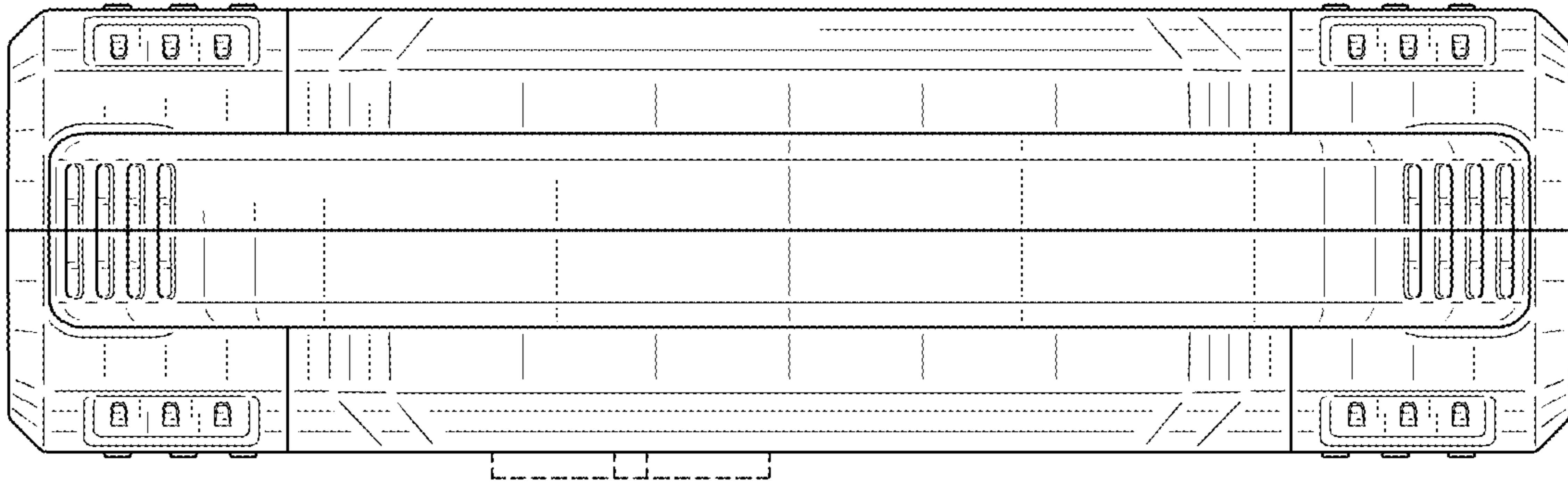


FIG. 15

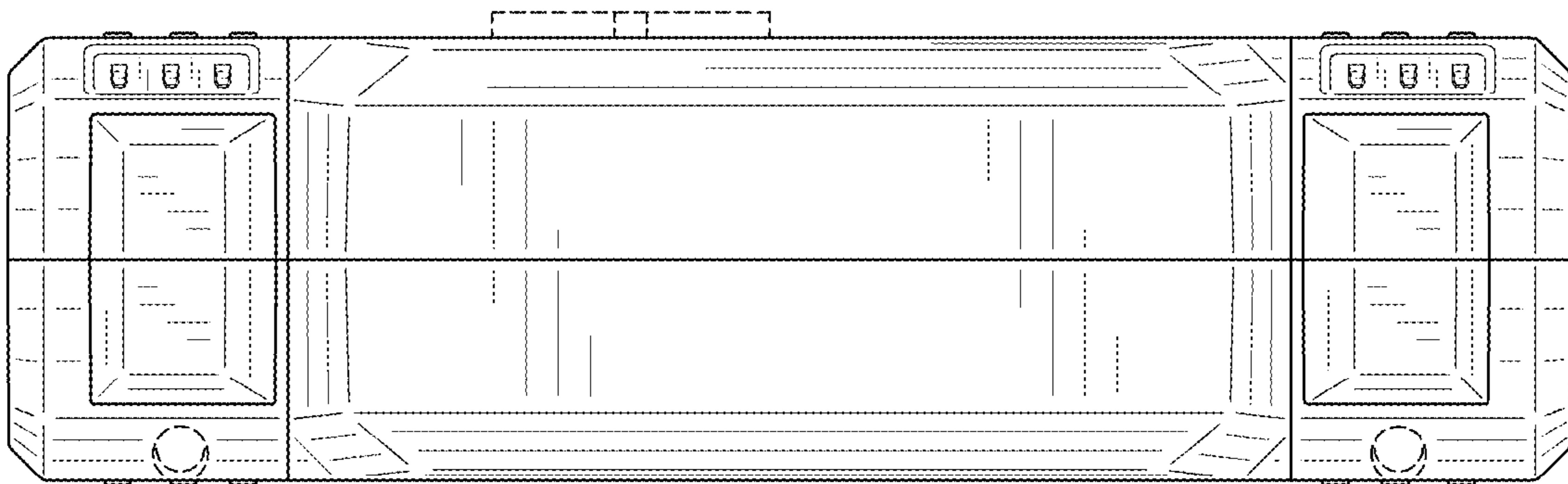


FIG. 16