



US00D871332S

(12) **United States Design Patent** (10) **Patent No.:** **US D871,332 S**
Liao (45) **Date of Patent:** **** Dec. 31, 2019**

(54) **WIRELESS STANDING CHARGING STATION**

(71) Applicant: **Gopod Group Ltd.**,
Shenzhen/Guangdong (CN)

(72) Inventor: **Zhuowen Liao**, Shenzhen (CN)

(73) Assignee: **Gopod Group Ltd.** (CN)

(**) Term: **15 Years**

(21) Appl. No.: **29/672,941**

(22) Filed: **Dec. 11, 2018**

(30) **Foreign Application Priority Data**

Dec. 6, 2018 (CN) 2018 3 0702277

(51) **LOC (12) Cl.** **13-02**

(52) **U.S. Cl.**
USPC **D13/108**

(58) **Field of Classification Search**
USPC D13/103-110, 118, 119, 184, 199;
D14/251, 253, 432, 434

CPC Y02E 60/10; Y02E 60/12; Y02E 60/122;
Y02E 60/124; Y02E 60/50; H01M 2/02;
H01M 2/022; H01M 2/0202; H01M
2/0207; H01M 2/0212; H01M 2/1061;
H01M 2/1022; H01M 2/1055; H01M
2/1066; H01M 2/105; H01M 2/20; H01M
2/202; H01M 2/204; H01M 2/206; H01M
10/44; H01M 10/46; H01M 10/465;
H01M 10/482; H01M 2200/30; H01M
2250/30; H01M 2250/40; H02J 7/00;
H02J 7/0003; H02J 7/0011; H02J 7/0013;
H02J 7/0054; H02J 7/0055; H02J 7/0057;
H02J 2007/0062

See application file for complete search history.

(56) **References Cited**

U.S. PATENT DOCUMENTS

D577,665 S *	9/2008	Kim	D13/107
D639,810 S *	6/2011	Hwang	D13/107
D642,519 S *	8/2011	Woo	D13/108
D642,520 S *	8/2011	Chun	D13/108
D685,322 S *	7/2013	Szymanski	D13/108
D703,133 S *	4/2014	Ireland	D13/108
D705,158 S *	5/2014	Gengler	D13/107
D749,508 S *	2/2016	Ireland	D13/108
D761,201 S *	7/2016	Ireland	D13/108
D771,564 S *	11/2016	Shin	D13/108
D772,812 S *	11/2016	Choe	D13/108
D774,453 S *	12/2016	Yoneta	D13/108
D782,411 S *	3/2017	Mischke	D13/108
D788,699 S *	6/2017	Hoehn	D13/107
D791,072 S *	7/2017	Hoehn	D13/107
D797,668 S *	9/2017	Park	D13/108
D801,922 S *	11/2017	Morenstein	D13/108
D806,024 S *	12/2017	Swen	D13/108

(Continued)

Primary Examiner — Rosemary K Tarcza

Assistant Examiner — Christy M Nemeth

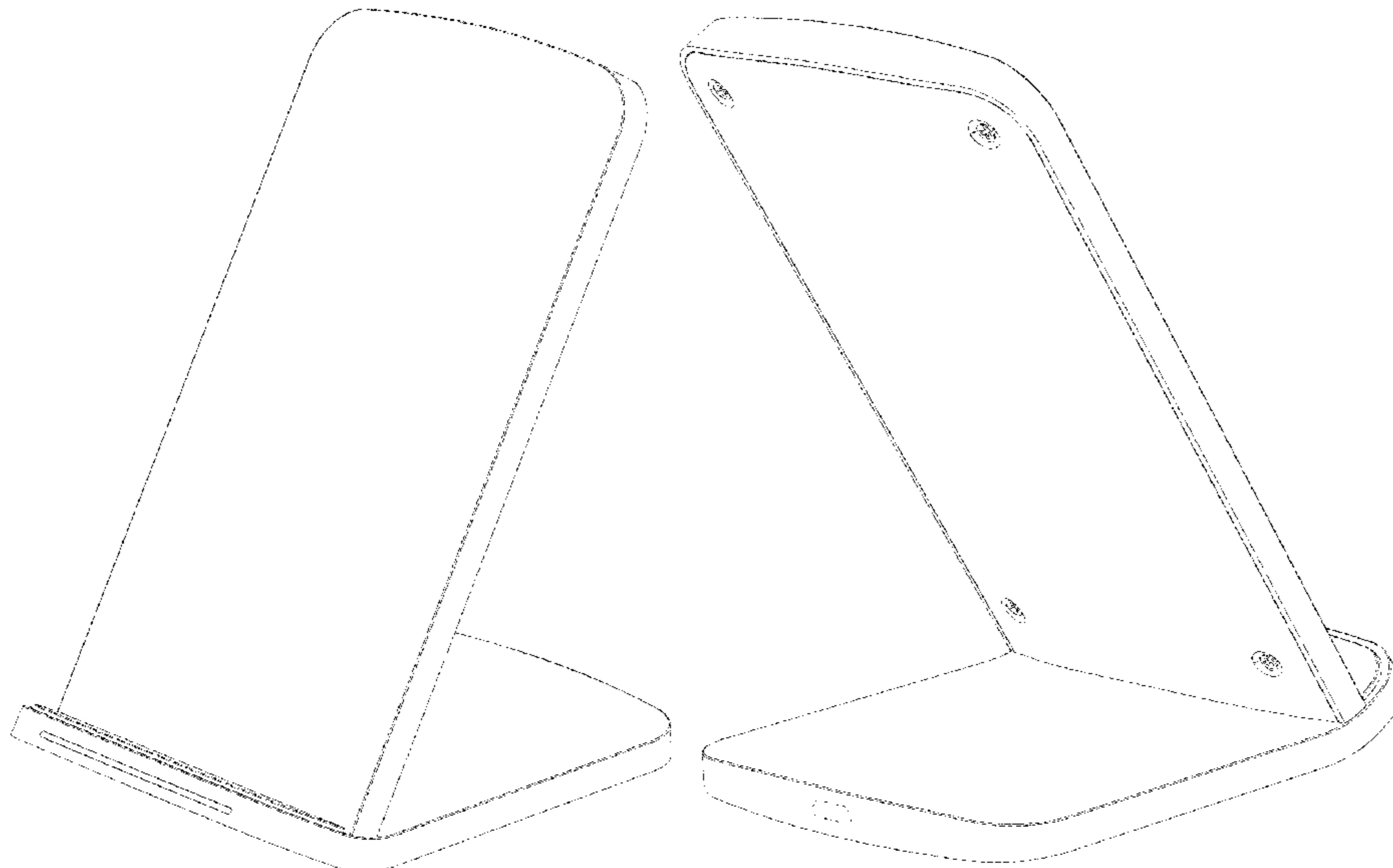
(57) **CLAIM**

The ornamental design for a wireless standing charging station, as shown and described.

DESCRIPTION

FIG. 1 is a front view of a wireless standing charging station showing my new design;
FIG. 2 is a right side view thereof;
FIG. 3 is a rear view thereof;
FIG. 4 is a left side view thereof;
FIG. 5 is a top view thereof;
FIG. 6 is a bottom view thereof;
FIG. 7 is a top, front, left side perspective view thereof; and,
FIG. 8 is a top, rear, right side perspective view thereof.
The broken lines shown in the drawings illustrate portions of the wireless standing charging station that form no part of the claimed design.

1 Claim, 8 Drawing Sheets



(56)

References Cited

U.S. PATENT DOCUMENTS

D812,564	S	*	3/2018	Feng	D13/108
D819,563	S	*	6/2018	Wei	D13/108
D832,783	S	*	11/2018	Leabman	D13/108
D835,079	S	*	12/2018	Yun	D14/224
D840,930	S	*	2/2019	Lu	D13/108
D841,578	S	*	2/2019	Kim	D13/108
D845,896	S	*	4/2019	Hu	D13/108
D847,739	S	*	5/2019	Yun	D13/108
D847,740	S	*	5/2019	Yamanouchi	D13/108
D849,682	S	*	5/2019	Dou	D13/108
D851,036	S	*	6/2019	Saangloef	D13/108
D851,587	S	*	6/2019	Schmidt	D13/108
D857,019	S	*	8/2019	Mecchella	D14/434
D857,625	S	*	8/2019	Cao	D13/108
D859,308	S	*	9/2019	Connell	D13/108
D860,132	S	*	9/2019	Fu	D13/108
D861,598	S	*	10/2019	Xiao	D13/108
D861,599	S	*	10/2019	Choi	D13/108
D861,601	S	*	10/2019	Lin	D13/108

* cited by examiner

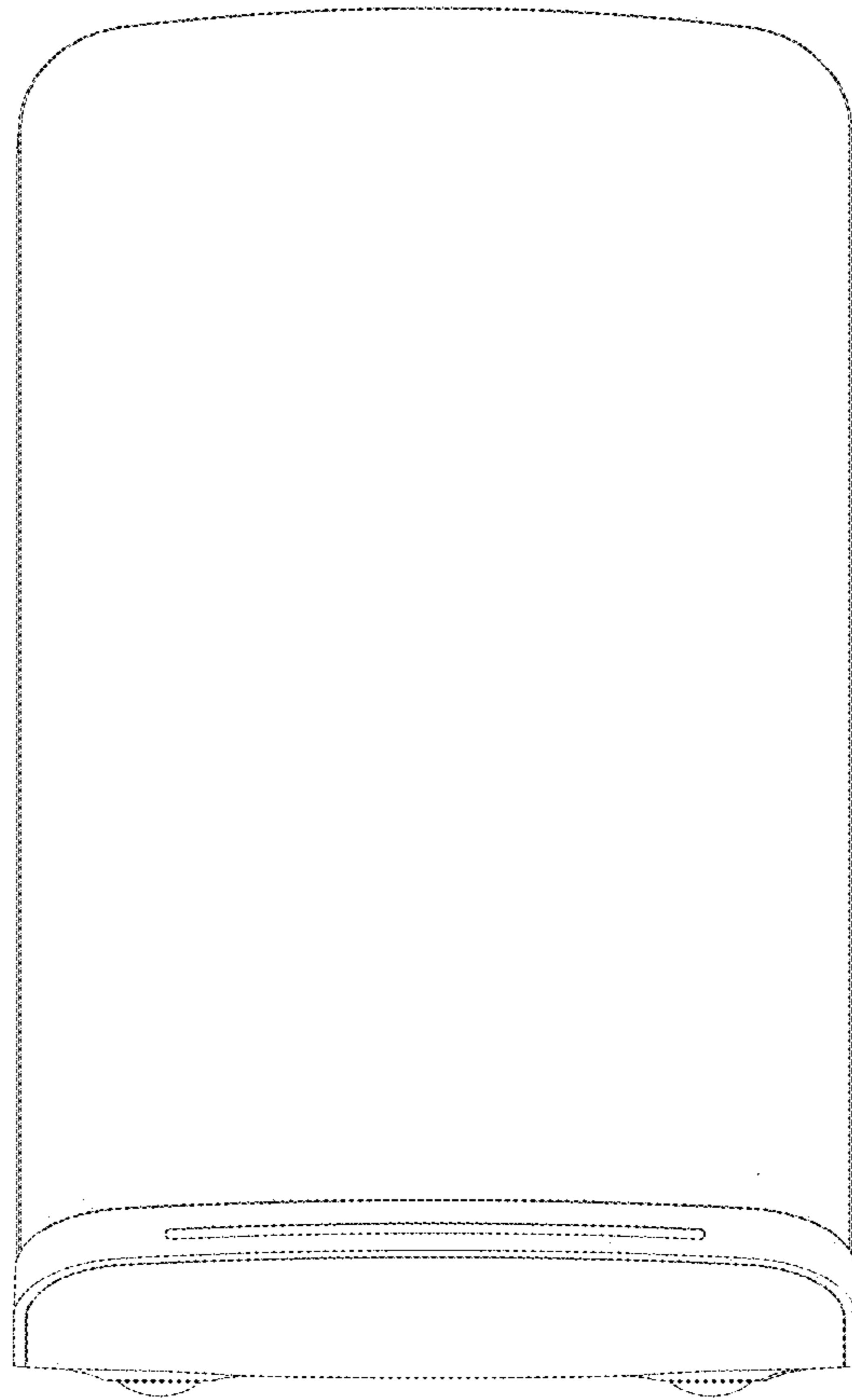


FIG. 1

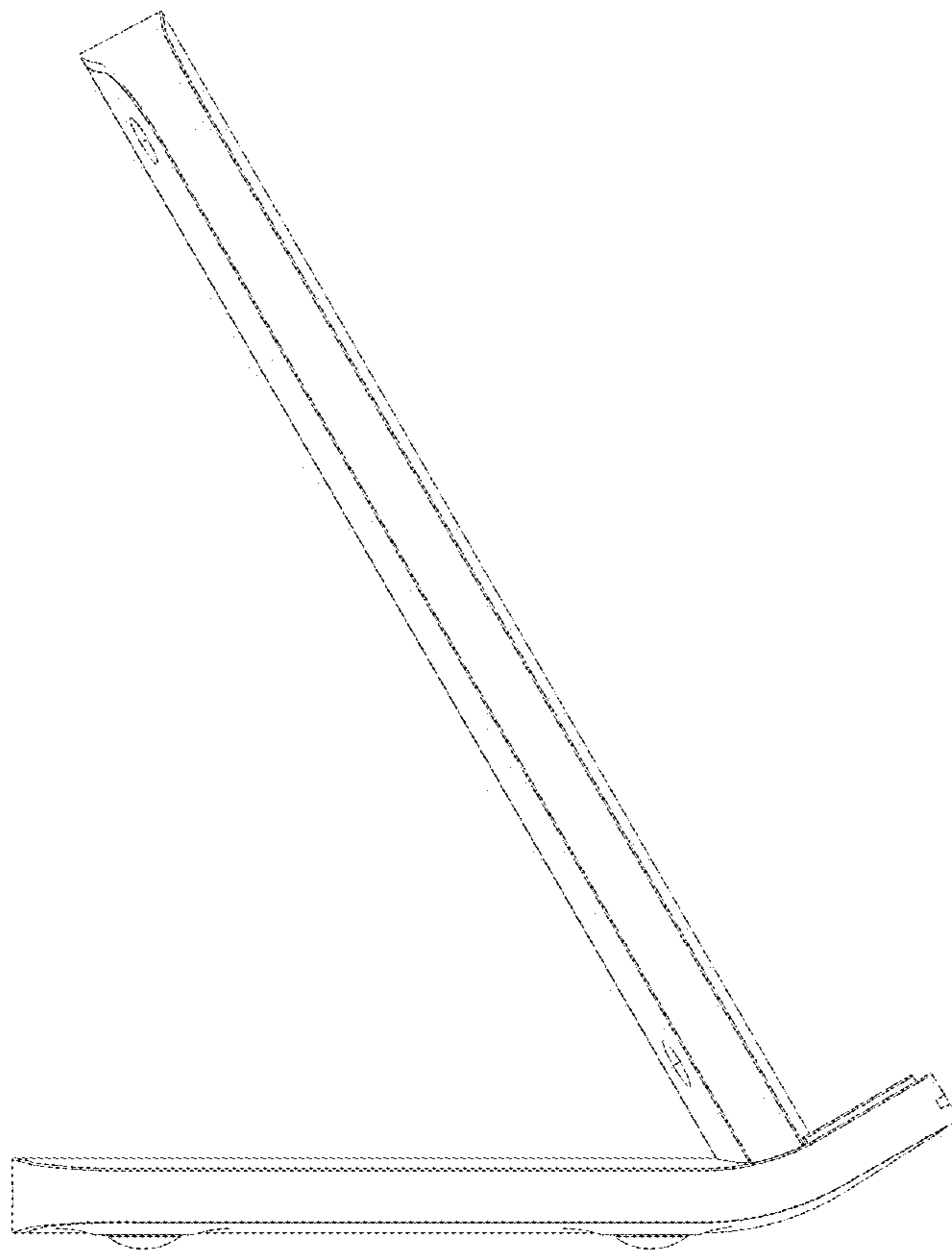


FIG. 2

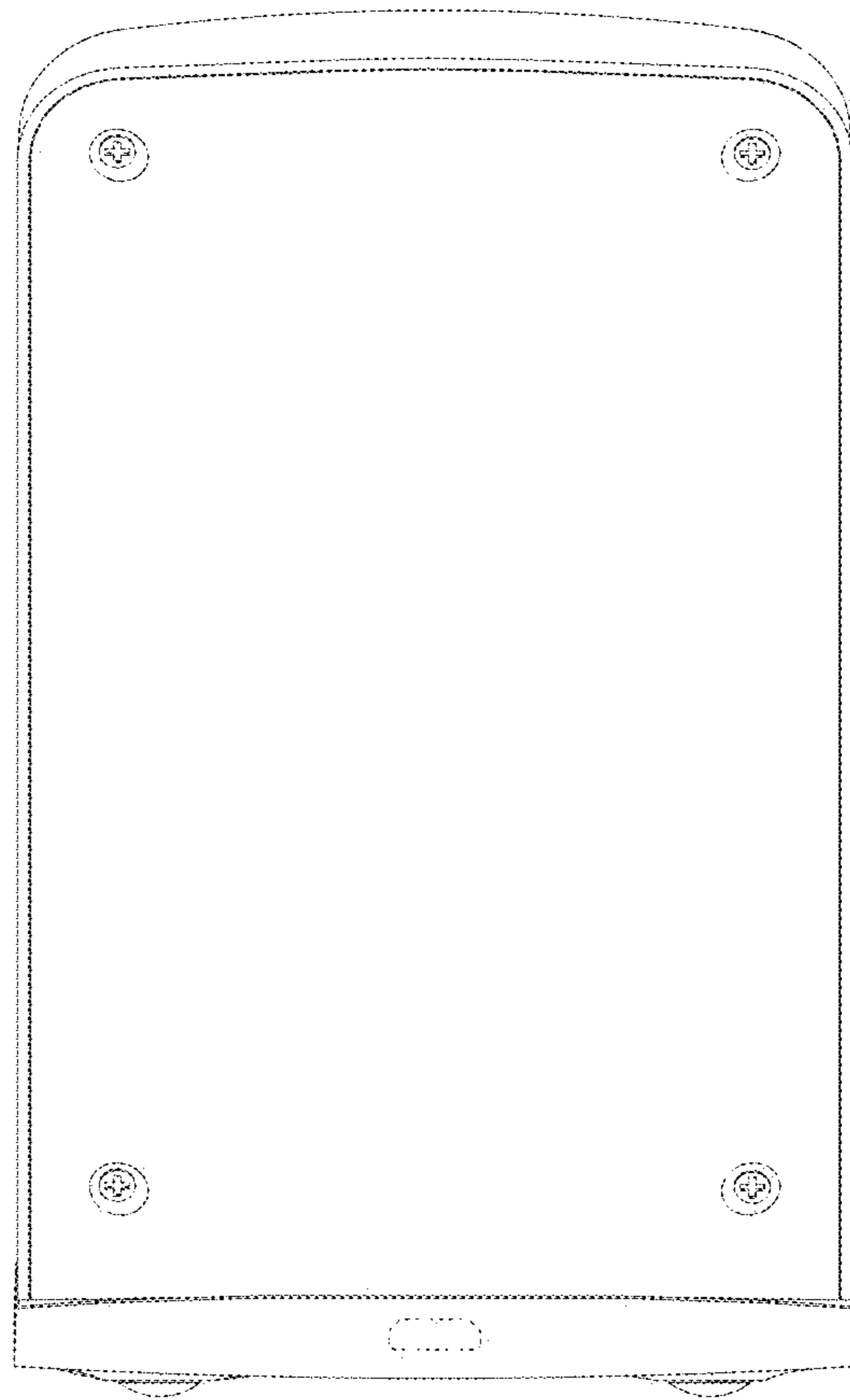


FIG. 3

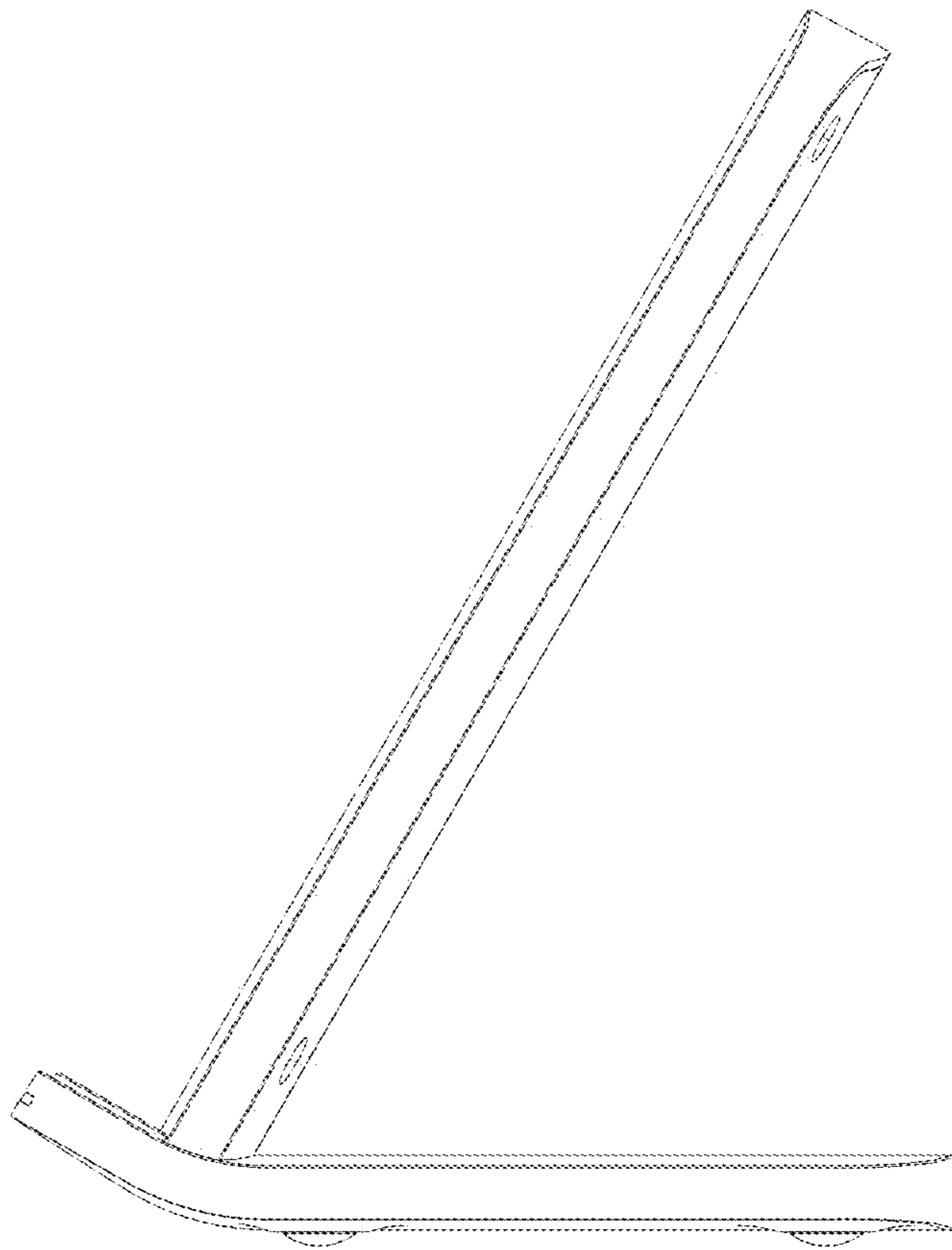


FIG. 4

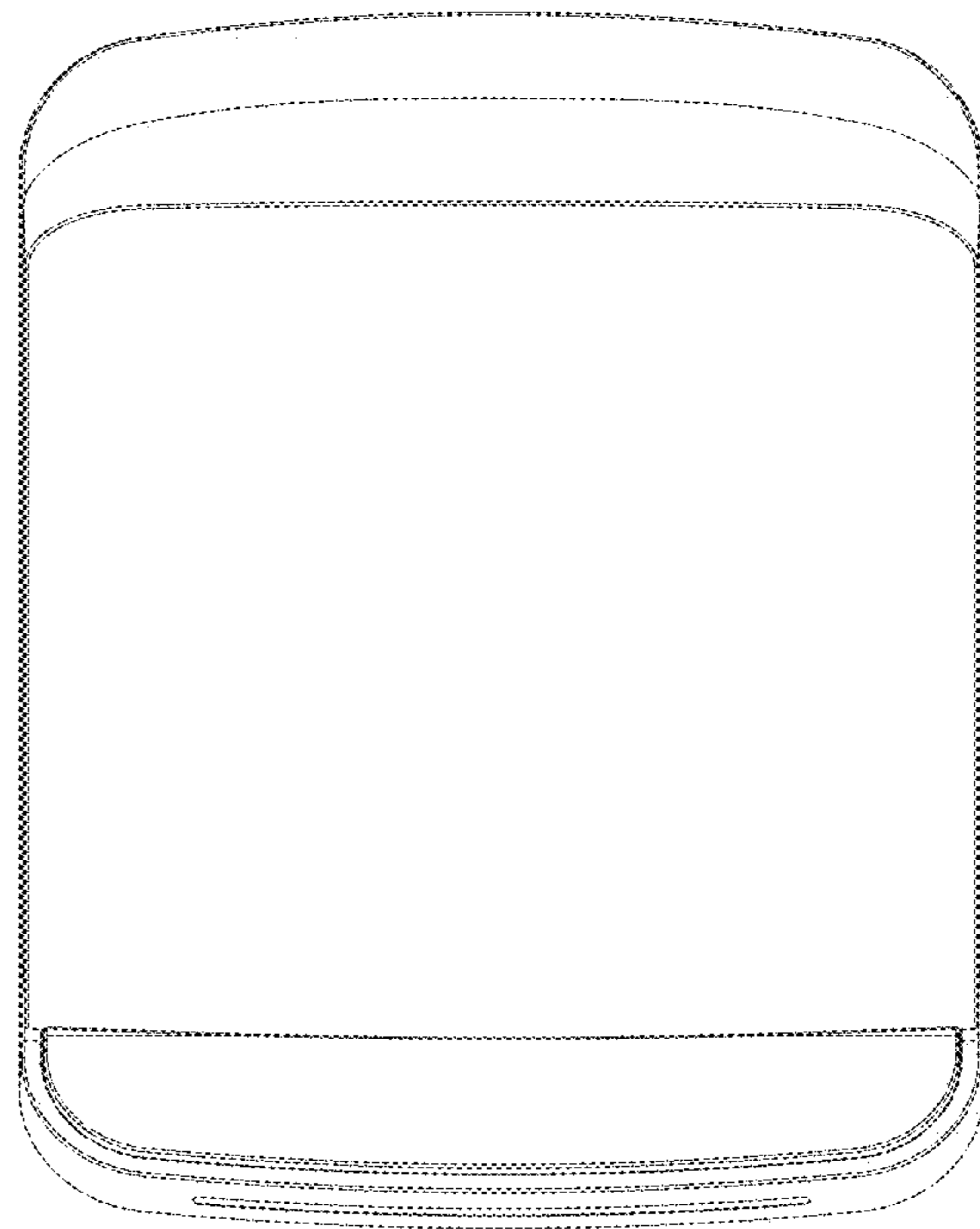


FIG. 5

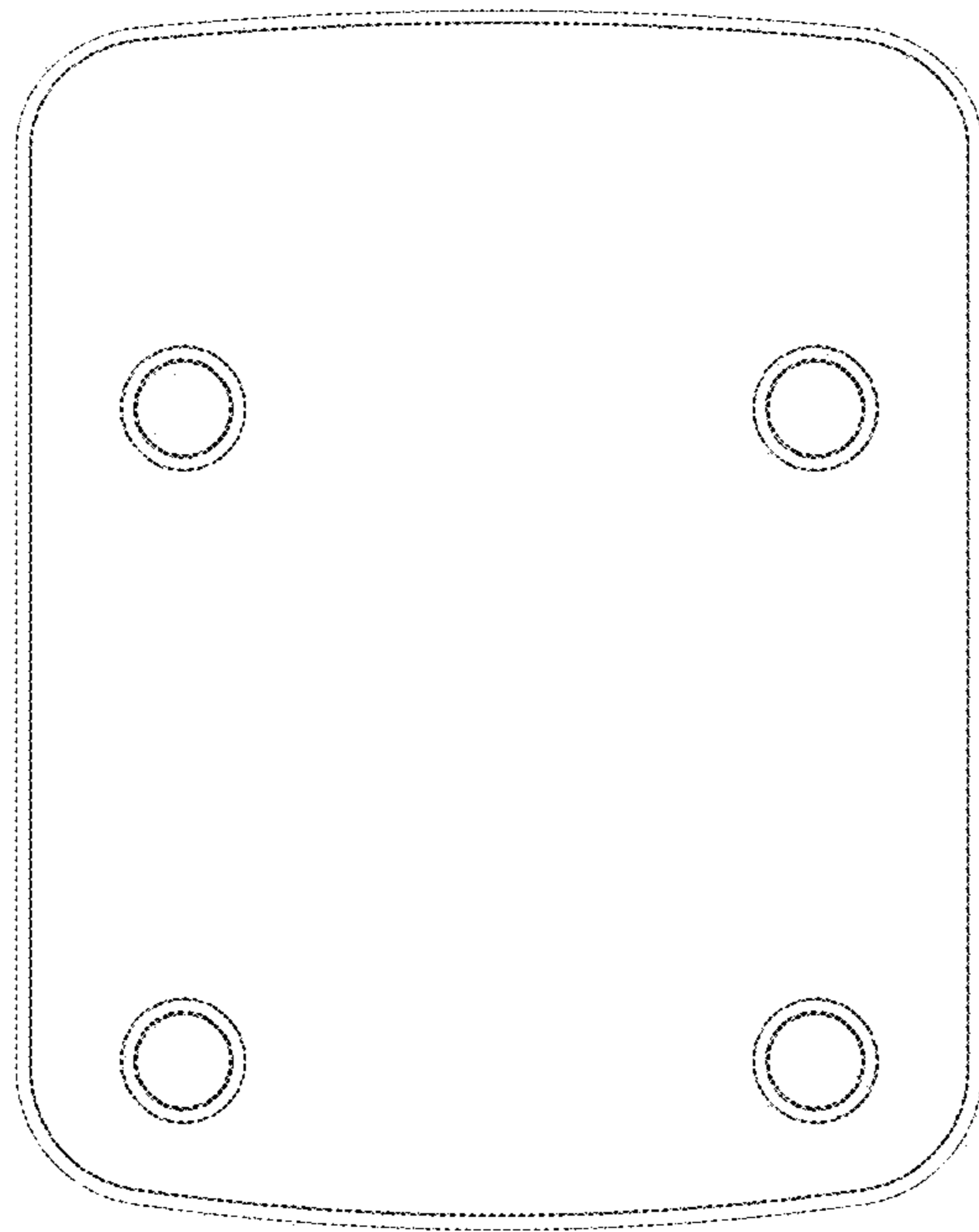


FIG. 6

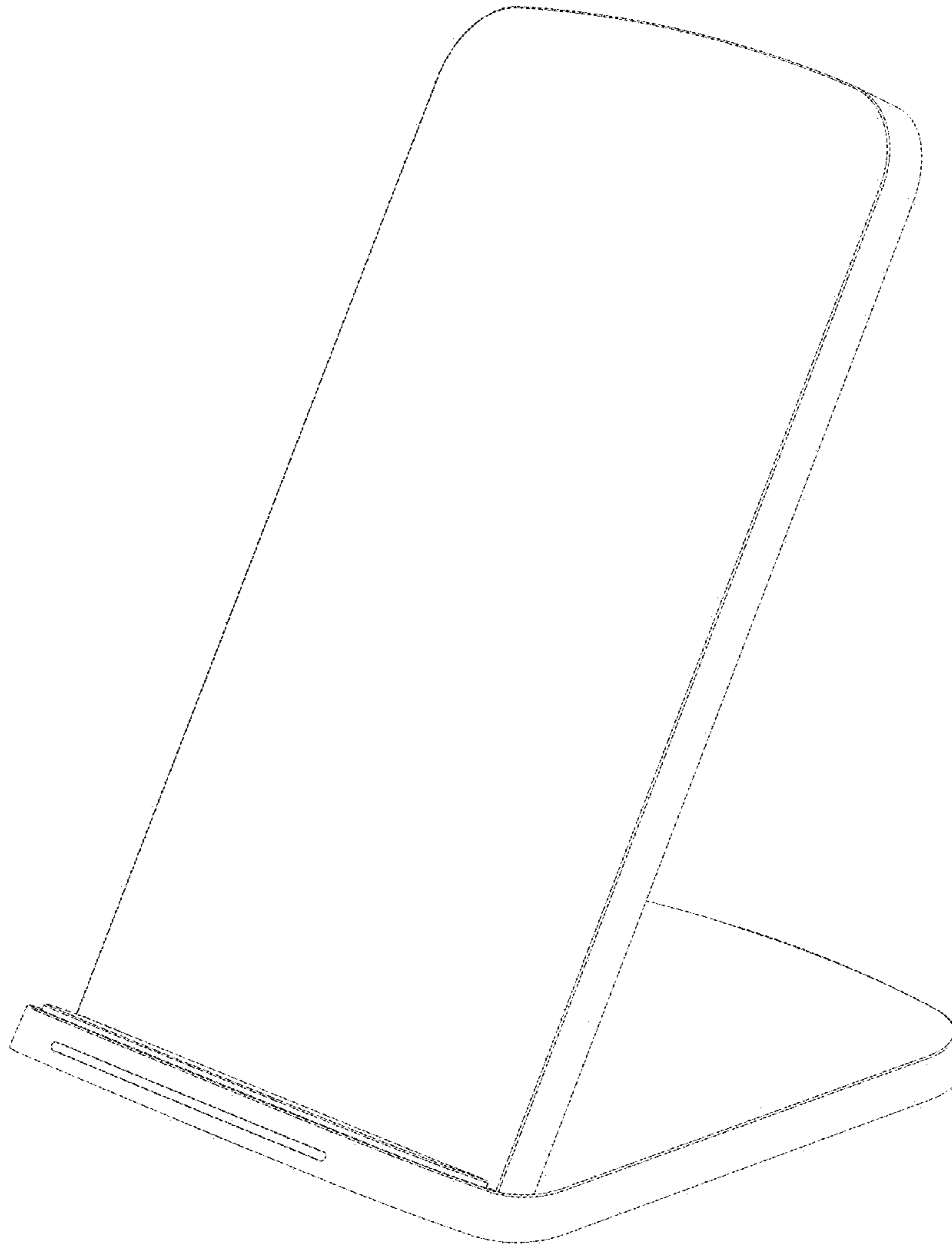


FIG. 7

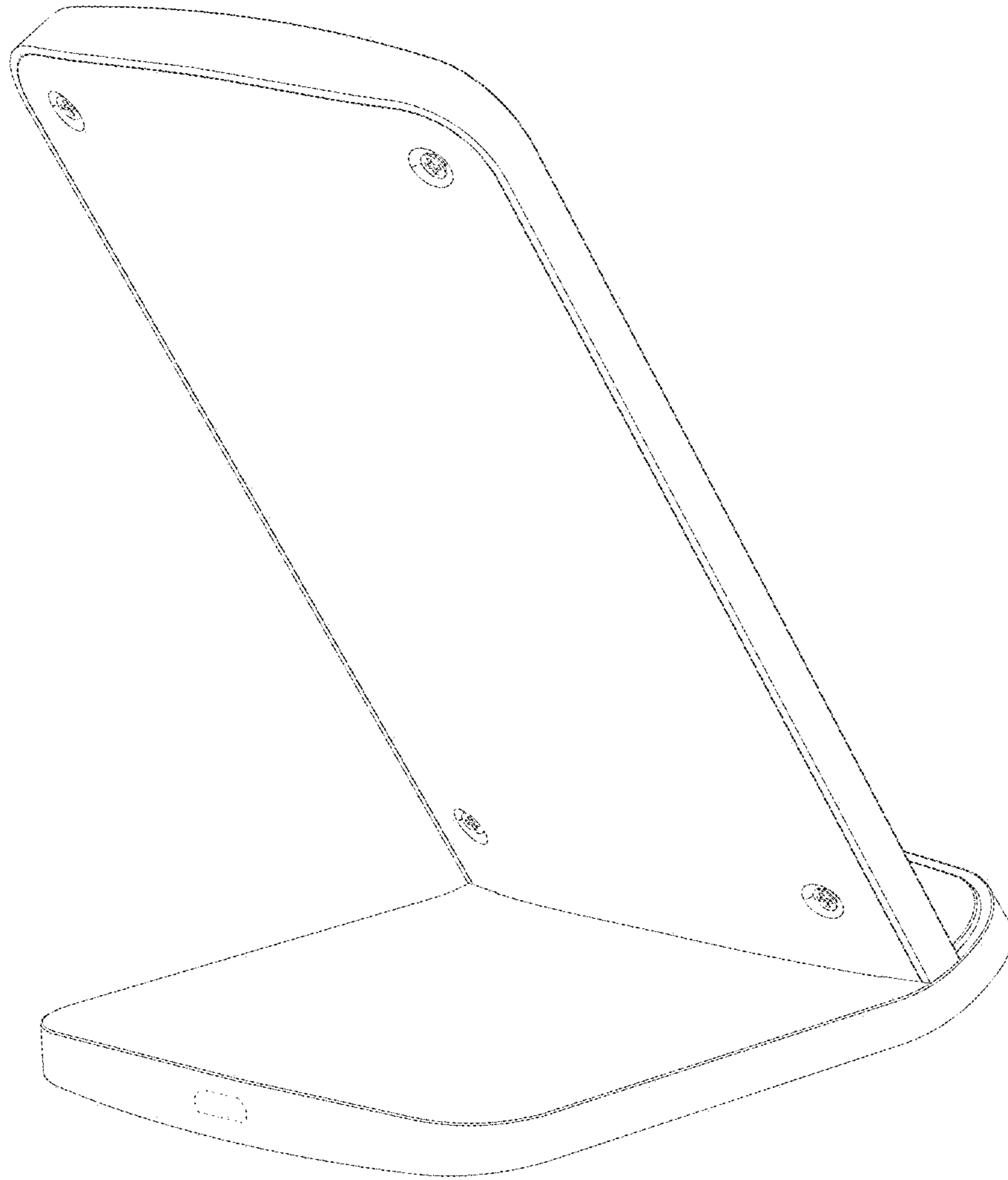


FIG. 8