

US00D871330S

(12) **United States Design Patent**
Chen

(10) **Patent No.:** **US D871,330 S**

(45) **Date of Patent:** **** Dec. 31, 2019**

- (54) **BATTERY BOX ASSEMBLY**
- (71) Applicant: **TIMOTION TECHNOLOGY CO., LTD.**, New Taipei (TW)
- (72) Inventor: **Yi-Chun Chen**, New Taipei (TW)
- (73) Assignee: **TIMOTION TECHNOLOGY CO., LTD.**, New Taipei (TW)
- (**) Term: **15 Years**
- (21) Appl. No.: **29/662,108**
- (22) Filed: **Sep. 1, 2018**
- (51) **LOC (12) Cl.** **13-02**
- (52) **U.S. Cl.**
USPC **D13/108**; D13/103
- (58) **Field of Classification Search**
USPC D13/103, 107-108, 110, 118-119, 184, D13/199; D14/251, 253, 432, 434
CPC H02J 7/00; H02J 7/0003; H02J 7/0011; H02J 7/0013; H02J 7/025; H02J 7/0054; H02J 7/0055; H02J 7/0057; H02J 5/00; H02J 5/005; H02J 50/00; H02J 50/10; H02J 50/12; H02J 50/50; H02J 50/80; H01M 10/46; H01M 10/465; H01M 2200/30; H01M 2250/30
See application file for complete search history.

D709,823 S *	7/2014	Corley	D13/103
D713,786 S *	9/2014	Wen	D13/103
D733,043 S *	6/2015	Hasbrook	D13/103
D760,647 S *	7/2016	Chen	D13/103
D762,169 S *	7/2016	Lei	D13/108
D762,170 S *	7/2016	Lei	D13/108
D767,486 S *	9/2016	Yu	D13/103
D769,188 S *	10/2016	Miller	D13/107
D786,192 S *	5/2017	Liu	D13/107
D787,443 S *	5/2017	Chiang	D13/110
D819,564 S *	6/2018	Kim	D13/108
D826,854 S *	8/2018	Roberts	D13/108
D835,573 S *	12/2018	Chen	D13/103
D843,316 S *	3/2019	Zhou	D13/108
D845,229 S *	4/2019	Chen	D13/103
D853,322 S *	7/2019	Xu	D13/108
D853,958 S *	7/2019	Lei	D13/108
D862,384 S *	10/2019	Jen	D13/108

* cited by examiner

Primary Examiner — Rosemary K Tarcza

(74) *Attorney, Agent, or Firm* — Chun-Ming Shih; HDLS IPR Services

(57) **CLAIM**

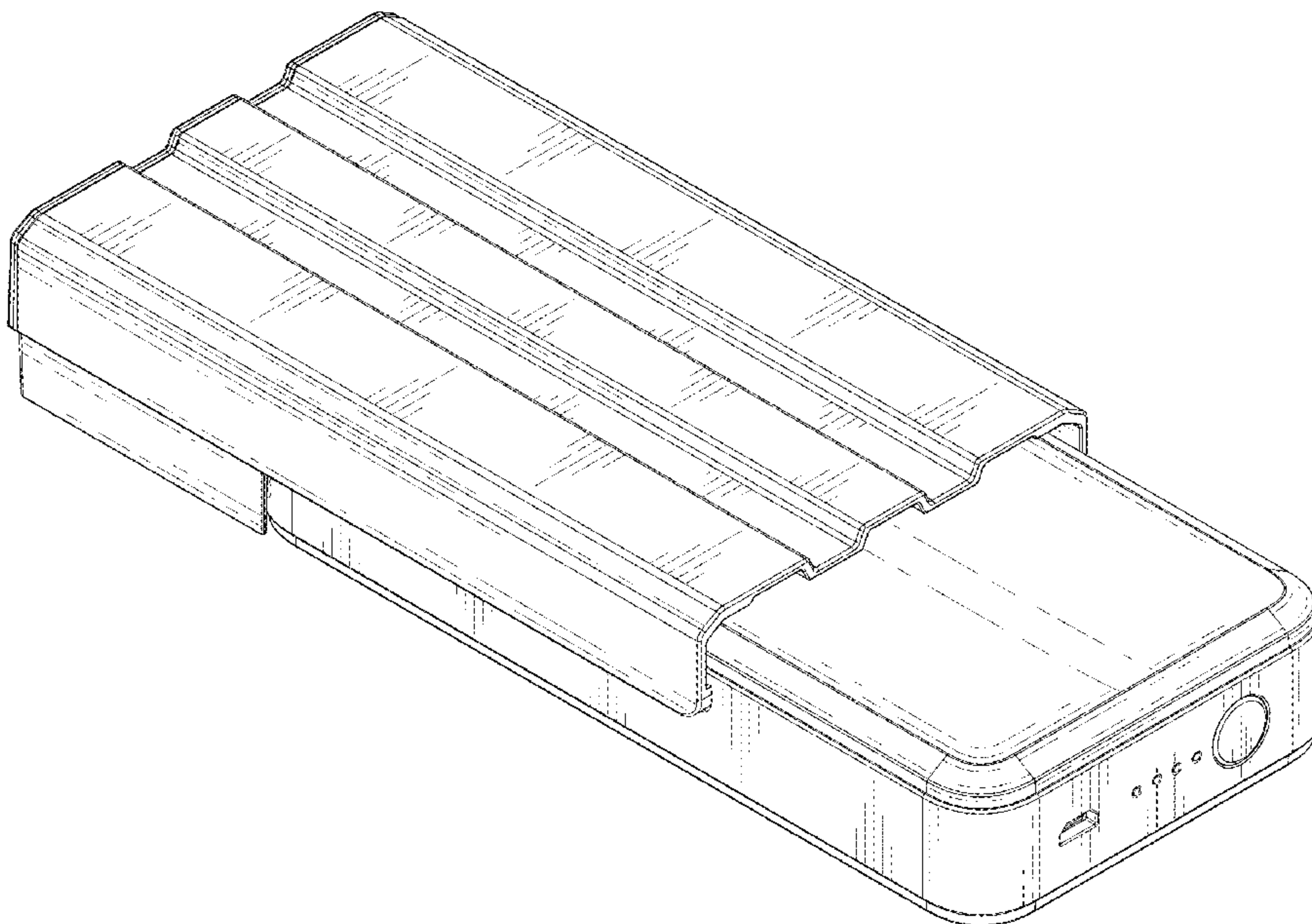
The ornamental design for a battery box assembly, as shown and described.

DESCRIPTION

FIG. 1 is a top perspective view of a battery box assembly showing my new design.
 FIG. 2 is a front view thereof;
 FIG. 3 is a rear view thereof;
 FIG. 4 is a left side view thereof;
 FIG. 5 is a right side view thereof;
 FIG. 6 is a top view thereof;
 FIG. 7 is a bottom view thereof; and,
 FIG. 8 is a bottom perspective view showing the battery box assembly.

1 Claim, 8 Drawing Sheets

- (56) **References Cited**
U.S. PATENT DOCUMENTS
- | | | | | |
|--------------|---------|-----------|-------|---------|
| D517,007 S * | 3/2006 | Yong-Jian | | D13/108 |
| D535,252 S * | 1/2007 | Sandnes | | D13/108 |
| D650,737 S * | 12/2011 | Hamilton | | D13/103 |
| D654,429 S * | 2/2012 | Li | | D13/103 |
| D678,187 S * | 3/2013 | Huang | | D13/103 |
| D682,777 S * | 5/2013 | Gupta | | D13/103 |
| D705,719 S * | 5/2014 | Wong | | D13/103 |



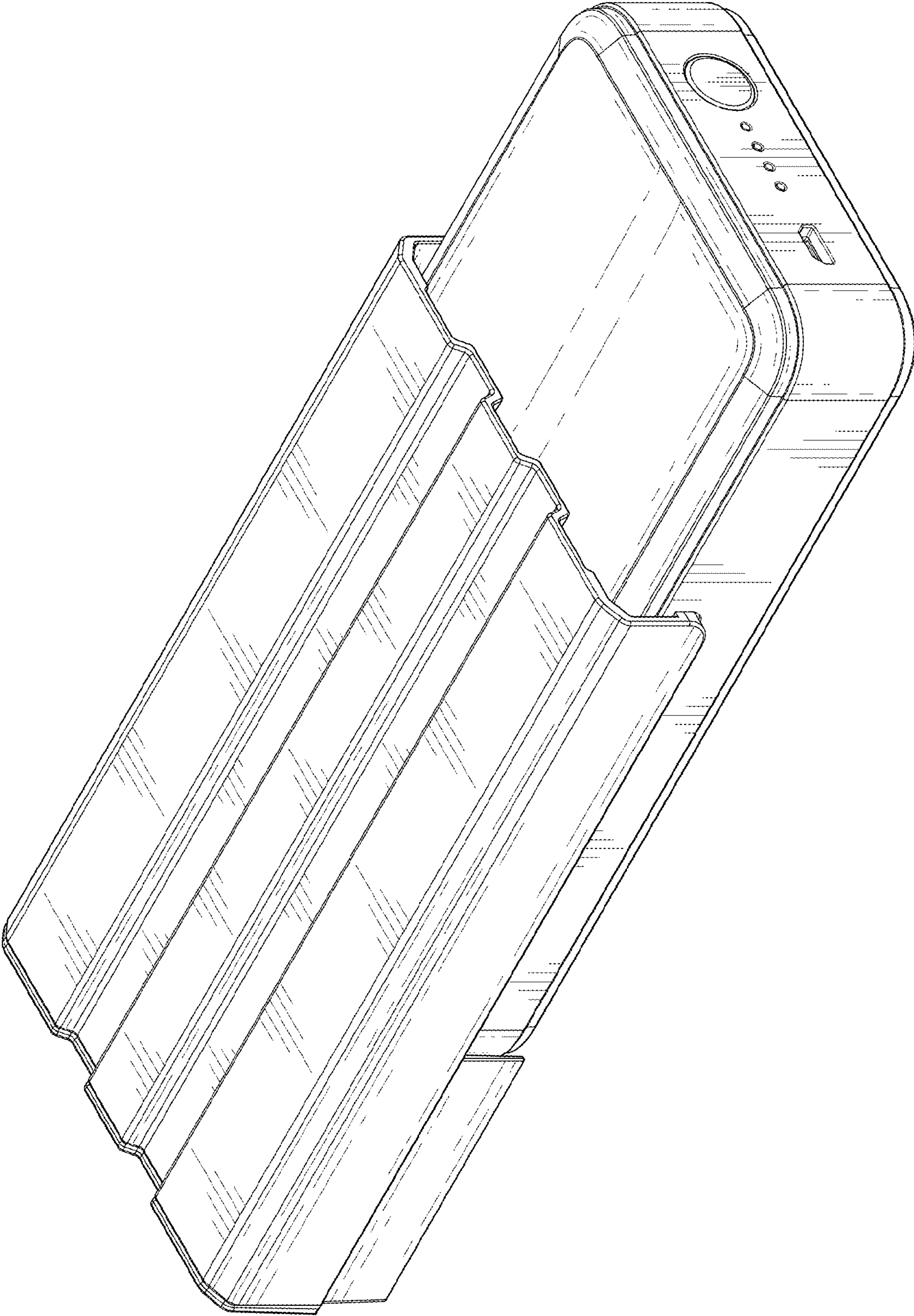


FIG.1

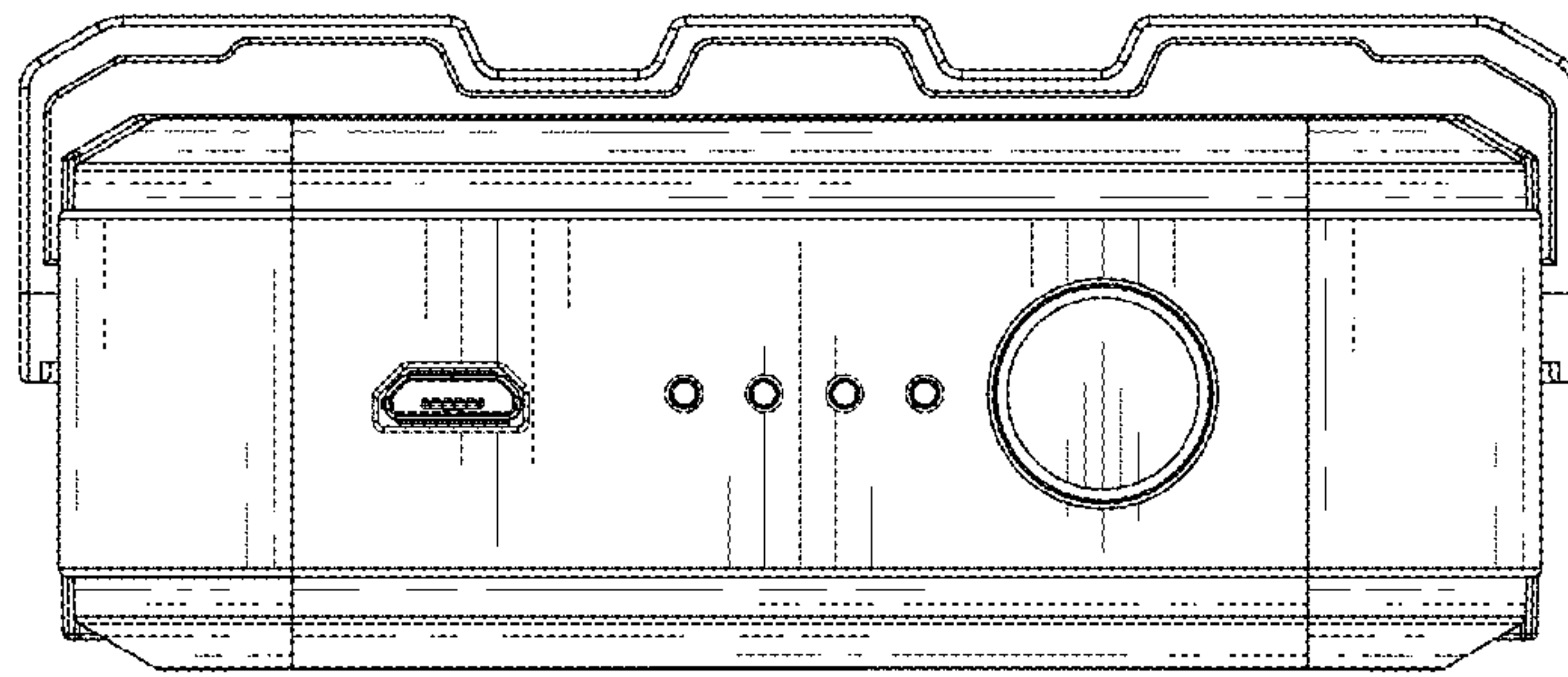


FIG.2

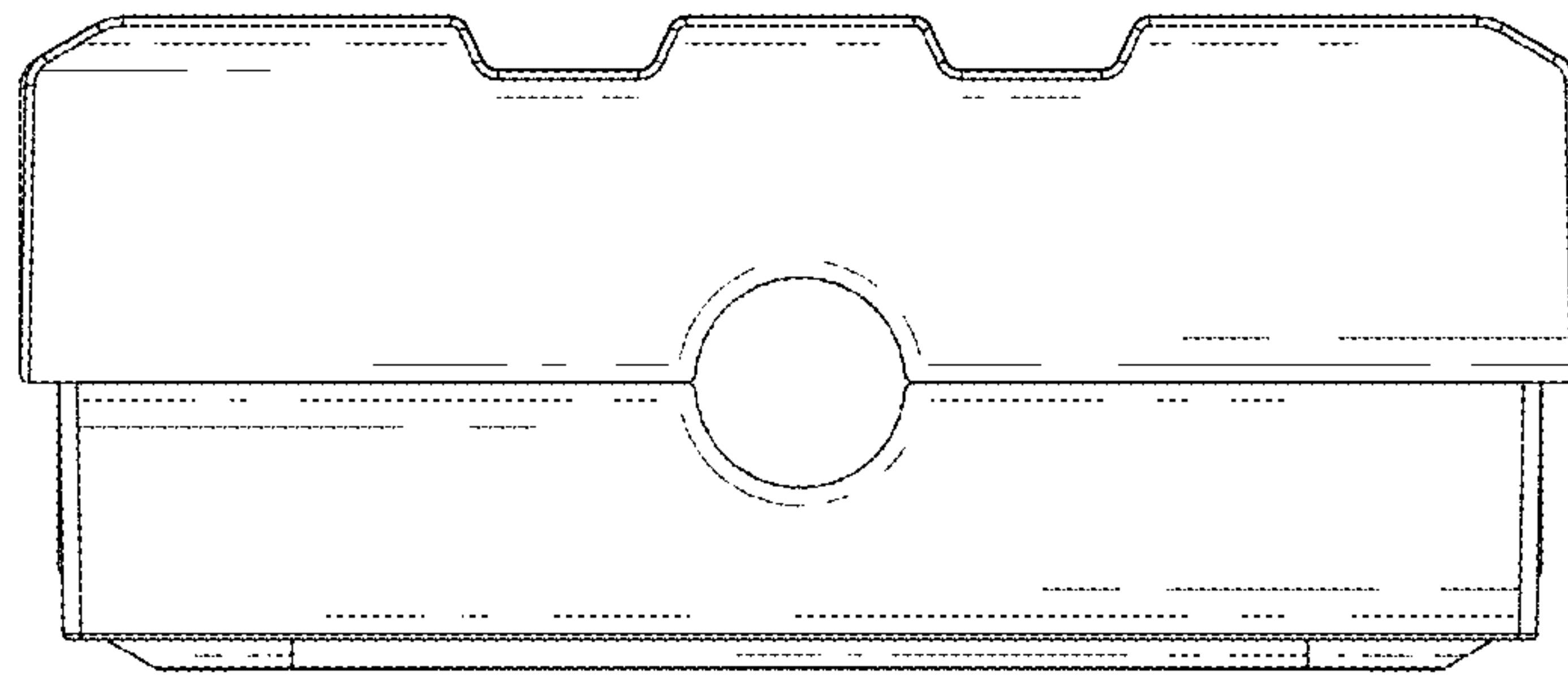


FIG.3

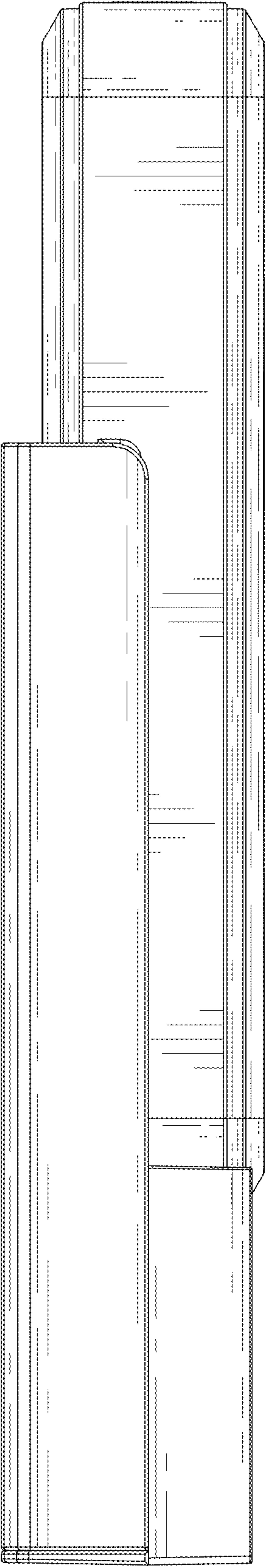


FIG.4

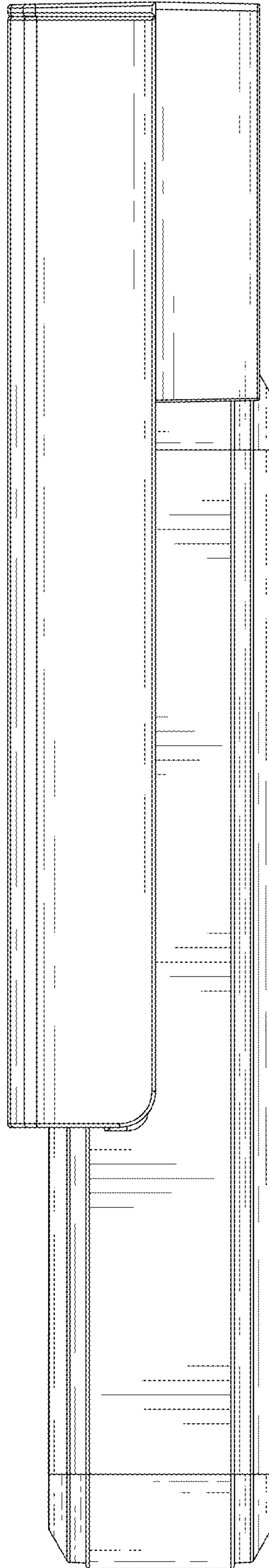


FIG.5

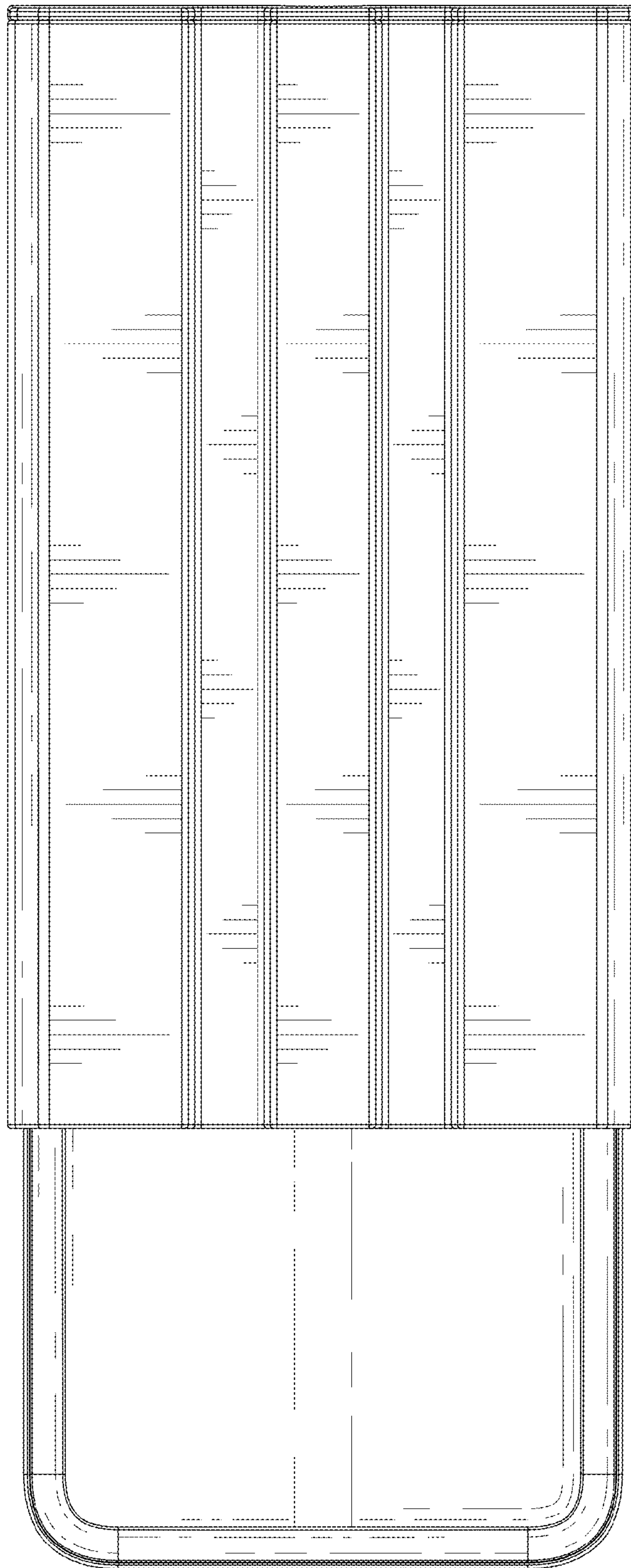


FIG.6

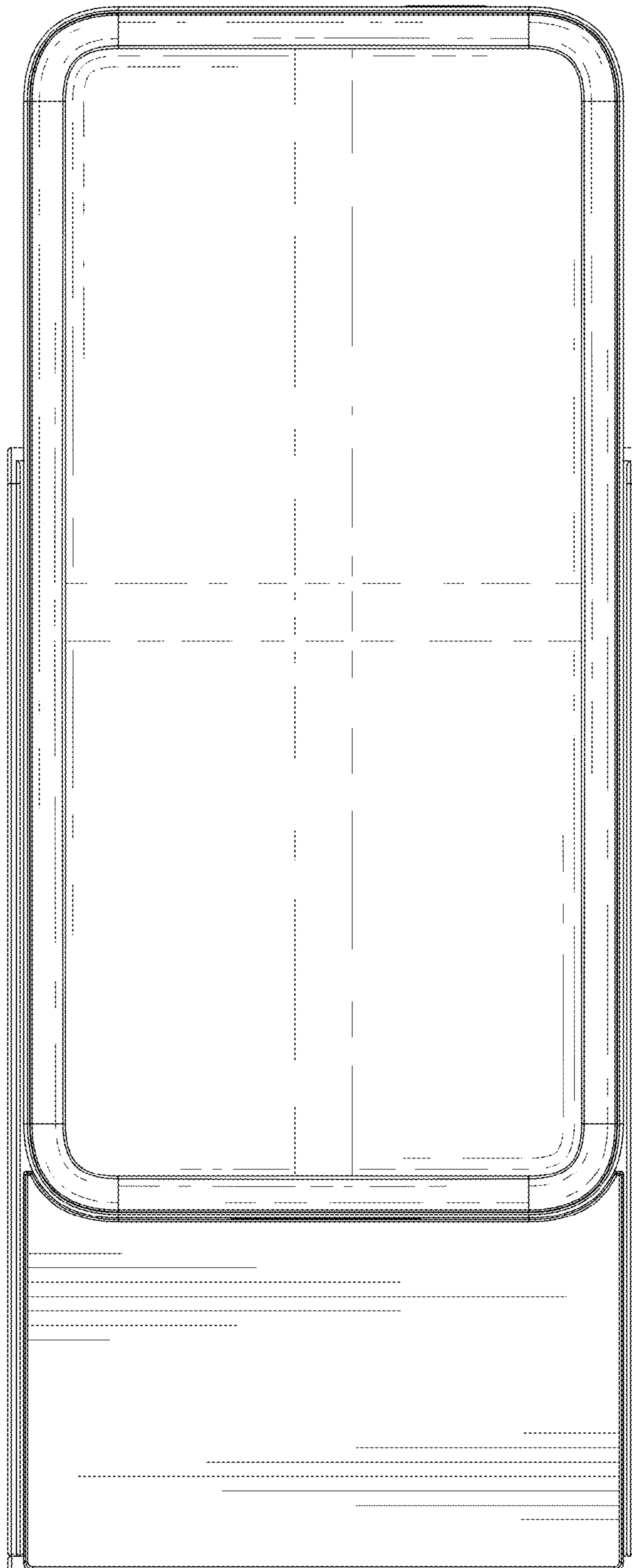


FIG.7

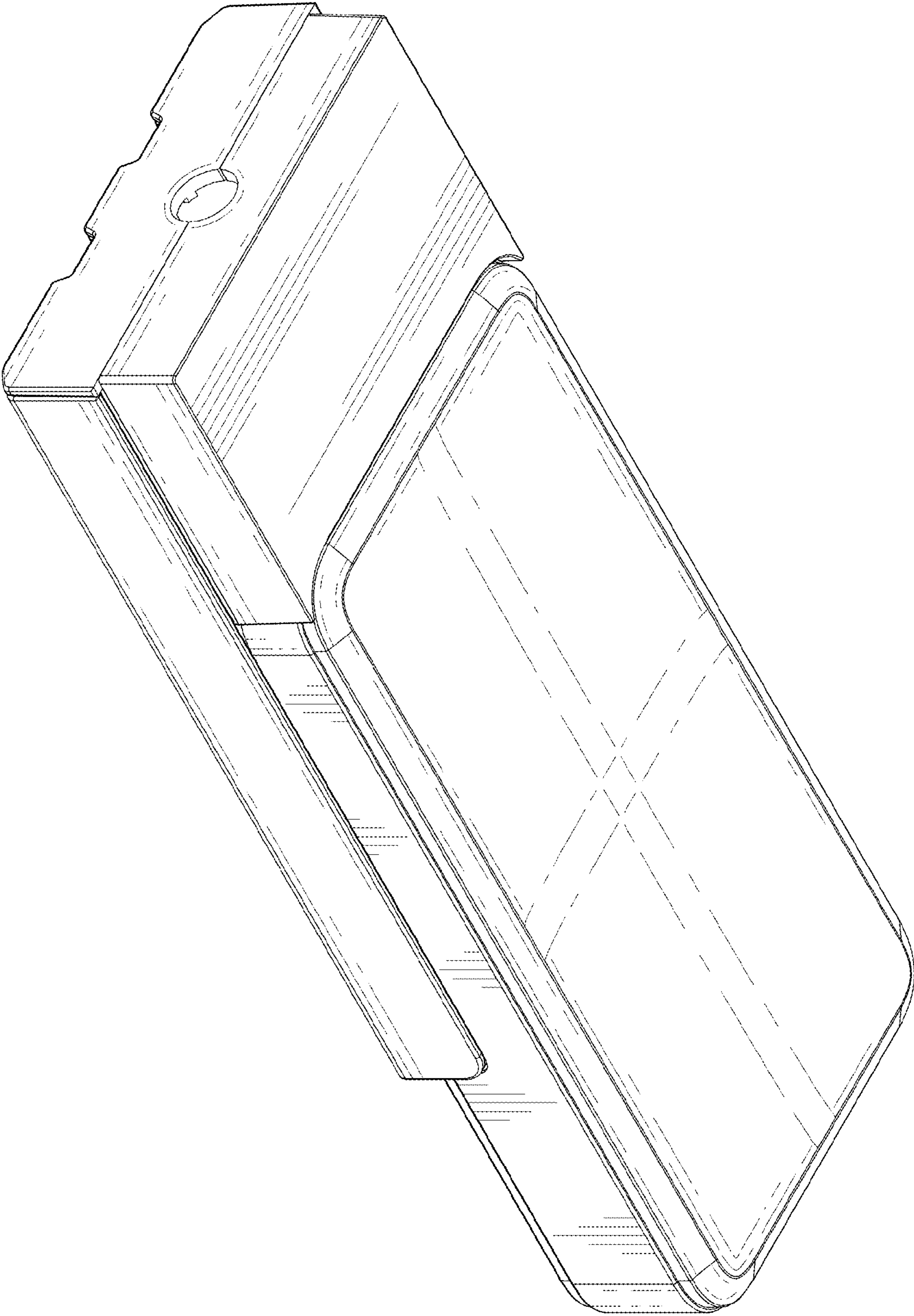


FIG.8