



US00D871329S

(12) **United States Design Patent**  
**Chen**

(10) **Patent No.:** **US D871,329 S**

(45) **Date of Patent:** **\*\* Dec. 31, 2019**

(54) **BATTERY BOX**

(71) Applicant: **TIMOTION TECHNOLOGY CO., LTD.**, New Taipei (TW)

(72) Inventor: **Yi-Chun Chen**, New Taipei (TW)

(73) Assignee: **TIMOTION TECHNOLOGY CO., LTD.**, New Taipei (TW)

(\*\*) Term: **15 Years**

(21) Appl. No.: **29/662,106**

(22) Filed: **Sep. 1, 2018**

(51) **LOC (12) Cl.** ..... **13-02**

(52) **U.S. Cl.**  
USPC ..... **D13/108; D13/103**

(58) **Field of Classification Search**  
USPC ..... D13/103, 107-108, 110, 118-119, 184,  
D13/199; D14/251, 253, 432, 434  
CPC ..... H02J 7/00; H02J 7/0003; H02J 7/0011;  
H02J 7/0013; H02J 7/025; H02J 7/0054;  
H02J 7/0055; H02J 7/0057; H02J 5/00;  
H02J 5/005; H02J 50/00; H02J 50/10;  
H02J 50/12; H02J 50/50; H02J 50/80;  
H01M 10/46; H01M 10/465; H01M  
2200/30; H01M 2250/30  
See application file for complete search history.

(56) **References Cited**

**U.S. PATENT DOCUMENTS**

D650,737 S \* 12/2011 Hamilton ..... D13/103  
D654,429 S \* 2/2012 Li ..... D13/103  
D678,187 S \* 3/2013 Huang ..... D13/103

D682,777 S \* 5/2013 Gupta ..... D13/103  
D709,823 S \* 7/2014 Corley ..... D13/103  
D713,786 S \* 9/2014 Wen ..... D13/103  
D733,043 S \* 6/2015 Hasbrook ..... D13/103  
D760,647 S \* 7/2016 Chen ..... D13/103  
D762,169 S \* 7/2016 Lei ..... D13/108  
D762,170 S \* 7/2016 Lei ..... D13/108  
D767,486 S \* 9/2016 Yu ..... D13/103  
D769,188 S \* 10/2016 Miller ..... D13/107  
D787,443 S \* 5/2017 Chiang ..... D13/110  
D826,854 S \* 8/2018 Roberts ..... D13/108  
D843,316 S \* 3/2019 Zhou ..... D13/108  
D853,322 S \* 7/2019 Xu ..... D13/108  
D853,958 S \* 7/2019 Lei ..... D13/108  
D862,384 S \* 10/2019 Jen ..... D13/108

\* cited by examiner

*Primary Examiner* — Rosemary K Tarcza

(74) *Attorney, Agent, or Firm* — Chun-Ming Shih; HDLS IPR Services

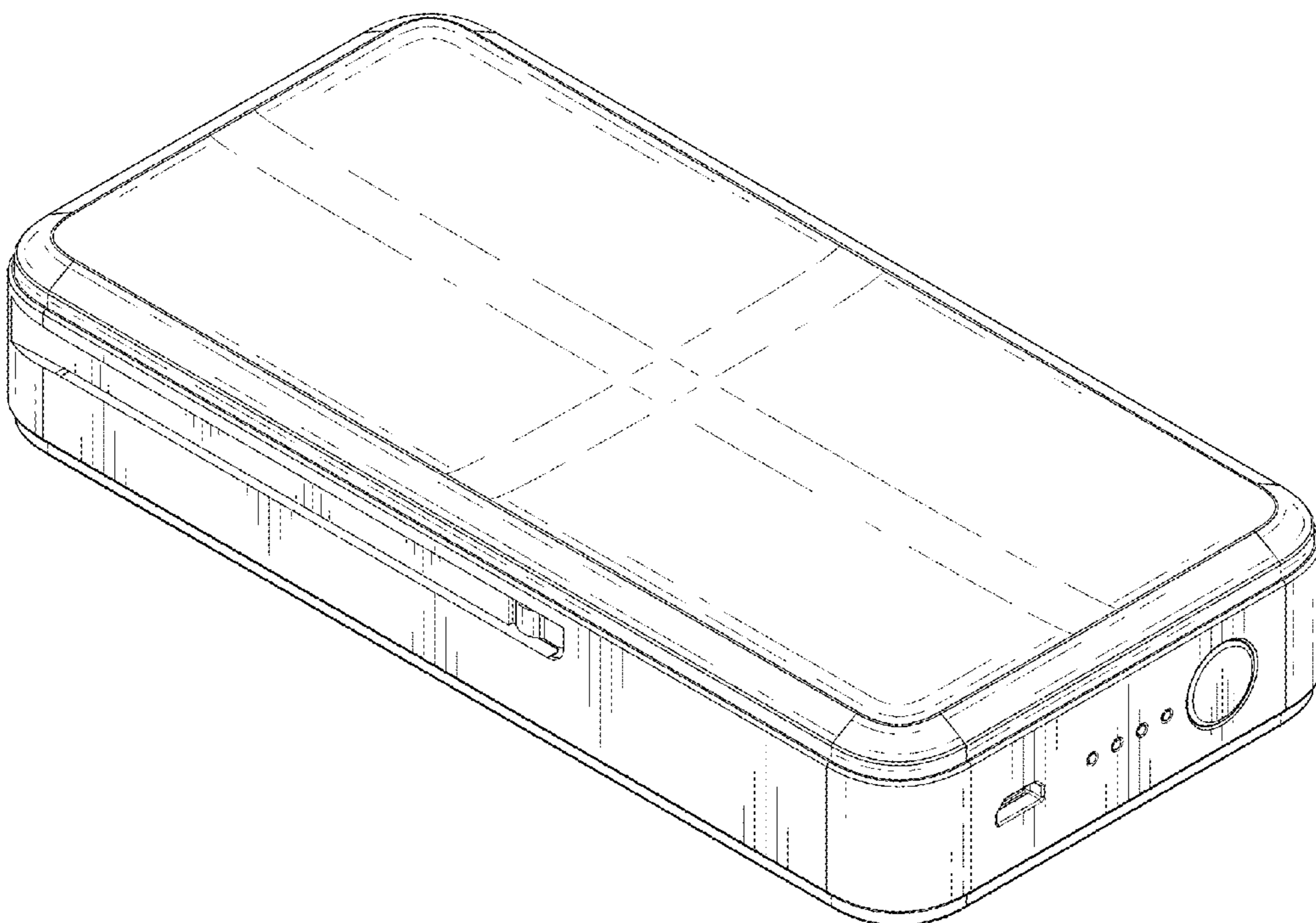
(57) **CLAIM**

The ornamental design for a battery box, as shown and described.

**DESCRIPTION**

FIG. 1 is a perspective view of a battery box showing my new design;  
FIG. 2 is a front view thereof;  
FIG. 3 is a rear view thereof;  
FIG. 4 is a left side view thereof;  
FIG. 5 is a right side view thereof;  
FIG. 6 is a top view thereof;  
FIG. 7 is a bottom view thereof; and,  
FIG. 8 is a second perspective view showing the battery box.

**1 Claim, 8 Drawing Sheets**



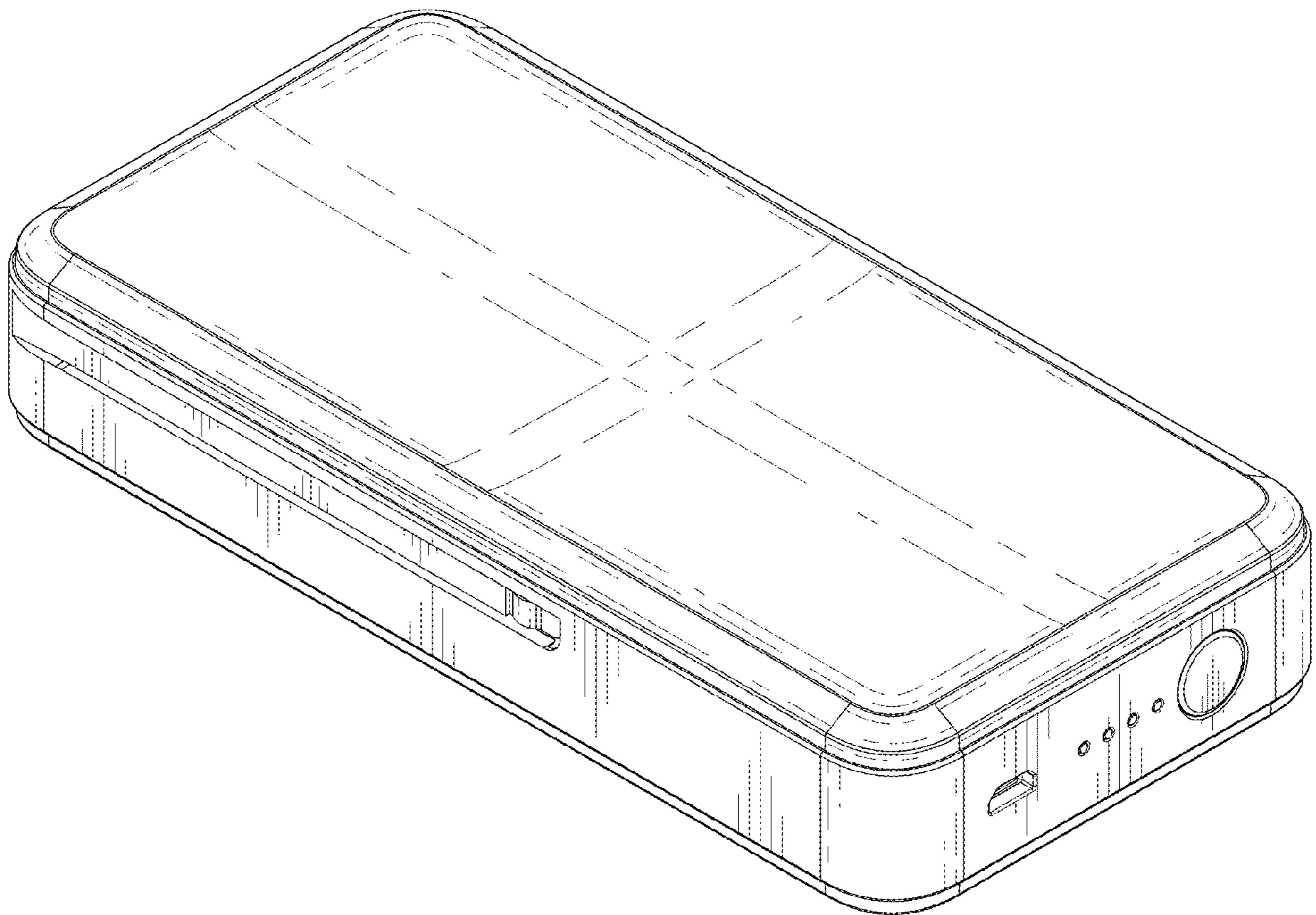


FIG.1

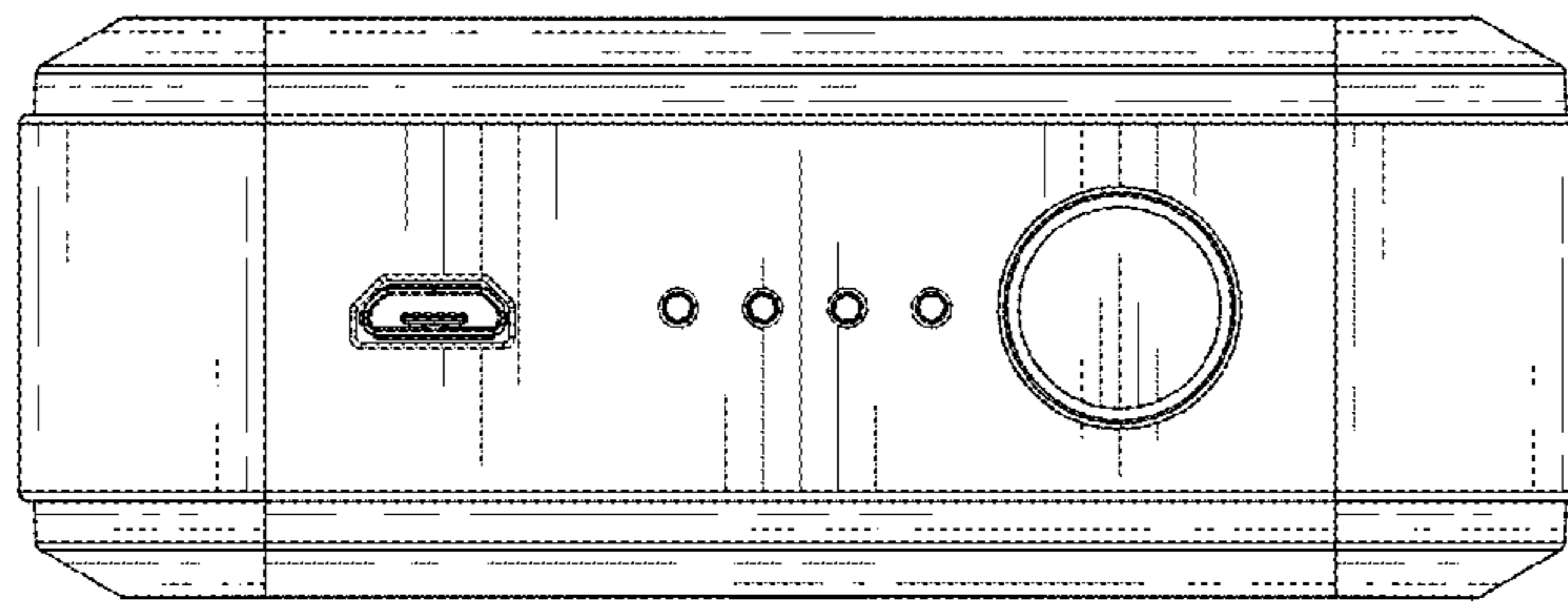


FIG.2

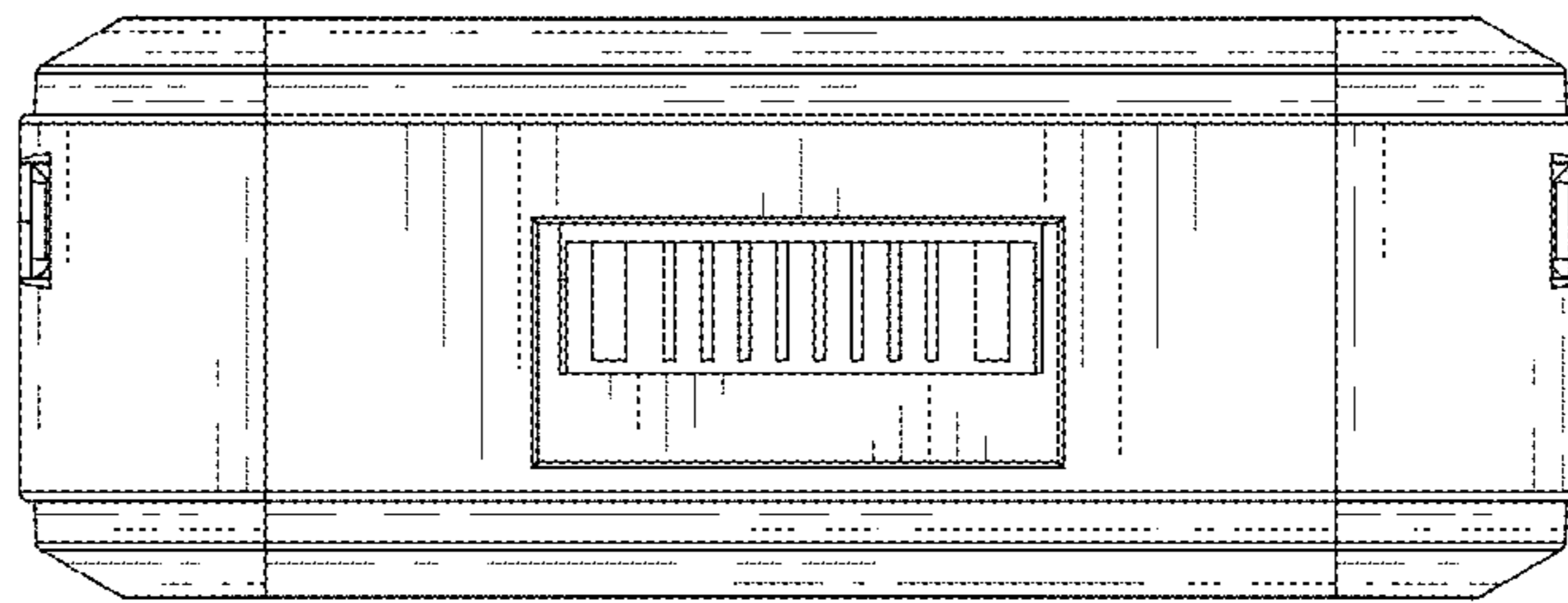


FIG.3

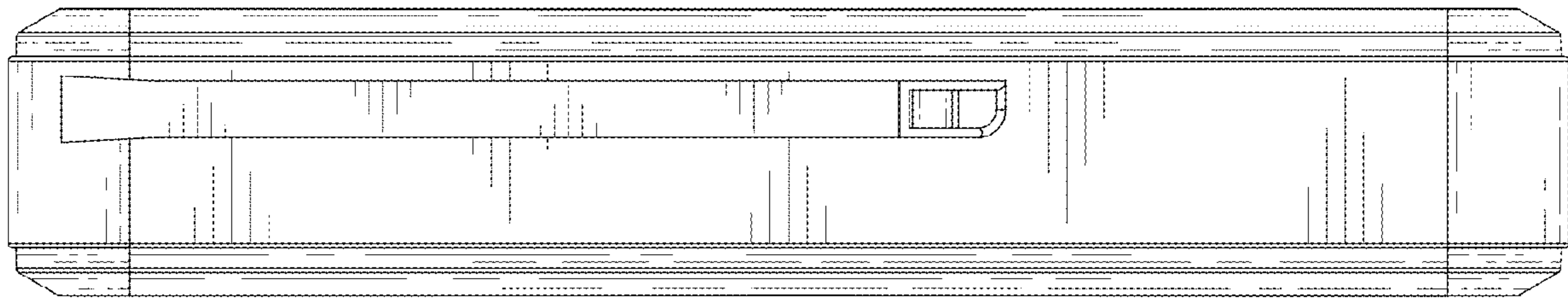


FIG.4

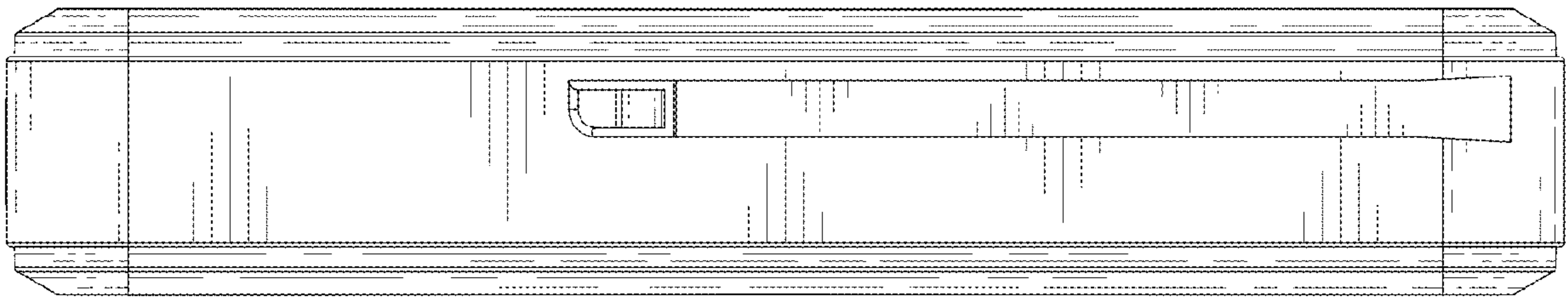


FIG.5

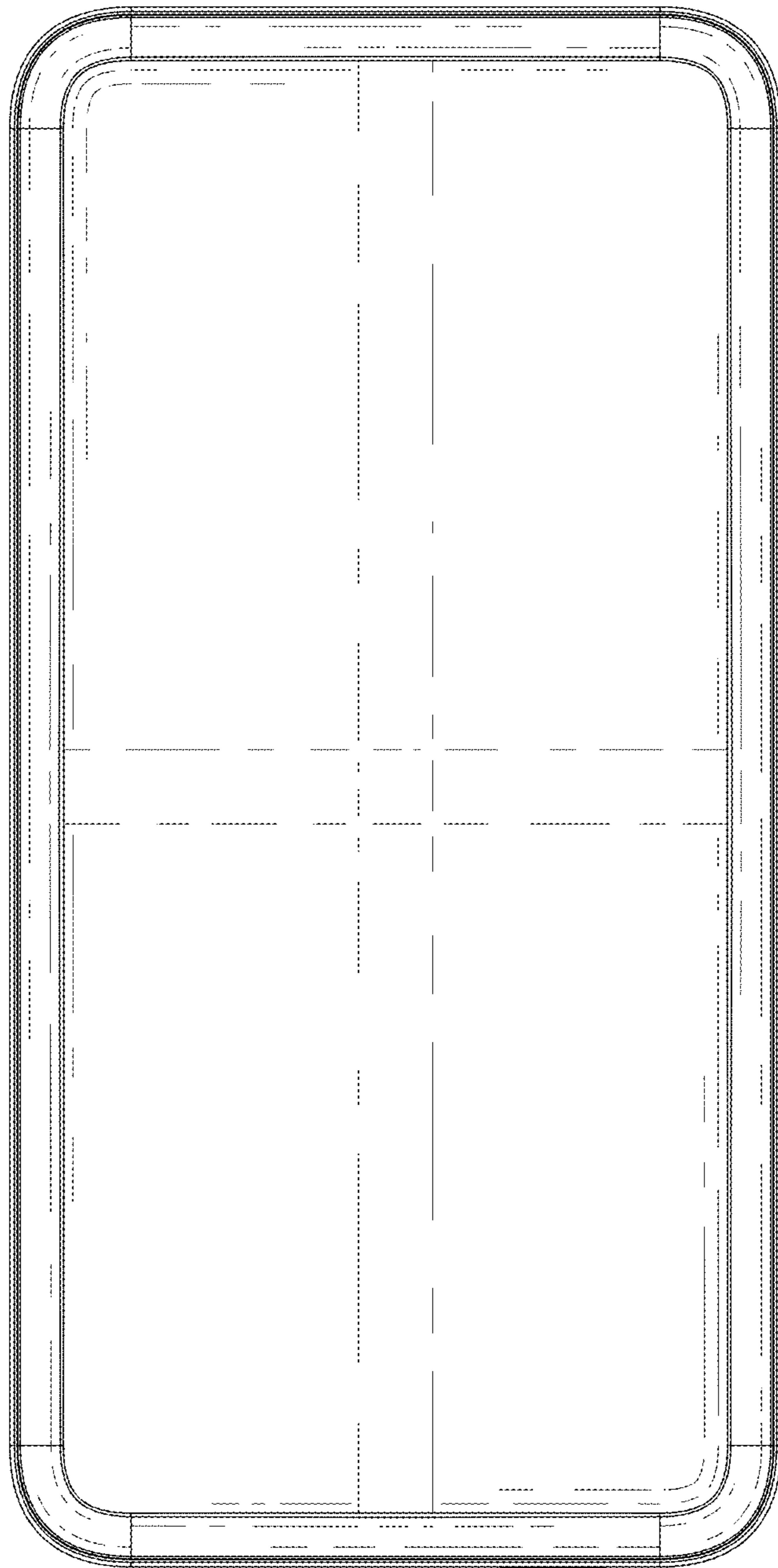


FIG.6

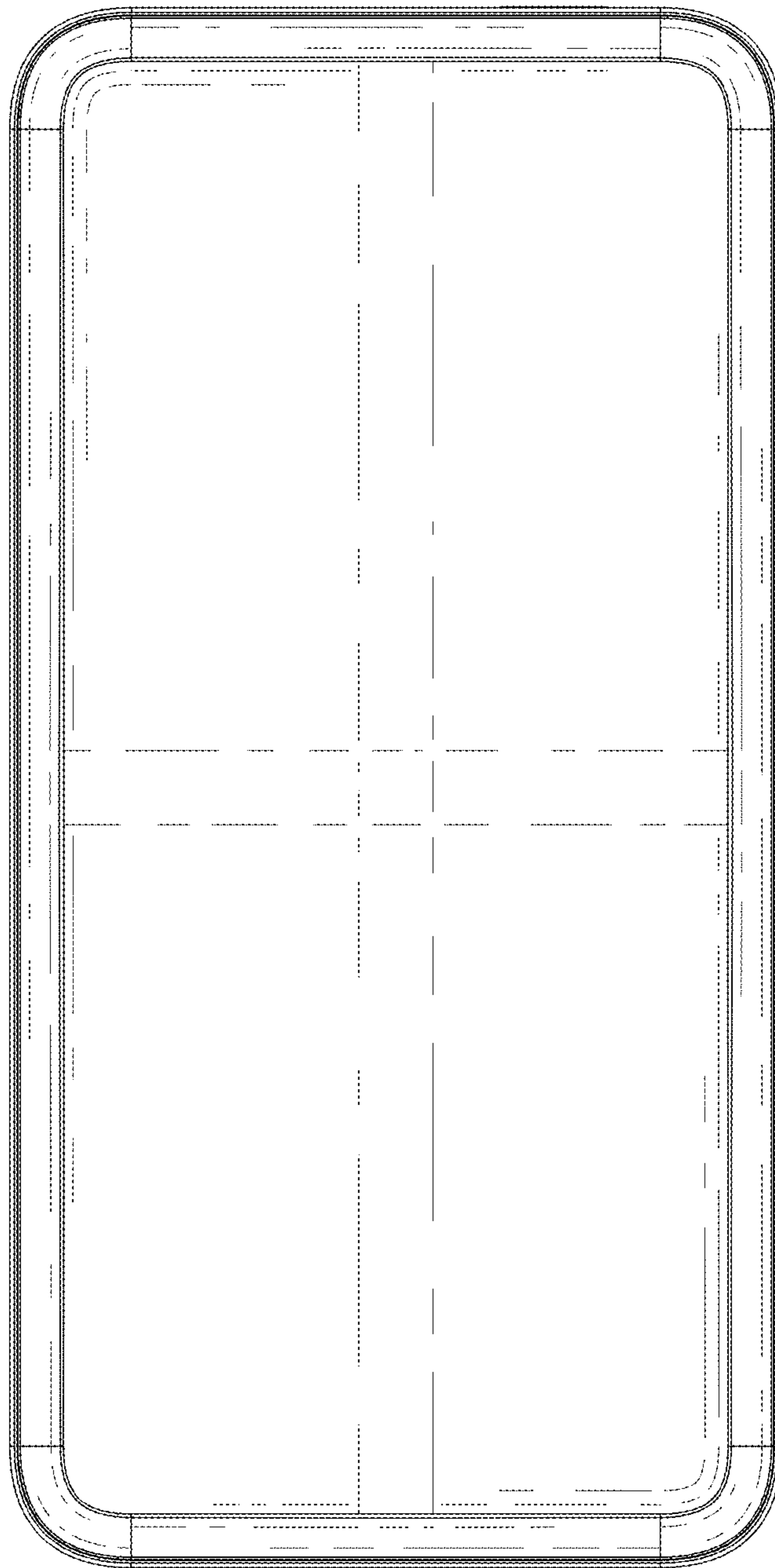


FIG.7



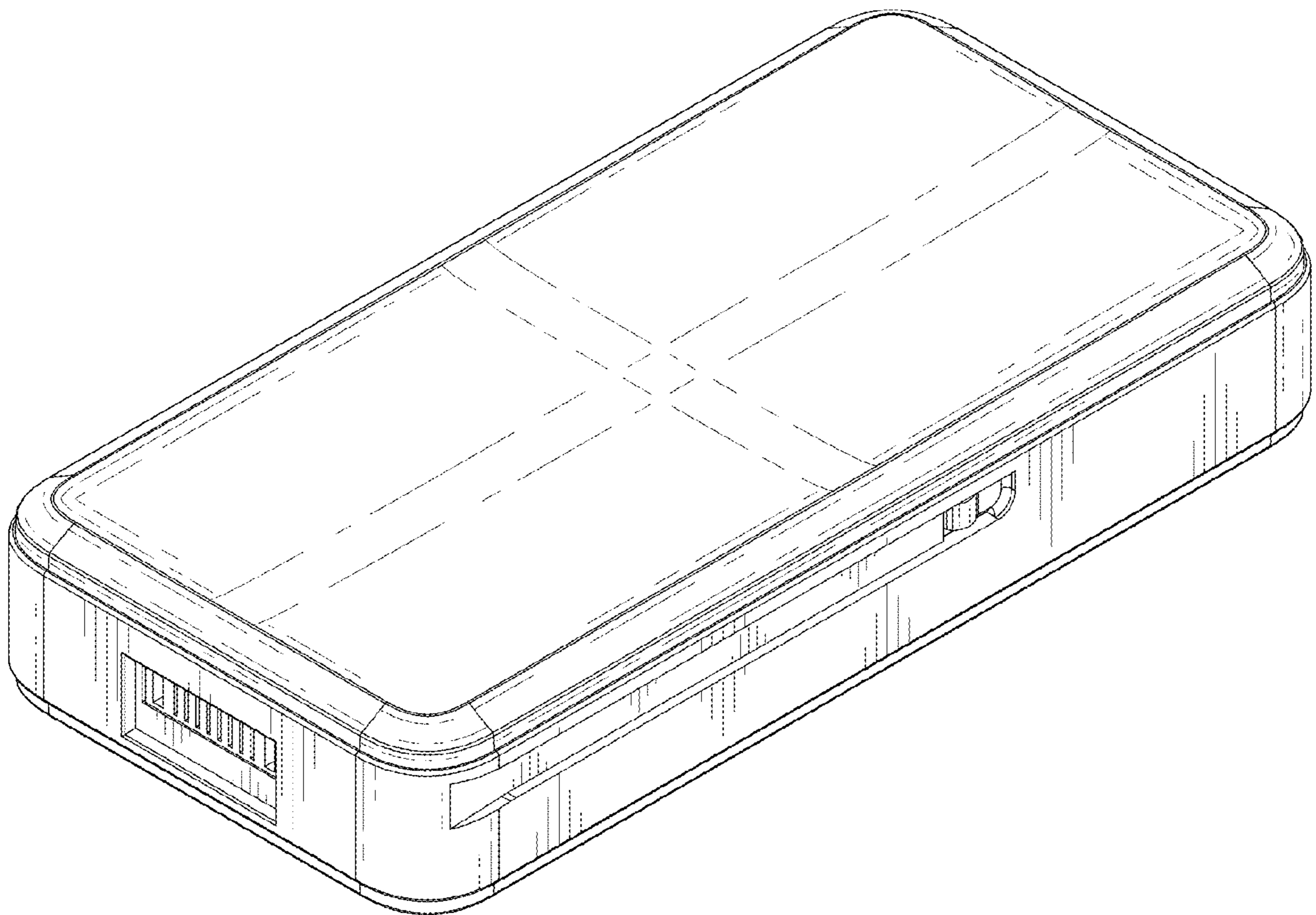


FIG.8