

US00D871328S

(12) **United States Design Patent**  
**Yang**

(10) **Patent No.:** **US D871,328 S**

(45) **Date of Patent:** **\*\* Dec. 31, 2019**

(54) **MULTI-PORT CHARGER**

(71) Applicant: **Rixian Yang**, Zhejiang (CN)

(72) Inventor: **Rixian Yang**, Zhejiang (CN)

(\*\*) Term: **15 Years**

(21) Appl. No.: **29/659,741**

(22) Filed: **Aug. 10, 2018**

(51) **LOC (12) Cl.** ..... **13-02**

(52) **U.S. Cl.**  
USPC ..... **D13/108**

(58) **Field of Classification Search**  
USPC ..... D13/107–110, 118–119, 184; D14/251,  
D14/253, 432, 434  
CPC ..... Y02E 60/12; Y02T 90/14; Y02T 90/122;  
Y02T 90/128; Y02T 90/163; Y02T  
10/7005; Y02T 10/7088; H02J 7/025;  
H02J 7/0042; H02J 7/0044; H02J 7/0045;  
H02J 7/0003; H01F 38/14; H01M 2/1022;  
H01M 2/1055; H01M 10/44; H01M  
10/46; H01M 10/425; B60L 11/182  
See application file for complete search history.

(56) **References Cited**

**U.S. PATENT DOCUMENTS**

D530,717 S	*	10/2006	Mori	.....	D14/434
D598,375 S	*	8/2009	Nomi	.....	D13/108
D704,135 S	*	5/2014	Stewart	.....	D13/108
D738,822 S	*	9/2015	Stewart	.....	D13/108

D740,749 S	*	10/2015	Stewart	.....	D13/108
D760,647 S	*	7/2016	Chen	.....	D13/103
D773,991 S	*	12/2016	Liu	.....	D13/107
D780,116 S	*	2/2017	Bing	.....	D13/107
D784,258 S	*	4/2017	Vienna	.....	D13/108
D812,560 S	*	3/2018	Xu	.....	D13/107
D832,264 S	*	10/2018	Kim	.....	D14/434
D843,316 S	*	3/2019	Zhou	.....	D13/108
D843,937 S	*	3/2019	Xiao	.....	D13/108
D844,006 S	*	3/2019	Molnar	.....	D14/434
D845,235 S	*	4/2019	Yang	.....	D13/108

\* cited by examiner

*Primary Examiner* — Rosemary K Tarcza

(74) *Attorney, Agent, or Firm* — Justin Lampel

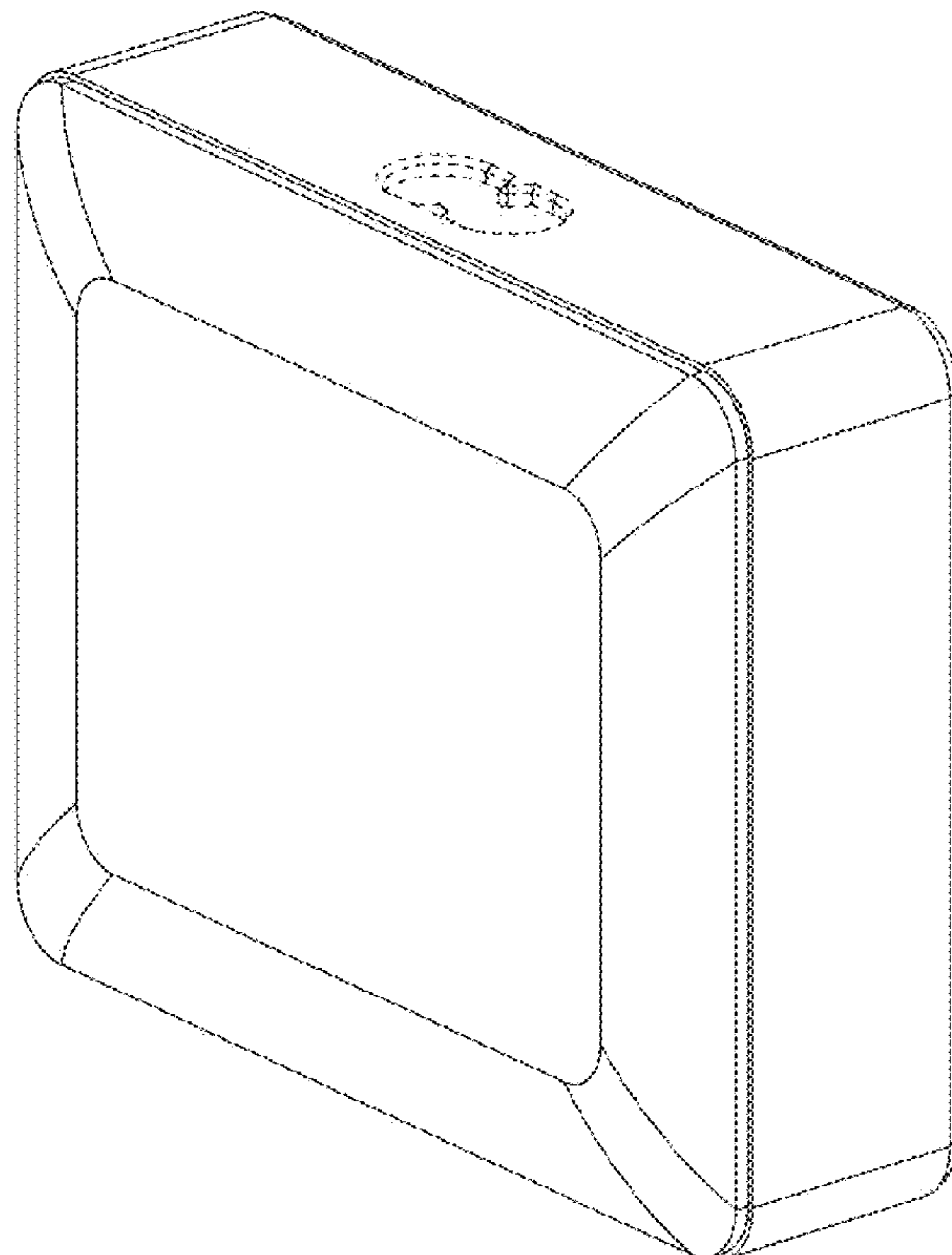
(57) **CLAIM**

The ornamental design for a multi-port charger, as shown and described.

**DESCRIPTION**

FIG. 1 is a front, top perspective view of a multi-port charger, showing my new design;  
FIG. 2 is a front, bottom perspective view thereof;  
FIG. 3 is a front elevational view thereof;  
FIG. 4 is a rear elevational view thereof;  
FIG. 5 is a right side view thereof;  
FIG. 6 is a left side view thereof;  
FIG. 7 is a bottom plan view thereof; and,  
FIG. 8 is a top plan view thereof.  
The broken lines shown in the drawings are included for the purpose of illustrating portions of the multi-port charger that form no part of the claimed design.

**1 Claim, 7 Drawing Sheets**



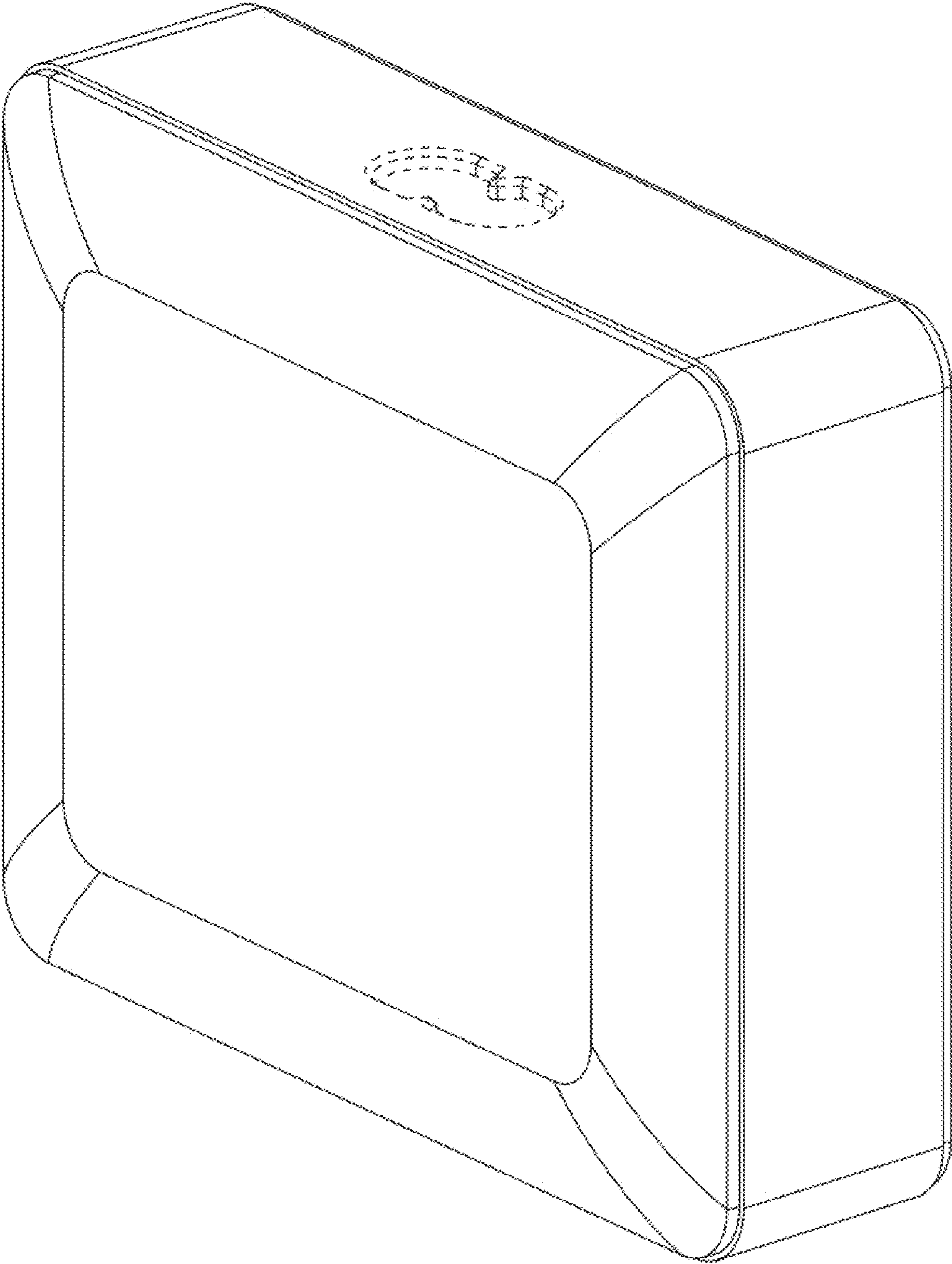


FIG. 1

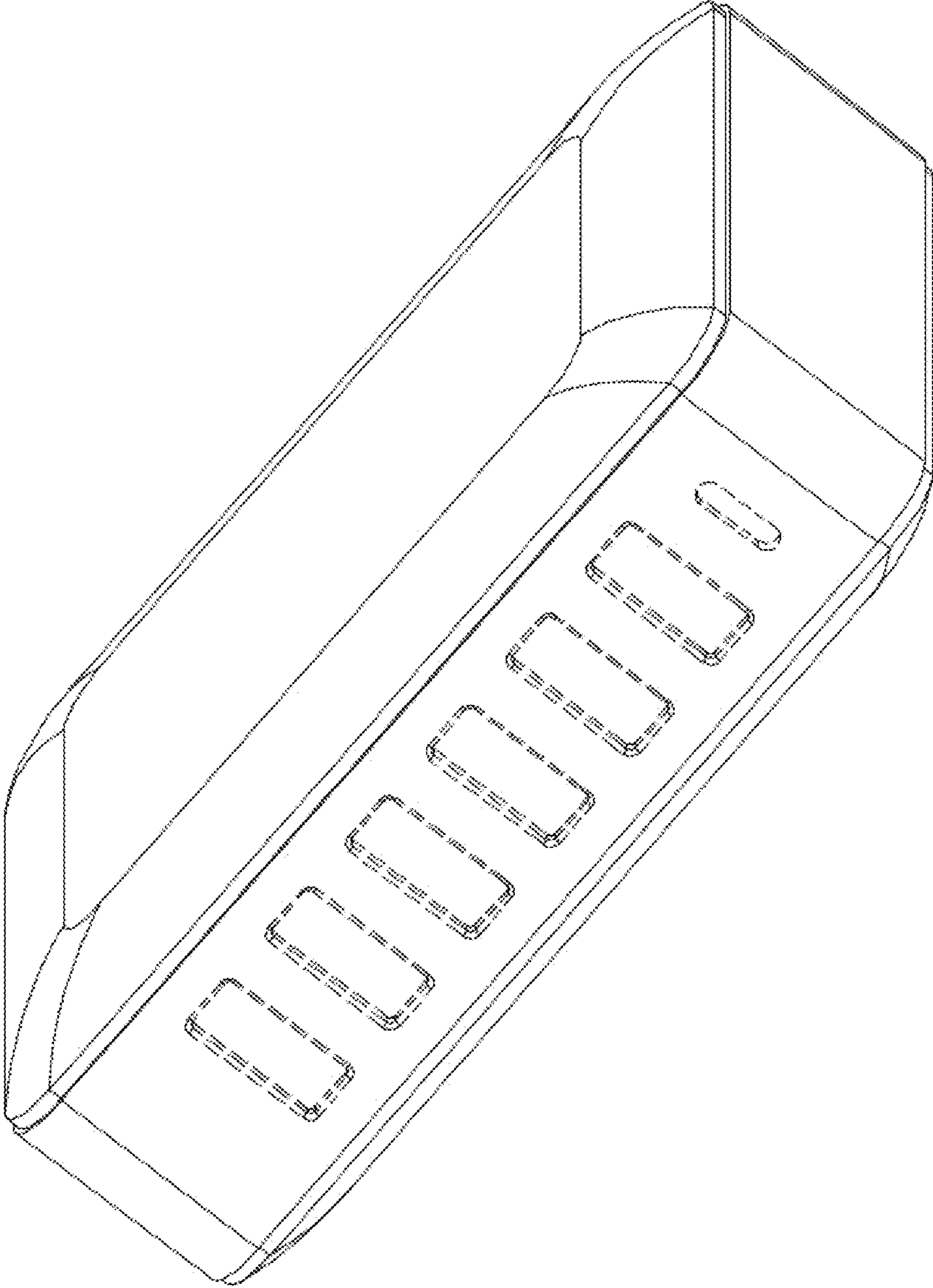


FIG. 2

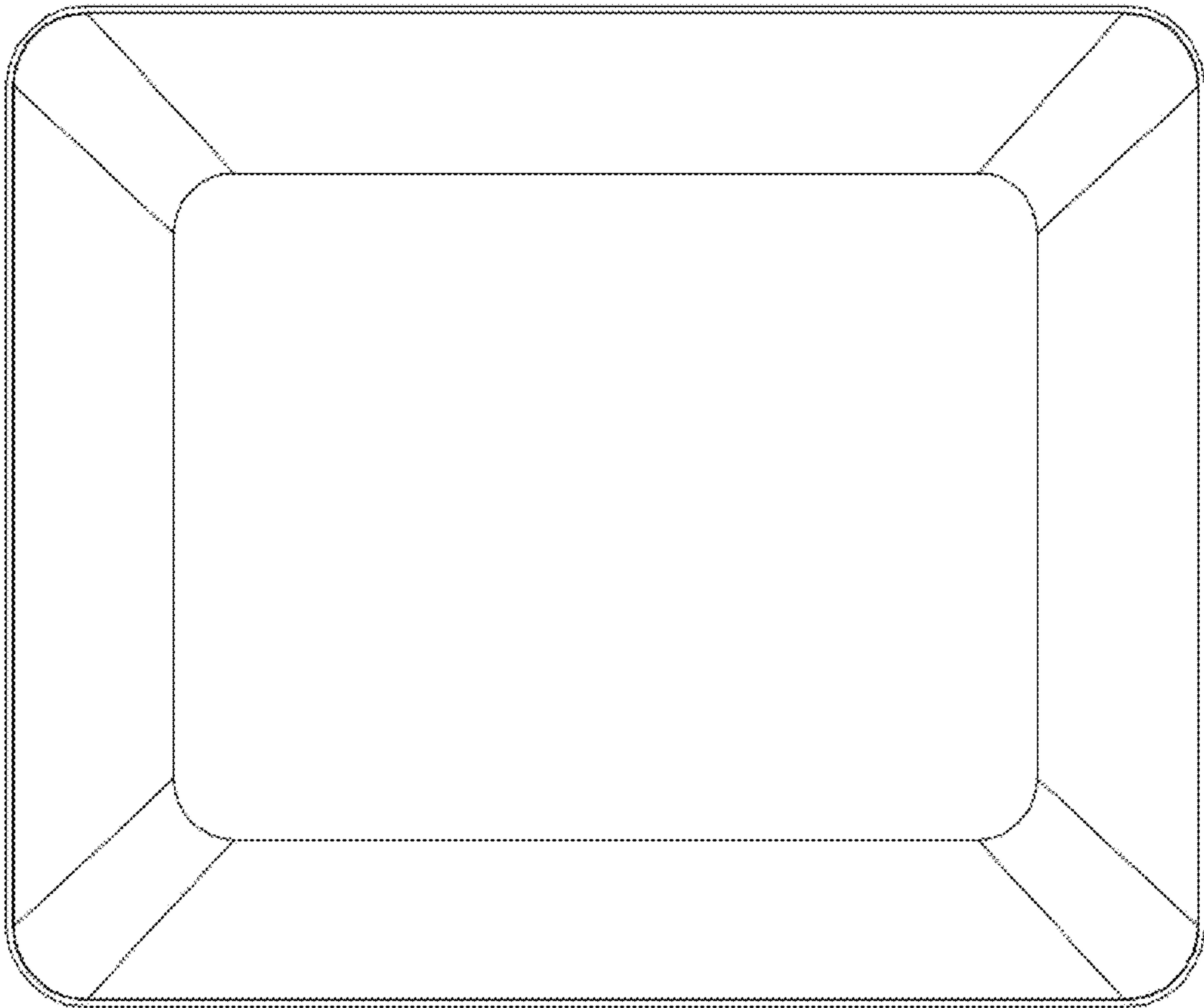


FIG. 3

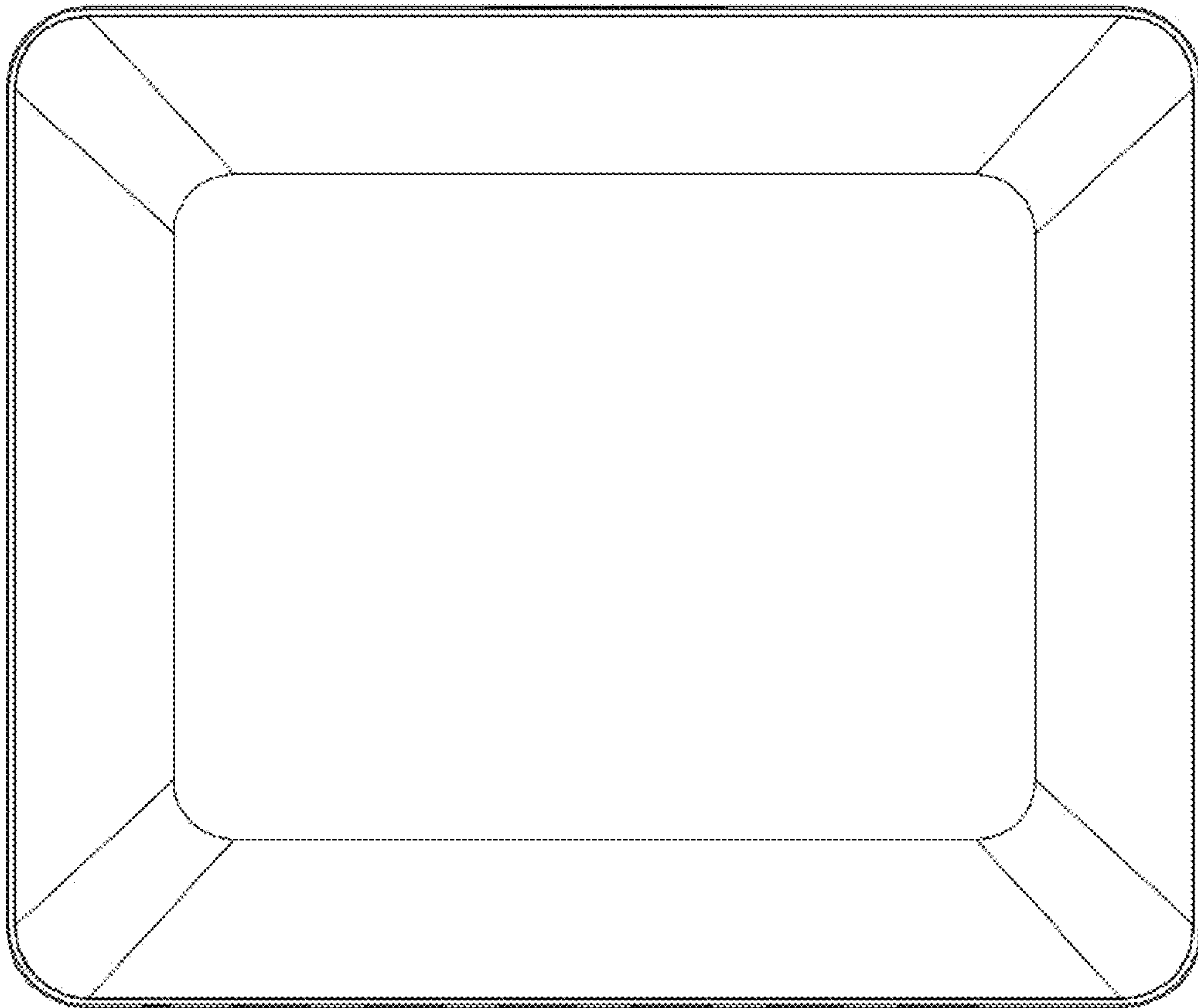


FIG. 4



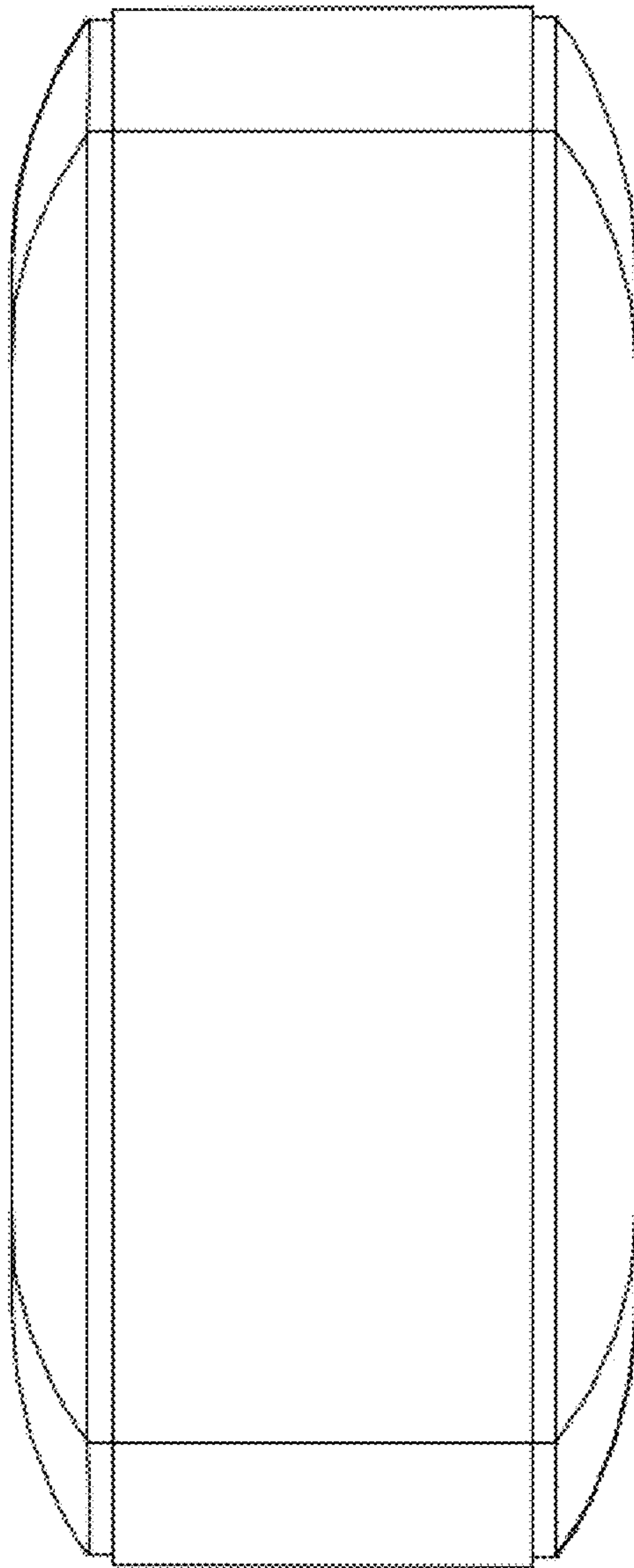


FIG. 5

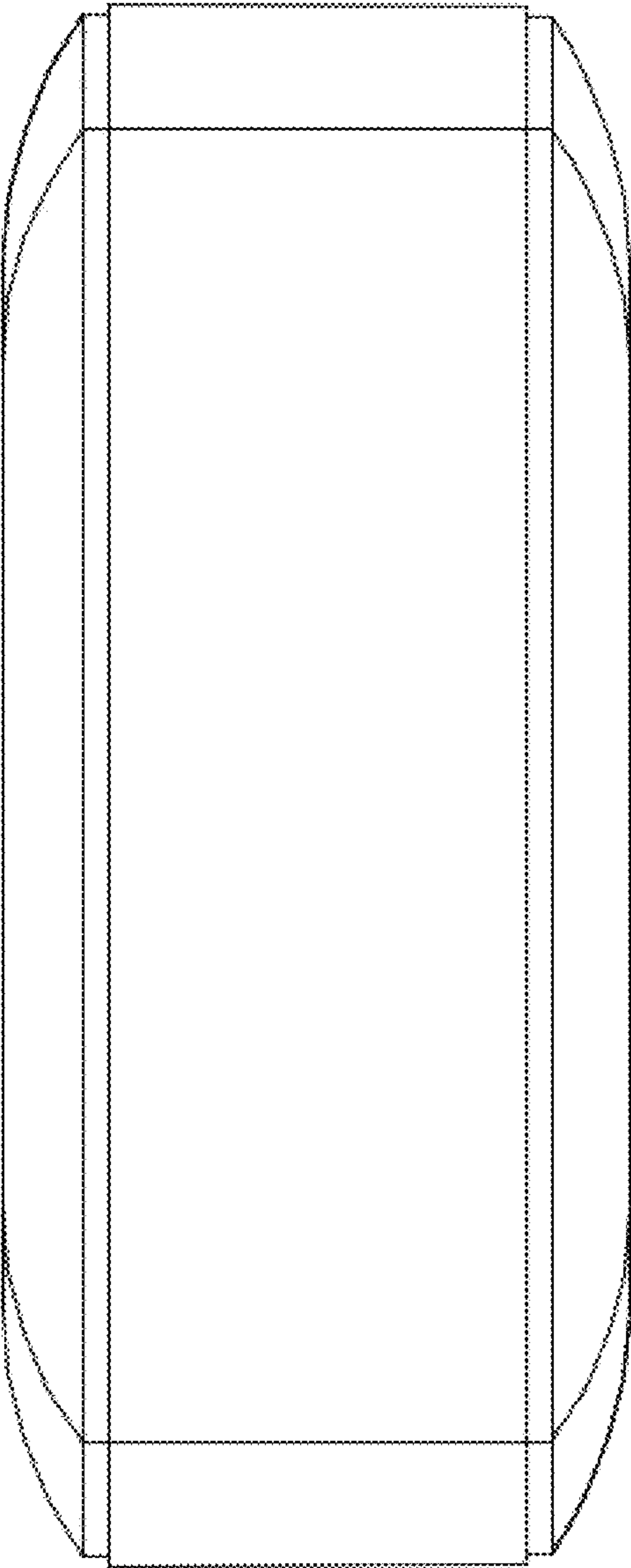
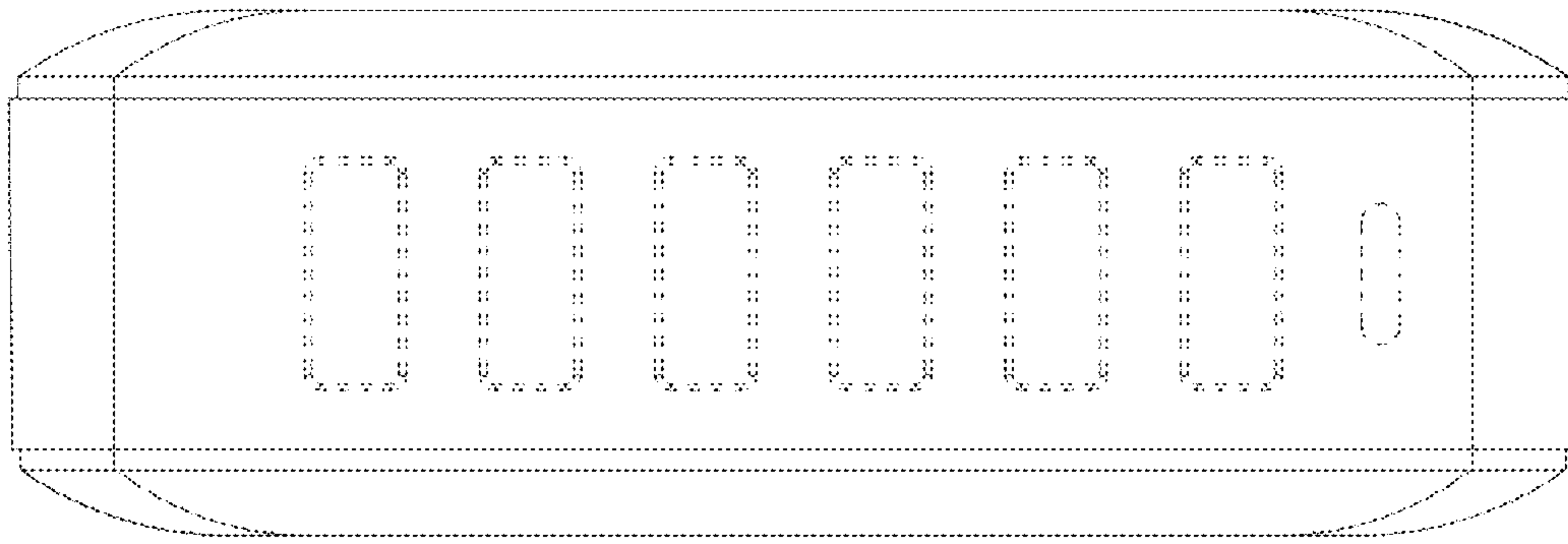
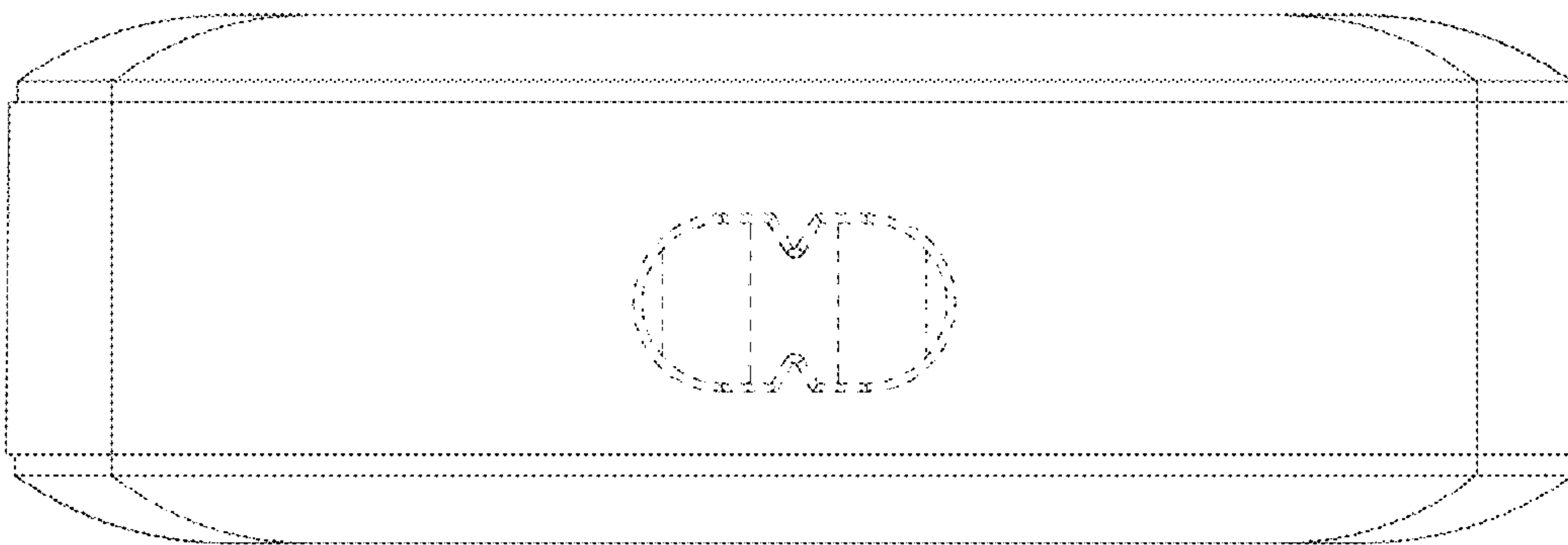


FIG. 6



**FIG. 7**



**FIG. 8**