



US00D871326S

(12) **United States Design Patent**
Chuang et al.

(10) **Patent No.:** **US D871,326 S**

(45) **Date of Patent:** **** Dec. 31, 2019**

- (54) **CHARGING DOCK**
- (71) Applicant: **Quanta Computer Inc.**, Taoyuan (TW)
- (72) Inventors: **Pu-Ching Chuang**, Taoyuan (TW);
Yi-Chun Ma, Taoyuan (TW);
Gwo-Chyuan Chen, Taoyuan (TW);
Chang-Ta Miao, Taoyuan (TW)
- (73) Assignee: **QUANTA COMPUTER INC.**,
Guishan Dist., Taoyuan (TW)
- (**) Term: **15 Years**
- (21) Appl. No.: **29/645,562**
- (22) Filed: **Apr. 27, 2018**
- (30) **Foreign Application Priority Data**

- Jan. 31, 2018 (TW) 107300628
- (51) **LOC (12) Cl.** **13-02**
- (52) **U.S. Cl.**
USPC **D13/108**
- (58) **Field of Classification Search**
USPC D13/107-110, 118-119, 184; D14/251,
D14/253, 432, 434
CPC Y02E 60/12; Y02T 90/14; Y02T 90/122;
Y02T 90/128; Y02T 90/163; H02J 7/025;
H02J 7/0042; H02J 7/0044; H02J 7/0045;
H02J 7/0003; H01F 38/14; H01R
13/6675; H01M 2/1022; H01M 2/1055;
H01M 10/44; H01M 10/46; H01M
10/425; B60L 11/182
See application file for complete search history.

(56) **References Cited**
U.S. PATENT DOCUMENTS

- D313,221 S * 12/1990 Skully D13/108
- D429,242 S * 8/2000 Sun D14/253

- D635,979 S * 4/2011 Wu D13/107
- D638,019 S * 5/2011 Weisshaupt D14/434
- D646,268 S * 10/2011 DeLorenzo D14/253
- D664,528 S * 7/2012 Chen D14/253
- D664,958 S * 8/2012 McManigal D14/434
- D666,995 S * 9/2012 TerMeer D14/217
- D693,815 S * 11/2013 Son D14/434
- D700,888 S * 3/2014 Serfoss D13/108
- D703,659 S * 4/2014 Werth D14/253
- D754,118 S * 4/2016 Leung D14/253
- D760,214 S * 6/2016 Kemper D14/253
- D779,478 S * 2/2017 Justiss D14/253
- D781,841 S * 3/2017 Salathe D14/253
- D785,564 S * 5/2017 Lee D13/108
- D787,441 S * 5/2017 Lee D13/108
- D815,594 S * 4/2018 Chen D13/108
- D816,027 S * 4/2018 Chen D13/108
- D840,930 S * 2/2019 Lu D13/108
- D859,308 S * 9/2019 Connell D13/108

* cited by examiner

Primary Examiner — Rosemary K Tarcza
 (74) *Attorney, Agent, or Firm* — McClure, Qualey &
 Rodack, LLP

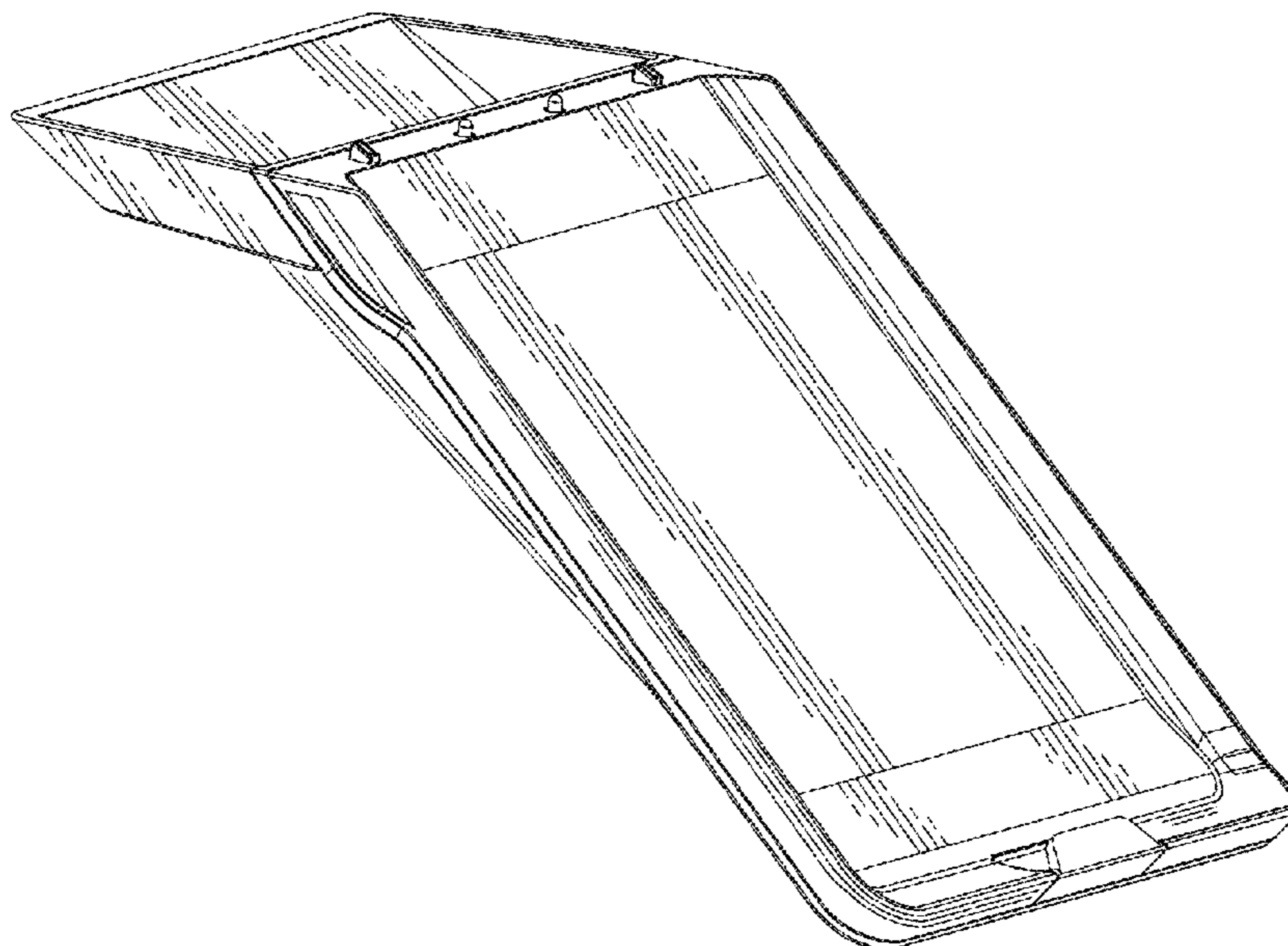
(57) **CLAIM**

The ornamental design for a charging dock, as shown and described.

DESCRIPTION

FIG. 1 is a front perspective view of a charging dock, showing our new design;
 FIG. 2 is a front view thereof;
 FIG. 3 is a rear view thereof;
 FIG. 4 is a left side view thereof;
 FIG. 5 is a right side view thereof;
 FIG. 6 is a top plan view thereof;
 FIG. 7 is a bottom plan view thereof; and,
 FIG. 8 is a rear perspective view thereof.

1 Claim, 8 Drawing Sheets



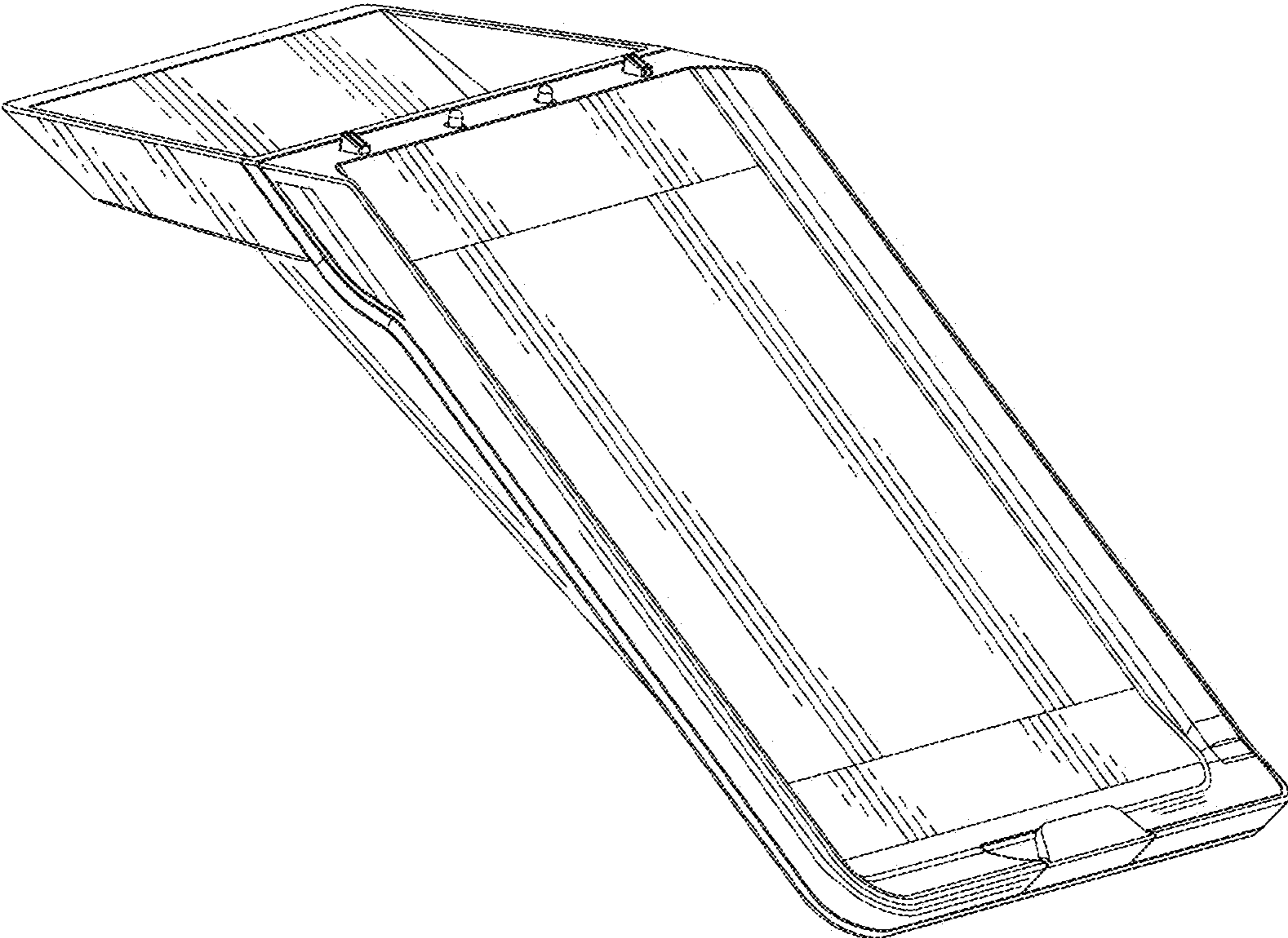


FIG. 1

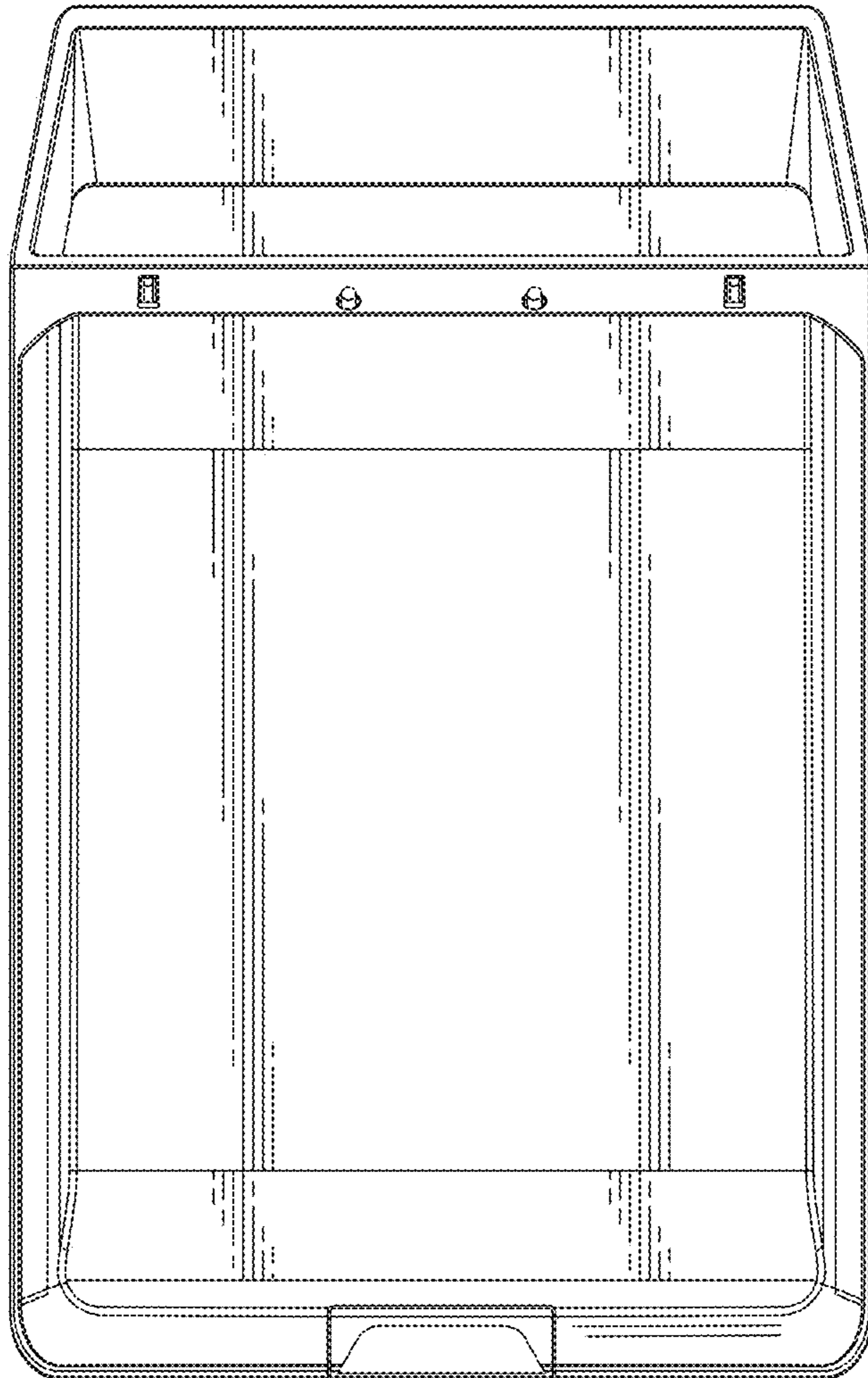


FIG. 2

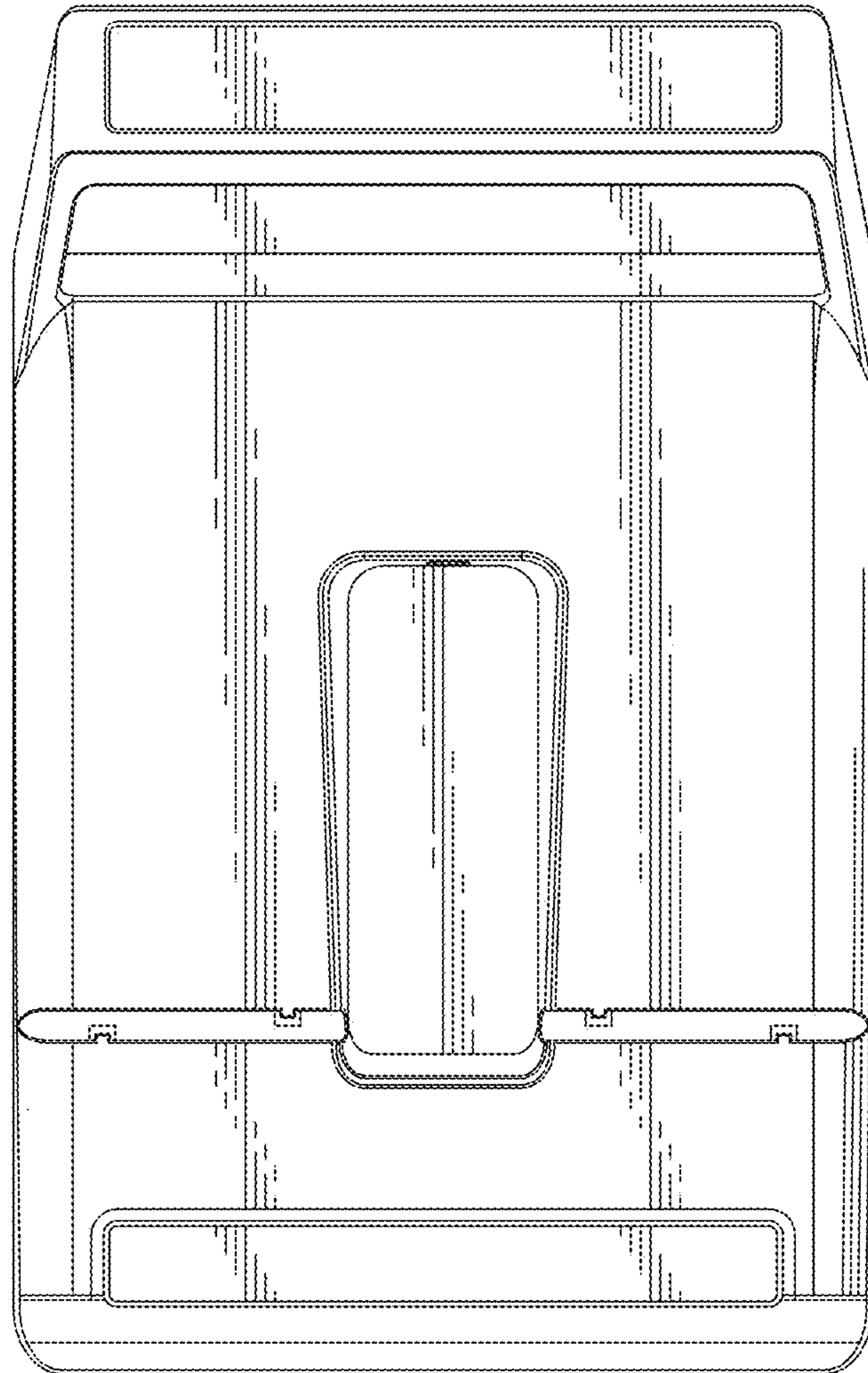


FIG. 3

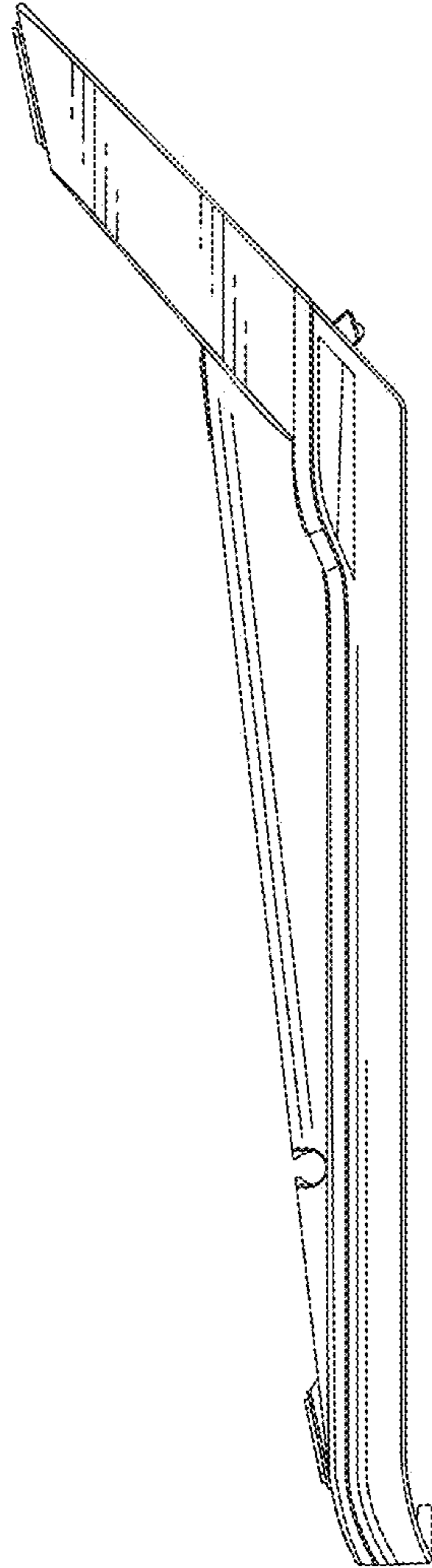


FIG. 4

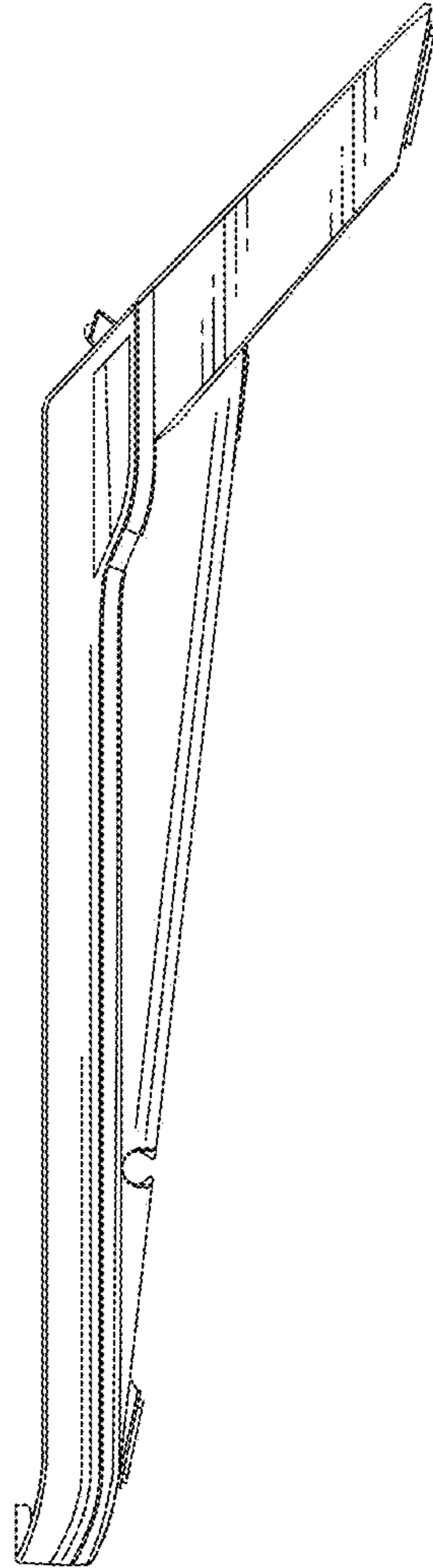


FIG. 5

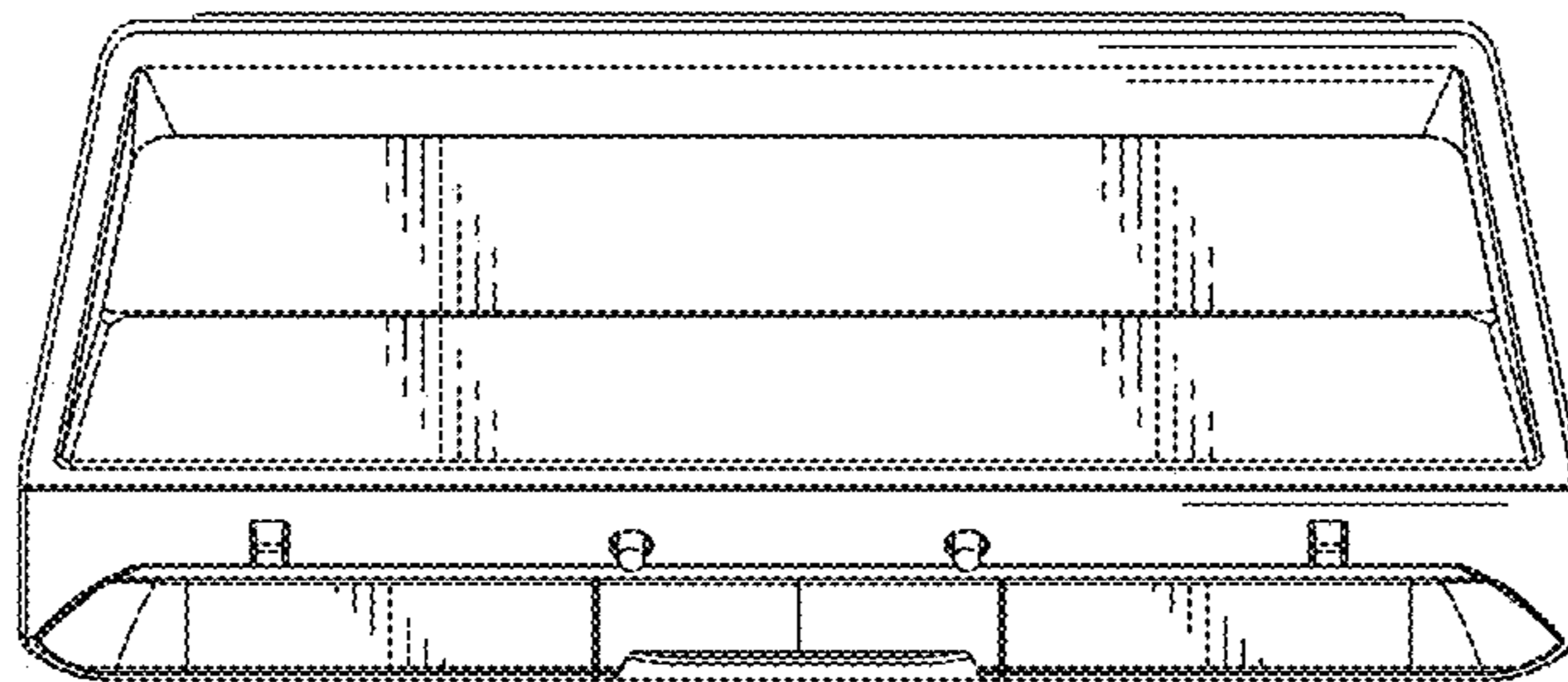


FIG. 6

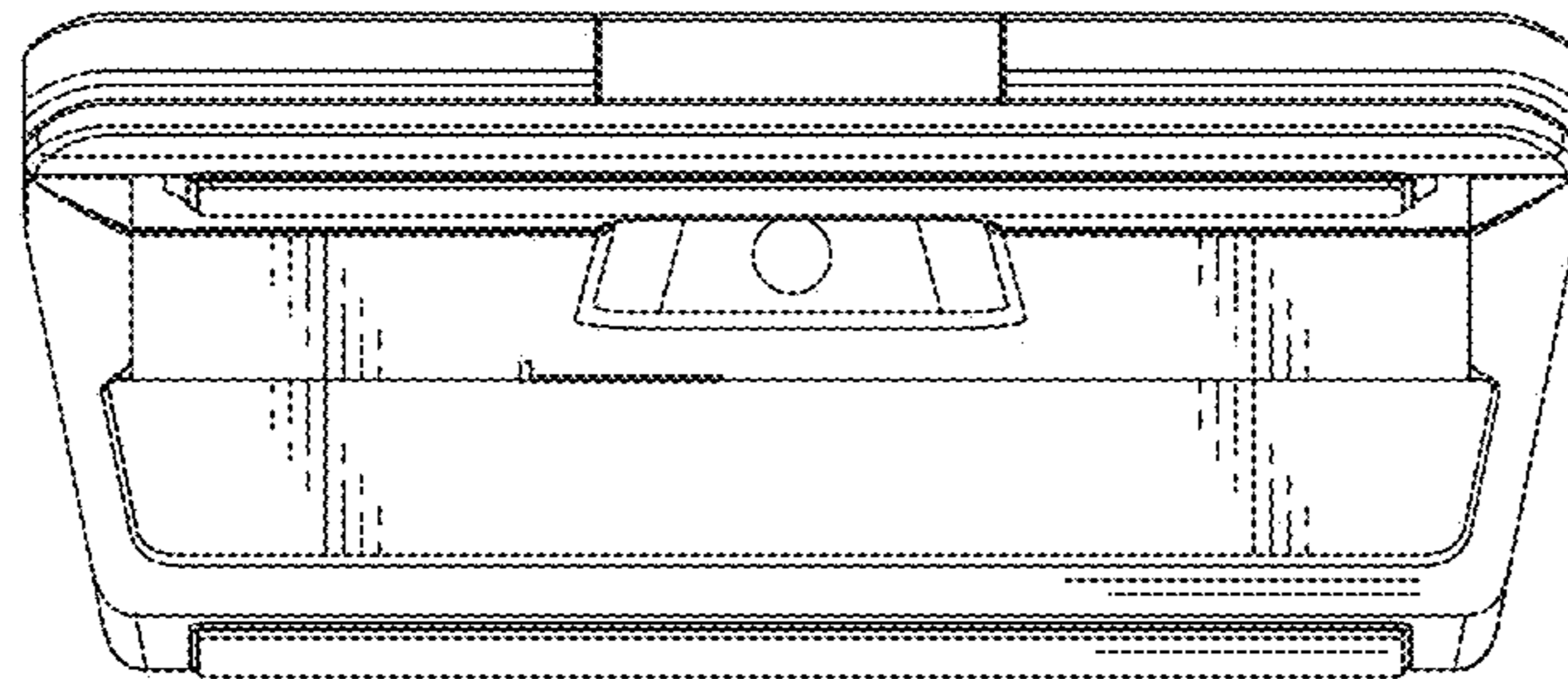


FIG. 7

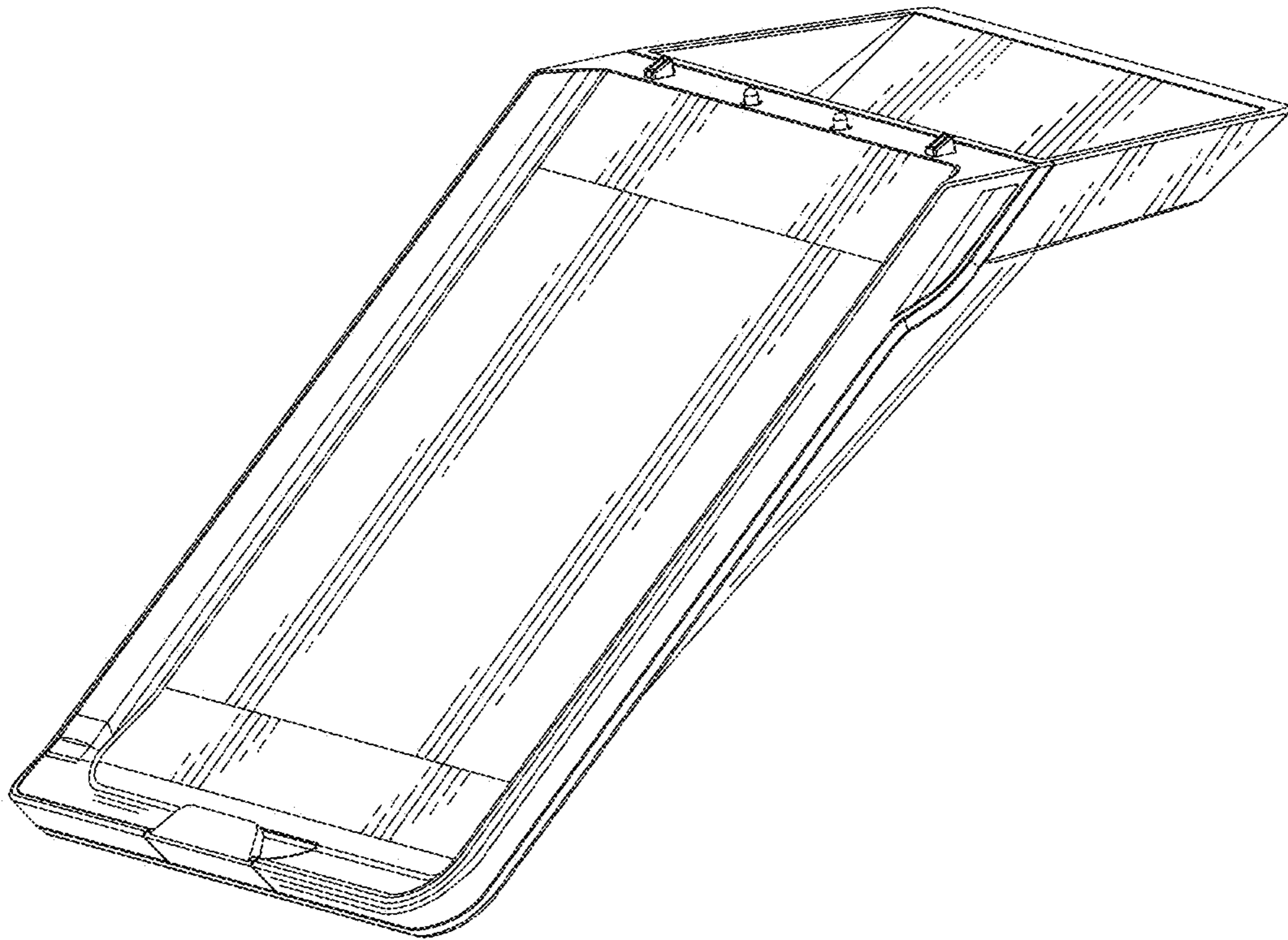


FIG. 8