



US00D871325S

(12) **United States Design Patent**
Cai

(10) **Patent No.:** **US D871,325 S**

(45) **Date of Patent:** **** Dec. 31, 2019**

(54) **CHARGER**

(71) Applicant: **Xiamen Padmate Technology Co., Ltd.**, Fujian (CN)

(72) Inventor: **Xiaolu Cai**, Fujian (CN)

(**) Term: **15 Years**

(21) Appl. No.: **29/640,891**

(22) Filed: **Mar. 18, 2018**

(30) **Foreign Application Priority Data**

Jan. 11, 2018 (CN) 2018 3 0012583

(51) **LOC (12) Cl.** **13-02**

(52) **U.S. Cl.**
USPC **D13/108**

(58) **Field of Classification Search**
USPC D13/107-108, 103, 105, 110, 119;
D14/447, 253, 434, 224, 217, 238.1, 251,
D14/240, 149, 358, 223; D3/294, 218,
D3/201, 298, 299; D9/721
CPC .. H02J 7/004; H02J 7/044; H02J 7/045; H02J
2007/0062; H02J 7/0054; H02J 7/0055;
H04R 1/1025

See application file for complete search history.

(56) **References Cited**

U.S. PATENT DOCUMENTS

D399,540 S * 10/1998 Wolfenstein D3/294
D613,056 S * 4/2010 Fahrendorff D3/218
D633,034 S * 2/2011 Heine D13/103
D701,166 S * 3/2014 Fishman D13/103

D702,942 S * 4/2014 Redman D3/290
D709,027 S * 7/2014 Fishman D13/103
D760,195 S * 6/2016 Lukic D14/216
D772,204 S * 11/2016 Tsou D14/223
D816,322 S * 5/2018 Choe D3/201
D817,640 S * 5/2018 Dang D3/294
D826,845 S * 8/2018 Greiner D13/103
D847,820 S * 5/2019 Pisapia D14/447
2016/0073189 A1 * 3/2016 Linden H02J 7/0044
381/74
2017/0245039 A1 * 8/2017 Chen H02J 7/0052
2018/0014436 A1 * 1/2018 Milevski H04R 1/1025

* cited by examiner

Primary Examiner — Brett Miller

(74) *Attorney, Agent, or Firm* — Prakash Nama; Global IP Services, PLLC

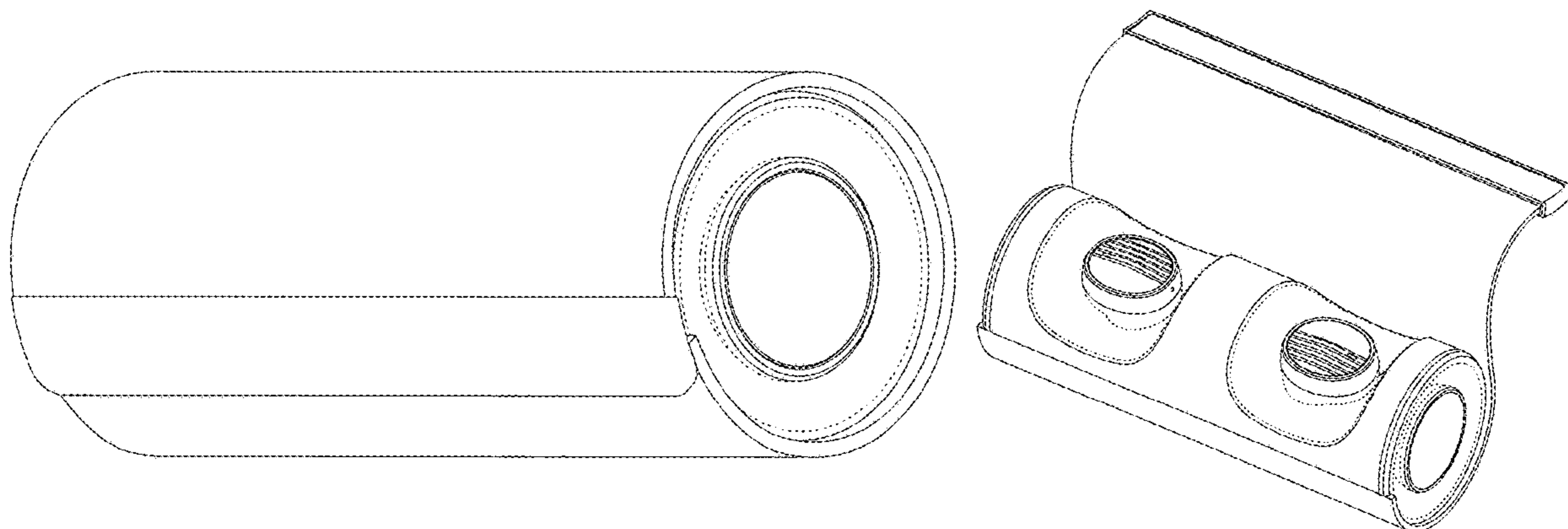
(57) **CLAIM**

The ornamental design for a charger, as shown and described.

DESCRIPTION

FIG. 1 is a front elevational view of a charger showing my new design;
FIG. 2 is a rear elevational view thereof;
FIG. 3 is a left side view in an enlarge scale thereof;
FIG. 4 is a right side view in an enlarge scale thereof;
FIG. 5 is a top plan view thereof;
FIG. 6 is a bottom plan view thereof;
FIG. 7 is a perspective view thereof; and,
FIG. 8 is a perspective view with the cover opened.
The broken lines depict portions of the charger that form no part of the claimed design.

1 Claim, 8 Drawing Sheets



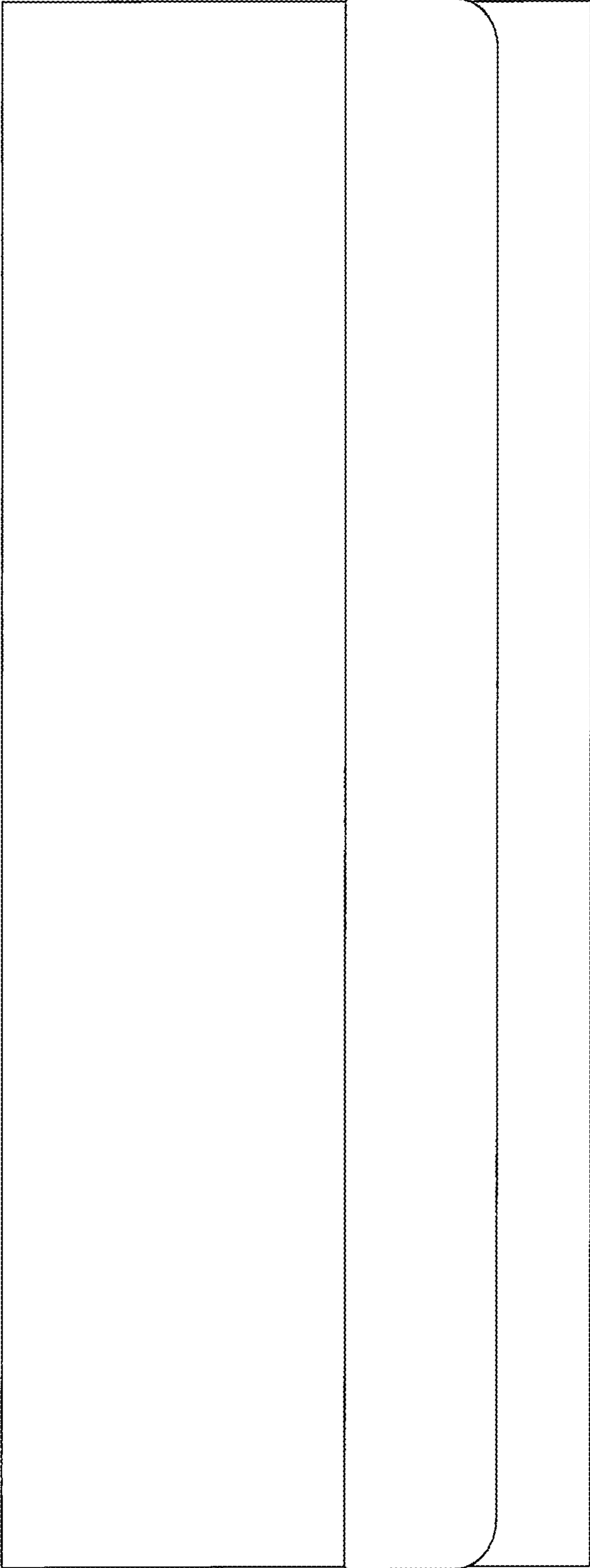


Fig. 1

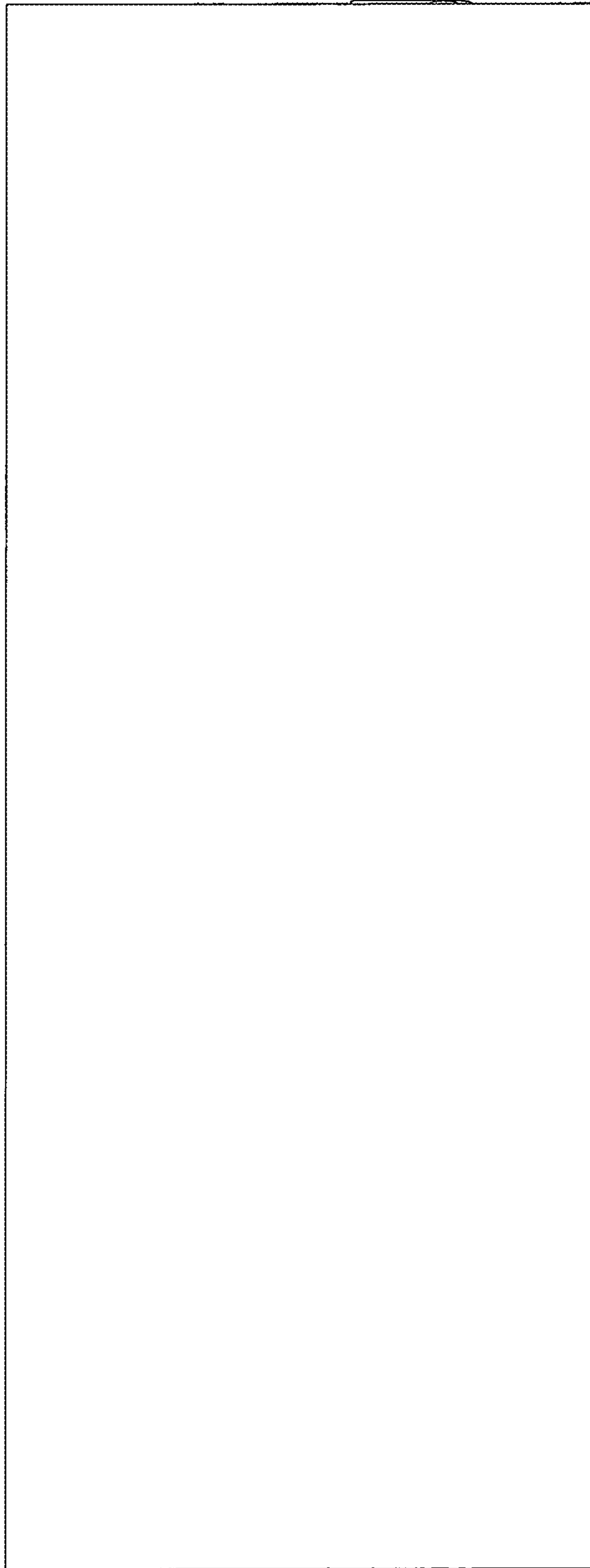


Fig. 2

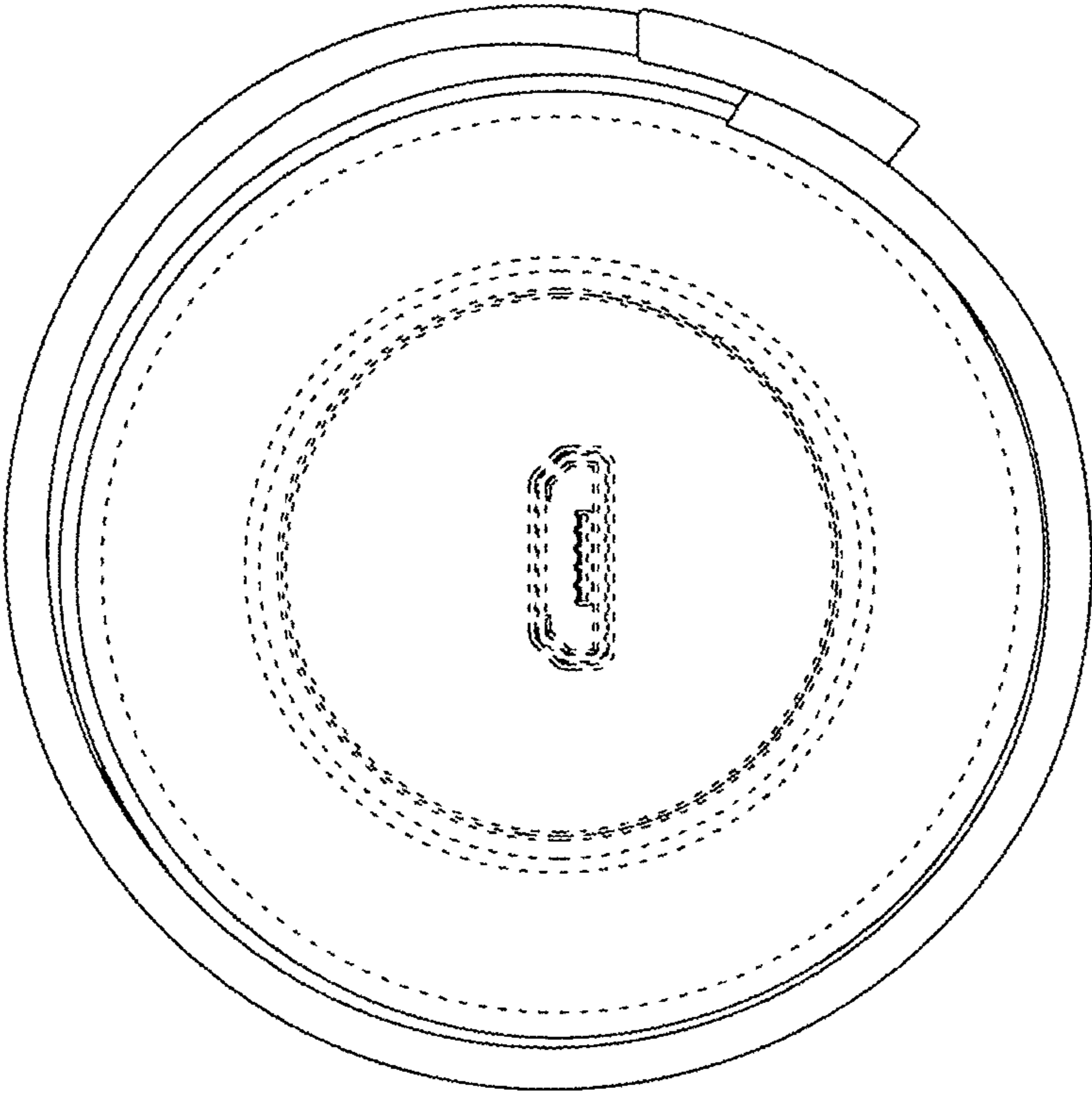


Fig. 3

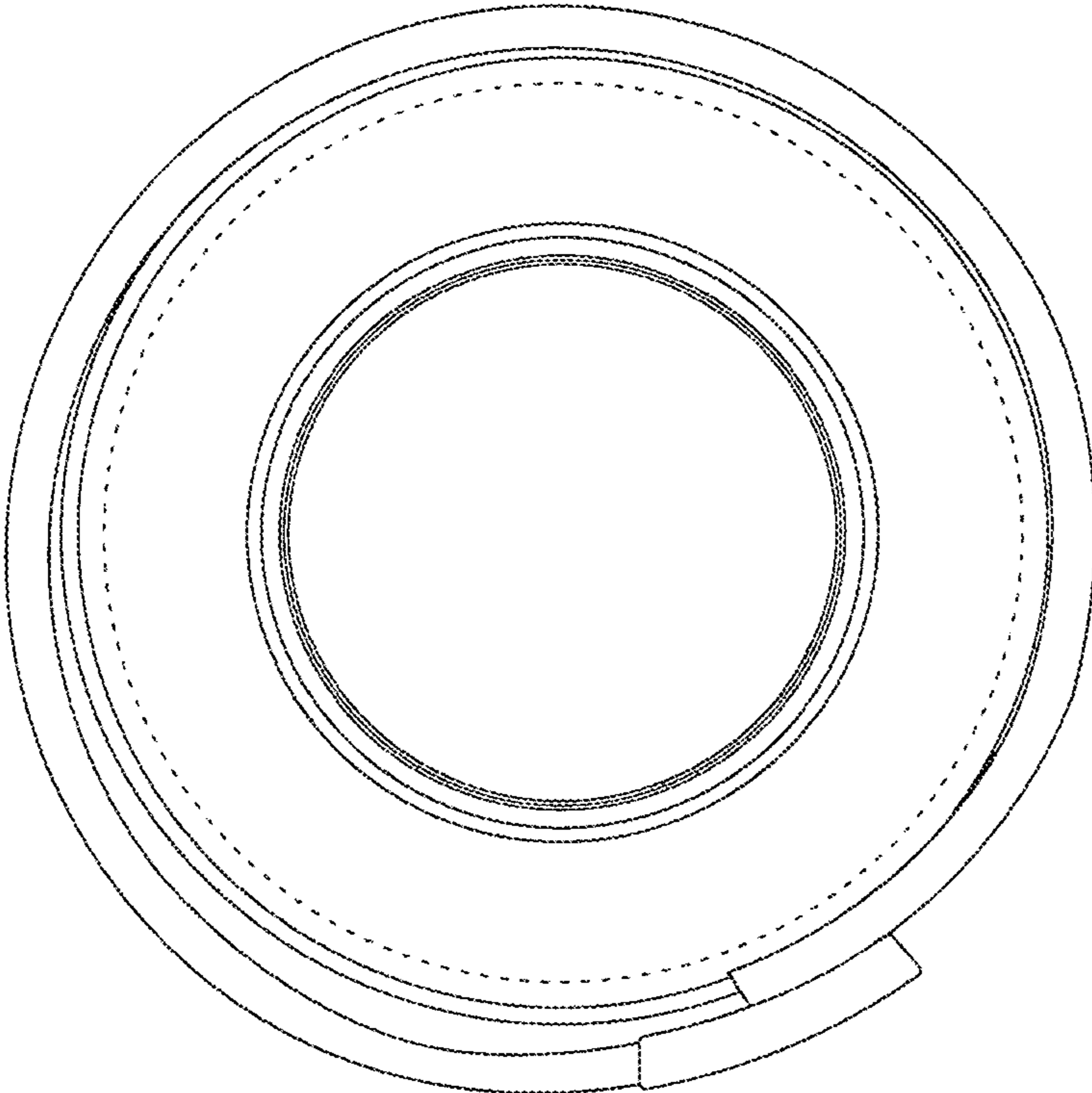


Fig. 4

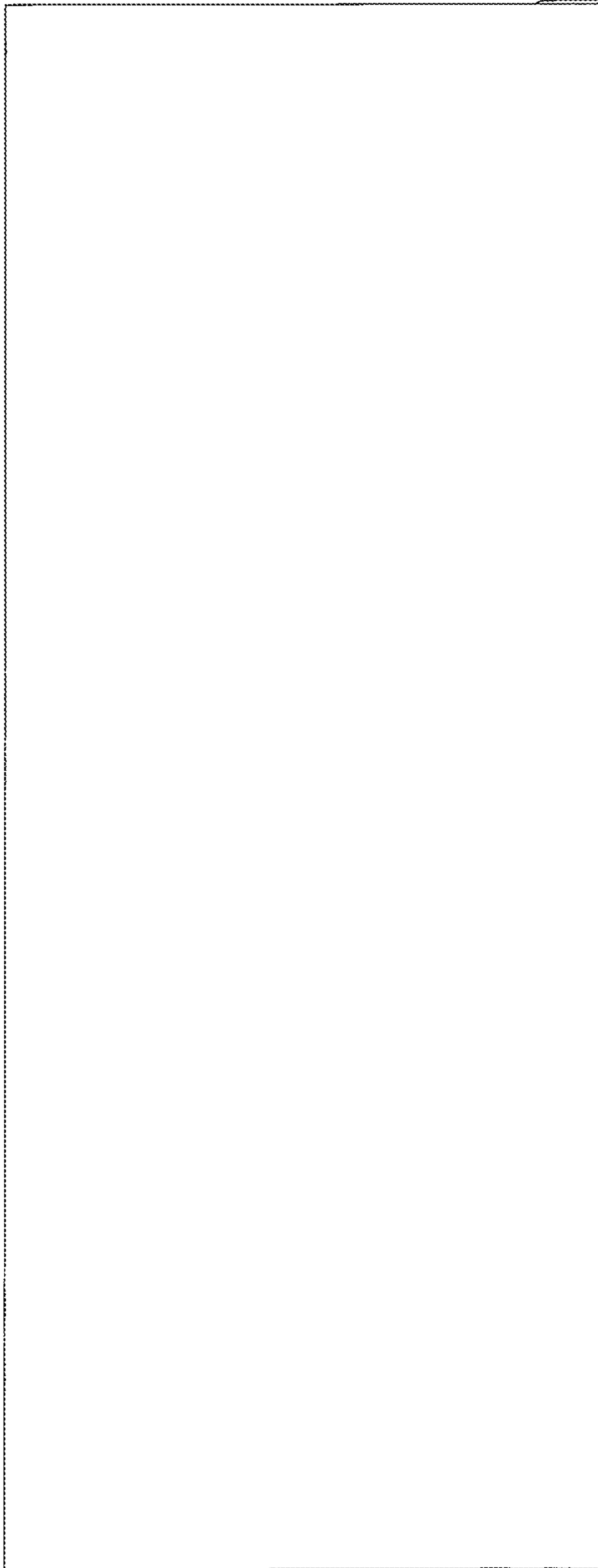


Fig. 5

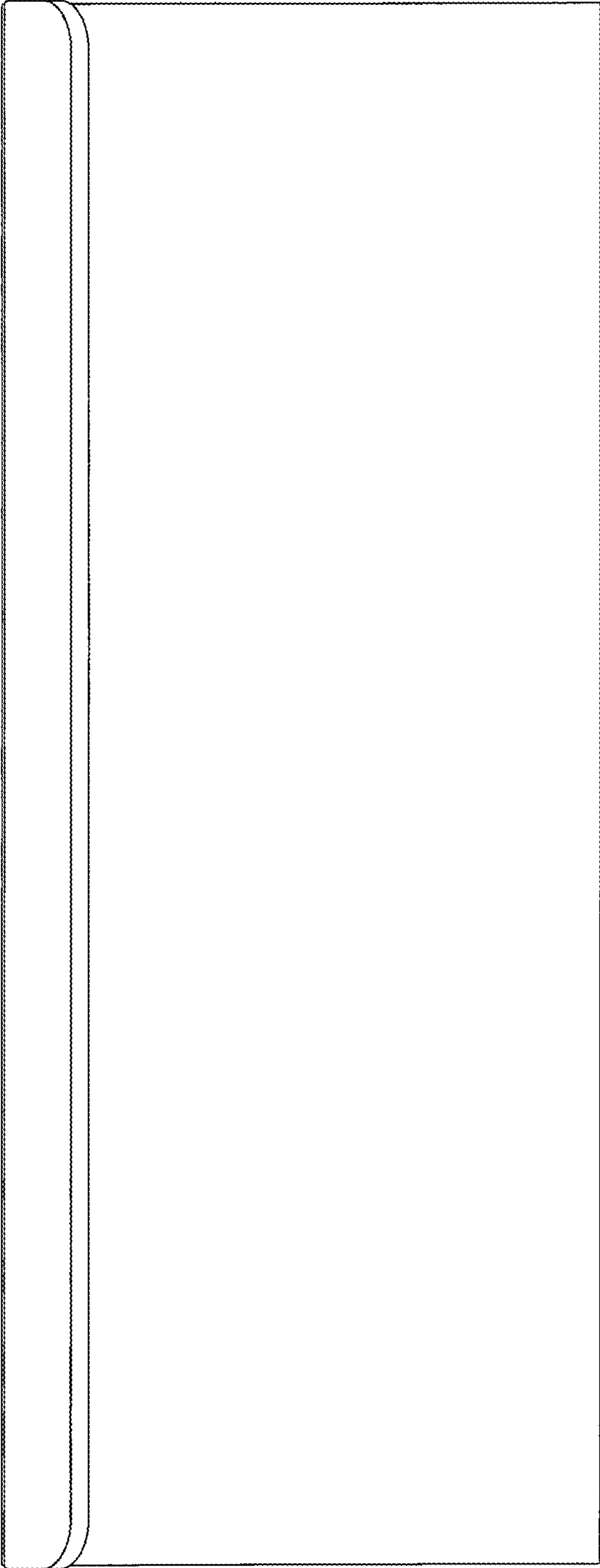


Fig. 6

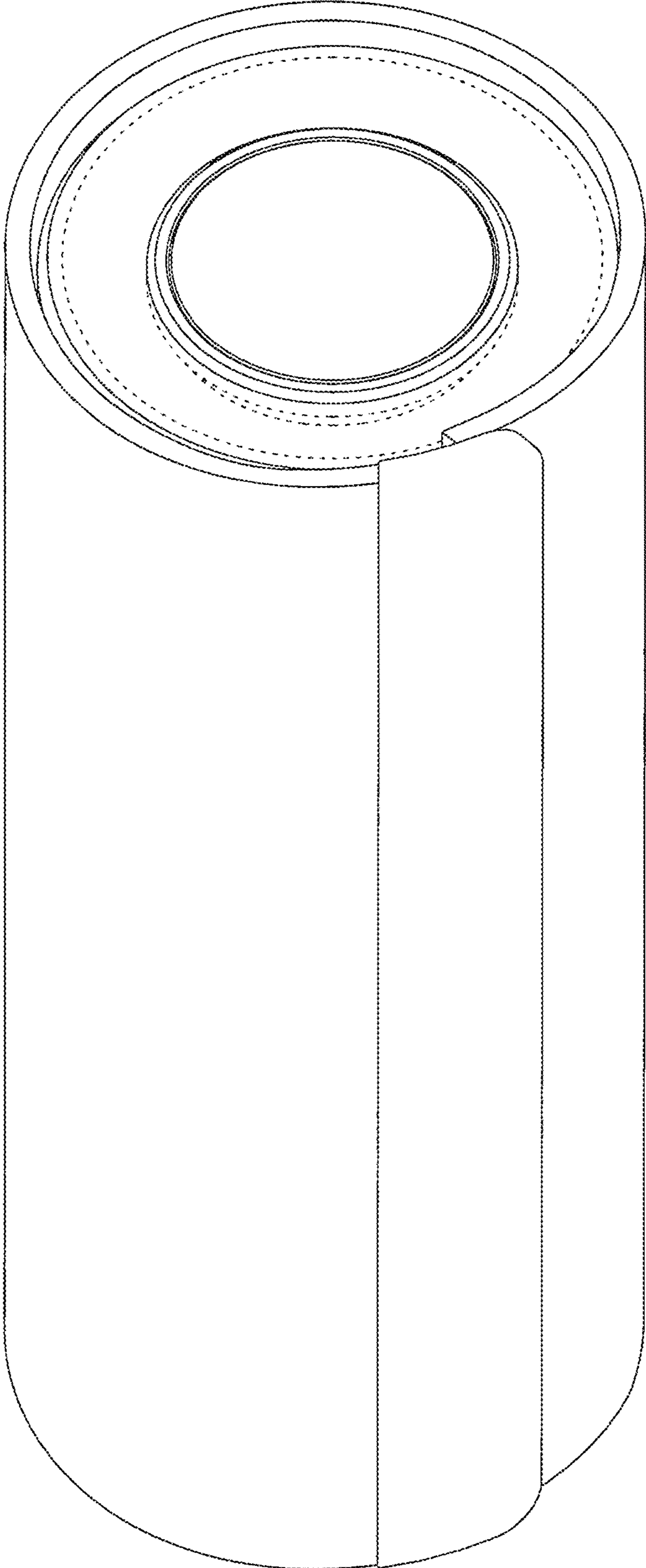


Fig. 7

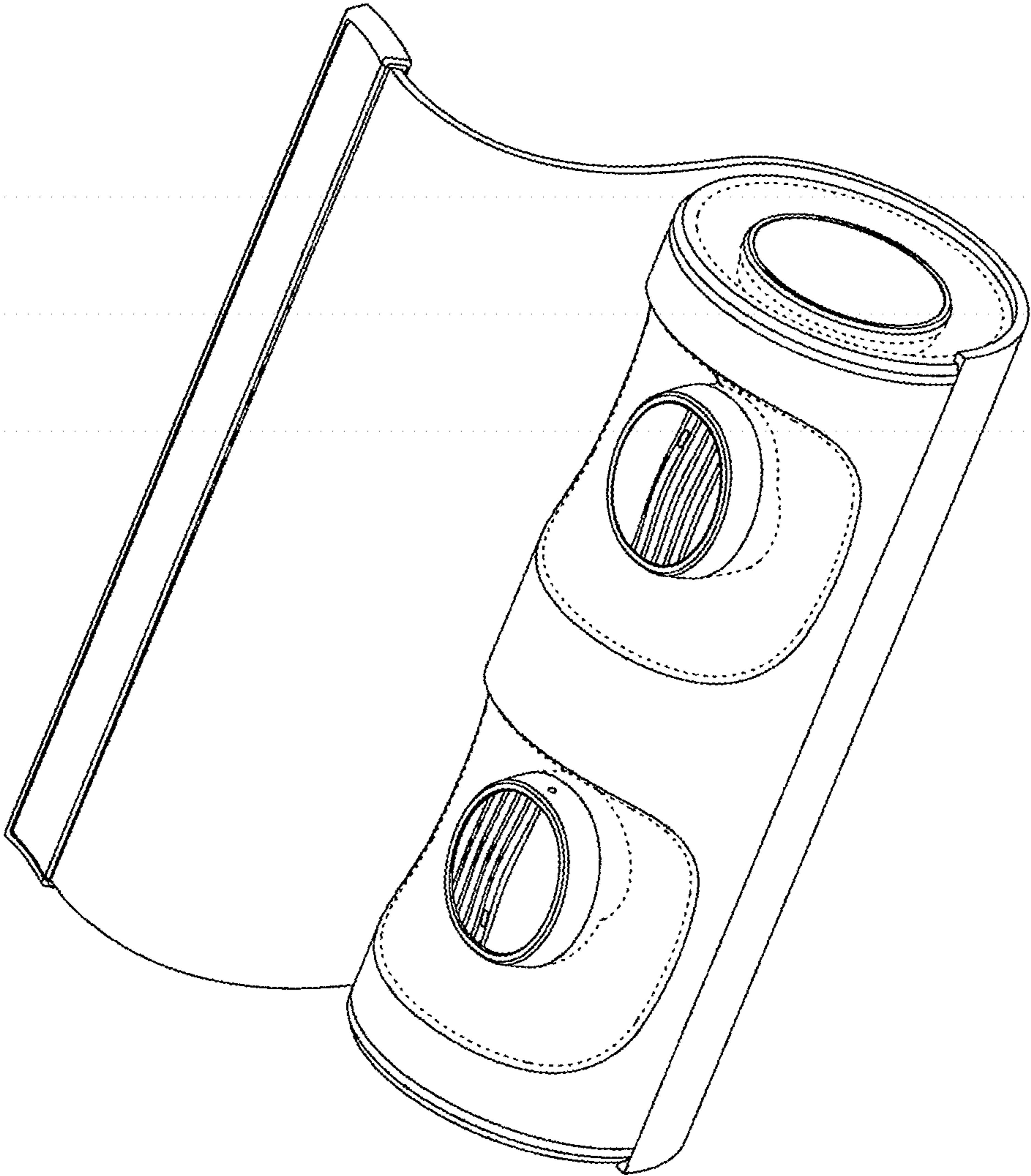


Fig. 8