



US00D871323S

(12) **United States Design Patent**  
**Cantin**

(10) **Patent No.:** **US D871,323 S**

(45) **Date of Patent:** **\*\* Dec. 31, 2019**

(54) **CHARGING STATION FOR CELL PHONES**

(71) Applicant: **Julie Cantin**, Pittsboro, NC (US)

(72) Inventor: **Julie Cantin**, Pittsboro, NC (US)

(\*\*) Term: **15 Years**

(21) Appl. No.: **29/615,453**

(22) Filed: **Aug. 29, 2017**

(51) **LOC (12) Cl.** ..... **13-02**

(52) **U.S. Cl.**  
USPC ..... **D13/108**

(58) **Field of Classification Search**  
USPC ..... D13/107-110, 118-119, 184; D14/251,  
D14/253, 432, 434  
CPC ..... Y02E 60/12; Y02T 90/14; Y02T 90/122;  
Y02T 90/128; Y02T 90/163; H02J 7/025;  
H02J 7/0042; H02J 7/0044; H02J 7/0045;  
H02J 7/0003; H01F 38/14; H01R  
13/6675; H01M 2/1022; H01M 2/1055;  
H01M 10/44; H01M 10/46; H01M  
10/425; B60L 11/182  
See application file for complete search history.

(56) **References Cited**

**U.S. PATENT DOCUMENTS**

4,684,027 A \* 8/1987 Wright ..... G11B 23/027  
211/40  
D528,072 S \* 9/2006 Chen ..... D13/108

D654,019 S \* 2/2012 Ikegame ..... D13/108  
D720,166 S \* 12/2014 Trindall ..... D6/683.1  
D761,729 S \* 7/2016 Leong ..... D13/108  
D778,829 S \* 2/2017 Marmus ..... D13/108  
D795,189 S \* 8/2017 Skurdal ..... D13/108  
D805,030 S \* 12/2017 Massar ..... D13/108  
D818,432 S \* 5/2018 Zhu ..... D13/108  
D823,796 S \* 7/2018 Zhang ..... D13/108

\* cited by examiner

*Primary Examiner* — Rosemary K Tarcza  
*Assistant Examiner* — Nathaniel D. Buckner

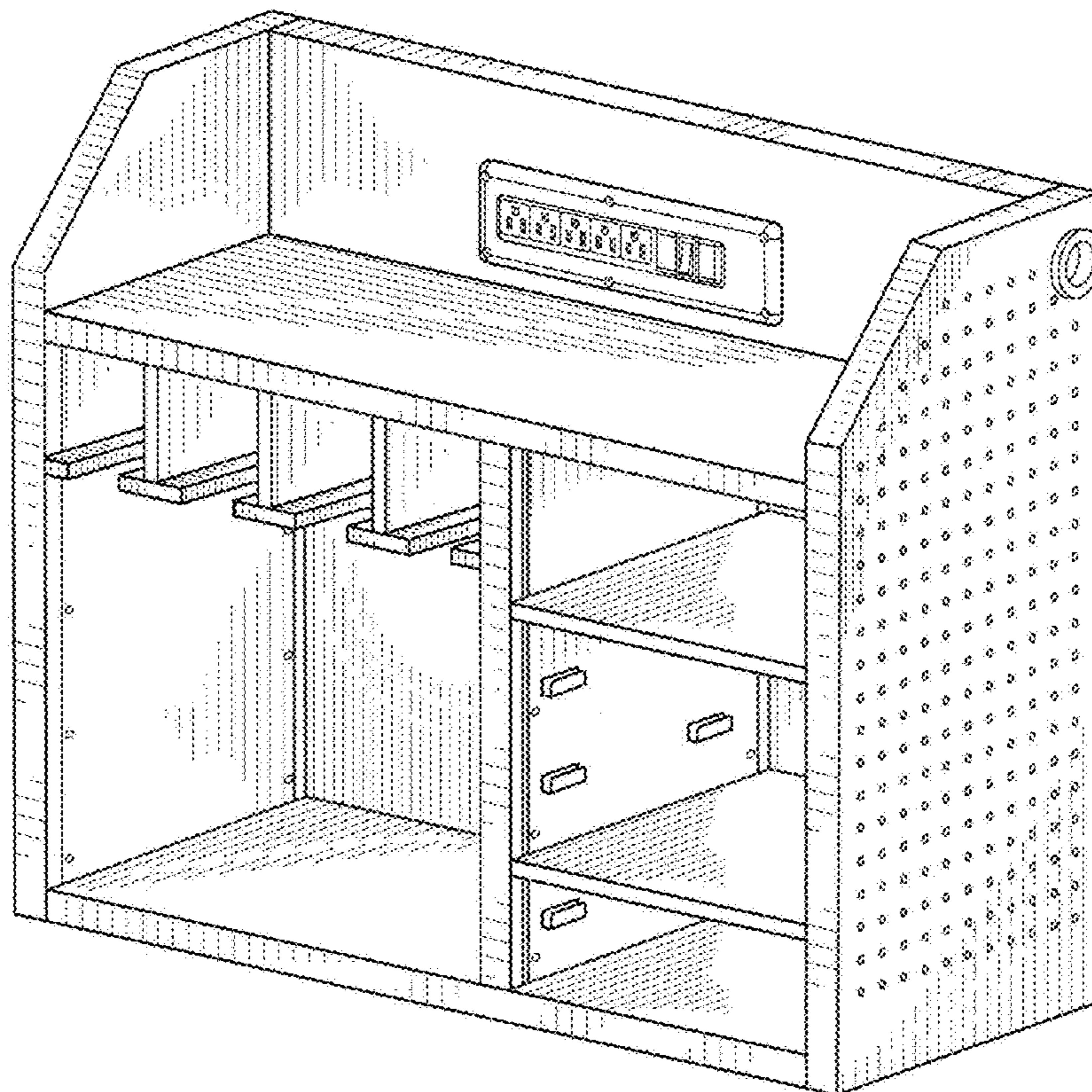
(57) **CLAIM**

I claim the ornamental design for a charging station for cell phones, as shown and described.

**DESCRIPTION**

FIG. 1 is a bottom perspective view showing my new design;  
FIG. 2 is a top perspective view thereof;  
FIG. 3 is a front elevational view thereof;  
FIG. 4 is a rear elevational view thereof;  
FIG. 5 is a right side elevational view thereof;  
FIG. 6 is a left side elevational view thereof;  
FIG. 7 is a top plan view thereof; and,  
FIG. 8 is a bottom plan view thereof.

**1 Claim, 5 Drawing Sheets**



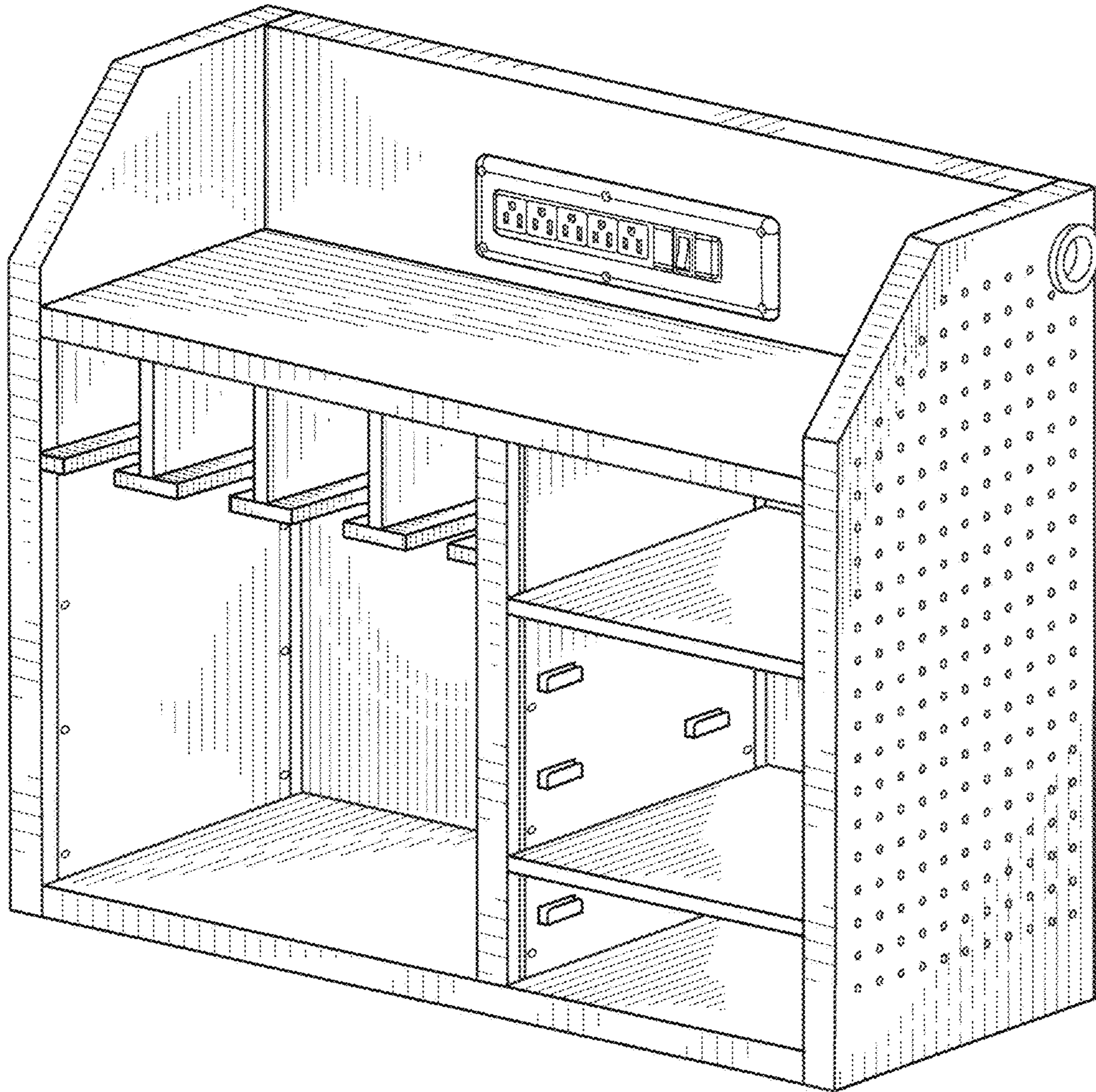


FIG. 1



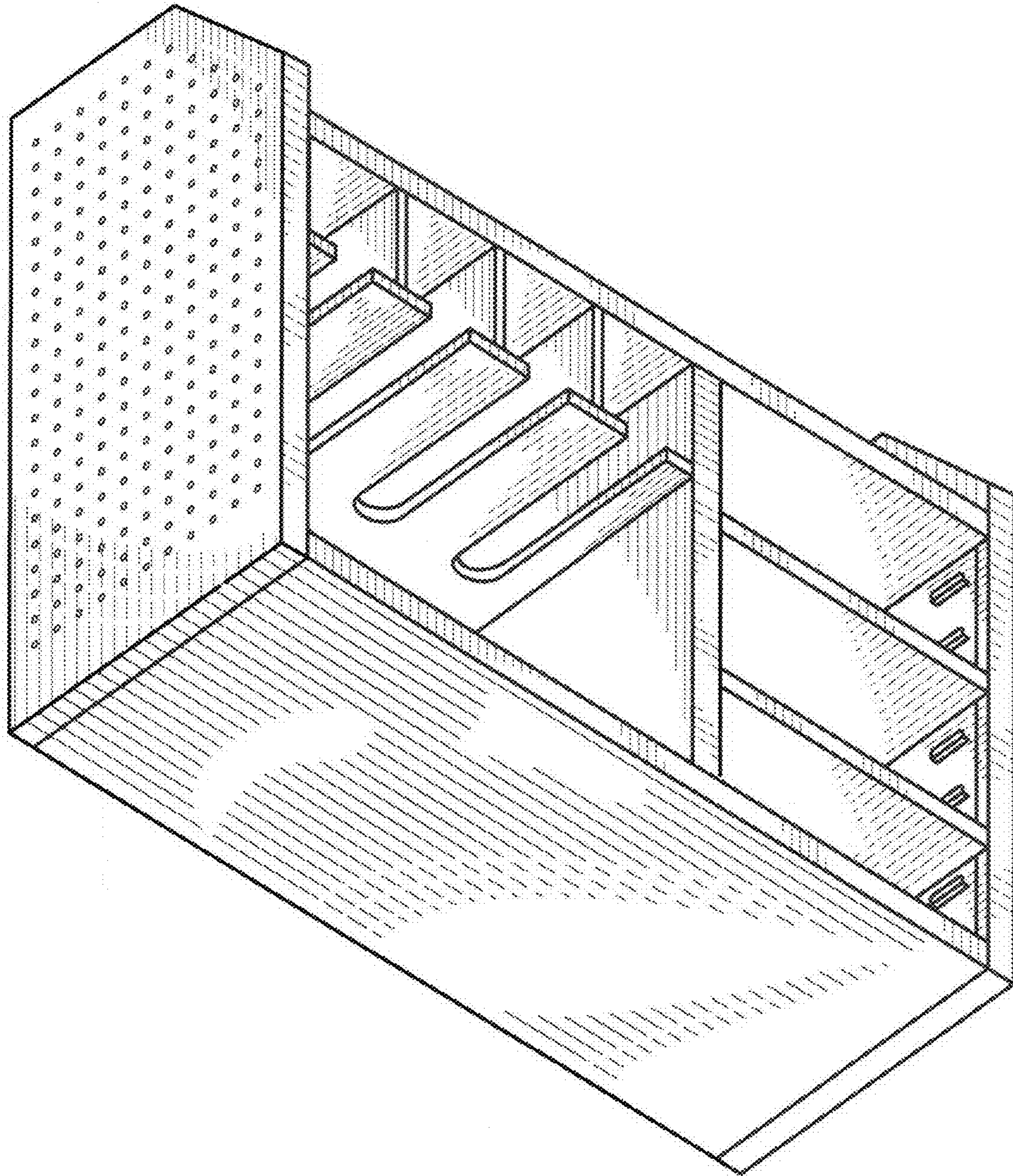


FIG. 2

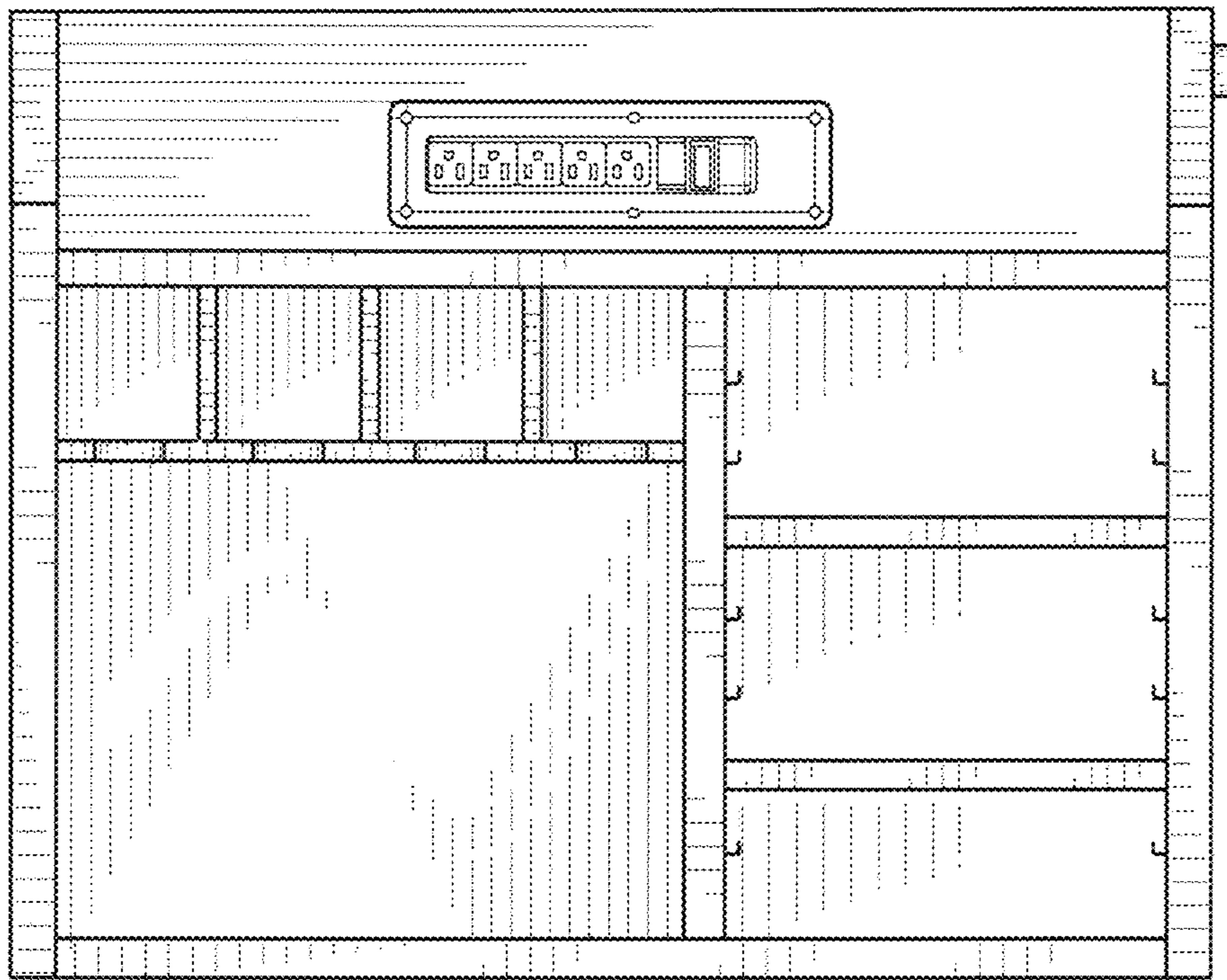


FIG. 3



FIG. 4



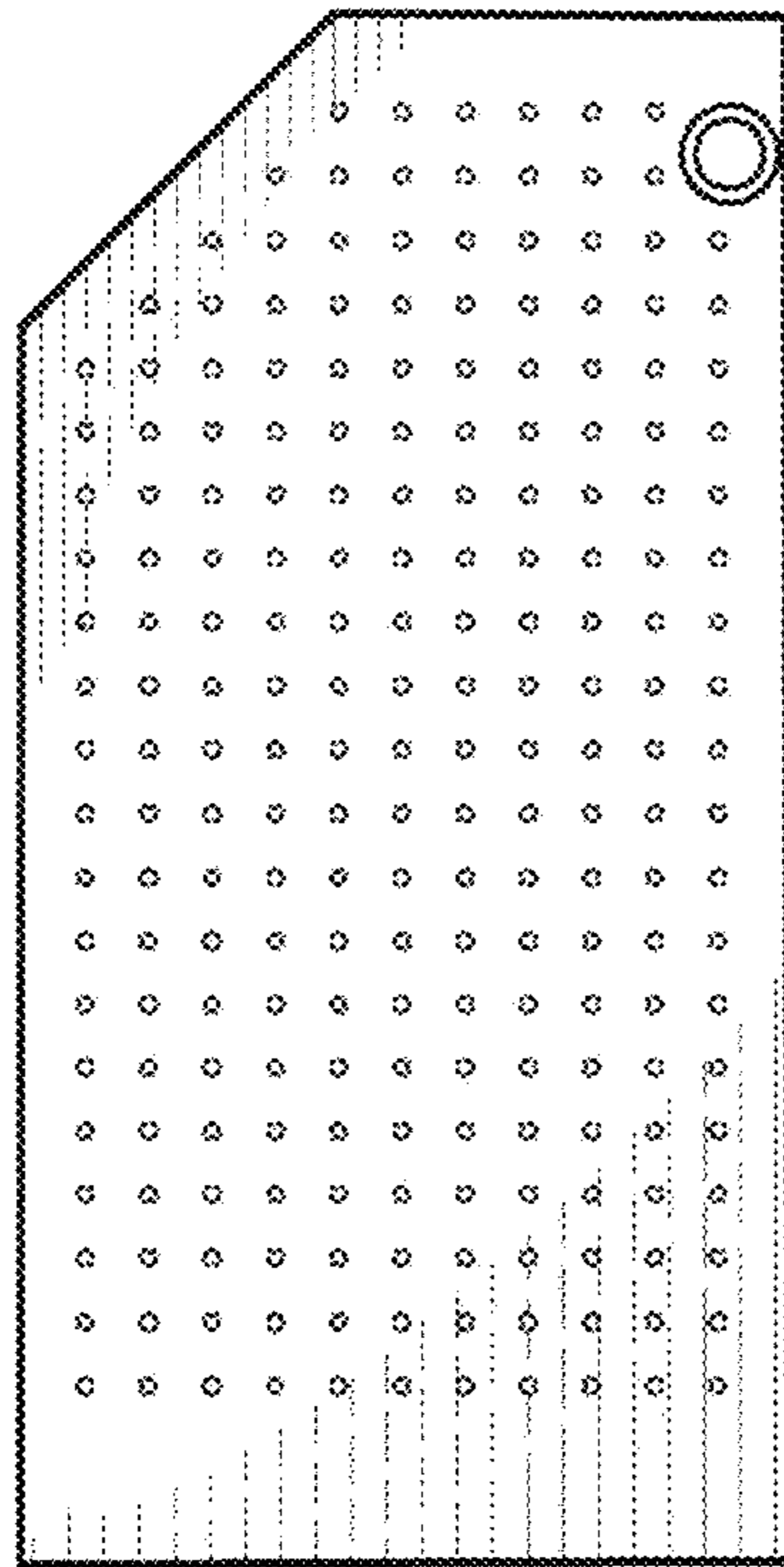


FIG. 5

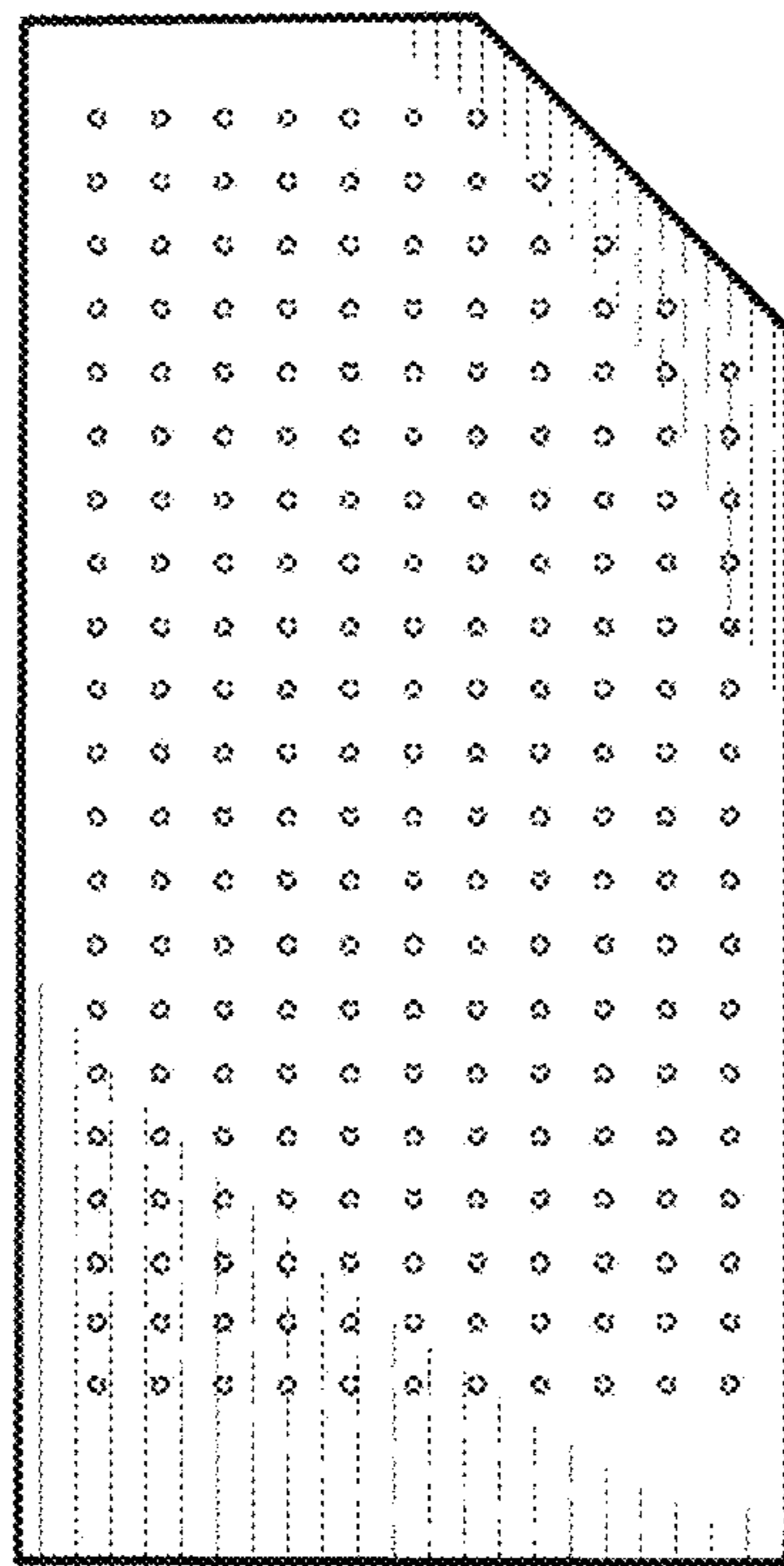


FIG. 6

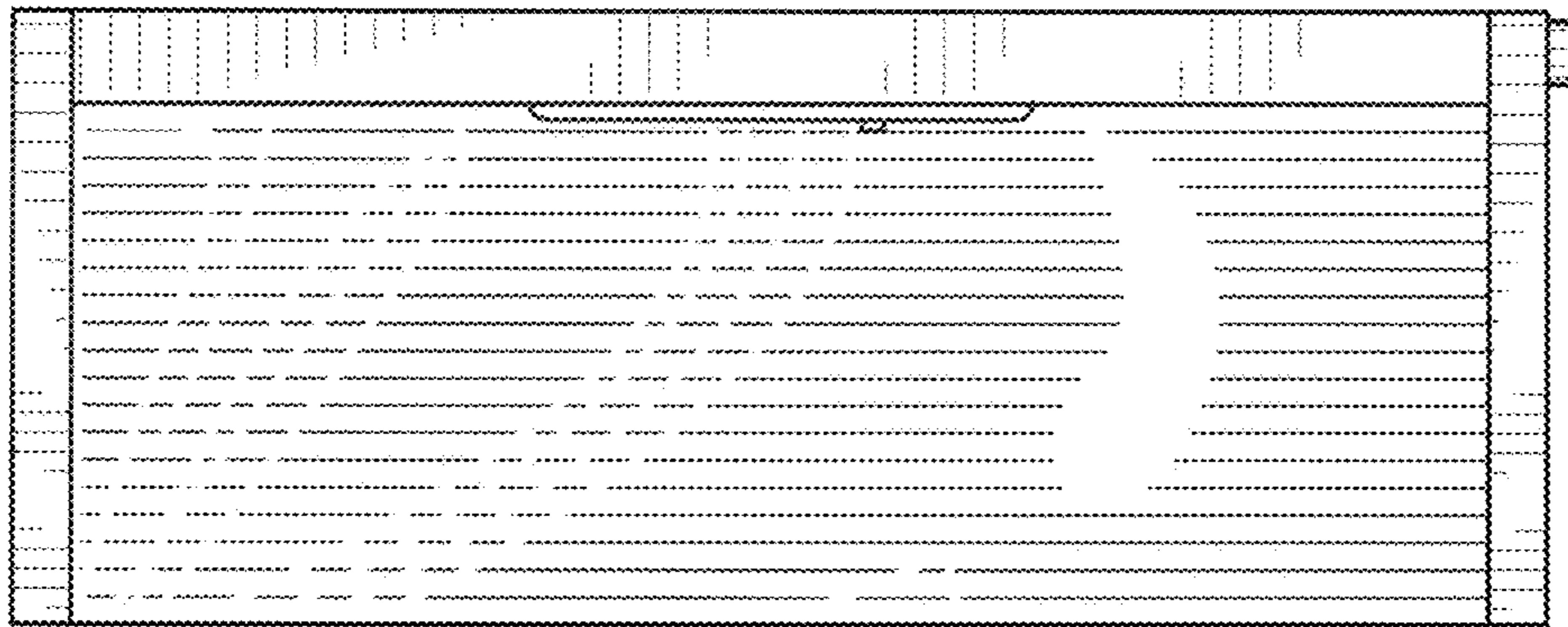


FIG. 7

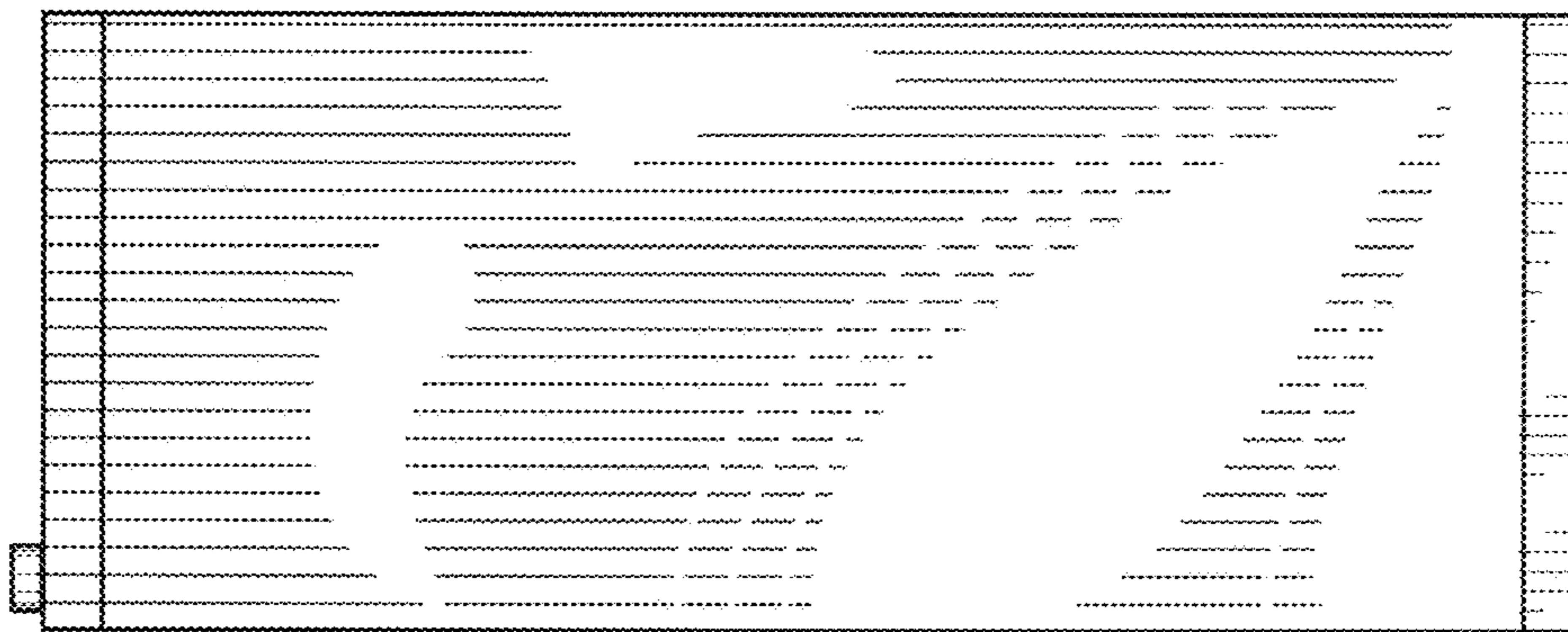


FIG. 8