



US00D871320S

(12) **United States Design Patent**
Henning

(10) **Patent No.:** **US D871,320 S**

(45) **Date of Patent:** **** Dec. 31, 2019**

(54) **SOLAR CELL CONNECTOR WITH STRIPES FOR A SOLAR PANEL**

(71) Applicant: **Heraeus Deutschland GmbH & Co. KG, Hanau (DE)**

(72) Inventor: **Andreas Henning, Sinntal-Mottgers (DE)**

(73) Assignee: **HERAEUS DEUTSCHLAND GMBH & CO. KG, Hanau (DE)**

(**) Term: **15 Years**

(21) Appl. No.: **29/645,327**

(22) Filed: **Apr. 25, 2018**

(30) **Foreign Application Priority Data**

Oct. 27, 2017 (DE) 40 2017 203 508

(51) **LOC (12) Cl.** **13-02**

(52) **U.S. Cl.**
USPC **D13/102**

(58) **Field of Classification Search**
USPC D13/101, 102, 110, 133, 182, 199
CPC Y02E 10/40; Y02E 10/44; Y02E 10/52;
Y02E 10/542; Y02E 10/544; E04H 4/08;
H01L 31/00; H01L 31/042; H01L 31/045;
H01L 31/048; H01L 31/052; H01L 31/184; H01L 31/0232; H01L 31/0508;
H01L 31/0512; H01L 31/0543
See application file for complete search history.

(56) **References Cited**

U.S. PATENT DOCUMENTS

4,283,106 A * 8/1981 Bunnell H01L 31/02013
136/244
D627,279 S * 11/2010 Fisker D12/169
9,045,174 B2 * 6/2015 Dixon B62D 25/182

D767,484 S * 9/2016 Morad D13/102
9,550,533 B2 * 1/2017 Wylezinski B62D 25/163
D814,402 S * 4/2018 Cheung D13/102
D817,867 S * 5/2018 Kojima D13/102
2011/0265849 A1 * 11/2011 Hong H01L 31/0504
136/244
2012/0037215 A1 * 2/2012 Ball F24S 40/20
136/251
2012/0227792 A1 * 9/2012 Chen H01L 31/02
136/251
2013/0333305 A1 * 12/2013 Stearns E04D 13/10
52/24
2014/0301003 A1 * 10/2014 Jankowski H01L 31/02021
361/57

(Continued)

Primary Examiner — Susan Bennett Hattan
Assistant Examiner — Suzanne E Tisdell
(74) *Attorney, Agent, or Firm* — Blank Rome LLP

(57) **CLAIM**

I claim the ornamental design for a solar cell connector with stripes for a solar panel, as shown and described.

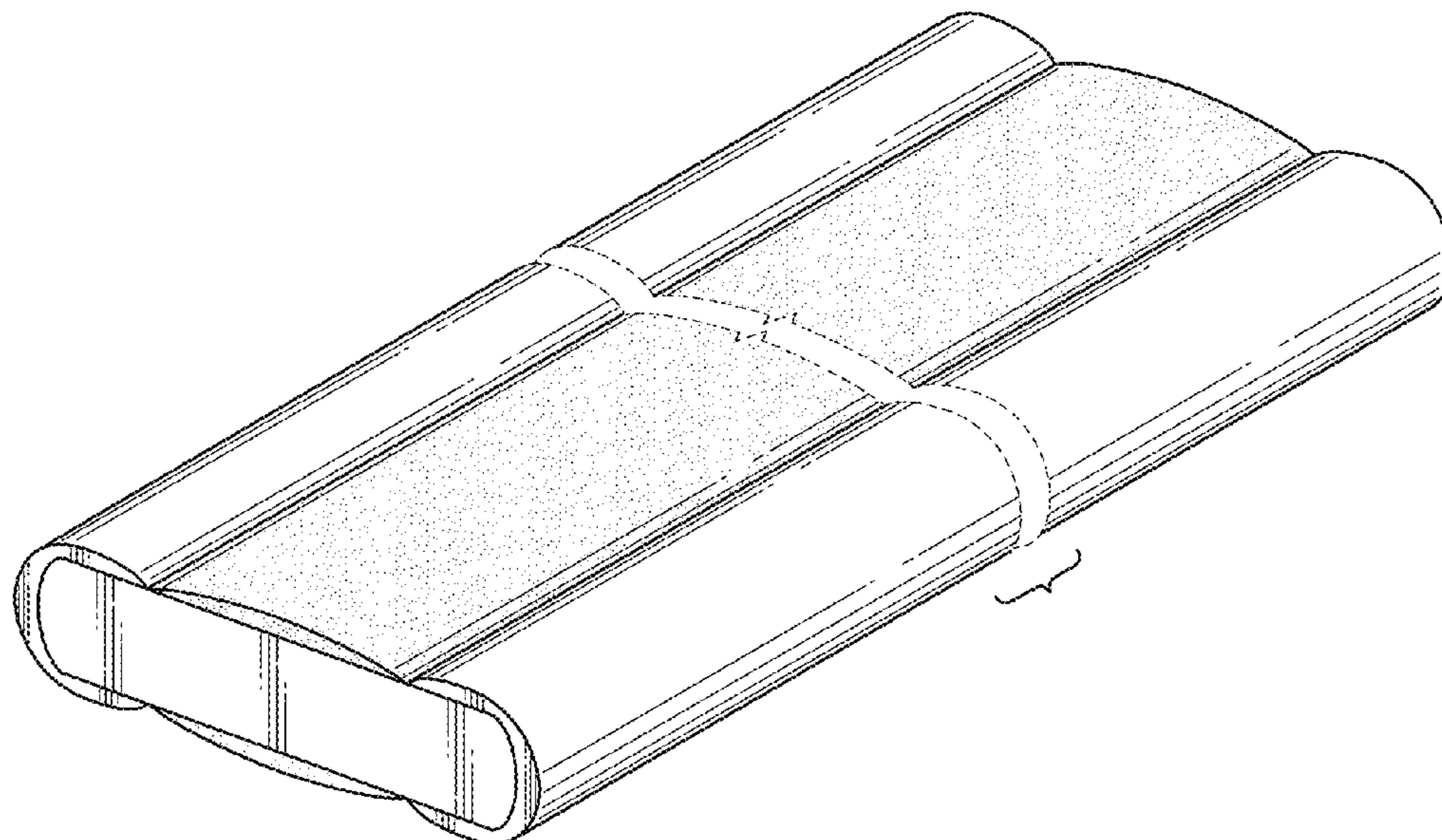
DESCRIPTION

FIG. 1 is a perspective view of a solar cell connector with stripes, showing my new design;
FIG. 2 is a front elevational view thereof;
FIG. 3 is a top plan view thereof; and,
FIG. 4 is a right side elevational view thereof.

The rear elevational view is a mirror image of the front elevational view shown in FIG. 2. The bottom plan view is a mirror image of the top plan view shown in FIG. 3. The left side elevational view is a mirror image of the right side elevational view shown in FIG. 4.

The broken lines are for illustrating unclaimed portions of the solar cell connector with stripes. The broken lines form no part of the claimed design. The appearance of any portion of the solar cell connector with stripes between break lines forms no part of the claimed design.

1 Claim, 4 Drawing Sheets



(56)

References Cited

U.S. PATENT DOCUMENTS

2016/0072431 A1* 3/2016 Solon H02S 40/30
136/244
2016/0301354 A1* 10/2016 Draffin, II H02S 10/40
2018/0062572 A1* 3/2018 Kunesh F24S 30/452
2018/0091089 A1* 3/2018 Lange H02S 20/32
2018/0239841 A1* 8/2018 Wachman G06F 17/5004
2018/0241343 A1* 8/2018 Jiang H02S 40/10
2019/0144138 A1* 5/2019 Spark H02S 30/20
244/172.6

* cited by examiner

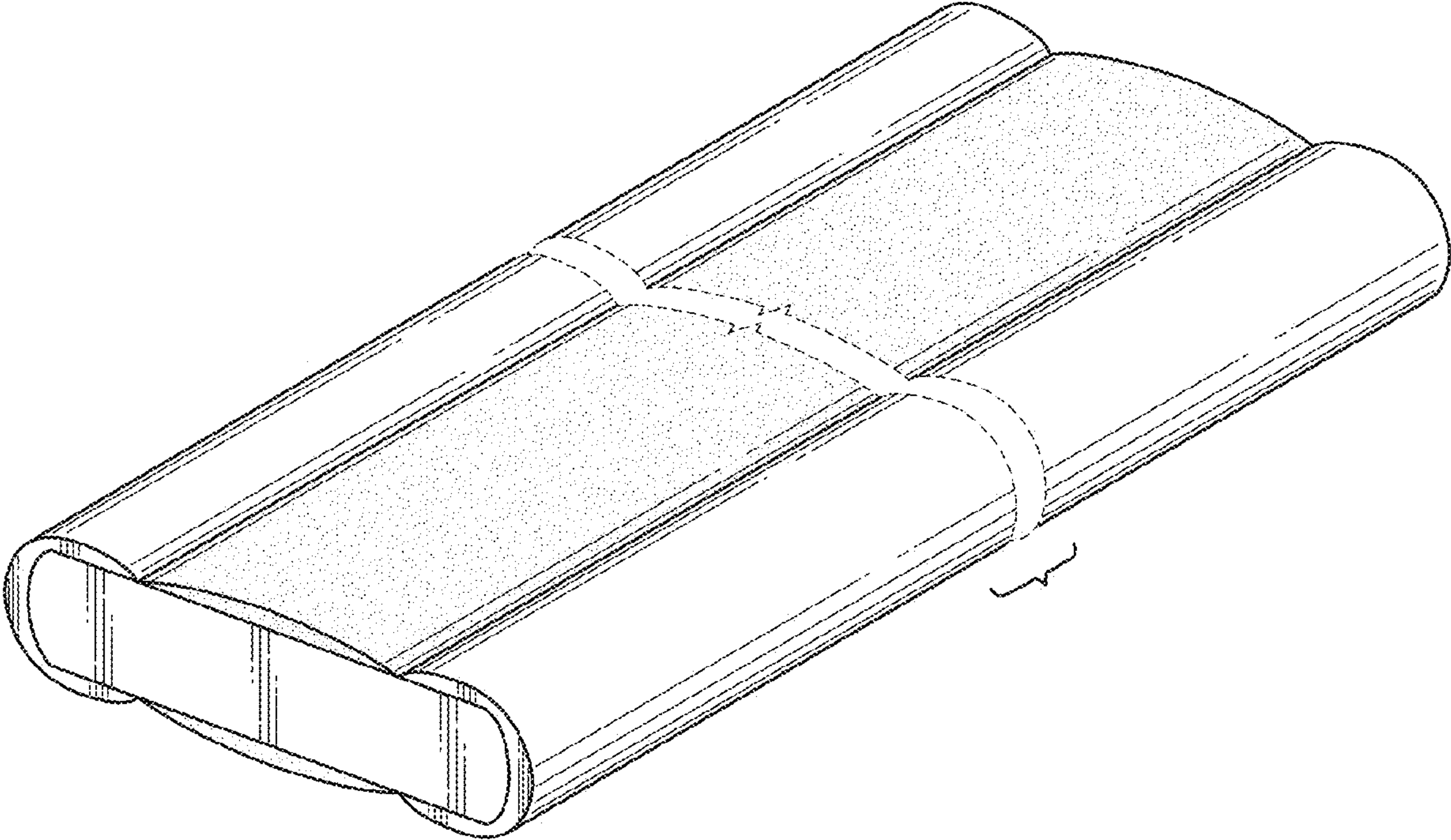


FIG. 1

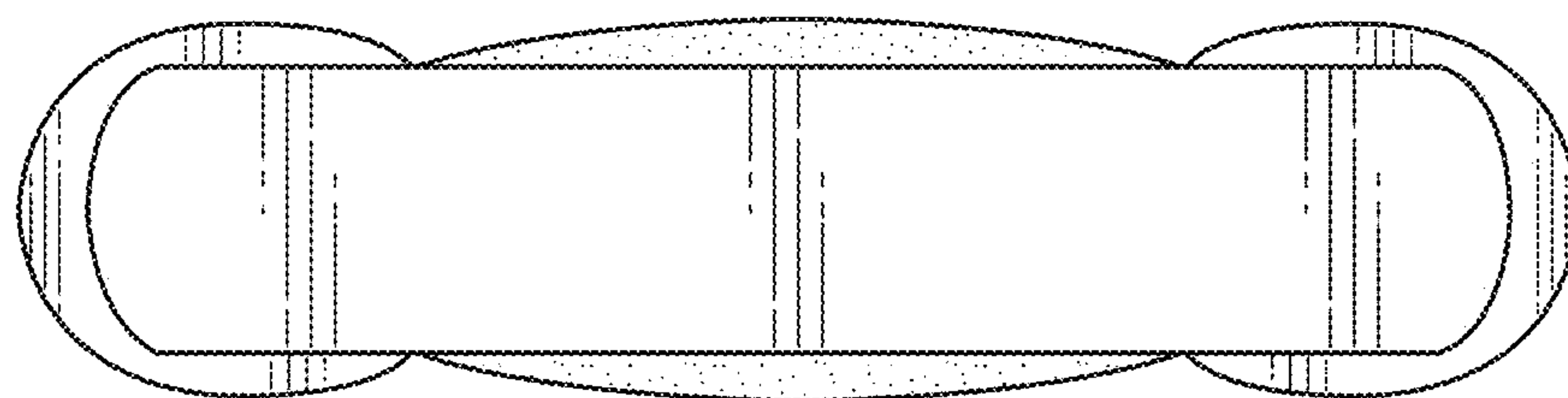


FIG. 2

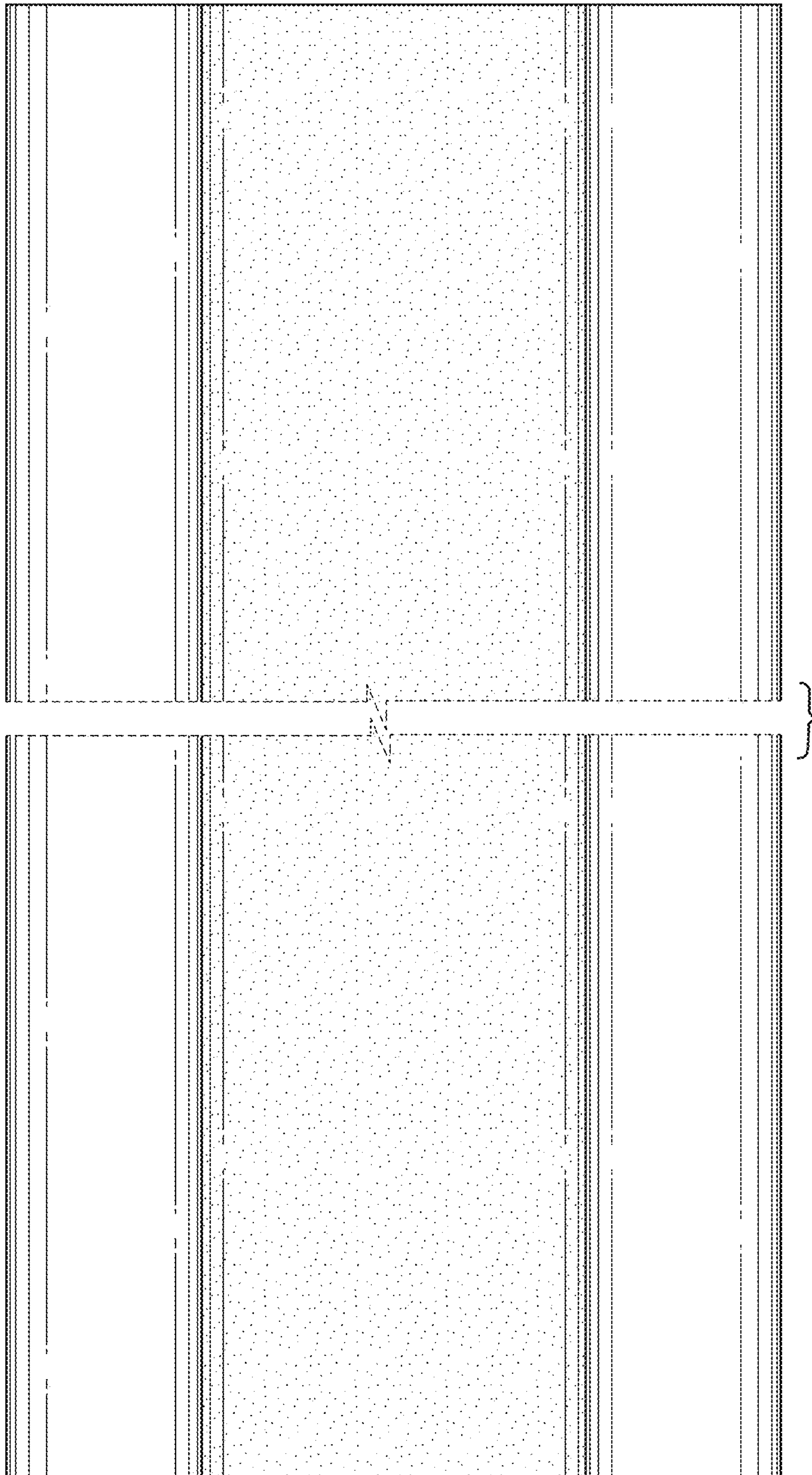


FIG. 3

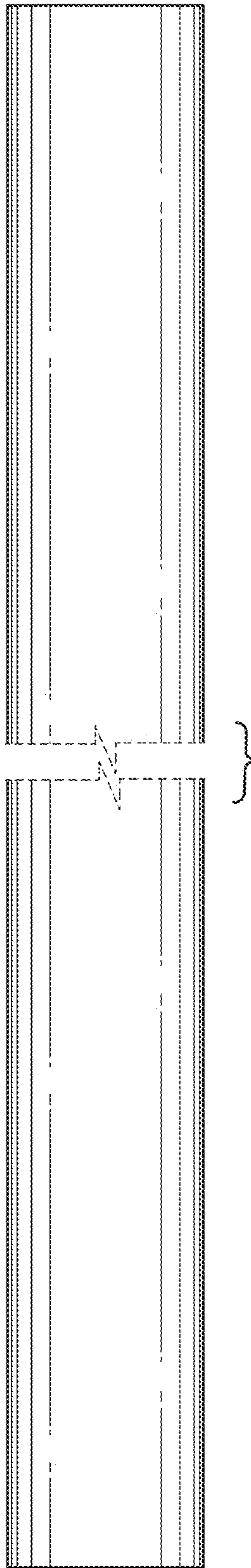


FIG. 4