



US00D871316S

(12) **United States Design Patent**
Yasunaga

(10) **Patent No.:** **US D871,316 S**

(45) **Date of Patent:** **** *Dec. 31, 2019**

(54) **TIRE**
(71) Applicant: **TOYO TIRE & RUBBER CO., LTD.**,
Itami-shi, Hyogo (JP)
(72) Inventor: **Toshikazu Yasunaga**, Itami (JP)

D764,391 S * 8/2016 Shen D12/584
D764,392 S * 8/2016 Fu D12/585
D780,099 S * 2/2017 Parr D12/584
D782,964 S * 4/2017 Fursthos D12/584
D788,024 S * 5/2017 Chen D12/584
D788,691 S * 6/2017 Tian D12/584
D811,991 S * 3/2018 Yasunaga D12/583

(73) Assignee: **TOYO TIRE & RUBBER CO., LTD.**,
Itami-shi (JP)

FOREIGN PATENT DOCUMENTS

(*) Notice: This patent is subject to a terminal disclaimer.

JP 1527964 S 6/2016
JP 1565677 12/2016

* cited by examiner

(**) Term: **15 Years**

Primary Examiner — Robert M. Spear

(21) Appl. No.: **29/637,818**

(74) *Attorney, Agent, or Firm* — Sterne, Kessler,
Goldstein & Fox P.L.L.C.

(22) Filed: **Feb. 22, 2018**

(57) **CLAIM**

(30) **Foreign Application Priority Data**

The ornamental design for a tire, as shown and described.

Aug. 28, 2017 (JP) 2017-018410

(51) **LOC (12) Cl.** **12-15**

DESCRIPTION

(52) **U.S. Cl.**
USPC **D12/583**

(58) **Field of Classification Search**
USPC D12/547, 548, 549, 550, 582, 583, 584,
D12/585, 586, 587, 589
CPC B60C 11/0302; B60C 11/0306; B60C
2011/0313; B60C 2011/0344; B60C
2011/0346
See application file for complete search history.

FIG. 1 is a front perspective view of a tire showing the claimed design;
FIG. 2 is a front view thereof, the rear view being the same;
FIG. 3 is a top plan view thereof;
FIG. 4 is a bottom plan view thereof;
FIG. 5 is a right side view thereof, the left side view being the same;
FIG. 6 is an enlarged view taken along line 6-6 in FIG. 1;
FIG. 7 is an enlarged view of the portion 7-7 in FIG. 2; and,
FIG. 8 is a cross-sectional view taken along line 8-8 in FIG. 7.

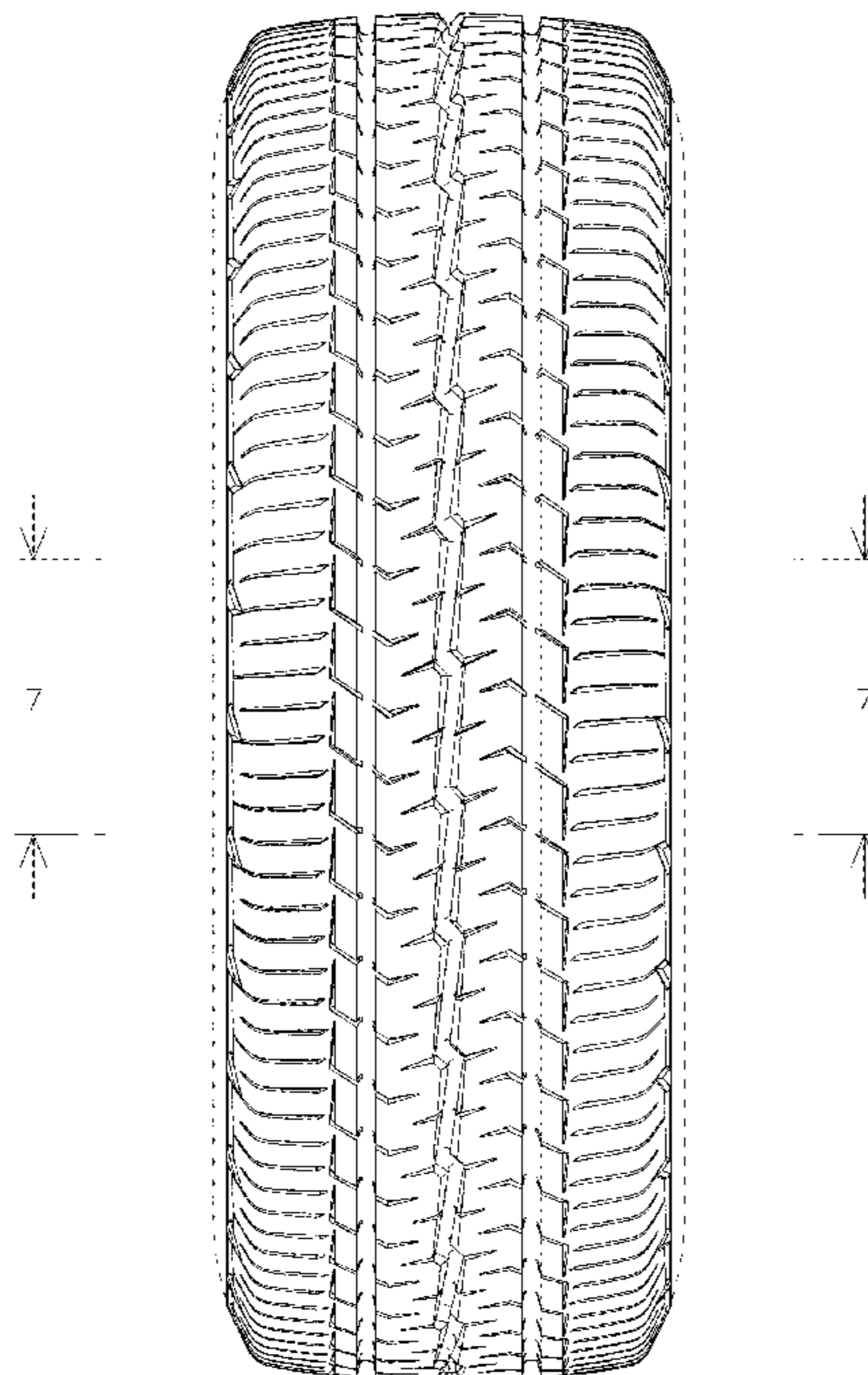
(56) **References Cited**

U.S. PATENT DOCUMENTS

In the drawings, the broken lines show portions of the tire that form no part of the claimed design.

D641,685 S * 7/2011 Youn D12/584
D730,812 S * 6/2015 Kato D12/582

1 Claim, 8 Drawing Sheets



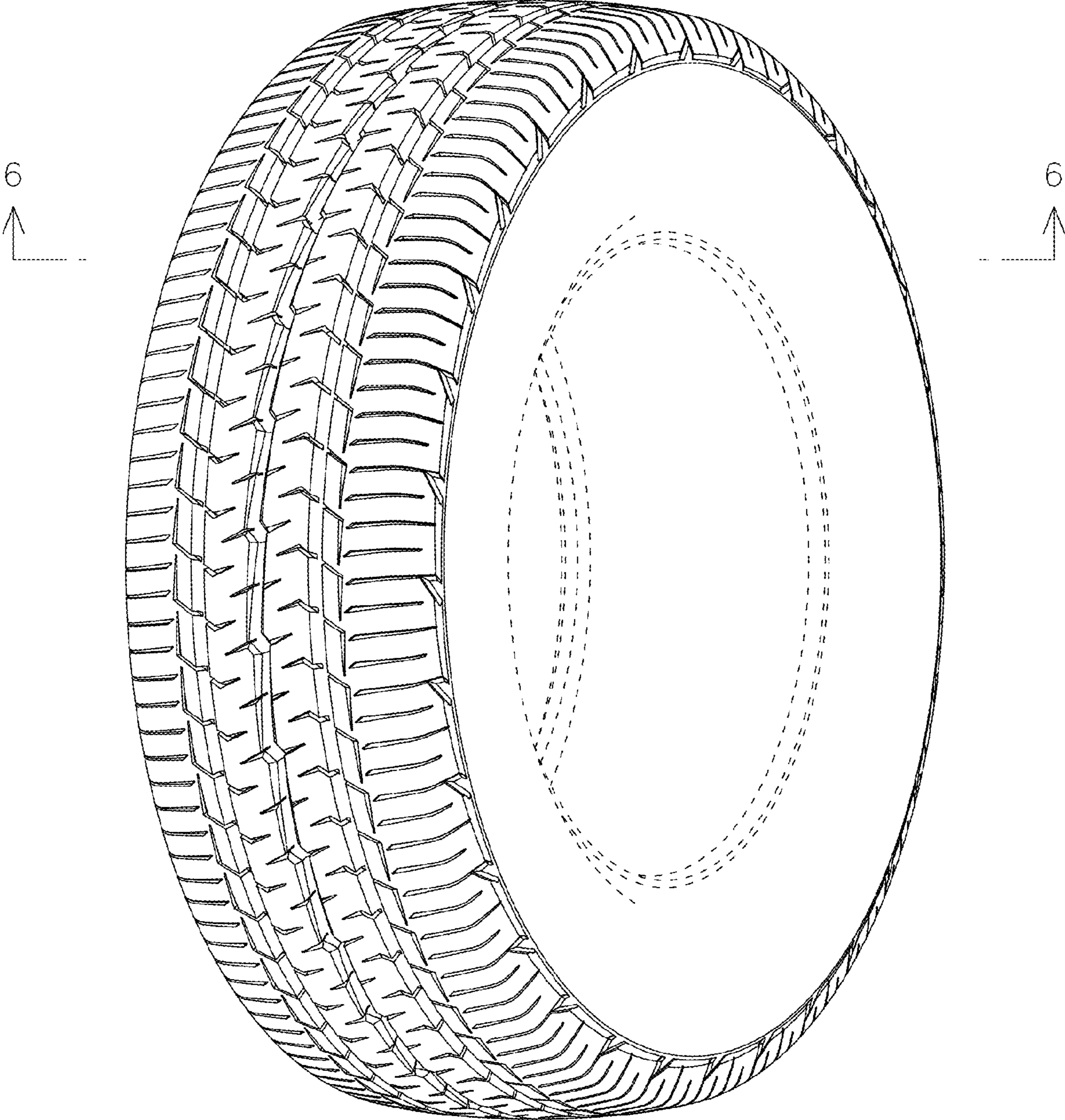


FIG. 1

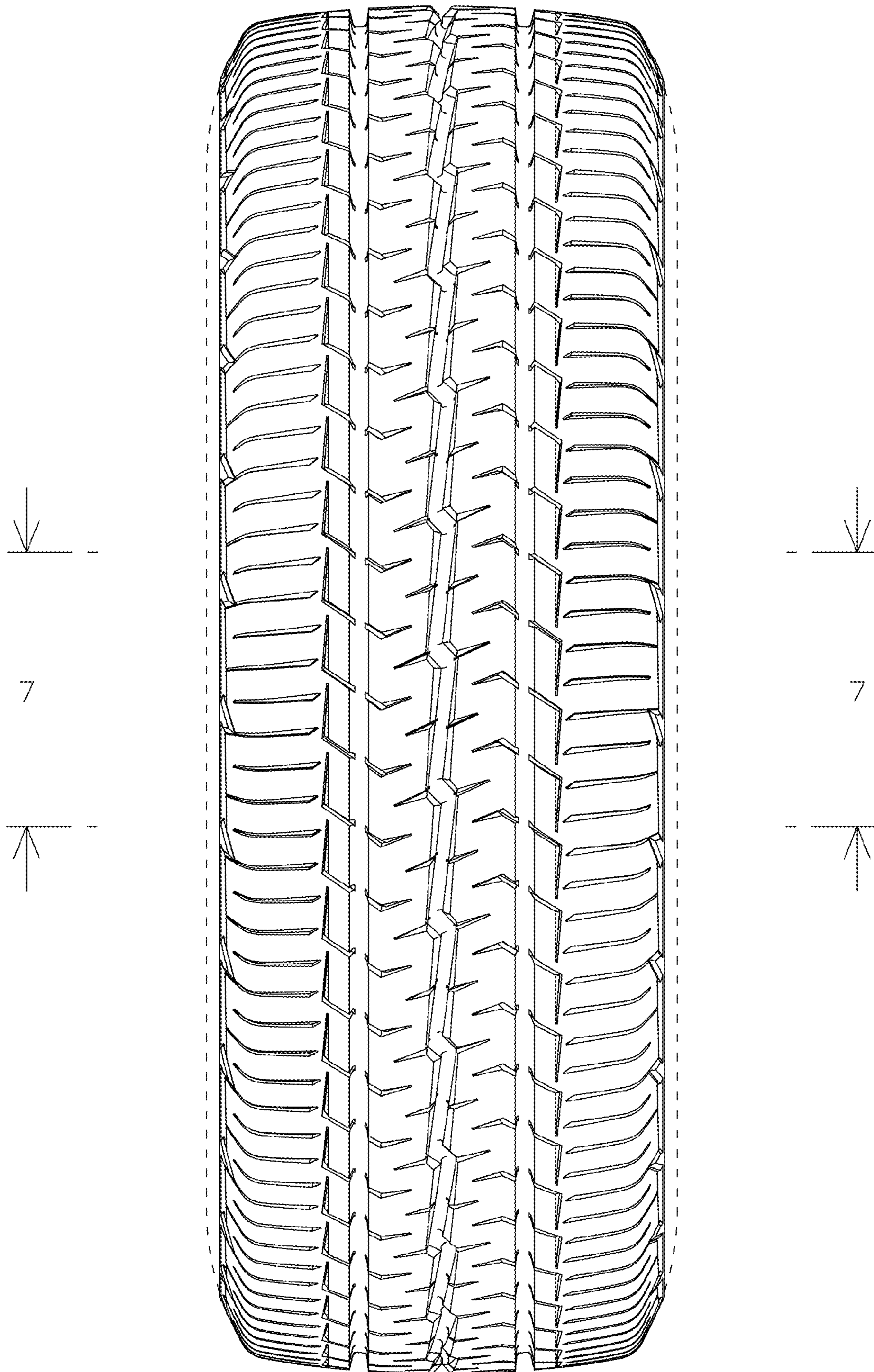


FIG. 2

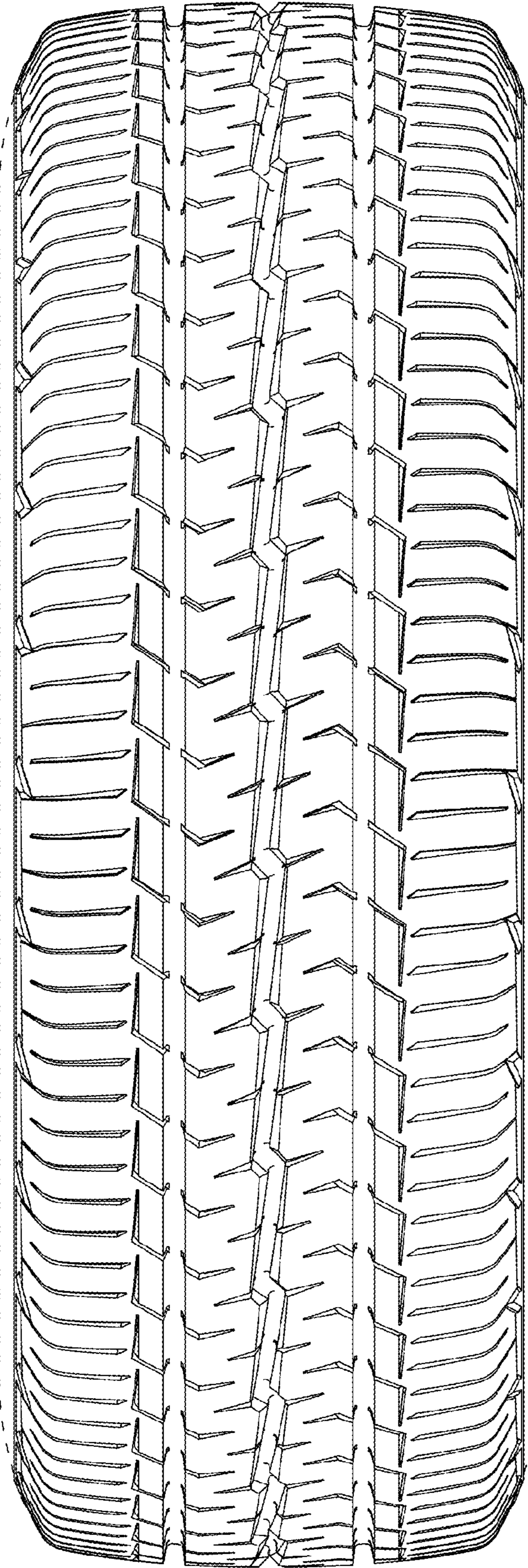


FIG. 3

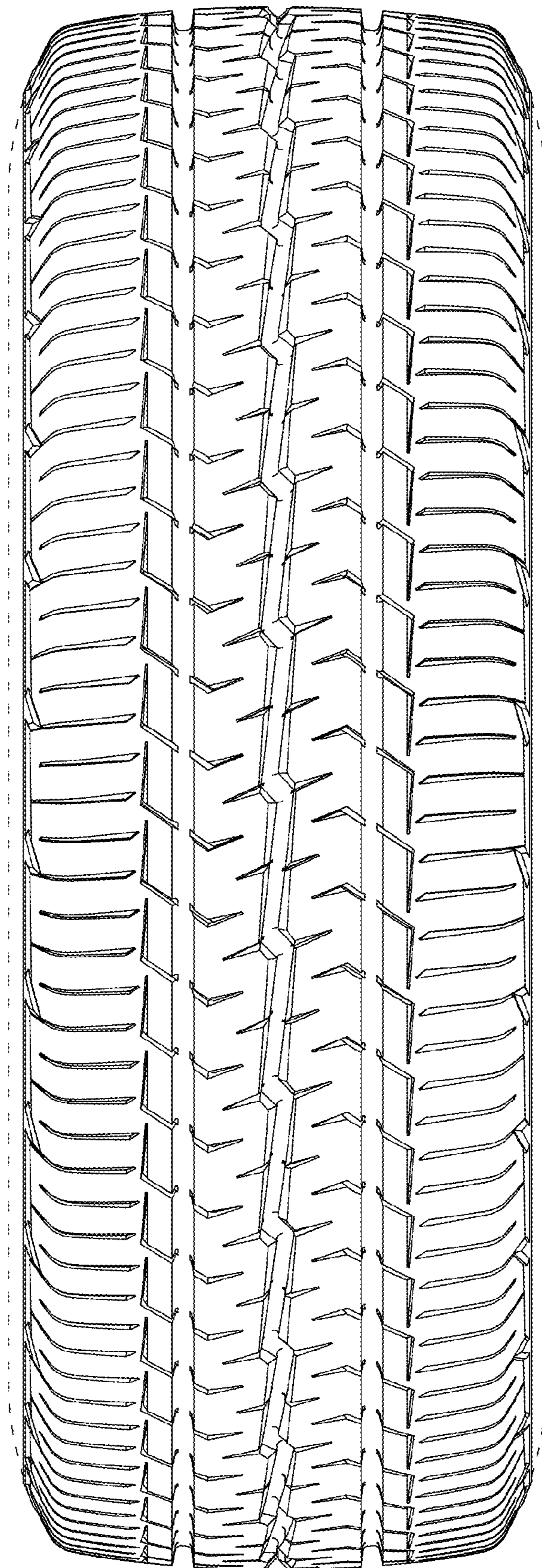


FIG. 4

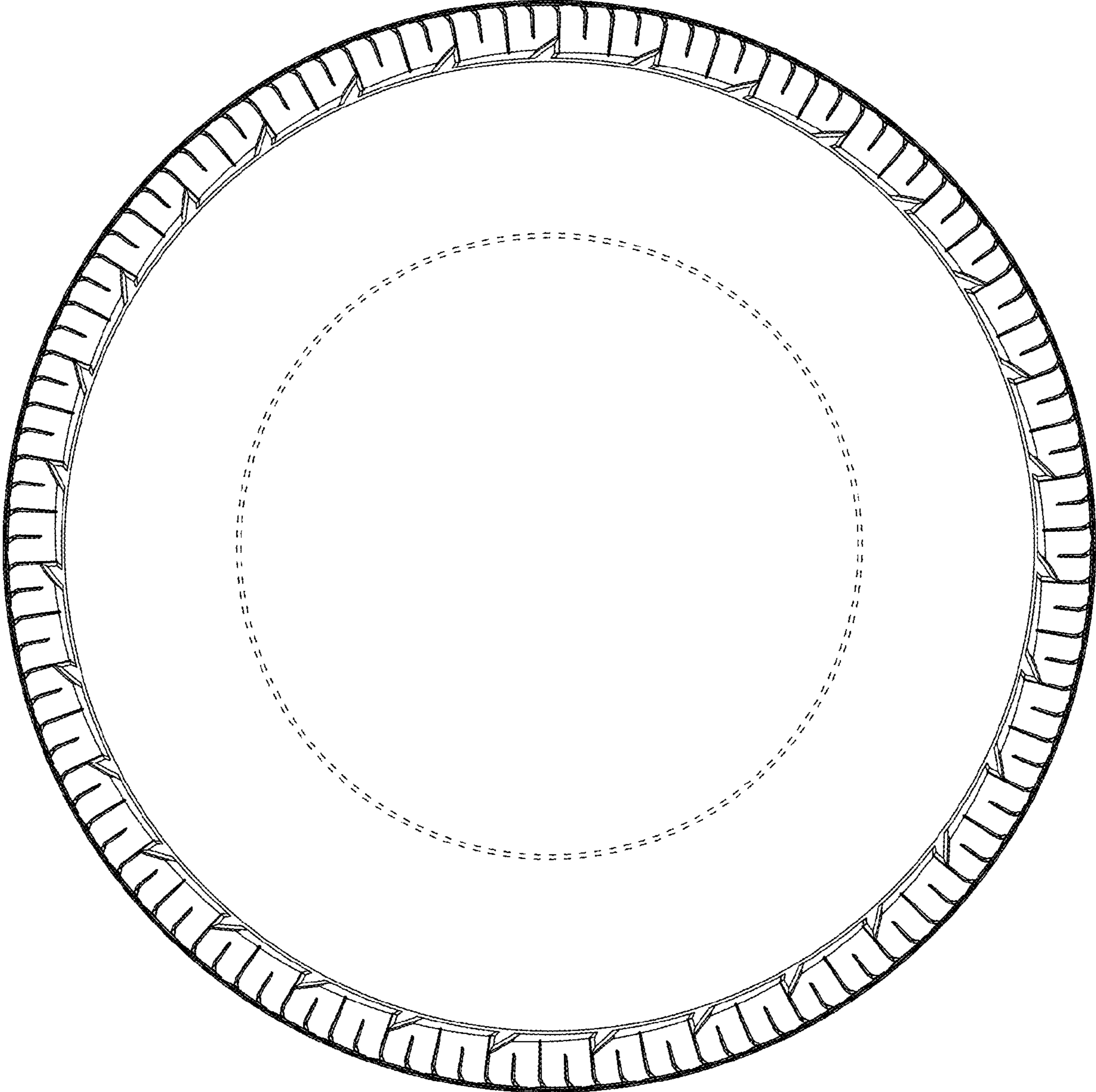


FIG. 5

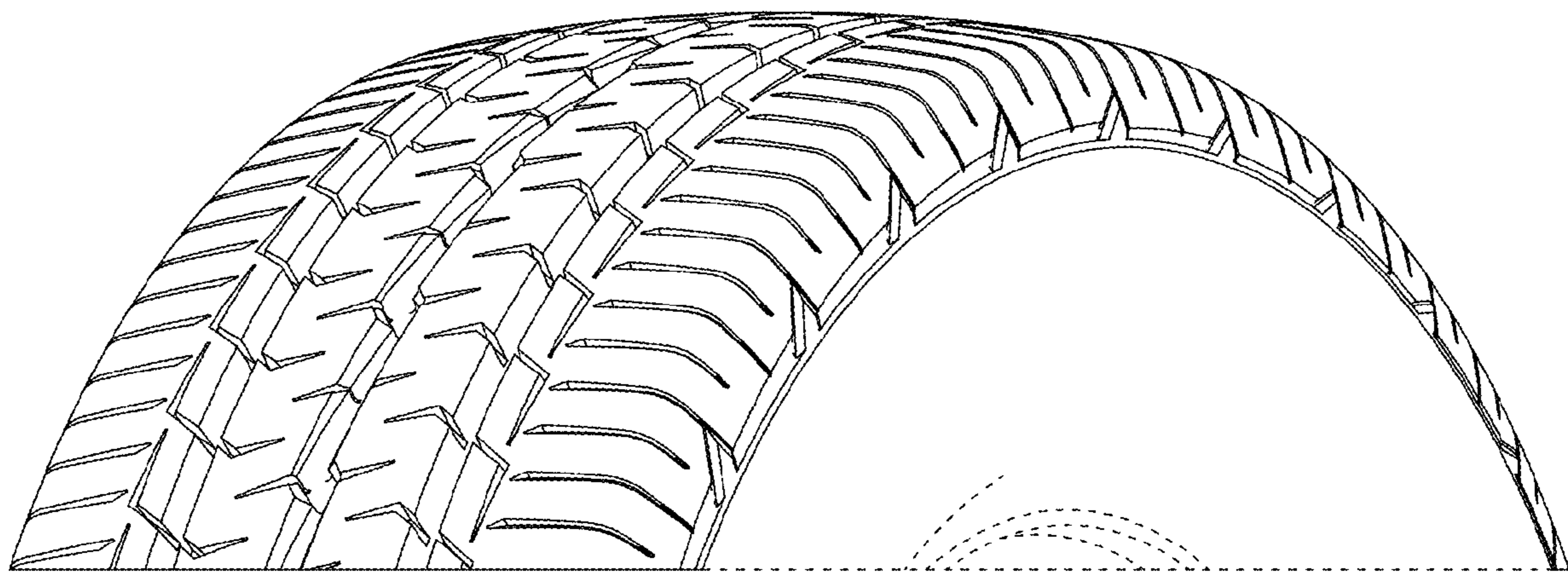


FIG. 6

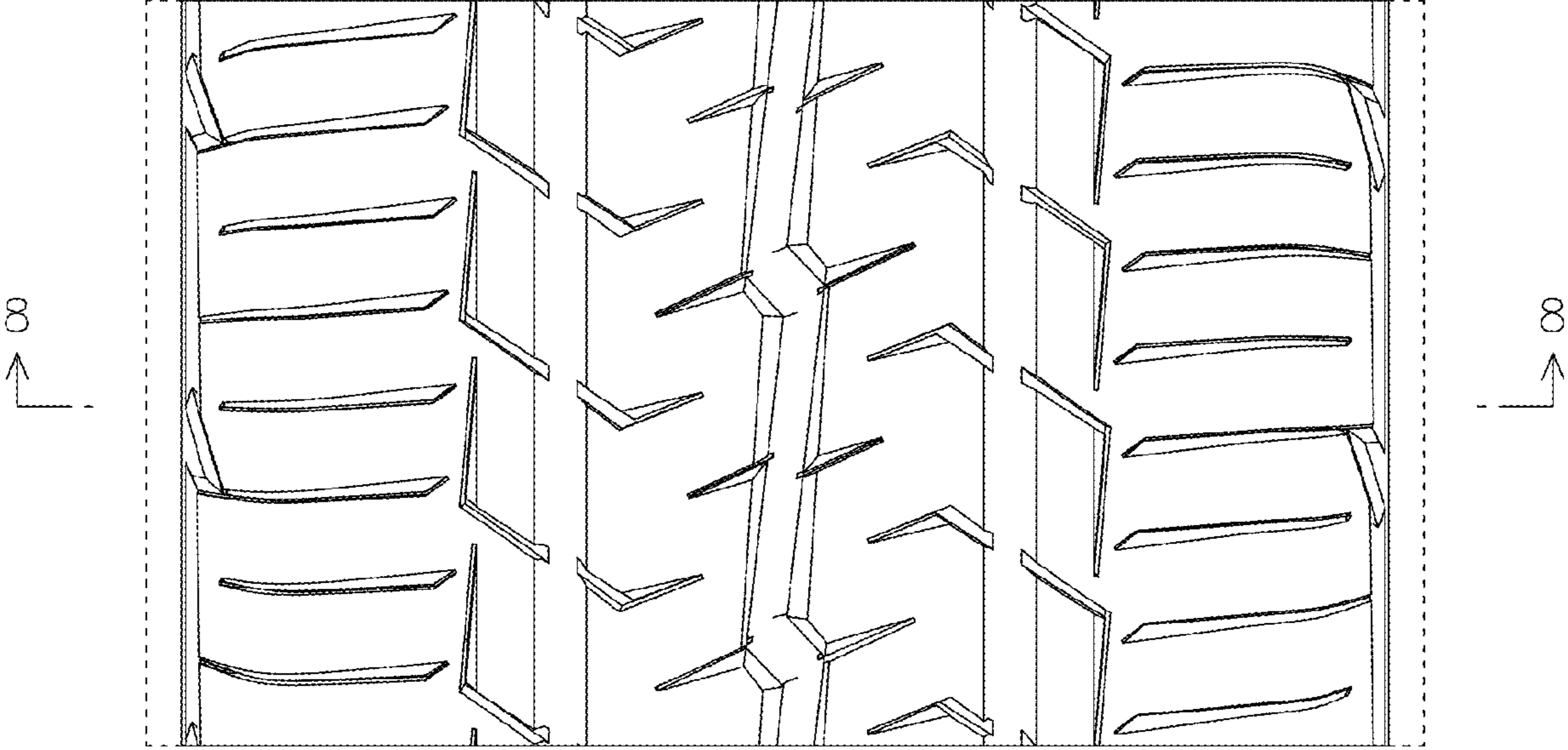


FIG. 7

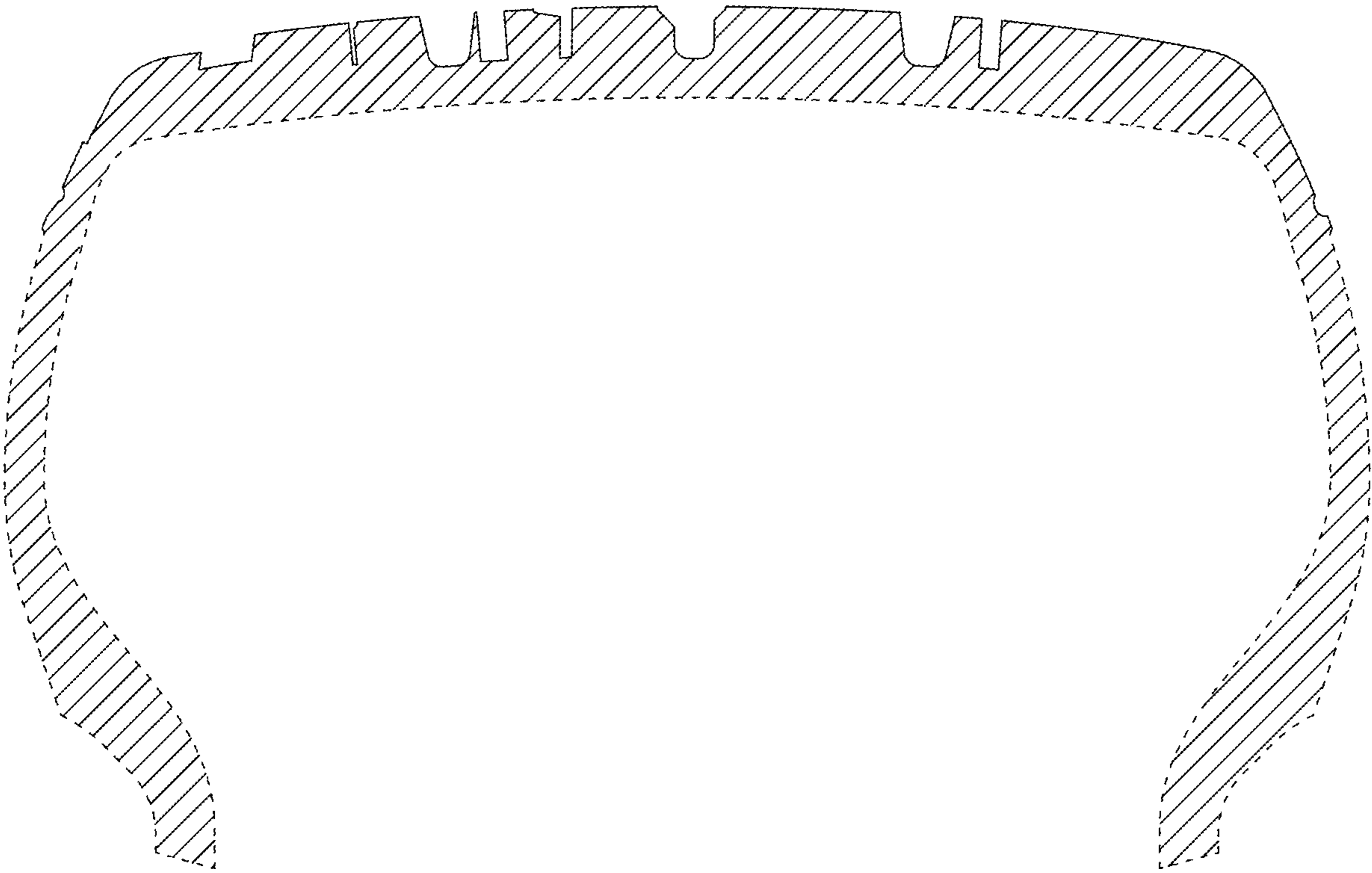


FIG. 8