



US00D871313S

(12) **United States Design Patent**
Miyazaki et al.

(10) **Patent No.:** **US D871,313 S**

(45) **Date of Patent:** **** Dec. 31, 2019**

(54) **TIRE**

(71) Applicant: **TOYO TIRE & RUBBER CO., LTD.**,
Itami-shi, Hyogo (JP)

(72) Inventors: **Tetsuji Miyazaki**, Itami (JP); **Yoshiki Sato**, Itami (JP)

(73) Assignee: **TOYO TIRE & RUBBER CO., LTD.**,
Itami-shi (JP)

(**) Term: **15 Years**

(21) Appl. No.: **29/664,069**

(22) Filed: **Sep. 21, 2018**

(30) **Foreign Application Priority Data**

Mar. 26, 2018 (JP) 2018-006305

(51) **LOC (12) Cl.** **12-15**

(52) **U.S. Cl.**
USPC **D12/523**

(58) **Field of Classification Search**
USPC D12/500-532, 604
CPC Y10T 152/10027; B60C 1/0016; B60C
11/0306; B60C 11/0302; B60C 3/06;
B60C 9/17
See application file for complete search history.

(56) **References Cited**

U.S. PATENT DOCUMENTS

D600,192 S * 9/2009 Sato D12/521
D633,858 S * 3/2011 Sato D12/521
D667,358 S * 9/2012 Fontaine D12/518
D772,786 S * 11/2016 Morito D12/523

D779,409 S * 2/2017 Zhang D12/501
D794,539 S * 8/2017 Bindner D12/523
D853,314 S * 7/2019 Raatikainen D12/523

FOREIGN PATENT DOCUMENTS

JP 1049277 S 9/1999
JP 1177887 S 6/2003
JP 1237485 S 4/2005
JP 1600472 S 3/2018

* cited by examiner

Primary Examiner — Lakiya G Rogers

Assistant Examiner — John A Voytek

(74) *Attorney, Agent, or Firm* — Sterne, Kessler,
Goldstein & Fox P.L.L.C.

(57) **CLAIM**

The ornamental design for a tire, as shown and described.

DESCRIPTION

FIG. 1 is a front perspective view of a tire showing the claimed design;

FIG. 2 is a front view thereof;

FIG. 3 is a rear view thereof;

FIG. 4 is a top plan view thereof, the bottom plan view being the same;

FIG. 5 is a right side view thereof;

FIG. 6 is a left side view thereof;

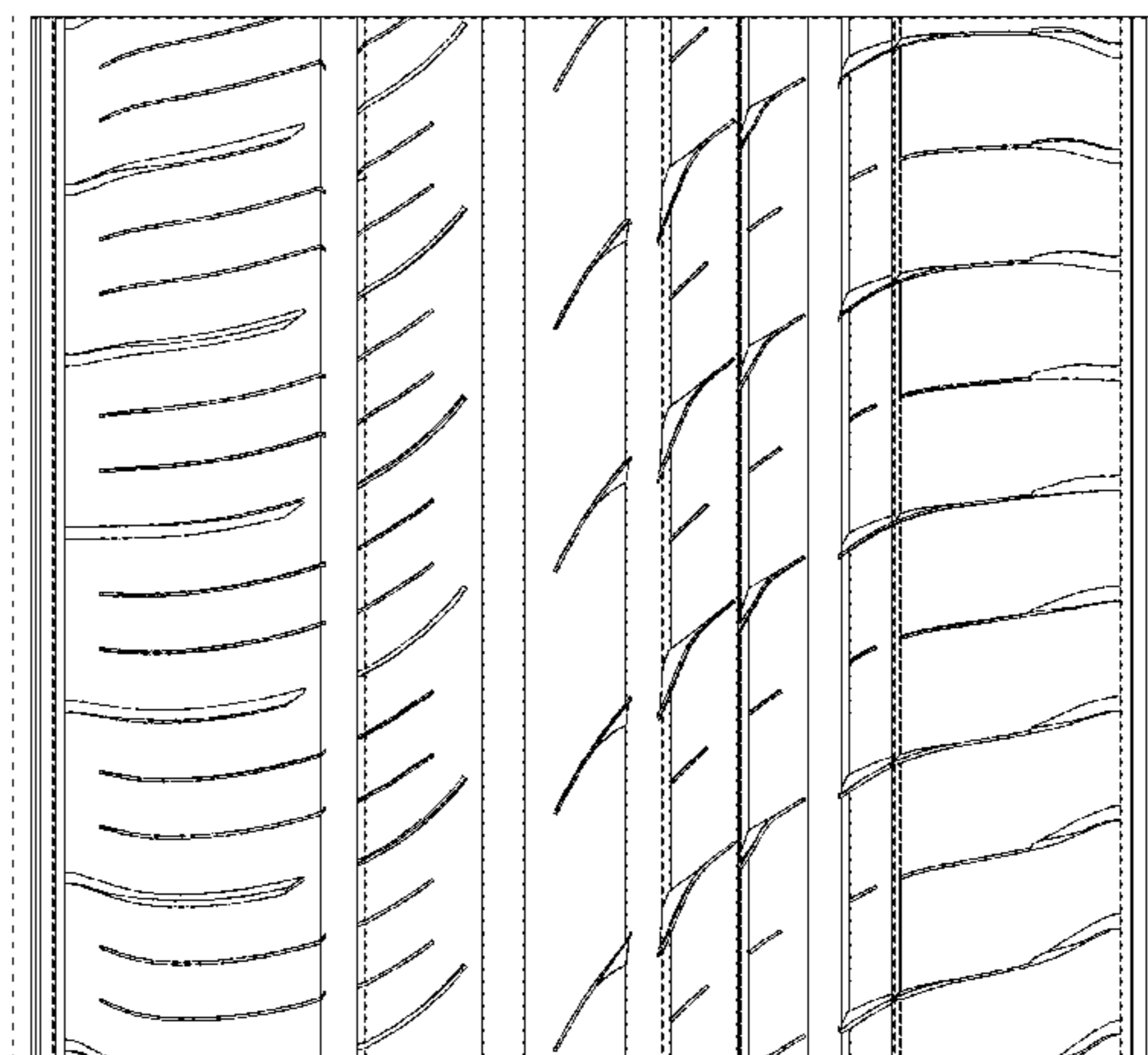
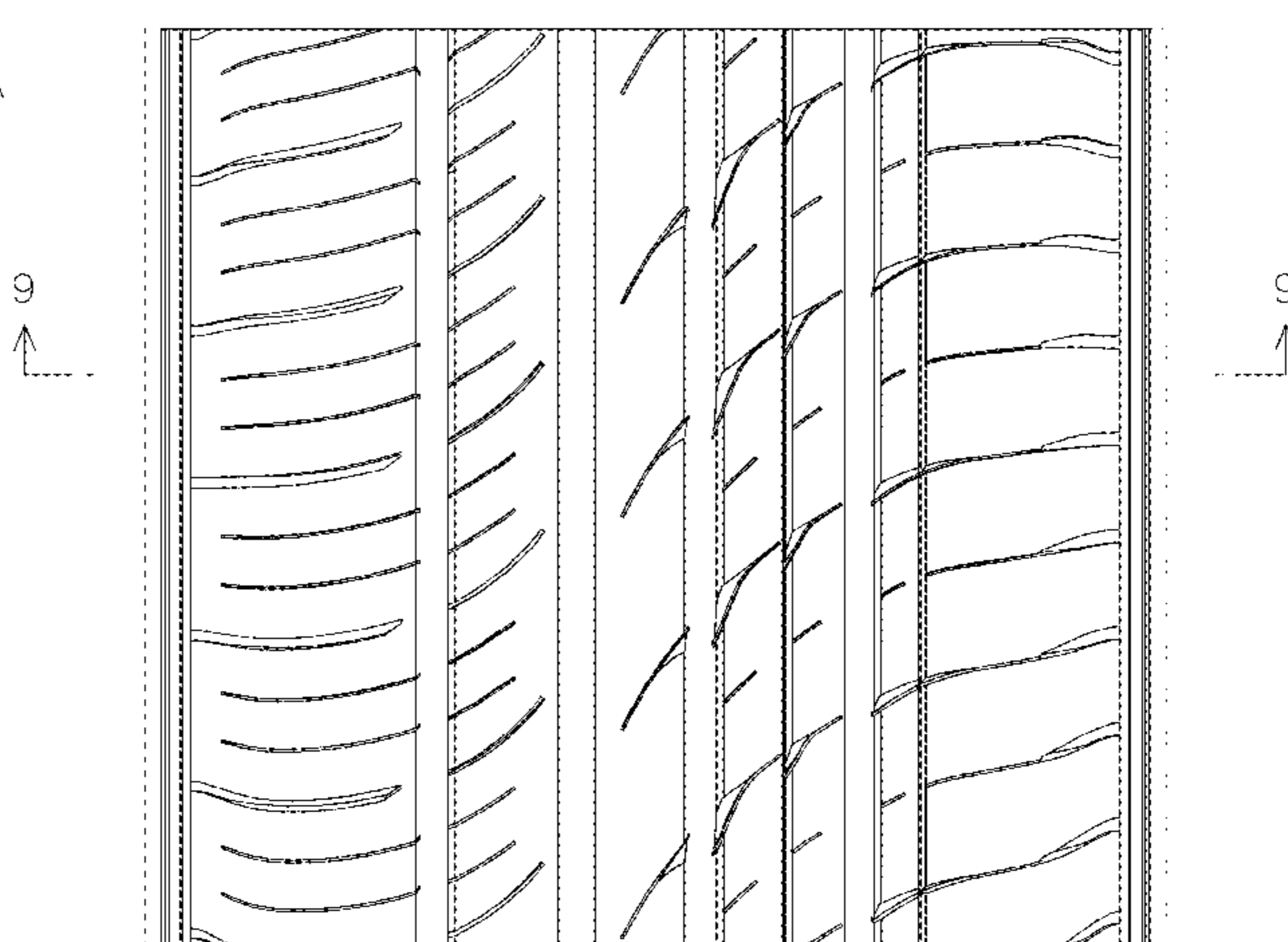
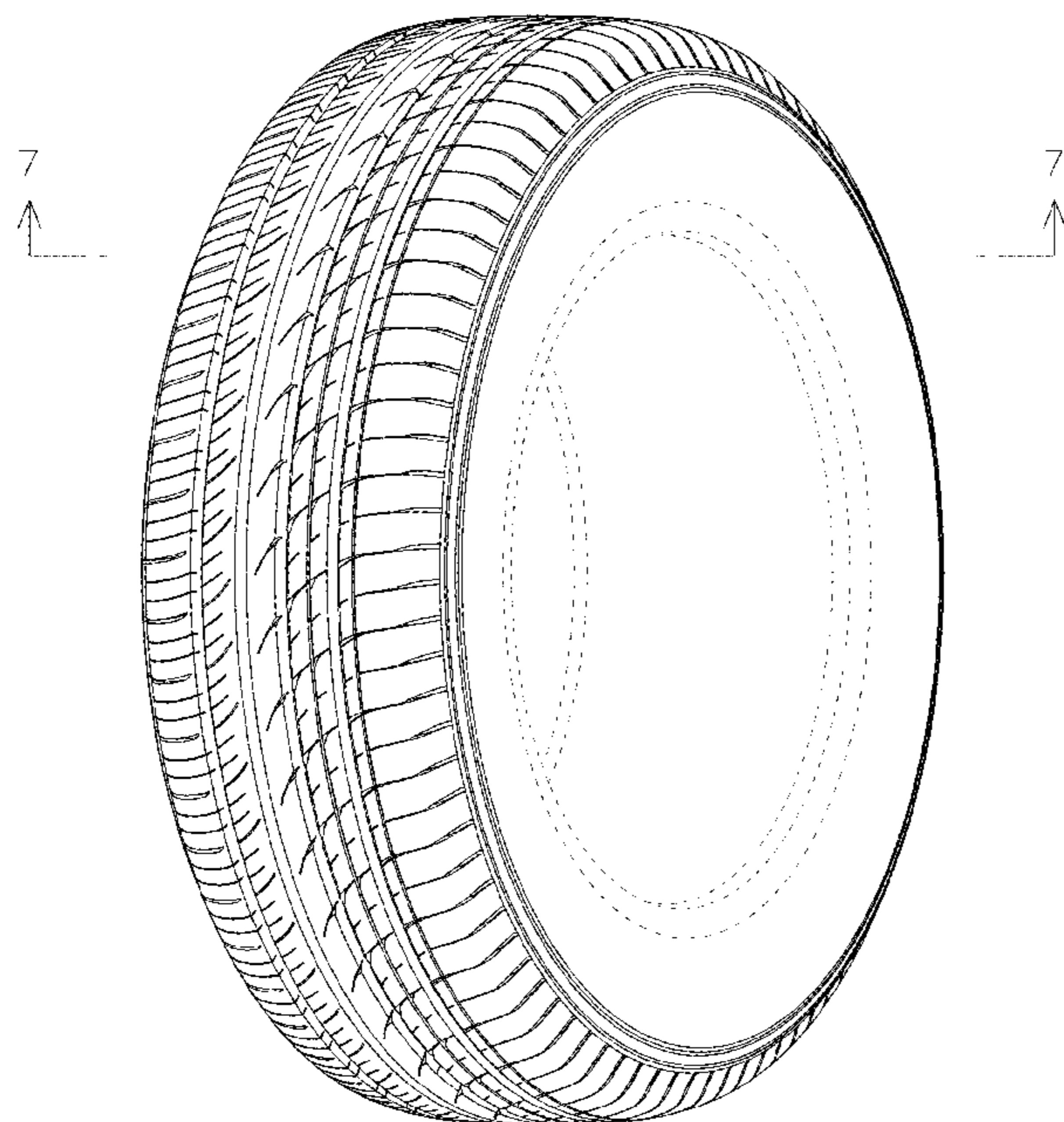
FIG. 7 is an enlarged view taken along line 7-7 in FIG. 1;

FIG. 8 is an enlarged view of the portion 8-8 in FIG. 2; and,

FIG. 9 is a cross-sectional view taken along line 9-9 in FIG. 8.

In the drawings, the broken lines show portions of the tire that form no part of the claimed design.

1 Claim, 9 Drawing Sheets



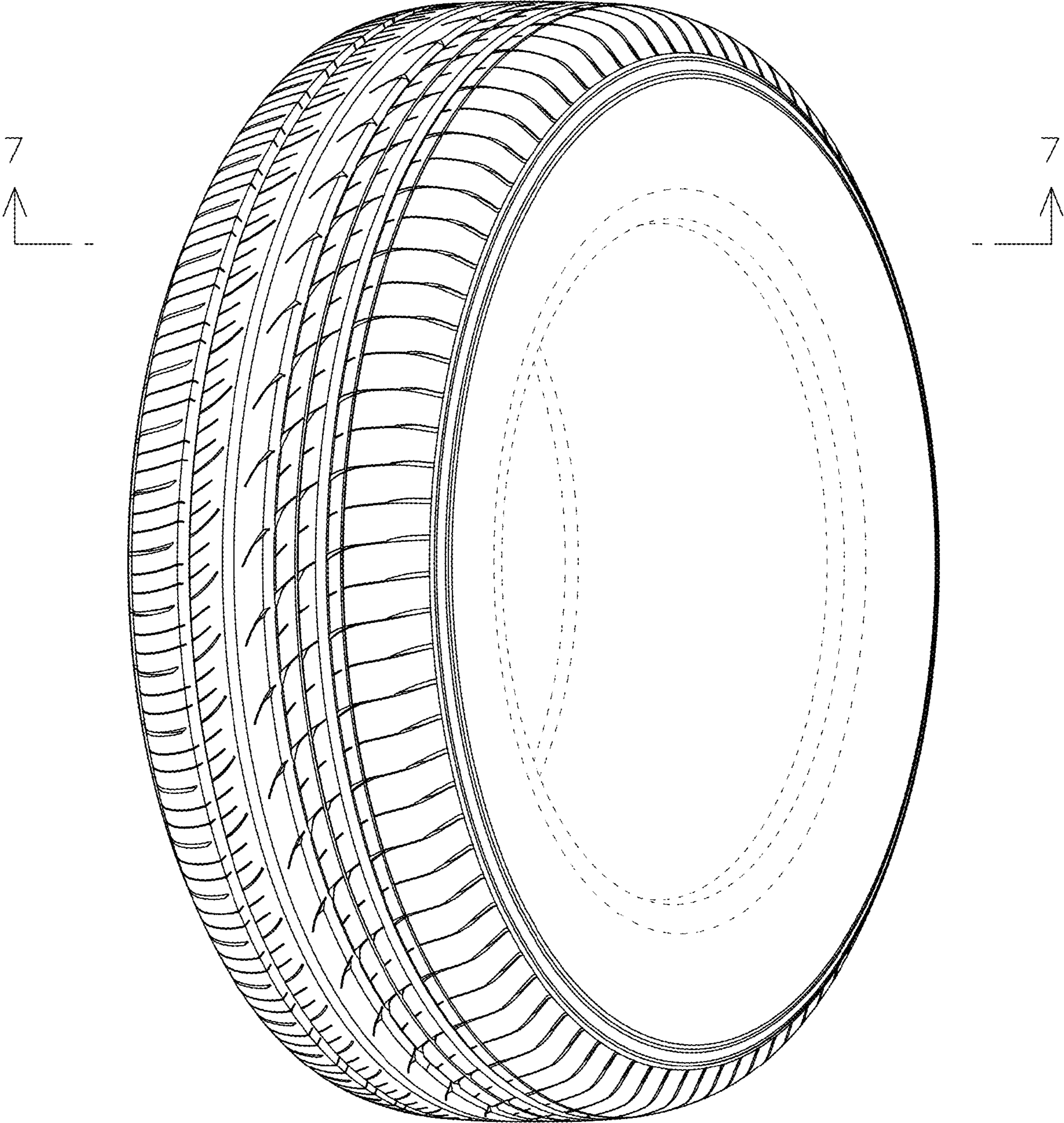


FIG. 1

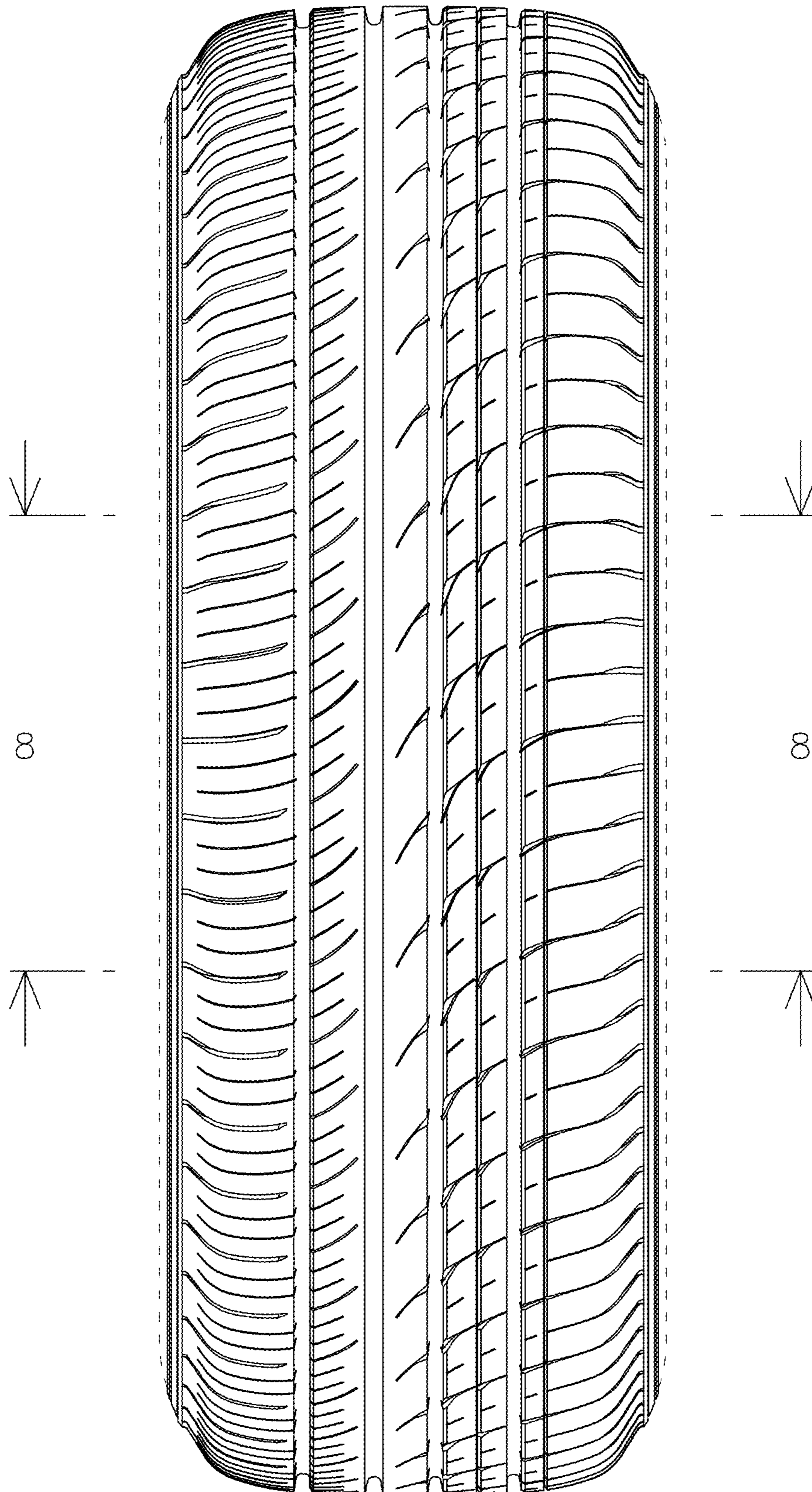


FIG. 2

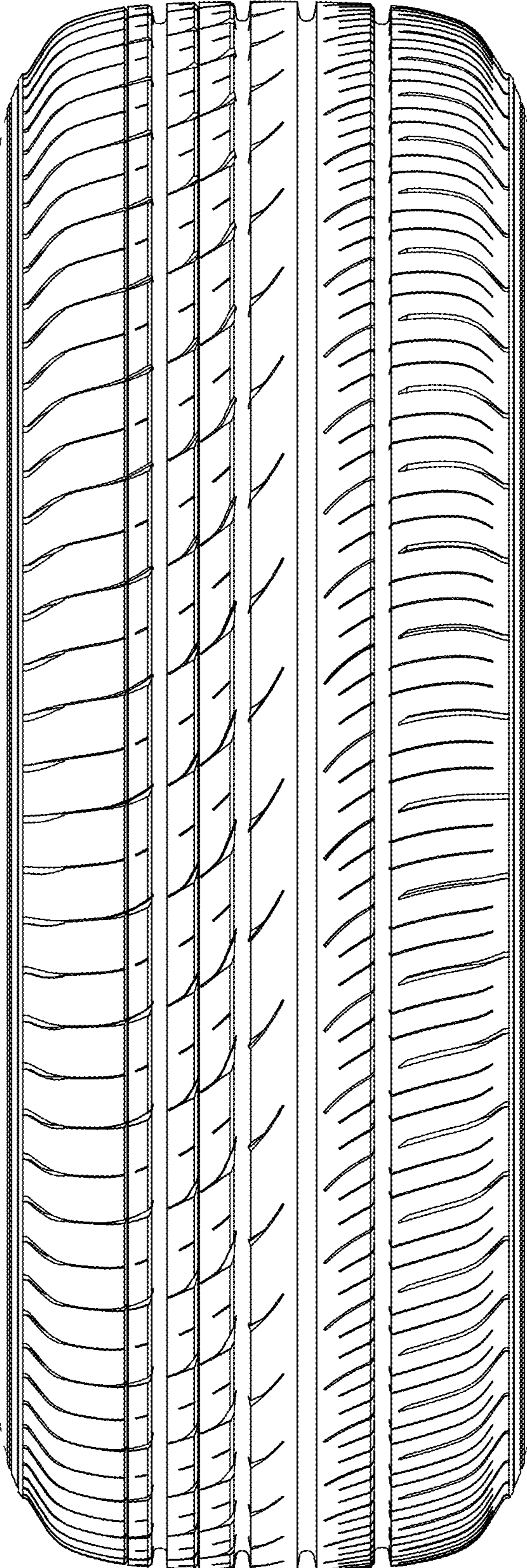


FIG. 3

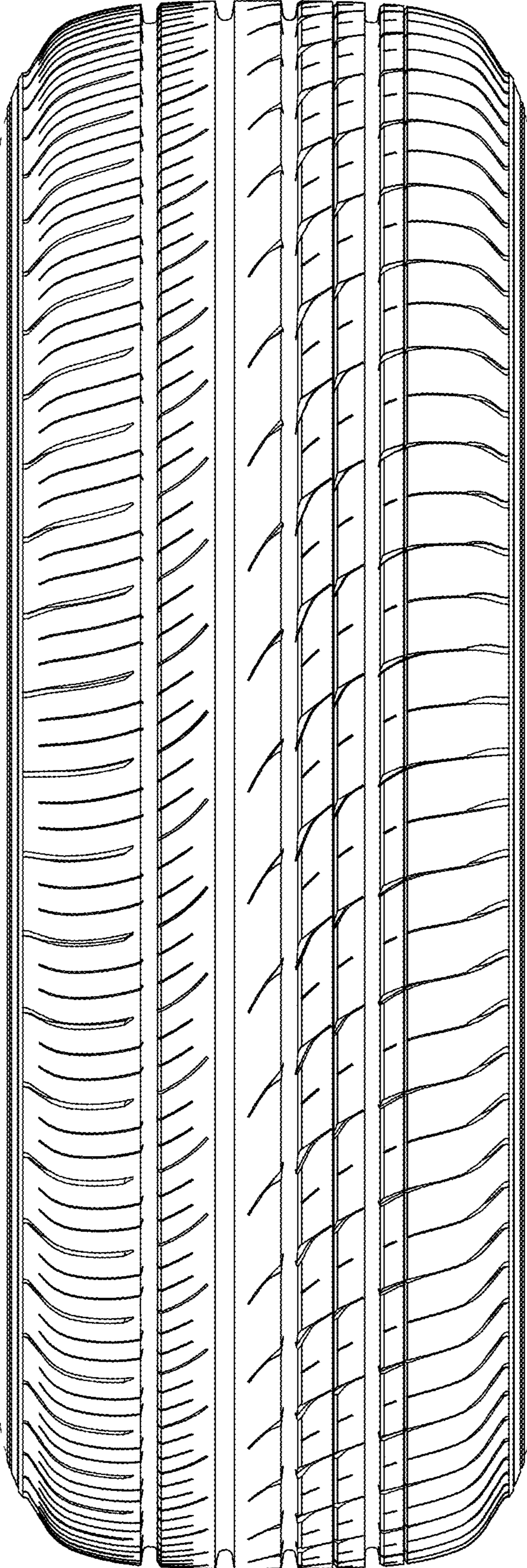


FIG. 4

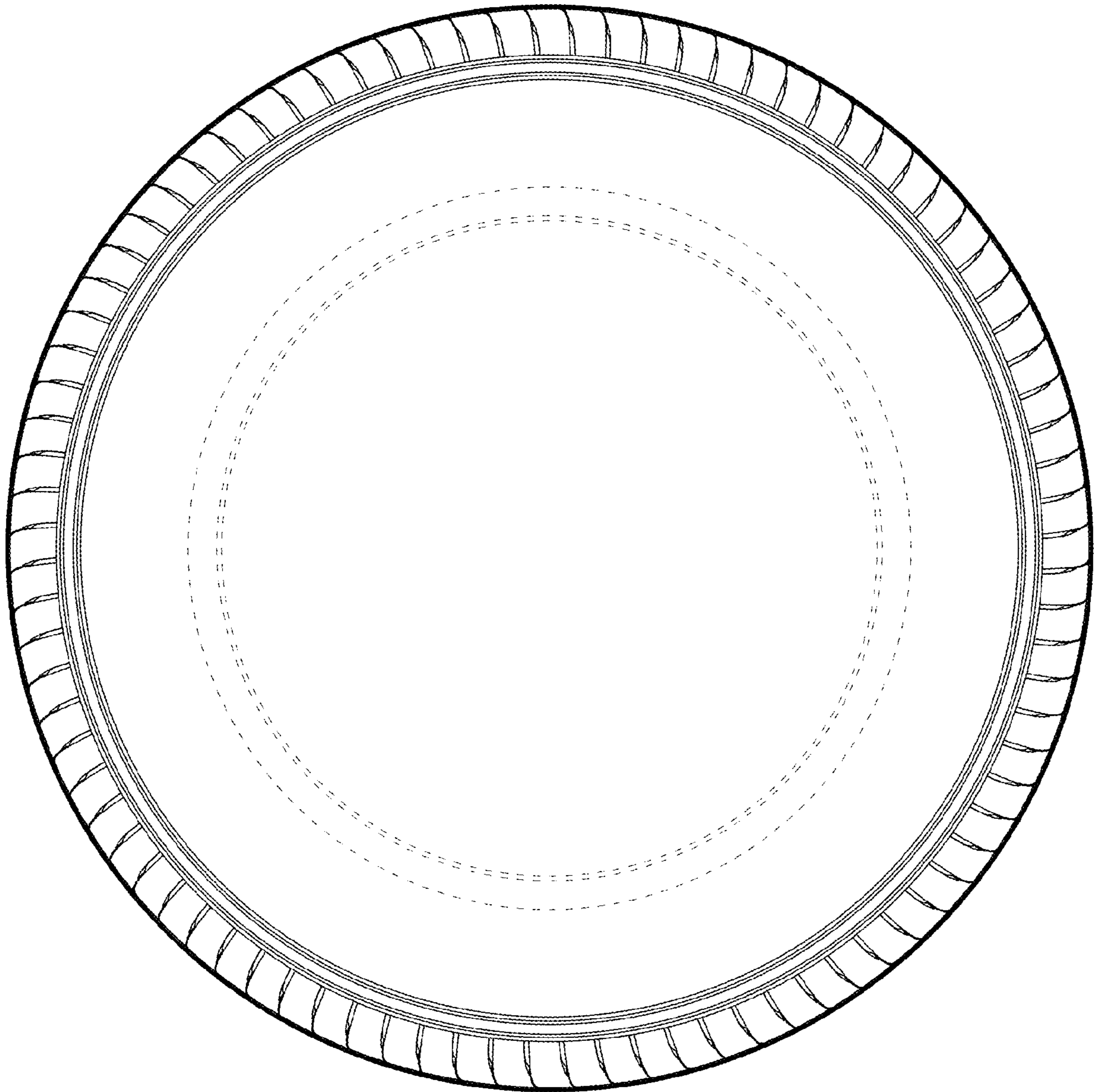


FIG. 5

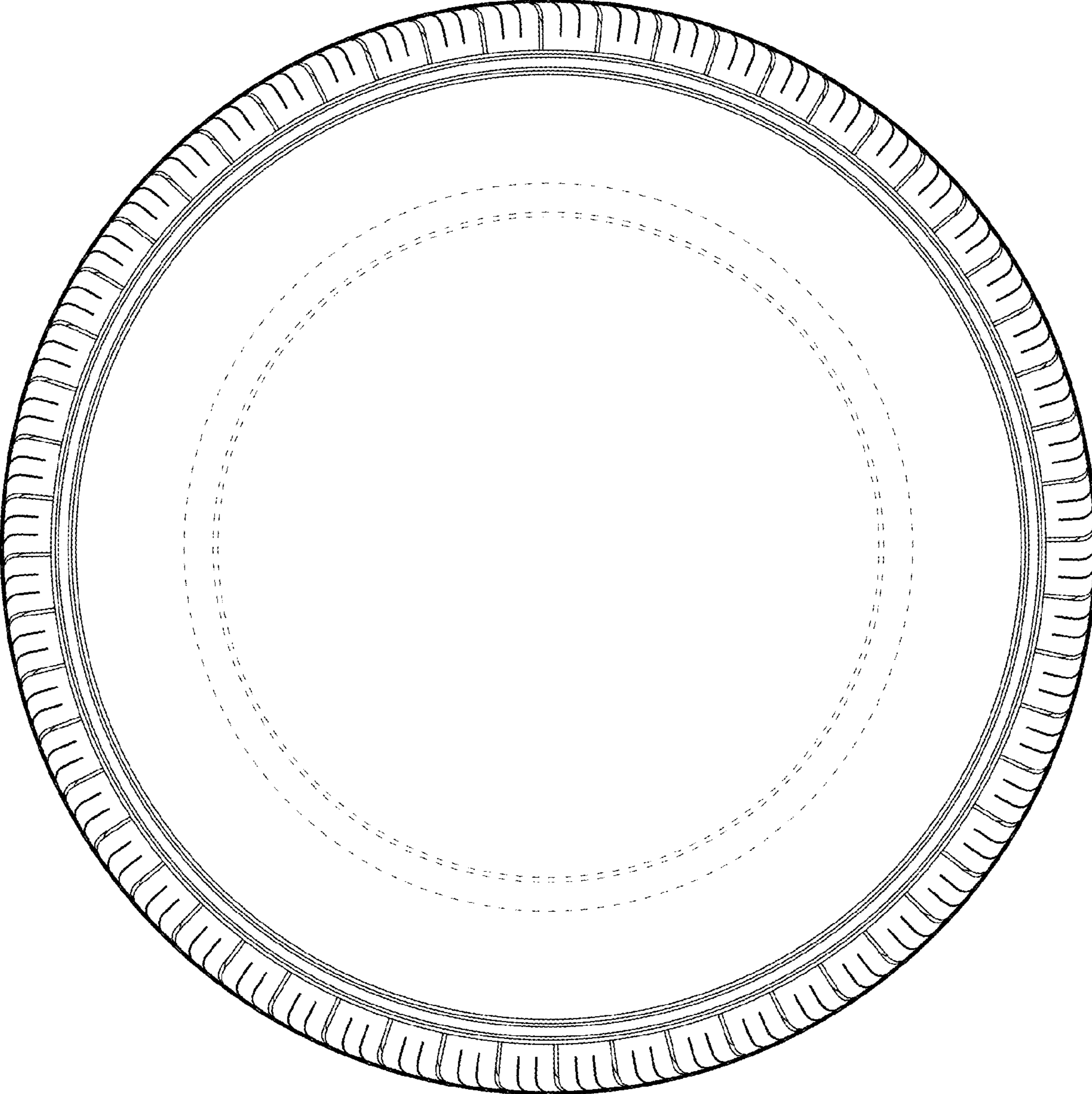


FIG. 6

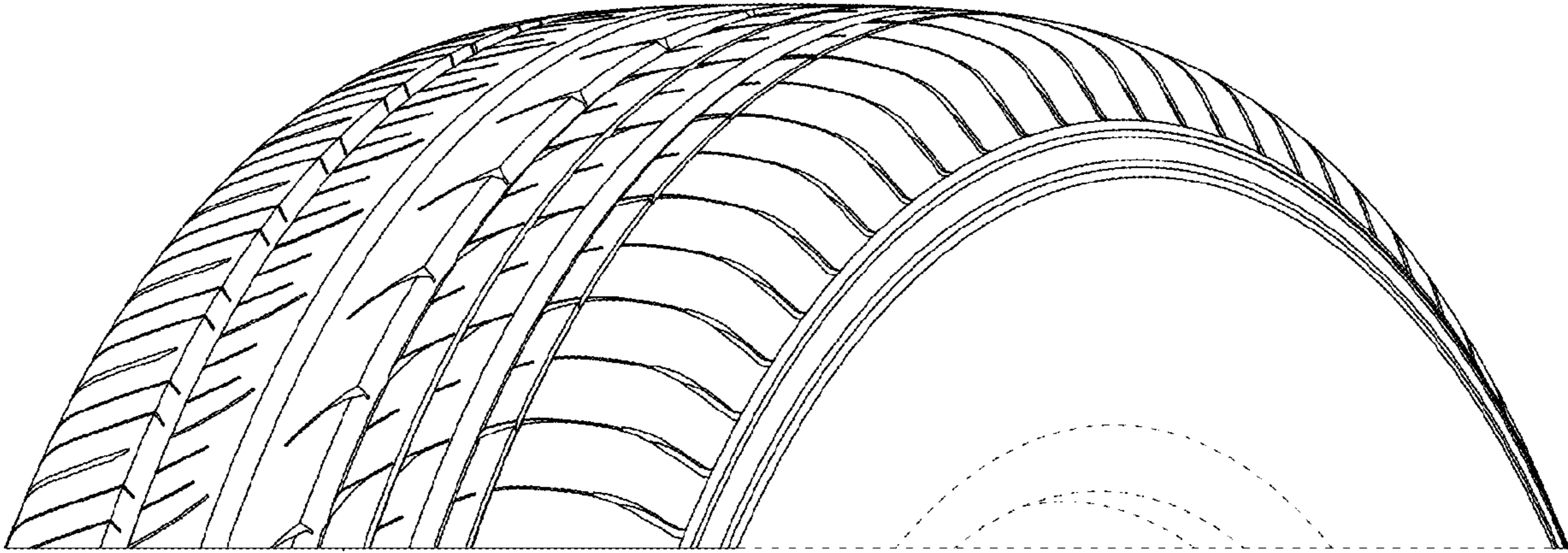


FIG. 7

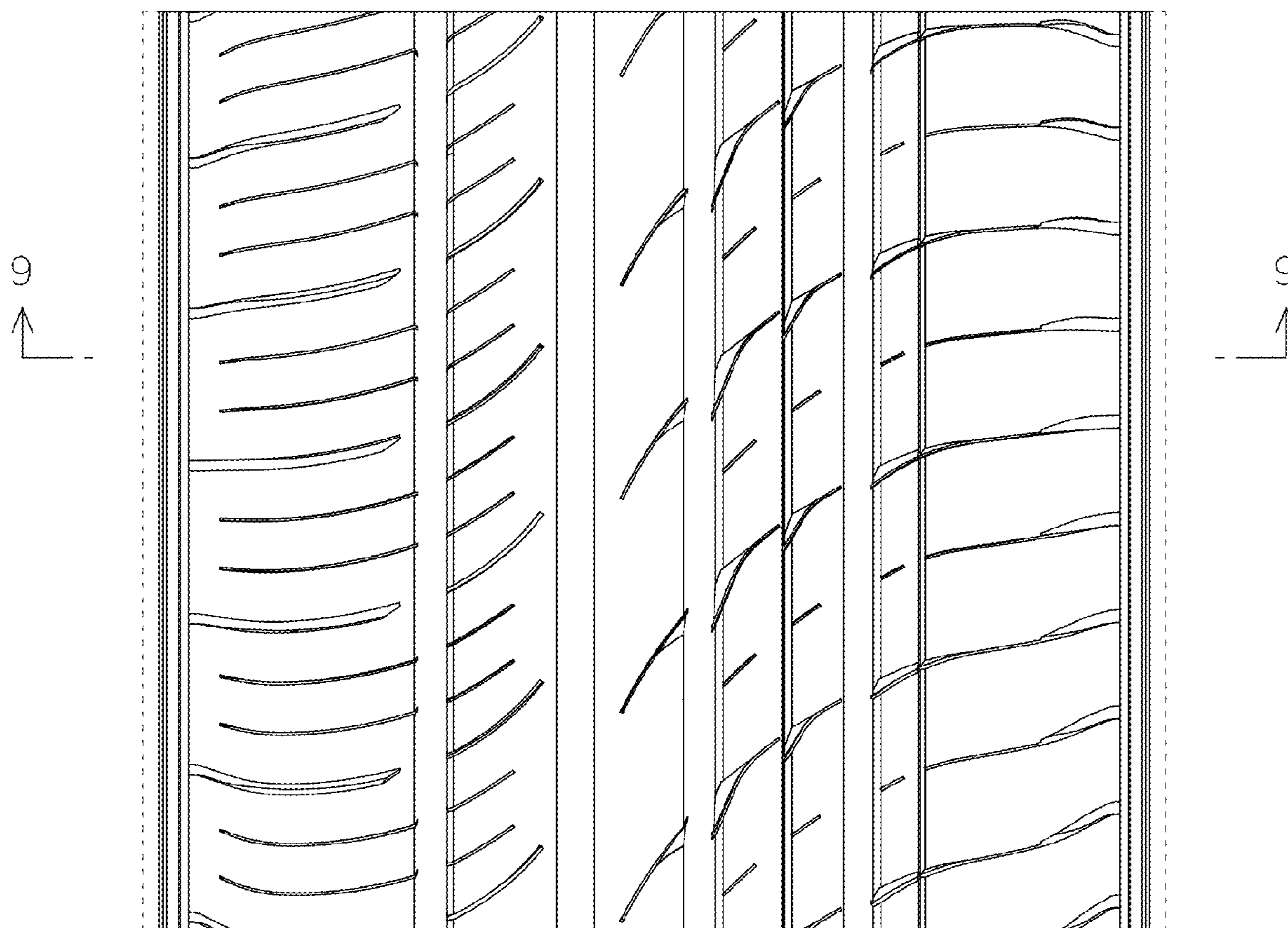


FIG. 8

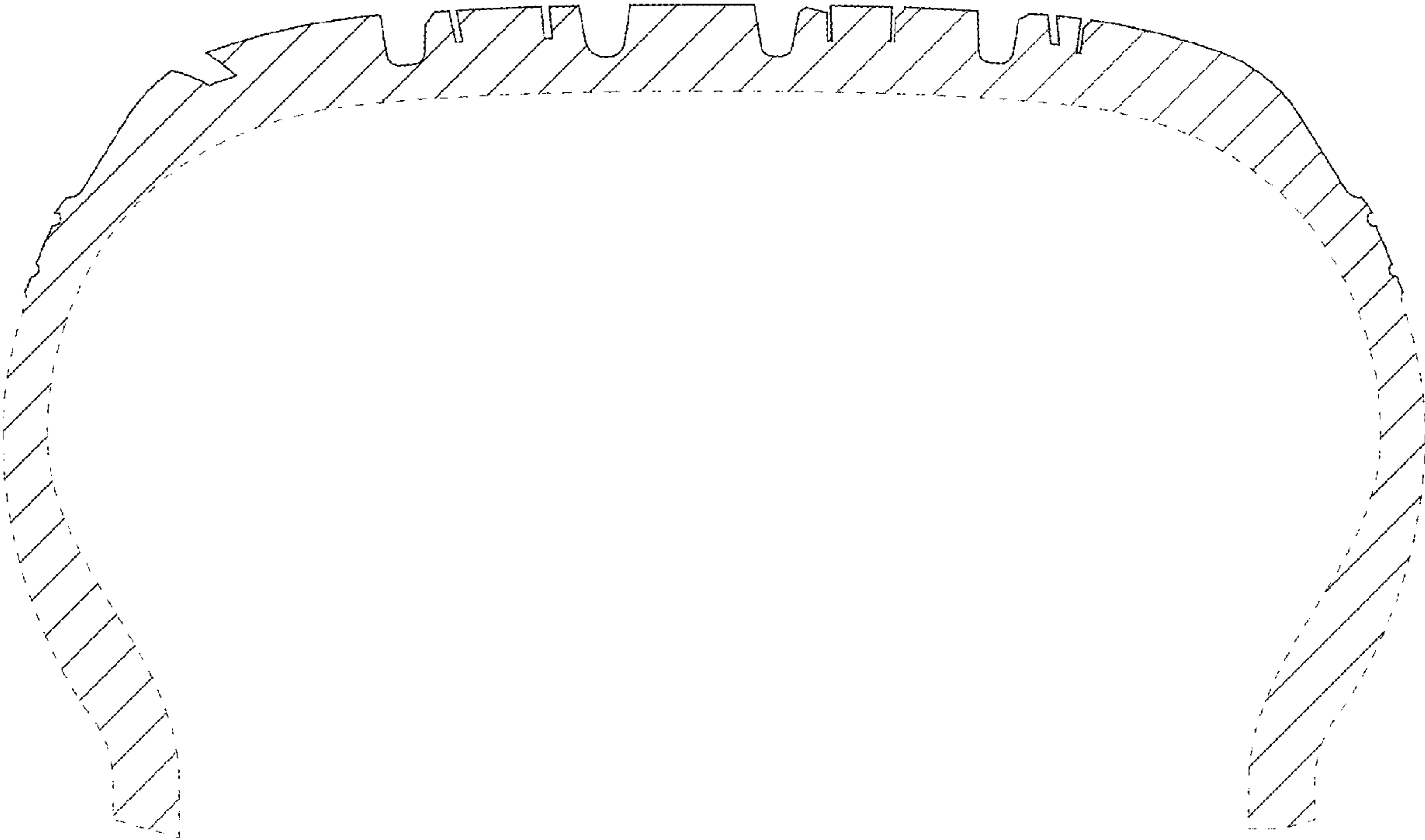


FIG. 9