



US00D871311S

(12) **United States Design Patent**  
**TenBrink et al.**

(10) **Patent No.:** **US D871,311 S**

(45) **Date of Patent:** **\*\* Dec. 31, 2019**

(54) **AGRICULTURAL MACHINE ARMREST CONTROL CONSOLE**

(71) Applicant: **CNH Industrial America LLC**, New Holland, PA (US)

(72) Inventors: **Scott TenBrink**, Waterford, WI (US);  
**Eric R. Holton**, Burr Ridge, IL (US);  
**Franz-Josef Silber**, Wels (AT);  
**Markus Putz**, Kuernberg (AT);  
**Dwayne St. George Jackson**, Lake Orion, MI (US)

(73) Assignee: **CNH Industrial America LLC**, New Holland, PA (US)

(\*\*) Term: **15 Years**

(21) Appl. No.: **29/640,609**

(22) Filed: **Mar. 15, 2018**

(51) **LOC (12) Cl.** ..... **12-16**

(52) **U.S. Cl.**  
USPC ..... **D12/415**

(58) **Field of Classification Search**  
USPC ..... D12/415-420, 400, 195, 191, 106, 345,  
D12/96, 99; D21/421; D7/619.1-625,  
D7/701  
CPC .... B60R 7/04; B60R 7/06; B60R 7/08; B60N  
2/46  
See application file for complete search history.

(56) **References Cited**

**U.S. PATENT DOCUMENTS**

D439,556 S	*	3/2001	Beigel	.....	D12/192
D448,720 S	*	10/2001	Nash	.....	D12/192
D459,288 S	*	6/2002	Tsay	.....	D12/415
D497,394 S	*	10/2004	Svanson	.....	D21/329
D538,737 S	*	3/2007	Scully	.....	D12/421
D581,861 S	*	12/2008	Anttila	.....	D12/421
D640,293 S	*	6/2011	Ono	.....	D15/28

D672,307 S	*	12/2012	von Holzhausen	.....	D12/415
D693,750 S	*	11/2013	Cheung	.....	D12/192
D693,751 S	*	11/2013	Ali	.....	D12/192
D711,810 S	*	8/2014	Matsuo	.....	D12/424
D725,581 S	*	3/2015	Ringer	.....	D12/415
D725,582 S	*	3/2015	Kobari	.....	D12/419
D725,583 S	*	3/2015	Seki	.....	D12/419
D760,845 S	*	7/2016	Plakas	.....	D14/451

(Continued)

**OTHER PUBLICATIONS**

Progress Edition: Ever-evolving technology in agriculture, MuscatineJournal.com, Paul Carroll, Mar. 27, 2016, [online], [site visited Mar. 4, 2019]. <URL: [https://muscatinejournal.com/news/local/muscatine/progress-edition-ever-evolving-technology-in-agriculture/article\\_5771de71-e8e8-5836-9ccb-23d811](https://muscatinejournal.com/news/local/muscatine/progress-edition-ever-evolving-technology-in-agriculture/article_5771de71-e8e8-5836-9ccb-23d811)> (Year: 2016).\*

(Continued)

*Primary Examiner* — T Chase Nelson

*Assistant Examiner* — Jonathan J. Han

(74) *Attorney, Agent, or Firm* — Rickard K. DeMille;  
Rebecca L. Henkel

(57) **CLAIM**

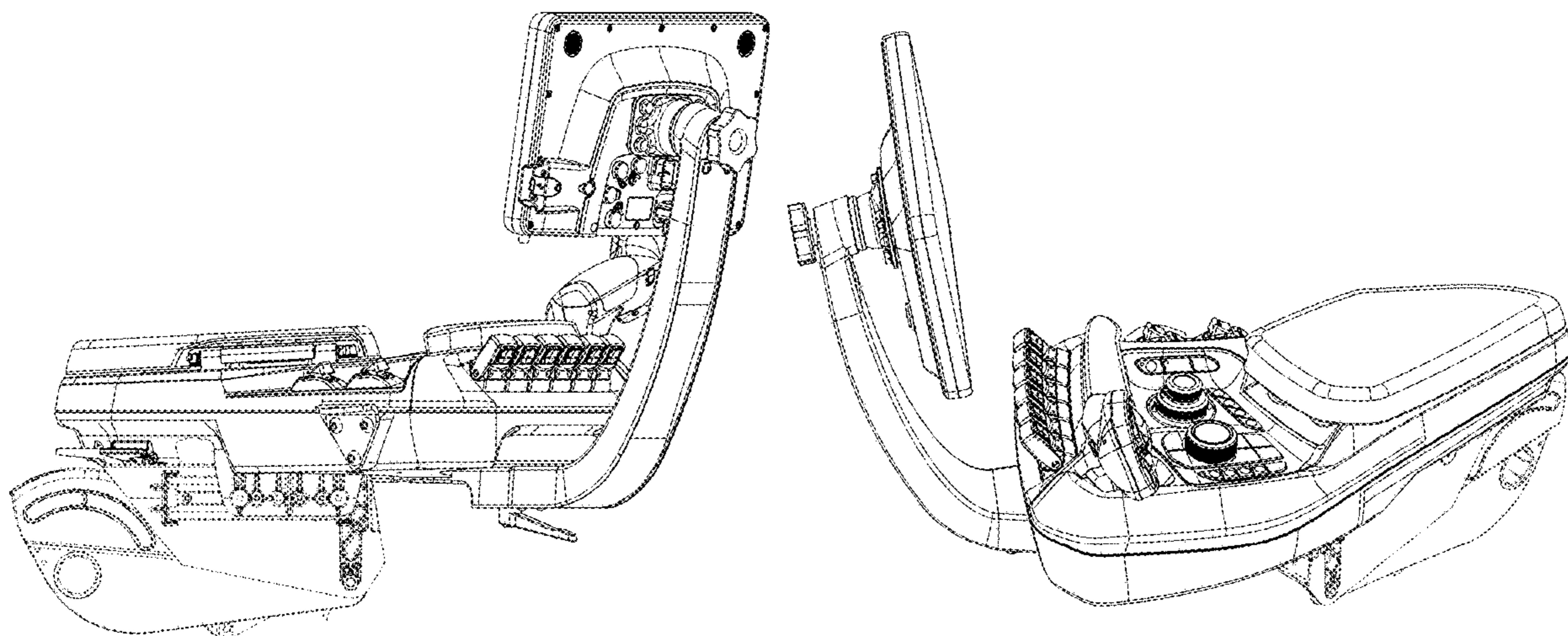
The ornamental design for an agricultural machine armrest control console, as shown and described.

**DESCRIPTION**

FIG. 1 is a front view of an agricultural machine armrest control console of the present design;  
FIG. 2 is a top view thereof;  
FIG. 3 is a rear view thereof;  
FIG. 4 is a side view thereof;  
FIG. 5 is an opposite side view thereof;  
FIG. 6 is a bottom view thereof; and,  
FIG. 7 is a perspective view thereof.

The dashed lines shown in the figures represent portions of the agricultural machine armrest control console that form no part of the claimed design.

**1 Claim, 7 Drawing Sheets**



(56)

**References Cited**

## U.S. PATENT DOCUMENTS

D765,018	S	*	8/2016	Sahs	.....	D12/419
D770,361	S	*	11/2016	Chan	.....	D12/419
D770,968	S	*	11/2016	Willis	.....	D12/415
D786,758	S	*	5/2017	Chang	.....	D12/192
D788,020	S	*	5/2017	Yaguchi	.....	D12/415
D793,313	S	*	8/2017	Zimmermann	.....	D12/192
D795,145	S	*	8/2017	Miyashita	.....	D12/192
D808,330	S	*	1/2018	Kuwahara	.....	D12/419
D808,873	S	*	1/2018	Joyce	.....	D12/192
D809,443	S	*	2/2018	Walker	.....	D12/192
D824,306	S	*	7/2018	Joyce	.....	D12/192
D825,437	S	*	8/2018	Hilton	.....	D12/415
D826,813	S	*	8/2018	Carr	.....	D12/192
D828,259	S	*	9/2018	Takagi	.....	D12/192
D835,567	S	*	12/2018	Gaudreau	.....	D12/415
D836,060	S	*	12/2018	Takagi	.....	D12/415
D840,917	S	*	2/2019	Brooks	.....	D12/421

## OTHER PUBLICATIONS

GPS Technology Takes Root in Agriculture, Unbonmotgroundswell.blogspot.com, Friday, Mar. 21, 2014, [online], [site visited Mar. 4, 2019]. <URL: <http://unbonmotgroundswell.blogspot.com/2014/03/gps-technology-takes-root-in-agriculture.html>> (Year: 2014).\*

Technology is Taking Over Agriculture, AgroMarketDay.com, Isaac Omiat, Dec. 8, 2017, [online], [site visited Mar. 4, 2019]. <URL: <http://www.agromarketday.com/stories/30-technology-is-taking-over-agriculture>> (Year: 2017).\*

Agricultural Vehicles, MSKmatec.de, [online], [site visited Mar. 4, 2019]. <URL: <https://www.mskmatec.de/web/en/agricultural-vehicles>> (Year: 2019).\*

\* cited by examiner

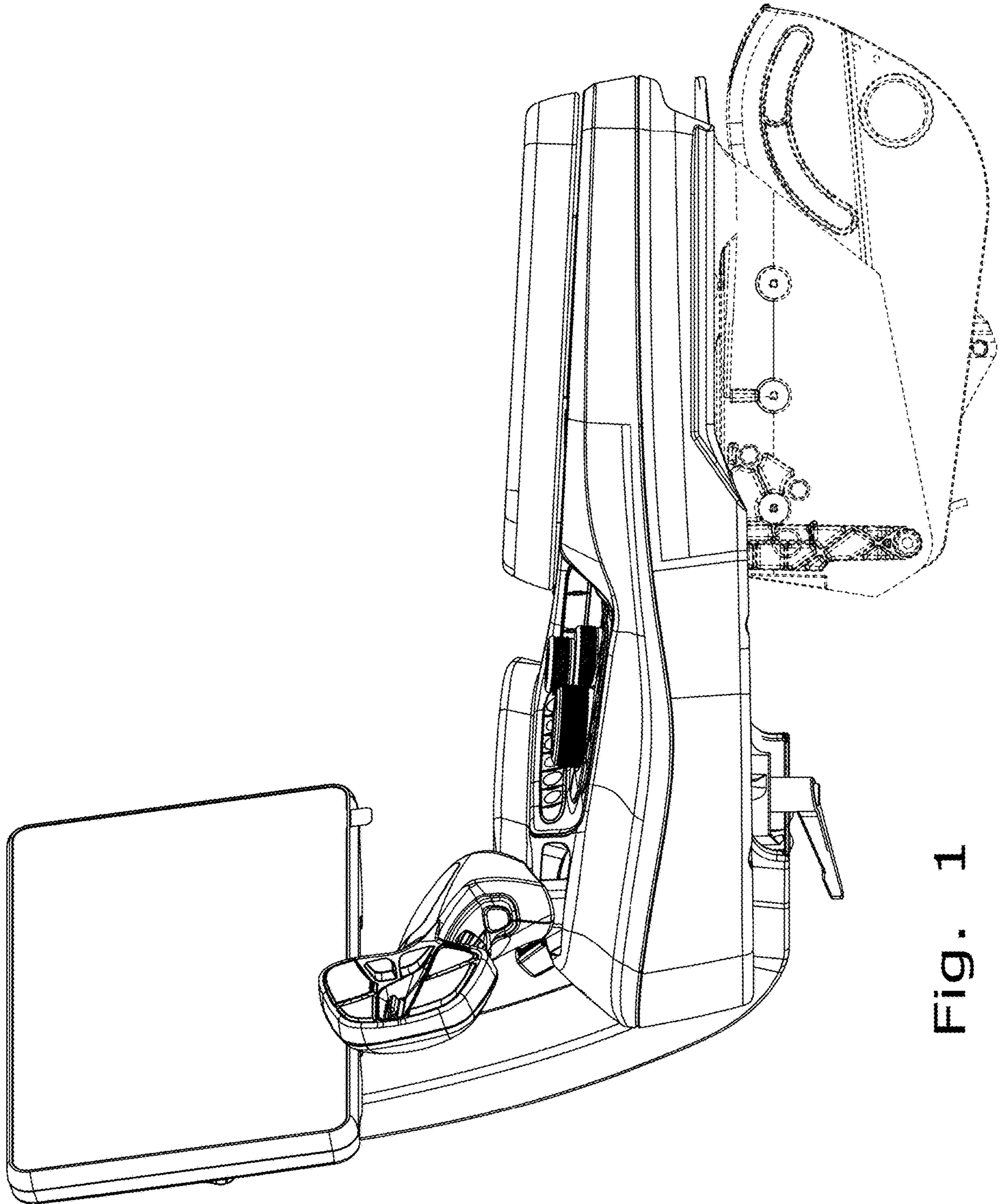


Fig. 1

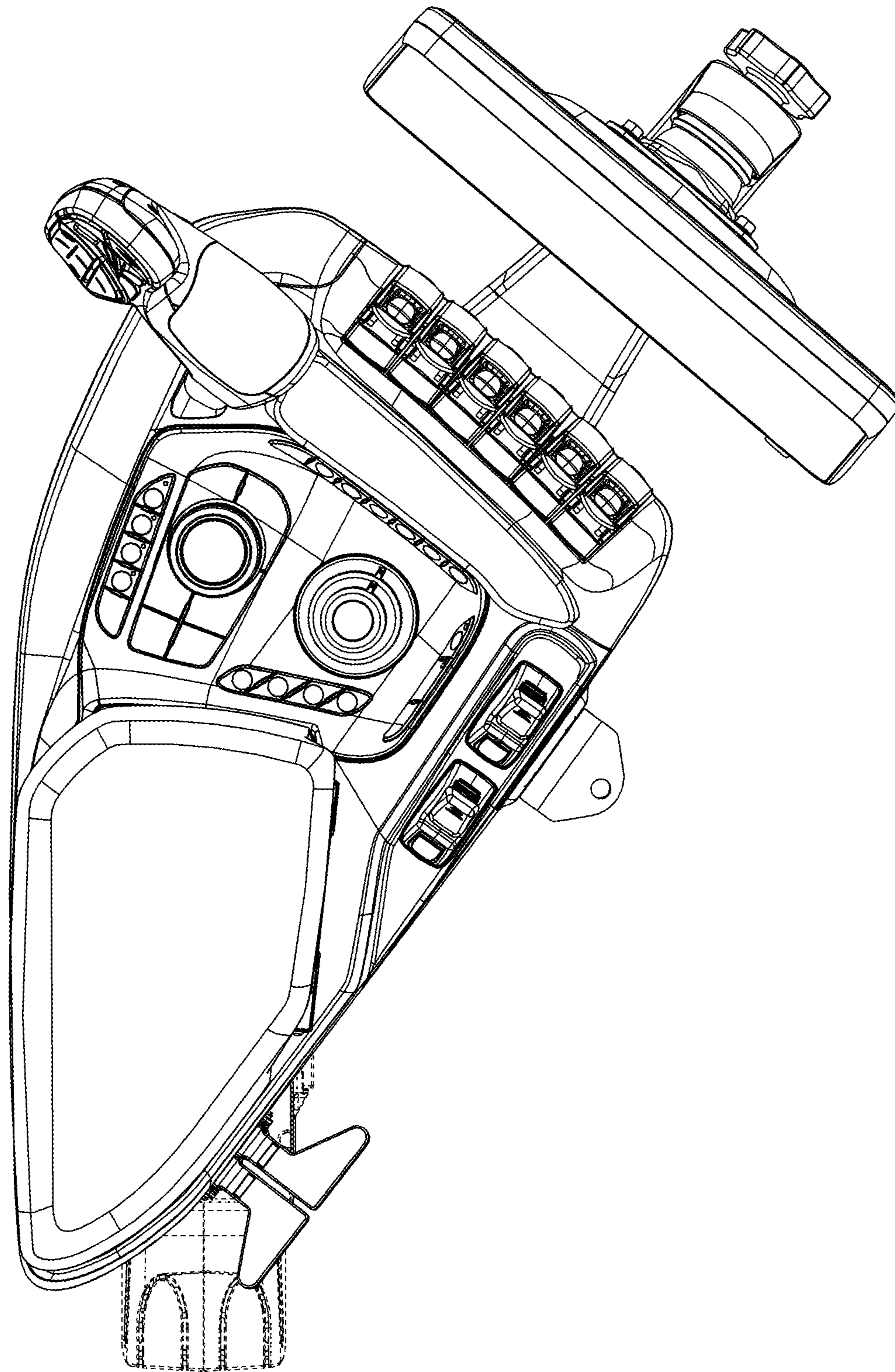


Fig. 2

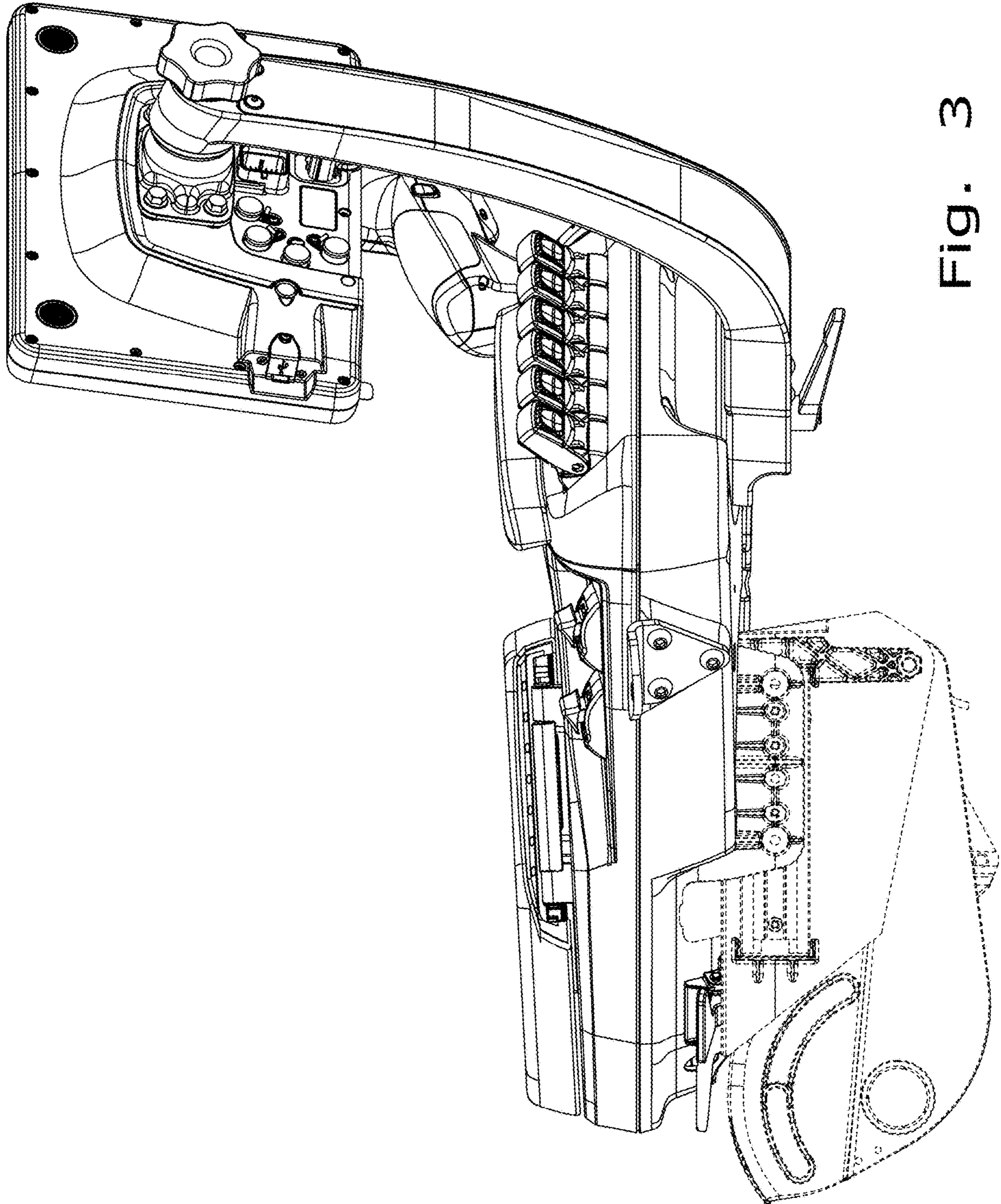


Fig. 3

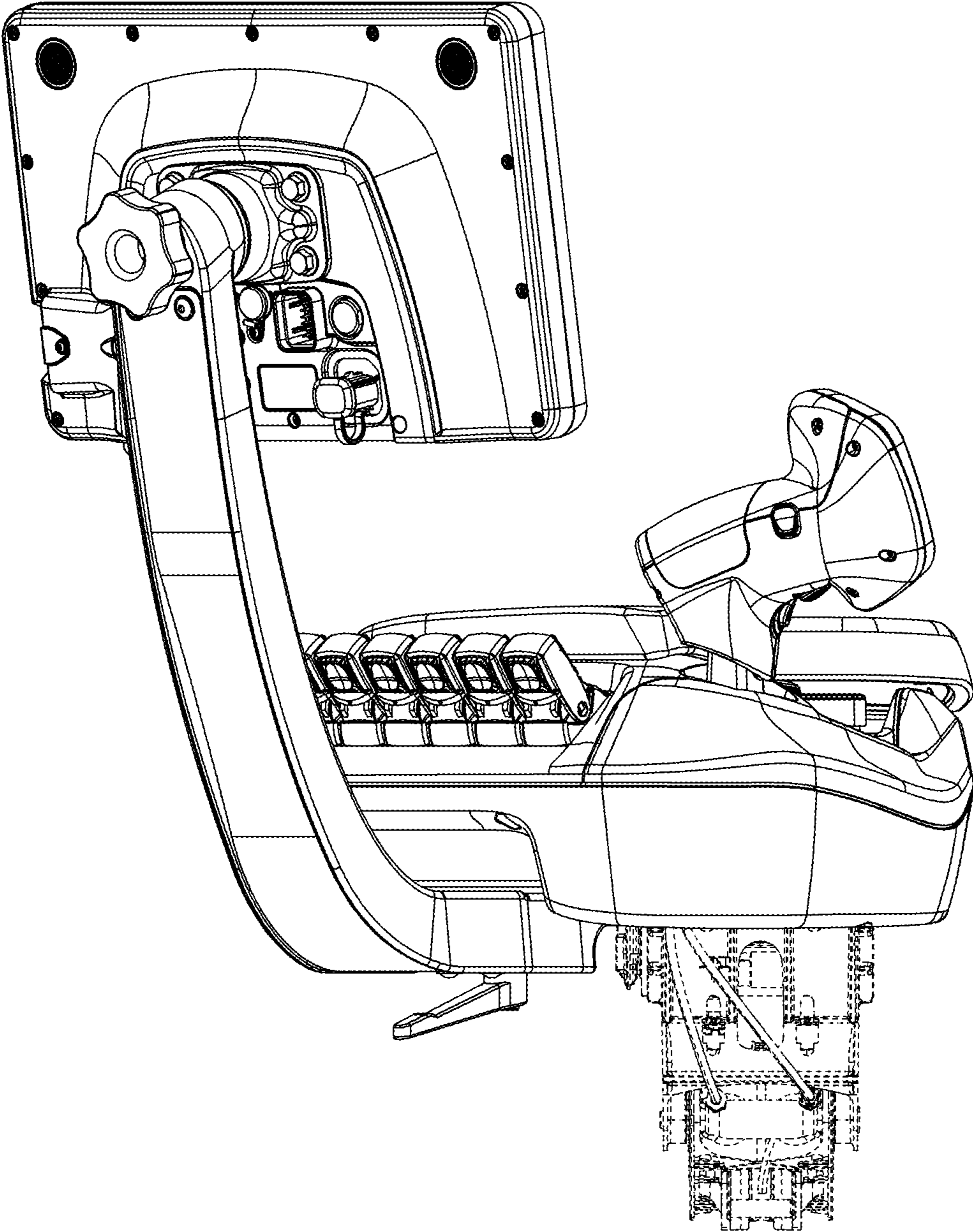


Fig. 4

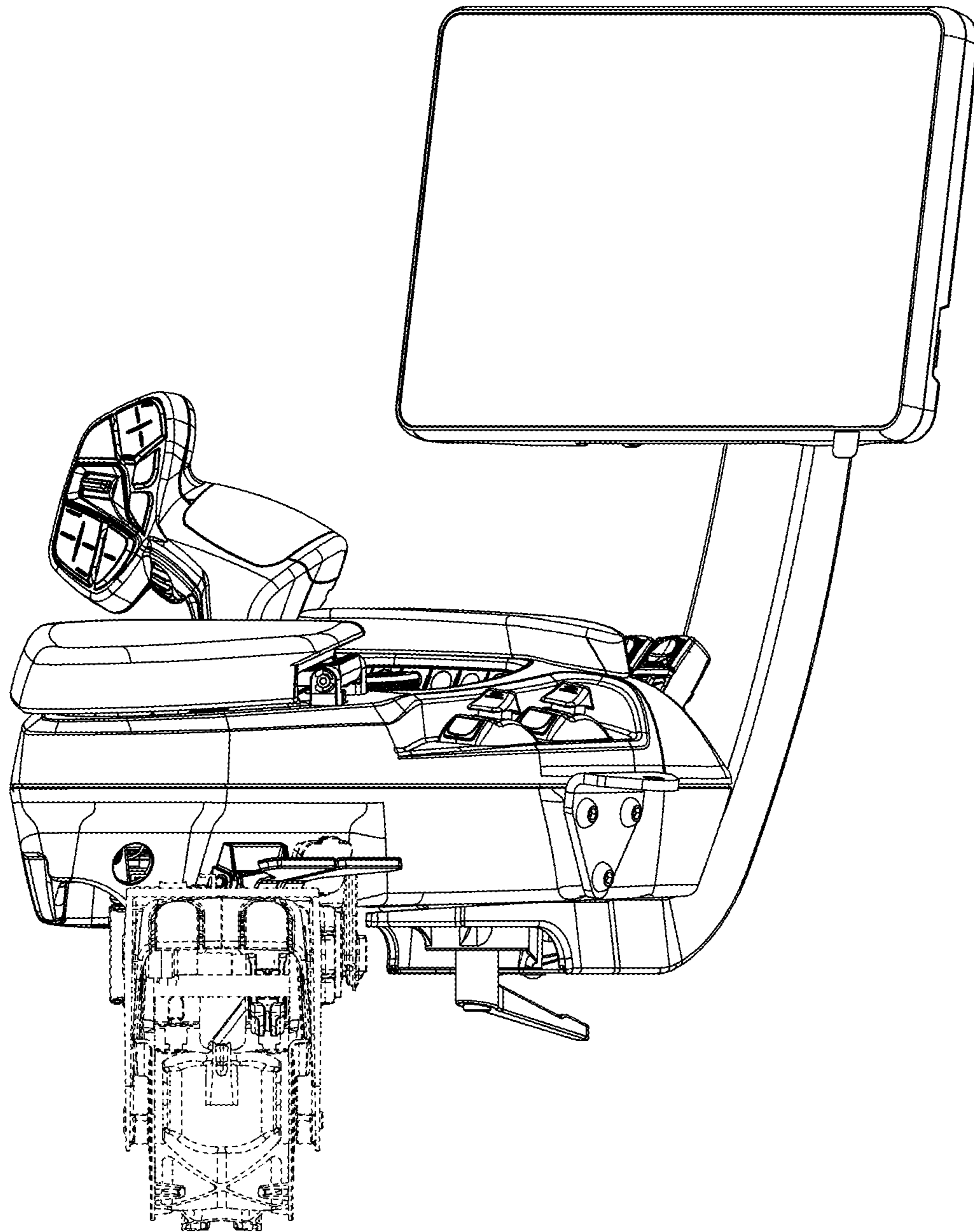


Fig. 5

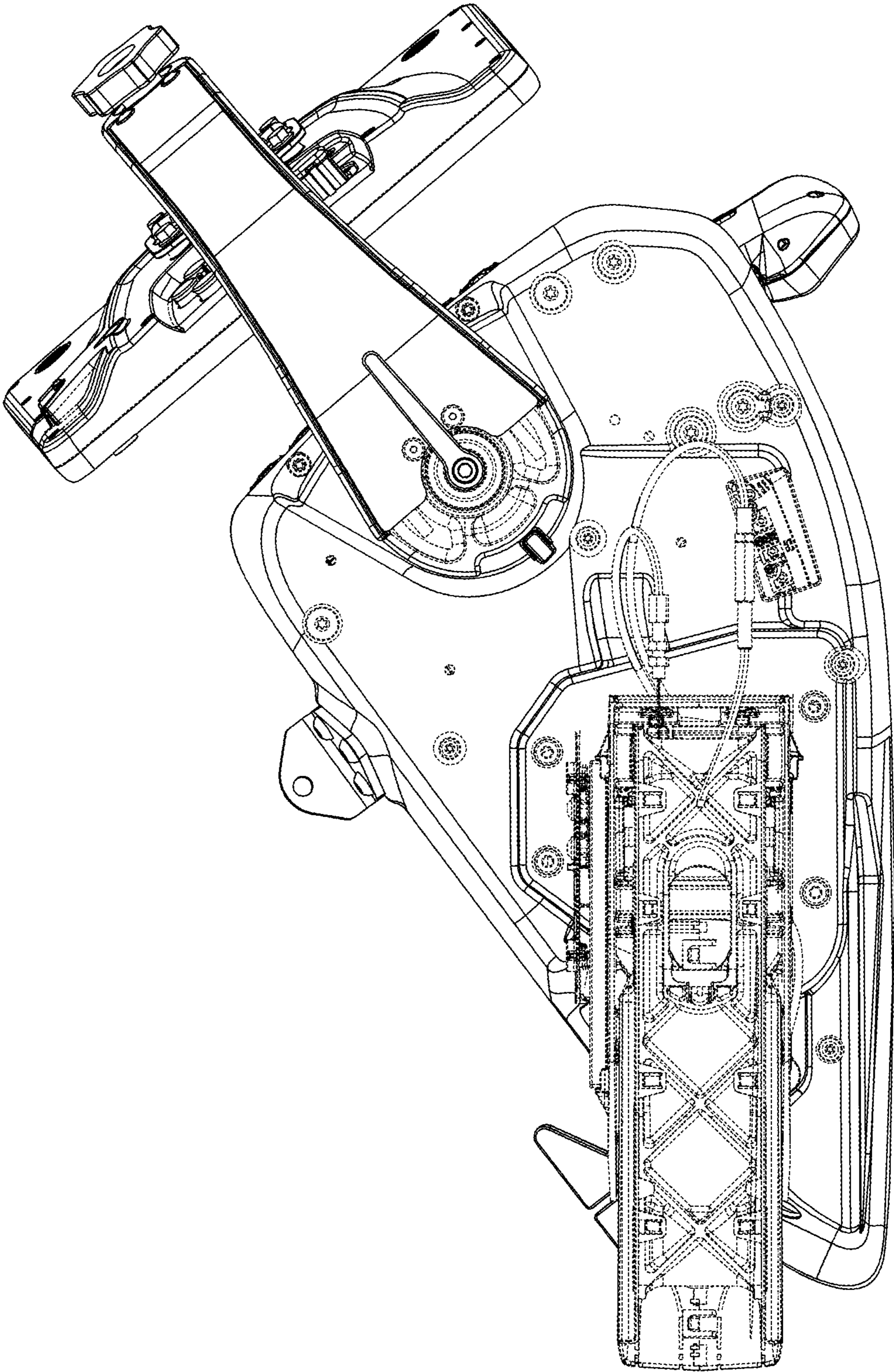


Fig. 6



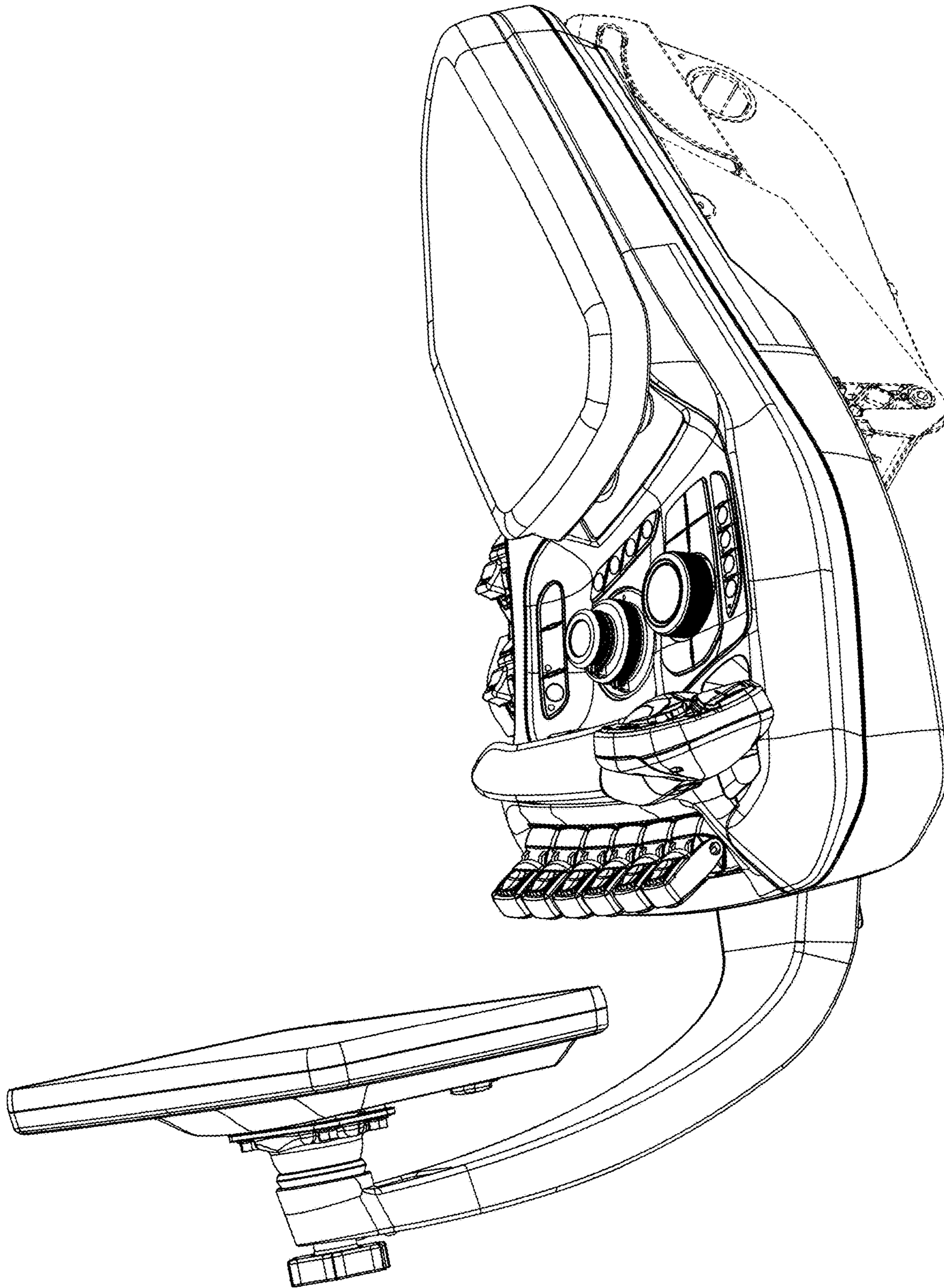


Fig. 7