



US00D871310S

(12) **United States Design Patent**  
**Haban et al.**

(10) **Patent No.:** **US D871,310 S**

(45) **Date of Patent:** **\*\* Dec. 31, 2019**

(54) **SENSOR HOUSING FOR A VEHICLE**

(71) Applicant: **UATC, LLC**, San Francisco, CA (US)

(72) Inventors: **Philipp Haban**, Pittsburgh, PA (US);  
**Christopher D'Eramo**, Pittsburgh, PA  
(US); **Jay Kuvelker**, Pittsburgh, PA  
(US)

(73) Assignee: **UATC, LLC**, San Francisco, CA (US)

(\*\*) Term: **15 Years**

(21) Appl. No.: **29/623,500**

(22) Filed: **Oct. 25, 2017**

(51) **LOC (12) Cl.** ..... **12-16**

(52) **U.S. Cl.**  
USPC ..... **D12/412**

(58) **Field of Classification Search**  
USPC ..... D12/412, 406, 413, 414, 414.1; D6/552;  
D3/304-306  
CPC ..... B60R 9/04; B60R 9/048; B60R 9/045  
See application file for complete search history.

(56) **References Cited**

**U.S. PATENT DOCUMENTS**

D719,903 S \* 12/2014 Sautter ..... D12/412  
D772,783 S \* 11/2016 Schleef ..... D12/412

D778,224 S \* 2/2017 Eriksson ..... D12/412  
D792,833 S \* 7/2017 Chan ..... D12/412  
D811,986 S \* 3/2018 Torres ..... D12/412  
D816,012 S \* 4/2018 Linson ..... D12/412  
D831,562 S \* 10/2018 Salsi ..... D12/412  
D834,496 S \* 11/2018 Deyaf ..... D12/412  
D835,565 S \* 12/2018 Deyaf ..... D12/412  
D856,262 S \* 8/2019 Marankie ..... D12/412  
D859,283 S \* 9/2019 Adler ..... D12/412

\* cited by examiner

*Primary Examiner* — Katrina A Betton

(74) *Attorney, Agent, or Firm* — Dority & Manning, PA

(57) **CLAIM**

The ornamental design for a sensor housing for a vehicle, as shown and described.

**DESCRIPTION**

FIG. 1 is a front perspective view according to the present design.

FIG. 2 is a rear perspective view of the design of FIG. 1.

FIG. 3 is a top view of the design of FIG. 1.

FIG. 4 is a bottom view of the design of FIG. 1.

FIG. 5 is a front view of the design of FIG. 1.

FIG. 6 is a rear view of the design of FIG. 1.

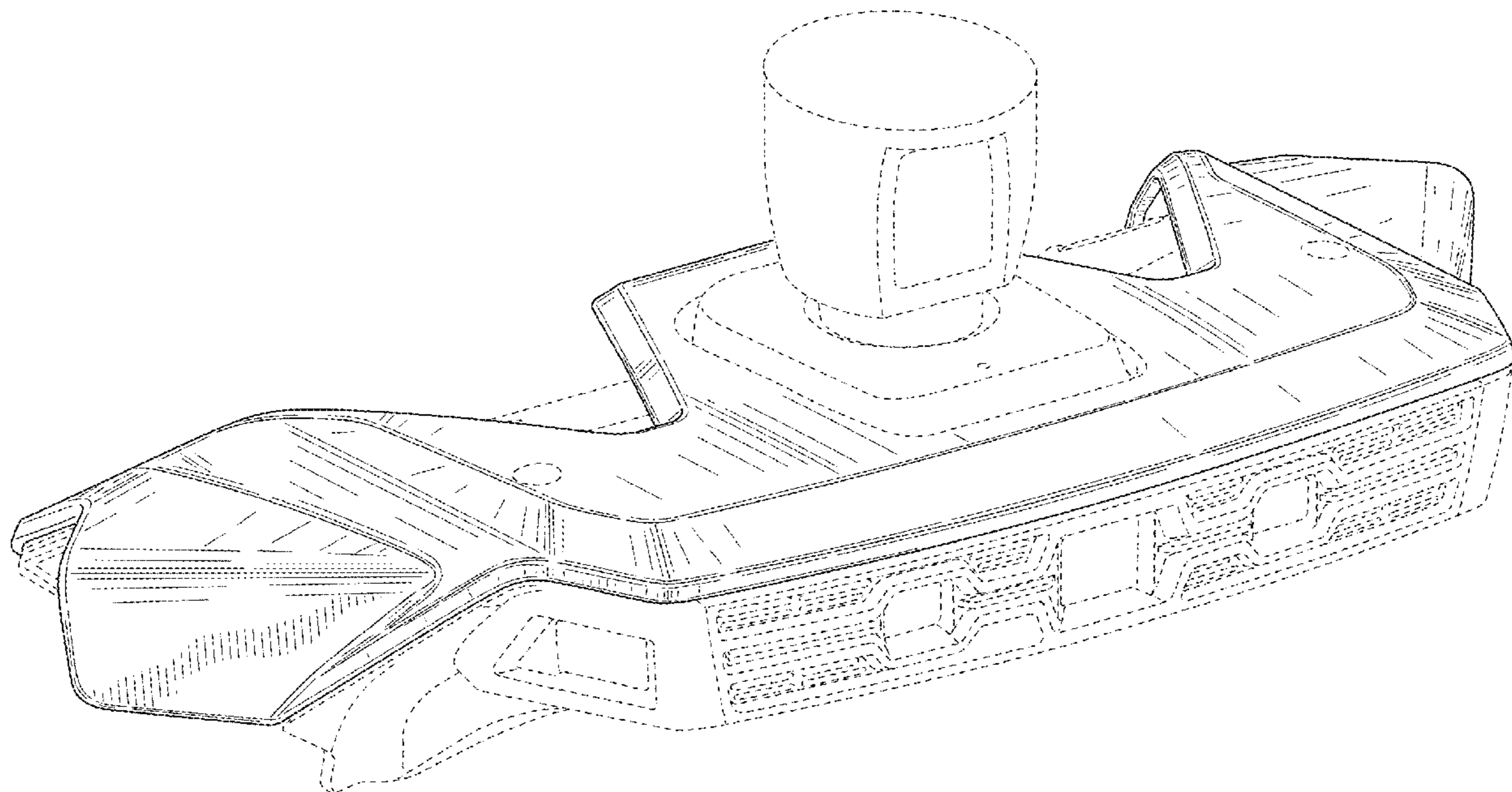
FIG. 7 is a left side view of the design of FIG. 1.

FIG. 8 is a right side view of the design of FIG. 1; and,

FIG. 9 is a front perspective view of the design of FIG. 1.

The claimed design comprises the elements shown in solid lines. The broken lines form no part of the claimed design.

**1 Claim, 8 Drawing Sheets**



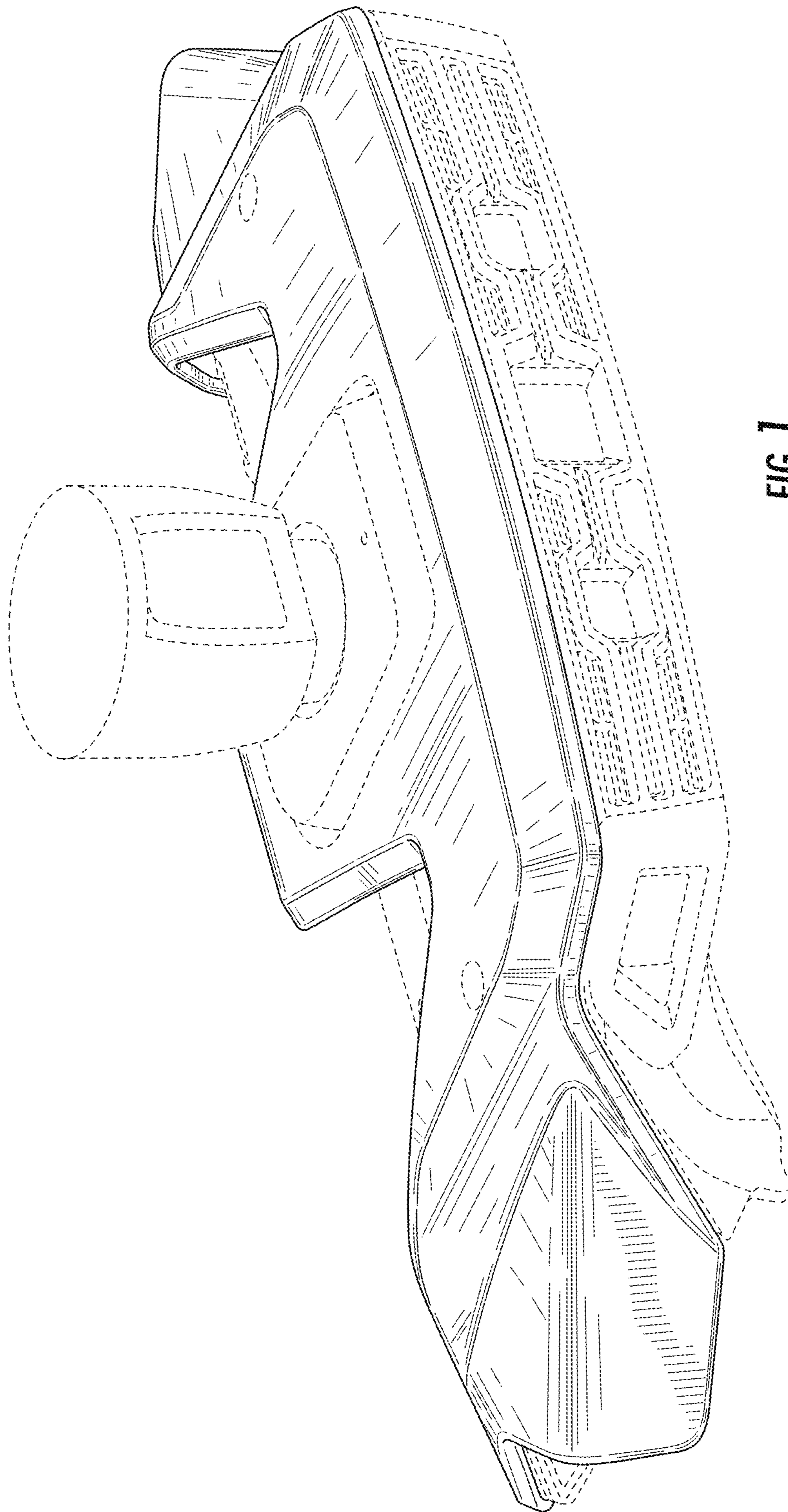


FIG. 1

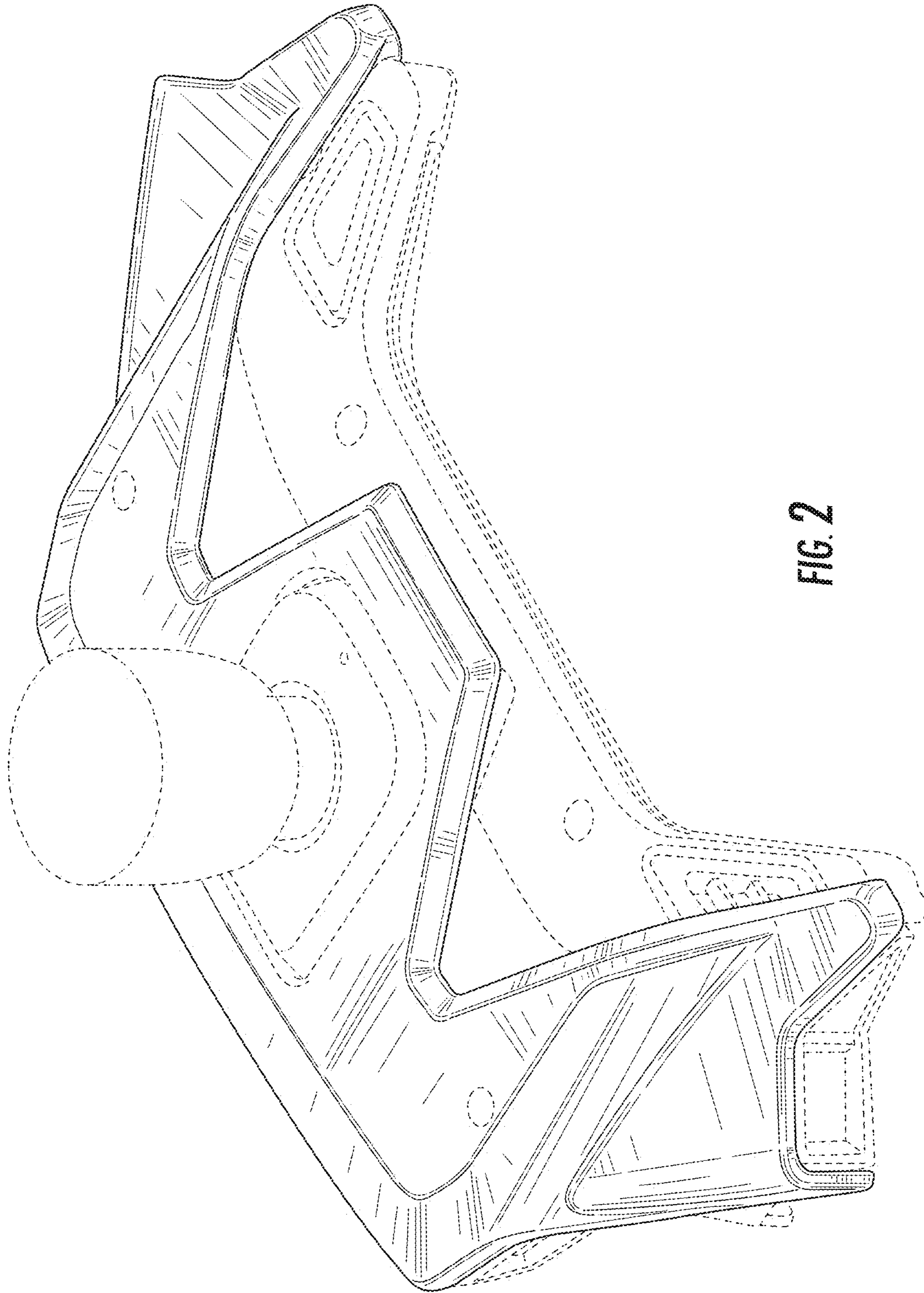


FIG. 2

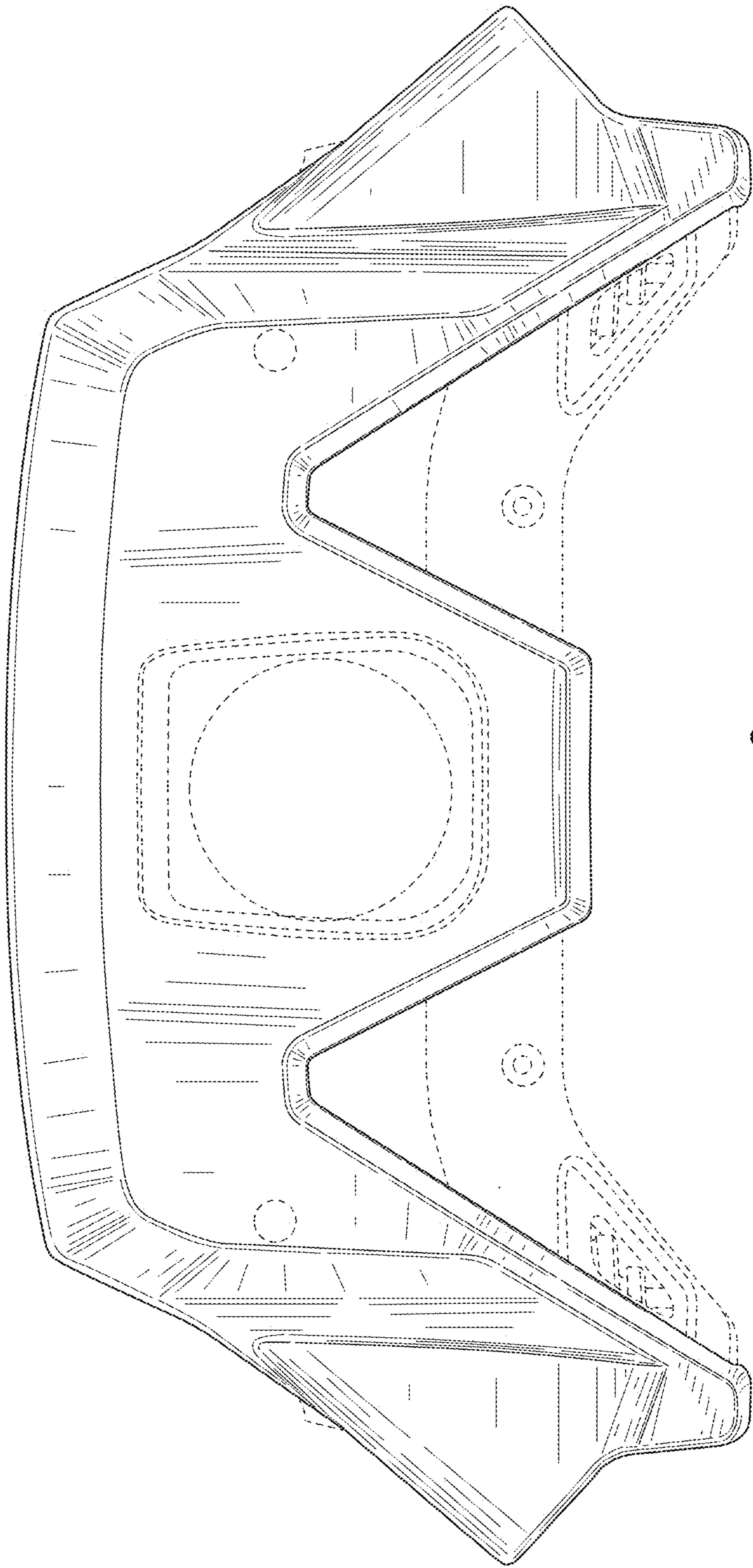


FIG. 3

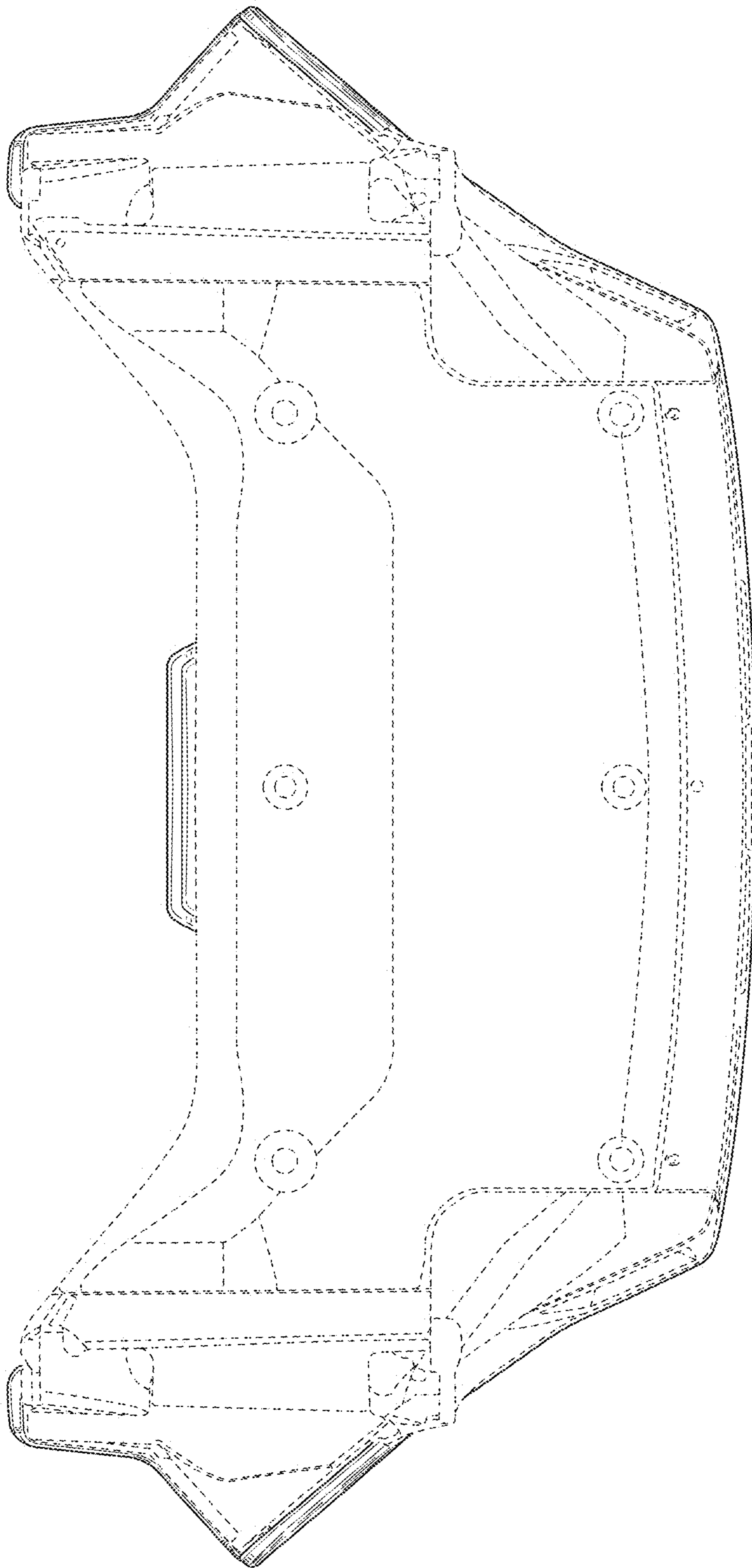


FIG. 4

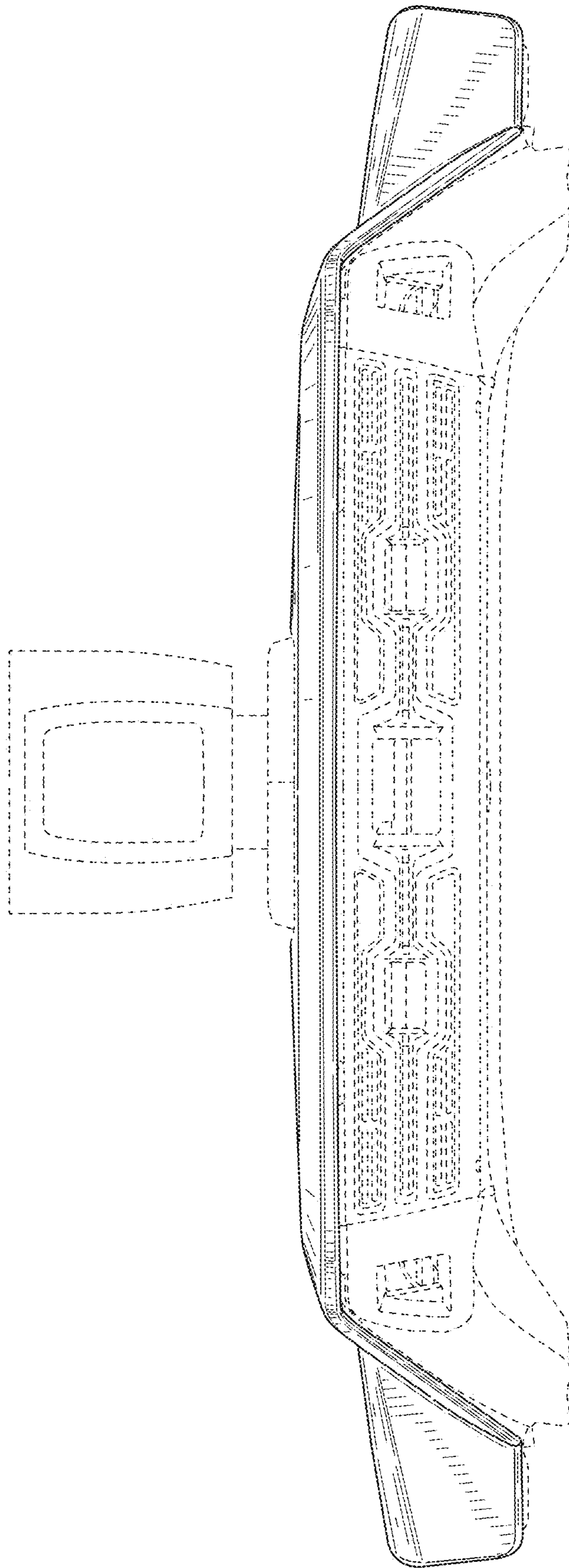


FIG. 5

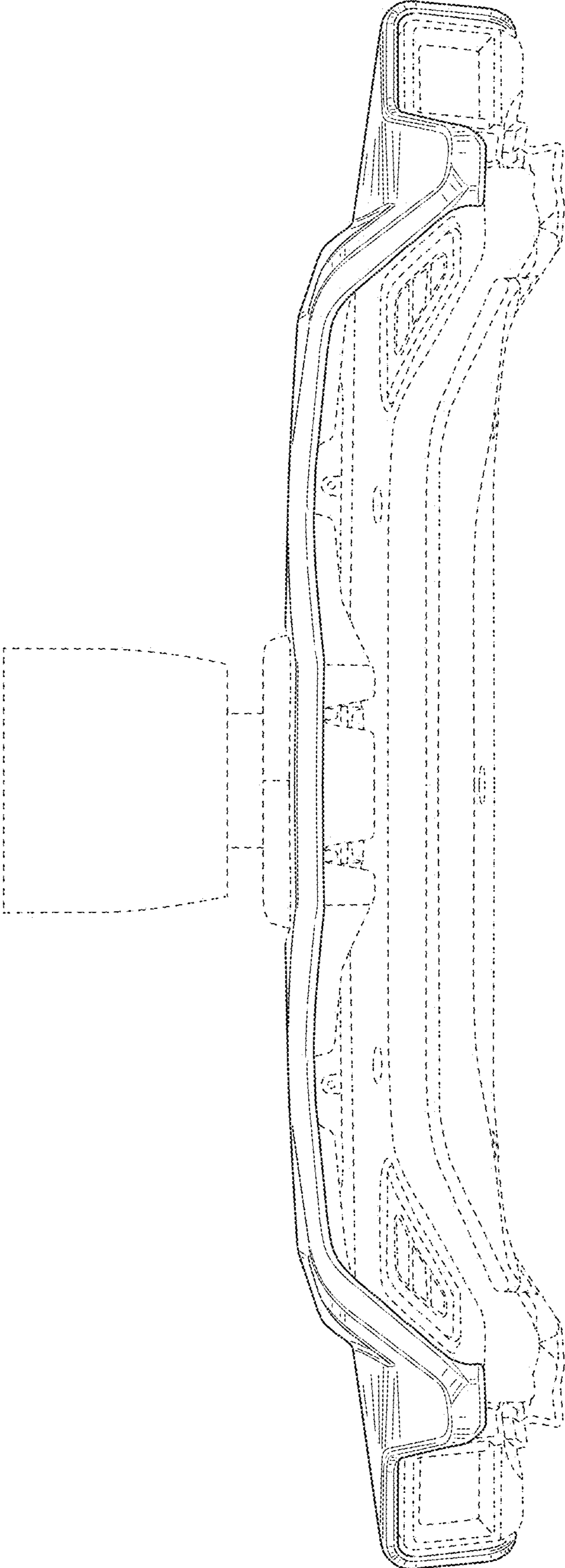


FIG. 6

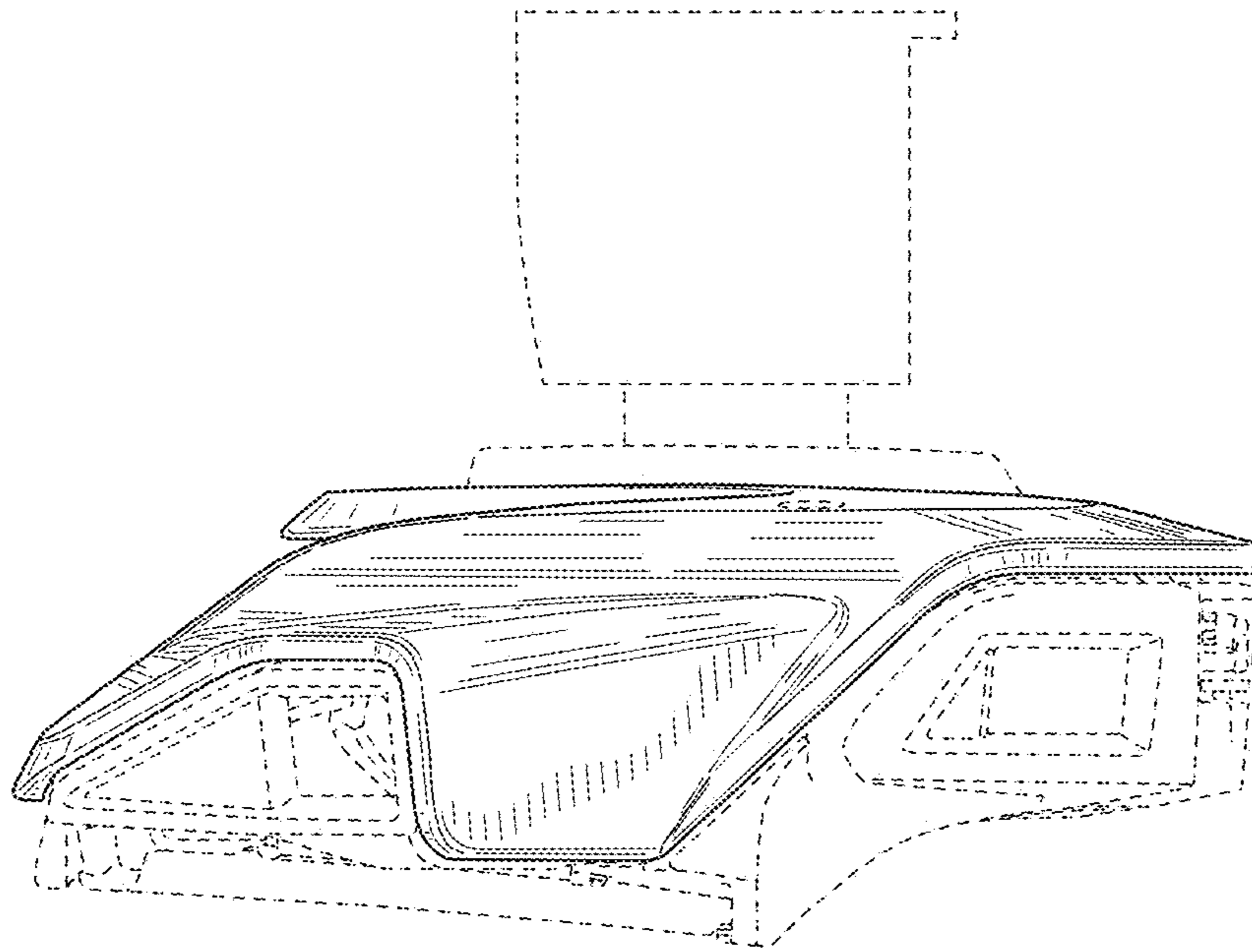


FIG. 7

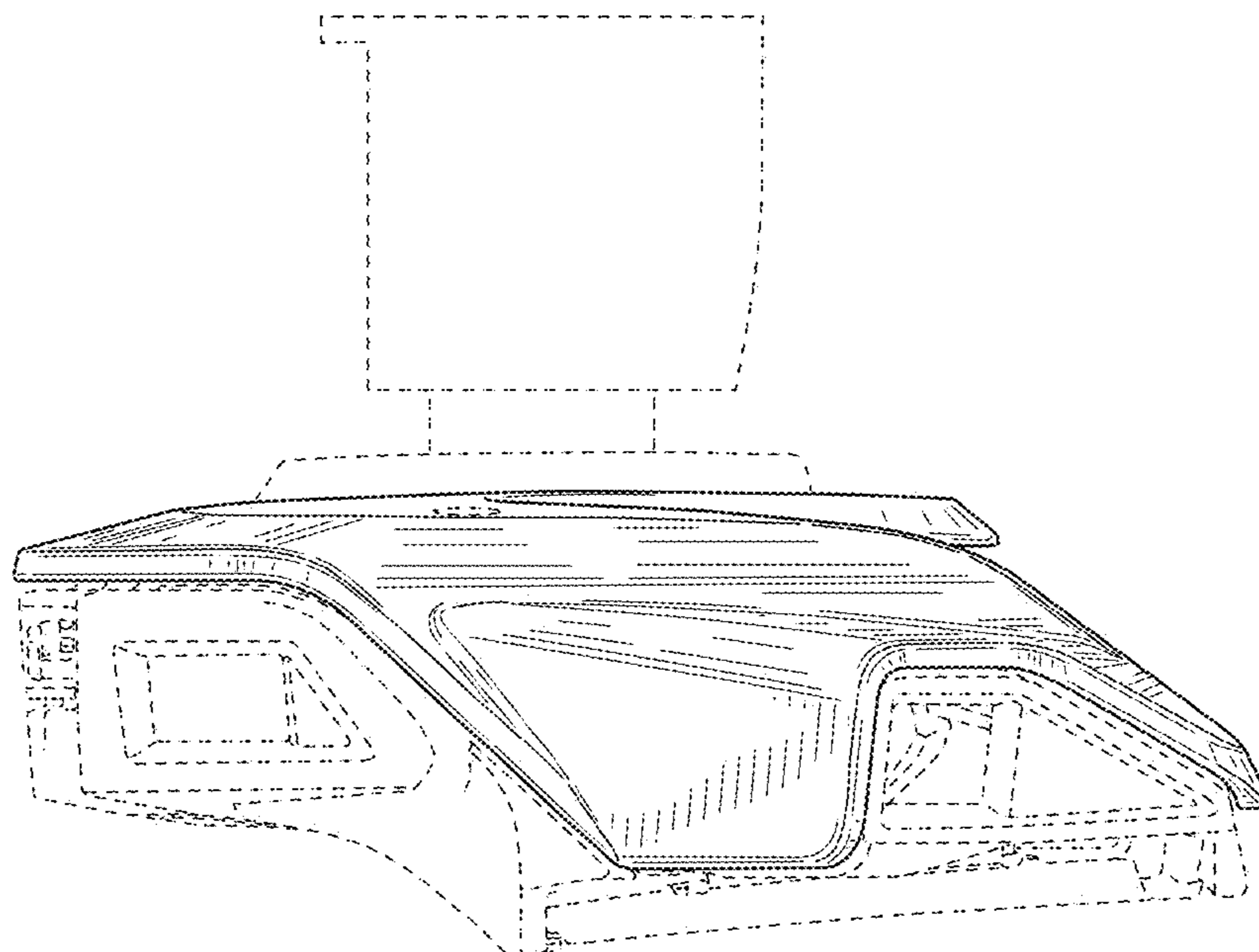


FIG. 8



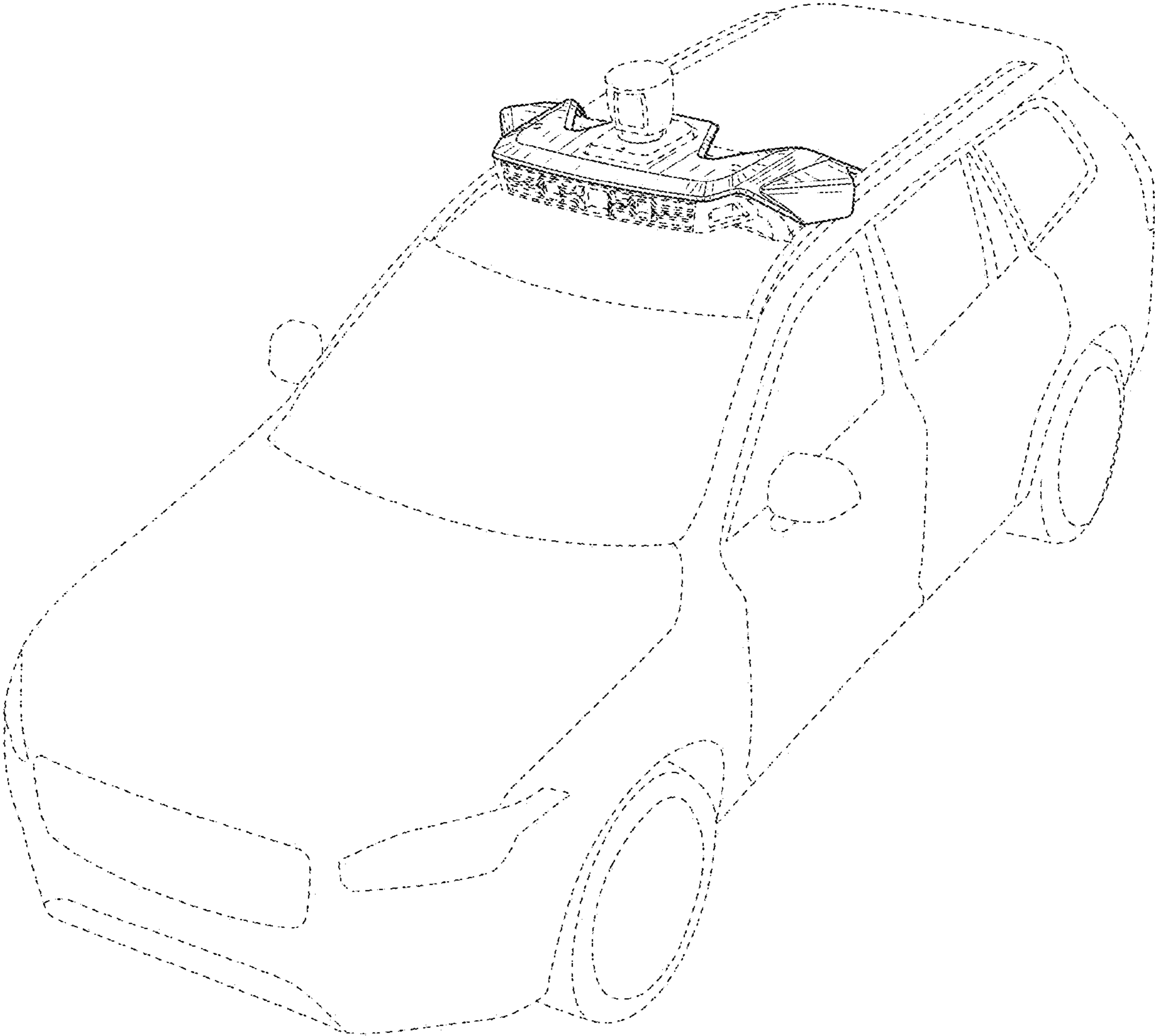


FIG. 9