



US00D871309S

(12) **United States Design Patent** (10) **Patent No.:** **US D871,309 S**
Adler (45) **Date of Patent:** **** Dec. 31, 2019**

(54) **CLAMP AND CARRIER WITH CLAMP**
(71) Applicant: **Thule Sweden AB**, Hillerstorp (SE)
(72) Inventor: **Jan Adler**, Skillingaryd (SE)
(73) Assignee: **Thule Sweden AB**, Hillerstorp (SE)

D487,689 S * 3/2004 Brass D8/73
D541,613 S * 5/2007 Wang D8/74
D545,162 S * 6/2007 Ranieri D8/73
D557,582 S * 12/2007 Murray D8/73
7,481,344 B2 1/2009 Naslund et al.
D622,208 S * 8/2010 Sautter D12/408
D623,117 S * 9/2010 Farber D12/408

(**) Term: **15 Years**
(21) Appl. No.: **29/657,130**
(22) Filed: **Jul. 19, 2018**

(Continued)
Primary Examiner — Michelle E. Wilson
Assistant Examiner — Clese Moore, Jr.
(74) *Attorney, Agent, or Firm* — Sterne, Kessler,
Goldstein & Fox P.L.L.C.

Related U.S. Application Data

(63) Continuation of application No. 29/601,148, filed on Apr. 19, 2017, now Pat. No. Des. 829,157, which is a continuation of application No. 29/531,722, filed on Jun. 29, 2015, now Pat. No. Des. 789,276.
(51) **LOC (12) Cl.** **12-16**
(52) **U.S. Cl.**
USPC **D12/408**
(58) **Field of Classification Search**
USPC D12/408, 407, 406, 412, 413, 414, 400;
D8/72, 73, 396; D32/35
CPC .. B60R 9/06; B60R 9/10; B60R 9/045; B60R
9/048
See application file for complete search history.

(57) **CLAIM**

The ornamental design for a clamp and carrier with clamp, as shown and described.

DESCRIPTION

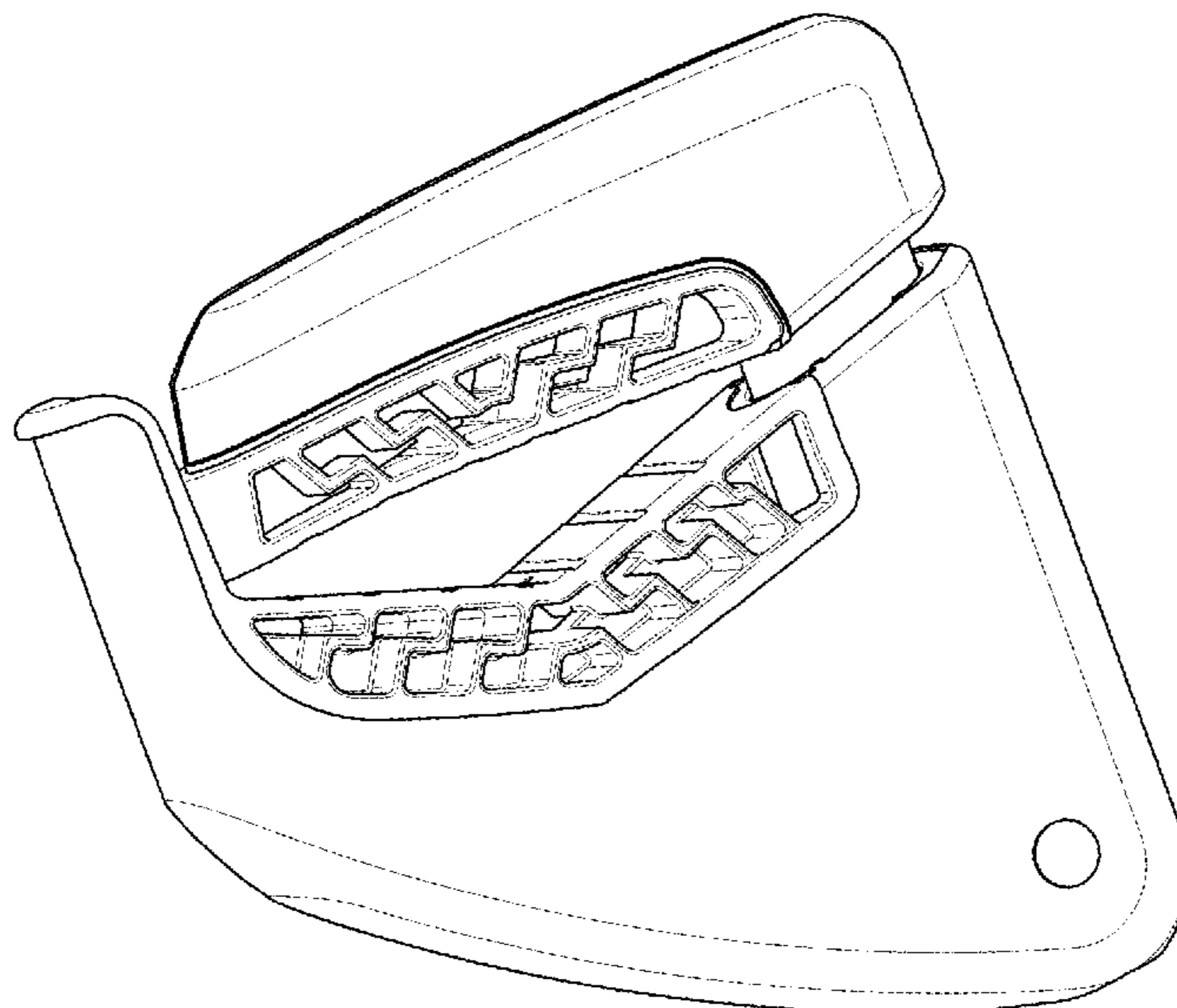
FIG. 1 is a perspective view of a clamp for a carrier showing the claimed design;
FIG. 2 is a left side view thereof;
FIG. 3 is a right side view thereof;
FIG. 4 is a front view thereof;
FIG. 5 is a rear view thereof;
FIG. 6 is a top view thereof;
FIG. 7 is a bottom view thereof;
FIG. 8 is a top perspective view of a carrier with clamp showing the claimed design in an environment in which it may be used;
FIG. 9 is a left side view thereof;
FIG. 10 is a right side view thereof;
FIG. 11 is a front view thereof;
FIG. 12 is a rear view thereof;
FIG. 13 is a top view thereof; and,
FIG. 14 is a bottom view thereof.
The broken lines in the figures show portions of the carrier with clamp that form no part of the claimed design.
The shade lines in the figures show contour and not surface ornamentation.

(56) **References Cited**

U.S. PATENT DOCUMENTS

D283,209 S * 4/1986 Rodriguez D12/223
D312,235 S * 11/1990 Dixon D12/408
D340,020 S * 10/1993 Yamamoto D12/412
D340,021 S * 10/1993 Yamamoto D12/412
5,769,556 A * 6/1998 Colley B62H 3/02
24/335
D410,430 S * 6/1999 Stapleton D12/414
D422,554 S * 4/2000 Stapleton D12/414
6,296,162 B1 10/2001 Englander et al.
D460,401 S 7/2002 Andersson

1 Claim, 10 Drawing Sheets



(56)

References Cited

U.S. PATENT DOCUMENTS

D668,522 S * 10/2012 Henderson D8/73
D690,068 S * 9/2013 Gringer D32/54
D706,209 S 6/2014 Flaherty et al.
D718,999 S * 12/2014 Robinson D8/72
D719,001 S * 12/2014 Robinson D8/73
D731,400 S 6/2015 Condon et al.
D735,025 S * 7/2015 Mathien D8/396
D736,073 S * 8/2015 Eriksson D8/394
D762,502 S * 8/2016 Shen D10/79
D775,519 S * 1/2017 May D8/396
D789,276 S * 6/2017 Adler D12/407
D799,953 S * 10/2017 Papafagos D8/396
D807,137 S * 1/2018 Whitaker D8/72
D808,889 S * 1/2018 Puchkoff D12/406
D808,890 S * 1/2018 Fenchak D12/414
D810,555 S * 2/2018 O'Brien D8/394
9,931,994 B2 4/2018 Settelmayer
2015/0096403 A1 * 4/2015 Hirotomi B62K 23/06
74/491
2017/0050577 A1 * 2/2017 Lindholm B60R 9/048
2017/0174143 A1 * 6/2017 Lindholm B60R 9/048

* cited by examiner

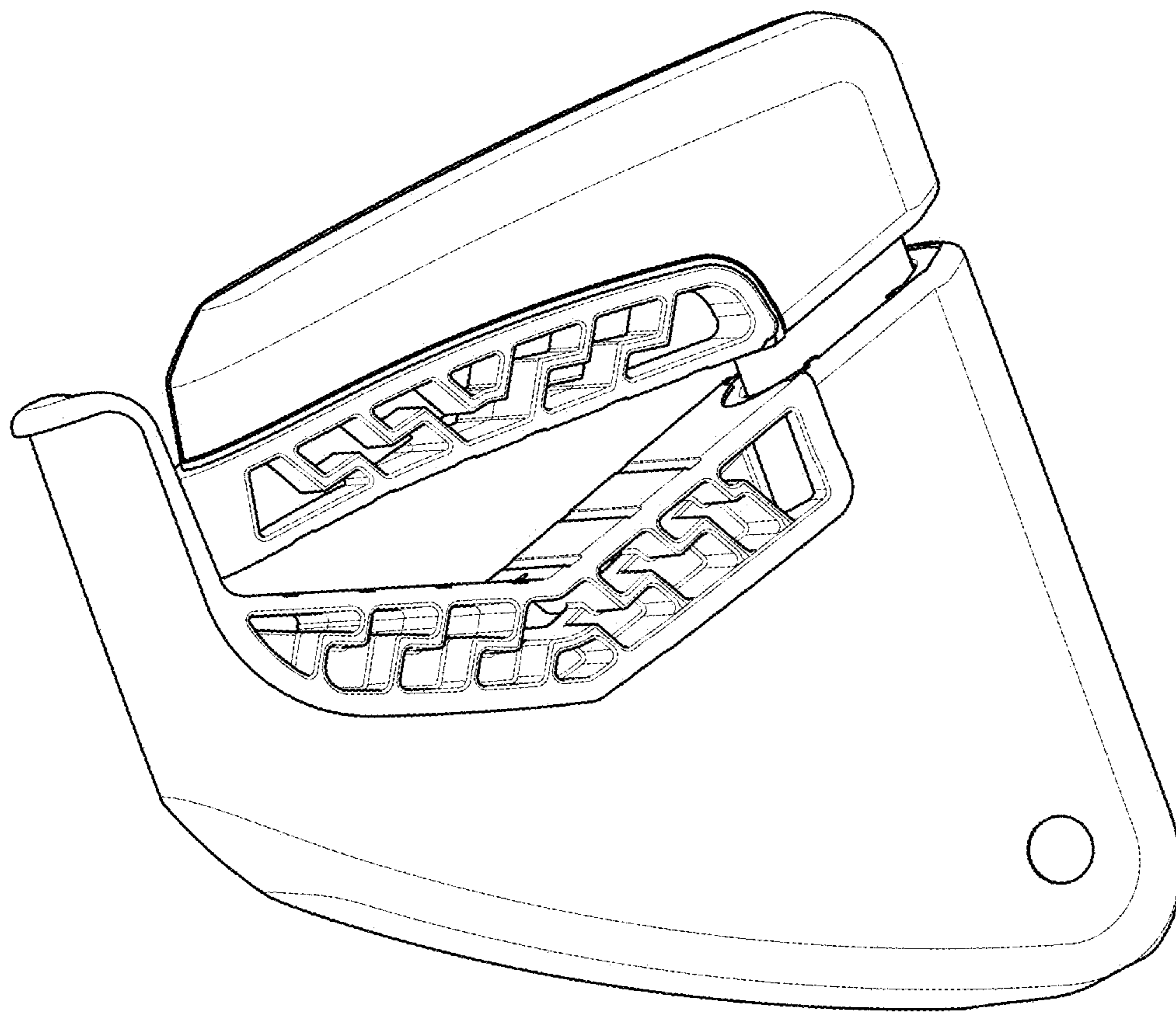


FIG. 1

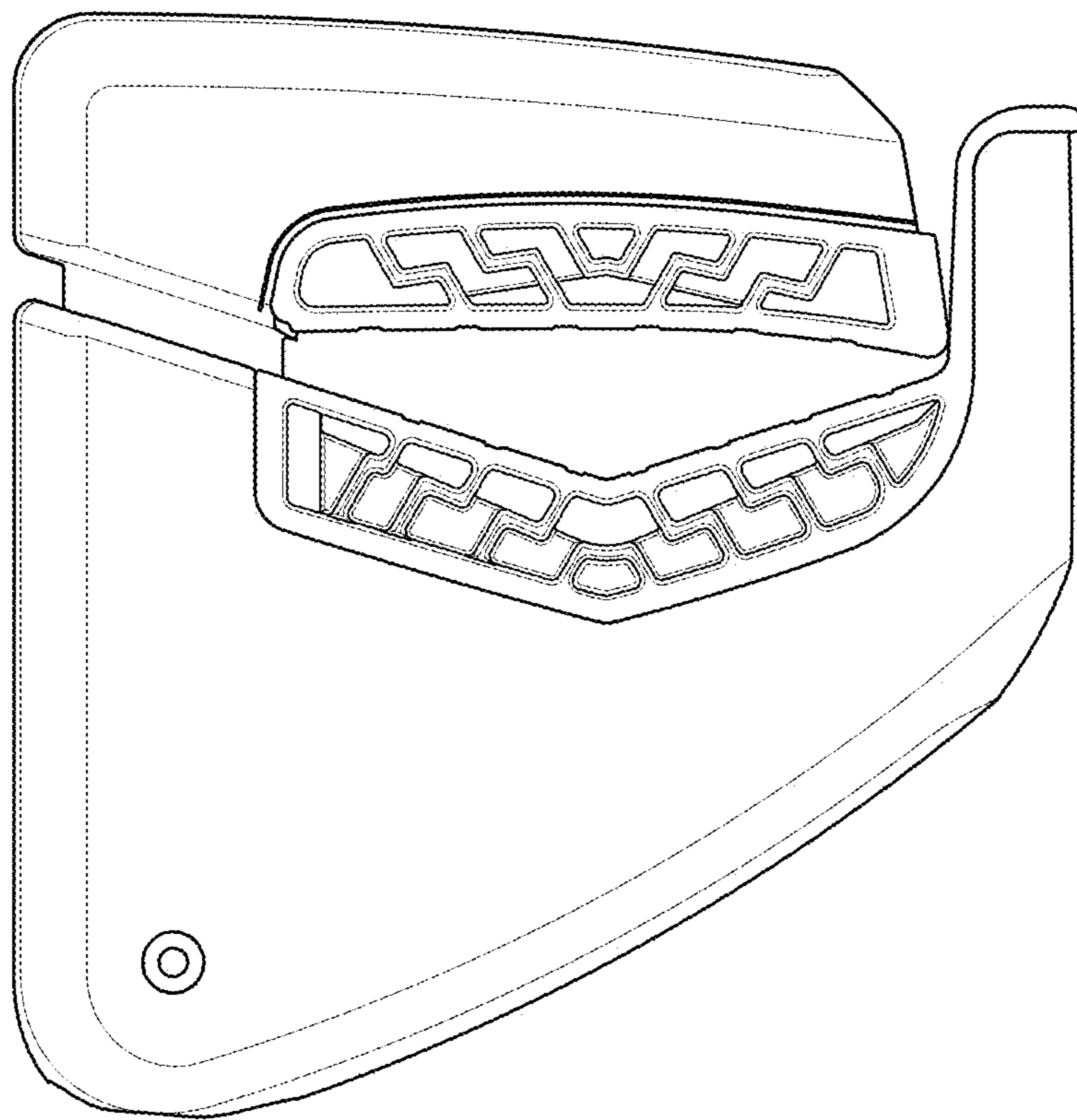


FIG. 2

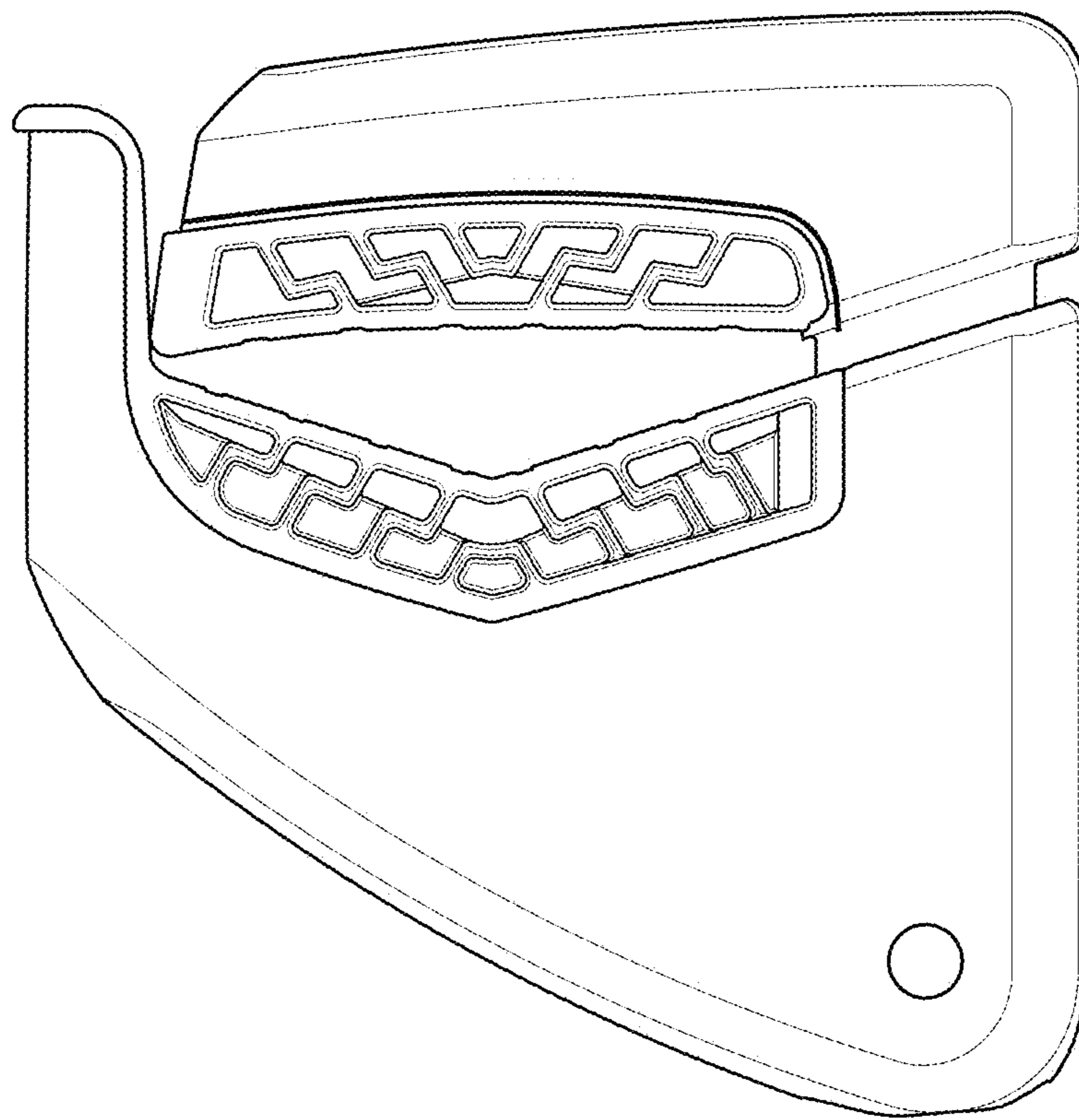


FIG. 3

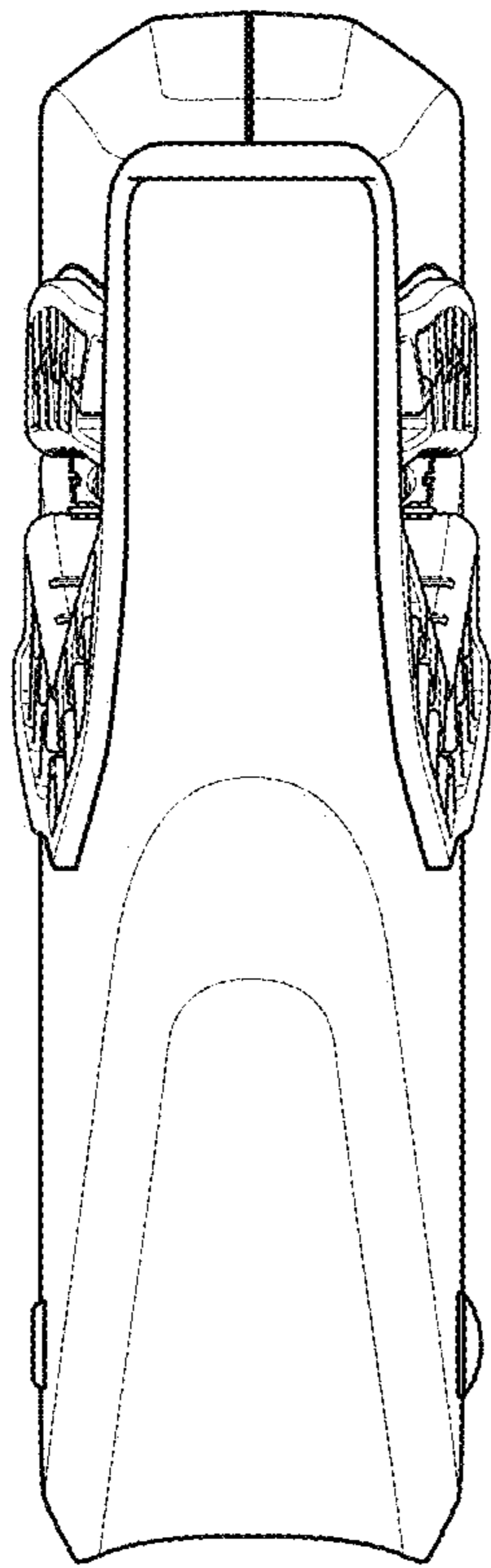


FIG. 4

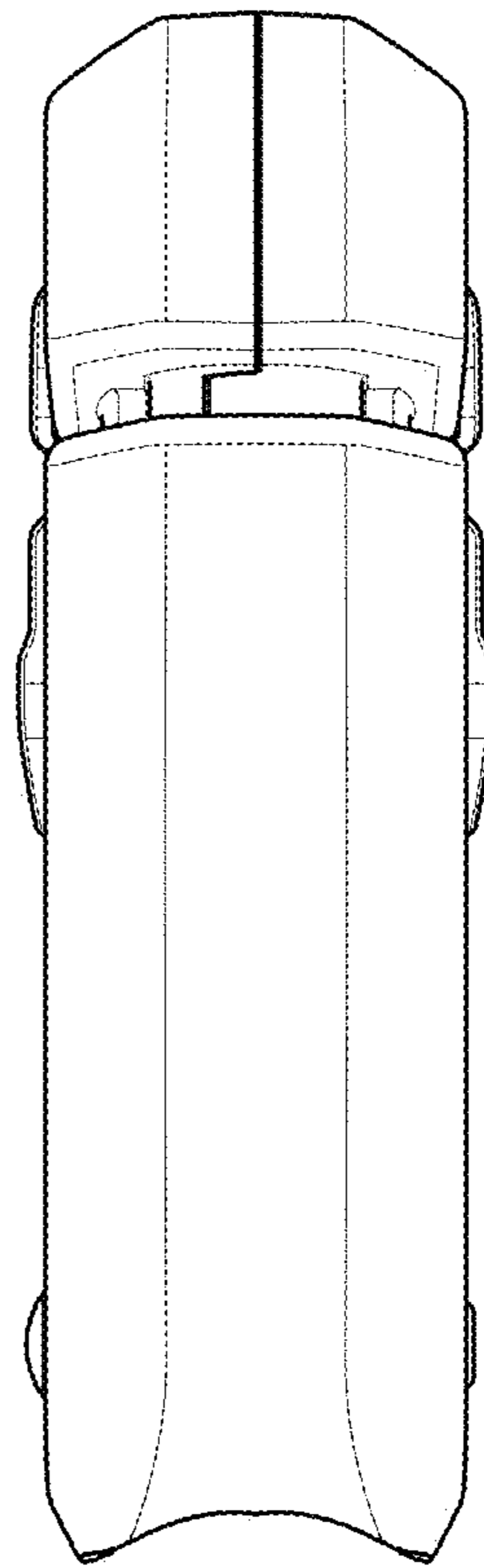


FIG. 5

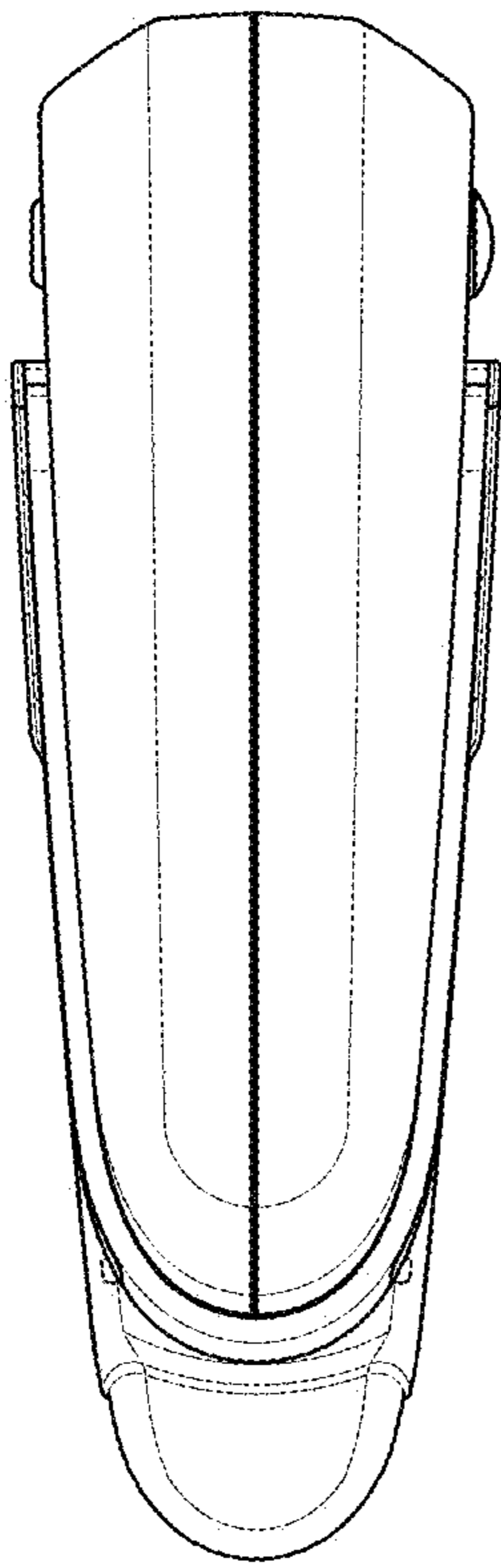


FIG. 6

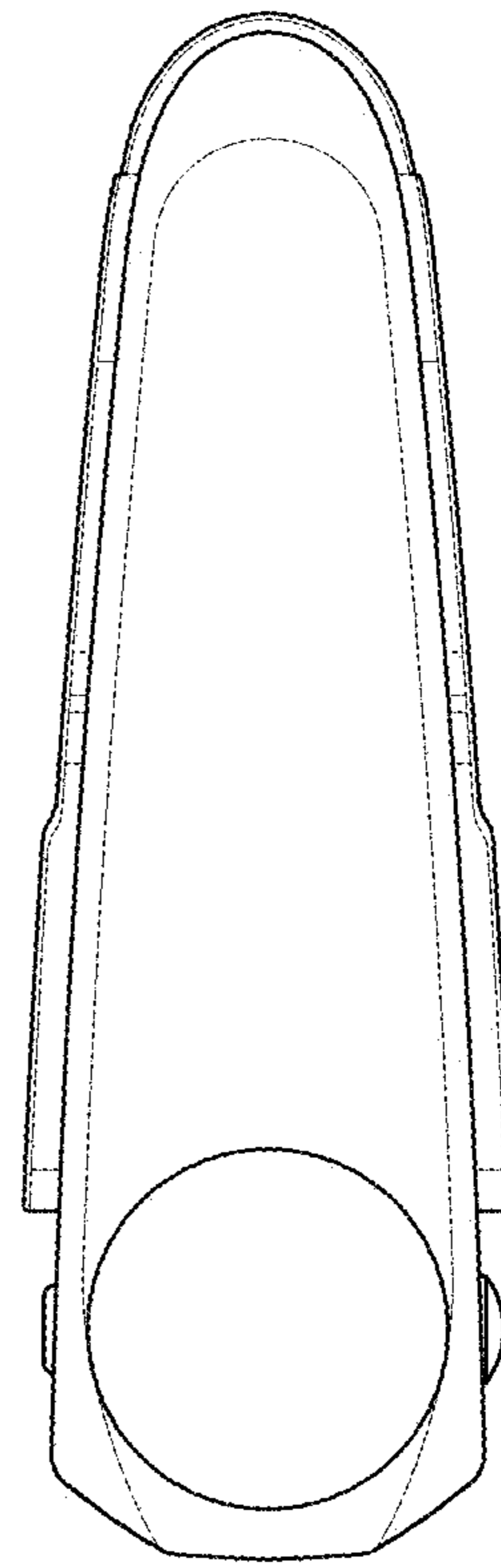


FIG. 7

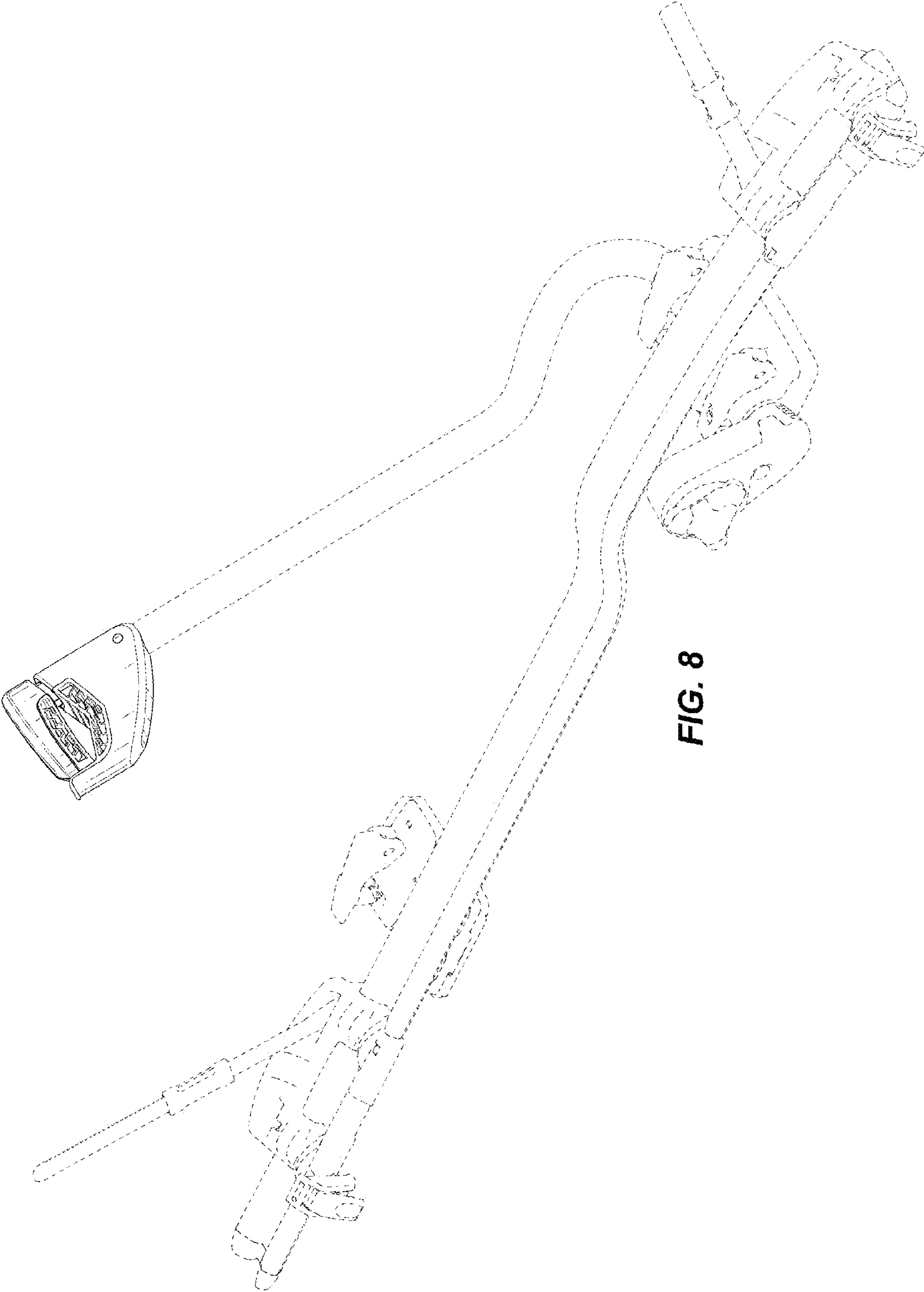


FIG. 8

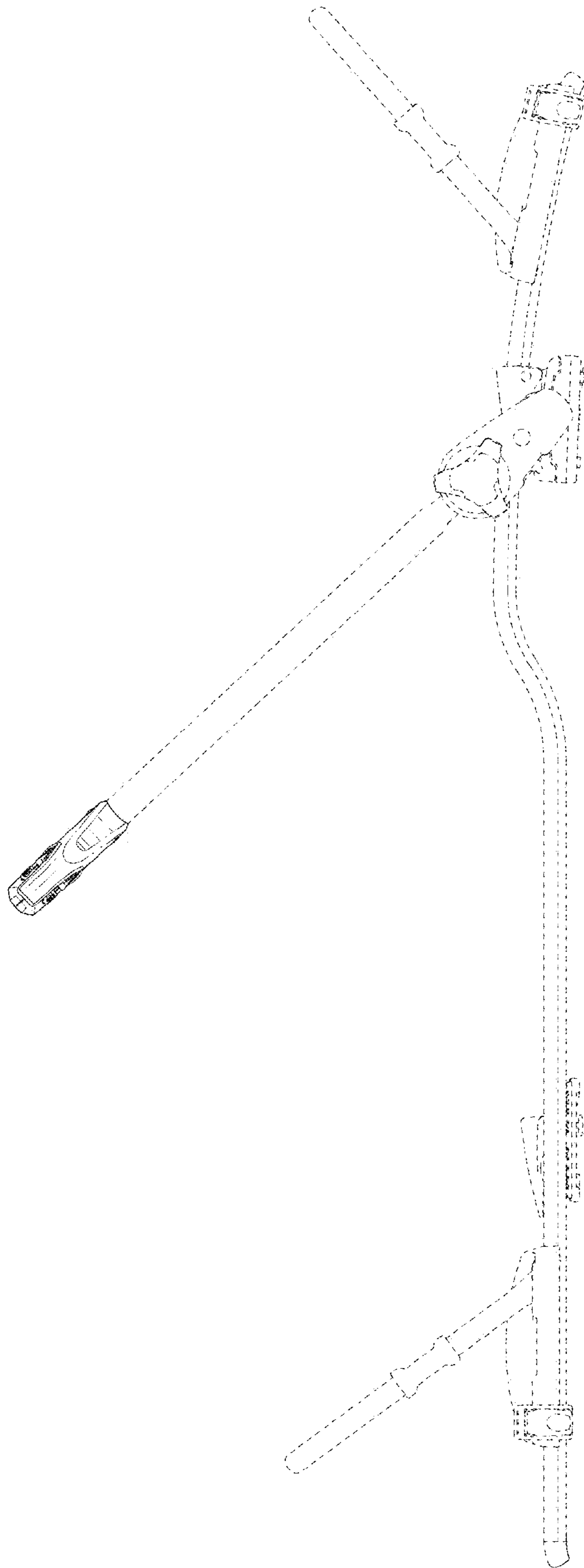


FIG. 9

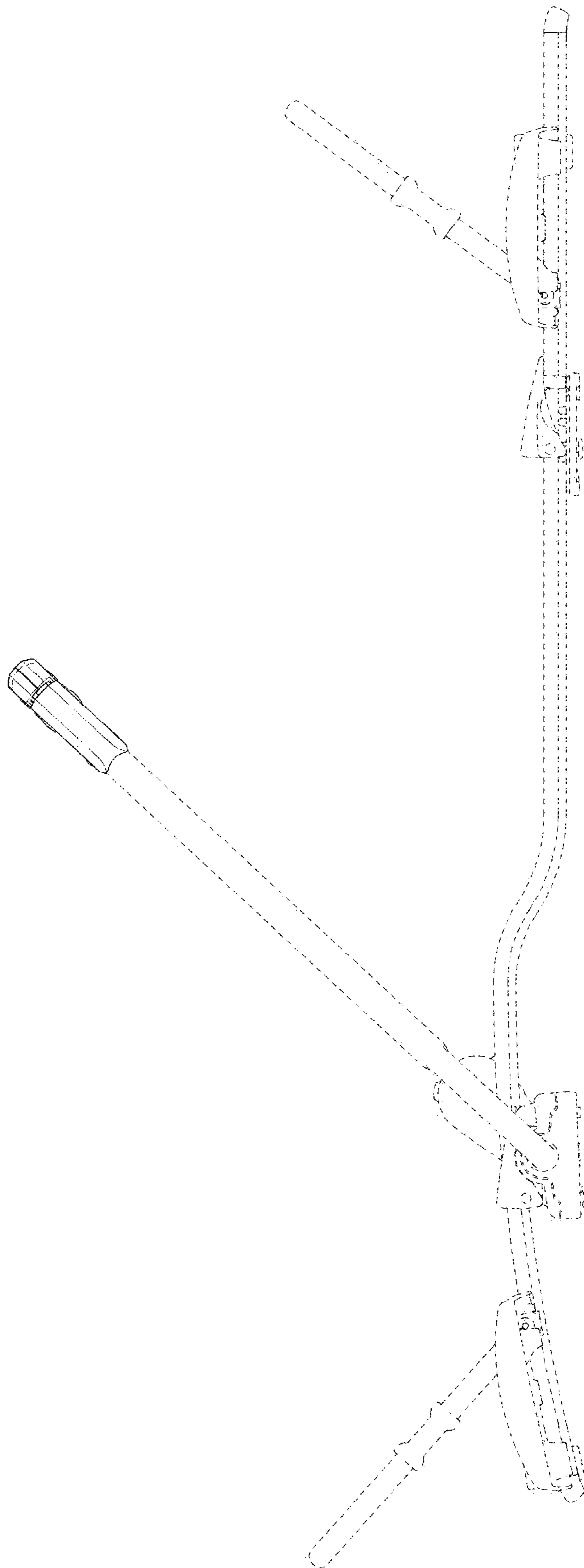


FIG. 10

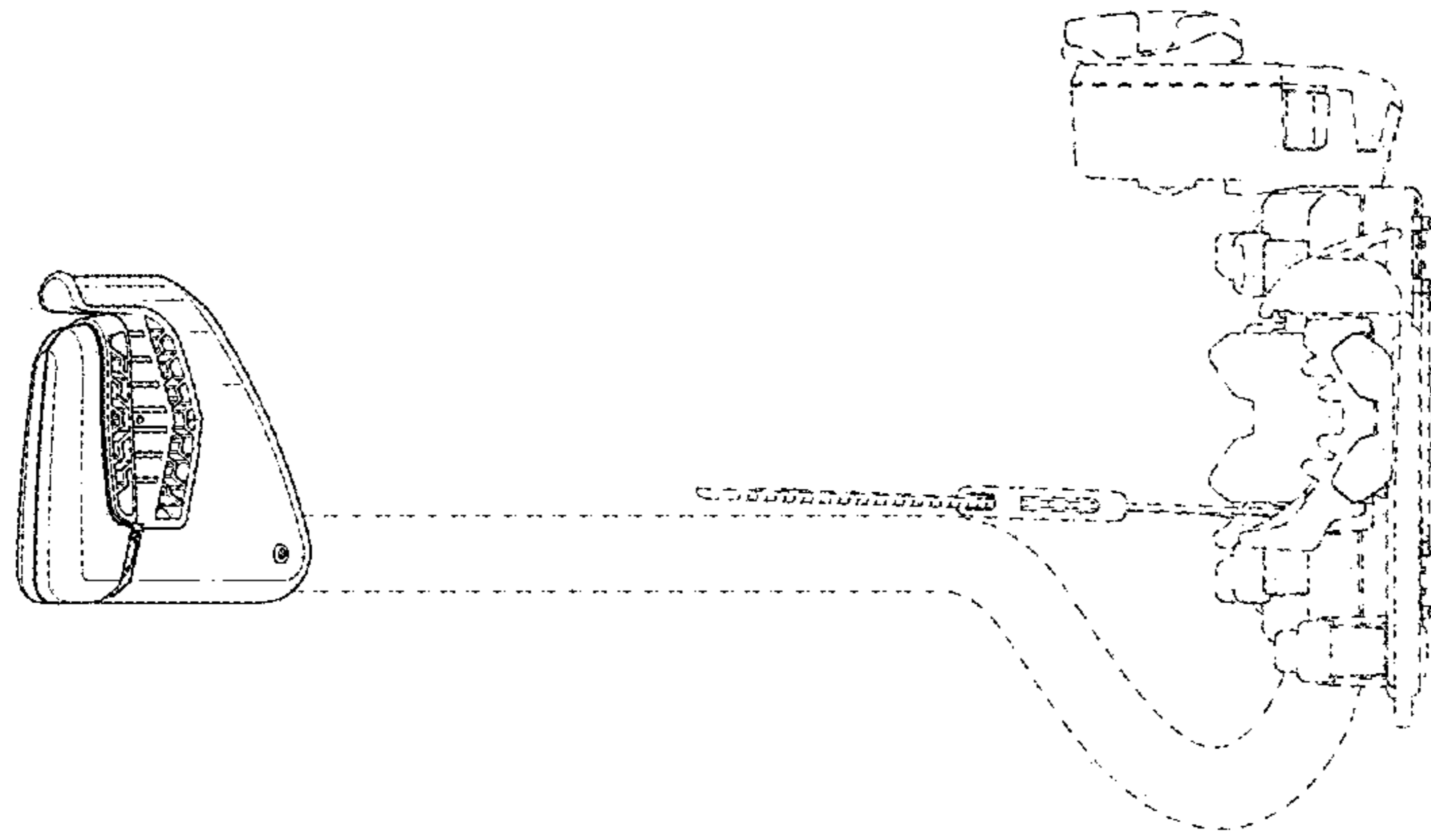


FIG. 12

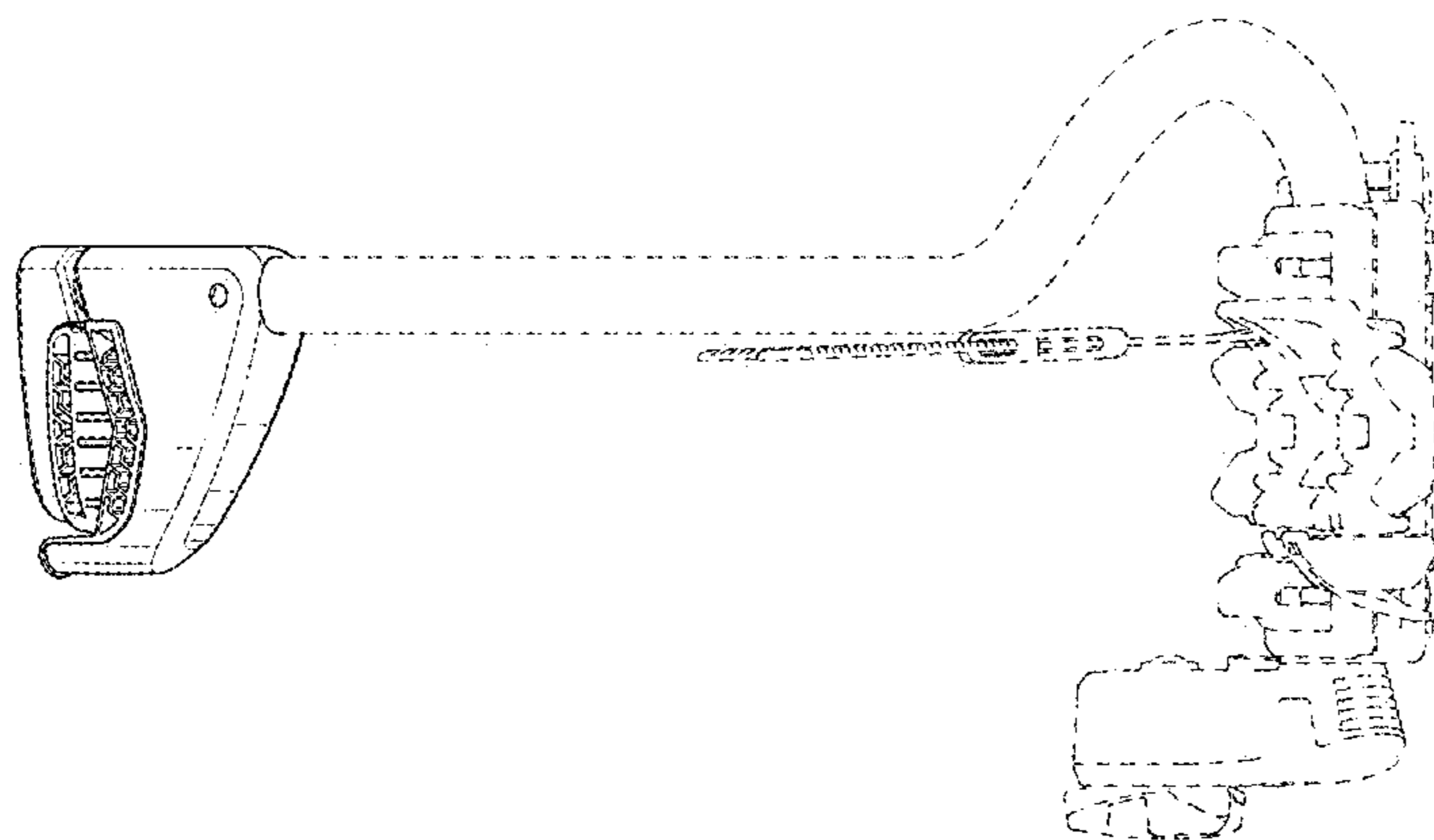


FIG. 11

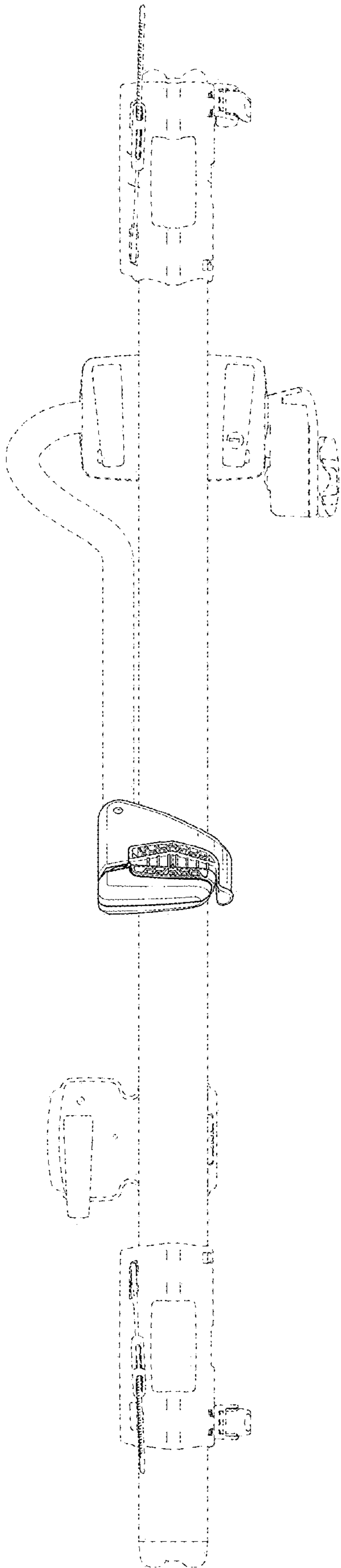


FIG. 13

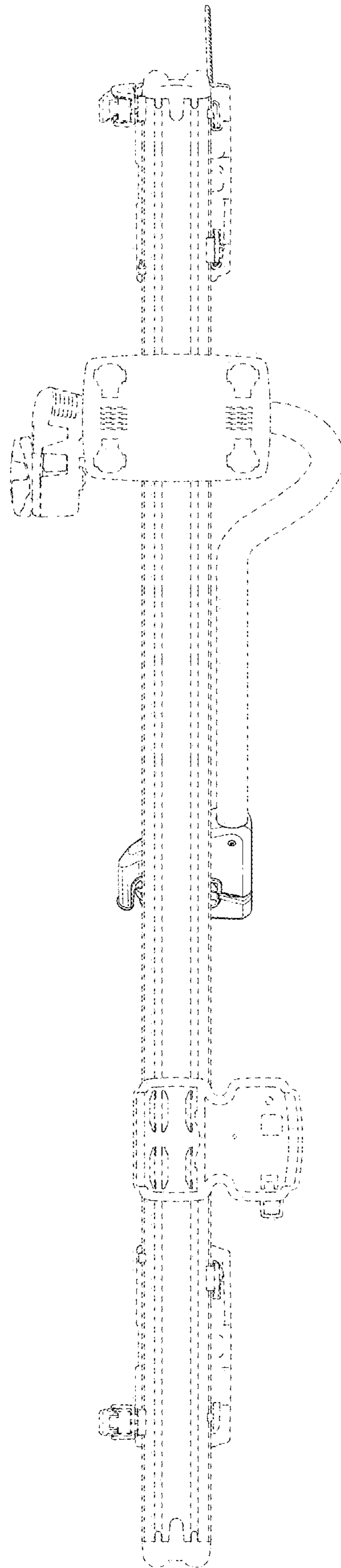


FIG. 14